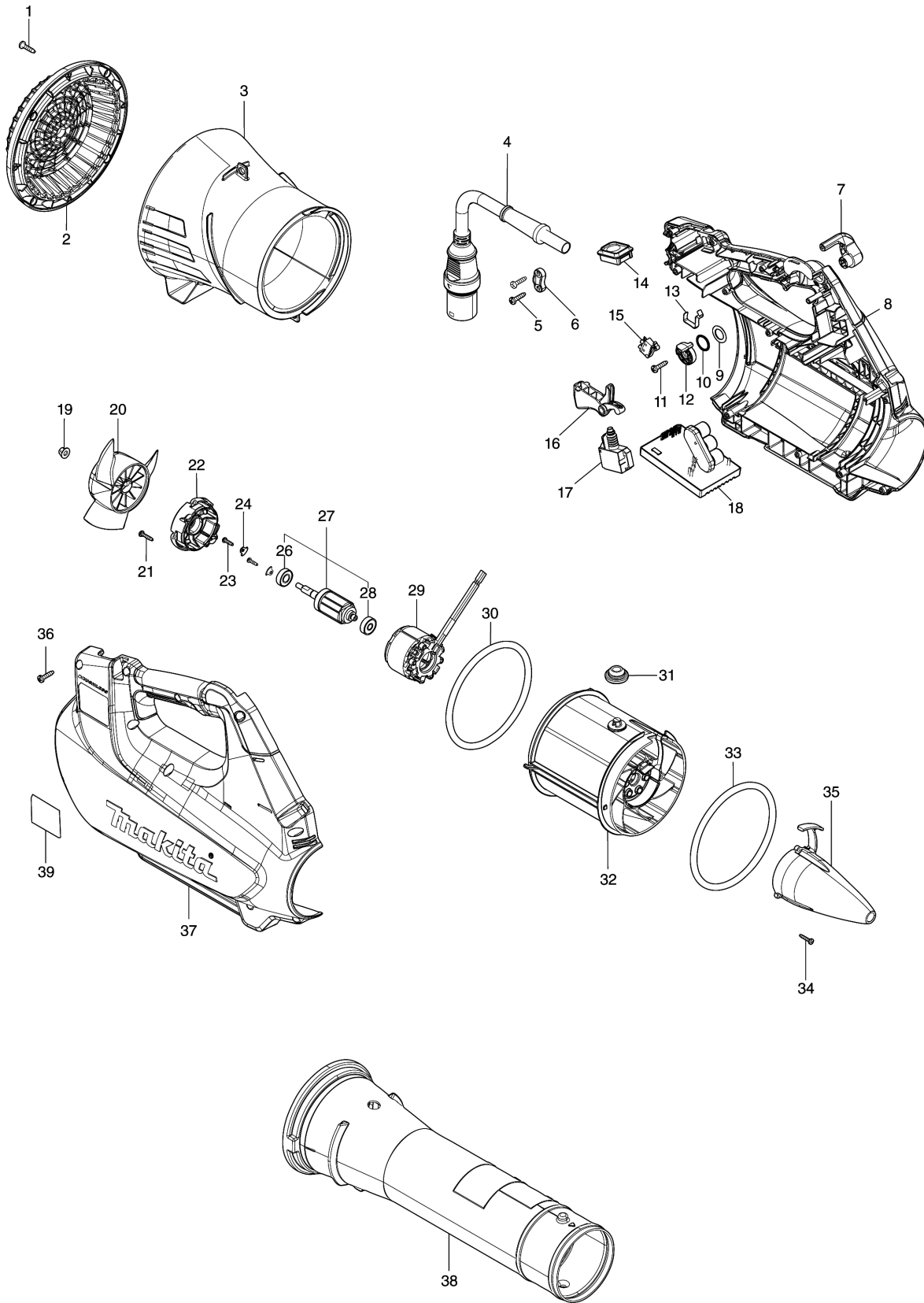


Model No.UB001C BATTERY POWERED BLOWER



Model No.UB001C BATTERY POWERED BLOWER

Item	Parts No.	Description	I/C	Qty	New/Old	Opt. 1	Opt. 2	Note
001	266326-2	TAPPING SCREW 4X18		4				
002	412749-4	REAR COVER		1				
003	140V33-6	REAR HOUSING COMPLETE		1				
004	699156-0	POWER SUPPLY CORD UNIT		1				
005	266326-2	TAPPING SCREW 4X18		2				
006	687149-9	STRAIN RELIEF		1				
007	412755-9	CONTROL LEVER		1				
008	183R61-4	HOUSING SET		1				
C10	8011Y4-4	CAUTION LABEL		1				
D10		INC. 37						
009	253798-0	FLAT WASHER 13		1				
010	213154-6	O RING 14		1				
011	266326-2	TAPPING SCREW 4X18		1				
012	412754-1	LINK		1				
013	232634-3	LEAF SPRING		1				
014	140X08-7	SWITCH CIRCUIT COMPLETE		1				
C10	810D46-0	SWITCH LABEL		1				
015	632L48-2	SWITCH UNIT		1				
016	412756-7	SWITCH LEVER		1				
017	651436-2	SWITCH C3JW-1A-P-2		1				
018	620D15-1	CONTROLLER		1				
019	252286-4	COLLARED HEX.LOCK NUT M5-8		1				
020	240177-1	FAN 110		1				
021	266130-9	TAPPING SCREW BIND PT 3X16		4				
022	412753-3	MOTOR HOUSING COVER		1				
023	265893-4	TAPPING SCREW 3X12		2				
024	347733-9	RETAINER		2				
026	210040-2	BALL BEARING 698LLU		1				
027	519639-3	ROTOR ASS'Y		1				
D10		INC. 26,28						
028	210022-4	BALL BEARING 626DDW		1				
029	629A15-0	STATOR		1				
030	424721-4	RUBBER RING 115		1				
031	424194-1	RUBBER RING 8		1				
032	412751-7	MOTOR HOUSING		1				
033	424721-4	RUBBER RING 115		1				
034	266130-9	TAPPING SCREW BIND PT 3X16		3				
035	412752-5	CAP		1				
036	266326-2	TAPPING SCREW 4X18		12				
037	183R61-4	HOUSING SET		1				
C10	8011Y4-4	CAUTION LABEL		1				

Please order the parts with part number.

Print Date 2/9/2020

Model No.UB001C BATTERY POWERED BLOWER

Item	Parts No.	Description	I/C	Qty	New/Old	Opt. 1	Opt. 2	Note
D10		INC. 8						
038	412757-5	FRONT PIPE		1				
039	857M75-6	UB001C NAME PLATE		1				
A01	191L94-9	BAND ASSEMBLY SET		1				
A02	412758-3	END NOZZLE 80		1				
E01	800A17-7	SOUND 94DB LABEL		1				

Please order the parts with part number.

Print Date 2/9/2020