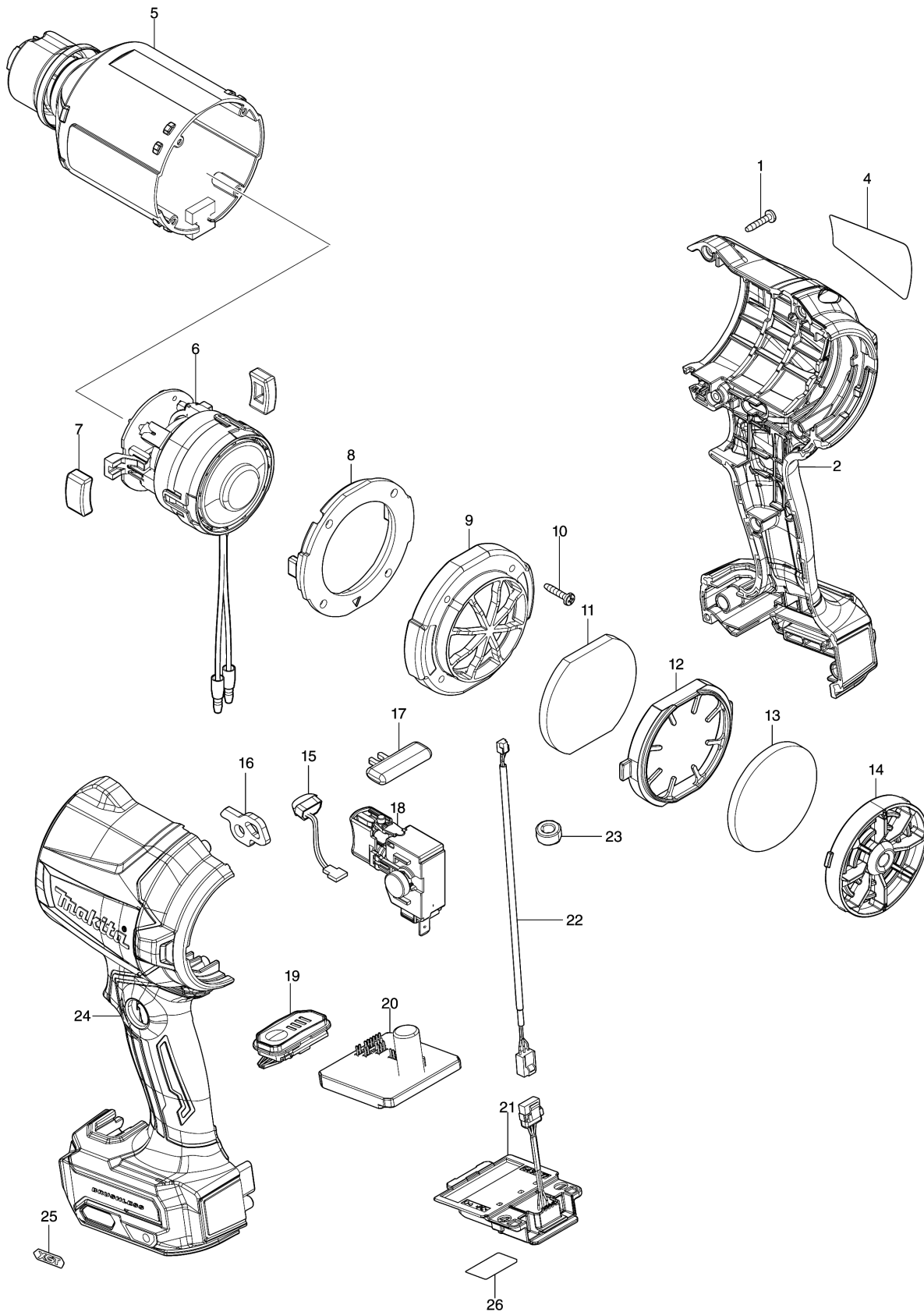


Model No.AS001G CORDLESS DUST BLOWER



Model No.AS001G CORDLESS DUST BLOWER

Item	Parts No.	Description	I/C	Qty	New/Old	Opt. 1	Opt. 2	Note
001	266130-9	TAPPING SCREW BIND PT 3X16		8				
002	191X75-5	HOUSING L/R SET		1				
C10	263005-3	RUBBER PIN 6		2				
C20	252126-6	HEX. LOCK NUT M4-7		2				
C30	8045T0-0	CAUTION LABEL		1				
D10		INC. 24						
004	8114A9-6	AS001G NAME PLATE		1				
005	141K56-1	MOTORHOUSING COMPLETE		1				
C10	422826-4	SPONGE SHEET		1				
006	629A91-4	MOTOR ASSEMBLY		1				
007	422816-7	MOTOR COVER SEAL		2				
008	422817-5	MOTOR COVER		1				
009	413C47-7	REAR COVER		1				
010	266130-9	TAPPING SCREW BIND PT 3X16		4				
011	422824-8	FILTER A		1				
012	413C49-3	FILTER HOLDER		1				
013	422825-6	FILTER B		1				
014	141G57-5	DUST CAP COMPLETE		1				
C10	263032-0	RUBBER PIN 4		2				
015	620521-2	LED CIRCUIT		1				
016	347914-5	STRAP RING		1				
017	412697-7	LOCK OFF BUTTON		1				
018	650019-5	SWITCH C3JW-4B-L		1				
019	620G89-0	INDICATION CIRCUIT COMPLETE		1				
C10	687E52-4	SWITCH PLATE COMPLETE		1				
C20	266490-9	TAPPING SCREW PT 2X6		3				
020	620G88-2	CONTROLLER		1				
021	632R99-1	TERMINAL UNIT		1				
022	638A30-3	LEAD UNIT		1				
023	688131-1	LINE FILTER		1				
024	191X75-5	HOUSING L/R SET		1				
C10	263005-3	RUBBER PIN 6		2				
C20	252126-6	HEX. LOCK NUT M4-7		2				
C30	8045T0-0	CAUTION LABEL		1				
D10		INC. 2						
025	8007R2-2	XGT LOGO LABEL		1				
026	8114B6-9	AS001G SERIAL NO. LABEL		1				
A01	191X19-5	WIDE RANGE NOZZLE SET		1				
A02	191X11-1	NOZZLE 3 SET		1				
A03	191X13-7	NOZZLE 7 SET		1				
A04	191X15-3	NOZZLE 13 SET		1				

Please order the parts with part number.

Print Date 22/11/2021

Model No.AS001G CORDLESS DUST BLOWER

Item	Parts No.	Description	I/C	Qty	New/Old	Opt. 1	Opt. 2	Note
A05	191X17-9	PINCH VAVLE NOZZLE SET		1				
A09B	***DC40RA	DC40RA FAST CHARGER		1				
D10		COMPO-PARTS						
A10B	831304-7	ACCESSORY BAG		1				
A11B	832074-1	TOOL BAG		1				
A12B	191L29-0	BATTERY BL4020 SET		1				

Please order the parts with part number.

Print Date 22/11/2021