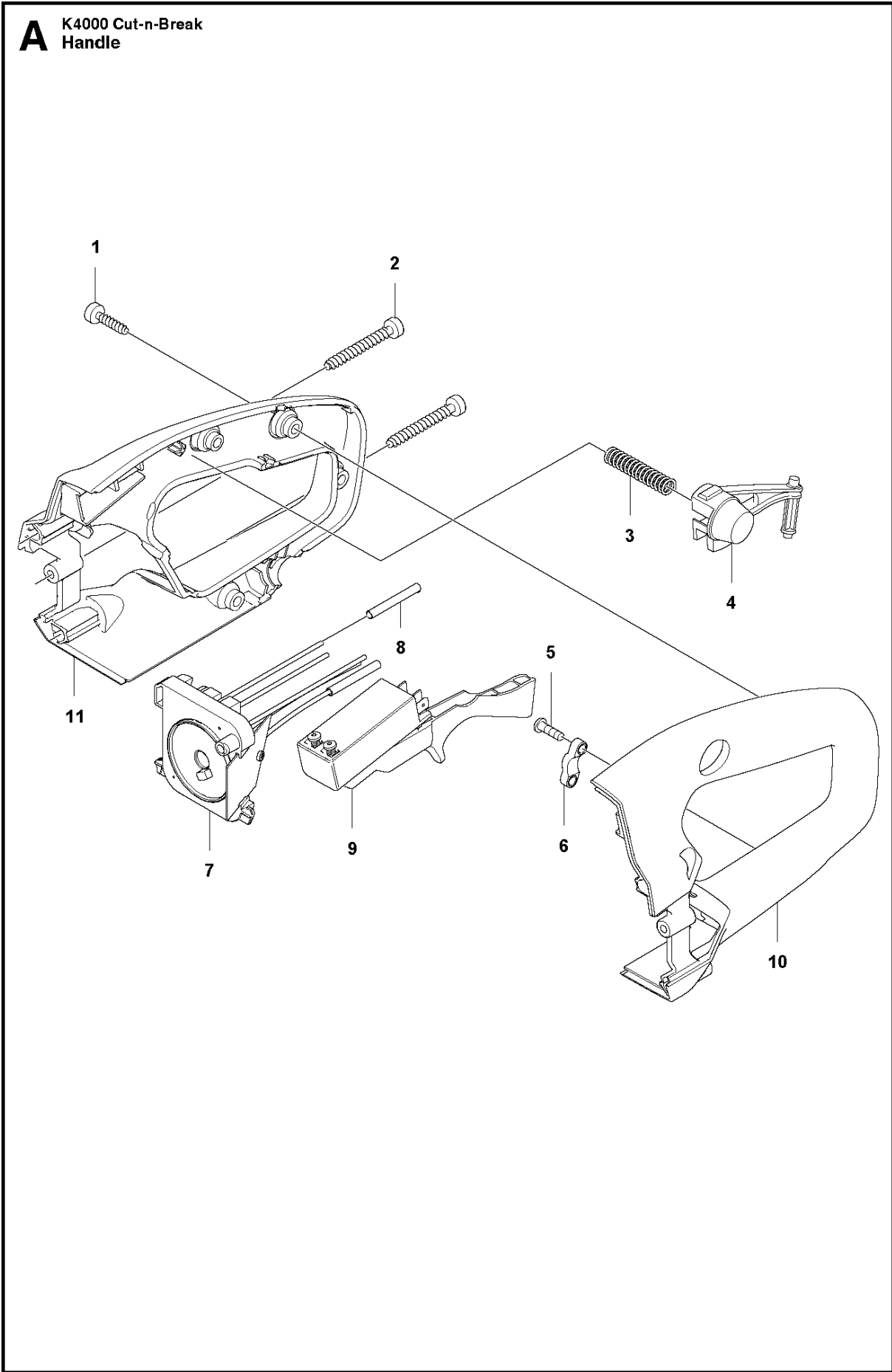




# SPARE PARTS LIST

## POWER CUTTERS

K 4000 Cut-n-Break, 2018-02

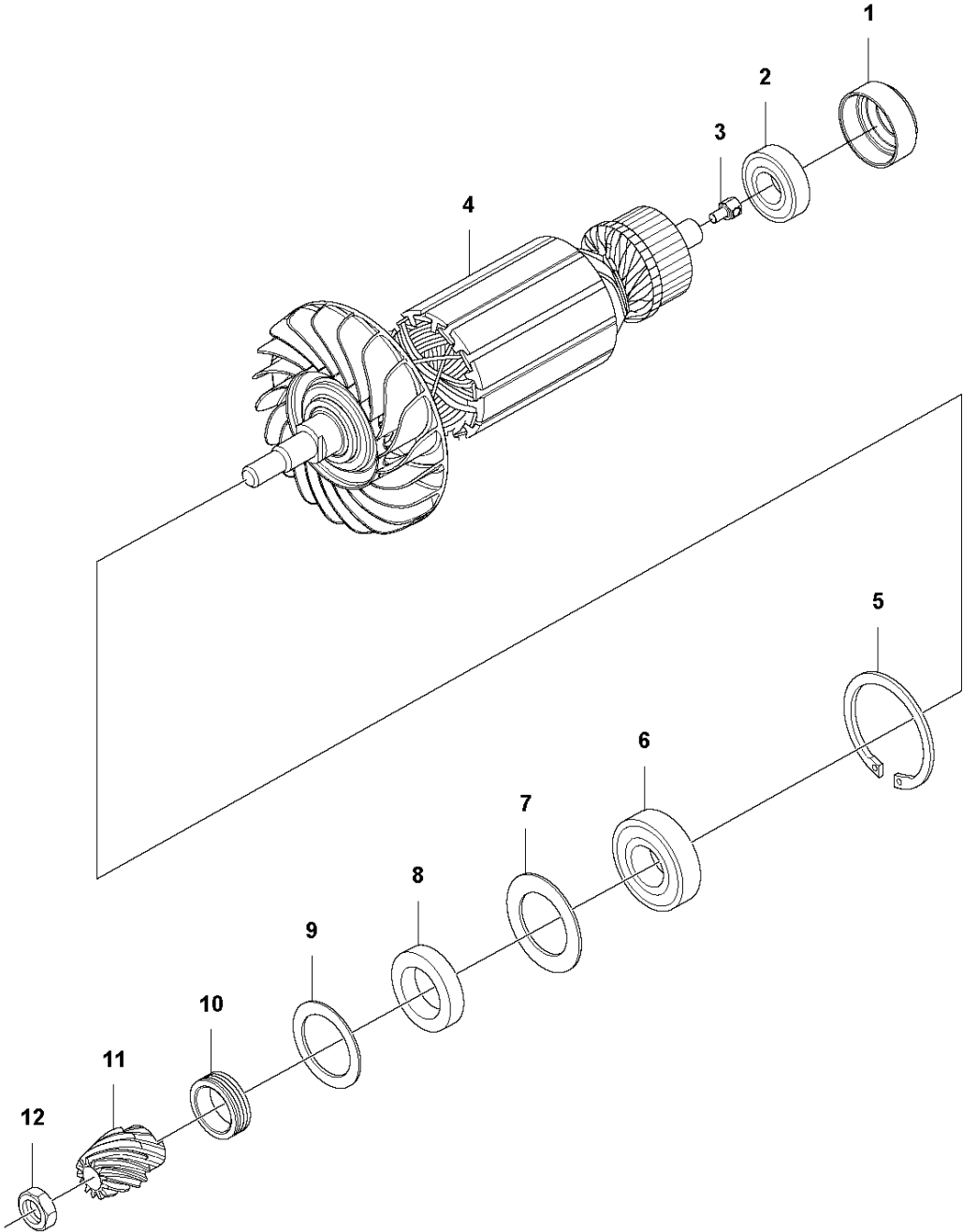


## HANDLE

K 4000 Cut-n-Break, 2018-02

| Ref | Part No      | Description    | Remark           | QTY KIT |
|-----|--------------|----------------|------------------|---------|
| 1   | 589 53 01-01 | SCREW ITXSCT   |                  | 4       |
| 2   | 589 58 33-01 | SCREW          |                  | 4       |
| 3   | 577 48 19-01 | SPRING         |                  | 1       |
| 4   | 589 65 73-02 | LOCKING BUTTON |                  | 1       |
| 5   | 590 93 57-01 | SCREW          |                  | 2       |
| 6   | 531 03 18-87 | CLIP           |                  | 1       |
| 7   | 577 01 01-05 | HOLDER ASSY    | 100-120V, incl 8 | 1       |
| 7   | 577 01 01-06 | HOLDER ASSY    | 230V, incl 8     | 1       |
| 8   | 578 03 26-01 | SLEEVE         | 100-120V         | 1       |
| 8   | 578 03 24-01 | SLEEVE         | 230V             | 2       |
| 9   | 531 03 18-83 | SWITCH         |                  | 1       |
| 10  | 582 33 02-01 | HANDLE HALF    |                  | 1       |
| 11  | 582 33 03-01 | HANDLE HALF    |                  | 1       |

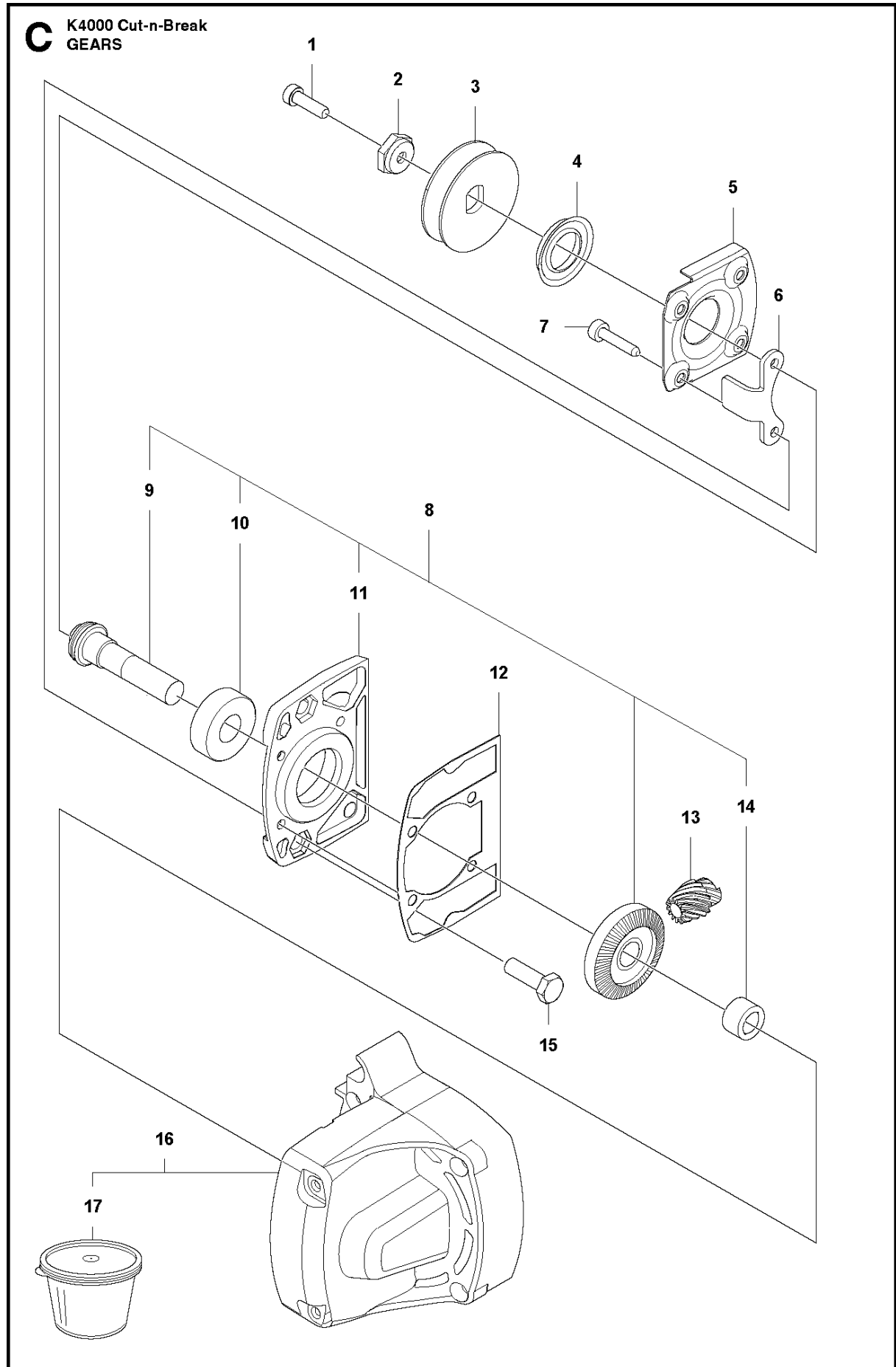
**B** K4000 Cut-n-Break  
MOTOR



## MOTOR

K 4000 Cut-n-Break, 2018-02

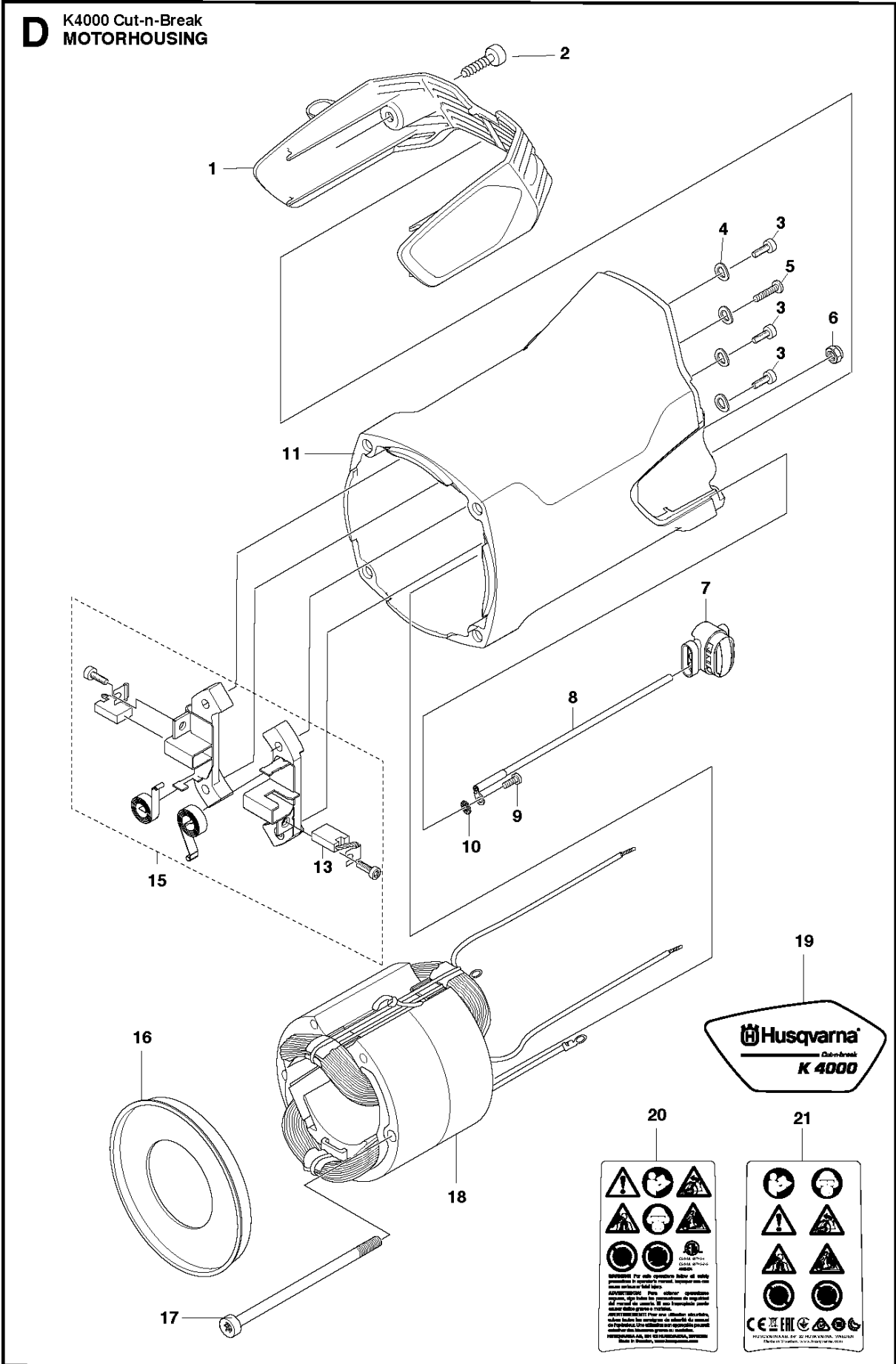
| Ref | Part No      | Description    | Remark   | QTY KIT |
|-----|--------------|----------------|----------|---------|
| 1   | 577 06 66-01 | RUBBER BUSHING |          | 1       |
| 2   | 503 25 09-01 | BEARING        |          | 1       |
| 3   | 579 25 62-01 | SCREW          |          | 1       |
| 4   | 582 58 66-02 | ROTOR          | 100-120V | 1       |
| 4   | 582 58 66-01 | ROTOR          | 230V     | 1       |
| 5   | 735 31 33-10 | CIRCLIP        |          | 1       |
| 6   | 531 07 39-44 | BALL BEARING   |          | 1       |
| 7   | 505 53 03-16 | SPACER         |          | 1       |
| 8   | 505 53 03-41 | FELT           |          | 1       |
| 9   | 505 53 03-52 | SPACER         |          | 1       |
| 10  | 505 53 03-19 | SPACER         |          | 1       |
| 11  | 505 45 41-01 | PINION         |          | 1       |
| 12  | 523 12 24-02 | NUT            |          | 1       |



## GEARS

K 4000 Cut-n-Break, 2018-02

| Ref | Part No      | Description      | Remark       | QTY KIT |
|-----|--------------|------------------|--------------|---------|
| 1   | 544 21 84-20 | SCREW ITXSCM     |              | 1       |
| 2   | 504 03 83-01 | SPACING SLEEVE   |              | 1       |
| 3   | 544 43 39-01 | DRIVING PULLEY   |              | 1       |
| 4   | 506 32 06-01 | SEALING          |              | 1       |
| 5   | 544 43 41-01 | FLANGE           |              | 1       |
| 6   | 544 43 37-01 | BRACKET          |              | 1       |
| 7   | 503 21 53-25 | SCREW ITXSCM     |              | 4       |
| 8   | 544 42 66-01 | GEAR SET         | Incl. 9 - 11 | 1       |
| 9   | 544 42 64-01 | GEAR WHEEL SHAFT |              | 1       |
| 10  | 583 95 33-01 | BALL BEARING     |              | 1       |
| 11  | 588 07 35-01 | GEAR HOUSING     |              | 1       |
| 12  | 504 11 03-03 | GASKET           |              | 1       |
| 13  | 505 45 41-01 | PINION           |              | 1       |
| 14  | 503 25 53-01 | NEEDLE BEARING   |              | 1       |
| 15  | 725 24 53-71 | SCREW EHHM       |              | 2       |
| 16  | 574 21 43-03 | GEAR HOUSING     | Incl. 17     | 1       |
| 17  | 574 20 30-01 | GREASE           |              | 1       |

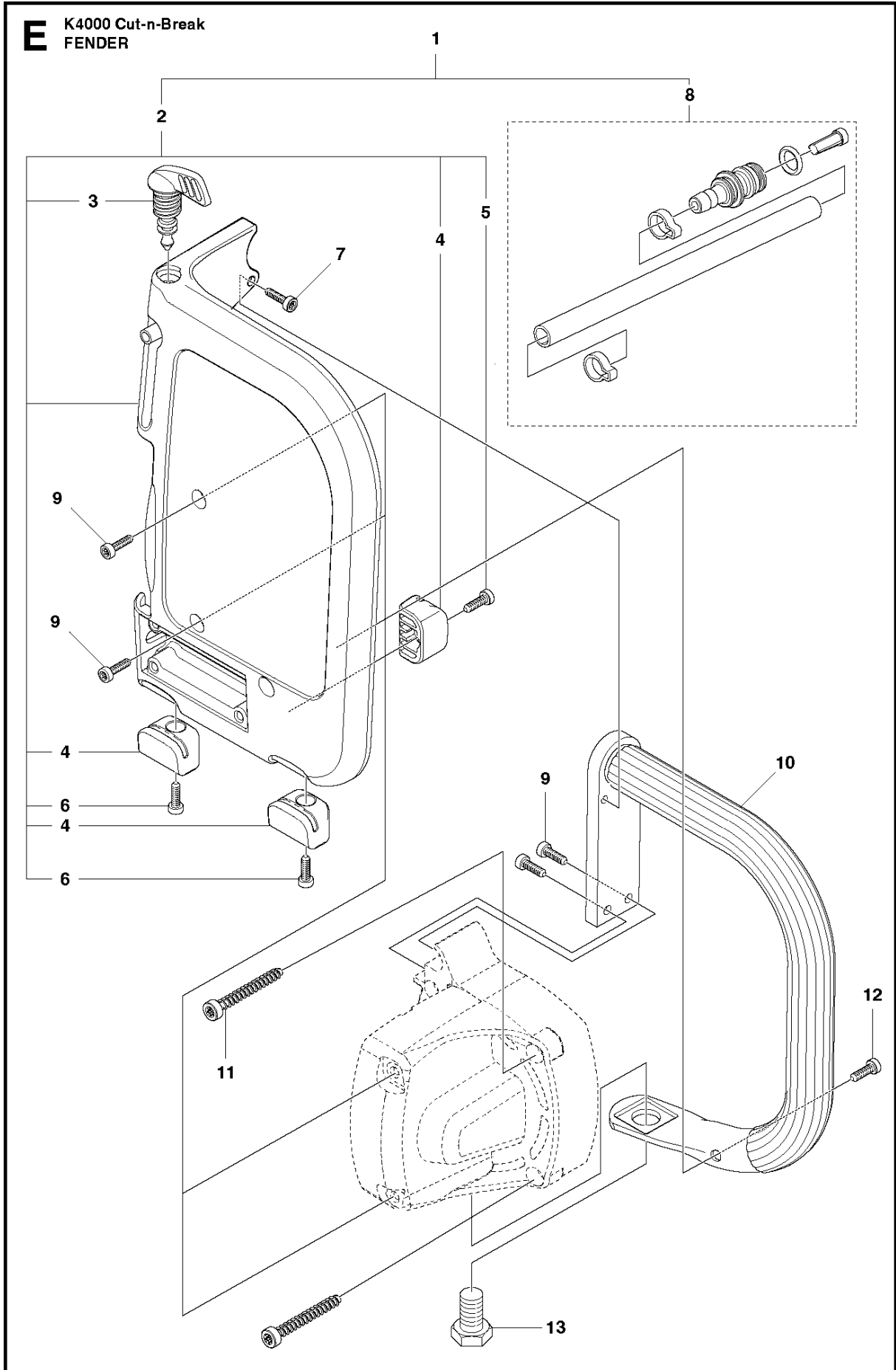




## MOTOR HOUSING

K 4000 Cut-n-Break, 2018-02

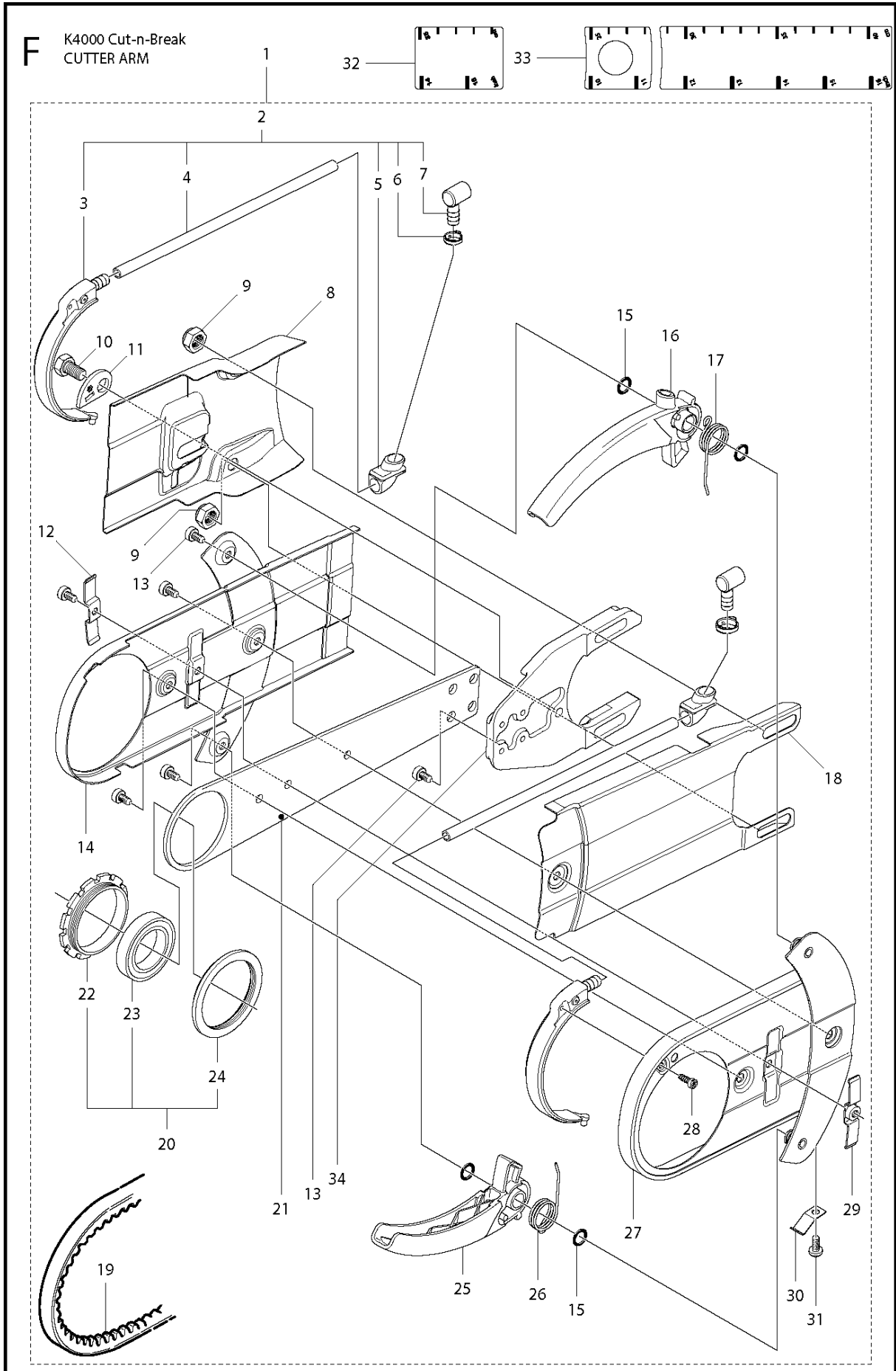
| Ref | Part No      | Description         | Remark   | QTY | KIT |
|-----|--------------|---------------------|----------|-----|-----|
| 1   | 582 33 94-02 | COVER               |          | 1   |     |
| 2   | 589 53 01-01 | SCREW ITXSCT        |          | 2   |     |
| 3   | 574 35 35-05 | SCREW ITXSCM        |          | 3   |     |
| 4   | 735 11 36-50 | SPRING WASHER       |          | 4   |     |
| 5   | 574 35 35-07 | SCREW ITXSCM        |          | 1   |     |
| 6   | 732 25 14-01 | HEXAGON LOCKING NUT |          | 2   |     |
| 7   | 501 98 02-01 | COUPLER             |          | 1   |     |
| 8   | 577 38 40-01 | CABLE ASSY          |          | 1   |     |
| 9   | 589 78 68-01 | SCREW               |          | 1   |     |
| 10  | 735 21 24-01 | LOCKWASHER          |          | 1   |     |
| 11  | 582 33 50-01 | MOTOR HOUSING       |          | 1   |     |
| 13  | 589 91 12-02 | CARBON BRUSH        | 120V     | 1   | 15  |
| 13  | 589 91 12-01 | CARBON BRUSH        | 230V     | 1   | 15  |
| 15  | 581 05 85-05 | BRUSH HOLDER        | 230V     | 1   |     |
| 15  | 581 05 85-06 | BRUSH HOLDER        | 120V     | 1   |     |
| 16  | 505 53 03-07 | AIR STREAM DIRECTOR |          | 1   |     |
| 17  | 503 21 53-96 | SCREW ITXSCM        |          | 2   |     |
| 18  | 582 58 41-02 | STATOR ASSY         | 100-120V | 1   |     |
| 18  | 582 58 41-01 | STATOR ASSY         | 230V     | 1   |     |
| 19  | 589 60 93-02 | DECAL               |          | 1   |     |
| 20  | 589 60 95-01 | DECAL               | US       | 1   |     |
| 21  | 589 60 95-02 | DECAL               | RoW      | 1   |     |



## HANDLE

K 4000 Cut-n-Break, 2018-02

| Ref | Part No      | Description       | Remark     | QTY KIT |
|-----|--------------|-------------------|------------|---------|
| 1   | 504 61 28-02 | FENDER            | Incl. 2, 8 | 1       |
| 2   | 504 61 28-03 | FENDER            | Incl. 3-6  | 1       |
| 3   | 505 52 42-01 | VALVE SPINDLE     |            | 1       |
| 4   | 544 98 32-01 | GROUND SUPPORT    |            | 3       |
| 5   | 504 90 94-10 | SCREW ITXSCT      |            | 1       |
| 6   | 504 90 94-14 | SCREW ITXSCT      |            | 2       |
| 7   | 503 21 53-10 | SCREW ITXSCM      |            | 1       |
| 8   | 575 51 62-02 | HOSE ASSY         |            | 1       |
| 9   | 503 21 53-16 | SCREW ITXSCM      |            | 4       |
| 10  | 540 01 83-01 | FRONT HANDLE ASSY |            | 1       |
| 11  | 589 58 33-01 | SCREW             |            | 4       |
| 12  | 504 90 94-25 | SCREW ITXSCT      |            | 1       |
| 13  | 531 03 12-76 | SCREW             |            | 1       |

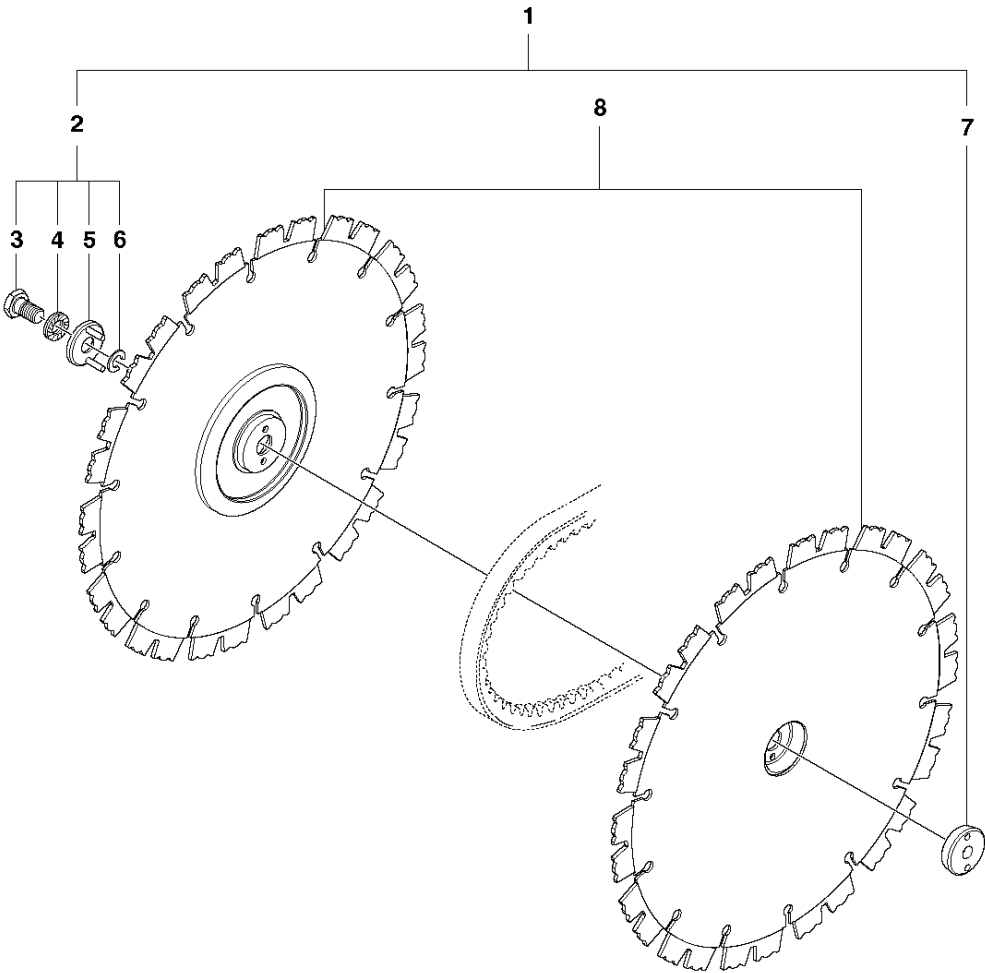


## CUTTER ARM

K 4000 Cut-n-Break, 2018-02

| Ref | Part No      | Description        | Remark        | QTY KIT |
|-----|--------------|--------------------|---------------|---------|
| 1   | 504 61 31-02 | CUTTER ARM         | Incl. 2 - 34  | 1       |
| 2   | 544 10 50-05 | HOSE               | Incl. 3 - 7   | 1       |
| 3   | 504 87 52-01 | SEALING            |               | 1       |
| 4   | 581 89 38-02 | HOSE               |               | 1       |
| 5   | 506 40 57-02 | GROMMET            |               | 1       |
| 6   | 506 09 56-05 | HOSE CLAMP         |               | 1       |
| 7   | 506 40 98-02 | NIPPLE             |               | 1       |
| 8   | 544 95 24-01 | BELT GUARD         |               | 1       |
| 9   | 731 23 18-01 | HEXAGON NUT        |               | 2       |
| 10  | 725 24 45-71 | SCREW EHHM         |               | 1       |
| 11  | 544 42 98-01 | ECCENTRIC          |               | 1       |
| 12  | 506 40 56-01 | DEFLECTION LIMITER |               | 1       |
| 13  | 503 21 53-10 | SCREW ITXSCM       |               | 9       |
| 14  | 544 42 15-01 | BELT GUARD ASSY    |               | 1       |
| 15  | 503 26 30-08 | O-RING             |               | 4       |
| 16  | 506 40 64-03 | BLADE GUARD        |               | 1       |
| 17  | 506 40 61-01 | SPRING             |               | 1       |
| 18  | 544 42 14-01 | BELT GUARD ASSY    |               | 1       |
| 19  | 506 37 27-20 | BELT               |               | 1       |
| 20  | 593 99 27-01 | SERVICE KIT        | Incl. 22 - 24 | 1       |
| 21  | 574 44 75-01 | BAR PLATE          |               | 1       |
| 22  | 506 40 28-02 | BEARING CAGE       |               | 1       |
| 23  | 544 10 59-01 | BEARING            |               | 1       |
| 24  | 506 40 29-02 | BUSHING            |               | 1       |
| 25  | 506 40 65-02 | BLADE GUARD        |               | 1       |
| 26  | 506 40 61-02 | SPRING             |               | 1       |
| 27  | 506 40 46-03 | WEAR PROTECTION    |               | 1       |
| 28  | 503 21 28-10 | SCREW CCRPANT      |               | 1       |
| 29  | 506 40 56-02 | DEFLECTION LIMITER |               | 1       |
| 30  | 506 40 51-01 | STOP               |               | 1       |
| 31  | 724 12 84-01 | SCREW CRPANM       |               | 1       |
| 32  | 505 47 37-01 | LABEL              |               | 1       |
| 33  | 544 37 44-02 | LABEL              |               | 1       |
| 34  | 522 47 27-01 | BAR BRACKET        |               | 1       |

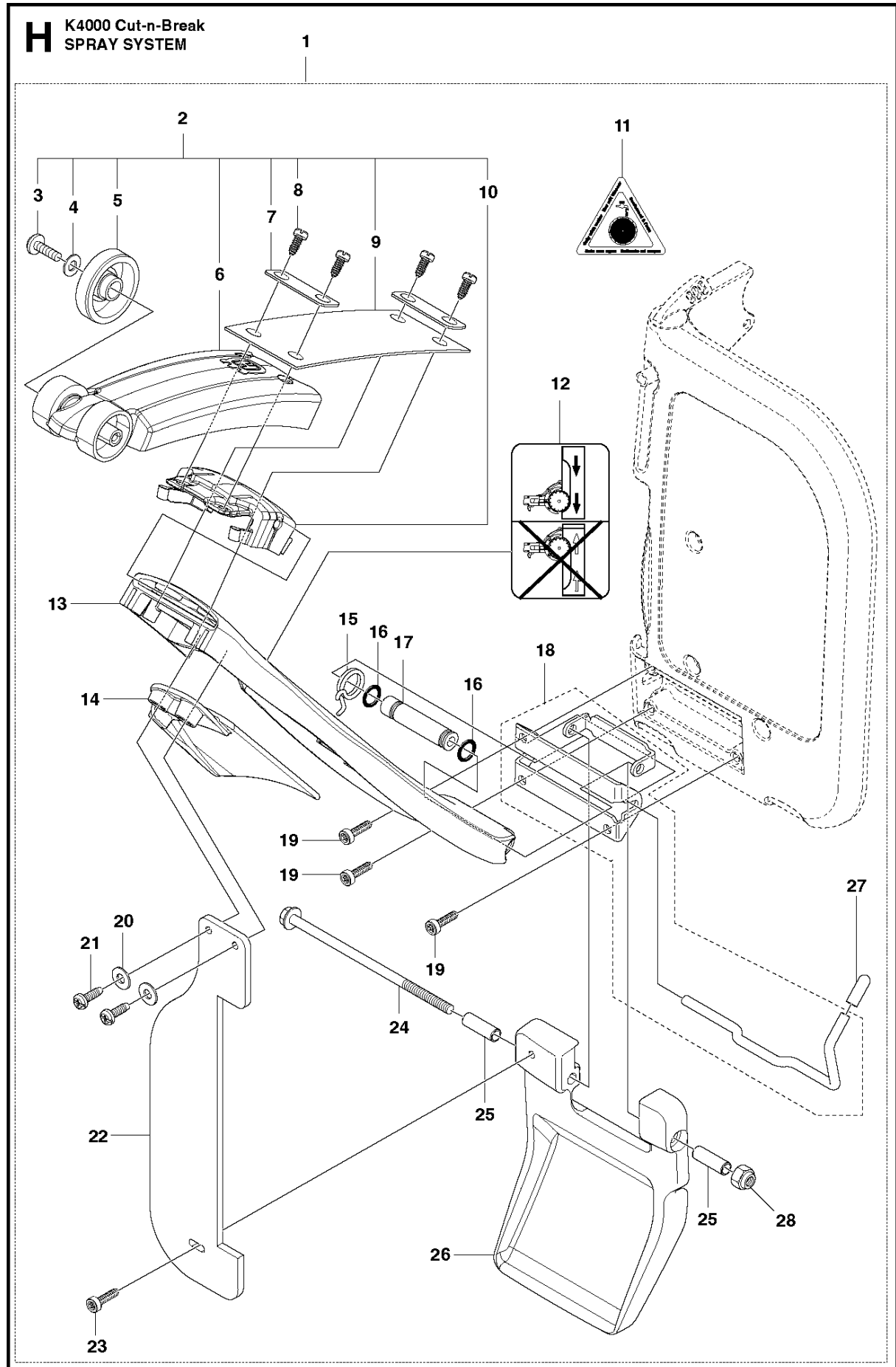
**G** K4000 Cut-n-Break  
CUTTING BLADE



CUTTING BLADE

K 4000 Cut-n-Break, 2018-02

| Ref | Part No      | Description   | Remark     | QTY KIT |
|-----|--------------|---------------|------------|---------|
| 1   | 501 00 88-06 | SCREW KIT     | Incl. 2, 7 | 1       |
| 2   | 501 00 88-01 | SCREW KIT     | Incl. 3-6  | 1       |
| 3   | 506 40 25-02 | SCREW         |            | 1       |
| 4   | 503 23 04-03 | WASHER        |            | 1       |
| 5   | 544 26 53-01 | WASHER        |            | 1       |
| 6   | 735 31 10-41 | RETAINER RING |            | 1       |
| 7   | 506 40 24-01 | NUT           |            | 1       |
| 8   | 574 83 62-01 | DIAMOND BLADE | EL10CnB    | 1       |
| 8   | 574 83 62-02 | DIAMOND BLADE | EL35CNB    | 1       |
| 8   | 574 83 62-03 | DIAMOND BLADE | EL70CnB    | 1       |

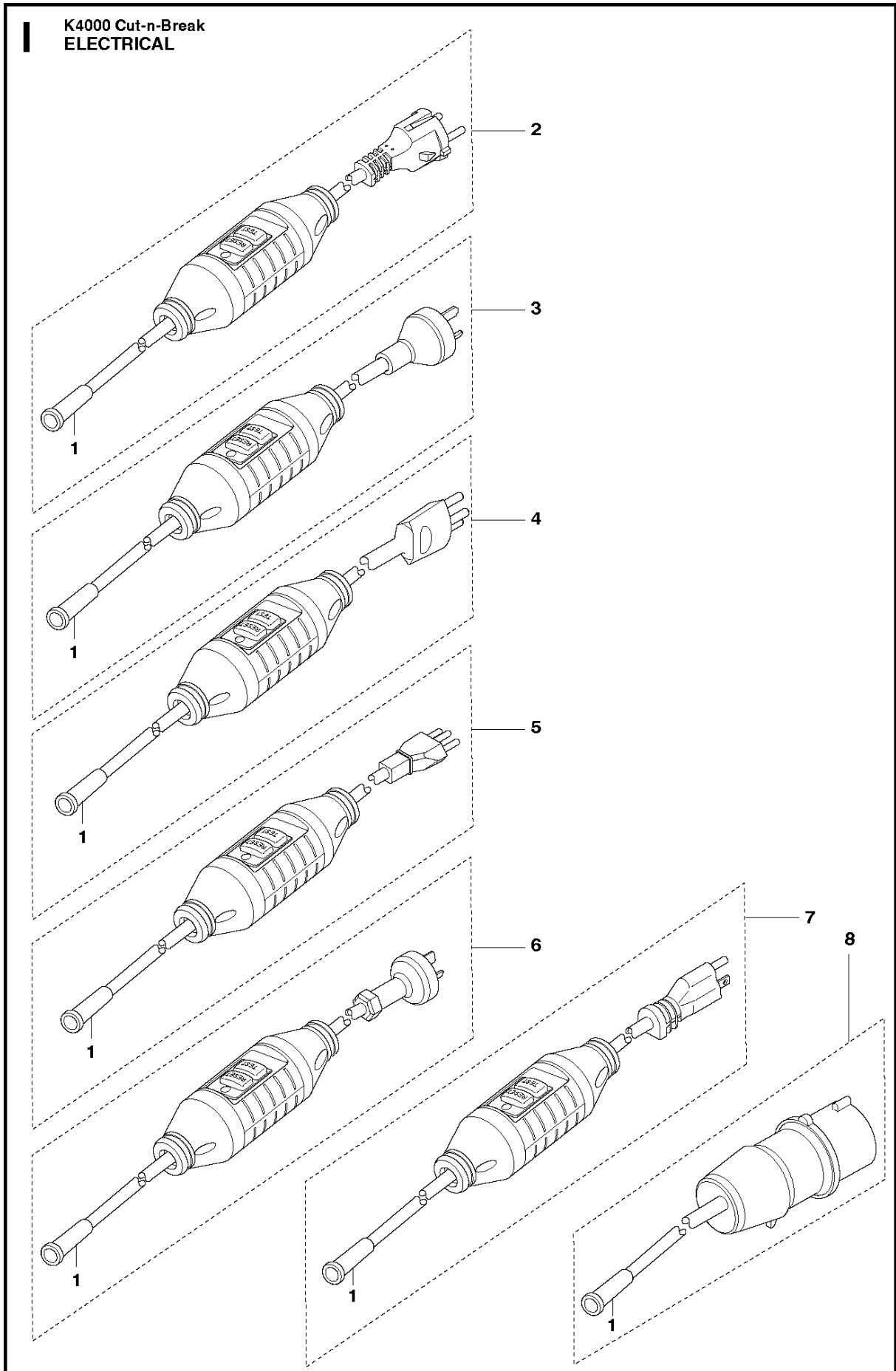




## SPRAY SYSTEM

K 4000 Cut-n-Break, 2018-02

| Ref | Part No      | Description   | Remark           | QTY KIT |
|-----|--------------|---------------|------------------|---------|
| 1   | 504 61 29-02 | SPRAY GUARD   | Incl. 2, 11 - 28 | 1       |
| 2   | 510 05 66-01 | SPRAY GUARD   | Incl. 3 - 10     | 1       |
| 3   | 503 21 46-01 | SCREW         |                  | 2       |
| 4   | 734 48 80-01 | WASHER        |                  | 2       |
| 5   | 506 26 22-02 | WHEEL         |                  | 2       |
| 6   | 510 00 72-01 | SPRAY GUARD   |                  | 1       |
| 7   | 510 20 20-01 | WASHER        |                  | 2       |
| 8   | 503 21 27-16 | SCREW CRPANT  |                  | 4       |
| 9   | 510 20 24-01 | BAND          |                  | 1       |
| 10  | 510 00 73-01 | GUIDE         |                  | 1       |
| 11  | 504 79 36-01 | LABEL         |                  | 1       |
| 12  | 522 03 81-01 | DECAL         |                  | 1       |
| 13  | 544 97 60-02 | SPRAY GUARD   |                  | 1       |
| 14  | 504 04 94-01 | SPRAY GUARD   |                  | 1       |
| 15  | 506 40 60-01 | SPRING        |                  | 1       |
| 16  | 740 42 05-00 | O-RING        |                  | 2       |
| 17  | 506 40 37-01 | BUSHING       |                  | 1       |
| 18  | 587 29 30-01 | RETAINER      |                  | 1       |
| 19  | 504 90 94-14 | SCREW ITXSCT  |                  | 3       |
| 20  | 503 23 00-11 | WASHER        |                  | 2       |
| 21  | 503 21 27-13 | SCREW CCRPANT |                  | 2       |
| 22  | 525 83 37-01 | SPRAY GUARD   |                  | 1       |
| 23  | 510 26 92-16 | SCREW ITXSCT  |                  | 1       |
| 24  | 503 21 53-96 | SCREW ITXSCM  |                  | 1       |
| 25  | 522 55 85-01 | GUIDE BUSHING |                  | 2       |
| 26  | 505 14 86-01 | FENDER        |                  | 1       |
| 27  | 505 38 88-01 | COVER LID     |                  | 1       |
| 28  | 503 22 24-01 | LOCK NUT      |                  | 1       |

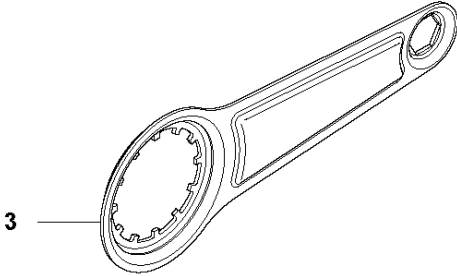
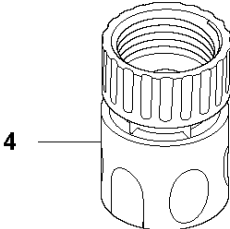
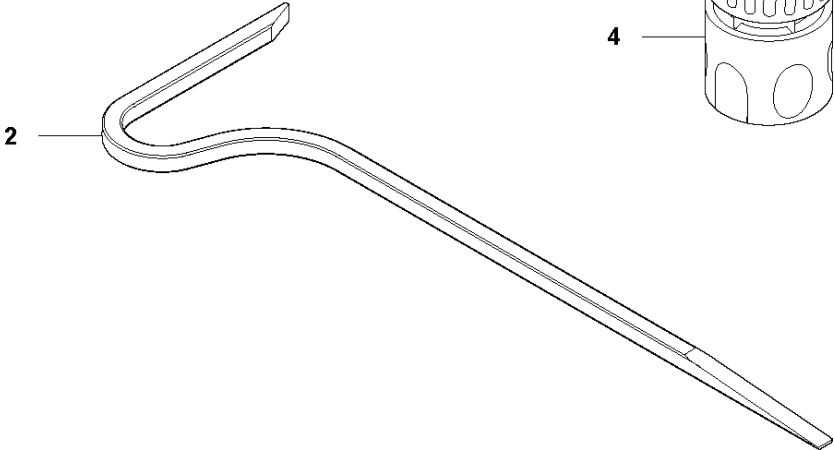
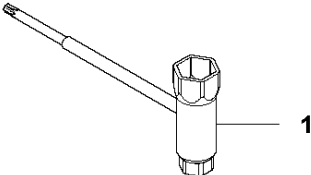


ELECTRICAL

K 4000 Cut-n-Break, 2018-02

| Ref | Part No      | Description  | Remark                           | QTY KIT |
|-----|--------------|--------------|----------------------------------|---------|
| 1   | 575 81 10-01 | CABLE SLEEVE |                                  | 1       |
| 2   | 594 00 56-01 | CABLE ASSY   | 230V PRCD, incl 1                | 1       |
| 3   | 594 00 56-06 | CABLE ASSY   | 110V PRCD, AU, incl 1            | 1       |
| 4   | 594 00 56-05 | CABLE ASSY   | 230V PRCD, CH, incl 1            | 1       |
| 5   | 594 00 56-07 | CABLE ASSY   | 230V PRCD, BR, incl 1            | 1       |
| 6   | 594 00 56-02 | CABLE ASSY   | 230V PRCD, CN, incl 1            | 1       |
| 7   | 594 00 56-03 | CABLE ASSY   | 100-120V PRCD, JP, US,<br>incl 1 | 1       |
| 8   | 591 06 10-04 | CABLE ASSY   | UK                               | 1       |

**J** K4000 Cut-n-Break  
TOOLS



## TOOLS

K 4000 Cut-n-Break, 2018-02

| Ref | Part No      | Description | Remark | QTY KIT |
|-----|--------------|-------------|--------|---------|
| 1   | 506 38 26-01 | TOOL        |        | 2       |
| 2   | 544 17 80-03 | TOOL        |        | 1       |
| 3   | 544 17 81-01 | PULLER      |        | 1       |
| 4   | 503 26 60-03 | COUPLER     | USA    | 1       |
| 4   | 503 26 60-04 | COUPLER     | RoW    | 1       |