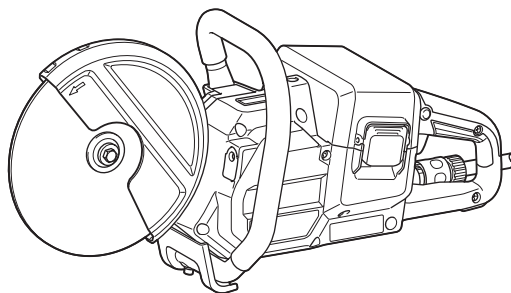
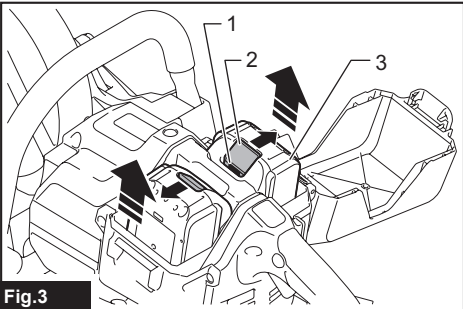
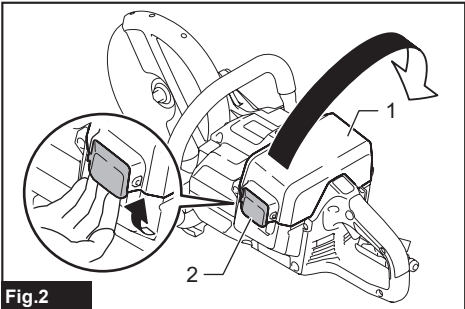
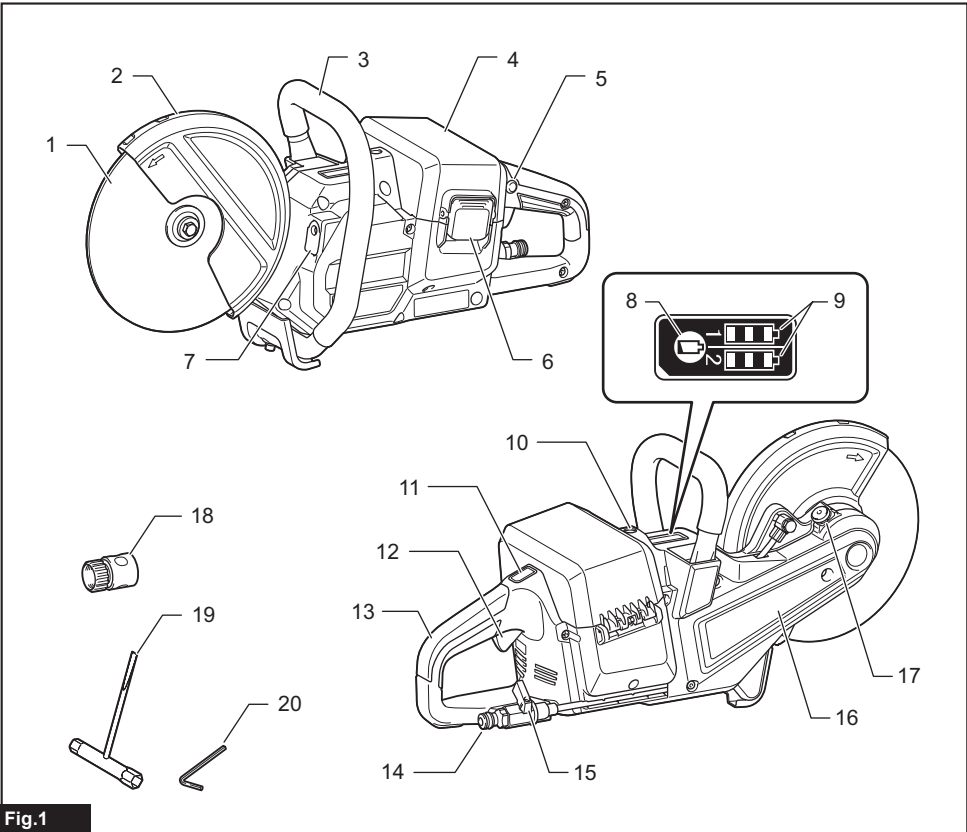




<b>EN</b>	<b>Cordless Power Cutter</b>	<b>INSTRUCTION MANUAL</b>	<b>7</b>
<b>FR</b>	<b>Découpeuse sans fil</b>	<b>MANUEL D'INSTRUCTIONS</b>	<b>16</b>
<b>DE</b>	<b>Akku-Trennschleifer</b>	<b>BETRIEBSANLEITUNG</b>	<b>25</b>
<b>IT</b>	<b>Mototroncatrice a batteria</b>	<b>ISTRUZIONI PER L'USO</b>	<b>35</b>
<b>NL</b>	<b>Accuslijpmachine</b>	<b>GEBRUIKSAANWIJZING</b>	<b>45</b>
<b>ES</b>	<b>Cortadora de Concreto Inalámbrica</b>	<b>MANUAL DE INSTRUCCIONES</b>	<b>54</b>
<b>PT</b>	<b>Cortadora a Bateria</b>	<b>MANUAL DE INSTRUÇÕES</b>	<b>64</b>
<b>DA</b>	<b>Akku sav</b>	<b>BRUGSANVISNING</b>	<b>73</b>
<b>EL</b>	<b>Φορητός κόπτης ισχύος</b>	<b>ΕΓΧΕΙΡΙΔΙΟ ΟΔΗΓΙΩΝ</b>	<b>82</b>
<b>TR</b>	<b>Akülü Kesim Makinası</b>	<b>KULLANMA KILAVUZU</b>	<b>92</b>

## DCE090





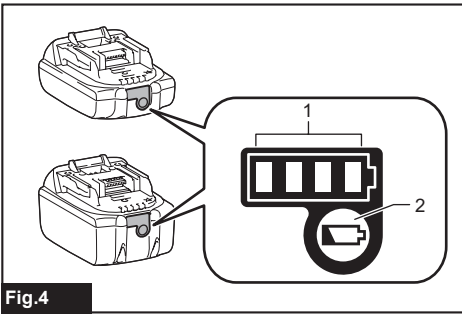


Fig.4

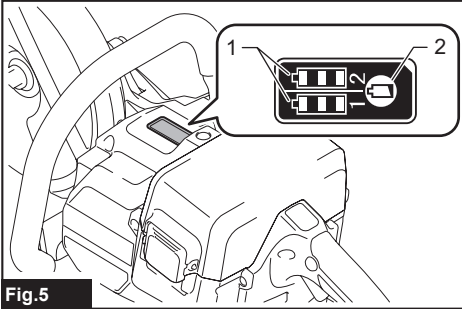


Fig.5

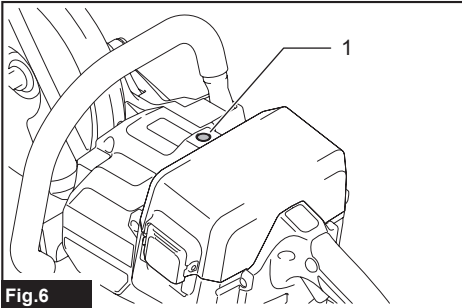


Fig.6

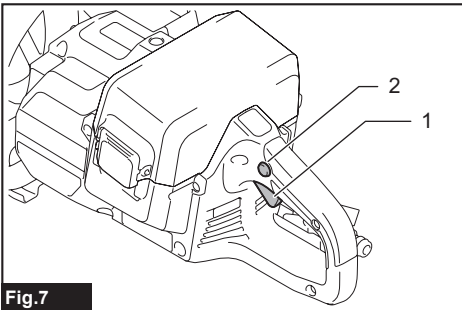


Fig.7

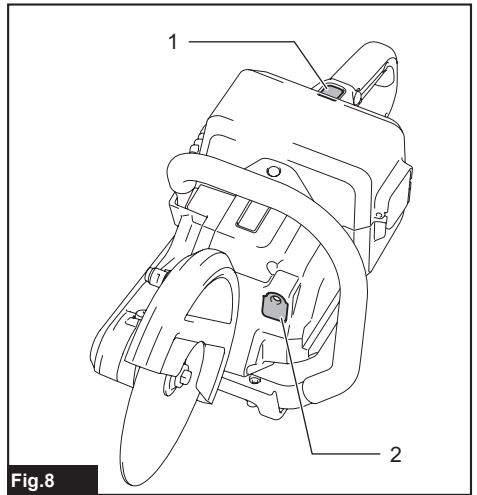


Fig.8

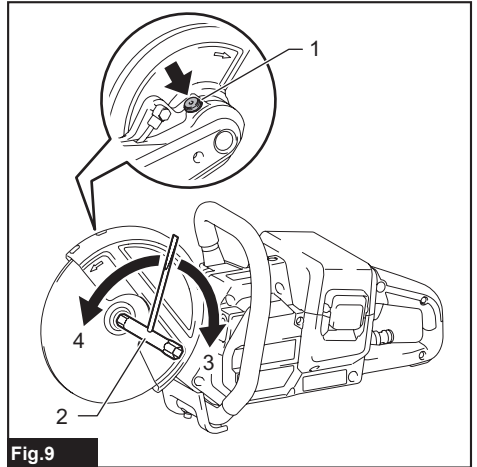


Fig.9

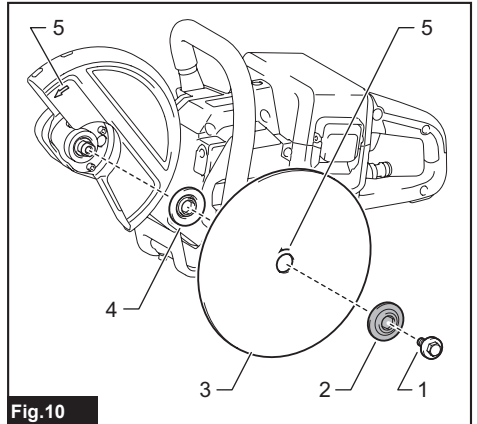


Fig.10

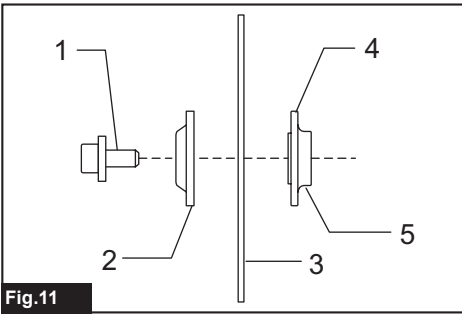


Fig.11

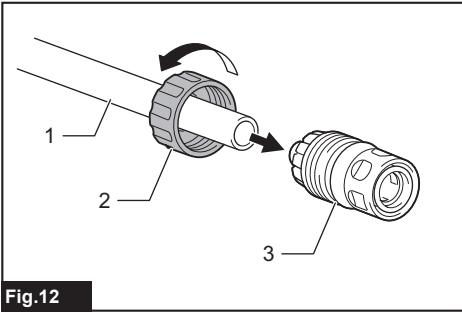


Fig.12

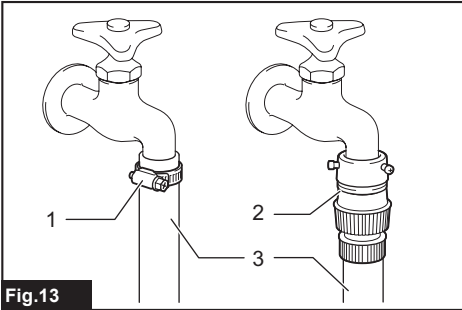


Fig.13

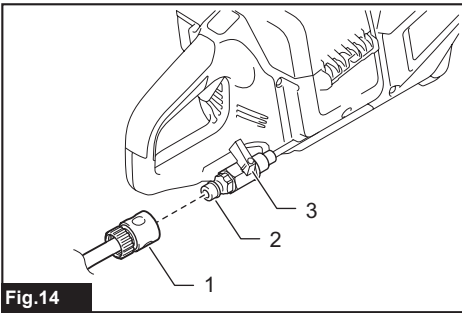


Fig.14

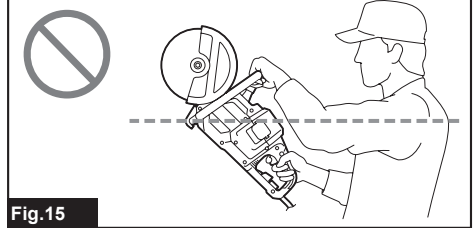
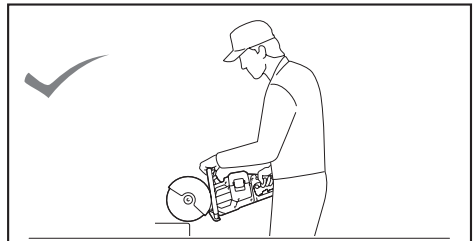


Fig.15

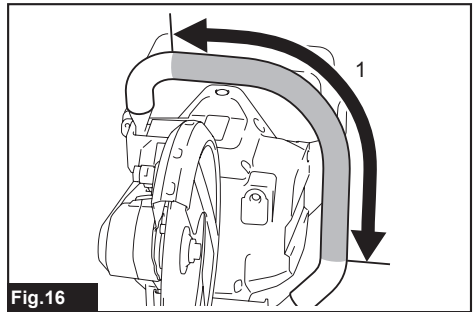


Fig.16

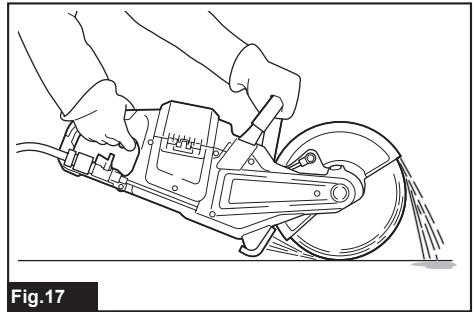


Fig.17

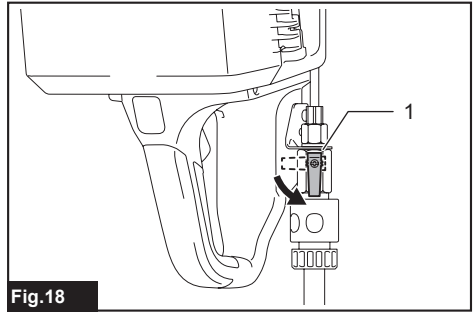
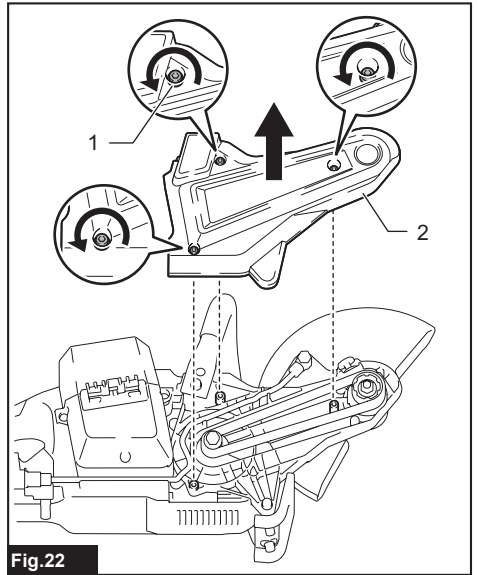
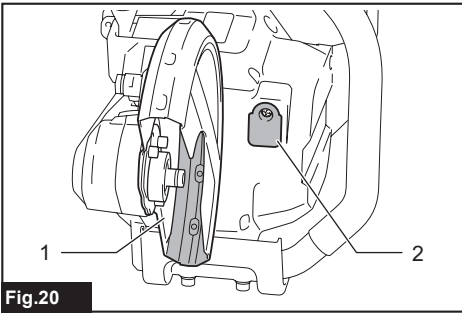
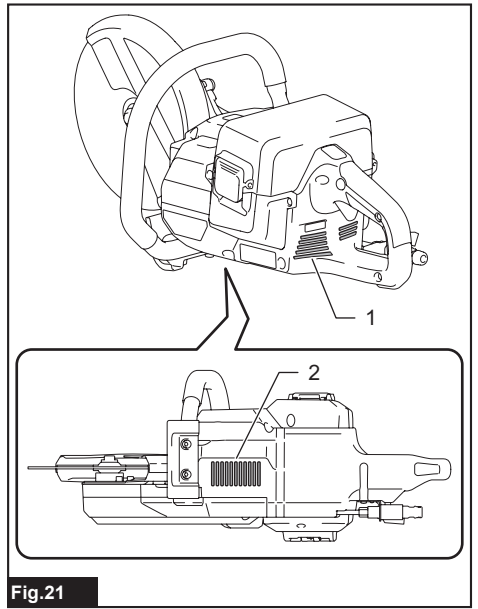
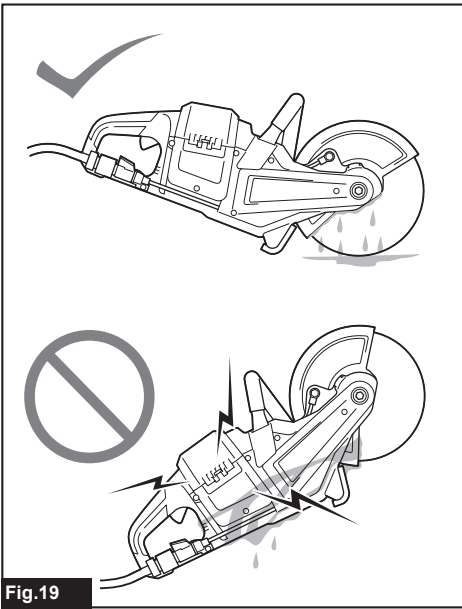


Fig.18



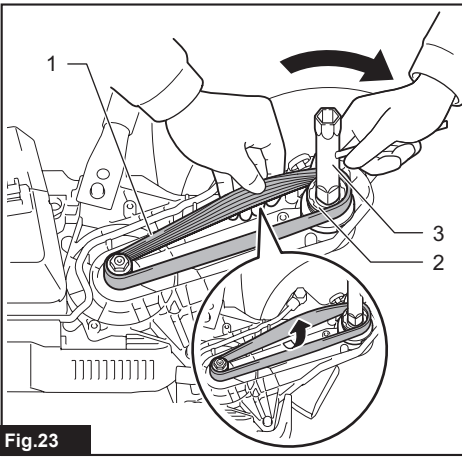


Fig.23

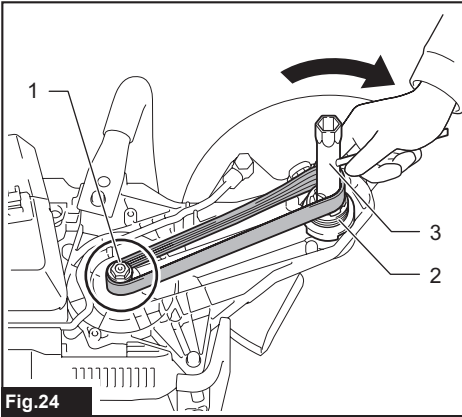


Fig.24

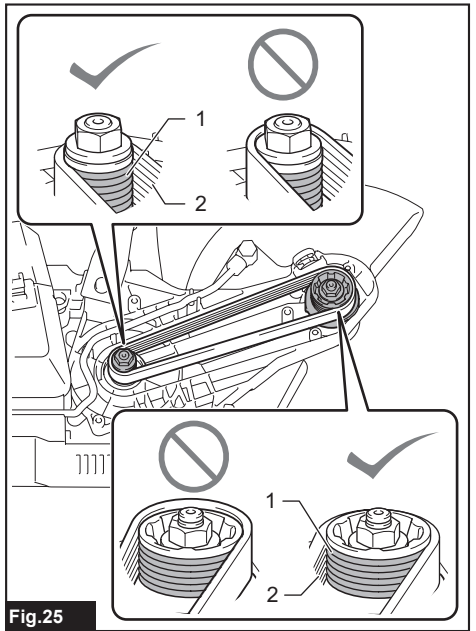


Fig.25

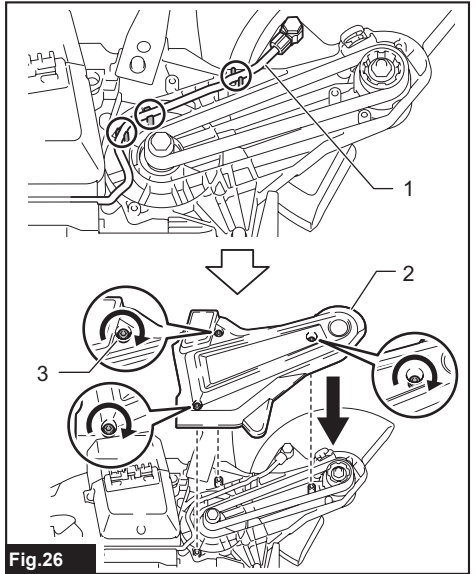


Fig.26

## SPECIFICATIONS

Model:	DCE090
Wheel diameter	230 mm
Max. wheel thickness	3.0 mm
Max. cutting depth	88 mm
Rated speed	6,600 min <sup>-1</sup>
Rated voltage	D.C. 36 V
Max. permitted pressure of feed-water	5.0 bars
Overall length	554 mm
Net weight	5.6 - 6.3 kg

- Due to our continuing program of research and development, the specifications herein are subject to change without notice.
- Specifications may differ from country to country.
- The weight may differ depending on the attachment(s), including the battery cartridge. The lightest and heaviest combination, according to EPTA-Procedure 01/2014, are shown in the table.

### Applicable battery cartridge and charger

Battery cartridge	BL1815N / BL1820 / BL1820B / BL1830 / BL1830B / BL1840 / BL1840B / BL1850 / BL1850B / BL1860B
Charger	DC18RC / DC18RD / DC18RE / DC18SE / DC18SF / DC18SH

- Some of the battery cartridges and chargers listed above may not be available depending on your region of residence.

**⚠ WARNING: Only use the battery cartridges and chargers listed above.** Use of any other battery cartridges and chargers may cause injury and/or fire.

### Intended use

The tool is intended for cutting in metal materials with a abrasive cut-off wheel and also masonry materials with a diamond wheel.

### Noise

The typical A-weighted noise level determined according to EN60745-2-22:

Sound pressure level ( $L_{pA}$ ) : 103 dB(A)

Sound power level ( $L_{WA}$ ) : 114 dB (A)

Uncertainty (K) : 3 dB(A)

**NOTE:** The declared noise emission value(s) has been measured in accordance with a standard test method and may be used for comparing one tool with another.

**NOTE:** The declared noise emission value(s) may also be used in a preliminary assessment of exposure.

**⚠ WARNING: Wear ear protection.**

**⚠ WARNING:** The noise emission during actual use of the power tool can differ from the declared value(s) depending on the ways in which the tool is used especially what kind of workpiece is processed.

**⚠ WARNING:** Be sure to identify safety measures to protect the operator that are based on an estimation of exposure in the actual conditions of use (taking account of all parts of the operating cycle such as the times when the tool is switched off and when it is running idle in addition to the trigger time).

## Vibration

Work mode: concrete cutting

Left hand		Right hand		Applicable standard
$a_{h,w}$ (m/s <sup>2</sup> )	Uncertainty K (m/s <sup>2</sup> )	$a_{h,w}$ (m/s <sup>2</sup> )	Uncertainty K (m/s <sup>2</sup> )	
5.9	1.5	4.0	1.5	EN60745-2-22

**NOTE:** The declared vibration total value(s) has been measured in accordance with a standard test method and may be used for comparing one tool with another.

**NOTE:** The declared vibration total value(s) may also be used in a preliminary assessment of exposure.

**⚠ WARNING:** The vibration emission during actual use of the power tool can differ from the declared value(s) depending on the ways in which the tool is used especially what kind of workpiece is processed.

**⚠ WARNING:** Be sure to identify safety measures to protect the operator that are based on an estimation of exposure in the actual conditions of use (taking account of all parts of the operating cycle such as the times when the tool is switched off and when it is running idle in addition to the trigger time).

## EC Declaration of Conformity

*For European countries only*

The EC declaration of conformity is included as Annex A to this instruction manual.

## SAFETY WARNINGS

### General power tool safety warnings

**⚠ WARNING:** Read all safety warnings, instructions, illustrations and specifications provided with this power tool. Failure to follow all instructions listed below may result in electric shock, fire and/or serious injury.

### Save all warnings and instructions for future reference.

The term "power tool" in the warnings refers to your mains-operated (corded) power tool or battery-operated (cordless) power tool.

### Cordless cutter safety warnings

- The guard provided with the tool must be securely attached to the power tool and positioned for maximum safety, so the least amount of wheel is exposed towards the operator. Position yourself and bystanders away from the plane of the rotating wheel.** The guard helps to protect operator from broken wheel fragments and accidental contact with wheel.
- Use only bonded reinforced or diamond cut-off wheels for your power tool.** Just because an accessory can be attached to your power tool, it does not assure safe operation.
- The rated speed of the accessory must be at least equal to the maximum speed marked on the power tool.** Accessories running faster than their rated speed can break and fly apart.
- Wheels must be used only for recommended applications. For example: do not grind with the side of cut-off wheel.** Abrasive cut-off wheels are intended for peripheral grinding, side forces applied to these wheels may cause them to shatter.
- Always use undamaged wheel flanges that are of correct diameter for your selected wheel.** Proper wheel flanges support the wheel thus reducing the possibility of wheel breakage.
- Do not use worn down reinforced wheels from larger power tools.** Wheels intended for a larger power tool are not suitable for the higher speed of a smaller tool and may burst.
- The outside diameter and the thickness of your accessory must be within the capacity rating of your power tool.** Incorrectly sized accessories cannot be adequately guarded or controlled.
- The arbour size of wheels and flanges must properly fit the spindle of the power tool.** Wheels and flanges with arbour holes that do not match the mounting hardware of the power tool will run out of balance, vibrate excessively and may cause loss of control.
- Do not use damaged wheels. Before each use, inspect the wheels for chips and cracks. If power tool or wheel is dropped, inspect for damage or install an undamaged wheel. After inspecting and installing the wheel, position yourself and bystanders away from the plane of the rotating wheel and run the power tool at maximum no load speed for one minute.** Damaged wheels will normally break apart during this test time.
- Wear personal protective equipment. Depending on application, use face shield, safety goggles or safety glasses. As appropriate, wear dust mask, hearing protectors, gloves and shop apron capable of stopping small abrasive or workpiece fragments.** The eye protection must be capable of stopping flying debris generated by various operations. The dust mask or respirator must be capable of filtering particles generated by your operation. Prolonged exposure to high intensity noise may cause hearing loss.
- Keep bystanders a safe distance away from work area. Anyone entering the work area must wear personal protective equipment.** Fragments of workpiece or of a broken wheel may fly away and cause injury beyond immediate area of operation.



12. **Hold the power tool by insulated gripping surfaces only, when performing an operation where the cutting accessory may contact hidden wiring.** Cutting accessory contacting a "live" wire may make exposed metal parts of the power tool "live" and could give the operator an electric shock.
  13. **Never lay the power tool down until the accessory has come to a complete stop.** The spinning wheel may grab the surface and pull the power tool out of your control.
  14. **Do not run the power tool while carrying it at your side.** Accidental contact with the spinning accessory could snag your clothing, pulling the accessory into your body.
  15. **Regularly clean the power tool's air vents.** The motor's fan will draw the dust inside the housing and excessive accumulation of powdered metal may cause electrical hazards.
  16. **Do not operate the power tool near flammable materials.** Sparks could ignite these materials.
7. **When wheel is binding or when interrupting a cut for any reason, switch off the power tool and hold the power tool motionless until the wheel comes to a complete stop. Never attempt to remove the wheel from the cut while the wheel is in motion otherwise kickback may occur.** Investigate and take corrective action to eliminate the cause of wheel binding.
  8. **Do not restart the cutting operation in the workpiece. Let the wheel reach full speed and carefully re-enter the cut.** The wheel may bind, walk up or kickback if the power tool is restarted in the workpiece.
  9. **Support panels or any oversized workpiece to minimize the risk of wheel pinching and kickback.** Large workpieces tend to sag under their own weight. Supports must be placed under the workpiece near the line of cut and near the edge of the workpiece on both sides of the wheel.
  10. **Use extra caution when making a "pocket cut" into existing walls or other blind areas.** The protruding wheel may cut gas or water pipes, electrical wiring or objects that can cause kickback.

### Kickback and related warnings

Kickback is a sudden reaction to a pinched or snagged rotating wheel. Pinching or snagging causes rapid stalling of the rotating wheel which in turn causes the uncontrolled power tool to be forced in the direction opposite of the wheel's rotation at the point of the binding.

For example, if an abrasive wheel is snagged or pinched by the workpiece, the edge of the wheel that is entering into the pinch point can dig into the surface of the material causing the wheel to climb out or kick out. The wheel may either jump toward or away from the operator, depending on direction of the wheel's movement at the point of pinching. Abrasive wheels may also break under these conditions.

Kickback is the result of power tool misuse and/or incorrect operating procedures or conditions and can be avoided by taking proper precautions as given below.

1. **Maintain a firm grip on the power tool and position your body and arm to allow you to resist kickback forces. Always use auxiliary handle, if provided, for maximum control over kickback or torque reaction during start-up.** The operator can control torque reactions or kickback forces, if proper precautions are taken.
2. **Never place your hand near the rotating accessory.** Accessory may kickback over your hand.
3. **Do not position your body in line with the rotating wheel.** Kickback will propel the tool in direction opposite to the wheel's movement at the point of snagging.
4. **Use special care when working corners, sharp edges etc. Avoid bouncing and snagging the accessory.** Corners, sharp edges or bouncing have a tendency to snag the rotating accessory and cause loss of control or kickback.
5. **Do not attach a saw chain, woodcarving blade, segmented diamond wheel with a peripheral gap greater than 10 mm or toothed saw blade.** Such blades create frequent kickback and loss of control.
6. **Do not "jam" the wheel or apply excessive pressure. Do not attempt to make an excessive depth of cut.** Overstressing the wheel increases the loading and susceptibility to twisting or binding of the wheel in the cut and the possibility of kickback or wheel breakage.

### Additional Safety Warnings:

1. **Before using a segmented diamond wheel, make sure that the diamond wheel has the peripheral gap between segments of 10 mm or less, only with a negative rake angle.**
2. **Never attempt to cut with the tool held upside down in a vise. This can lead to serious accidents, because it is extremely dangerous.**
3. **Some material contains chemicals which may be toxic. Take caution to prevent dust inhalation and skin contact. Follow material supplier safety data.**
4. **Store wheels as per manufacturer recommendations. Improper storage may damage the wheels.**
5. **Always use the wheel suitable for your work and the material to be cut.**
6. **Examine the material to be cut before cutting.** If the material contains explosive or flammable substances, it may cause an explosion or fire.
7. **Do not switch on the tool if a foreign object is jammed between the guard and the wheel.** In this case, uninstall the battery cartridge and remove the foreign object.
8. **Use clamps or similar to support the workpiece whenever possible.**
9. **Always wear hearing protection during operation.**
10. **Do not cut wood materials with this tool.**

## SAVE THESE INSTRUCTIONS.

**⚠WARNING:** DO NOT let comfort or familiarity with product (gained from repeated use) replace strict adherence to safety rules for the subject product. MISUSE or failure to follow the safety rules stated in this instruction manual may cause serious personal injury.

## Important safety instructions for battery cartridge

- Before using battery cartridge, read all instructions and cautionary markings on (1) battery charger, (2) battery, and (3) product using battery.
- Do not disassemble or tamper the battery cartridge. It may result in a fire, excessive heat, or explosion.
- If operating time has become excessively shorter, stop operating immediately. It may result in a risk of overheating, possible burns and even an explosion.
- If electrolyte gets into your eyes, rinse them out with clear water and seek medical attention right away. It may result in loss of your eyesight.
- Do not short the battery cartridge:
  - Do not touch the terminals with any conductive material.
  - Avoid storing battery cartridge in a container with other metal objects such as nails, coins, etc.
  - Do not expose battery cartridge to water or rain.

A battery short can cause a large current flow, overheating, possible burns and even a breakdown.
- Do not store and use the tool and battery cartridge in locations where the temperature may reach or exceed 50 °C (122 °F).
- Do not incinerate the battery cartridge even if it is severely damaged or is completely worn out. The battery cartridge can explode in a fire.
- Do not nail, cut, crush, throw, drop the battery cartridge, or hit against a hard object to the battery cartridge. Such conduct may result in a fire, excessive heat, or explosion.
- Do not use a damaged battery.
- The contained lithium-ion batteries are subject to the Dangerous Goods Legislation requirements. For commercial transports e.g. by third parties, forwarding agents, special requirement on packaging and labeling must be observed. For preparation of the item being shipped, consult an expert for hazardous material is required. Please also observe possibly more detailed national regulations. Tape or mask off open contacts and pack up the battery in such a manner that it cannot move around in the packaging.
- When disposing the battery cartridge, remove it from the tool and dispose of it in a safe place. Follow your local regulations relating to disposal of battery.
- Use the batteries only with the products specified by Makita. Installing the batteries to non-compliant products may result in a fire, excessive heat, explosion, or leak of electrolyte.
- If the tool is not used for a long period of time, the battery must be removed from the tool.
- During and after use, the battery cartridge may take on heat which can cause burns or low temperature burns. Pay attention to the handling of hot battery cartridges.
- Do not touch the terminal of the tool immediately after use as it may get hot enough to cause burns.
- Do not allow chips, dust, or soil stuck into the terminals, holes, and grooves of the battery cartridge. It may result in poor performance or breakdown of the tool or battery cartridge.
- Unless the tool supports the use near high-voltage electrical power lines, do not use the battery cartridge near high-voltage electrical power lines. It may result in a malfunction or breakdown of the tool or battery cartridge.
- Keep the battery away from children.

## SAVE THESE INSTRUCTIONS.

**⚠ CAUTION:** Only use genuine Makita batteries. Use of non-genuine Makita batteries, or batteries that have been altered, may result in the battery bursting causing fires, personal injury and damage. It will also void the Makita warranty for the Makita tool and charger.

## Tips for maintaining maximum battery life

- Charge the battery cartridge before completely discharged. Always stop tool operation and charge the battery cartridge when you notice less tool power.
- Never recharge a fully charged battery cartridge. Overcharging shortens the battery service life.
- Charge the battery cartridge with room temperature at 10 °C - 40 °C (50 °F - 104 °F). Let a hot battery cartridge cool down before charging it.
- When not using the battery cartridge, remove it from the tool or the charger.
- Charge the battery cartridge if you do not use it for a long period (more than six months).

## PARTS DESCRIPTION

► Fig.1

1	Abrasive cut-off wheel / diamond wheel	2	Wheel guard	3	Grip	4	Cover (for battery compartment)
5	Lock-off button	6	Hook	7	Lamp	8	Check button
9	Battery indicator	10	Overload indicator	11	Lamp button	12	Switch trigger
13	Handle	14	Water inlet	15	Cock	16	Cover (for V-belt)
17	Shaft lock button	18	Coupling sleeve	19	Box wrench	20	Hex wrench

## FUNCTIONAL DESCRIPTION

**CAUTION:** Always be sure that the tool is switched off and the battery cartridge is removed before adjusting or checking function on the tool.

### Installing or removing battery cartridge

**CAUTION:** Always switch off the tool before installing or removing of the battery cartridge.

**CAUTION:** Hold the tool and the battery cartridge firmly when installing or removing battery cartridge. Failure to hold the tool and the battery cartridge firmly may cause them to slip off your hands and result in damage to the tool and battery cartridge and a personal injury.

To install the battery cartridge, open the cover while releasing the hook. Align the tongue on the battery cartridge with the groove in the housing and slip it into place. Insert it all the way until it locks in place with a little click. If you can see the red indicator on the upper side of the button, it is not locked completely. After installing or removing the battery cartridges, make sure that the cover is closed and locked by the hook.

► Fig.2: 1. Cover 2. Hook

To remove the battery cartridges, lift the battery cartridge while pushing the button on the front of the cartridge.

► Fig.3: 1. Red indicator 2. Button 3. Battery cartridge

**CAUTION:** Always install the battery cartridge fully until the red indicator cannot be seen. If not, it may accidentally fall out of the tool, causing injury to you or someone around you.

**CAUTION:** Do not install the battery cartridge forcibly. If the cartridge does not slide in easily, it is not being inserted correctly.

**NOTE:** The tool does not work with only one battery cartridge.

### Indicating the remaining battery capacity

*Only for battery cartridges with the indicator*

► Fig.4: 1. Indicator lamps 2. Check button

Press the check button on the battery cartridge to indicate the remaining battery capacity. The indicator lamps light up for a few seconds.

Indicator lamps			Remaining capacity
Lighted	Off	Blinking	
■ ■ ■ ■			75% to 100%
■ ■ ■ □			50% to 75%
■ ■ □ □			25% to 50%
■ □ □ □			0% to 25%
▣ □ □ □			Charge the battery.
■ ■ □ □			The battery may have malfunctioned.
□ □ ■ ■	↑ ↓		

**NOTE:** Depending on the conditions of use and the ambient temperature, the indication may differ slightly from the actual capacity.

**NOTE:** The first (far left) indicator lamp will blink when the battery protection system works.

### Indicating the remaining battery capacity

► Fig.5: 1. Battery indicator 2. Check button

Press the check button to indicate the remaining battery capacities. The battery indicators correspond to each battery.

Battery indicator status			Remaining battery capacity
On	Off	Blinking	
■ ■ ■ ■			50% to 100%
	■ ■ ■ ■		20% to 50%
		■ ■ ■ ■	0% to 20%
		■ ■ ■ ■	Charge the battery

## Tool / battery protection system

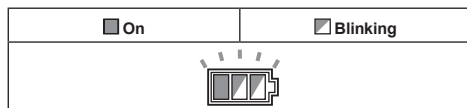
The tool is equipped with a tool/battery protection system. This system automatically cuts off power to the motor to extend tool and battery life. The tool will automatically stop during operation if the tool or battery is placed under one of the following conditions.

### Overload protection

When the tool/battery is operated in a manner that causes it to draw an abnormally high current, the tool automatically stops. In this situation, turn the tool off and stop the application that caused the tool to become overloaded. Then turn the tool on to restart.

### Overheat protection

When the tool is overheated, the tool stops automatically, and the battery indicator blink about 60 seconds. In this situation, let the tool cool down before turning the tool on again.



### Overdischarge protection

When the battery capacity becomes low, the tool stops automatically. If the product does not operate even when the switches are operated, remove the batteries from the tool and charge the batteries.

### Overload alert

If the tool is operated with excessive load, the overload indicator will blink in red. In this situation, reduce the load on the tool. Then, the indicator stops blinking.

► Fig.6: 1. Overload indicator

### Switch action

**⚠ WARNING:** Before installing the battery cartridge into the tool, always check to see that the switch trigger actuates properly and returns to the "OFF" position when released.

**⚠ WARNING:** NEVER defeat the lock-off button by taping down or some other means. A switch with a negated lock-off button may result in unintentional operation and serious personal injury.

**⚠ WARNING:** NEVER use the tool if it runs when you simply pull the switch trigger without pressing the lock-off button. A switch in need of repair may result in unintentional operation and serious personal injury. Return tool to a Makita service center for proper repairs BEFORE further usage.

To prevent the switch trigger from being accidentally pulled, a lock-off button is provided. To start the tool, depress the lock-off button and pull the switch trigger. Release the switch trigger to stop.

► Fig.7: 1. Switch trigger 2. Lock-off button

**NOTICE:** Do not pull the switch trigger hard without pressing in the lock-off button. This can cause switch breakage.

## Lighting the lamp

**⚠ CAUTION:** Do not look in the light or see the source of light directly.

To turn on the lamp, press the lamp button. To turn off, press the lamp button again.

► Fig.8: 1. Lamp button 2. Lamp

**NOTE:** The lamp will automatically be turned off if there is no operation with the tool for one minute.

## ASSEMBLY

**⚠ CAUTION:** Always be sure that the tool is switched off and the battery cartridge is removed before carrying out any work on the tool.

### Installing or removing abrasive cut-off wheel / diamond wheel

**⚠ CAUTION:** Use only the Makita wrench to install or remove the wheel.

**⚠ CAUTION:** When installing the wheel, be sure to tighten the bolt securely.

**⚠ CAUTION:** Do not press the shaft lock button when the wheel is rotating.

To remove the wheel, press the shaft lock button and rotate the wheel until the wheel cannot revolve. While the shaft lock is fully locked, turn the hex bolt counterclockwise using the box wrench. Then remove the hex bolt, outer flange and wheel.

► Fig.9: 1. Shaft lock button 2. Box wrench 3. Tighten 4. Loosen

► Fig.10: 1. Hex bolt 2. Outer flange (black) 3. Abrasive cut-off wheel / diamond wheel 4. Inner flange (silver) 5. Arrow (rotation direction of the wheel)

To install the wheel, follow the removal procedure in reverse.

BE SURE TO TIGHTEN THE HEX BOLT SECURELY.

**⚠ CAUTION:** Always install the wheel so that the arrow on it points in the same direction as the arrow on the wheel guard. Otherwise the wheel rotates in reverse, it may cause personal injury.

**⚠ CAUTION:** Only use the wheel that are marked with a speed equal or higher than the speed marked on the tool.

**NOTE:** If an inner flange is removed by chance, install the inner flange so that taller protrusion faces the tool side as shown in the figure.

► Fig.11: 1. Hex bolt 2. Outer flange (black) 3. Abrasive cut-off wheel / diamond wheel 4. Inner flange (silver) 5. Protrusion (taller)

## Connecting to water supply

1. Prepare a water hose.
2. Remove the nut on the coupling sleeve and pass the water hose through the nut. Insert the end of the hose into the coupling sleeve and then tighten the nut.  
► **Fig.12:** 1. Water hose 2. Nut of the coupling sleeve 3. Coupling sleeve
3. Connect the water hose to the water supply.

When connecting to a water faucet, use a suitable fitting such as hose band or water tap joint.

- **Fig.13:** 1. Hose band 2. Water tap joint 3. Water hose

**NOTE:** The fitting depends on the shape of the faucet to which you connect. Prepare a suitable commercially-bought fitting.

**NOTE:** If you use a water tap joint, prepare another coupling sleeve and attach it to the other end of the hose.

**NOTE:** When using a water pump, follow the instructions of your water pump to connect the water hose.

4. Push the coupling sleeve into the water inlet until it locks with a click.
- **Fig.14:** 1. Coupling sleeve 2. Water inlet 3. Cock

**NOTICE:** Keep the cock closed until you start the cutting operation with water feeding. For how to feed water, refer to the section for the operation.

## OPERATION

**CAUTION:** Be sure to lock the cover for battery compartment before operating.

**CAUTION:** Be sure to hold the workpiece firmly down on a stable bench or table during operation.

**CAUTION:** Do not twist or force the tool in the cut, or the motor may be overloaded or the workpiece may break.

### Cutting

**CAUTION:** During operation, do not bring the tool higher than your shoulder height.

- **Fig.15**

Hold the tool firmly. Grasp the handle with your right hand and the grip with your left hand. To prevent electric shock by accidental cutting of an electric cable, always hold the grip by the designated portion as shown in the figure.

- **Fig.16:** 1. Part to hold

Move the tool over the workpiece surface, keeping it flat and advancing smoothly until the cutting is completed. Keep your cutting line straight and your speed of advance uniform.

- **Fig.17**

**NOTE:** When the battery cartridge temperature is low, the tool may not work to its full capacity. At this time, for example, use the tool for a light-duty cut for a while until the battery cartridge warms up as high as room temperature. Then, the tool can work to its full capacity.

**NOTE:** If the cutting action of the diamond wheel begins to diminish, dress the cutting edge of the wheel using an old discarded coarse grit bench grinder wheel or concrete block. Dress by pressing lightly on the outer edge of the diamond wheel.

### When feeding water during cutting

**CAUTION:** When using a wet-type diamond wheel, always feed water during cutting.

Connect the tool to the water supply and turn the cock in the direction of the arrow as illustrated. Adjust the position of the cock to obtain a gentle flow of water.

- **Fig.18:** 1. Cock

**CAUTION:** When feeding water, always keep the tool head lower than the tool body to prevent water entering into the tool mechanism. Failure to do so may cause electric shock.

- **Fig.19**

## MAINTENANCE

**CAUTION:** Always be sure that the tool is switched off and the battery cartridge is removed before attempting to perform inspection or maintenance.

**NOTICE:** Never use gasoline, benzine, thinner, alcohol or the like. Discoloration, deformation or cracks may result.

To maintain product SAFETY and RELIABILITY, repairs, any other maintenance or adjustment should be performed by Makita Authorized or Factory Service Centers, always using Makita replacement parts.

### Cleaning the tool

After each use, remove the battery cartridge and the wheel and then clean dust, dirt or metal chips accumulated inside the wheel guard. Clean the tool body by wiping off dust, dirt with a dry cloth or one dipped in soapy water and wrung out. Use a dry cloth to wipe the dirt off the lens of the lamp. Be careful not to scratch the lens of lamp, or it may lower the illumination.

- **Fig.20:** 1. Wheel guard 2. Lens of the lamp

### Cleaning the air vent

Regularly clean the tool's air vents or whenever the vents start to become obstructed.

- **Fig.21:** 1. Inhalation vent 2. Exhaust vent

## Changing the V-belt

1. Remove the battery cartridge and the wheel.
2. Loosen the hex socket bolts using the hex wrench and then remove the cover .  
▶ **Fig.22:** 1. Hex socket bolt 2. Cover
3. While strongly twisting the V-belt so that its inner side faces up as shown in the figure, turn the bolt on the pulley (large) clockwise using the box wrench.

The V-belt will deviate from the track and come off as you turn the bolt.

- ▶ **Fig.23:** 1. V-belt 2. Pulley (large) 3. Box wrench

**NOTICE:** Never turn the box wrench counter-clockwise. Doing so loosen the bolt on the pulley (large) and result in poor performance.

4. Hook the new V-belt to the pulley (small). Put the other end of the V-belt onto the pulley (large) so that it is partially hooked on the forefront rail of the pulley. (You don't have to hook the V-belt to all of the rails on the pulley at this stage). After that, turn the bolt on the pulley (large) clockwise using the box wrench.

The V-belt will get on the track as you turn the bolt.

- ▶ **Fig.24:** 1. Pulley (small) 2. Pulley (large) 3. Box wrench

Make sure that all the guides on the internal circle of the V-belt fit into the rails on the pulleys. All the rails on the pulley must support the guides on the V-belt. If there is a rail which does not support the guide, the V-belt is not properly installed.

- ▶ **Fig.25:** 1. Rail on the pulley 2. Guide on the V-belt

5. Place the cover onto the tool and tighten the hex socket bolts using the hex wrench.

- ▶ **Fig.26:** 1. Tube 2. Cover 3. Hex socket bolt

**NOTICE:** Make sure that the tube for water feed is in the positions as shown in the figure before attaching the cover.

## TROUBLESHOOTING

Before asking for repairs, conduct your own inspection first. If you find a problem that is not explained in the manual, do not attempt to dismantle the tool. Instead, ask Makita Authorized Service Centers, always using Makita replacement parts for repairs.

State of abnormality	Probable cause (malfunction)	Remedy
Motor does not run.	Battery cartridges are not installed.	Install two battery cartridges. This tool does not work with one battery cartridge.
	Battery problem (under voltage)	Recharge the battery. If recharging is not effective, replace the battery cartridge.
	The drive system does not work correctly.	Ask your local authorized service center for repair.
Motor stops running after a little use.	Battery's charge level is low.	Recharge the battery. If recharging is not effective, replace the battery cartridge.
	Overheating.	Stop using of tool to allow it to cool down.
The wheel rotation does not accelerate properly even after running the tool without load for 20 seconds.	Battery is installed improperly.	Install the battery cartridge as described in this manual.
	Battery power is dropping.	Recharge the battery cartridge. If recharging is not effective, replace the battery cartridge.
	The V-belt is slipping.	Replace the V-belt with new one.
	The drive system does not work correctly.	Ask your local authorized service center for repair.
Wheel does not rotate: ⇒ stop the machine immediately!	The V-belt is slipping.	Replace the V-belt with new one.
	Foreign object is jammed between the guard and the wheel.	Uninstall the battery cartridge and then remove the foreign object.
	The drive system does not work correctly.	Ask your local authorized service center for repair.
Abnormal vibration: ⇒ stop the machine immediately!	Improper attachment of the wheel.	Install the wheel as instructed in this manual. Tighten the bolt to secure the wheel firmly.
	The drive system does not work correctly.	Ask your local authorized service center for repair.
Cutting tool and motor cannot stop: ⇒ Remove the battery cartridge immediately!	Electric or electronic malfunction.	Remove the battery cartridge and ask your local authorized service center for repair.
Poor cutting performance	It is time to replace the wheel.	Replace the wheel with new one.
Water leaks from the inlet.	Water is leaking from the O-ring part.	Ask your local authorized service center for repair.

# OPTIONAL ACCESSORIES

**⚠ CAUTION:** These accessories or attachments are recommended for use with your Makita tool specified in this manual. The use of any other accessories or attachments might present a risk of injury to persons. Only use accessory or attachment for its stated purpose.

If you need any assistance for more details regarding these accessories, ask your local Makita Service Center.

- Abrasive cut-off wheel
- Diamond wheel
- V-belt
- Coupling sleeve
- Flange 60 set (country specific)
- Box wrench
- Hex wrench
- Makita genuine battery and charger

**NOTE:** Some items in the list may be included in the tool package as standard accessories. They may differ from country to country.

## SPÉCIFICATIONS

Modèle :	DCE090
Diamètre du disque	230 mm
Épaisseur max. du disque	3,0 mm
Profondeur maximum de coupe	88 mm
Vitesse nominale	6 600 min <sup>-1</sup>
Tension nominale	36 V CC
Pression maximum autorisée d'alimentation en eau	5,0 bars
Longueur totale	554 mm
Poids net	5,6 - 6,3 kg

- Étant donné l'évolution constante de notre programme de recherche et de développement, les spécifications contenues dans ce manuel sont sujettes à modification sans préavis.
- Les spécifications peuvent varier suivant les pays.
- Le poids peut être différent selon les accessoires, notamment la batterie. Les associations la plus légère et la plus lourde, conformément à la procédure EPTA 01/2014, sont indiquées dans le tableau.

### Batterie et chargeur applicables

Batterie	BL1815N / BL1820 / BL1820B / BL1830 / BL1830B / BL1840 / BL1840B / BL1850 / BL1850B / BL1860B
Chargeur	DC18RC / DC18RD / DC18RE / DC18SD / DC18SE / DC18SF / DC18SH

- Certains chargeurs et batteries répertoriés ci-dessus peuvent ne pas être disponibles selon la région où vous résidez.

**⚠ AVERTISSEMENT : N'utilisez que les batteries et les chargeurs répertoriés ci-dessus.** L'utilisation d'autres batteries et chargeurs peut provoquer des blessures et/ou un incendie.

### Utilisations

L'outil est conçu pour couper les matériaux en métal avec un disque à tronçonner abrasif et également les matériaux de maçonnerie avec un disque diamanté.

### Bruit

Niveau de bruit pondéré A typique, déterminé selon EN60745-2-22 :

Niveau de pression sonore ( $L_{pA}$ ) : 103 dB (A)

Niveau de puissance sonore ( $L_{WA}$ ) : 114 dB (A)

Incertitude (K) : 3 dB (A)

**NOTE** : La ou les valeurs d'émission de bruit déclarées ont été mesurées conformément à la méthode de test standard et peuvent être utilisées pour comparer les outils entre eux.

**NOTE** : La ou les valeurs d'émission de bruit déclarées peuvent aussi être utilisées pour l'évaluation préliminaire de l'exposition.

**⚠ AVERTISSEMENT : Portez un serre-tête antibruit.**

**⚠ AVERTISSEMENT** : L'émission de bruit lors de l'usage réel de l'outil électrique peut être différente de la ou des valeurs déclarées, suivant la façon dont l'outil est utilisé, particulièrement selon le type de pièce usinée.

**⚠ AVERTISSEMENT** : Les mesures de sécurité à prendre pour protéger l'utilisateur doivent être basées sur une estimation de l'exposition dans des conditions réelles d'utilisation (en tenant compte de toutes les composantes du cycle d'utilisation, comme par exemple le moment de sa mise hors tension, lorsqu'il tourne à vide et le moment de son déclenchement).



# Vibrations

Mode de travail : sciage de béton

Main gauche		Main droite		Norme applicable
$a_{h,w}$ (m/s <sup>2</sup> )	Incertitude K (m/s <sup>2</sup> )	$a_{h,w}$ (m/s <sup>2</sup> )	Incertitude K (m/s <sup>2</sup> )	
5,9	1,5	4,0	1,5	EN60745-2-22

**NOTE** : La ou les valeurs de vibration totales déclarées ont été mesurées conformément à la méthode de test standard et peuvent être utilisées pour comparer les outils entre eux.

**NOTE** : La ou les valeurs de vibration totales déclarées peuvent aussi être utilisées pour l'évaluation préliminaire de l'exposition.

**⚠ AVERTISSEMENT** : L'émission de vibrations lors de l'usage réel de l'outil électrique peut être différente de la ou des valeurs déclarées, suivant la façon dont l'outil est utilisé, particulièrement selon le type de pièce usinée.

**⚠ AVERTISSEMENT** : Les mesures de sécurité à prendre pour protéger l'utilisateur doivent être basées sur une estimation de l'exposition dans des conditions réelles d'utilisation (en tenant compte de toutes les composantes du cycle d'utilisation, comme par exemple le moment de sa mise hors tension, lorsqu'il tourne à vide et le moment de son déclenchement).

## Déclaration de conformité CE

*Pour les pays européens uniquement*

La déclaration de conformité CE est fournie en Annexe A à ce mode d'emploi.

## CONSIGNES DE SÉCURITÉ

### Consignes de sécurité générales pour outils électriques

**⚠ AVERTISSEMENT** : Veuillez lire les consignes de sécurité, instructions, illustrations et spécifications qui accompagnent cet outil électrique. Le non-respect de toutes les instructions indiquées ci-dessous peut entraîner une électrocution, un incendie et/ou de graves blessures.

### Conservez toutes les mises en garde et instructions pour référence ultérieure.

Le terme « outil électrique » dans les avertissements fait référence à l'outil électrique alimenté par le secteur (avec cordon d'alimentation) ou à l'outil électrique fonctionnant sur batterie (sans cordon d'alimentation).

### Consignes de sécurité pour scie diamant sans fil

1. Le carter de protection fourni avec l'outil doit être fermement fixé à l'outil électrique dans une position assurant une sécurité maximale, de façon à minimiser la surface du disque exposée en direction de l'utilisateur. Assurez-vous que personne, y compris vous-même, ne se trouve sur le même plan que le disque en rotation. Le carter de protection contribue à protéger l'utilisateur des fragments de disque cassés et d'un contact accidentel avec le disque.
2. Utilisez uniquement des disques à tronçonner renforcés ou diamantés à agglomérant avec votre outil électrique. Le simple fait qu'un accessoire puisse être fixé à l'outil électrique ne garantit pas qu'il fonctionnera de manière sûre.
3. La vitesse nominale de l'accessoire doit être au moins égale à la vitesse maximum inscrite sur l'outil électrique. Les accessoires tournant plus vite que leur vitesse nominale peuvent se casser et voler en éclats.
4. Les disques ne doivent être utilisés que pour les applications recommandées. Par exemple : ne procédez pas au meulage avec le côté du disque à tronçonner. Les disques à tronçonner abrasifs sont conçus pour un meulage périphérique. Exercer une force latérale sur ces disques peut les briser.
5. Utilisez toujours des flasques pour disque en bon état, au diamètre convenant au disque sélectionné. Des flasques pour disque adéquates soutiennent le disque, diminuant ainsi la possibilité d'une rupture du disque.
6. N'utilisez pas de disques renforcés usés provenant d'outils électriques plus grands. Les disques conçus pour des outils électriques plus grands ne conviennent pas à la vitesse supérieure d'un petit outil et risquent d'éclater.
7. Le diamètre extérieur et l'épaisseur de l'accessoire ne doivent pas dépasser la capacité nominale de l'outil électrique. Les accessoires de taille incorrecte ne peuvent être protégés ou contrôlés adéquatement.
8. L'orifice central des disques et des flasques doit s'insérer parfaitement sur la broche de l'outil électrique. Des disques et des flasques dont l'orifice central ne correspond pas au matériel de fixation de l'outil électrique se déséquilibreront, vibreront excessivement et risqueront d'entraîner une perte de maîtrise de l'outil.
9. N'utilisez pas de disques endommagés. Avant chaque utilisation, vérifiez que les disques ne sont pas fissurés ou écaillés. Si vous faites tomber l'outil électrique ou le disque, vérifiez qu'ils ne sont pas abîmés ou bien remplacez le disque endommagé. Après avoir vérifié et posé le disque, assurez-vous que personne, y compris vous-même, ne se trouve sur le même plan que le disque en rotation, et faites tourner l'outil électrique à la vitesse à vide maximum pendant une minute. Les disques endommagés se brisent généralement au cours de cette période d'essai.

10. **Portez un équipement de protection individuelle.** Suivant le type de travail à effectuer, utilisez un écran facial, des lunettes à coques ou des lunettes de sécurité. Au besoin, portez également un masque antipoussières, des protections auditives, des gants et un tablier de travail pouvant résister aux petits éclats abrasifs et aux fragments de pièce. La protection oculaire doit pouvoir arrêter les débris volants produits par les diverses opérations du disque. Le masque antipoussières ou le masque filtrant doit pouvoir filtrer les particules produites par l'opération du disque. Une exposition prolongée à un bruit d'intensité élevée peut entraîner une perte auditive.
11. **Ne laissez pas les personnes présentes approcher de la zone de travail. Toute personne pénétrant dans la zone de travail doit porter un équipement de protection individuelle.** Des fragments provenant de la pièce de travail ou d'un disque cassé peuvent voler en éclats et blesser les personnes se trouvant au-delà de la zone immédiate de travail.
12. **Tenez l'outil électrique uniquement par ses surfaces de prise isolées, lors d'une opération au cours de laquelle l'accessoire de coupe peut entrer en contact avec un fil caché.** Le contact de l'accessoire de coupe avec un fil sous tension peut transmettre du courant dans les pièces métalliques exposées de l'outil électrique et électrocuter l'utilisateur.
13. **Assurez-vous que l'accessoire est complètement arrêté avant de poser l'outil électrique.** Le disque en rotation risque de s'accrocher à la surface et vous faire perdre le contrôle de l'outil électrique.
14. **Ne transportez pas l'outil électrique tout en le laissant tourner.** En cas de contact accidentel avec l'accessoire en rotation, ce dernier risque d'accrocher vos vêtements et d'être entraîné vers votre corps.
15. **Nettoyez régulièrement les orifices de ventilation de l'outil électrique.** Le ventilateur du moteur aspire les poussières à l'intérieur du carter, ce qui présente un danger électrique en cas d'accumulation excessive de poussières métalliques.
16. **N'utilisez pas l'outil électrique près de matériaux inflammables.** Les étincelles risqueraient d'enflammer ces matériaux.

#### **Chocs en retour et mises en garde concernant ces derniers**

Le choc en retour est une réaction soudaine du disque en rotation lorsqu'il se coince ou accroche. Lorsque le disque en rotation se coince ou accroche, il s'arrête soudainement et l'utilisateur perd alors la maîtrise de l'outil électrique projeté dans le sens contraire de sa rotation au point où il se coince dans la pièce.

Par exemple, si un disque abrasif accroche ou se coince dans la pièce, son tranchant introduit au point de pincement risque d'y creuser la surface du matériau, entraînant la sortie ou le déchaussement du disque.

Le disque peut alors dévier de sa trajectoire, vers l'utilisateur ou dans le sens opposé, selon la direction du mouvement du disque au point de pincement. Dans de telles situations, le disque abrasif risque également de se briser.

Le choc en retour est le résultat d'une utilisation incorrecte de l'outil électrique et/ou de l'inobservation des procédures ou conditions d'utilisation. Il peut être évité en prenant les précautions adéquates indiquées ci-dessous.

1. **Maintenez une poigne ferme sur l'outil électrique et placez corps et bras de façon à pouvoir résister à la force exercée par les chocs en retour.** Utilisez toujours la poignée auxiliaire, s'il y en a une, pour avoir une maîtrise maximale de l'outil en cas de choc en retour ou de force de réaction exercée au moment du démarrage. L'utilisateur peut maîtriser les forces de réaction et de choc en retour s'il prend les précautions adéquates.
2. **Ne placez jamais la main près de l'accessoire en rotation.** L'accessoire risquerait de passer sur votre main en cas de choc en retour.
3. **Ne vous placez pas dans l'axe du disque en rotation.** Le choc en retour projetera l'outil dans le sens opposé au mouvement du disque au point où il accroche dans la pièce.
4. **Soyez tout particulièrement prudent lorsque vous travaillez sur les coins, les arêtes vives, etc. Évitez de laisser l'accessoire sautiller ou accrocher.** L'accessoire en rotation a tendance à accrocher dans les coins, sur les arêtes vives et lorsqu'il sautille, ce qui comporte un risque de perte de maîtrise ou de choc en retour.
5. **Ne fixez pas une chaîne de tronçonneuse, une lame à sculpter le bois, un disque diamanté à segments avec un espace périphérique supérieur à 10 mm ou une lame de scie dentée.** Ces lames causent fréquemment des chocs en retour et la perte de maîtrise de l'outil.
6. **Évitez de coincer le disque ou d'appliquer une pression excessive. N'essayez pas de couper trop profondément.** Un disque trop sollicité subira une surcharge et risquera de se tordre ou de se coincer dans la ligne de coupe, ce qui comporte un risque de choc en retour ou de bris du disque.
7. **Lorsque le disque se coince ou lorsque vous interrompez la coupe pour une raison quelconque, éteignez l'outil électrique et maintenez-le immobile jusqu'à ce que le disque ait complètement cessé de tourner. N'essayez jamais de retirer le disque de la ligne de coupe alors qu'il bouge encore, sous peine de provoquer un choc en retour.** Inspectez le disque et apportez les corrections nécessaires pour éliminer la cause du coincement du disque.
8. **Ne reprenez pas l'opération de coupe dans la pièce. Laissez le disque atteindre sa pleine vitesse, puis réintroduisez-le doucement dans la ligne de coupe.** Si vous reprenez la coupe avec le disque déjà dans la pièce, il risquera de se coincer, de remonter sur la pièce ou de provoquer un choc en retour.
9. **Soutenez les panneaux ou les pièces de grande taille pour réduire les risques de coincement du disque et de choc en retour.** Les pièces de grande taille ont tendance à ployer sous leur propre poids. Il est nécessaire de placer en dessous des cales à proximité de la ligne de coupe et près du rebord de la pièce de chaque côté du disque.
10. **Redoublez de précaution lorsque vous faites une « coupe en plongée » dans un mur ou toute autre surface pouvant cacher des structures.** Le disque, en dépassant derrière le mur ou la surface, peut couper des conduites de gaz ou d'eau, des fils électriques ou des objets pouvant causer un choc en retour.

### Consignes de sécurité supplémentaires :

1. Avant d'utiliser un disque diamanté à segments, assurez-vous que l'espace périphérique entre les segments est au maximum de 10 mm, et que l'angle de pente est négatif.
2. N'essayez jamais de couper en plaçant l'outil à l'envers dans un étai. Ceci est extrêmement dangereux et peut entraîner des accidents graves.
3. Certains matériaux contiennent des produits chimiques qui peuvent être toxiques. Prenez les précautions nécessaires pour éviter que la poussière dégagée lors du travail ne soit inhalée et n'entre en contact avec la peau. Suivez les données de sécurité du fournisseur du matériau.
4. Entrez les disques conformément aux recommandations du fabricant. Un entreposage incorrect risque d'endommager les disques.
5. Utilisez toujours le disque convenant à la tâche et au matériau à couper.
6. Examinez le matériau à couper avant la coupe. S'il contient des substances explosives ou inflammables, cela peut provoquer une explosion ou un incendie.
7. Ne mettez pas l'outil sous tension si un corps étranger est coincé entre le carter de protection et le disque. Dans ce cas, déinstallez la batterie et retirez le corps étranger.
8. Utilisez des dispositifs de serrage ou autre pour soutenir la pièce si possible.
9. Portez toujours des protections anti-bruit pendant l'utilisation.
10. Ne coupez pas de matériaux en bois avec cet outil.

## CONSERVEZ CES INSTRUCTIONS.

**⚠ AVERTISSEMENT :** NE vous laissez PAS tromper (au fil d'une utilisation répétée) par un sentiment d'aisance et de familiarité avec le produit, en négligeant le respect rigoureux des consignes de sécurité qui accompagnent le produit en question. La MAUVAISE UTILISATION de l'outil ou l'ignorance des consignes de sécurité indiquées dans ce mode d'emploi peut entraîner de graves blessures.

## Consignes de sécurité importantes pour la batterie

1. Avant d'utiliser la batterie, lisez toutes les instructions et précautions relatives (1) au chargeur de batterie, (2) à la batterie, et (3) au produit utilisant la batterie.
  2. Ne désassemblez pas et ne modifiez pas la batterie. Cela pourrait entraîner un incendie, une chaleur excessive ou une explosion.
  3. Cessez immédiatement l'utilisation si le temps de fonctionnement devient excessivement court. Il y a risque de surchauffe, de brûlures, voire d'explosion.
  4. Si l'électrolyte pénètre dans vos yeux, rincez-les à l'eau claire et consultez immédiatement un médecin. Il y a risque de perte de la vue.
  5. Ne court-circuitez pas la batterie :
    - (1) Ne touchez les bornes avec aucun matériau conducteur.
    - (2) Évitez de ranger la batterie dans un conteneur avec d'autres objets métalliques, par exemple des clous, des pièces de monnaie, etc.
    - (3) N'exposez pas la batterie à l'eau ou à la pluie.
- Un court-circuit de la batterie peut provoquer une intensité de courant élevée, une surchauffe, parfois des brûlures et même une panne.
6. Ne rangez ni n'utilisez l'outil et la batterie dans un endroit où la température risque d'atteindre ou de dépasser 50 °C.
  7. Ne jetez pas la batterie au feu même si elle est sérieusement endommagée ou complètement épuisée. La batterie peut exploser au contact du feu.
  8. Abstenez-vous de clouer, couper, écraser, jeter, laisser tomber la batterie, ou de la heurter contre un objet dur. Cela pourrait entraîner un incendie, une chaleur excessive ou une explosion.
  9. N'utilisez pas la batterie si elle est endommagée.
  10. Les batteries au lithium-ion contenues sont soumises aux exigences de la législation sur les marchandises dangereuses. Lors du transport commercial par des tiers parties ou des transitaires par exemple, des exigences spécifiques en matière d'étiquetage et d'emballage doivent être respectées. Pour la préparation de l'article expédié, il est nécessaire de consulter un expert en matériau dangereux. Veuillez également respecter les réglementations nationales susceptibles d'être plus détaillées. Recouvrez les contacts exposés avec du ruban adhésif ou du ruban de masquage et emballez la batterie de telle sorte qu'elle ne puisse pas bouger dans l'emballage.
  11. Lors de la mise au rebut de la batterie, retirez-la de l'outil et jetez-la en lieu sûr. Suivez les réglementations locales en matière de mise au rebut des batteries.
  12. Utilisez les batteries uniquement avec les produits spécifiés par Makita. L'insertion de batteries dans des produits non conformes peut provoquer un incendie, une chaleur excessive, une explosion ou une fuite de l'électrolyte.
  13. Lorsque vous n'utilisez pas l'outil pendant une période prolongée, la batterie doit être retirée de l'outil.
  14. Pendant et après l'utilisation, la batterie peut chauffer, ce qui peut entraîner des brûlures, y compris en cas de température relativement basse. Manipulez les batteries chaudes avec précaution.
  15. Ne touchez pas la borne de l'outil immédiatement après utilisation car elle peut être assez chaude pour provoquer des brûlures.
  16. Évitez que des copeaux, de la poussière ou du sol adhèrent aux bornes, aux trous et aux rainures de la batterie. Cela pourrait réduire les performances ou casser l'outil ou la batterie.
  17. À moins que l'outil prenne en charge un tel usage, n'utilisez pas la batterie à proximité de lignes électriques haute tension. Cela pourrait entraîner un dysfonctionnement ou casser l'outil ou la batterie.
  18. Conservez la batterie hors de portée des enfants.

## CONSERVEZ CES INSTRUCTIONS.

**⚠ ATTENTION : N'utilisez que des batteries Makita d'origine.** L'utilisation de batteries de marque autre que Makita ou de batteries modifiées peut provoquer l'explosion des batteries, ce qui présente un risque d'incendie, de dommages matériels et corporels. Cela annulera également la garantie Makita pour l'outil et le chargeur Makita.

## Conseils pour assurer la durée de vie optimale de la batterie

1. Chargez la batterie avant qu'elle ne soit complètement déchargée. Arrêtez toujours l'outil et rechargez la batterie quand vous remarquez que la puissance de l'outil diminue.
2. Ne rechargez jamais une batterie complètement chargée. La surcharge réduit la durée de service de la batterie.
3. Chargez la batterie à une température ambiante comprise entre 10 °C et 40 °C. Avant de charger une batterie chaude, laissez-la refroidir.
4. Lorsque vous n'utilisez pas la batterie, retirez-la de l'outil ou du chargeur.
5. Rechargez la batterie si elle est restée inutilisée pendant une période prolongée (plus de six mois).

## DESCRIPTION DES PIÈCES

► Fig.1

1	Disque à tronçonner abrasif/Disque diamanté	2	Carter du disque	3	Manche	4	Couvercle (pour le compartiment de la batterie)
5	Bouton de sécurité	6	Crochet	7	Lampe	8	Bouton de vérification
9	Témoin de la batterie	10	Témoin de surcharge	11	Bouton de la lampe	12	Gâchette
13	Poignée	14	Entrée pour l'eau	15	Robinet	16	Couvercle (pour la courroie trapézoïdale)
17	Bouton de verrouillage de l'arbre	18	Manchon de raccordement	19	Clé à douille	20	Clé hexagonale

## DESCRIPTION DU FONCTIONNEMENT

**⚠ ATTENTION :** Assurez-vous toujours que l'outil est hors tension et que sa batterie est retirée avant de l'ajuster ou de vérifier son fonctionnement.

### Insertion ou retrait de la batterie

**⚠ ATTENTION :** Éteignez toujours l'outil avant de mettre en place ou de retirer la batterie.

**⚠ ATTENTION :** Tenez fermement l'outil et la batterie lors de la mise en place ou du retrait de la batterie. Si vous ne tenez pas fermement l'outil et la batterie, ils peuvent vous glisser des mains, et s'abîmer ou vous blesser.

Pour mettre la batterie en place, ouvrez le couvercle tout en relâchant le crochet. Alignez la languette sur la batterie avec la rainure sur le compartiment et insérez-la. Insérez-la à fond jusqu'à ce qu'un léger déclic se fasse entendre. Si le voyant rouge sur le dessus du bouton est visible, cela signifie qu'elle n'est pas bien verrouillée.

Après avoir installé ou retiré les batteries, assurez-vous que le couvercle est fermé et verrouillé par le crochet.

► Fig.2: 1. Couvercle 2. Crochet

Pour retirer la batterie, soulevez-la tout en appuyant sur le bouton à l'avant de la batterie.

► Fig.3: 1. Indicateur rouge 2. Bouton 3. Batterie

**⚠ ATTENTION :** Insérez toujours complètement la batterie jusqu'à ce que le voyant rouge ne soit plus visible. Sinon, elle pourrait tomber accidentellement de l'outil, au risque de vous blesser ou de blesser quelqu'un se trouvant près de vous.

**⚠ ATTENTION :** N'insérez pas la batterie de force. Si elle ne glisse pas facilement, c'est que vous ne l'insérez pas correctement.

**NOTE :** L'outil ne peut pas fonctionner avec une seule batterie.

### Indication de la charge restante de la batterie

*Uniquement pour les batteries avec voyant lumineux*

► Fig.4: 1. Témoins 2. Bouton de vérification

Appuyez sur le bouton de vérification sur la batterie pour indiquer la charge restante de la batterie. Les témoins s'allument pendant quelques secondes.

Témoins			Charge restante
Allumé	Éteint	Clignotant	
■	□	◐	75 % à 100 %
■	■	□	50 % à 75 %
■	■	□	25 % à 50 %
■	□	□	0 % à 25 %
◐	□	□	Chargez la batterie.
■	■	□	Anomalie possible de la batterie.
□	□	■	

**NOTE :** Selon les conditions d'utilisation et la température ambiante, l'indication peut être légèrement différente de la capacité réelle.

**NOTE :** Le premier témoin (complètement à gauche) clignotera pendant le fonctionnement du système de protection de la batterie.

## Indication de la charge restante de la batterie

► **Fig.5:** 1. Témoin de la batterie 2. Bouton de vérification

Appuyez sur le bouton de vérification pour indiquer la charge restante de la batterie. Les témoins de batterie correspondent à chaque batterie.

Statut du témoin de la batterie			Charge restante de la batterie
Allumé	Éteint	Clignotant	
■	□	◐	50 % à 100 %
■	■	□	20 % à 50 %
■	■	□	0 % à 20 %
■	■	□	Chargez la batterie

## Système de protection de l'outil/la batterie

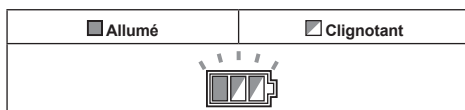
L'outil est équipé d'un système de protection de l'outil/la batterie. Ce système coupe automatiquement l'alimentation vers le moteur pour prolonger la durée de vie de l'outil et de la batterie. Si l'outil ou la batterie se trouve dans l'une des situations suivantes, l'outil cessera automatiquement de fonctionner. Dans certaines situations, les témoins s'allument.

### Protection contre la surcharge

Lorsque l'outil ou la batterie est utilisé(e) d'une manière provoquant un appel de courant anormalement élevé, l'outil s'arrête automatiquement. Dans ce cas, éteignez l'outil et arrêtez la tâche ayant provoqué la surcharge de l'outil. Puis rallumez l'outil pour reprendre la tâche.

### Protection contre la surchauffe

En cas de surchauffe de l'outil, celui-ci s'arrête automatiquement et le témoin de la batterie clignote pendant 60 secondes environ. Dans ce cas, laissez l'outil refroidir avant de le rallumer.



### Protection contre la décharge totale de la batterie

Lorsque la charge restante de la batterie devient très faible, l'outil s'arrête automatiquement. Si le produit ne fonctionne pas même en actionnant les boutons, retirez les batteries de l'outil et chargez-les.

### Alerte en cas de surcharge

Si l'outil est utilisé avec une charge excessive, le témoin de surcharge clignote en rouge. Dans ce cas, réduisez la charge exercée sur l'outil. Alors, le témoin cessera de clignoter.

► **Fig.6:** 1. Témoin de surcharge

### Fonctionnement de la gâchette

**⚠ AVERTISSEMENT :** Avant d'insérer la batterie dans l'outil, vérifiez toujours que la gâchette fonctionne bien et revient en position d'arrêt lorsque vous la relâchez.

**⚠ AVERTISSEMENT :** NE bloquez JAMAIS le bouton de sécurité avec du ruban ou de toute autre manière. Une gâchette dont le bouton de sécurité est bloqué comporte un risque d'activation accidentelle pouvant entraîner de graves blessures.

**⚠ AVERTISSEMENT :** N'utilisez JAMAIS l'outil s'il se met en marche lorsque vous enclenchez simplement la gâchette sans avoir enfoncé le bouton de sécurité. Une gâchette devant être réparée comporte un risque d'activation accidentelle pouvant entraîner de graves blessures. Confiez l'outil à un centre d'entretien Makita pour le faire réparer AVANT de poursuivre l'utilisation.

Pour éviter tout déclenchement accidentel de la gâchette, l'outil est muni d'un bouton de sécurité. Pour démarrer l'outil, enfoncez le bouton de sécurité et enclenchez la gâchette. Pour arrêter l'outil, relâchez la gâchette.

► **Fig.7:** 1. Gâchette 2. Bouton de sécurité

**REMARQUE** : Évitez d'enclencher la gâchette avec force lorsque le bouton de sécurité n'est pas enfoncé. Vous risqueriez de briser la gâchette.

## Allumage de la lampe

**ATTENTION** : Évitez de regarder directement le faisceau lumineux ou sa source.

Pour allumer la lampe, appuyez sur le bouton de la lampe. Pour l'éteindre, appuyez à nouveau sur le bouton de la lampe.

► **Fig.8:** 1. Bouton de la lampe 2. Lampe

**NOTE** : La lampe s'éteint automatiquement en cas d'inactivité de l'outil pendant une minute.

## ASSEMBLAGE

**ATTENTION** : Assurez-vous toujours que l'outil est hors tension et que sa batterie est retirée avant d'effectuer toute tâche dessus.

### Installation ou retrait du disque à tronçonner abrasif/disque diamanté

**ATTENTION** : Utilisez exclusivement la clé Makita pour installer ou retirer le disque.

**ATTENTION** : Lorsque vous installez le disque, veillez à serrer fermement le boulon.

**ATTENTION** : N'appuyez pas sur le bouton de verrouillage de l'arbre pendant que le disque tourne.

Pour retirer le disque, appuyez sur le bouton de verrouillage de l'arbre et tournez le disque à fond. Avec le verrouillage de l'arbre complètement verrouillé, tournez le boulon hexagonal dans le sens inverse des aiguilles d'une montre au moyen de la clé à douille. Retirez ensuite le boulon hexagonal, le flasque extérieur et le disque.

► **Fig.9:** 1. Bouton de verrouillage de l'arbre 2. Clé à douille 3. Serrer 4. Desserrer

► **Fig.10:** 1. Boulon hexagonal 2. Flasque extérieur (noir) 3. Disque à tronçonner abrasif/Disque diamanté 4. Flasque intérieur (argent) 5. Flèche (sens de rotation du disque)

Pour installer le disque, suivez la procédure de retrait en sens inverse.

**ASSUREZ-VOUS D'AVOIR FERMEMENT SERRÉ LE BOULON HEXAGONAL.**

**ATTENTION** : Posez toujours le disque de sorte que la flèche dessus soit dirigée dans le même sens que la flèche sur le carter du disque. Autrement, le disque tournera en sens inverse, ce qui présente un risque de blessure corporelle.

**ATTENTION** : N'utilisez qu'un disque marqué d'une vitesse supérieure ou égale à la vitesse marquée sur l'outil.

**NOTE** : Si un flasque intérieur est retiré par inadvertance, installez le flasque intérieur de sorte que sa partie saillante plus haute soit tournée vers le côté de l'outil comme illustré sur la figure.

► **Fig.11:** 1. Boulon hexagonal 2. Flasque extérieur (noir) 3. Disque à tronçonner abrasif/Disque diamanté 4. Flasque intérieur (argent) 5. Partie saillante (plus haute)

## Connexion à l'alimentation en eau

1. Préparez un tuyau d'eau.  
2. Retirez l'écrou sur le manchon de raccordement et faites passer le tuyau d'eau par l'écrou. Insérez l'extrémité du tuyau dans le manchon de raccordement, puis serrez l'écrou.

► **Fig.12:** 1. Tuyau d'eau 2. Écrou du manchon de raccordement 3. Manchon de raccordement

3. Raccordez le tuyau d'eau à l'alimentation en eau.

Lors de la connexion à un robinet d'eau, utilisez un raccord approprié comme un collier de tuyau ou un joint de robinet d'eau.

► **Fig.13:** 1. Collier de tuyau 2. Joint de robinet d'eau 3. Tuyau d'eau

**NOTE** : Le raccord dépend de la forme du robinet de raccordement. Préparez un raccord adapté en vente dans le commerce.

**NOTE** : Si vous utilisez un joint de robinet d'eau, préparez un autre manchon de raccordement et fixez-le à l'autre extrémité du tuyau.

**NOTE** : Lors de l'utilisation d'une pompe à eau, suivez les instructions de votre pompe à eau pour connecter le tuyau d'eau.

4. Poussez le manchon de raccordement dans l'entrée pour l'eau jusqu'à ce qu'il se verrouille en place avec un léger bruit sec.

► **Fig.14:** 1. Manchon de raccordement 2. Entrée pour l'eau 3. Robinet

**REMARQUE** : Laissez le robinet fermé jusqu'à ce que vous démarriez la coupe avec l'alimentation en eau. Pour savoir comment alimenter en eau, reportez-vous à la section Utilisation.

## UTILISATION

**ATTENTION** : Veillez à verrouiller le couvercle du compartiment de la batterie avant toute utilisation.

**ATTENTION** : Veillez à tenir fermement la pièce sur un établi stable ou une table pendant l'utilisation.

**ATTENTION** : Ne tordez ni ne forcez l'outil lors de la coupe sous peine de surcharger le moteur ou de rompre la pièce.

## Coupe

**⚠ ATTENTION** : Pendant le fonctionnement, n'amenez pas l'outil plus haut que vos épaules.

### ► Fig.15

Tenez l'outil fermement. Tenez la poignée avec la main droite et le manche avec la main gauche. Pour éviter les électrocutions en coupant accidentellement un câble électrique, tenez toujours le manche par la partie désignée comme illustré sur la figure.

### ► Fig.16: 1. Partie à tenir

Déplacez l'outil sur la surface de la pièce, en le maintenant à plat et en le faisant avancer doucement jusqu'à ce que la coupe soit terminée. Maintenez un trait de coupe bien droit et une vitesse de progression constante.

### ► Fig.17

**NOTE** : Si la température de la batterie est basse, il se peut que l'outil ne fonctionne pas à son plein potentiel. Pour l'instant, par exemple, utilisez l'outil pour une coupe légère pendant un moment jusqu'à ce que la batterie soit à température ambiante. Ensuite, l'outil peut fonctionner à son plein potentiel.

**NOTE** : Si la capacité de coupe du disque diamanté commence à diminuer, affûtez le tranchant du disque au moyen d'un vieux touret à gros grains ou d'un bloc en béton. Lorsque vous affûtez le disque diamanté, exercez une légère pression sur son bord extérieur.

## Lorsque vous alimentez en eau pendant la coupe

**⚠ ATTENTION** : Lors de l'utilisation d'un disque diamanté humide, alimentez toujours en eau pendant la coupe.

Connectez l'outil à l'alimentation en eau et tournez le robinet dans le sens de la flèche comme illustré. Ajustez la position du robinet pour obtenir un léger écoulement d'eau.

### ► Fig.18: 1. Robinet

**⚠ ATTENTION** : Lors de l'alimentation en eau, gardez toujours la tête de l'outil plus bas que le corps de l'outil pour empêcher que l'eau ne pénètre dans le mécanisme de l'outil. Vous risqueriez autrement de vous électrocuter.

### ► Fig.19

## ENTRETIEN

**⚠ ATTENTION** : Assurez-vous toujours que l'outil est hors tension et que la batterie est retirée avant d'y effectuer tout travail d'inspection ou d'entretien.

**REMARQUE** : N'utilisez jamais d'essence, benzène, diluant, alcool ou autre produit similaire. Cela risquerait de provoquer la décoloration, la déformation ou la fissuration de l'outil.

Pour assurer la SÉCURITÉ et la FIABILITÉ du produit, toute réparation, tout travail d'entretien ou de réglage doivent être effectués par un centre d'entretien Makita agréé, avec des pièces de rechange Makita.

## Nettoyage de l'outil

Après chaque utilisation, retirez la batterie et le disque, puis nettoyez la poussière, la saleté ou les éclats de métal accumulés à l'intérieur du carter du disque. Nettoyez le corps de l'outil en essuyant la poussière ou la saleté avec un chiffon sec ou un chiffon imbibé d'eau savonneuse bien essoré. Retirez la saleté sur la lentille de la lampe avec un chiffon sec. Prenez soin de ne pas érafler la lentille de la lampe sous peine de diminuer son éclairage.

### ► Fig.20: 1. Carter du disque 2. Lentille de la lampe

## Nettoyage de l'orifice d'aération

Nettoyez régulièrement les orifices d'aération de l'outil ou dès qu'ils sont obstrués.

### ► Fig.21: 1. Orifice d'entrée d'air 2. Orifice de sortie d'air

## Remplacement de la courroie trapézoïdale

1. Retirez la batterie et le disque.
2. Desserrez les boulons à tête cylindrique à six pans creux au moyen de la clé hexagonale, puis retirez le couvercle.  
► Fig.22: 1. Boulon à tête cylindrique à six pans creux 2. Couvercle

3. Tout en tordant fortement la courroie trapézoïdale de sorte que sa face interne soit tournée vers le haut comme illustré sur la figure, tournez le boulon sur la poulie (grande) dans le sens des aiguilles d'une montre au moyen de la clé à douille.

La courroie trapézoïdale sort de sa voie et se détache à mesure que vous tournez le boulon.

### ► Fig.23: 1. Courroie trapézoïdale 2. Poulie (grande) 3. Clé à douille

**REMARQUE** : Ne tournez jamais la clé à douille dans le sens inverse des aiguilles d'une montre. Cela desserre le boulon sur la poulie (grande) et provoque des performances médiocres.

4. Accrochez la courroie trapézoïdale neuve à la poulie (petite). Placez l'autre extrémité de la courroie trapézoïdale sur la poulie (grande) de sorte qu'elle soit partiellement accrochée sur le rail avant de la poulie. (Vous n'avez pas besoin d'accrocher la courroie trapézoïdale sur tous les rails de la poulie à cette étape.) Ceci fait, tournez le boulon sur la poulie (grande) dans le sens des aiguilles d'une montre au moyen de la clé à douille.

La courroie trapézoïdale se remet sur sa voie à mesure que vous tournez le boulon.

### ► Fig.24: 1. Poulie (petite) 2. Poulie (grande) 3. Clé à douille

Assurez-vous que tous les guides sur le cercle interne de la courroie trapézoïdale entrent dans les rails sur les poulies. Tous les rails sur la poulie doivent soutenir les guides sur la courroie trapézoïdale. S'il y a un rail qui ne soutient pas le guide, la courroie trapézoïdale n'est pas correctement installée.

### ► Fig.25: 1. Rail sur la poulie 2. Guide sur la courroie trapézoïdale

5. Placez le couvercle sur l'outil et serrez les boulons à tête cylindrique à six pans creux au moyen de la clé hexagonale.  
► Fig.26: 1. Tube 2. Couvercle 3. Boulon à tête cylindrique à six pans creux

**REMARQUE** : Assurez-vous que le tube pour l'alimentation en eau se trouve dans les positions illustrées sur la figure avant de fixer le couvercle.

# GUIDE DE DÉPANNAGE

Avant de faire une demande de réparation, effectuez d'abord vous-même une inspection. Si vous rencontrez un problème non documenté dans le mode d'emploi, n'essayez pas de démonter l'outil. Demandez plutôt à un centre de service après-vente Makita agréé d'effectuer la réparation au moyen de pièces de rechange Makita.

État d'anomalie	Cause probable (dysfonctionnement)	Solution
Le moteur ne tourne pas.	Les batteries ne sont pas installées.	Installez les deux batteries. Cet outil ne fonctionne pas avec une batterie.
	Problème de batterie (sous tension)	Rechargez la batterie. Si vous n'arrivez pas à recharger les batteries, remplacez-les.
	Le mécanisme d'entraînement ne fonctionne pas correctement.	Demandez à votre centre de service après-vente local agréé d'effectuer la réparation.
Le moteur s'arrête au bout d'un court moment.	La charge de la batterie est faible.	Rechargez la batterie. Si vous n'arrivez pas à recharger les batteries, remplacez-les.
	Surchauffe.	Arrêtez d'utiliser l'outil pour le laisser refroidir.
La rotation du disque n'accélère pas correctement même après avoir fait tourner l'outil sans charge pendant 20 secondes.	La batterie n'est pas bien installée.	Installez la batterie comme décrit dans ce mode d'emploi.
	La batterie faiblit.	Rechargez la batterie. Si vous n'arrivez pas à recharger les batteries, remplacez-les.
	La courroie trapézoïdale est glissante.	Remplacez la courroie trapézoïdale par une neuve.
Le disque ne tourne pas : ⇒ arrêtez immédiatement la machine !	Le mécanisme d'entraînement ne fonctionne pas correctement.	Demandez à votre centre de service après-vente local agréé d'effectuer la réparation.
	La courroie trapézoïdale est glissante.	Remplacez la courroie trapézoïdale par une neuve.
	Un corps étranger est coincé entre le carter de protection et le disque.	Désinstallez la batterie, puis retirez le corps étranger.
Vibration anormale : ⇒ arrêtez immédiatement la machine !	Le mécanisme d'entraînement ne fonctionne pas correctement.	Demandez à votre centre de service après-vente local agréé d'effectuer la réparation.
	Fixation incorrecte du disque.	Installez le disque comme indiqué dans ce mode d'emploi. Serrez le boulon pour maintenir fermement en place le disque.
L'outil de coupe et le moteur ne s'arrêtent pas : ⇒ Retirez immédiatement la batterie !	Dysfonctionnement électrique ou électronique.	Retirez la batterie et demandez à votre centre de service après-vente local agréé d'effectuer la réparation.
Performance de coupe médiocre	Le moment est venu de remplacer le disque.	Remplacez le disque par un neuf.
De l'eau fuit de l'entrée.	L'eau fuit par le joint torique.	Demandez à votre centre de service après-vente local agréé d'effectuer la réparation.

## ACCESSOIRES EN OPTION

**⚠ ATTENTION : Ces accessoires ou pièces complémentaires sont recommandés pour l'utilisation avec l'outil Makita spécifié dans ce mode d'emploi.** L'utilisation de tout autre accessoire ou pièce complémentaire peut comporter un risque de blessure. N'utilisez les accessoires ou pièces complémentaires qu'aux fins auxquelles ils ont été conçus.

- Jeu de 60 flasques (selon le pays)
- Clé à douille
- Clé hexagonale
- Batterie et chargeur Makita d'origine

**NOTE :** Il se peut que certains éléments de la liste soient compris dans l'emballage de l'outil en tant qu'accessoires standard. Ils peuvent varier d'un pays à l'autre.

Pour obtenir plus de détails sur ces accessoires, contactez votre centre d'entretien local Makita.

- Disque à tronçonner abrasif
- Disque diamanté
- Courroie trapézoïdale
- Manchon de raccordement



## TECHNISCHE DATEN

Modell:	DCE090
Scheibendurchmesser	230 mm
Max. Scheibendicke	3,0 mm
Maximale Schnitttiefe	88 mm
Nenn Drehzahl	6.600 min <sup>-1</sup>
Nennspannung	36 V Gleichstrom
Maximal zulässiger Speisewasserdruck	5,0 bar
Gesamtlänge	554 mm
Nettogewicht	5,6 - 6,3 kg

- Wir behalten uns vor, Änderungen der technischen Daten im Zuge der Entwicklung und des technischen Fortschritts ohne vorherige Ankündigung vorzunehmen.
- Die technischen Daten können von Land zu Land unterschiedlich sein.
- Das Gewicht kann abhängig von dem Aufsatz (den Aufsätzen), einschließlich des Akkus, unterschiedlich sein. Die leichteste und die schwerste Kombination, gemäß dem EPTA-Verfahren 01/2014, sind in der Tabelle angegeben.

## Zutreffende Akkus und Ladegeräte

Akku	BL1815N / BL1820 / BL1820B / BL1830 / BL1830B / BL1840 / BL1840B / BL1850 / BL1850B / BL1860B
Ladegerät	DC18RC / DC18RD / DC18RE / DC18SD / DC18SE / DC18SF / DC18SH

- Einige der oben aufgelisteten Akkus und Ladegeräte sind je nach Ihrem Wohngebiet eventuell nicht erhältlich.

**⚠️ WARNUNG:** Verwenden Sie nur die oben aufgeführten Akkus und Ladegeräte. Bei Verwendung irgendwelcher anderer Akkus und Ladegeräte besteht Verletzungs- und/oder Brandgefahr.

## Vorgesehene Verwendung

Das Werkzeug ist zum Schneiden von Metallmaterial mit einer Trennschleifscheibe und auch von Mauerwerk mit einer Diamantscheibe vorgesehen.

## Geräusch

Typischer A-bewerteter Geräuschpegel ermittelt gemäß EN60745-2-22:

Schalldruckpegel ( $L_{pA}$ ): 103 dB (A)

Schallleistungspegel ( $L_{WA}$ ): 114 dB (A)

Messunsicherheit (K): 3 dB (A)

**HINWEIS:** Der (Die) angegebene(n) Schallemissionswert(e) wurde(n) im Einklang mit der Standardprüfmethode gemessen und kann (können) für den Vergleich zwischen Werkzeugen herangezogen werden.

**HINWEIS:** Der (Die) angegebene(n) Schallemissionswert(e) kann (können) auch für eine Vorbewertung des Gefährdungsgrads verwendet werden.

**⚠️ WARNUNG:** Einen Gehörschutz tragen.

**⚠️ WARNUNG:** Die Schallemission während der tatsächlichen Benutzung des Elektrowerkzeugs kann je nach der Benutzungsweise des Werkzeugs, und speziell je nach der Art des bearbeiteten Werkstücks, von dem (den) angegebenen Wert(en) abweichen.

**⚠️ WARNUNG:** Identifizieren Sie Sicherheitsmaßnahmen zum Schutz des Benutzers anhand einer Schätzung des Gefährdungsgrads unter den tatsächlichen Benutzungsbedingungen (unter Berücksichtigung aller Phasen des Arbeitszyklus, wie z. B. Ausschalt- und Leerlaufzeiten des Werkzeugs zusätzlich zur Betriebszeit).

## Schwingungen

Arbeitsmodus: Betonschneiden

Linksdrehung		Rechtsdrehung		Zutreffender Standard
$a_{h,w}$ (m/s <sup>2</sup> )	Messunsicherheit K (m/s <sup>2</sup> )	$a_{h,w}$ (m/s <sup>2</sup> )	Messunsicherheit K (m/s <sup>2</sup> )	
5,9	1,5	4,0	1,5	EN60745-2-22

**HINWEIS:** Der (Die) angegebene(n) Vibrationsgesamtwert(e) wurde(n) im Einklang mit der Standardprüfmethode gemessen und kann (können) für den Vergleich zwischen Werkzeugen herangezogen werden.

**HINWEIS:** Der (Die) angegebene(n) Vibrationsgesamtwert(e) kann (können) auch für eine Vorbewertung des Gefährdungsgrads verwendet werden.

**⚠️ WARNUNG:** Die Vibrationsemission während der tatsächlichen Benutzung des Elektrowerkzeugs kann je nach der Benutzungsweise des Werkzeugs, und speziell je nach der Art des bearbeiteten Werkstücks, von dem (den) angegebenen Emissionswert(en) abweichen.

**⚠️ WARNUNG:** Identifizieren Sie Sicherheitsmaßnahmen zum Schutz des Benutzers anhand einer Schätzung des Gefährdungsgrads unter den tatsächlichen Benutzungsbedingungen (unter Berücksichtigung aller Phasen des Arbeitszyklus, wie z. B. Ausschalt- und Leerlaufzeiten des Werkzeugs zusätzlich zur Betriebszeit).

## EG-Konformitätserklärung

Nur für europäische Länder

Die EG-Konformitätserklärung ist als Anhang A in dieser Bedienungsanleitung enthalten.

## SICHERHEITSWARNUNGEN

### Allgemeine Sicherheitswarnungen für Elektrowerkzeuge

**⚠️ WARNUNG:** Lesen Sie alle mit diesem Elektrowerkzeug gelieferten Sicherheitswarnungen, Anweisungen, Abbildungen und technischen Daten durch. Eine Missachtung der unten aufgeführten Anweisungen kann zu einem elektrischen Schlag, Brand und/oder schweren Verletzungen führen.

### Bewahren Sie alle Warnungen und Anweisungen für spätere Bezugnahme auf.

Der Ausdruck „Elektrowerkzeug“ in den Warnhinweisen bezieht sich auf Ihr mit Netzstrom (mit Kabel) oder Akku (ohne Kabel) betriebenes Elektrowerkzeug.

## Sicherheitswarnungen für Akku Fliesen- und Glas-Schneider

1. Die mit dem Werkzeug gelieferte Schutzhaube muss sicher am Elektrowerkzeug befestigt und für maximale Sicherheit positioniert werden, um das Gefahrenpotenzial der Trennscheibe für die Bedienungsperson minimal zu halten. Achten Sie darauf, dass Sie selbst und Umstehende nicht in der Ebene der rotierenden Trennscheibe stehen. Die Schutzhaube schützt den Bediener vor Trennscheiben-Bruchstücken und versehentlichem Kontakt mit der Trennscheibe.
2. Verwenden Sie nur kunstharzgebundene faserverstärkte Trennscheiben oder Diamant-Trennscheiben für Ihr Elektrowerkzeug. Die bloße Tatsache, dass ein Zubehörteil an Ihrem Elektrowerkzeug angebracht werden kann, gewährleistet noch keinen sicheren Betrieb.
3. Die Nenndrehzahl des Zubehörteils muss mindestens der am Elektrowerkzeug angegebenen Maximaldrehzahl entsprechen. Zubehörteile, die schneller als ihre Nenndrehzahl rotieren, können bersten und auseinander fliegen.
4. Scheiben dürfen nur für empfohlene Anwendungen eingesetzt werden. Zum Beispiel: Nicht mit der Seite einer Trennscheibe schleifen. Da Trennschleifscheiben für Periphereschleifen vorgesehen sind, können sie durch seitlich einwirkende Kräfte zerschmettert werden.

5. **Verwenden Sie stets unbeschädigte Scheibenflansche des korrekten Durchmessers für die ausgewählte Trennscheibe.** Korrekte Scheibenflansche stützen die Trennscheibe und reduzieren somit die Möglichkeit eines Scheibenbruchs.
  6. **Verwenden Sie keine abgenutzten faserverstärkten Trennscheiben von größeren Elektrowerkzeugen.** Trennscheiben für größere Elektrowerkzeuge eignen sich nicht für die höhere Drehzahl eines kleineren Werkzeugs und können bersten.
  7. **Außendurchmesser und Dicke des Zubehörteils müssen innerhalb der Kapazitätsgrenzen Ihres Elektrowerkzeugs liegen.** Zubehörteile der falschen Größe können nicht angemessen geschützt oder kontrolliert werden.
  8. **Die Spindelbohrung von Trennscheiben und Flanschen muss genau der Spindel des Elektrowerkzeugs angepasst sein.** Trennscheiben und Flansche, deren Spindelbohrung nicht genau auf den Montageflansch des Elektrowerkzeugs passt, laufen unruhig, vibrieren übermäßig und können einen Verlust der Kontrolle verursachen.
  9. **Verwenden Sie keine beschädigten Trennscheiben. Überprüfen Sie die Trennscheiben vor jeder Benutzung auf Absplittierungen und Risse. Falls das Elektrowerkzeug oder die Trennscheibe herunterfällt, überprüfen Sie das Teil auf Beschädigung, oder montieren Sie eine unbeschädigte Trennscheibe. Achten Sie nach der Überprüfung und Installation der Trennscheibe darauf, dass Sie selbst und Umstehende nicht in der Rotationsebene der Trennscheibe stehen, und lassen Sie das Elektrowerkzeug eine Minute lang mit maximaler Leerlaufdrehzahl laufen.** Beschädigte Trennscheiben brechen normalerweise während dieses Probelaufs auseinander.
  10. **Tragen Sie persönliche Schutzausrüstung. Benutzen Sie je nach der Arbeit einen Gesichtsschutz bzw. eine Sicherheits- oder Schutzbrille. Tragen Sie bei Bedarf eine Staubmaske, Ohrenschützer, Handschuhe und eine Arbeitsschürze, die in der Lage ist, kleine Schleifpartikel oder Werkstücksplitter abzuwehren.** Der Augenschutz muss in der Lage sein, den bei verschiedenen Arbeiten anfallenden Flugstaub abzuwehren. Die Staubmaske oder Atemschutzmaske muss in der Lage sein, durch die Arbeit erzeugte Partikel herauszufiltern. Lang anhaltende Lärmbelastung kann zu Gehörschäden führen.
  11. **Halten Sie Umstehende in sicherem Abstand vom Arbeitsbereich. Jeder, der den Arbeitsbereich betritt, muss persönliche Schutzausrüstung tragen.** Bruchstücke des Werkstücks oder einer beschädigten Trennscheibe können weggeschleudert werden und Verletzungen über den unmittelbaren Arbeitsbereich hinaus verursachen.
  12. **Halten Sie das Elektrowerkzeug nur an den isolierten Griffflächen, wenn Sie Arbeiten ausführen, bei denen die Gefahr besteht, dass das Schneidzubehör verborgene Kabel kontaktiert.** Bei Kontakt mit einem Strom führenden Kabel können die freiliegenden Metallteile des Elektrowerkzeugs ebenfalls Strom führend werden, so dass der Benutzer einen elektrischen Schlag erleiden kann.
  13. **Legen Sie das Elektrowerkzeug erst ab, nachdem das Zubehörteil zum vollständigen Stillstand gekommen ist.** Anderenfalls kann die rotierende Trennscheibe die Oberfläche erfassen und das Elektrowerkzeug aus Ihren Händen reißen.
  14. **Lassen Sie das Elektrowerkzeug nicht laufen, während Sie es an Ihrer Seite tragen.** Das rotierende Zubehörteil könnte sonst bei versehentlichem Kontakt Ihre Kleidung erfassen und auf Ihren Körper zu gezogen werden.
  15. **Reinigen Sie die Ventilationsöffnungen des Elektrowerkzeugs regelmäßig.** Der Lüfter des Motors saugt Staub in das Gehäuse an, und starke Ablagerungen von Metallstaub können elektrische Gefahren verursachen.
  16. **Betreiben Sie das Elektrowerkzeug nicht in der Nähe von brennbaren Materialien.** Funken könnten diese Materialien entzünden.
- Warnungen vor Rückschlag und damit zusammenhängenden Gefahren**
- Rückschlag ist eine plötzliche Reaktion auf eine eingeklemmte oder stockende Trennscheibe. Klemmen oder Hängenbleiben verursacht sofortiges Stocken der rotierenden Trennscheibe, was wiederum dazu führt, dass das außer Kontrolle geratene Elektrowerkzeug am Stockpunkt in die entgegengesetzte Drehrichtung der Trennscheibe geschleudert wird.
- Wenn beispielsweise eine Schleifscheibe vom Werkstück erfasst oder eingeklemmt wird, kann sich die in den Klemmpunkt eindringende Schleifscheibenkante in die Materialoberfläche bohren, so dass sie herausspringt oder zurückschlägt. Je nach der Drehrichtung der Schleifscheibe am Klemmpunkt kann die Schleifscheibe auf die Bedienungsperson zu oder von ihr weg springen. Schleifscheiben können unter solchen Bedingungen auch brechen.
- Rückschlag ist das Resultat falscher Handhabung des Elektrowerkzeugs und/oder falscher Arbeitsverfahren oder -bedingungen und kann durch Anwendung der nachstehenden Vorsichtsmaßnahmen vermieden werden.
1. **Halten Sie das Elektrowerkzeug mit festem Griff, und positionieren Sie Ihren Körper und Arm so, dass Sie die Rückschlagkräfte auffangen können. Benutzen Sie stets den Zusatzgriff, wenn vorhanden, um maximale Kontrolle über Rückschlag oder Drehbewegungen während des Anlaufs zu haben.** Drehbewegungen oder Rückschlagkräfte können kontrolliert werden, wenn entsprechende Vorkehrungen getroffen werden.
  2. **Legen Sie Ihre Hand niemals in die Nähe des rotierenden Zubehörteils.** Bei einem Rückschlag könnte das Zubehörteil Ihre Hand verletzen.
  3. **Stellen Sie sich nicht so, dass sich Ihr Körper in einer Linie mit der rotierenden Trennscheibe befindet.** Der Rückschlag schleudert das Werkzeug am Stockpunkt in die entgegengesetzte Drehrichtung der Trennscheibe.
  4. **Lassen Sie beim Bearbeiten von Ecken und scharfen Kanten usw. besondere Vorsicht walten. Vermeiden Sie Anstoßen und Verhaken des Zubehörteils.** Ecken, scharfe Kanten oder Anstoßen führen leicht zu Hängenbleiben des rotierenden Zubehörteils und verursachen Verlust der Kontrolle oder Rückschlag.

5. **Bringen Sie keine Sägeketten, Holzfräsen, Segment-Diamantscheiben mit einem Randspalt von mehr als 10 mm oder gezahnte Sägeblätter an.** Solche Blätter verursachen häufige Rückschläge und Verlust der Kontrolle.
  6. **Vermeiden Sie „Verkanten“ der Trennscheibe oder die Ausübung übermäßigen Drucks. Versuchen Sie nicht, übermäßig tiefe Schnitte zu machen.** Überbeanspruchung der Trennscheibe erhöht die Belastung und die Empfänglichkeit für Verdrehen oder Klemmen der Trennscheibe im Schnitt sowie die Möglichkeit von Rückschlag oder Scheibenbruch.
  7. **Falls die Trennscheibe klemmt oder der Schnitt aus irgendeinem Grund unterbrochen wird, schalten Sie das Elektrowerkzeug aus und halten Sie es bewegungslos im Werkstück, bis die Trennscheibe zum völligen Stillstand kommt. Versuchen Sie auf keinen Fall, die rotierende Trennscheibe aus dem Schnitt zu entfernen, weil sonst ein Rückschlag auftreten kann.** Nehmen Sie eine Überprüfung vor, und treffen Sie Abhilfemaßnahmen, um die Ursache von Trennscheiben-Klemmen zu beseitigen.
  8. **Setzen Sie den Schnittbetrieb nicht mit im Werkstück fort. Führen Sie die Trennscheibe vorsichtig in den Schnitt ein, nachdem sie die volle Drehzahl erreicht hat.** Wird das Elektrowerkzeug mit im Werkstück sitzender Trennscheibe eingeschaltet, kann die Trennscheibe klemmen, hochsteigen oder zurückschlagen.
  9. **Stützen Sie Platten oder andere übergroße Werkstücke ab, um die Gefahr von Klemmen oder Rückschlag der Trennscheibe zu minimieren.** Große Werkstücke neigen dazu, unter ihrem Eigengewicht durchzuhängen. Die Stützen müssen beidseitig der Trennscheibe nahe der Schnittlinie und in der Nähe der Werkstückkante unter das Werkstück platziert werden.
  10. **Lassen Sie besondere Vorsicht walten, wenn Sie einen „Taschenschnitt“ in bestehende Wände oder andere Blindflächen durchführen.** Die vorstehende Trennscheibe kann Gas- oder Wasserleitungen, Stromkabel oder Objekte durchschneiden, die Rückschlag verursachen können.
5. **Verwenden Sie stets eine für Ihre Arbeit und das zu schneidende Material geeignete Trennscheibe.**
  6. **Untersuchen Sie das zu schneidende Material vor dem Schneiden.** Falls das Material explosive oder brennbare Substanzen enthält, kann es eine Explosion oder einen Brand verursachen.
  7. **Schalten Sie das Werkzeug nicht ein, falls ein Fremdkörper zwischen Schutzhaube und Trennscheibe eingeklemmt ist.** Nehmen Sie in diesem Fall den Akku heraus, und entfernen Sie den Fremdkörper.
  8. **Stützen Sie das Werkstück nach Möglichkeit immer mit Klemmen oder ähnlichen Mitteln ab.**
  9. **Tragen Sie während der Arbeit stets einen Gehörschutz.**
  10. **Schneiden Sie kein Holzmaterial mit diesem Werkzeug.**

## BEWAHREN SIE DIESE ANLEITUNG AUF.

**⚠️ WARNUNG:** Lassen Sie sich NICHT durch Bequemlichkeit oder Vertrautheit mit dem Produkt (durch wiederholten Gebrauch erworben) von der strikten Einhaltung der Sicherheitsregeln für das vorliegende Produkt abhalten. **MISSBRAUCH** oder **Missachtung der Sicherheitsvorschriften** in dieser Anleitung können schwere Personenschäden verursachen.

## Wichtige Sicherheitsanweisungen für Akku

1. **Lesen Sie vor der Benutzung des Akkus alle Anweisungen und Warnhinweise, die an (1) Ladegerät, (2) Akku und (3) Akkuwerkzeug angebracht sind.**
  2. **Unterlassen Sie Zerlegen oder Manipulieren des Akkus.** Es kann sonst zu einem Brand, übermäßiger Hitzeentwicklung oder einer Explosion kommen.
  3. **Falls die Betriebszeit beträchtlich kürzer geworden ist, stellen Sie den Betrieb sofort ein. Anderenfalls besteht die Gefahr von Überhitzung, möglichen Verbrennungen und sogar einer Explosion.**
  4. **Falls Elektrolyt in Ihre Augen gelangt, waschen Sie sie mit sauberem Wasser aus, und begeben Sie sich unverzüglich in ärztliche Behandlung. Anderenfalls können Sie Ihre Sehkraft verlieren.**
  5. **Der Akku darf nicht kurzgeschlossen werden:**
    - (1) Die Kontakte dürfen nicht mit leitfähigem Material berührt werden.
    - (2) Lagern Sie den Akku nicht in einem Behälter zusammen mit anderen Metallgegenständen, wie z. B. Nägel, Münzen usw.
    - (3) Setzen Sie den Akku weder Wasser noch Regen aus.

Ein Kurzschluss des Akkus verursacht starken Stromfluss, der Überhitzung, mögliche Verbrennungen und einen Defekt zur Folge haben kann.
- Zusätzliche Sicherheitswarnungen:**
1. **Bevor Sie eine Segment-Diamantscheibe verwenden, vergewissern Sie sich, dass die Diamantscheibe einen Randspalt zwischen den Segmenten von maximal 10 mm hat, und nur einen negativen Spanwinkel aufweist.**
  2. **Versuchen Sie niemals, das Werkzeug zum Schneiden verkehrt herum in einen Schraubstock einzuspannen. Dies ist sehr gefährlich und kann zu schweren Unfällen führen.**
  3. **Manche Materialien können giftige Chemikalien enthalten. Treffen Sie Vorsichtsmaßnahmen, um das Einatmen von Arbeitsstaub und Hautkontakt zu verhindern. Befolgen Sie die Sicherheitsdaten des Materialherstellers.**
  4. **Lagern Sie Trennscheiben gemäß Herstellerempfehlung. Falsche Lagerung kann die Trennscheiben beschädigen.**

6. Lagern und benutzen Sie das Werkzeug und den Akku nicht an Orten, an denen die Temperatur 50 °C erreichen oder überschreiten kann.
7. Versuchen Sie niemals, den Akku zu verbrennen, selbst wenn er stark beschädigt oder vollkommen verbraucht ist. Der Akku kann im Feuer explodieren.
8. Unterlassen Sie Nageln, Schneiden, Zerquetschen, Werfen, Fallenlassen des Akkus oder Schlagen des Akkus mit einem harten Gegenstand. Eine solche Handlung kann zu einem Brand, übermäßiger Hitzeentwicklung oder einer Explosion führen.
9. Benutzen Sie keine beschädigten Akkus.
10. Die enthaltenen Lithium-Ionen-Akkus unterliegen den Anforderungen der Gefahrgut-Gesetzgebung. Für kommerzielle Transporte, z. B. durch Dritte oder Spediteure, müssen besondere Anforderungen zu Verpackung und Etikettierung beachtet werden. Zur Vorbereitung des zu transportierenden Artikels ist eine Beratung durch einen Experten für Gefahrgut erforderlich. Bitte beachten Sie möglicherweise ausführlichere nationale Vorschriften. Überkleben oder verdecken Sie offene Kontakte, und verpacken Sie den Akku so, dass er sich in der Verpackung nicht umher bewegen kann.
11. Entfernen Sie den Akku zum Entsorgen vom Werkzeug, und entsorgen Sie ihn an einem sicheren Ort. Befolgen Sie die örtlichen Vorschriften bezüglich der Entsorgung von Akkus.
12. Verwenden Sie die Akkus nur mit den von Makita angegebenen Produkten. Das Einsetzen der Akkus in nicht konforme Produkte kann zu einem Brand, übermäßiger Hitzebildung, einer Explosion oder Auslaufen von Elektrolyt führen.
13. Soll das Werkzeug längere Zeit nicht benutzt werden, muss der Akku vom Werkzeug entfernt werden.
14. Bei und nach dem Gebrauch kann der Akku heiß werden, was Verbrennungen oder Niedertemperaturverbrennungen verursachen kann. Beachten Sie die Handhabung von heißen Akkus.
15. Berühren Sie nicht den Anschlusskontakt des Werkzeugs unmittelbar nach dem Gebrauch, da er heiß genug werden kann, um Verbrennungen zu verursachen.
16. Achten Sie darauf, dass sich keine Späne, Staub oder Schmutz in den Anschlusskontakten, Löchern und Nuten des Akkus absetzen. Dies kann zu einer Leistungseinbuße oder Betriebsstörung des Werkzeugs oder des Akkus führen.
17. Wenn das Werkzeug den Einsatz in der Nähe einer Hochspannungs-Stromleitung nicht unterstützt, benutzen Sie den Akku nicht in der Nähe einer Hochspannungs-Stromleitung. Dies kann zu einer Funktionsstörung oder Betriebsstörung des Werkzeugs oder des Akkus führen.
18. Halten Sie die Batterie von Kindern fern.

## DIESE ANWEISUNGEN AUFBEWAHREN.

**▲ VORSICHT:** Verwenden Sie nur Original-Makita-Akkus. Die Verwendung von Nicht-Original-Makita-Akkus oder von Akkus, die abgeändert worden sind, kann zum Bersten des Akkus und daraus resultierenden Bränden, Personenschäden und Beschädigung führen. Außerdem wird dadurch die Makita-Garantie für das Makita-Werkzeug und -Ladegerät ungültig.

## Hinweise zur Aufrechterhaltung der maximalen Akku-Nutzungsdauer

1. Laden Sie den Akku, bevor er vollkommen erschöpft ist. Schalten Sie das Werkzeug stets aus, und laden Sie den Akku, wenn Sie ein Nachlassen der Werkzeuleistung feststellen.
2. Unterlassen Sie erneutes Laden eines voll aufgeladenen Akkus. Überladen führt zu einer Verkürzung der Nutzungsdauer des Akkus.
3. Laden Sie den Akku bei Raumtemperatur zwischen 10 – 40 °C. Lassen Sie einen heißen Akku abkühlen, bevor Sie ihn laden.
4. Wenn Sie den Akku nicht benutzen, nehmen Sie ihn vom Werkzeug oder Ladegerät ab.
5. Der Akku muss geladen werden, wenn er lange Zeit (länger als sechs Monate) nicht benutzt wird.

## BEZEICHNUNG DER TEILE

► Abb.1

1	Trennschleifscheibe / Diamantscheibe	2	Schutzhaube	3	Bügelgriff	4	Abdeckung (für Akkufach)
5	Einschaltsperrknopf	6	Raste	7	Lampe	8	Prüftaste
9	Akku-Anzeige	10	Überlastanzeige	11	Lampentaste	12	Auslöseschalter
13	Handgriff	14	Wassereinfluss	15	Hahn	16	Abdeckung (für Treibriemen)
17	Spindelarreterknopf	18	Kupplungsmuffe	19	Steckschlüssel	20	Inbusschlüssel

# FUNKTIONSBESCHREIBUNG

**⚠ VORSICHT:** Vergewissern Sie sich vor der Durchführung von Einstellungen oder Funktionsprüfungen des Werkzeugs stets, dass das Werkzeug ausgeschaltet und der Akku abgenommen ist.

## Anbringen und Abnehmen des Akkus

**⚠ VORSICHT:** Schalten Sie das Werkzeug stets aus, bevor Sie den Akku anbringen oder abnehmen.

**⚠ VORSICHT:** Halten Sie das Werkzeug und den Akku beim Anbringen oder Abnehmen des Akkus sicher fest. Wenn Sie das Werkzeug und den Akku nicht sicher festhalten, können sie Ihnen aus der Hand rutschen, was zu einer Beschädigung des Werkzeugs und des Akkus und zu Körperverletzungen führen kann.

Um den Akku einzusetzen, öffnen Sie die Abdeckung, während Sie die Raste lösen. Richten Sie die Führungsfeder des Akkus auf die Führungsnut im Gehäuse aus, und schieben Sie den Akku hinein. Schieben Sie ihn vollständig ein, bis er mit einem hörbaren Klicken einrastet. Falls die rote Anzeige an der Oberseite des Knopfes sichtbar ist, ist der Akku nicht vollständig verriegelt.

Nachdem Sie die Akkus eingesetzt oder entnommen haben, vergewissern Sie sich, dass die Abdeckung geschlossen und durch die Raste verriegelt ist.

► **Abb.2:** 1. Abdeckung 2. Raste

Um die Akkus abzunehmen, heben Sie den jeweiligen Akku an, während Sie den Knopf an der Vorderseite des Akkus drücken.

► **Abb.3:** 1. Rote Anzeige 2. Knopf 3. Akku

**⚠ VORSICHT:** Schieben Sie den Akku stets bis zum Anschlag ein, bis die rote Anzeige nicht mehr sichtbar ist. Anderenfalls kann er aus dem Werkzeug herausfallen und Sie oder umstehende Personen verletzen.

**⚠ VORSICHT:** Unterlassen Sie Gewaltanwendung beim Anbringen des Akkus. Falls der Akku nicht reibungslos hineingleitet, ist er nicht richtig ausgerichtet.


















**HINWEIS:** Das Werkzeug funktioniert nicht mit nur einem Akku.

## Anzeigen der Akku-Restkapazität

**Nur für Akkus mit Anzeige**

► **Abb.4:** 1. Anzeigelampen 2. Prüftaste

Drücken Sie die Prüftaste am Akku, um die Akku-Restkapazität anzuzeigen. Die Anzeigelampen leuchten wenige Sekunden lang auf.

Anzeigelampen			Restkapazität
 Erleuchtet	 Aus	 Blinkend	
			75% bis 100%
			50% bis 75%
			25% bis 50%
			0% bis 25%
			Den Akku aufladen.
			Möglicherweise liegt eine Funktionsstörung im Akku vor.
			








**HINWEIS:** Abhängig von den Benutzungsbedingungen und der Umgebungstemperatur kann die Anzeige geringfügig von der tatsächlichen Kapazität abweichen.

**HINWEIS:** Die erste (äußerste linke) Anzeigelampe blinkt, wenn das Akku-Schutzsystem aktiv ist.

## Anzeigen der Akku-Restkapazität

► **Abb.5:** 1. Akku-Anzeige 2. Prüftaste

Drücken Sie die Prüftaste, um die Akku-Restkapazität anzuzeigen. Jedem Akku sind eigene Akku-Anzeigen zugeordnet.

Status der Akku-Anzeige			Akku-Restkapazität
 Ein	 Aus	 Blinkend	
			50% bis 100%
			20% bis 50%
			0% bis 20%
			Akku aufladen

## Werkzeug/Akku-Schutzsystem

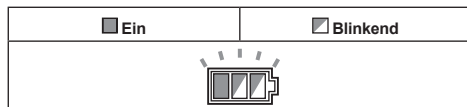
Das Werkzeug ist mit einem Werkzeug/Akku-Schutzsystem ausgestattet. Dieses System schaltet die Stromversorgung des Motors automatisch ab, um die Lebensdauer von Werkzeug und Akku zu verlängern. Das Werkzeug bleibt während des Betriebs automatisch stehen, wenn das Werkzeug oder der Akku einer der folgenden Bedingungen unterliegt. Bei manchen Bedingungen leuchten die Anzeigen auf.

### Überlastschutz

Wird das Werkzeug/der Akku auf eine Weise benutzt, die eine ungewöhnlich hohe Stromaufnahme bewirkt, bleibt das Werkzeug automatisch stehen. Schalten Sie in dieser Situation das Werkzeug aus, und brechen Sie die Arbeit ab, die eine Überlastung des Werkzeugs verursacht hat. Schalten Sie dann das Werkzeug wieder ein, um es neu zu starten.

### Überhitzungsschutz

Wenn das Werkzeug überhitzt wird, bleibt es automatisch stehen, und die Akku-Anzeige blinkt etwa 60 Sekunden lang. Lassen Sie das Werkzeug in dieser Situation abkühlen, bevor Sie es wieder einschalten.



### Überentladungsschutz

Wenn die Akkukapazität niedrig wird, schaltet sich das Werkzeug automatisch aus. Falls das Produkt trotz Betätigung der Schalter nicht funktioniert, entfernen Sie die Akkus vom Werkzeug, und laden Sie sie auf.

### Überlastwarnung

Wird das Werkzeug mit übermäßiger Last betrieben, blinkt die Überlastanzeige in Rot. Verringern Sie in dieser Situation die Belastung des Werkzeugs. Dann hört die Anzeige auf zu blinken.

► **Abb.6:** 1. Überlastanzeige

### Schalterfunktion

**⚠️ WARNUNG:** Vergewissern Sie sich vor dem Einsetzen des Akkus in das Werkzeug stets, dass der Ein-Aus-Schalter ordnungsgemäß funktioniert und beim Loslassen in die AUS-Stellung zurückkehrt.

**⚠️ WARNUNG:** Versuchen Sie NIEMALS, den Einschaltsperrknopf mit Klebeband oder anderen Mitteln unwirksam zu machen. Ein Schalter mit unwirksamem Einschaltsperrknopf kann zu ungewolltem Betrieb und daraus resultierenden schweren Personenschäden führen.

**⚠️ WARNUNG:** Betreiben Sie das Werkzeug NIEMALS, wenn es durch einfache Betätigung des Ein-Aus-Schalters eingeschaltet werden kann, ohne den Einschaltsperrknopf zu drücken. Ein reparaturbedürftiger Schalter kann zu ungewolltem Betrieb und daraus resultierenden schweren Personenschäden führen. Lassen Sie das Werkzeug von einer Makita-Kundendienststelle ordnungsgemäß reparieren, BEVOR Sie es weiter benutzen.

Um versehentliche Betätigung des Ein-Aus-Schalters zu verhindern, ist das Werkzeug mit einem Einschaltsperrknopf ausgestattet. Zum Starten des Werkzeugs drücken Sie erst den Einschaltsperrknopf, und betätigen Sie dann den Auslöseschalter. Zum Stoppen lassen Sie den Auslöseschalter los.

► **Abb.7:** 1. Auslöseschalter 2. Einschaltsperrknopf

**ANMERKUNG:** Betätigen Sie den Auslöseschalter nicht gewaltsam, ohne den Einschaltsperrknopf hineinzudrücken. Dies kann zu Beschädigung des Schalters führen.

### Einschalten der Lampe

**⚠️ VORSICHT:** Blicken Sie nicht direkt in die Lampe oder die Lichtquelle.

Zum Einschalten der Lampe drücken Sie die Lampentaste. Zum Ausschalten der Lampe drücken Sie die Lampentaste erneut.

► **Abb.8:** 1. Lampentaste 2. Lampe

**HINWEIS:** Die Lampe wird automatisch ausgeschaltet, wenn eine Minute lang keine Betätigung des Werkzeugs erfolgt.

## MONTAGE

**⚠️ VORSICHT:** Vergewissern Sie sich vor der Ausführung von Arbeiten am Werkzeug stets, dass das Werkzeug ausgeschaltet und der Akku abgenommen ist.

### Montieren und Demontieren der Trennschleifscheibe / Diamantscheibe

**⚠️ VORSICHT:** Verwenden Sie nur den Makita-Schraubenschlüssel zum Montieren und Demontieren von Trennscheiben.

**⚠️ VORSICHT:** Ziehen Sie die Schraube beim Montieren der Trennscheibe sicher fest.

**⚠️ VORSICHT:** Drücken Sie nicht den Spindelarretierknopf, während die Trennscheibe sich dreht.

Zum Demontieren der Trennscheibe drücken Sie den Spindelarretierknopf, und drehen Sie die Trennscheibe, bis sie sich nicht mehr drehen kann. Drehen Sie die Sechskantschraube bei vollständig verriegelter Spindel mit dem Steckschlüssel entgegen dem Uhrzeigersinn. Entfernen Sie dann die Sechskantschraube, den Außenflansch und die Trennscheibe.

► **Abb.9:** 1. Spindelarretierknopf 2. Steckschlüssel 3. Anziehen 4. Lösen

► **Abb.10:** 1. Innensechskantschraube  
2. Außenflansch (schwarz)  
3. Trennschleifscheibe / Diamantscheibe  
4. Innenflansch (silbern) 5. Pfeil (Drehrichtung der Trennscheibe)

Zum Montieren der Trennscheibe wenden Sie das Demontageverfahren umgekehrt an.  
DIE SECHSKANTSCHRAUBE SICHER FESTZIEHEN.

**⚠ VORSICHT:** Montieren Sie die Trennscheibe stets so, dass der Pfeil auf der Trennscheibe in die gleiche Richtung zeigt wie der Pfeil auf der Schutzhaube. Anderenfalls dreht sich die Scheibe rückwärts, wodurch Personenschäden verursacht werden können.

**⚠ VORSICHT:** Verwenden Sie nur Trennscheiben, die mit einer Drehzahl markiert sind, die der am Werkzeug angegebenen Drehzahl entspricht oder diese übertrifft.

**HINWEIS:** Falls der Innenflansch versehentlich entfernt wird, montieren Sie den Innenflansch so, dass sein größerer Vorsprung auf das Werkzeug gerichtet ist, wie in der Abbildung gezeigt.

- **Abb.11:** 1. Sechskantschraube 2. Außenflansch (schwarz) 3. Trennschleifscheibe / Diamantscheibe 4. Innenflansch (silbern) 5. Vorsprung (größer)

## Anschließen an eine Wasserversorgung

1. Halten Sie einen Wasserschlauch bereit.
2. Entfernen Sie die Mutter an der Kupplungsmuffe, und führen Sie den Wasserschlauch durch die Mutter. Führen Sie das Schlauchende in die Kupplungsmuffe ein, und ziehen Sie dann die Mutter fest.

► **Abb.12:** 1. Wasserschlauch 2. Mutter der Kupplungsmuffe 3. Kupplungsmuffe

3. Schließen Sie den Wasserschlauch an die Wasserversorgung an.

Wenn Sie den Schlauch an einen Wasserhahn anschließen, verwenden Sie eine geeignete Armatur, wie z. B. eine Schlauchschelle oder eine Wasserhahnkupplung.

- **Abb.13:** 1. Schlauchschelle  
2. Wasserhahnkupplung  
3. Wasserschlauch

**HINWEIS:** Die Art der Armatur hängt von der Form des Wasserhahns ab, an den Sie den Anschluss vornehmen. Bereiten Sie eine geeignete handelsübliche Armatur vor.

**HINWEIS:** Wenn Sie eine Wasserhahnkupplung verwenden, bereiten Sie eine weitere Kupplungsmuffe vor, und befestigen Sie diese am anderen Ende des Schlauchs.

**HINWEIS:** Wenn Sie eine Wasserpumpe verwenden, folgen Sie der Anleitung Ihrer Wasserpumpe zum Anschließen des Wasserschlauchs.

4. Drücken Sie die Kupplungsmuffe in den Wassereinfluss hinein, bis sie mit einem Klicken einrastet.
- **Abb.14:** 1. Kupplungsmuffe 2. Wassereinfluss 3. Hahn

**ANMERKUNG:** Halten Sie den Hahn geschlossen, bis Sie den Schneidbetrieb mit Wasserversorgung starten. Angaben zur Wasserzufuhr entnehmen Sie bitte dem Abschnitt über den Betrieb.

## BETRIEB

**⚠ VORSICHT:** Verriegeln Sie unbedingt die Abdeckung des Akkufachs vor dem Betrieb.

**⚠ VORSICHT:** Halten Sie das Werkstück während der Arbeit unbedingt fest auf einer stabilen Werkbank oder einem Tisch nieder.

**⚠ VORSICHT:** Unterlassen Sie Verdrehen oder Forcieren des Werkzeugs im Schnitt, weil sonst der Motor überlastet werden oder das Werkstück brechen kann.

## Schneiden

**⚠ VORSICHT:** Halten Sie das Werkzeug während des Betriebs nicht höher als Ihre Schulterhöhe.

- **Abb.15**

Halten Sie das Werkzeug mit festem Griff. Greifen Sie den Handgriff mit Ihrer rechten Hand, und den Bügelgriff mit Ihrer linken Hand. Um einen elektrischen Schlag durch versehentliches Durchtrennen eines Stromkabels zu verhindern, halten Sie den Bügelgriff stets an dem gekennzeichneten Teil, wie in der Abbildung gezeigt.

- **Abb.16:** 1. Zu haltender Teil

Schieben Sie das Werkzeug flach und gleichmäßig über die Werkstückoberfläche, bis der Schnitt vollendet ist. Halten Sie eine gerade Schnittlinie und eine gleichmäßige Vorschubgeschwindigkeit ein.

- **Abb.17**

**HINWEIS:** Bei kaltem Akku entfaltet das Werkzeug eventuell nicht seine volle Kapazität. Benutzen Sie das Werkzeug während dieser Phase eine Zeitlang nur für leichte Schnitte, bis sich der Akku auf Raumtemperatur erwärmt hat. Dann kann das Werkzeug seine volle Kapazität entfalten.

**HINWEIS:** Wenn die Schneidleistung der Diamantscheibe nachzulassen beginnt, verwenden Sie eine alte, ausranigierte, grobkörnige Schleifscheibe oder einen Betonklotz, um die Schneidkante der Scheibe abzurichten. Drücken Sie zum Abrichten leicht auf die Außenkante der Diamantscheibe.

## Wenn Wasser während des Schneidvorgangs zugeführt wird

**⚠ VORSICHT:** Wenn Sie eine Diamantscheibe für Nass-Schnitt verwenden, führen Sie während des Schneidvorgangs stets Wasser zu.

Schließen Sie das Werkzeug an die Wasserversorgung an, und drehen Sie den Hahn in Pfeilrichtung, wie dargestellt. Stellen Sie die Position des Hahns ein, um einen sanften Wasserfluss zu erhalten.

- **Abb.18:** 1. Hahn

**⚠ VORSICHT:** Halten Sie den Werkzeugkopf während der Wasserzufuhr stets tiefer als das Werkzeuggehäuse, um Eindringen von Wasser in den Werkzeugmechanismus zu verhindern. Anderenfalls kann es zu einem elektrischen Schlag kommen.

- **Abb.19**



# WARTUNG

**⚠ VORSICHT:** Vergewissern Sie sich vor der Durchführung von Inspektions- oder Wartungsarbeiten stets, dass das Werkzeug ausgeschaltet und der Akku abgenommen ist.

**ANMERKUNG:** Verwenden Sie auf keinen Fall Benzin, Waschbenzin, Verdünnern, Alkohol oder dergleichen. Solche Mittel können Verfärbung, Verformung oder Rissbildung verursachen.

Um die SICHERHEIT und ZUVERLÄSSIGKEIT dieses Produkts zu gewährleisten, sollten Reparaturen und andere Wartungs- oder Einstellarbeiten nur von Makita-Vertragswerkstätten oder Makita-Kundendienstzentren unter ausschließlicher Verwendung von Makita-Originalersatzteilen ausgeführt werden.

## Reinigen des Werkzeugs

Nehmen Sie nach jedem Gebrauch den Akku und die Trennscheibe ab, und entfernen Sie dann Staub, Schmutz oder Metallspäne, die sich in der Schutzhaube angesammelt haben. Reinigen Sie das Werkzeuggehäuse, indem Sie es mit einem trockenen oder einem in Seifenwasser getauchten und ausgewringenen Tuch abwischen. Wischen Sie Schmutz auf der Lampenlinse mit einem trockenen Tuch ab. Achten Sie sorgfältig darauf, dass Sie die Lampenlinse nicht verkratzen, weil sich sonst die Lichtstärke verringert.

► **Abb.20:** 1. Schutzhaube 2. Lampenlinse

## Reinigen der Ventilationsöffnungen

Reinigen Sie die Ventilationsöffnungen des Werkzeugs regelmäßig oder im Anfangsstadium einer Verstopfung.

► **Abb.21:** 1. Einlassöffnung 2. Auslassöffnung

## Austauschen des Treibriemens

1. Entfernen Sie Akku und Trennscheibe.
  2. Lösen Sie die Innensechskantschrauben mit dem Inbusschlüssel, und nehmen Sie dann die Abdeckung ab.
- **Abb.22:** 1. Innensechskantschraube 2. Abdeckung
3. Während Sie den Treibriemen kräftig verdrehen, so dass seine Innenseite nach oben gerichtet ist, wie in der Abbildung gezeigt, drehen Sie die Schraube an der Riemenscheibe (groß) mit Hilfe des Steckschlüssels im Uhrzeigersinn.

Der Treibriemen weicht von der Spur ab und löst sich, wenn Sie die Schraube drehen.

- **Abb.23:** 1. Treibriemen 2. Riemenscheibe (groß) 3. Steckschlüssel

**ANMERKUNG:** Drehen Sie den Steckschlüssel niemals entgegen dem Uhrzeigersinn. Dadurch wird die Schraube an der Riemenscheibe (groß) gelöst, was zu einer Leistungseinbuße führt.

4. Legen Sie den neuen Treibriemen um die Riemenscheibe (klein). Legen Sie das andere Ende des Treibriemens auf die Riemenscheibe (groß), so dass es teilweise in die vorderste Rille der Riemenscheibe eingehängt ist. (In diesem Stadium müssen Sie den Treibriemen nicht in alle Rillen der Riemenscheibe einhängen). Drehen Sie danach die Schraube an der Riemenscheibe (groß) mit Hilfe des Steckschlüssels im Uhrzeigersinn.

Der Treibriemen gelangt in die Spur, wenn Sie die Schraube drehen.

- **Abb.24:** 1. Riemenscheibe (klein) 2. Riemenscheibe (groß) 3. Steckschlüssel

Vergewissern Sie sich, dass alle Führungen am Innenkreis des Treibriemens in den Rillen der Riemenscheiben sitzen. Alle Rillen der Riemenscheibe müssen die Führungen am Treibriemen abstützen. Falls eine Rille vorhanden ist, die die Führung nicht abstützt, ist der Treibriemen nicht korrekt montiert.

- **Abb.25:** 1. Rille an der Riemenscheibe 2. Führung am Treibriemen

5. Bringen Sie die Abdeckung am Werkzeug an, und ziehen Sie die Innensechskantschrauben mit dem Inbusschlüssel fest.

- **Abb.26:** 1. Rohrleitung 2. Abdeckung 3. Innensechskantschraube

**ANMERKUNG:** Vergewissern Sie sich, dass die Rohrleitung für die Wasserzufuhr so positioniert ist, wie in der Abbildung gezeigt, bevor Sie die Abdeckung anbringen.

# FEHLERSUCHE

Bevor Sie den Reparatordienst anrufen, führen Sie zunächst Ihre eigene Inspektion durch. Falls Sie ein Problem finden, das nicht in der Anleitung erläutert wird, versuchen Sie nicht, das Werkzeug zu zerlegen. Wenden Sie sich stattdessen an autorisierte Makita-Kundendienstzentren, und achten Sie darauf, dass stets Makita-Ersatzteile für Reparaturen verwendet werden.

Zustand der Unregelmäßigkeit	Wahrscheinliche Ursache (Funktionsstörung)	Abhilfemaßnahme
Der Motor läuft nicht.	Es sind keine Akkus eingesetzt.	Setzen Sie zwei Akkus ein. Dieses Werkzeug funktioniert nicht mit nur einem Akku.
	Akkustörung (Unterspannung)	Laden Sie den Akku auf. Falls Laden unwirksam ist, tauschen Sie den Akku aus.
	Das Antriebssystem funktioniert nicht korrekt.	Wenden Sie sich bezüglich einer Reparatur an Ihr autorisiertes Kundendienstzentrum.
Der Motor bleibt nach kurzer Zeit stehen.	Der Ladestand des Akkus ist niedrig.	Laden Sie den Akku auf. Falls Laden unwirksam ist, tauschen Sie den Akku aus.
	Überhitzung.	Brechen Sie die Benutzung des Werkzeugs ab, um es abkühlen zu lassen.
Die Trennscheibendrehzahl nimmt nicht richtig zu, selbst nachdem das Werkzeug 20 Sekunden lang unter Nulllast betrieben worden ist.	Der Akku ist falsch eingesetzt.	Setzen Sie den Akku gemäß der Beschreibung in dieser Anleitung ein.
	Die Akkuleistung lässt nach.	Laden Sie den Akku auf. Falls Laden unwirksam ist, tauschen Sie den Akku aus.
	Der Treibriemen rutscht.	Ersetzen Sie den Treibriemen durch einen neuen.
	Das Antriebssystem funktioniert nicht korrekt.	Wenden Sie sich bezüglich einer Reparatur an Ihr autorisiertes Kundendienstzentrum.
Die Trennscheibe dreht sich nicht: ⇒ Die Maschine unverzüglich stoppen!	Der Treibriemen rutscht.	Ersetzen Sie den Treibriemen durch einen neuen.
	Ein Fremdkörper ist zwischen Schutzhaube und Trennscheibe eingeklemmt.	Entnehmen Sie den Akku, und entfernen Sie dann den Fremdkörper.
	Das Antriebssystem funktioniert nicht korrekt.	Wenden Sie sich bezüglich einer Reparatur an Ihr autorisiertes Kundendienstzentrum.
Ungewöhnliche Vibration: ⇒ Die Maschine unverzüglich stoppen!	Falsche Montage der Trennscheibe.	Montieren Sie die Trennscheibe gemäß den Anweisungen in dieser Anleitung. Ziehen Sie die Schraube fest, um die Trennscheibe einwandfrei zu sichern.
	Das Antriebssystem funktioniert nicht korrekt.	Wenden Sie sich bezüglich einer Reparatur an Ihr autorisiertes Kundendienstzentrum.
Schneidwerkzeug und Motor bleiben nicht stehen: ⇒ Entnehmen Sie den Akku unverzüglich!	Funktionsstörung der Elektrik oder Elektronik.	Entnehmen Sie den Akku, und wenden Sie sich bezüglich einer Reparatur an Ihr autorisiertes Service-Center.
Schlechte Schneidleistung	Es ist an der Zeit, die Trennscheibe auszutauschen.	Ersetzen Sie die Trennscheibe durch eine neue.
Wasser läuft vom Einlass aus.	Wasser läuft vom O-Ring-Teil aus.	Wenden Sie sich bezüglich einer Reparatur an Ihr autorisiertes Service-Center.

## SONDERZUBEHÖR

**⚠ VORSICHT:** Die folgenden Zubehörteile oder Vorrichtungen werden für den Einsatz mit dem in dieser Anleitung beschriebenen Makita-Werkzeug empfohlen. Die Verwendung anderer Zubehörteile oder Vorrichtungen kann eine Verletzungsgefahr darstellen. Verwenden Sie Zubehörteile oder Vorrichtungen nur für ihren vorgesehenen Zweck.

- Treibriemen
- Kupplungsmuffe
- Flanschsatz 60 (länderspezifisch)
- Steckschlüssel
- Inbusschlüssel
- Original-Makita-Akku und -Ladegerät

**HINWEIS:** Manche Teile in der Liste können als Standardzubehör im Werkzeugsatz enthalten sein. Sie können von Land zu Land unterschiedlich sein.

Wenn Sie weitere Einzelheiten bezüglich dieser Zubehörteile benötigen, wenden Sie sich bitte an Ihre Makita-Kundendienststelle.

- Trennschleifscheibe
- Diamantscheibe

## DATI TECNICI

<b>Modello:</b>	<b>DCE090</b>
Diametro disco	230 mm
Spessore max disco	3,0 mm
Profondità massima di taglio	88 mm
Velocità nominale	6.600 min <sup>-1</sup>
Tensione nominale	36 V C.C.
Pressione massima consentita di alimentazione dell'acqua	5,0 bar
Lunghezza complessiva	554 mm
Peso netto	5,6 - 6,3 kg

- A causa del nostro programma continuativo di ricerca e sviluppo, i dati tecnici sono soggetti a modifiche senza preavviso.
- I dati tecnici possono variare da nazione a nazione.
- Il peso può variare a seconda dell'accessorio o degli accessori, inclusa la cartuccia della batteria. La combinazione più leggera e quella più pesante, secondo la procedura EPTA 01/2014, sono indicate nella tabella.

### Cartuccia della batteria e caricabatterie applicabili

Cartuccia della batteria	BL1815N / BL1820 / BL1820B / BL1830 / BL1830B / BL1840 / BL1840B / BL1850 / BL1850B / BL1860B
Caricabatterie	DC18RC / DC18RD / DC18RE / DC18SD / DC18SE / DC18SF / DC18SH

- Alcune cartucce delle batterie e alcuni caricabatterie elencati sopra potrebbero non essere disponibili a seconda della propria area geografica di residenza.

**⚠AVVERTIMENTO:** Utilizzare solo le cartucce delle batterie e i caricabatterie elencati sopra. L'utilizzo di altre cartucce delle batterie e di altri caricabatterie potrebbe causare lesioni personali e/o un incendio.

### Utilizzo previsto

Questo utensile è destinato al taglio di materiali metallici mediante l'uso di una mola troncatrice abrasiva, nonché di materiali per muratura con un disco diamantato.

### Rumore

Livello tipico di rumore pesato A determinato in base allo standard EN60745-2-22:

Livello di pressione sonora ( $L_{pA}$ ) : 103 dB (A)

Livello di potenza sonora ( $L_{WA}$ ) : 114 dB (A)

Incertezza (K): 3 dB (A)

**NOTA:** Il valore o i valori dichiarati delle emissioni di rumori sono stati misurati in conformità a un metodo standard di verifica, e possono essere utilizzati per confrontare un utensile con un altro.

**NOTA:** Il valore o i valori dichiarati delle emissioni di rumori possono venire utilizzati anche per una valutazione preliminare dell'esposizione.

**⚠AVVERTIMENTO:** Indossare protezioni per le orecchie.

**⚠AVVERTIMENTO:** L'emissione di rumori durante l'utilizzo effettivo dell'utensile elettrico può variare rispetto al valore o ai valori dichiarati, a seconda dei modi in cui viene utilizzato l'utensile e specialmente a seconda di che tipo di pezzo venga lavorato.

**⚠AVVERTIMENTO:** Accertarsi di identificare misure di sicurezza per la protezione dell'operatore che siano basate su una stima dell'esposizione nelle condizioni effettive di utilizzo (tenendo conto di tutte le parti del ciclo operativo, ad esempio del numero di spegnimenti dell'utensile e di quando giri a vuoto, oltre al tempo di attivazione).

## Vibrazioni

Modalità di lavoro: taglio di calcestruzzo

Mano sinistra		Mano destra		Standard applicabile
$a_{h,w}$ (m/s <sup>2</sup> )	Incertezza K (m/s <sup>2</sup> )	$a_{h,w}$ (m/s <sup>2</sup> )	Incertezza K (m/s <sup>2</sup> )	
5,9	1,5	4,0	1,5	EN60745-2-22

**NOTA:** Il valore o i valori complessivi delle vibrazioni dichiarati sono stati misurati in conformità a un metodo standard di verifica, e possono essere utilizzati per confrontare un utensile con un altro.

**NOTA:** Il valore o i valori complessivi delle vibrazioni dichiarati possono venire utilizzati anche per una valutazione preliminare dell'esposizione.

**⚠AVVERTIMENTO:** L'emissione delle vibrazioni durante l'utilizzo effettivo dell'utensile elettrico può variare rispetto al valore o ai valori dichiarati, a seconda dei modi in cui viene utilizzato l'utensile, specialmente a seconda di che tipo di pezzo venga lavorato.

**⚠AVVERTIMENTO:** Accertarsi di identificare misure di sicurezza per la protezione dell'operatore che siano basate su una stima dell'esposizione nelle condizioni effettive di utilizzo (tenendo conto di tutte le parti del ciclo operativo, ad esempio del numero di spegnimenti dell'utensile e di quando giri a vuoto, oltre al tempo di attivazione).

## Dichiarazione di conformità CE

*Solo per i paesi europei*

La dichiarazione di conformità CE è inclusa nell'Allegato A al presente manuale di istruzioni.

## AVVERTENZE DI SICUREZZA

### Avvertenze generali relative alla sicurezza dell'utensile elettrico

**⚠AVVERTIMENTO:** Leggere tutte le avvertenze di sicurezza, le istruzioni, le illustrazioni e i dati tecnici forniti con il presente utensile elettrico. La mancata osservanza di tutte le istruzioni elencate di seguito potrebbe risultare in scosse elettriche, incendi e/o gravi lesioni personali.

### Conservare tutte le avvertenze e le istruzioni come riferimento futuro.

Il termine "utensile elettrico" nelle avvertenze si riferisce sia all'utensile elettrico (cablato) nel funzionamento alimentato da rete elettrica che all'utensile elettrico (a batteria) nel funzionamento alimentato a batteria.

### Avvertenze di sicurezza relative alla taglierina a batteria

1. **La protezione fornita con l'utensile deve essere fissata saldamente all'utensile elettrico ed essere posizionata per la massima sicurezza, in modo da esporre la minima parte del disco verso l'operatore. Posizionare se stessi e gli astanti lontano dal piano del disco in rotazione.** La protezione aiuta a proteggere l'operatore dai frammenti di dischi rotti e dal contatto accidentale con il disco.
2. **Utilizzare solo mole troncatrici rinforzate a legante o diamantate per l'utensile elettrico.** La possibilità di montare un accessorio sull'utensile elettrico non ne garantisce il funzionamento in sicurezza.
3. **La velocità nominale dell'accessorio deve essere almeno pari alla velocità massima indicata sull'utensile elettrico.** Gli accessori che girano più velocemente della loro velocità nominale possono spaccarsi, e i frammenti possono venire scagliati via.
4. **I dischi devono essere utilizzati esclusivamente per le applicazioni consigliate. Ad esempio: non smerigliare con il fianco della mola a disco.** Le mole a disco abrasive sono progettate per la smerigliatura periferica, e le forze laterali applicate a questi dischi potrebbero causarne la frantumazione.
5. **Utilizzare sempre flange dei dischi non danneggiate con il diametro corretto per il disco selezionato.** Flange dei dischi corrette supportano i dischi, riducendo pertanto la possibilità di rottura dei dischi.
6. **Non utilizzare dischi rinforzati usurati provenienti da utensili elettrici più grandi.** I dischi progettati per gli utensili elettrici più grandi non sono adatti alla velocità più elevata di un utensile più piccolo, e potrebbero scoppiare.
7. **Il diametro esterno e lo spessore dell'accessorio utilizzato devono rispettare la capacità nominale dell'utensile elettrico utilizzato.** Non è possibile proteggere o controllare in modo appropriato accessori di dimensioni errate.
8. **Le dimensioni dei fori per gli alberi di dischi e flange devono essere appropriate a quella del mandrino dell'utensile elettrico.** I dischi e le flange con fori per gli alberi che non coincidano con le misure degli attacchi di montaggio dell'utensile elettrico funzionano in modo sbilanciato, vibrano eccessivamente e potrebbero causare la perdita di controllo.

9. **Non utilizzare dischi danneggiati. Prima di ciascun utilizzo, verificare l'eventuale presenza di scheggiature o spaccature sui dischi. Qualora l'utensile elettrico o il disco venga fatto cadere, verificare l'eventuale presenza di danni o installare un disco non danneggiato. Dopo aver ispezionato e installato il disco, posizionare se stessi e gli astanti lontano dal piano di rotazione del disco, quindi far funzionare l'utensile elettrico alla massima velocità a vuoto per un minuto.** I dischi danneggiati in genere si rompono, durante questo periodo di prova.
10. **Indossare un'attrezzatura di protezione personale. A seconda dell'applicazione, utilizzare una visiera, occhiali oppure occhiali di sicurezza. A seconda delle esigenze, indossare una mascherina antipolvere, protezioni per l'udito, guanti e un grembiule da officina in grado di arrestare piccoli frammenti abrasivi o dei pezzi in lavorazione.** La protezione per gli occhi deve essere in grado di arrestare detriti volanti causati da svariate operazioni. La mascherina antipolvere o il respiratore devono essere in grado di filtrare le particelle generate dall'operazione in corso. L'esposizione prolungata al rumore ad alta intensità potrebbe causare la perdita dell'udito.
11. **Tenere gli astanti a distanza di sicurezza dall'area di lavoro. Chiunque entri nell'area di lavoro deve indossare l'attrezzatura di protezione personale.** I frammenti del pezzo in lavorazione o di un disco rotto potrebbero venire scagliati via e causare lesioni personali a una distanza superiore alle immediate vicinanze dell'operazione in corso.
12. **Mantenere l'utensile elettrico solo per le superfici di impugnatura isolate quando si esegue un'operazione in cui l'accessorio da taglio potrebbe entrare in contatto con fili elettrici nascosti.** Un accessorio da taglio che entri in contatto con un filo elettrico sotto tensione potrebbe mettere sotto tensione le parti metalliche esposte dell'utensile elettrico e dare una scossa elettrica all'operatore.
13. **Non appoggiare mai l'utensile elettrico finché l'accessorio non si è arrestato completamente.** Il disco in rotazione potrebbe far presa sulla superficie di appoggio e tirare l'utensile elettrico facendone perdere il controllo all'operatore.
14. **Non far funzionare l'utensile elettrico mentre lo si trasporta sul proprio fianco.** Un contatto accidentale con l'accessorio in rotazione potrebbe far impigliare gli indumenti, tirando l'accessorio contro il corpo dell'operatore.
15. **Pulire regolarmente le aperture di ventilazione dell'utensile elettrico.** La ventola del motore attira le polveri all'interno dell'alloggiamento, e l'accumulazione eccessiva di polvere metallica potrebbe causare pericoli di natura elettrica.
16. **Non far funzionare l'utensile elettrico in prossimità di materiali infiammabili.** Le scintille potrebbero dare fuoco a tali materiali.

### Contraccolpo e relative avvertenze

Il contraccolpo è una reazione improvvisa a un disco in rotazione che resti incastrato o impigliato. Un disco in rotazione che resti incastrato o impigliato subisce un rapido stallo che, a sua volta, spinge l'utensile elettrico fuori controllo nella direzione opposta alla rotazione del disco nel punto di inceppamento.

Ad esempio, qualora un disco abrasivo resti incastrato o impigliato nel pezzo in lavorazione, il filo del disco che entra nel punto di inceppamento può scavare nella superficie del materiale, causando la fuoriuscita o il contraccolpo del disco verso l'esterno. Il disco potrebbe saltare verso l'operatore o lontano da quest'ultimo, a seconda della direzione del movimento del disco nel punto in cui si è incastrato. In queste condizioni, i dischi abrasivi potrebbero anche rompersi.

Il contraccolpo è il risultato dell'uso improprio dell'utensile elettrico e/o di procedure o condizioni operative errate, e può essere evitato adottando le precauzioni appropriate indicate di seguito.

1. **Mantenere una salda presa sull'utensile elettrico e posizionare il corpo e il braccio in modo da poter resistere alle forze dei contraccolpi. Per il massimo controllo dei contraccolpi o di reazioni di coppia durante l'avvio, utilizzare sempre la maniglia ausiliaria, se in dotazione.** L'operatore può controllare le reazioni di coppia o le forze dei contraccolpi, se adotta le precauzioni appropriate.
2. **Non posizionare mai le mani in prossimità dell'accessorio in rotazione.** L'accessorio potrebbe saltare all'indietro sulla mano per un contraccolpo.
3. **Non posizionare il corpo in linea con il disco che gira.** Un contraccolpo potrebbe lanciare l'utensile nella direzione opposta al movimento del disco sul punto in cui si è impigliato.
4. **Fare particolarmente attenzione quando si intende lavorare su angoli, bordi acuti, e così via. Evitare che l'accessorio rimbalzi o resti impigliato.** Gli angoli, i bordi acuti o i rimbalzi tendono a far impigliare l'accessorio in rotazione e a causare la perdita di controllo o il contraccolpo.
5. **Non montare catene per seghe, lame da intaglio per legno, dischi diamantati a settori con distanza periferica tra i settori superiore a 10 mm o lame dentate.** Queste lame causano frequenti contraccolpi e perdite di controllo.
6. **Non spingere forzatamente il disco o applicare una pressione eccessiva. Non tentare di realizzare tagli eccessivamente profondi.** La sollecitazione eccessiva del disco incrementa il carico e la suscettibilità alla torsione o all'inceppamento del disco nel taglio, nonché la possibilità di contraccolpi o di rottura del disco.
7. **Quando il disco si sta inceppando o quando si intende interrompere il taglio per un qualsiasi motivo, spegnere l'utensile elettrico e mantenerlo immobile fino all'arresto completo del disco. Non tentare mai di rimuovere il disco dal taglio mentre è in movimento; in caso contrario, si potrebbe verificare un contraccolpo.** Investigare e adottare misure correttive per eliminare la causa dell'inceppamento del disco.

8. **Non riavviare l'operazione di taglio all'interno del pezzo in lavorazione.** Lasciare che il disco raggiunga la piena velocità e rientrare con attenzione nel taglio. Qualora si riavvii l'utensile elettrico all'interno del pezzo in lavorazione, il disco potrebbe incepparsi, rialzarsi o dare un contraccolpo.
9. **Supportare i pannelli o qualsiasi pezzo in lavorazione di grandi dimensioni, per ridurre al minimo il rischio che il disco resti incastrato o causi contraccolpi.** I pezzi in lavorazione di grandi dimensioni tendono a curvarsi sotto il proprio peso. I supporti devono essere piazzati sotto il pezzo in lavorazione, vicini alla linea di taglio e in prossimità del bordo del pezzo in lavorazione, da entrambi i lati del disco.
10. **Fare particolarmente attenzione quando si esegue un taglio di cavità su pareti esistenti o altre aree cieche.** Il disco che sporge potrebbe tagliare tubi del gas o dell'acqua, cavi elettrici o oggetti che potrebbero causare contraccolpi.

#### Avvertenze supplementari per la sicurezza:

1. **Prima di utilizzare un disco diamantato a settori, accertarsi che il disco diamantato abbia una distanza periferica tra i settori non superiore a 10 mm, solo con angolo di spoglia negativo.**
2. **Non tentare mai di tagliare tenendo l'utensile capovolto serrato in una morsa.** Questa procedura può causare gravi incidenti, in quanto è estremamente pericolosa.
3. **Alcuni materiali contengono sostanze chimiche che potrebbero essere tossiche. Adottare precauzioni onde evitare l'inalazione e il contatto con la pelle delle polveri.** Attenersi ai dati relativi alla sicurezza del fornitore del materiale.
4. **Riporre i dischi attenendosi ai consigli del produttore.** La conservazione errata potrebbe danneggiare i dischi.
5. **Utilizzare sempre il disco adatto al lavoro da effettuare e al materiale da tagliare.**
6. **Esaminare il materiale da tagliare prima di eseguire il taglio.** Qualora il materiale contenga sostanze esplosive o infiammabili, potrebbe causare un'esplosione o un incendio.
7. **Non accendere l'utensile qualora un corpo estraneo sia incastrato tra la protezione e il disco.** In questo caso, disinstallare la cartuccia della batteria e rimuovere il corpo estraneo.
8. **Se possibile, utilizzare sempre delle morse o attrezzi simili per sostenere il pezzo in lavorazione.**
9. **Indossare sempre protezioni per l'udito durante l'uso.**
10. **Non tagliare materiali in legno con questo utensile.**

## CONSERVARE LE PRESENTI ISTRUZIONI.

**⚠AVVERTIMENTO:** NON lasciare che comodità o la familiarità d'utilizzo con il prodotto (acquisita con l'uso ripetuto) sostituisca la stretta osservanza delle norme di sicurezza per il prodotto in questione. L'USO IMPROPRIO o la mancata osservanza delle norme di sicurezza indicate nel presente manuale di istruzioni potrebbero causare gravi lesioni personali.

## Istruzioni di sicurezza importanti per la cartuccia della batteria

1. **Prima di utilizzare la cartuccia della batteria, leggere tutte le istruzioni e le avvertenze riportate (1) sul caricabatteria, (2) sulla batteria e (3) sul prodotto che utilizza la batteria.**
2. **Non smantellare né manomettere la cartuccia della batteria.** In caso contrario, si potrebbe causare un incendio, calore eccessivo o un'esplosione.
3. **Qualora il tempo di utilizzo si riduca eccessivamente, interrompere immediatamente l'utilizzo dell'utensile.** In caso contrario, si può incorrere nel rischio di surriscaldamento, possibili ustioni e persino un'esplosione.
4. **Qualora l'elettrolita entri in contatto con gli occhi, sciacquarli con acqua pulita e richiedere immediatamente assistenza medica.** Questa eventualità può risultare nella perdita della vista.
5. **Non cortocircuitare la cartuccia della batteria:**
  - (1) **Non toccare i terminali con alcun materiale conduttivo.**
  - (2) **Evitare di conservare la cartuccia della batteria in un contenitore insieme ad altri oggetti metallici quali chiodi, monete, e così via.**
  - (3) **Non esporre la cartuccia della batteria all'acqua o alla pioggia.**

Un cortocircuito della batteria può causare un grande flusso di corrente, un surriscaldamento, possibili ustioni e persino un guasto.
6. **Non conservare e utilizzare l'utensile e la cartuccia della batteria in ubicazioni in cui la temperatura possa raggiungere o superare i 50°C.**
7. **Non incenerire la cartuccia della batteria anche qualora sia gravemente danneggiata o completamente esaurita.** La cartuccia della batteria può esplodere se a contatto con il fuoco.
8. **Non inchiodare, tagliare, schiacciare, lanciare o far cadere la cartuccia della batteria, né farla urtare con forza contro un oggetto duro.** Questi comportamenti potrebbero risultare in un incendio, calore eccessivo o un'esplosione.
9. **Non utilizzare una batteria danneggiata.**
10. **Le batterie a ioni di litio contenute sono soggette ai requisiti del regolamento sul trasporto di merci pericolose (Dangerous Goods Legislation).**

Per trasporti commerciali, ad esempio da parte di terzi o spedizionieri, è necessario osservare dei requisiti speciali sull'imballaggio e sull'etichetta. Per la preparazione dell'articolo da spedire, è richiesta la consulenza di un esperto in materiali pericolosi. Attenersi anche alle normative nazionali, che potrebbero essere più dettagliate. Nastrare o coprire i contatti aperti e imballare la batteria in modo tale che non si possa muovere liberamente all'interno dell'imballaggio.
11. **Quando si intende smaltire la cartuccia della batteria, rimuoverla dall'utensile e smaltirla in un luogo sicuro.** Attenersi alle normative locali relative allo smaltimento della batteria.

12. **Utilizzare le batterie esclusivamente con i prodotti specificati da Makita.** L'installazione delle batterie in prodotti non compatibili potrebbe risultare in incendi, calore eccessivo, esplosioni o perdite di liquido elettrolitico.
13. **Se l'utensile non viene utilizzato per un periodo di tempo prolungato, la batteria deve essere rimossa dall'utensile.**
14. **Durante e dopo l'uso, la cartuccia della batteria potrebbe assorbire calore, che può causare ustioni o ustioni a bassa temperatura. Fare attenzione a come si maneggiano le cartucce delle batterie estremamente calde.**
15. **Non toccare i terminali dell'utensile subito dopo l'uso, in quanto potrebbero diventare estremamente caldi al punto da causare ustioni.**
16. **Evitare di far incastrare schegge, polveri o terreno nei terminali, nei fori e nelle scanalature della cartuccia della batteria.** In caso contrario, si potrebbero causare prestazioni scadenti o la rottura dell'utensile o della cartuccia della batteria.
17. **A meno che l'utensile supporti l'uso in prossimità di linee elettriche ad alta tensione, non utilizzare la cartuccia della batteria in prossimità di linee elettriche ad alta tensione.** In caso contrario, si potrebbe causare un malfunzionamento o la rottura dell'utensile o della cartuccia della batteria.
18. **Tenere la batteria lontana dai bambini.**

**⚠ATTENZIONE:** Utilizzare solo batterie originali Makita. L'utilizzo di batterie Makita non originali, o di batterie che siano state alterate, potrebbe risultare nello scoppio della batteria, causando incendi, lesioni personali e danni. Inoltre, ciò potrebbe invalidare la garanzia Makita per l'utensile e il caricabatterie Makita.

## Suggerimenti per preservare la durata massima della batteria

1. **Caricare la cartuccia della batteria prima che si scarichi completamente. Smettere sempre di utilizzare l'utensile e caricare la cartuccia della batteria quando si nota che la potenza dell'utensile è diminuita.**
2. **Non ricaricare mai una cartuccia della batteria completamente carica. La sovraccarica riduce la vita utile della batteria.**
3. **Caricare la cartuccia della batteria a una temperatura ambiente compresa tra 10°C e 40°C. Lasciar raffreddare una cartuccia della batteria prima di caricarla.**
4. **Quando non si utilizza la cartuccia della batteria, rimuoverla dall'utensile o dal caricabatterie.**
5. **Caricare la cartuccia della batteria se non la si è utilizzata per un periodo di tempo prolungato (più di sei mesi).**

## CONSERVARE LE PRESENTI ISTRUZIONI.

## DESCRIZIONE DELLE PARTI

► Fig.1

1	Mola troncatrice abrasiva/disco diamantato	2	Protezione disco	3	Impugnatura	4	Sportellino (per lo scomparto della batteria)
5	Pulsante di sblocco	6	Gancio	7	Lampada	8	Pulsante di controllo
9	Indicatore della batteria	10	Indicatore di sovraccarico	11	Pulsante della lampada	12	Interruttore a grilletto
13	Manico	14	Ingresso dell'acqua	15	Rubinetto	16	Copertura (per la cinghia trapezoidale)
17	Pulsante di blocco dell'albero	18	Giunto di raccordo	19	Chiave a tubo	20	Chiave esagonale

# DESCRIZIONE DELLE FUNZIONI

**⚠ATTENZIONE:** Accertarsi sempre che l'utensile sia spento e che la cartuccia della batteria sia stata rimossa prima di regolare o di controllare il funzionamento dell'utensile.

## Installazione o rimozione della cartuccia della batteria

**⚠ATTENZIONE:** Spegnerne sempre l'utensile prima di installare o rimuovere la cartuccia della batteria.

**⚠ATTENZIONE:** Mantenere saldamente lo strumento e la batteria quando si intende installare o rimuovere la cartuccia della batteria. Qualora non si mantengano saldamente lo strumento e la cartuccia della batteria, questi ultimi potrebbero scivolare dalle mani, con la possibilità di causare un danneggiamento dello strumento e della cartuccia della batteria, nonché una lesione personale.

Per installare la cartuccia della batteria, aprire lo sportellino sganciando al tempo stesso il gancio. Allineare la linguetta sulla cartuccia della batteria con la scanalatura nell'alloggiamento, quindi far scivolare la batteria in sede. Inserirli completamente fino a quando si innesta in sede con un piccolo scatto. Se è possibile vedere l'indicatore rosso sul lato superiore del pulsante, la batteria non è bloccata completamente.

Dopo aver installato o rimosso le cartucce delle batterie, accertarsi che lo sportellino sia chiuso e bloccato dal gancio.

► **Fig.2:** 1. Sportellino 2. Gancio

Per rimuovere le cartucce delle batterie, sollevare la cartuccia della batteria mentre si tiene premuto il pulsante sulla parte anteriore della cartuccia.

► **Fig.3:** 1. Indicatore rosso 2. Pulsante 3. Cartuccia della batteria

**⚠ATTENZIONE:** Installare sempre fino in fondo la cartuccia della batteria, fino a quando l'indicatore rosso non è più visibile. In caso contrario, la batteria potrebbe cadere accidentalmente dall'utensile, causando lesioni personali all'operatore o a chi gli è vicino.

**⚠ATTENZIONE:** Non installare forzatamente la cartuccia della batteria. Qualora la batteria non si inserisca scorrendo agevolmente, vuol dire che non viene inserita correttamente.

**NOTA:** L'utensile non funziona con una sola cartuccia della batteria.

## Indicazione della carica residua della batteria

**Solo per cartucce delle batterie dotate di indicatore**

► **Fig.4:** 1. Indicatori luminosi 2. Pulsante di controllo

Premere il pulsante di controllo sulla cartuccia della batteria per indicare la carica residua della batteria. Gli indicatori luminosi si illuminano per alcuni secondi.

Indicatori luminosi			Carica residua
■ Illuminato	□ Spento	◐ Lampeggiante	
■ ■ ■ ■			Dal 75% al 100%
■ ■ ■ □			Dal 50% al 75%
■ ■ □ □			Dal 25% al 50%
■ □ □ □			Dallo 0% al 25%
◐ □ □ □			Caricare la batteria.
■ ■ □ □			La batteria potrebbe essersi guastata.
□ □ ■ ■			





**NOTA:** A seconda delle condizioni d'uso e della temperatura ambiente, l'indicazione potrebbe variare leggermente rispetto alla carica effettiva.

**NOTA:** Il primo indicatore luminoso (all'estremità sinistra) lampeggia quando il sistema di protezione della batteria è in funzione.

## Indicazione della carica residua della batteria

► **Fig.5:** 1. Indicatore della batteria 2. Pulsante di controllo

Premere il pulsante di controllo per indicare le cariche residue delle batterie. Gli indicatori delle batterie corrispondono alle rispettive batterie.

Stato dell'indicatore della batteria			Carica residua della batteria
■ Acceso	□ Spento	◐ Lampeggiante	
			Dal 50% al 100%
			Dal 20% al 50%
			Dallo 0% al 20%
			Caricare la batteria



## Sistema di protezione strumento/batteria

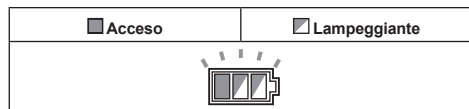
Lo strumento è dotato di un sistema di protezione strumento/batteria. Questo sistema interrompe automaticamente l'alimentazione al motore, per prolungare la vita utile dello strumento e della batteria. L'utensile si arresta automaticamente durante il funzionamento, qualora l'utensile stesso o la batteria vengano a trovarsi in una delle condizioni seguenti: In alcune condizioni, gli indicatori si illuminano.

## Protezione dal sovraccarico

Quando l'utensile o la batteria vengono utilizzati in un modo che causi un assorbimento di energia elevato in modo anomalo, l'utensile si arresta automaticamente. In questa situazione, spegnere l'utensile e interrompere l'applicazione che ha causato il sovraccarico dell'utensile. Quindi, accendere l'utensile per ricominciare.

## Protezione dal surriscaldamento

Quando l'utensile è surriscaldato si arresta automaticamente, e l'indicatore della batteria lampeggia per circa 60 secondi. In questa circostanza, lasciar raffreddare l'utensile prima di riaccenderlo.



## Protezione dalla sovrascarica

Quando la carica della batteria diventa bassa, l'utensile si arresta automaticamente. Qualora il prodotto non funzioni anche quando si attivano gli interruttori, rimuovere le batterie dall'utensile e caricarle.

## Allarme di sovraccarico

Qualora l'utensile venga fatto funzionare con un carico eccessivo, l'indicatore di sovraccarico lampeggia in rosso. In questa circostanza, ridurre il carico sull'utensile. Quindi, l'indicatore smette di lampeggiare.

► Fig.6: 1. Indicatore di sovraccarico

## Funzionamento dell'interruttore

**AVVERTIMENTO:** Prima di inserire la cartuccia della batteria nell'utensile, controllare sempre che l'interruttore a grilletto funzioni correttamente e torni sulla posizione "OFF" quando viene rilasciato.

**AVVERTIMENTO:** Non rendere MAI inefficace il pulsante di sblocco fissandolo con del nastro adesivo o in altro modo. Un interruttore con un pulsante di sblocco reso inefficace potrebbe causare un funzionamento accidentale e gravi lesioni personali.

**AVVERTIMENTO:** Non utilizzare MAI l'utensile qualora si avvii semplicemente premendo l'interruttore a grilletto, senza premere il pulsante di sblocco. Un interruttore da riparare potrebbe causare un funzionamento accidentale e gravi lesioni personali. Riportare l'utensile a un centro di assistenza Makita per le riparazioni necessarie PRIMA di utilizzarlo ulteriormente.

Per evitare di premere accidentalmente l'interruttore a grilletto, è fornito un pulsante di sblocco. Per avviare l'utensile, premere il pulsante di sblocco, quindi premere l'interruttore a grilletto. Per arrestarlo, rilasciare l'interruttore a grilletto.

► Fig.7: 1. Interruttore a grilletto 2. Pulsante di sblocco

**AVVISO:** Non premere con forza l'interruttore a grilletto senza far rientrare il pulsante di sblocco premendolo. In caso contrario, si potrebbe causare la rottura dell'interruttore.

## Accensione della lampada

**ATTENZIONE:** Non osservare né guardare direttamente la fonte di luce.

Per accendere la lampada, premere il pulsante della lampada. Per spegnerla, premere di nuovo il pulsante della lampada.

► Fig.8: 1. Pulsante della lampada 2. Lampada

**NOTA:** L'indicatore luminoso si spegne automaticamente, se non viene eseguita alcuna operazione con l'utensile per un minuto.

## MONTAGGIO

**ATTENZIONE:** Accertarsi sempre che l'utensile sia spento e che la cartuccia della batteria sia stata rimossa, prima di effettuare qualsiasi intervento sull'utensile.

## Installazione o rimozione della mola troncatrice abrasiva o del disco diamantato

**ATTENZIONE:** Per l'installazione o la rimozione del disco, utilizzare esclusivamente la chiave Makita.

**ATTENZIONE:** Quando si intende installare il disco, accertarsi di serrare saldamente il bullone.

**ATTENZIONE:** Non premere il pulsante di blocco dell'albero quando il disco sta ruotando.

Per rimuovere il disco, premere il pulsante di blocco dell'albero e ruotare il disco fino a quando quest'ultimo non può più girare. Mentre il blocco albero è completamente bloccato, ruotare il bullone esagonale in senso antiorario utilizzando la chiave a tubo. Quindi, rimuovere il bullone esagonale, la flangia esterna e il disco.

► Fig.9: 1. Pulsante di blocco dell'albero 2. Chiave a tubo 3. Per serrare 4. Per allentare

► Fig.10: 1. Bullone esagonale 2. Flangia esterna (nera) 3. Mola troncatrice abrasiva/disco diamantato 4. Flangia interna (argentina) 5. Freccia (direzione di rotazione del disco)

Per installare il disco, eseguire la procedura di rimozione al contrario.  
**ACCERTARSI DI SERRARE SALDAMENTE IL BULLONE ESAGONALE.**

**⚠ATTENZIONE:** Installare sempre il disco in modo che la freccia sul disco diamantato punti nella stessa direzione della freccia sulla protezione disco. In caso contrario il disco ruota all'indietro, e potrebbe causare lesioni personali.

**⚠ATTENZIONE:** Utilizzare solo dischi che siano contrassegnati con una velocità pari o superiore a quella contrassegnata sull'utensile.

**NOTA:** Qualora la flangia interna venga rimossa accidentalmente, installare la flangia interna in modo che la sua sporgenza più alta sia rivolta verso il lato dell'utensile, come indicato nella figura.

- **Fig.11:** 1. Bullone esagonale 2. Flangia esterna (nera) 3. Mola troncatrice abrasiva/disco diamantato 4. Flangia interna (argentata) 5. Sporgenza (più alta)

## Collegamento all'alimentazione dell'acqua

1. Preparare un tubo flessibile dell'acqua.
2. Rimuovere il dado sul giunto di raccordo e far passare il tubo flessibile dell'acqua attraverso il dado. Inserire l'estremità del tubo flessibile nel giunto di raccordo, quindi serrare il dado.
- **Fig.12:** 1. Tubo flessibile dell'acqua 2. Dado del giunto di raccordo 3. Giunto di raccordo
3. Collegare il tubo flessibile dell'acqua alla fonte di alimentazione dell'acqua.

Quando si intende eseguire il collegamento con un rubinetto dell'acqua, utilizzare un raccordo idoneo, ad esempio una fascetta stringitubo o un raccordo per rubinetto dell'acqua.

- **Fig.13:** 1. Fascetta stringitubo 2. Raccordo per rubinetto dell'acqua 3. Tubo flessibile dell'acqua

**NOTA:** Il raccordo dipende dalla forma del rubinetto a cui si intende effettuare il collegamento. Preparare un raccordo idoneo disponibile in commercio.

**NOTA:** Se si utilizza un raccordo per rubinetto dell'acqua, preparare un altro giunto di raccordo e applicarlo all'altra estremità del tubo flessibile.

**NOTA:** Quando si intende utilizzare una pompa ad acqua, seguire le istruzioni della pompa ad acqua utilizzata per collegare il tubo flessibile dell'acqua.

4. Premere il giunto di raccordo sull'ingresso dell'acqua fino a quando si innesta con uno scatto.
- **Fig.14:** 1. Giunto di raccordo 2. Ingresso dell'acqua 3. Rubinetto

**AVVISO:** Mantenere il rubinetto chiuso fino a quando si inizia l'operazione di taglio con alimentazione dell'acqua. Per la modalità di alimentazione dell'acqua, fare riferimento alla sezione relativa al funzionamento.

## FUNZIONAMENTO

**⚠ATTENZIONE:** Prima dell'uso, accertarsi di bloccare lo sportellino dello scomparto batteria.

**⚠ATTENZIONE:** Accertarsi di mantenere saldamente il pezzo in lavorazione su un banco o un tavolo stabile durante l'uso.

**⚠ATTENZIONE:** Non torcere né forzare l'utensile nel taglio, in caso contrario il motore potrebbe venire sovraccaricato o il pezzo in lavorazione potrebbe rompersi.

## Taglio

**⚠ATTENZIONE:** Durante l'uso, non portare l'utensile a un'altezza superiore a quella della propria spalla.

- **Fig.15**

Tenere saldamente l'utensile. Afferrare la maniglia con la mano destra e l'impugnatura con la mano sinistra. Per evitare scosse elettriche dovute al taglio accidentale di cavi elettrici, afferrare sempre l'impugnatura per la parte designata, come indicato nella figura.

- **Fig.16:** 1. Parte da afferrare

Spostare l'utensile sulla superficie del pezzo in lavorazione mantenendolo in piano e procedendo in modo uniforme fino al completamento del taglio. Mantenere la linea di taglio diritta e la velocità di avanzamento costante.

- **Fig.17**

**NOTA:** Quando la temperatura della cartuccia della batteria è bassa, l'utensile potrebbe non operare alla massima capacità. In questa circostanza, utilizzare l'utensile, ad esempio, per un taglio a carico leggero per un po' di tempo, fino a quando la cartuccia della batteria si riscalda e raggiunge la temperatura ambiente. Dopodiché, l'utensile può lavorare alla massima capacità.

**NOTA:** Qualora l'azione di taglio del disco diamantato inizi a ridursi, riaffilare il tagliente del disco utilizzando una vecchia mola di scarto da banco a grana grossa o un blocco di calcestruzzo. Riaffilare premendo leggermente sul bordo esterno del disco diamantato.

## Quando si intende alimentare acqua durante il taglio

**⚠ATTENZIONE:** Quando si intende utilizzare un disco diamantato a umido, alimentare sempre acqua durante il taglio.

Collegare l'utensile alla fonte di alimentazione dell'acqua, quindi ruotare il rubinetto nella direzione della freccia, come indicato nella figura. Regolare la posizione del rubinetto in modo da ottenere un flusso d'acqua delicato.

- **Fig.18:** 1. Rubinetto

**⚠ATTENZIONE:** Quando si alimenta acqua, mantenere sempre la testa dell'utensile più in basso rispetto al corpo dell'utensile, per evitare che l'acqua penetri nel meccanismo dell'utensile. La mancata osservanza di questa indicazione potrebbe causare una scossa elettrica.

- **Fig.19**

# MANUTENZIONE

**⚠ATTENZIONE:** Accertarsi sempre che l'utensile sia spento e che la cartuccia della batteria sia stata rimossa prima di tentare di eseguire interventi di ispezione o manutenzione.

**AVVISO:** Non utilizzare mai benzina, benzene, solventi, alcol o altre sostanze simili. In caso contrario, si potrebbero causare scolorimenti, deformazioni o crepe.

Per preservare la SICUREZZA e l'AFFIDABILITÀ del prodotto, le riparazioni e qualsiasi altro intervento di manutenzione e di regolazione devono essere eseguiti da un centro di assistenza autorizzato Makita, utilizzando sempre ricambi Makita.

## Pulizia dell'utensile

Dopo ciascun utilizzo, rimuovere la cartuccia della batteria e il disco, quindi pulire polvere, sporco o schegge di metallo accumulati all'interno della protezione disco. Pulire il corpo dell'utensile rimuovendo polveri e sporco con un panno asciutto o con uno bagnato in acqua saponata e strizzato. Per pulire lo sporco dalla lente della lampada, utilizzare un panno asciutto. Fare attenzione a non graffiare la lente della lampada, altrimenti si potrebbe ridurre l'illuminazione.

► **Fig.20:** 1. Protezione disco 2. Lente della lampada

## Pulizia dell'apertura di ventilazione

Pulire le aperture di ventilazione dell'utensile a intervalli regolari, oppure ogni volta che iniziano a ostruirsi.

► **Fig.21:** 1. Apertura di aspirazione 2. Apertura di scarico

## Sostituzione della cinghia trapezoidale

1. Rimuovere la cartuccia della batteria e il disco.  
2. Allentare i bulloni a esagono incassato utilizzando la chiave esagonale, quindi rimuovere la copertura.

► **Fig.22:** 1. Bullone a esagono incassato  
2. Copertura

3. Mentre si torce con forza la cinghia trapezoidale in modo che il suo lato interno sia rivolto verso l'alto, come mostrato nella figura, ruotare il bullone sulla puleggia (grande) in senso orario utilizzando la chiave a tubo.

La cinghia trapezoidale devia dal suo percorso e si stacca man mano che si ruota il bullone.

► **Fig.23:** 1. Cinghia trapezoidale 2. Puleggia (grande) 3. Chiave a tubo

**AVVISO:** Non ruotare mai la chiave a tubo in senso antiorario. In caso contrario, si allenterebbe il bullone sulla puleggia (grande), causando prestazioni scadenti.

4. Agganciare la nuova cinghia trapezoidale alla puleggia (piccola). Posizionare l'altra estremità della cinghia trapezoidale sulla puleggia (grande), in modo che sia parzialmente agganciata al primo binario sul davanti della puleggia. (non è necessario agganciare la cinghia trapezoidale a tutti i binari sulla puleggia, in questa fase). Dopodiché, ruotare il bullone sulla puleggia (grande) in senso orario utilizzando la chiave a tubo.

La cinghia trapezoidale si inserisce sul suo percorso man mano che si ruota il bullone.

► **Fig.24:** 1. Puleggia (piccola) 2. Puleggia (grande)  
3. Chiave a tubo

Accertarsi che tutte le guide presenti sulla circonferenza interna della cinghia trapezoidale entrino nei binari presenti sulle pulegge. Tutti i binari sulla puleggia devono sostenere le guide sulla cinghia trapezoidale. Qualora sia presente un binario che non sostiene la guida, la cinghia trapezoidale non è installata correttamente.

► **Fig.25:** 1. Binario sulla puleggia 2. Guida sulla cinghia trapezoidale

5. Posizionare la copertura sull'utensile, quindi serrare i bulloni a esagono incassato utilizzando la chiave esagonale.

► **Fig.26:** 1. Tubo 2. Copertura 3. Bullone a esagono incassato

**AVVISO:** Accertarsi che il tubo per l'alimentazione dell'acqua si trovi nelle posizioni indicate nella figura, prima di montare la copertura.

# RISOLUZIONE DEI PROBLEMI

Prima di richiedere riparazioni, eseguire un'ispezione personalmente. Qualora si rilevi un problema che non è illustrato nel manuale, non tentare di smontare l'utensile. Rivolgersi, invece, a un centro di assistenza autorizzato Makita, utilizzando sempre pezzi di ricambio Makita per le riparazioni.

Stato di anomalia	Causa probabile (guasto)	Azione correttiva
Il motore non funziona.	Le cartucce delle batterie non sono installate.	Installare due cartucce delle batterie. Questo utensile non funziona con una sola cartuccia della batteria.
	Problema della batteria (sotto tensione)	Ricaricare la batteria. Qualora la ricarica non abbia effetto, sostituire la cartuccia della batteria.
	Il sistema di trasmissione non funziona correttamente.	Richiedere la riparazione a un centro di assistenza autorizzato locale.
Il motore si arresta dopo un breve utilizzo.	Il livello di carica della batteria è basso.	Ricaricare la batteria. Qualora la ricarica non abbia effetto, sostituire la cartuccia della batteria.
	Surriscaldamento.	Interrompere l'utilizzo dell'utensile per consentirgli di raffreddarsi.
La rotazione del disco non accelera correttamente anche dopo aver fatto funzionare l'utensile a vuoto per 20 secondi.	La batteria non è installata correttamente.	Installare la cartuccia della batteria come descritto nel presente manuale.
	La carica della batteria si sta esaurendo.	Ricaricare la cartuccia della batteria. Qualora la ricarica non abbia effetto, sostituire la cartuccia della batteria.
	La cinghia trapezoidale sta scivolando.	Sostituire la cinghia trapezoidale con una nuova.
Il disco non ruota: ⇒ arrestare immediatamente la macchina!	Il sistema di trasmissione non funziona correttamente.	Richiedere la riparazione a un centro di assistenza autorizzato locale.
	La cinghia trapezoidale sta scivolando.	Sostituire la cinghia trapezoidale con una nuova.
	Un corpo estraneo è incastrato tra la protezione e il disco.	Disinstallare la cartuccia della batteria, quindi rimuovere il corpo estraneo.
Vibrazione anomala: ⇒ arrestare immediatamente la macchina!	Il sistema di trasmissione non funziona correttamente.	Richiedere la riparazione a un centro di assistenza autorizzato locale.
	Montaggio errato del disco.	Installare il disco come indicato nel presente manuale. Serrare il bullone per fissare saldamente il disco.
Non si riesce ad arrestare l'utensile da taglio e il motore: ⇒ Rimuovere immediatamente la cartuccia della batteria!	Malfunzionamento elettrico o elettronico.	Rimuovere la cartuccia della batteria e richiedere la riparazione a un centro di assistenza autorizzato locale.
Prestazioni di taglio scadenti	È arrivato il momento di sostituire il disco.	Sostituire il disco con uno nuovo.
Dell'acqua fuoriesce dall'ingresso.	Dell'acqua fuoriesce dalla parte con la guarnizione circolare.	Chiedere la riparazione al proprio centro di assistenza autorizzato locale.

## ACCESSORI OPZIONALI

**⚠ATTENZIONE:** Questi accessori o componenti aggiuntivi sono consigliati per l'uso con l'utensile Makita specificato nel presente manuale. L'impiego di altri accessori o componenti aggiuntivi può costituire un rischio di lesioni alle persone. Utilizzare gli accessori o i componenti aggiuntivi solo per il loro scopo prefissato.

- Giunto di raccordo
- Kit flangia 60 (a seconda della nazione)
- Chiave a tubo
- Chiave esagonale
- Batteria e caricabatterie originali Makita

**NOTA:** Alcuni articoli nell'elenco potrebbero essere inclusi nell'imballaggio dell'utensile come accessori standard. Tali articoli potrebbero variare da nazione a nazione.

Per ottenere ulteriori dettagli relativamente a questi accessori, rivolgersi a un centro di assistenza Makita.

- Mola troncatrice abrasiva
- Disco diamantato
- Cinghia trapezoidale

## TECHNISCHE GEGEVENS

Model:	DCE090
Schijfdiameter	230 mm
Max. schijfdikte	3,0 mm
Max. slijpdiepte	88 mm
Nominaal toerental	6.600 min <sup>-1</sup>
Nominale spanning	36 V gelijkstroom
Max. toegestane druk van toevoerwater	5,0 bar
Totale lengte	554 mm
Nettogewicht	5,6 - 6,3 kg

- In verband met ononderbroken research en ontwikkeling, behouden wij ons het recht voor de bovenstaande technische gegevens zonder voorafgaande kennisgeving te wijzigen.
- De technische gegevens kunnen van land tot land verschillen.
- Het gewicht kan verschillen afhankelijk van de hulpstukken, waaronder de accu. De lichtste en zwaarste combinatie, overeenkomstig de EPTA-procedure 01/2014, worden getoond in de tabel.

### Toepasselijke accu's en laders

Accu	BL1815N / BL1820 / BL1820B / BL1830 / BL1830B / BL1840 / BL1840B / BL1850 / BL1850B / BL1860B
Lader	DC18RC / DC18RD / DC18RE / DC18SD / DC18SE / DC18SF / DC18SH

- Sommige van de hierboven vermelde accu's en laders zijn mogelijk niet leverbaar afhankelijk van waar u woont.

**⚠ WAARSCHUWING:** Gebruik uitsluitend de accu's en laders die hierboven worden genoemd. Gebruik van enige andere accu of lader kan leiden tot letsel en/of brand.

### Gebruiksdoeleinden

Het gereedschap is bedoeld voor het slijpen in metalen materialen met behulp van een doorslijpschijf, en in materialen van steen met behulp van een diamantschijf.

### Geluidsniveau

De typische, A-gewogen geluidsniveaus zijn gemeten volgens EN60745-2-22:

Geluidsdrukniveau ( $L_{pA}$ ): 103 dB (A)

Geluidsvermogeniveau ( $L_{WA}$ ): 114 dB (A)

Onzekerheid (K): 3 dB (A)

**OPMERKING:** De opgegeven geluidsemisiewaarde(n) is/zijn gemeten volgens een standaardtestmethode en kan/kunnen worden gebruikt om dit gereedschap te vergelijken met andere gereedschappen.

**OPMERKING:** De opgegeven geluidsemisiewaarde(n) kan/kunnen ook worden gebruikt voor een beoordeling vooraf van de blootstelling.

**⚠ WAARSCHUWING:** Draag gehoorbescherming.

**⚠ WAARSCHUWING:** De geluidsemisie tijdens het gebruik van het elektrisch gereedschap in de praktijk kan verschillen van de opgegeven waarde(n) afhankelijk van de manier waarop het gereedschap wordt gebruikt, met name van het soort werkstuk waarmee wordt gewerkt.

**⚠ WAARSCHUWING:** Zorg ervoor dat veiligheidsmaatregelen worden getroffen ter bescherming van de gebruiker die zijn gebaseerd op een schatting van de blootstelling onder praktijkomstandigheden (rekening houdend met alle fasen van de bedrijfscyclus, zoals de tijdsduur gedurende welke het gereedschap is uitgeschakeld en stationair draait, naast de ingeschakelde tijdsduur).

## Trilling

Gebruikstoepassing: slijpen in cement

Linkerhand		Rechterhand		Toepasselijke norm
$a_{h,w}$ (m/s <sup>2</sup> )	Onzekerheid K (m/s <sup>2</sup> )	$a_{h,w}$ (m/s <sup>2</sup> )	Onzekerheid K (m/s <sup>2</sup> )	
5,9	1,5	4,0	1,5	EN60745-2-22

**OPMERKING:** De totale trillingswaarde(n) is/zijn gemeten volgens een standaardtestmethode en kan/kunnen worden gebruikt om dit gereedschap te vergelijken met andere gereedschappen.

**OPMERKING:** De opgegeven totale trillingswaarde(n) kan/kunnen ook worden gebruikt voor een beoordeling vooraf van de blootstelling.

**⚠️ WAARSCHUWING:** De trillingsemisatie tijdens het gebruik van het elektrisch gereedschap in de praktijk kan verschillen van de opgegeven waarde(n) afhankelijk van de manier waarop het gereedschap wordt gebruikt, met name van het soort werkstuk waarmee wordt gewerkt.

**⚠️ WAARSCHUWING:** Zorg ervoor dat veiligheidsmaatregelen worden getroffen ter bescherming van de gebruiker die zijn gebaseerd op een schatting van de blootstelling onder praktijkomstandigheden (rekening houdend met alle fasen van de bedrijfsmodus, zoals de tijdsduur gedurende welke het gereedschap is uitgeschakeld en stationair draait, naast de ingeschakelde tijdsduur).

## EG-verklaring van conformiteit

*Alleen voor Europese landen*

De EG-verklaring van conformiteit is bijgevoegd als Bijlage A bij deze gebruiksaanwijzing.

## VEILIGHEIDSWAARSCHUWINGEN

### Algemene veiligheidswaarschuwingen voor elektrisch gereedschap

**⚠️ WAARSCHUWING:** Lees alle veiligheids- waarschuwingen, aanwijzingen, afbeeldingen en technische gegevens behorend bij dit elektrische gereedschap aandachtig door. Als u niet alle onderstaande aanwijzingen naleeft, kan dat resulteren in brand, elektrische schokken en/of ernstig letsel.

### Bewaar alle waarschuwingen en instructies om in de toekomst te kunnen raadplegen.

De term "elektrisch gereedschap" in de veiligheidsvoorschriften duidt op gereedschappen die op stroom van het lichtnet werken (met snoer) of gereedschappen met een accu (snoerloos).

### Veiligheidswaarschuwingen voor een accuslijpmachine

1. **Monteer de beschermbeugel die bij het gereedschap is geleverd vooral stevig aan het elektrisch gereedschap en stel de beugel voor optimale veiligheid zodanig af dat een zo klein mogelijk deel van de schijf vrij blijft naar de gebruiker toe. Zorg dat u zelf en omstanders buiten het rotatievlak van de draaiende schijf blijven. De beschermbeugel dient om de gebruiker te beschermen tegen aanraking met de schijf en eventuele rondvliegende fragmenten daarvan.**

2. **Gebruik uitsluitend gelijkde, versterkte doorslijpschijven of diamantschijven voor uw elektrisch gereedschap. Ook wanneer het accessoire kan worden bevestigd op uw elektrisch gereedschap, is een veilige werking niet gegarandeerd.**
3. **Het nominale toerental van het accessoire moet minstens gelijk zijn aan het maximumtoerental vermeld op het elektrisch gereedschap. Accessoires die met een hoger toerental draaien dan hun nominaal toerental kunnen stuk breken en in het rond vliegen.**
4. **De schijven mogen uitsluitend worden gebruikt voor de aanbevolen toepassingen. Bijvoorbeeld, probeer niet te slijpen met de platte kant van de doorslijpschijf. Doorslijpschijven zijn ontworpen voor het slijpen met de rand van de schijf; zijwaarts druk kan dergelijke in stukken doen breken.**
5. **Gebruik altijd onbeschadigde schijfflensen van de juiste diameter voor de te gebruiken schijf. Een goede schijfflens ondersteunt de schijf en verkleint daarmee de kans op het breken van de schijf.**
6. **Gebruik geen deels afgesleten, versterkte schijven van grotere elektrische gereedschappen. Schijven die zijn bedoeld voor een groter elektrisch gereedschap zijn niet geschikt voor de hogere toerentalen van een kleiner elektrisch gereedschap en kunnen in stukken breken.**
7. **De buitendiameter en de dikte van het accessoire moet binnen het capaciteitsbereik van het elektrisch gereedschap vallen. Accessoires met verkeerde afmetingen kunnen niet afdoende worden afgeschermd of beheerst.**
8. **De asgatdiameter van schijven en flenzen moet goed passen rond de as van het elektrisch gereedschap. Schijven en flenzen met een asgatdiameter die niet overeenkomt met de bevestigingshardware van het elektrisch gereedschap zullen niet in balans draaien en buitensporig trillen, en kunnen tot verlies van controle over het gereedschap leiden.**
9. **Gebruik nooit beschadigde schijven. Inspecteer vóór ieder gebruik de schijven op ontbrekende schilfers en barsten. Nadat het elektrisch gereedschap of de schijf is gevallen, inspecteert u het op schade of monteert u een onbeschadigde schijf. Na inspectie en montage van de schijf, zorgt u ervoor dat u en omstanders niet in het rotatievlak van de schijf staan, en laat u het elektrisch gereedschap draaien op het maximaal, onbelast toerental gedurende één minuut. Beschadigde schijven breken normaal gesproken in stukken gedurende deze testduur.**

10. **Gebruik persoonlijke-beschermingsmiddelen.** Afhankelijk van de toepassing gebruikt u een spat scherm, een beschermende bril of een veiligheidsbril. Al naar gelang van toepassing draagt u een stofmasker, gehoorbeschermers, handschoenen en een werkschoort die in staat zijn kleine stukjes slijpsel of werkstukfragmenten te weerstaan. De oogbescherming moet in staat zijn rondvliegend afval te stoppen dat ontstaat bij de diverse werkzaamheden. Het stofmasker of ademhalingsapparaat moet in staat zijn deeltjes te filteren die ontstaan bij de werkzaamheden. Langdurige blootstelling aan zeer intens geluid kan leiden tot gehoorbeschadiging.
11. **Houd omstanders op veilige afstand van het werkgebied.** Iedereen die zich binnen het werkgebied begeeft, moet persoonlijke-beschermingsmiddelen gebruiken. Fragmenten van het werkstuk of van een uiteengevallen schijf kunnen rondvliegen en letsel veroorzaken buiten de onmiddellijke werkomgeving.
12. **Houd het elektrisch gereedschap uitsluitend vast aan het geïsoleerde oppervlak van de handgrepen wanneer u werkt op plaatsen waar het slijpaccessoire met verborgen bedrading in aanraking kan komen.** Wanneer het slijpaccessoire in aanraking komt met onder spanning staande draden, zullen de niet-geïsoleerde metalen delen van het gereedschap onder spanning komen te staan zodat de gebruiker een elektrische schok kan krijgen.
13. **Leg het elektrisch gereedschap nooit neer voordat het accessoire volledig tot stilstand is gekomen.** De ronddraaiende schijf kan de ondergrond pakken zodat u de controle over het elektrisch gereedschap verliest.
14. **Laat het elektrisch gereedschap niet draaien terwijl u het naast u draagt.** Als het ronddraaiende accessoire u per ongeluk raakt, kan het verstrikt raken in uw kleding waardoor het accessoire in uw lichaam wordt getrokken.
15. **Maak de ventilatieopeningen van het elektrisch gereedschap regelmatig schoon.** De ventilator van de motor zal het stof de behuizing in trekken, en een grote opeenhoping van metaalslijpsel kan leiden tot elektrisch gevaarlijke situaties.
16. **Gebruik het elektrisch gereedschap niet in de buurt van brandbare materialen.** Vonken kunnen deze materialen doen ontvlammen.

#### **Terugslag en aanverwante waarschuwingen**

Terugslag is een plotselinge reactie op een beknelde of vastgelopen draaiende schijf. Beknellen of vastlopen veroorzaakt een snelle stilstand van de draaiende schijf dat op zijn beurt ertoe leidt dat het elektrisch gereedschap zich ongecontroleerd beweegt in de tegenovergestelde richting van de draairichting van de schijf op het moment van vastlopen. Bijvoorbeeld, als een slijpschijf bekneld raakt of vastloopt in het werkstuk, kan de rand van de schijf die het beknellingspunt ingaat, zich invreten in het oppervlak van het materiaal waardoor de schijf eruit klimt of eruit slaat. De schijf kan daarbij naar de gebruiker toe of weg springen, afhankelijk van de draairichting van de schijf op het beknellingspunt. Slijpschijven kunnen in dergelijke situaties ook breken. Terugslag is het gevolg van misbruik van het elektrisch gereedschap en/of onjuiste gebruiksprocedures of omstandigheden, en kan worden voorkomen door goede voorzorgsmaatregelen te treffen, zoals hieronder vermeld.

1. **Houd het elektrisch gereedschap stevig vast en houd uw armen en lichaam zodanig dat u in staat bent een terugslag op te vangen.** Gebruik altijd de extra handgreep (indien aanwezig) voor een maximale controle over het gereedschap in geval van terugslag en de koppelreactiekrachten bij het starten. De gebruiker kan een terugslag of de koppelreactie opvangen indien de juiste voorzorgsmaatregelen worden getroffen.
2. **Plaats uw hand nooit in de buurt van het draaiende accessoire.** Het accessoire kan terugslaan over uw hand.
3. **Zorg dat uw lichaam buiten het rotatievlak van de draaiende schijf blijft.** Een terugslag zal het gereedschap bewegen in de tegenovergestelde richting van de draairichting van de schijf op het moment van beknellen.
4. **Wees bijzonder voorzichtig bij het werken met hoeken, scherpe randen, enz. Voorkom dat het accessoire springt of bekneld raakt.** Hoeken, scherpe randen of springen veroorzaken vaak beknellen van het draaiende accessoire wat leidt tot terugslag of verlies van controle over het gereedschap.
5. **Bevestig geen zaagketting, houtsnijblad of gesegmenteerde diamantschijf met randopeningen van meer dan 10 mm, of een getand zaagblad.** Dergelijke bladen leiden vaak tot terugslag of verlies van controle over het gereedschap.
6. **Laat de schijf niet vastlopen en oefen geen buitensporige druk uit. Probeer niet een buitensporig diepe snede te slijpen.** Een te grote kracht op de schijf verhoogt de belasting en de kans dat de schijf in de snede verdraait of vastloopt, waardoor terugslag kan optreden of de schijf kan breken.
7. **Wanneer de schijf vastloopt of u het slijpen onderbreekt, schakelt u het elektrisch gereedschap uit en houdt u dit stil totdat de schijf volledig tot stilstand is gekomen. Probeer nooit de schijf uit de snede te halen terwijl de schijf nog draait omdat hierdoor een terugslag kan optreden.** Onderzoek waarom de schijf is vastgelopen en tref afdoende maatregelen om de oorzaak ervan op te heffen.
8. **Begin niet met slijpen terwijl de schijf al in het werkstuk steekt. Wacht totdat de schijf op volle toeren draait en breng daarna de schijf voorzichtig terug in de snede.** Wanneer het elektrisch gereedschap opnieuw wordt gestart terwijl de schijf al in het werkstuk steekt, kan de schijf vastlopen, omhoog lopen of terugslaan.
9. **Ondersteun platen en grote werkstukken om de kans op het beknellen van de schijf en terugslag te minimaliseren.** Grote werkstukken neigen door te zakken onder hun eigen gewicht. U moet het werkstuk ondersteunen vlakbij de slijplijn en vlakbij de rand van het werkstuk aan beide kanten van de schijf.
10. **Wees extra voorzichtig wanneer u een invalsnede maakt in een bestaande wand of op een andere plaats waarvan u de onderkant niet kunt zien.** De uitstekende schijf kan gas- of waterleidingen, elektrische bedrading of voorwerpen die terugslag veroorzaken raken.

## Aanvullende veiligheidswaarschuwingen:

1. Voordat u een gesegmenteerde diamantschijf gebruikt, controleert u dat de diamantschijf randopeningen van 10 mm of minder tussen de segmenten heeft, met alleen een negatieve hellingshoek.
2. Probeer in geen geval materialen door te slijpen met het gereedschap ondersteboven vastgezet in een bankschroef. Dat is bijzonder gevaarlijk en kan ernstige ongelukken veroorzaken.
3. Bepaalde materialen kunnen giftige chemicaliën bevatten. Let op dat u geen stof inademt en zorg dat er niets op uw huid komt. Volg de veiligheidsinstructies van de leverancier van de materialen.
4. Berg de schijven zorgvuldig op volgens de aanbevelingen van de fabrikant. Onjuiste opslag kan de schijven beschadigen.
5. Gebruik altijd een schijf die geschikt is voor uw werkzaamheden en het materiaal waarin u gaat slijpen.
6. Inspecteer het materiaal alvorens erin te slijpen. Als het materiaal explosieve of ontvlambare stoffen bevat, kan het een explosie of brand veroorzaken.
7. Schakel het gereedschap niet in wanneer een vreemd voorwerp klem zit tussen de beschermkap en de schijf. In dat geval verwijdert u de accu en verwijdert u het vreemde voorwerp.
8. Gebruik klemmen of iets dergelijks om het werkstuk vast te zetten wanneer dat mogelijk is.
9. Draag tijdens gebruik altijd gehoorbescherming.
10. Slijp met dit gereedschap niet in houten materialen.

## BEWAAR DEZE INSTRUCTIES.

**⚠️ WAARSCHUWING:** Laat u NIET misleiden door een vals gevoel van comfort en bekendheid met het gereedschap (na veelvuldig gebruik) en neem alle veiligheidsvoorschriften van het betreffende gereedschap altijd strikt in acht. VERKEERD GEBRUIK of het niet naleven van de veiligheidsvoorschriften in deze gebruiksaanwijzing kan leiden tot ernstig persoonlijk letsel.

## Belangrijke veiligheidsinstructies voor een accu

1. Lees alle voorschriften en waarschuwingen op (1) de acculader, (2) de accu, en (3) het product waarvoor de accu wordt gebruikt, alvorens de accu in gebruik te nemen.
2. Haal de accu niet uit elkaar en saboteer hem niet. Dit kan leiden tot brand, buitensporige hitte of een explosie.
3. Als de gebruikstijd van een opgeladen accu aanzienlijk korter is geworden, moet u het gebruik ervan onmiddellijk stopzetten. Voortgezet gebruik kan oververhitting, brandwonden en zelfs een ontploffing veroorzaken.
4. Als elektrolyt in uw ogen is terechtgekomen, spoelt u uw ogen met schoon water en roept u onmiddellijk de hulp van een dokter in. Elektrolyt in de ogen kan blindheid veroorzaken.
5. **V voorkom kortsluiting van de accu:**
  - (1) Raak de accuklemmen nooit aan met een geleidend materiaal.
  - (2) Bewaar de accu niet in een bak waarin andere metalen voorwerpen zoals spijkers, munten e.d. worden bewaard.
  - (3) Stel de accu niet bloot aan water of regen. Kortsluiting van de accu kan oorzaak zijn van een grote stroomafgifte, oververhitting, brandwonden, en zelfs defecten.
6. Bewaar en gebruik het gereedschap en de accu niet op plaatsen waar de temperatuur kan oplopen tot 50 °C of hoger.
7. Werp de accu nooit in het vuur, ook niet wanneer hij zwaar beschadigd of volledig versleten is. De accu kan ontploffen in het vuur.
8. Laat de accu niet vallen, sla er geen spijker in, snijd er niet in, gooi er niet mee en stoot hem niet tegen een hard voorwerp. Dergelijke handelingen kunnen leiden tot brand, buitensporige hitte of een explosie.
9. **Gebruik nooit een beschadigde accu.**
10. **De bijgeleverde lithium-ionbatterijen zijn onderhevig aan de vereisten in de wetgeving omtrent gevaarlijke stoffen.**

Voor commercieel transport en dergelijke door derden en transporteurs moeten speciale vereisten ten aanzien van verpakking en etikettering worden nageleefd.

Als voorbereiding van het artikel dat wordt getransporteerd is het noodzakelijk een expert op het gebied van gevaarlijke stoffen te raadplegen. Houd u tevens aan mogelijk strengere nationale regelgeving.

Blootliggende contactpunten moeten worden afgedekt met tape en de accu moet zodanig worden verpakt dat deze niet kan bewegen in de verpakking.
11. **Wanneer u de accu wilt weggooien, verwijdert u de accu vanaf het gereedschap en gooit u hem op een veilige manier weg. Volg bij het weggooien van de accu de plaatselijke voorschriften.**
12. **Gebruik de accu's uitsluitend met de gereedschappen die door Makita zijn aanbevolen.** Als de accu's worden aangebracht in niet-compatibele gereedschappen, kan dat leiden tot brand, buitensporige warmteontwikkeling, een explosie of lekkage van elektrolyt.
13. **Als u het gereedschap gedurende een lange tijd niet denkt te gaan gebruiken, moet de accu vanaf het gereedschap worden verwijderd.**
14. **Tijdens en na gebruik, kan de accu heet worden waardoor brandwonden of koude brandwonden kunnen worden veroorzaakt. Wees voorzichtig bij het hanteren van een hete accu.**
15. **Raak de aansluitpunten van het gereedschap niet onmiddellijk na gebruik aan omdat deze heet genoeg kunnen zijn om brandwonden te veroorzaken.**
16. **Zorg ervoor dat geen steenslag, stof of grond vast komt te zitten op/in de aansluitpunten, openingen en groeven van de accu.** Dit kan leiden tot slechte prestaties of een defect van het gereedschap of de accu.



17. Behalve indien gebruik van het gereedschap is toegestaan in de buurt van hoogspanningsleidingen, mag u de accu niet gebruiken in de buurt van een hoogspanningsleiding. Dit kan leiden tot een storing of een defect van het gereedschap of de accu.
18. Houd de accu uit de buurt van kinderen.

## BEWAAR DEZE INSTRUCTIES.

**⚠ LET OP:** Gebruik uitsluitend originele Makita accu's. Het gebruik van niet-originele accu's, of accu's die zijn gewijzigd, kan ertoe leiden dat de accu ontploft en brand, persoonlijk letsel en schade veroorzaakt. Ook vervalt daarmee de garantie van Makita op het gereedschap en de lader van Makita.

## Tips voor een maximale levensduur van de accu

1. Laad de accu op voordat hij volledig ontladen is. Stop het gebruik van het gereedschap en laad de accu op telkens wanneer u vaststelt dat het vermogen van het gereedschap is afgenomen.
2. Laad een volledig opgeladen accu nooit opnieuw op. Te lang opladen verkort de levensduur van de accu.
3. Laad de accu op bij een omgevingstemperatuur tussen 10°C en 40°C. Laat een warme accu afkoelen alvorens hem op te laden.
4. Als de accu niet wordt gebruikt, verwijdert u hem vanaf het gereedschap of de lader.
5. Laad de accu op als u deze gedurende een lange tijd (meer dan zes maanden) niet gaat gebruiken.

## BESCHRIJVING VAN DE ONDERDELEN

► Fig.1

1	Doorslijpschijf of diamantschijf	2	Beschermkap	3	Handgreep	4	Deksel (van accuvak)
5	Uit-vergrendelknop	6	Haak	7	Lamp	8	Controleknop
9	Accu-indicator	10	Overbelastingsindicator	11	Lampknop	12	Trekkerschakelaar
13	Handvat	14	Waterinlaat	15	Kraan	16	Afdekking (van V-riem)
17	Asvergrendelknop	18	Koppelstuk	19	Pijpsleutel	20	Inbussleutel

## BESCHRIJVING VAN DE FUNCTIES

**⚠ LET OP:** Zorg altijd dat het gereedschap is uitgeschakeld en de accu ervan is verwijderd alvorens de functies op het gereedschap af te stellen of te controleren.

### De accu aanbrengen en verwijderen

**⚠ LET OP:** Schakel het gereedschap altijd uit voordat u de accu aanbrengt of verwijdert.

**⚠ LET OP:** Houd het gereedschap en de accu stevig vast tijdens het aanbrengen of verwijderen van de accu. Als u het gereedschap en de accu niet stevig vasthoudt, kunnen deze uit uw handen glijpen en het gereedschap of de accu beschadigen, of kan persoonlijk letsel worden veroorzaakt.

Om de accu aan te brengen, ontgrendelt u de haak en opent u het deksel. Lijn de lip op de accu uit met de groef in de behuizing en duw de accu op zijn plaats. Steek hem er helemaal in tot hij op zijn plaats wordt vergrendeld met een klikgeluid. Wanneer het rode deel aan de bovenkant van de knop nog zichtbaar is, zit de accu er nog niet helemaal in.

Na het aanbrengen of verwijderen van de accu's, verze-kert u zich ervan dat het deksel is gesloten en vergrendeld met de haak.

► Fig.2: 1. Deksel 2. Haak

Om de accu's te verwijderen drukt u de knop aan de voorkant van de accu en trekt u tegelijkertijd de accu omhoog.

► Fig.3: 1. Rood deel 2. Knop 3. Accu

**⚠ LET OP:** Breng de accu altijd helemaal aan totdat het rode deel niet meer zichtbaar is. Als u dit niet doet, kan de accu per ongeluk uit het gereedschap vallen en u of anderen in uw omgeving verwonden.

**⚠ LET OP:** Breng de accu niet met kracht aan. Als de accu niet gemakkelijk in het gereedschap kan worden geschoven, wordt deze niet goed aangebracht.

**OPMERKING:** Het gereedschap werkt niet met slechts één accu.

### De resterende acculading controleren

**Alleen voor accu's met indicatorlampjes**

► Fig.4: 1. Indicatorlampjes 2. Testknop

Druk op de testknop op de accu om de resterende acculading te zien. De indicatorlampjes branden gedurende enkele seconden.

Indicatorlampjes			Resterende acculading
Brandt	Uit	Knippert	
■	□	▧	
■ ■ ■ ■			75% tot 100%
■ ■ ■ □			50% tot 75%
■ ■ □ □			25% tot 50%
■ □ □ □			0% tot 25%
▧ □ □ □			Laad de accu op.
■ ■ □ □			Er kan een storing zijn opgetreden in de accu.
□ □ ■ ■			




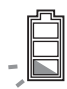
**OPMERKING:** Afhankelijk van de gebruiksomstandigheden en de omgevingstemperatuur, is het mogelijk dat de aangegeven acculading verschilt van de werkelijke acculading.

**OPMERKING:** Het eerste (meest linker) indicatorlampje knippert wanneer het accubeveiligingssysteem in werking is getreden.

## De resterende acculading controleren

► Fig.5: 1. Accu-indicatorlampje 2. Testknop

Druk op de testknop om de resterende acculadingen te zien. De accu-indicatorlampjes geven per accu de resterende acculading aan.

Toestand van accu-indicator			Resterende acculading
Aan	Uit	Knippert	
■	□	▧	
			50% tot 100%
			20% tot 50%
			0% tot 20%
			Laad de accu op.

## Gereedschap-/accubeveiligingssysteem

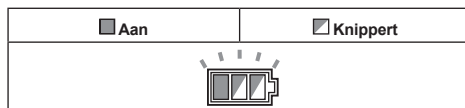
Het gereedschap is uitgerust met een gereedschap-/accubeveiligingssysteem. Dit systeem kan automatisch de stroomtoevoer naar de motor afsluiten om de levensduur van het gereedschap en de accu te verlengen. Het gereedschap zal tijdens gebruik automatisch stoppen wanneer het gereedschap of de accu zich in een van de volgende omstandigheden bevindt: Onder bepaalde omstandigheden gaan de indicatorlampjes branden.

### Overbelastingsbeveiliging

Als het gereedschap/de accu wordt bediend op een manier waardoor een abnormaal hoge stroom wordt getrokken, stopt het gereedschap automatisch. Schakel in die situatie het gereedschap uit en stop het gebruik dat ertoe leidde dat het gereedschap overbelast raakte. Schakel daarna het gereedschap in om het weer te starten.

### Oververhittingsbeveiliging

Wanneer het gereedschap oververhit is, stopt het gereedschap automatisch en knippert de accu-indicator gedurende ongeveer 60 seconden. Laat in die situatie het gereedschap afkoelen voordat u het gereedschap weer inschakelt.



### Beveiliging tegen te ver ontladen

Als de acculading laag is, stopt het gereedschap automatisch. Als het gereedschap niet werkt, ook niet wanneer de schakelaars worden bediend, verwijdert u de accu's vanaf het gereedschap en laadt u de accu's op.

### Waarschuwing wegens overbelasting

Als het gereedschap onder een buitensporig hoge belasting wordt gebruikt, knippert de overbelastingsindicator rood. Verlaag in zo'n situatie de belasting op het gereedschap. De indicator stopt dan met knipperen.

► Fig.6: 1. Overbelastingsindicator

### De trekverschakelaar gebruiken

**!WAARSCHUWING:** Alvorens de accu in het gereedschap te plaatsen, moet u altijd controleren of de trekverschakelaar goed werkt en bij het loslaten terugkeert naar de stand "OFF".

**!WAARSCHUWING:** U mag NOOIT de werking van de uit-vergrendelknop omzeilen door hem met tape vast te plakken of op een andere manier. Een schakelaar met een gemanipuleerde uit-vergrendelknop kan leiden tot onbedoeld inschakelen van het gereedschap en ernstig persoonlijk letsel.

**!WAARSCHUWING:** Gebruik het gereedschap NOOIT wanneer dit draait door gewoon de trekverschakelaar in te knippen zonder de uit-vergrendelknop in te drukken. Een schakelaar die gerepareerd moet worden kan leiden tot onbedoelde bediening en ernstig persoonlijk letsel. Stuur het gereedschap naar een Makita-servicecentrum voor deugdelijke reparatie ALVORENS het verder te gebruiken.

Om te voorkomen dat de trekkerschakelaar per ongeluk wordt ingeknepen, is een uit-vergrendelknop aangebracht. Om het gereedschap te starten, drukt u de uit-vergrendelknop in en knijpt u de trekkerschakelaar in. Laat de trekkerschakelaar los om te stoppen.

► **Fig.7:** 1. Trekkerschakelaar 2. Uit-vergrendelknop

**KENNISGEVING:** Knijp de trekkerschakelaar niet hard in zonder de uit-vergrendelknop in te drukken. Hierdoor kan de schakelaar kapot gaan.

## De lamp inschakelen

**⚠ LET OP:** Kijk niet direct in het lamplicht of in de lichtbron.

Om de lamp in te schakelen, drukt u op de lampknop. Om uit te schakelen, drukt u nogmaals op de lampknop.

► **Fig.8:** 1. Lampknop 2. Lamp

**OPMERKING:** De lamp wordt automatisch uitgeschakeld als het gereedschap gedurende één minuut niet wordt bediend.

## MONTAGE

**⚠ LET OP:** Zorg altijd dat het gereedschap is uitgeschakeld en de accu ervan is verwijderd alvorens enig werk aan het gereedschap uit te voeren.

### De beschermkap voor de doorslijpschijf of diamantschijf aanbrengen en verwijderen

**⚠ LET OP:** Gebruik uitsluitend de Makita-sleutel voor het aanbrengen en verwijderen van de schijf.

**⚠ LET OP:** Zorg ervoor dat bij het aanbrengen van de schijf de bout stevig wordt vastgedraaid.

**⚠ LET OP:** Druk de asvergrendelknop niet in terwijl de schijf ronddraait.

Om de schijf te verwijderen, drukt u de asvergrendelknop in en draait u de schijf rond tot de schijf niet meer kan draaien. Terwijl de asvergrendeling volledig aangrijpt, draait u met behulp van de pijpsleutel de zeskantbout linksom. Verwijder de zeskantbout, de buitenflens en de schijf.

► **Fig.9:** 1. Asvergrendelknop 2. Pijpsleutel 3. Vastdraaien 4. Losdraaien

► **Fig.10:** 1. Inbusbout 2. Buitenflens (zwart) 3. Doorslijpschijf of diamantschijf 4. Binnenflens (zilver) 5. Pijl (draairichting van de schijf)

Om de schijf aan te brengen, volgt u de verwijderingsprocedure in omgekeerde volgorde.  
**ZORG ERVOOR DAT U DE ZESKANTBOUT STEVIG VASTDRAAIT.**

**⚠ LET OP:** Breng de schijf altijd aan zodat de pijl op de schijf in dezelfde richting wijst als de pijl op de beschermkap. Anders draait de schijf achteruit, waardoor persoonlijk letsel kan ontstaan.

**⚠ LET OP:** Gebruik uitsluitend schijven die zijn gemarkeerd met een toerental dat gelijk is aan of hoger is dan het toerental aangegeven op het gereedschap.

**OPMERKING:** Als per ongeluk de binnenflens eraf is gekomen, monteert u de binnenflens zodanig dat het grotere uitsteeksel naar het gereedschap is gericht, zoals aangegeven in de afbeelding.

► **Fig.11:** 1. Inbusbout 2. Buitenflens (zwart) 3. Doorslijpschijf of diamantschijf 4. Binnenflens (zilver) 5. Uitsteeksel (groter)

## Aansluiten op de watertoevoer

1. Bereid een waterslang voor.  
2. Verwijder de moer vanaf het koppelstuk en steek de waterslang door de moer. Steek het uiteinde van de slang in het koppelstuk en draai vervolgens de moer erop.

► **Fig.12:** 1. Waterslang 2. Moer van koppelstuk 3. Koppelstuk

3. Sluit de waterslang aan op de watertoevoer.

Als u aansluit op een kraan, gebruikt u een geschikte bevestigingsmethode, zoals een slangkleem of een kraanaansluiting.

► **Fig.13:** 1. Slangkleem 2. Kraanaansluiting 3. Waterslang

**OPMERKING:** De bevestigingsmethode is afhankelijk van de vorm van de kraan waaraan de slang wordt bevestigd. Bereid een geschikte, in de winkel verkrijgbare, bevestiging voor.

**OPMERKING:** Als u een kraanaansluiting gebruikt, bereidt u nog een koppelstuk voor en bevestigt u dit aan het andere uiteinde van de slang.

**OPMERKING:** Als u een waterpomp gebruikt, volgt u de instructies van de waterpomp om de waterslang aan te sluiten.

4. Duw het koppelstuk op de waterinlaat tot het wordt vergrendeld en een klikgeluid hoorbaar is.

► **Fig.14:** 1. Koppelstuk 2. Waterinlaat 3. Kraan

**KENNISGEVING:** Houd de kraan dicht tot u begint te slijpen met watertoevoer. Voor informatie over het toevoeren van water, raadpleegt u het tekstdeel over de bediening.

## BEDIENING

**⚠ LET OP:** Vergeet niet het deksel van het accuvak te vergrendelen voordat u het apparaat bedient.

**⚠ LET OP:** Zorg ervoor dat tijdens gebruik het werkstuk stevig omlaag gedrukt wordt op een stabiele werkbank of tafel.

**⚠ LET OP:** Verdraai en forceer het gereedschap niet in de sneede omdat daardoor de motor overbelast kan raken of het werkstuk kan breken.

## Slijpen

**⚠️ LET OP:** Houd tijdens gebruik het apparaat niet hoger dan schouderhoogte.

### ► Fig.15

Houd het gereedschap stevig vast. Pak het handvat met uw rechterhand vast en de handgreep met uw linkerhand. Om een elektrische schok als gevolg van het per ongeluk slijpen in een elektriciteitskabel te voorkomen, houdt u de handgreep altijd vast aan het daarvoor bedoelde deel, zoals aangegeven in de afbeelding.

### ► Fig.16: 1. Deel voor vasthouden

Houd het gereedschap plat en beweeg het soepel over het oppervlak van het werkstuk totdat het slijpen klaar is. Houd de slijplijn recht en houd uw voortgaande snelheid constant.

### ► Fig.17

**OPMERKING:** Wanneer de temperatuur van de accu laag is, werkt het gereedschap mogelijk niet op zijn volle vermogen. Gebruik in dat geval het gereedschap bijvoorbeeld enige tijd voor een lichte snede totdat de accu is opgewarmd tot de omgevingstemperatuur. Daarna kan het gereedschap op zijn volle vermogen werken.

**OPMERKING:** Als de slijpprestaties van de diamantschijf afnemen zuivert u de slijprand van de schijf met behulp van een oude, versleten, grofkorrelige slijpsteen van een tafelslijpmachine, of een cementblok. Zuiver de diamantschijf door licht op de buitenrand te drukken.

## In geval van watertoevoer tijdens het slijpen

**⚠️ LET OP:** Bij gebruik van een nat type diamantschijf, voert u tijdens het slijpen altijd water toe.

Sluit het gereedschap aan op de watertoevoer en draai de kraan in de richting van de pijl, zoals afgebeeld. Stel de stand van de kraan zodanig af dat een rustige waterstraal wordt verkregen.

### ► Fig.18: 1. Kraan

**⚠️ LET OP:** Houd tijdens het toevoeren van water de gereedschapshuis altijd lager dan het gereedschapshuis om te voorkomen dat water binnendringt in het mechanisme van het gereedschap. Als u dit niet doet, kan een elektrische schok worden veroorzaakt.

### ► Fig.19

## ONDERHOUD

**⚠️ LET OP:** Zorg altijd dat het gereedschap is uitgeschakeld en de accu ervan is verwijderd alvorens te beginnen met onderhoud of inspectie.

**KENNISGEVING:** Gebruik nooit benzine, wasbenzine, thinner, alcohol en dergelijke. Hierdoor kunnen verkleuring, vervormingen en barsten worden veroorzaakt.

Om de VEILIGHEID en BETROUWBAARHEID van het gereedschap te handhaven, dienen alle reparaties, onderhoud of afstellingen te worden uitgevoerd bij een erkend Makita-servicecentrum of de Makita-fabriek, en altijd met gebruik van Makita-ervangingsonderdelen.

## Het gereedschap reinigen

Verwijder na elk gebruik de accu en de schijf en verwijder vervolgens stof, vuil en metaaldeeltjes die zich in de beschermkap hebben opgehoopt. Reinig het gereedschapshuis door het stof en vuil eraf te vegen met een droge doek of een doek gedoopt in zeepwater en uitgewrongen. Gebruik een droge doek om vuil van de lens van de lamp af te vegen. Wees voorzichtig dat u de lens van de lamp niet bekrast omdat dan de verlichting minder wordt.

### ► Fig.20: 1. Beschermkap 2. Lens van de lamp

## De ventilatieopeningen reinigen

Reinig regelmatig de ventilatieopeningen en let goed op dat ze niet verstopt raken.

### ► Fig.21: 1. Luchtinlaatopening 2. Luchtuitlaatopening

## De V-riem vervangen

1. Verwijder de accu en de schijf.
2. Draai de inbusbouten los met behulp van de inbusleutel en verwijder daarna de afdekking.  
► Fig.22: 1. Inbusbout 2. Afdekking
3. Verdraai de V-riem met kracht zodat de binnenkant ervan omhoog wijst zoals aangegeven in de afbeelding, en draai tegelijkertijd de bout van de (grote) poelie rechtsonder met behulp van de pijpsleutel.

De V-riem komt uit de groef en van de poelie af terwijl u de bout draait.

### ► Fig.23: 1. V-riem 2. Poelie (groot) 3. Pijpsleutel

**KENNISGEVING:** Draai de bout met de pijpsleutel nooit linksom. Als u dit doet, wordt de bout losgedraaid van de poelie (groot) wat leidt tot slechte prestaties.

4. Leg de nieuwe V-riem om de poelie (klein). Leg het andere uiteinde van de V-riem rond de (grote) poelie zodat deze in een deel van de groeven van de poelie ligt. (U hoeft op dit moment nog niet de V-riem in alle groeven van de poelie te leggen.) Draai daarna de bout van de (grote) poelie rechtsonder met behulp van de pijpsleutel.

De V-riem valt in de groef van de poelie terwijl u de bout draait.

### ► Fig.24: 1. Poelie (klein) 2. Poelie (groot) 3. Pijpsleutel

Verzekert u ervan dat alle ribbels op het binnenoppervlak van de V-riem in de groeven van de poelies lopen. In alle groeven van de poelies moet een ribbel van de V-riem lopen. Als er een groef is waarin geen ribbel loopt, is de V-riem niet juist aangebracht.

### ► Fig.25: 1. Groef van de poelie 2. Ribbel van de V-riem

5. Plaats de afdekking op het gereedschap en draai de inbusbouten vast met behulp van een inbusleutel.  
► Fig.26: 1. Slang 2. Afdekking 3. Inbusbout

**KENNISGEVING:** Verzekert u ervan dat de slang voor de watertoevoer op de plaats ligt zoals aangegeven in de afbeelding voordat u de afdekking aanbrengt.

# PROBLEMEN OPLOSSEN

Alvorens u verzoekt om reparatie, kunt u zelf als volgt het probleem opsporen en oplossen. Als u met een probleem kampt dat in deze handleiding niet wordt beschreven, probeer dan niet het gereedschap te demonteren. Laat reparaties over aan een erkend Makita-servicecentrum, uitsluitend met gebruik van originele Makita-vervangingsonderdelen.

Probleemomschrijving	Waarschijnlijke oorzaak (storing)	Oplossing
Motor loopt niet.	De accu's zijn niet aangebracht.	Plaats twee accu's. Dit gereedschap werkt niet als één accu is aangebracht.
	Probleem met de accu (lage spanning).	Laad de accu op. Als het opladen geen verbetering brengt, vervangt u de accu door een nieuwe.
	De aandrijving werkt niet goed.	Vraag uw plaatselijke, erkende servicecentrum het gereedschap te repareren.
De motor stopt na kort te hebben gedraaid.	De accu is bijna leeg.	Laad de accu op. Als het opladen geen verbetering brengt, vervangt u de accu door een nieuwe.
	Oververhitting.	Stop het gebruik van het gereedschap en laat het afkoelen.
Het ronddraaien van de schijf versnelt niet goed, zelfs niet nadat het gereedschap 20 seconden onbelast heeft gedraaid.	De accu is niet goed aangebracht.	Breng de accu aan zoals beschreven in deze gebruiksaanwijzing.
	Het accuvermogen neemt af.	Laad de accu op. Als het opladen geen verbetering brengt, vervangt u de accu door een nieuwe.
	De V-riem slipt.	Vervang de V-riem door een nieuwe.
	De aandrijving werkt niet goed.	Vraag uw plaatselijke, erkende servicecentrum het gereedschap te repareren.
De schijf draait niet rond: ⇒ stop het gereedschap onmiddellijk!	De V-riem slipt.	Vervang de V-riem door een nieuwe.
	Een vreemd voorwerp zit vastgeklemd tussen de beschermkap en de schijf.	Verwijder de accu en verwijder het vreemde voorwerp.
	De aandrijving werkt niet goed.	Vraag uw plaatselijke, erkende servicecentrum het gereedschap te repareren.
Abnormale trillingen: ⇒ stop het gereedschap onmiddellijk!	De schijf is verkeerd aangebracht.	Breng de schijf aan zoals beschreven in deze handleiding. Draai de bout stevig vast om de schijf te bevestigen.
	De aandrijving werkt niet goed.	Vraag uw plaatselijke, erkende servicecentrum het gereedschap te repareren.
Het snijgarnituur en de motor kunnen niet stoppen: ⇒ Verwijder onmiddellijk de accu!	Elektrische of elektronische storing.	Verwijder de accu en vraag uw plaatselijk erkende servicecentrum het gereedschap te repareren.
Slechte slijpprestaties	Het is tijd om de schijf te vervangen.	Vervang de schijf door een nieuwe.
Water lekt uit de inlaat.	Het water lekt langs de O-ring.	Vraag uw plaatselijke erkende servicecentrum om reparatie.

## OPTIONELE ACCESSOIRES

**⚠ LET OP:** Deze accessoires of hulpstukken worden aanbevolen voor gebruik met het Makita gereedschap dat in deze gebruiksaanwijzing is beschreven. Bij gebruik van andere accessoires of hulpstukken bestaat het gevaar van persoonlijke letsel. Gebruik de accessoires of hulpstukken uitsluitend voor hun bestemde doel.

- Koppelstuk
- Flens 60, set (afhankelijk van het land)
- Pijpsleutel
- Inbussleutel
- Originele Makita accu's en acculaders

**OPMERKING:** Sommige items op de lijst kunnen zijn inbegrepen in de doos van het gereedschap als standaard toebehoren. Deze kunnen van land tot land verschillen.

Wenst u meer bijzonderheden over deze accessoires, neem dan contact op met het plaatselijke Makita-servicecentrum.

- Doorslijpschijf
- Diamantschijf
- V-riem

## ESPECIFICACIONES

Modelo:	DCE090
Diámetro del disco	230 mm
Grosor máx. del disco	3,0 mm
Profundidad máxima de corte	88 mm
Velocidad especificada	6.600 min <sup>-1</sup>
Tensión nominal	36 V CC
Presión máxima permitida del agua suministrada	5,0 bar
Longitud total	554 mm
Peso neto	5,6 - 6,3 kg

- Debido a nuestro continuado programa de investigación y desarrollo, las especificaciones aquí dadas están sujetas a cambios sin previo aviso.
- Las especificaciones pueden ser diferentes de país a país.
- El peso puede variar dependiendo del accesorio(s), incluyendo el cartucho de batería. La combinación menos pesada y la más pesada, de acuerdo con el procedimiento EPTA 01/2014, se muestran en la tabla.

### Cartucho de batería y cargador aplicables

Cartucho de batería	BL1815N / BL1820 / BL1820B / BL1830 / BL1830B / BL1840 / BL1840B / BL1850 / BL1850B / BL1860B
Cargador	DC18RC / DC18RD / DC18RE / DC18SD / DC18SE / DC18SF / DC18SH

- Algunos de los cartuchos de batería y cargadores indicados arriba puede que no estén disponibles dependiendo de su región de residencia.

**⚠ ADVERTENCIA:** Utilice solamente los cartuchos de batería y cargadores listados arriba. La utilización de cualquier otro cartucho de batería y cargador puede ocasionar heridas y/o un incendio.

### Uso previsto

La herramienta ha sido prevista para cortar materiales de metal con un disco de corte abrasivo y también materiales de mampostería con un disco de diamante.

### Ruido

El nivel de ruido A-ponderado típico determinado de acuerdo con la norma EN60745-2-22:

Nivel de presión sonora ( $L_{pA}$ ): 103 dB (A)

Nivel de potencia sonora ( $L_{WA}$ ): 114 dB (A)

Error (K): 3 dB (A)

**NOTA:** El valor (o los valores) de emisión de ruido declarado ha sido medido de acuerdo con un método de prueba estándar y se puede utilizar para comparar una herramienta con otra.

**NOTA:** El valor (o valores) de emisión de ruido declarado también se puede utilizar en una valoración preliminar de exposición.

**⚠️ ADVERTENCIA:** Póngase protectores para oídos.

**⚠️ ADVERTENCIA:** La emisión de ruido durante la utilización real de la herramienta eléctrica puede variar del valor (o los valores) de emisión declarado dependiendo de las formas en las que la herramienta sea utilizada, especialmente qué tipo de pieza de trabajo se procesa.

**⚠️ ADVERTENCIA:** Asegúrese de identificar medidas de seguridad para proteger al operario que estén basadas en una estimación de la exposición en las condiciones reales de utilización (teniendo en cuenta todas las partes del ciclo operativo como las veces cuando la herramienta está apagada y cuando está funcionando en vacío además del tiempo de gatillo).

## Vibración

Modo de trabajo: corte de hormigón

Mano izquierda		Mano derecha		Estándar aplicable
$a_{h,w}$ (m/s <sup>2</sup> )	Incertidumbre K (m/s <sup>2</sup> )	$a_{h,w}$ (m/s <sup>2</sup> )	Incertidumbre K (m/s <sup>2</sup> )	
5,9	1,5	4,0	1,5	EN60745-2-22

**NOTA:** El valor (o los valores) total de emisión de vibración declarado ha sido medido de acuerdo con un método de prueba estándar y se puede utilizar para comparar una herramienta con otra.

**NOTA:** El valor (o los valores) total de emisión de vibración declarado también se puede utilizar en una valoración preliminar de exposición.

**⚠️ ADVERTENCIA:** La emisión de vibración durante la utilización real de la herramienta eléctrica puede variar del valor (o los valores) de emisión declarado dependiendo de las formas en las que la herramienta sea utilizada, especialmente qué tipo de pieza de trabajo se procesa.

**⚠️ ADVERTENCIA:** Asegúrese de identificar medidas de seguridad para proteger al operario que estén basadas en una estimación de la exposición en las condiciones reales de utilización (teniendo en cuenta todas las partes del ciclo operativo como las veces cuando la herramienta está apagada y cuando está funcionando en vacío además del tiempo de gatillo).

## Declaración CE de conformidad

*Para países europeos solamente*

La declaración CE de conformidad está incluida como Anexo A de esta manual de instrucciones.

## ADVERTENCIAS DE SEGURIDAD

### Advertencias de seguridad para herramientas eléctricas en general

**⚠️ ADVERTENCIA:** Lea todas las advertencias de seguridad, instrucciones, ilustraciones y especificaciones provistas con esta herramienta eléctrica. Si no sigue todas las instrucciones indicadas abajo podrá resultar en una descarga eléctrica, un incendio y/o heridas graves.

### Guarde todas las advertencias e instrucciones para futuras referencias.

El término "herramienta eléctrica" en las advertencias se refiere a su herramienta eléctrica de funcionamiento con conexión a la red eléctrica (con cable) o herramienta eléctrica de funcionamiento a batería (sin cable).

## Advertencias de seguridad para el cortador inalámbrico

1. El protector provisto con la herramienta deberá estar colocado en la herramienta eléctrica firmemente y en la posición que ofrezca la máxima seguridad, de forma que hacia el operario quede la mínima parte de disco desprotegida. Colóquese usted y los curiosos alejados del plano de giro del disco giratorio. El protector ayuda a proteger al operario de fragmentos de disco roto y de un contacto accidental con el disco.
2. Utilice solamente discos reforzados aglomerados o de diamante con su herramienta eléctrica. Solamente porque un accesorio pueda ser instalado en su herramienta eléctrica, no quiere decir que su operación sea segura.
3. La velocidad especificada del accesorio deberá ser al menos igual que la velocidad máxima marcada en la herramienta eléctrica. Si los accesorios se utilizan a una velocidad más alta de la velocidad especificada pueden romperse y salir despedidos.
4. Los discos deberán ser utilizados solamente para aplicaciones recomendadas. Por ejemplo, no amole con el costado de un disco de cortar. Los discos de cortar abrasivos han sido previstos para amolado periférico, estos discos podrán desintegrarse si se les aplican fuerzas laterales.
5. Utilice siempre bridas de disco no dañadas que sean del tamaño correcto para el disco que ha seleccionado. Las bridas de disco correctas sujetan los discos de tal manera que reducen la posibilidad de que el disco se rompa.

6. **No utilice discos reforzados gastados de otras herramientas eléctricas más grandes.** Los discos previstos para una herramienta eléctrica más grande no son apropiados para la máxima velocidad de una herramienta más pequeña y pueden reventarla.
  7. **El diámetro exterior y el espesor de su accesorio deberán estar dentro de la capacidad nominal de su herramienta eléctrica.** Los accesorios de tamaño incorrecto no se pueden proteger ni controlar adecuadamente.
  8. **El tamaño del agujero para eje de los discos y bridas deberá encajar debidamente en el eje de la herramienta eléctrica.** Los discos y bridas con agujero para eje que no coincida con el eje de montaje de la herramienta eléctrica se desequilibrarán, vibrarán excesivamente y podrán ocasionar una pérdida de control.
  9. **No utilice discos dañados. Antes de cada utilización, inspeccione los discos para ver si están mellados o agrietados. Si deja caer la herramienta eléctrica o el disco, inspecciónelo por si está dañado o instale un disco que no esté dañado. Después de inspeccionar e instalar un disco, pónganse usted y los curiosos alejados del plano del disco giratorio y haga funcionar la herramienta a velocidad máxima en vacío durante un minuto.** Normalmente, los discos dañados se romperán durante este tiempo de prueba.
  10. **Póngase equipo de protección personal. En función de la aplicación, utilice pantalla facial, gafas de protección o gafas de seguridad. Según corresponda, póngase mascarilla contra el polvo, protectores auditivos, guantes y delantal de taller que puedan detener los pequeños fragmentos abrasivos o de pieza de trabajo que salgan despedidos.** La protección de los ojos deberá ser capaz de detener los restos que salen volando generados en las diferentes operaciones. La mascarilla contra el polvo o respirador deberá ser capaz de filtrar las partículas generadas en su operación. La exposición prolongada a ruido de alta intensidad podrá ocasionar pérdida auditiva.
  11. **Mantenga a los curiosos a una distancia segura alejados del área de trabajo. Cualquier persona que entre en el área de trabajo deberá utilizar equipo de protección personal.** Los fragmentos de la pieza de trabajo o de un disco roto pueden salir volando y ocasionar heridas más allá del área de operación inmediata.
  12. **Cuando realice una operación en la que el accesorio de corte pueda entrar en contacto con cableado oculto, sujete la herramienta eléctrica solamente por las superficies de aislamiento aisladas.** El contacto del accesorio de corte con un cable con corriente puede hacer que la corriente circule por las partes metálicas expuestas de la herramienta eléctrica y soltar una descarga eléctrica al operario.
  13. **No deje nunca la herramienta eléctrica hasta que el accesorio se haya detenido completamente.** El disco giratorio puede agarrarse en la superficie y tirar de la herramienta eléctrica dejándola fuera de control.
  14. **No tenga la herramienta eléctrica encendida mientras la lleva en su costado.** Un contacto accidental con el accesorio giratorio podrá enganchar sus ropas, y arrastrar el accesorio hacia su cuerpo.
  15. **Limpie regularmente los orificios de ventilación de la herramienta eléctrica.** El ventilador del motor atraerá el polvo al interior de la carcasa y una acumulación excesiva del polvo metálico puede ocasionar riesgos eléctricos.
  16. **No utilice la herramienta eléctrica cerca de materiales inflamables.** Las chispas pueden prender estos materiales.
- Retocesos bruscos y advertencias relacionadas**
- El retroceso brusco es la reacción repentina al aprisionamiento o estancamiento de un disco giratorio. El aprisionamiento o estancamiento ocasiona un detenimiento rápido del disco giratorio que a su vez hace que la herramienta eléctrica descontrolada sea forzada en dirección opuesta a la rotación del disco en el punto de bloqueo.
- Por ejemplo, si el disco abrasivo queda aprisionado o estancado por la pieza de trabajo, el borde del disco que está entrando en el punto de estancamiento puede hincarse en la superficie del material haciendo que el disco se salga de la hendidura o salte. El disco podrá saltar hacia el operario o en dirección contraria a él, dependiendo de la dirección del movimiento del disco en el punto de estancamiento. Los discos abrasivos también podrán romperse en estas condiciones.
- Los retrocesos bruscos se deben a un mal uso de la herramienta eléctrica y/o a procedimientos o condiciones de trabajo incorrectos y pueden evitarse tomando las precauciones indicadas a continuación.
1. **Mantenga la herramienta eléctrica empuñada firmemente y posicione su cuerpo y brazo de forma que pueda resistir las fuerzas del retroceso brusco. Utilice siempre el mango auxiliar, si está provisto, para tener el máximo control sobre el retroceso brusco o reacción de torsión durante la puesta en marcha.** El operario puede controlar las reacciones de torsión o fuerzas de retroceso brusco, si toma las precauciones apropiadas.
  2. **No ponga nunca su mano cerca del accesorio girando.** El accesorio puede retroceder bruscamente sobre su mano.
  3. **No ponga su cuerpo en línea con el disco giratorio.** El retroceso brusco propulsará la herramienta en dirección opuesta al movimiento del disco en el punto de enganche.
  4. **Tenga cuidado especial cuando trabaje en esquinas, bordes cortantes, etc. Evite que el accesorio rebote o se enganche.** Las esquinas, bordes cortantes o los rebotes tienen la tendencia a enganchar el accesorio giratorio y ocasionar la pérdida de control o retroceso brusco.
  5. **No coloque una cadena de sierra, un disco de tallar madera o un disco de diamante segmentado con una holgura periférica mayor de 10 mm ni un disco de sierra dentado.** Tales discos crean retrocesos bruscos y pérdida de control frecuentes.



6. **No “atasque” el disco ni ejerza presión excesiva. No intente hacer un corte de excesiva profundidad.** Si fatiga en exceso el disco, aumentará la carga y la susceptibilidad de retorcerse o estancarse en el corte y existirá la posibilidad de que se produzca un retroceso brusco o la rotura del disco.
7. **Cuando el disco esté estancándose o cuando quiera interrumpir un corte por cualquier razón, apague la herramienta eléctrica y sujétela sin moverla hasta que el disco se haya detenido completamente. No intente nunca sacar el disco del corte estando el disco moviéndose porque podrá producirse un retroceso brusco.** Investigue y tome medidas correctivas para eliminar la causa del estancamiento del disco.
8. **No reinicie la operación de corte en la pieza de trabajo. Deje que el disco alcance plena velocidad y vuelva a entrar en el corte cuidadosamente.** Si vuelve a poner en marcha la herramienta eléctrica en la pieza de trabajo, el disco podrá estancarse, saltar o retroceder bruscamente.
9. **Sujete los paneles o cualquier pieza de trabajo demasiado grande para minimizar el riesgo de que el disco se estanque o retroceda bruscamente.** Las piezas de trabajo grandes tienden a combarse con su propio peso. Deberá poner apoyos debajo de la pieza de trabajo cerca de la línea de corte y cerca del borde de la pieza de trabajo en ambos lados del disco.
10. **Extreme las precauciones cuando haga un “corte de cavidad” en paredes u otras áreas ciegas.** La parte saliente del disco podrá cortar tuberías de gas o agua, cables eléctricos u objetos que pueden ocasionar un retroceso brusco.

#### Advertencias de seguridad adicionales:

1. **Antes de utilizar un disco de diamante segmentado, asegúrese de que el disco de diamante tiene una holgura periférica entre los segmentos de 10 mm o menos, solamente con un ángulo de corte negativo.**
2. **No intente nunca cortar con la herramienta sujeta al revés en un tornillo de banco. Esto podrá acarrear accidentes graves, porque es muy peligroso.**
3. **Algunos materiales contienen sustancias químicas que podrán ser tóxicas. Tenga precaución para evitar la inhalación de polvo y el contacto con la piel. Siga los datos de seguridad del abastecedor del material.**
4. **Almacene los discos siguiendo las recomendaciones del fabricante. Un almacenamiento inadecuado puede dañar los discos.**
5. **Utilice siempre discos apropiados para su trabajo y el material que va a cortar.**
6. **Examine el material que va a cortar antes de cortar.** Si el material contiene sustancias explosivas o inflamables, podrá ocasionar una explosión o un incendio.
7. **No encienda la herramienta si hay un objeto extraño atascado entre el protector de disco y el disco.** En este caso, desinstale el cartucho de batería y retire el objeto extraño.

8. **Utilice mordazas o medios similares para sostener la pieza de trabajo siempre que sea posible.**
9. **Póngase siempre protección para oídos durante la operación.**
10. **No corte materiales de madera con esta herramienta.**

## GUARDE ESTAS INSTRUCCIONES.

**⚠️ ADVERTENCIA:** NO deje que la comodidad o familiaridad con el producto (a base de utilizarlo repetidamente) sustituya la estricta observancia de las normas de seguridad para el producto en cuestión. El MAL USO o el no seguir las normas de seguridad establecidas en este manual de instrucciones podrá ocasionar graves heridas personales.

### Instrucciones de seguridad importantes para el cartucho de batería

1. **Antes de utilizar el cartucho de batería, lea todas las instrucciones e indicaciones de precaución sobre (1) el cargador de baterías, (2) la batería, y (3) el producto con el que se utiliza la batería.**
2. **No desensamble ni manipule el cartucho de batería.** Podrá resultar en un incendio, calor excesivo, o una explosión.
3. **Si el tiempo de uso se acorta demasiado, cese la operación inmediatamente. Podría resultar en un riesgo de recalentamiento, posibles quemaduras e incluso una explosión.**
4. **Si entra electrólito en sus ojos, aclárelos con agua limpia y acuda a un médico inmediatamente. Existe el riesgo de poder perder la vista.**
5. **No cortocircuite el cartucho de batería:**
  - (1) **No toque los terminales con ningún material conductor.**
  - (2) **Evite guardar el cartucho de batería en un cajón junto con otros objetos metálicos, como clavos, monedas, etc.**
  - (3) **No exponga el cartucho de batería al agua ni a la lluvia.**

Un cortocircuito en la batería puede producir una gran circulación de corriente, un recalentamiento, posibles quemaduras e incluso una rotura de la misma.
6. **No guarde ni utilice la herramienta y el cartucho de batería en lugares donde la temperatura pueda alcanzar o exceder los 50 °C.**
7. **Nunca incinere el cartucho de batería incluso en el caso de que esté dañado seriamente o ya no sirva en absoluto. El cartucho de batería puede explotar si se tira al fuego.**
8. **No clave, corte, aplaste, lance, deje caer el cartucho de batería, ni golpee contra un objeto duro el cartucho de batería.** Tal conducta podrá resultar en un incendio, calor excesivo, o una explosión.

9. **No utilice una batería dañada.**
10. **Las baterías de litio-ion contenidas están sujetas a los requisitos de la Legislación para Materiales Peligrosos.**  
Para transportes comerciales, p.ej., por terceras personas y agentes de transportes, se deberán observar requisitos especiales para el empaquetado y etiquetado.  
Para la preparación del artículo que se va a enviar, se requiere consultar con un experto en materiales peligrosos. Por favor, observe también la posibilidad de reglamentos nacionales más detallados.  
Cubra con cinta aislante o enmascare los contactos expuestos y empaquete la batería de tal manera que no se pueda mover alrededor dentro del embalaje.
11. **Para desechar el cartucho de batería, retírelo de la herramienta y deséchelo en un lugar seguro. Siga los reglamentos locales referentes al desecho de la batería.**
12. **Utilice las baterías solamente con los productos especificados por Makita.** La instalación de las baterías en productos no compatibles puede resultar en un incendio, calor excesivo, explosión, o fuga de electrolito.
13. **Si la herramienta no va a ser utilizada durante un periodo de tiempo largo, la batería deberá ser retirada de la herramienta.**
14. **Durante y después de la utilización, el cartucho de batería podrá acumular calor, lo cual puede ocasionar quemaduras o quemaduras de baja temperatura. Preste atención al manejo de cartuchos de batería calientes.**
15. **No toque el terminal de la herramienta inmediatamente después de utilizar, dado que puede calentarse lo suficiente como para ocasionar quemaduras.**
16. **No permita que virutas, polvo, o tierra se adhieran dentro de los terminales, orificios, y ranuras del cartucho de batería.** Podría resultar en un mal rendimiento o rotura de la herramienta o el cartucho de batería.
17. **A menos que la herramienta pueda utilizarse cerca de cables eléctricos de alta tensión, no utilice el cartucho de batería cerca de cables eléctricos de alta tensión.** Podrá resultar en un mal funcionamiento o rotura de la herramienta o el cartucho de batería.
18. **Mantenga la batería alejada de los niños.**

## GUARDE ESTAS INSTRUCCIONES.

**⚠PRECAUCIÓN:** Utilice solamente baterías genuinas de Makita. La utilización de baterías no genuinas de Makita, o baterías que han sido alteradas, puede resultar en una explosión de la batería ocasionando incendios, heridas personales y daños. También anulará la garantía de Makita para la herramienta y el cargador de Makita.

## Consejos para alargar al máximo la vida de servicio de la batería

1. **Cargue el cartucho de batería antes de que se descargue completamente. Detenga siempre la operación y cargue el cartucho de batería cuando note menos potencia en la herramienta.**
2. **No cargue nunca un cartucho de batería que esté completamente cargado. La sobrecarga acortará la vida de servicio de la batería.**
3. **Cargue el cartucho de batería a temperatura ambiente de 10 °C - 40 °C. Si un cartucho de batería está caliente, déjelo enfriar antes de cargarlo.**
4. **Cuando no esté utilizando el cartucho de batería, retírelo de la herramienta o del cargador.**
5. **Cargue el cartucho de batería si no lo utiliza durante un periodo de tiempo prolongado (más de seis meses).**

## DESCRIPCIÓN DE LAS PARTES

► Fig.1

1	Disco de corte abrasivo / disco de diamante	2	Protector de disco	3	Empuñadura	4	Cubierta (para compartimiento de batería)
5	Botón de desbloqueo	6	Gancho	7	Lámpara	8	Botón de comprobación
9	Indicador de batería	10	Indicador de sobrecarga	11	Botón de la lámpara	12	Gatillo interruptor
13	Mango	14	Toma de agua	15	Llave de paso	16	Cubierta (para correa en V)
17	Botón de bloqueo del eje	18	Manguito de acoplamiento	19	Llave de tubo	20	Llave hexagonal

# DESCRIPCIÓN DEL FUNCIONAMIENTO

**⚠ PRECAUCIÓN:** Asegúrese siempre de que la herramienta esté apagada y el cartucho de batería retirado antes de realizar cualquier ajuste o comprobación en la herramienta.

## Instalación o extracción del cartucho de batería

**⚠ PRECAUCIÓN:** Apague siempre la herramienta antes de instalar o retirar el cartucho de batería.

**⚠ PRECAUCIÓN:** Sujete la herramienta y el cartucho de batería firmemente cuando instale o retire el cartucho de batería. Si no sujeta la herramienta y el cartucho de batería firmemente podrán caérsele de las manos y resultar en daños a la herramienta y al cartucho de batería y heridas personales.

Para instalar el cartucho de batería, abra la cubierta mientras libera el gancho. Alinee la lengüeta del cartucho de batería con la acanaladura en el alojamiento y deslícelo al interior hasta encajarlo en su sitio. Insértelo a fondo hasta que se bloquee en su sitio con un leve chasquido. Si puede ver el indicador rojo en la parte superior del botón, no estará bloqueado completamente. Después de instalar o desmontar los cartuchos de batería, asegúrese de que la cubierta está cerrada y bloqueada con el gancho.

► **Fig.2:** 1. Cubierta 2. Gancho

Para retirar los cartuchos de batería, levante el cartucho de batería mientras presiona el botón de la parte frontal del cartucho.

► **Fig.3:** 1. Indicador rojo 2. Botón 3. Cartucho de batería

**⚠ PRECAUCIÓN:** Instale siempre el cartucho de batería completamente hasta que no pueda verse el indicador rojo. En caso contrario, podrá caerse accidentalmente de la herramienta y ocasionarle heridas a usted o a alguien que esté cerca de usted.

**⚠ PRECAUCIÓN:** No instale el cartucho de batería empleando fuerza. Si el cartucho no se desliza al interior fácilmente, será porque no está siendo insertado correctamente.


















**NOTA:** La herramienta no funciona con un cartucho de batería solamente.

## Modo de indicar la capacidad de batería restante

**Solamente para cartuchos de batería con el indicador**

► **Fig.4:** 1. Lámparas indicadoras 2. Botón de comprobación

Presione el botón de comprobación en el cartucho de batería para indicar la capacidad de batería restante. Las lámparas indicadoras se iluminan durante unos pocos segundos.

Lámparas indicadoras			Capacidad restante
 Iluminada	 Apagada	 Parpadeando	
			75% a 100%
			50% a 75%
			25% a 50%
			0% a 25%
			Cargue la batería.
			Puede que la batería no esté funcionando bien.
			








**NOTA:** Dependiendo de las condiciones de utilización y de la temperatura ambiente, la indicación podrá variar ligeramente de la capacidad real.

**NOTA:** La primera lámpara indicadora (extremo izquierdo) parpadeará cuando el sistema de protección de la batería esté funcionando.

## Modo de indicar la capacidad de batería restante

► **Fig.5:** 1. Indicador de batería 2. Botón de comprobación

Presione el botón de comprobación para indicar las capacidades de batería restantes. Los indicadores de batería corresponden a cada batería.

Estado del indicador de batería			Capacidad de batería restante
 Encendido	 Apagado	 Parpadeando	
			50% a 100%
			20% a 50%
			0% a 20%
			Cargue la batería

## Sistema de protección de la herramienta / batería

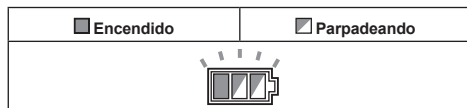
La herramienta está equipada con un sistema de protección de la herramienta/batería. Este sistema corta automáticamente la alimentación del motor para alargar la vida útil de la herramienta y la batería. La herramienta se detendrá automáticamente durante la operación si la herramienta o la batería es puesta en una de las condiciones siguientes. En algunas condiciones, los indicadores se iluminan.

### Protección contra sobrecarga

Cuando la herramienta/batería sea operada de una manera que le haga absorber una corriente anormalmente alta, la herramienta se detendrá automáticamente. En esta situación, apague la herramienta y detenga la tarea que ocasiona la sobrecarga de la herramienta. Después encienda la herramienta para volver a empezar.

### Protección contra el recalentamiento

Cuando la herramienta se recalienta, se detiene automáticamente, y el indicador de batería parpadea unos 60 segundos. En esta situación, deje que la herramienta se enfríe antes de encenderla otra vez.



### Protección contra descarga excesiva

Cuando la capacidad de la batería sea baja, la herramienta se detendrá automáticamente. Si el producto no funciona aun cuando los interruptores sean accionados, retire las baterías de la herramienta y cárguelas.

### Alerta de sobrecarga

Si la herramienta es operada con demasiada carga, el indicador de sobrecarga parpadeará en rojo. En esta situación, reduzca la carga de la herramienta. Después, el indicador dejará de parpadear.

► Fig.6: 1. Indicador de sobrecarga

### Accionamiento del interruptor

**⚠ ADVERTENCIA:** Antes de insertar el cartucho de batería en la herramienta, compruebe siempre para asegurarse de que el gatillo interruptor se acciona debidamente y que vuelve a la posición "OFF" cuando lo suelta.

**⚠ ADVERTENCIA:** No anule NUNCA la función del botón de desbloqueo sujetándolo con cinta adhesiva o alguna otra manera. Un interruptor con un botón de desbloqueo anulado puede resultar en una puesta en marcha involuntaria y heridas personales graves.

**⚠ ADVERTENCIA:** No utilice NUNCA la herramienta si se pone en marcha cuando usted simplemente aprieta el gatillo interruptor sin presionar el botón de desbloqueo. Un interruptor con necesidad de reparación puede resultar en una puesta en marcha involuntaria y heridas personales graves. Lleve la herramienta a un centro de servicio Makita para que le hagan las reparaciones apropiadas ANTES de seguir utilizándola.

Para evitar que el gatillo interruptor pueda accionarse accidentalmente, se ha provisto un botón de desbloqueo. Para poner en marcha la herramienta, presione hacia dentro el botón de desbloqueo y apriete el gatillo interruptor. Suelte el gatillo interruptor para parar.

► Fig.7: 1. Gatillo interruptor 2. Botón de desbloqueo

**AVISO:** No apriete con fuerza el gatillo interruptor sin presionar hacia dentro el botón de desbloqueo. Podría ocasionar la rotura del interruptor.

### Encendido de la lámpara

**⚠ PRECAUCIÓN:** No mire a la luz ni vea la fuente de luz directamente.

Para encender la lámpara, presione el botón de la lámpara. Para apagar, presione el botón de la lámpara otra vez.

► Fig.8: 1. Botón de la lámpara 2. Lámpara

**NOTA:** La lámpara se apagará automáticamente si no se realiza ninguna operación con la herramienta durante un minuto.

## MONTAJE

**⚠ PRECAUCIÓN:** Asegúrese siempre de que la herramienta está apagada y el cartucho de batería retirado antes de realizar cualquier trabajo en la herramienta.

### Instalación o desmontaje del disco de corte abrasivo / disco de diamante

**⚠ PRECAUCIÓN:** Utilice solamente la llave Makita para instalar o desmontar el disco.

**⚠ PRECAUCIÓN:** Cuando instale el disco, asegúrese de apretar el perno firmemente.

**⚠ PRECAUCIÓN:** No presione el botón de bloqueo del eje cuando el disco esté girando.

Para retirar el disco, presione el botón de bloqueo del eje y gire el disco hasta que no pueda girar. Mientras el bloqueo del eje está bloqueado completamente, gire el perno hexagonal hacia la izquierda utilizando la llave de tubo. Después retire el perno hexagonal, la brida exterior y el disco.

► Fig.9: 1. Botón de bloqueo del eje 2. Llave de tubo 3. Apretar 4. Aflojar

► Fig.10: 1. Perno hexagonal 2. Brida exterior (negra) 3. Disco de corte abrasivo / disco de diamante 4. Brida interior (plateada) 5. Flecha (dirección de giro del disco)

Para instalar el disco, siga el procedimiento de desmontaje a la inversa.

**ASEGÚRESE DE APRETAR EL PERNO HEXAGONAL FIRMEMENTE.**

**⚠PRECAUCIÓN:** Instale siempre el disco de forma que la flecha en ella apunte en la misma dirección que la flecha en el protector de disco. De lo contrario el disco girará hacia atrás y podrá ocasionar heridas personales.

**⚠PRECAUCIÓN:** Utilice solamente el disco que tenga marcada una velocidad igual o mayor que la velocidad marcada en la herramienta.

**NOTA:** Si retira una brida interior por casualidad, instale la brida interior de forma que el saliente más alto esté orientado hacia el lado de la herramienta como se muestra en la figura.

- **Fig.11:** 1. Perno hexagonal 2. Brida exterior (negra) 3. Disco de corte abrasivo / disco de diamante 4. Brida interior (plateada) 5. Saliente (más alto)

## Conexión del suministro de agua

1. Prepare una manguera de agua.
2. Retire la tuerca del manguito de acoplamiento y pase la manguera de agua a través de la tuerca. Inserte el extremo de la manguera en el manguito de acoplamiento y después apriete la tuerca.

► **Fig.12:** 1. Manguera de agua 2. Tuerca del manguito de acoplamiento 3. Manguito de acoplamiento

3. Conecte la manguera de agua al suministro de agua.

Cuando conecte a un grifo de agua, utilice un aditamento apropiado tal como una abrazadera para manguera o un acoplador de toma de agua.

► **Fig.13:** 1. Abrazadera para manguera 2. Acoplador de toma de agua 3. Manguera de agua

**NOTA:** El aditamento dependerá de la forma del grifo al que conecte. Prepare un aditamento apropiado de venta en el comercio.

**NOTA:** Si utiliza un acoplador de toma de agua, prepare otro manguito de acoplamiento y colóquelo en el otro extremo de la manguera.

**NOTA:** Cuando utilice una bomba de agua, siga las instrucciones de la bomba de agua para conectar la manguera de agua.

4. Empuje el manguito de acoplamiento contra la toma de agua hasta que se bloquee con un chasquido.

► **Fig.14:** 1. Manguito de acoplamiento 2. Toma de agua 3. Llave de paso

**AVISO:** Mantenga la llave de paso cerrada hasta que comience la operación de corte con suministro de agua. Para ver cómo suministrar agua, consulte la sección para la operación.

## OPERACIÓN

**⚠PRECAUCIÓN:** Asegúrese de bloquear la cubierta para compartimiento de batería antes de la operación.

**⚠PRECAUCIÓN:** Asegúrese de sujetar la pieza de trabajo firmemente en un banco de trabajo o mesa estable durante la operación.

**⚠PRECAUCIÓN:** No retuerza o fuerce la herramienta en el corte, porque el motor podrá sobrecargarse o la pieza de trabajo romperse.

### Para cortar

**⚠PRECAUCIÓN:** Durante la operación, no levante la herramienta a una altura mayor que la altura de su hombro.

► **Fig.15**

Sujete la herramienta firmemente. Agarre el mango con su mano derecha y la empuñadura con su mano izquierda. Para evitar una descarga eléctrica debido al corte accidental de un cable eléctrico, sujete siempre la empuñadura por la parte designada como se muestra en la figura.

► **Fig.16:** 1. Parte por donde sujetar

Mueva la herramienta sobre la superficie de la pieza de trabajo, manteniéndola plana y avanzando suavemente hasta completar el corte. Mantenga la línea de corte recta y la velocidad de avance uniforme.

► **Fig.17**

**NOTA:** Cuando la temperatura del cartucho de batería sea baja, la herramienta podrá no rendir a toda su capacidad. Llegado este momento, utilice la herramienta durante un rato para hacer cortes ligeros hasta que el cartucho de batería alcance la temperatura ambiente. Después, la herramienta puede rendir a toda su capacidad.

**NOTA:** Si la acción de corte del disco de diamante empieza a disminuir, reacondicione el borde de corte del disco utilizando una muela de rectificar de grano grueso vieja o un bloque de hormigón. Reacondicione presionando ligeramente sobre el borde exterior del disco de diamante.

### Cuando suministre agua durante el corte

**⚠PRECAUCIÓN:** Cuando utilice un disco de diamante de tipo húmedo, suministre siempre agua durante el corte.

Conecte la herramienta al suministro de agua y gire la llave de paso en la dirección de la flecha como se muestra en la ilustración. Ajuste la posición de la llave de paso para obtener un flujo de agua moderado.

► **Fig.18:** 1. Llave de paso

**⚠PRECAUCIÓN:** Cuando suministre agua, mantenga siempre el cabezal de la herramienta más bajo que el cuerpo de la herramienta para evitar que entre agua en el mecanismo de la herramienta. En caso contrario podrá ocasionar una descarga eléctrica.

► **Fig.19**

# MANTENIMIENTO

**⚠ PRECAUCIÓN:** Asegúrese siempre de que la herramienta está apagada y de que el cartucho de batería está retirado antes de intentar hacer una inspección o mantenimiento.

**AVISO:** No utilice nunca gasolina, bencina, disolvente, alcohol o similares. Podría producir descoloración, deformación o grietas.

Para mantener la SEGURIDAD y FIABILIDAD del producto, las reparaciones, y cualquier otra tarea de mantenimiento o ajuste deberán ser realizadas en centros de servicio o de fábrica autorizados por Makita, empleando siempre repuestos Makita.

## Limpeza de la herramienta

Después de cada utilización, retire el cartucho de batería y el disco y después limpie el polvo, la suciedad o las virutas de metal acumuladas dentro del protector de disco. Limpie el cuerpo de la herramienta quitando el polvo y la suciedad con un paño seco o uno sumergido en agua jabonosa y escurrido. Utilice un paño seco para quitar la suciedad de la lente de la lámpara. Tenga cuidado de no rayar la lente de la lámpara, porque podrá disminuir la iluminación.

► **Fig.20:** 1. Protector de disco 2. Lente de la lámpara

## Limpeza de las aberturas de ventilación

Limpie las aberturas de ventilación de la herramienta regularmente o siempre que comiencen a estar obstruidas.

► **Fig.21:** 1. Abertura de entrada de aire 2. Abertura de salida de aire

## Cambio de la correa en V

1. Retire el cartucho de batería y el disco.  
2. Afloje los pernos de cabeza hueca hexagonal utilizando la llave hexagonal y después retire la cubierta.

► **Fig.22:** 1. Perno de cabeza hueca hexagonal  
2. Cubierta

3. Mientras retuerce con fuerza la correa en V de manera que su cara interior quede orientada hacia arriba como se muestra en la figura, gire el perno de la polea (grande) hacia la derecha utilizando la llave de tubo.

La correa en V se desviará de la trayectoria y se soltará a medida que gire el perno.

► **Fig.23:** 1. Correa en V 2. Polea (grande) 3. Llave de tubo

**AVISO:** No gire nunca la llave de tubo hacia la izquierda. Si lo hace, el perno de la polea (grande) se aflojará y resultará en un mal rendimiento.

4. Enganche la correa en V nueva en la polea (pequeña). Ponga el otro extremo de la correa en V sobre la polea (grande) de manera que quede enganchada parcialmente en el riel del frente de la polea. (En este momento no tiene que enganchar la correa en V en todos los rieles de la polea). Después de eso, gire el perno de la polea (grande) hacia la derecha utilizando la llave de tubo.

La correa en V se pondrá en la trayectoria a medida que gire el perno.

► **Fig.24:** 1. Polea (pequeña) 2. Polea (grande)  
3. Llave de tubo

Asegúrese de que todas las guías del círculo interno de la correa en V encajan en los rieles de las poleas. Todos los rieles de la polea deben sostener las guías de la correa en V. Si hay un riel que no sostiene la guía, la correa en V no estará instalada correctamente.

► **Fig.25:** 1. Riel de la polea 2. Guía de la correa en V

5. Coloque la cubierta sobre la herramienta y apriete los pernos de cabeza hueca hexagonal utilizando la llave hexagonal.

► **Fig.26:** 1. Tubo 2. Cubierta 3. Perno de cabeza hueca hexagonal

**AVISO:** Asegúrese de que el tubo para suministro de agua está en las posiciones que se muestran en la figura antes de colocar la cubierta.

# SOLUCIÓN DE PROBLEMAS

Antes de solicitar reparaciones, realice su propia inspección en primer lugar. Si encuentra un problema que no está explicado en el manual, no intente desmontar la herramienta. En su lugar, pregunte en los centros de servicio autorizados Makita, utilizando siempre piezas de recambio Makita para las reparaciones.

Estado de anomalía	Causa probable (mal funcionamiento)	Remedio
El motor no se pone en marcha.	No hay cartuchos de batería instalados.	Instale dos cartuchos de batería. Esta herramienta no funciona con solo un cartucho de batería.
	Problema de batería (poca tensión)	Recargue la batería. Si la recarga no se realiza efectivamente, reemplace el cartucho de batería.
	El sistema de accionamiento no funciona correctamente.	Pida a su centro de servicio autorizado local que le hagan la reparación.
El motor se para después de usarlo un poco.	El nivel de carga de la batería es bajo.	Recargue la batería. Si la recarga no se realiza efectivamente, reemplace el cartucho de batería.
	Recalentamiento.	Deje de utilizar la herramienta para permitir que se enfríe.
El giro del disco no se acelera debidamente incluso después de hacer funcionar la herramienta sin carga durante 20 segundos.	La batería está instalada incorrectamente.	Instale el cartucho de batería como se describe en este manual.
	La potencia de la batería está cayendo.	Recargue el cartucho de batería. Si la recarga no se realiza efectivamente, reemplace el cartucho de batería.
	La correa en V está resbalando.	Reemplace la correa en V con una nueva.
	El sistema de accionamiento no funciona correctamente.	Pida a su centro de servicio autorizado local que le hagan la reparación.
El disco no gira: ⇒ ¡detenga la máquina inmediatamente!	La correa en V está resbalando.	Reemplace la correa en V con una nueva.
	Se ha atascado un objeto extraño entre el protector y el disco.	Desinstale el cartucho de batería y después retire el objeto extraño.
	El sistema de accionamiento no funciona correctamente.	Pida a su centro de servicio autorizado local que le hagan la reparación.
Vibración anormal: ⇒ ¡detenga la máquina inmediatamente!	Colocación incorrecta del disco.	Instale el disco como se indica en este manual. Apriete el perno para sujetar el disco firmemente.
	El sistema de accionamiento no funciona correctamente.	Pida a su centro de servicio autorizado local que le hagan la reparación.
El implemento de corte y el motor no se pueden detener: ⇒ ¡Retire el cartucho de batería inmediatamente!	Mal funcionamiento eléctrico o electrónico.	Retire el cartucho de batería y pida al centro de servicio autorizado local que le hagan la reparación.
Mal rendimiento de corte	Ha llegado el momento de reemplazar el disco.	Reemplace el disco con una nueva.
Fugas de agua por la entrada.	El agua se está fugando por la parte de la junta tórica.	Pida a su centro de servicio autorizado local que le hagan la reparación.

## ACCESORIOS OPCIONALES

**⚠PRECAUCIÓN:** Estos accesorios o aditamentos están recomendados para su uso con la herramienta Makita especificada en este manual. El uso de cualquier otro accesorio o aditamento puede suponer un riesgo de heridas personales. Utilice el accesorio o aditamento solamente con la finalidad indicada para el mismo.

Si necesita cualquier ayuda para más detalles en relación con estos accesorios, pregunte al centro de servicio Makita local.

- Disco de corte abrasivo
- Disco de diamante

- Correa en V
- Manguito de acoplamiento
- Juego de brida de 60 (específico para cada país)
- Llave de tubo
- Llave hexagonal
- Batería y cargador genuinos de Makita

**NOTA:** Algunos elementos de la lista podrán estar incluidos en el paquete de la herramienta como accesorios estándar. Pueden variar de un país a otro.

## ESPECIFICAÇÕES

Modelo:	DCE090
Diâmetro do disco	230 mm
Espessura máx. do disco	3,0 mm
Profundidade máx. de corte	88 mm
Velocidade nominal	6.600 min <sup>-1</sup>
Tensão nominal	C.C. 36 V
Pressão máx. permitida da água de alimentação	5,0 bar
Comprimento geral	554 mm
Peso líquido	5,6 - 6,3 kg

- Devido a um programa contínuo de pesquisa e desenvolvimento, estas especificações estão sujeitas a alteração sem aviso prévio.
- As especificações podem variar de país para país.
- O peso poderá diferir em função do acessório(s), incluindo a bateria. A combinação mais leve e mais pesada, de acordo com o Procedimento EPTA 01/2014, é apresentada na tabela.

### Bateria e carregador aplicável

Bateria	BL1815N / BL1820 / BL1820B / BL1830 / BL1830B / BL1840 / BL1840B / BL1850 / BL1850B / BL1860B
Carregador	DC18RC / DC18RD / DC18RE / DC18SD / DC18SE / DC18SF / DC18SH

- Algumas das baterias e carregadores listados acima poderão não estar disponíveis, dependendo da sua região de residência.

**⚠AVISO:** Utilize apenas as baterias e carregadores listados acima. A utilização de quaisquer outras baterias e carregadores pode causar ferimentos e/ou um incêndio.

### Utilização a que se destina

A ferramenta foi concebida para o corte de materiais metálicos com um disco de corte abrasivo e também de materiais de alvenaria com um disco diamantado.

### Ruído

A característica do nível de ruído A determinado de acordo com a EN60745-2-22:

Nível de pressão acústica ( $L_{pA}$ ): 103 dB (A)

Nível de potência acústica ( $L_{WA}$ ): 114 dB (A)

Variabilidade (K): 3 dB (A)

**NOTA:** O(s) valor(es) da emissão de ruído indicado(s) foi medido de acordo com um método de teste padrão e pode ser utilizado para comparar duas ferramentas.

**NOTA:** O(s) valor(es) da emissão de ruído indicado(s) pode também ser utilizado na avaliação preliminar da exposição.

**⚠AVISO:** Utilize protetores auriculares.

**⚠AVISO:** A emissão de ruído durante a utilização real da ferramenta elétrica pode diferir do(s) valor(es) indicado(s), dependendo das formas como a ferramenta é utilizada, especialmente o tipo de peça de trabalho que é processada.

**⚠AVISO:** Certifique-se de identificar as medidas de segurança para proteção do operador que sejam baseadas em uma estimativa de exposição em condições reais de utilização (considerando todas as partes do ciclo de operação, tal como quando a ferramenta está desligada e quando está a funcionar em marcha lenta além do tempo de acionamento).



# Vibração

Modo de trabalho: corte de betão

Mão esquerda		Mão direita		Padrão aplicável
$a_{h,w}$ (m/s <sup>2</sup> )	K de incerteza (m/s <sup>2</sup> )	$a_{h,w}$ (m/s <sup>2</sup> )	K de incerteza (m/s <sup>2</sup> )	
5,9	1,5	4,0	1,5	EN60745-2-22

**NOTA:** O(s) valor(es) total(ais) de vibração indicado(s) foi medido de acordo com um método de teste padrão e pode ser utilizado para comparar duas ferramentas.

**NOTA:** O(s) valor(es) total(ais) de vibração indicado(s) pode também ser utilizado na avaliação preliminar da exposição.

**⚠️ AVISO:** A emissão de vibração durante a utilização real da ferramenta elétrica pode diferir do(s) valor(es) indicado(s), dependendo das formas como a ferramenta é utilizada, especialmente o tipo de peça de trabalho que é processada.

**⚠️ AVISO:** Certifique-se de identificar as medidas de segurança para proteção do operador que sejam baseadas em uma estimativa de exposição em condições reais de utilização (considerando todas as partes do ciclo de operação, tal como quando a ferramenta está desligada e quando está a funcionar em marcha lenta além do tempo de acionamento).

## Declaração de conformidade da CE

*Apenas para os países europeus*

A declaração de conformidade da CE está incluída como Anexo A neste manual de instruções.

## AVISOS DE SEGURANÇA

### Avisos gerais de segurança para ferramentas elétricas

**⚠️ AVISO:** Leia todos os avisos de segurança, instruções, ilustrações e especificações fornecidos com esta ferramenta elétrica. O não cumprimento de todas as instruções indicadas em baixo pode resultar em choque elétrico, incêndio e/ou ferimentos graves.

### Guarde todos os avisos e instruções para futuras referências.

O termo "ferramenta elétrica" nos avisos refere-se às ferramentas elétricas ligadas à corrente elétrica (com cabo) ou às ferramentas elétricas operadas por meio de bateria (sem cabo).

### Avisos de segurança para a cortadora a bateria

1. A proteção fornecida com a ferramenta deve ser colocada firmemente na ferramenta elétrica e posicionada para segurança máxima, para que o mínimo de disco fique exposto em direção ao operador. Posicione-se a si e às pessoas presentes longe do plano do disco rotativo. A proteção ajuda a proteger o operador de fragmentos de disco partido e do contacto accidental com o disco.
2. Utilize apenas discos de corte unidos reforçados ou diamantados na ferramenta elétrica. O facto de um acessório poder ser instalado na ferramenta elétrica não garante um funcionamento com segurança.
3. A velocidade nominal do acessório deve ser, pelo menos, igual à velocidade máxima marcada na ferramenta elétrica. Os acessórios que funcionam mais rápido do que a velocidade nominal podem partir-se e ser arremessados.
4. Os discos devem ser usados somente para as aplicações recomendadas. Por exemplo: não triture com a parte lateral do disco de corte. Os discos de corte abrasivos servem para trituração periférica, as forças laterais aplicadas a estes discos podem fazer com que eles se estilhacem.
5. Utilize sempre flanges de disco não danificadas de diâmetro correto para o disco selecionado. As flanges apropriadas apoiam o disco, reduzindo a possibilidade de quebra do mesmo.
6. Não utilize discos reforçados desgastados de ferramentas elétricas maiores. Os discos concebidos para ferramentas elétricas maiores não são apropriados para a velocidade mais elevada de uma ferramenta menor e podem rebentar.
7. O diâmetro externo e a espessura do acessório devem estar dentro da classificação da capacidade da ferramenta elétrica. Não é possível proteger ou controlar adequadamente acessórios de tamanho incorreto.
8. O tamanho do orifício de encaixe dos discos e flanges deve ser adequado ao veio da ferramenta elétrica. Os discos e flanges com orifícios de encaixe que não correspondem ao hardware de montagem da ferramenta elétrica ficam desequilibrados, vibram excessivamente e podem causar a perda de controlo.
9. Não utilize discos danificados. Antes de cada utilização, examine os discos a fim de verificar se há fissuras e rachaduras. Se a ferramenta elétrica ou o disco cair, verifique se o disco está danificado ou instale um disco novo. Depois de inspecionar e instalar o disco, certifique-se de que os espetadores, bem como você mesmo, ficam afastados da área do disco rotativo e faça funcionar a ferramenta elétrica em vazio, à velocidade máxima, durante um minuto. Normalmente, os discos danificados partem-se durante este teste.

10. **Utilize equipamento de proteção pessoal.** Utilize um protetor facial, óculos de segurança ou protetores oculares, conforme a aplicação. Conforme adequado, utilize uma máscara contra o pó, protetores auriculares, luvas e avental capazes de resguardar contra particuladas abrasivas ou estilhaços da peça de trabalho. O protetor ocular deve ter capacidade para resguardar contra detritos arremessados produzidos durante as várias operações. A máscara contra o pó ou de respiração deve ter capacidade para filtrar as particuladas geradas durante a operação. A exposição prolongada a ruídos de alta intensidade pode causar a perda de audição.
11. **Mantenha os espetadores afastados da área de trabalho, a uma distância segura. Todas as pessoas que entram na área de trabalho devem utilizar equipamentos de proteção pessoal.** Os fragmentos da peça de trabalho ou de um disco partido podem ser atirados para além da área imediata da operação e causar ferimentos.
12. **Agarre na ferramenta elétrica somente pelas superfícies das pegas isoladoras quando executar uma operação em que o acessório de corte possa entrar em contacto com fios ocultos.** O contacto do acessório de corte com um fio com corrente pode carregar as partes metálicas expostas da ferramenta elétrica e causar um choque elétrico no operador.
13. **Nunca pouse a ferramenta elétrica antes de o acessório parar completamente.** O disco em rotação pode prender na superfície e puxar a ferramenta elétrica, causando a perda de controlo.
14. **Não faça a ferramenta elétrica funcionar enquanto a carrega ao seu lado.** O contacto accidental com o acessório em rotação pode prender a sua roupa e puxar o acessório na direção do seu corpo.
15. **Limpe regularmente os orifícios de ventilação da ferramenta elétrica.** A ventoinha do motor atrai o pó para dentro da caixa e a acumulação excessiva de metal pulverizado pode causar choque elétrico.
16. **Não utilize a ferramenta elétrica perto de materiais inflamáveis.** As faíscas podem incendiar esses materiais.

#### **Avisos sobre recuos e outros avisos relacionados**

O recuo é uma reação repentina a um disco rotativo que fica bloqueado ou encravado. O bloqueio ou encravamento causa a paragem imediata do disco rotativo que, por sua vez, faz com que a ferramenta elétrica fora de controlo seja forçada na direção oposta à da rotação do disco, no momento que fica preso.

Por exemplo, se um disco abrasivo ficar encravado ou bloqueado na peça de trabalho, a borda do disco que está a entrar no ponto onde bloqueou pode entrar na superfície do material fazendo com que o disco salte ou provoque um contragolpe. O disco pode pular na direção do operador ou na direção oposta, dependendo do sentido do movimento do disco no ponto onde ficou preso. Os discos abrasivos também podem partir nessas condições.

O recuo é o resultado da utilização imprópria da ferramenta elétrica e/ou de procedimentos ou condições de funcionamento incorretos e pode ser evitado tomando-se as medidas de precaução adequadas, como indicado abaixo.

1. **Segure a ferramenta elétrica com firmeza e posicione-se de tal forma que o seu corpo e braço lhe permitam resistir à força do recuo.** Utilize sempre a pega auxiliar, se fornecida, para um controlo máximo do recuo ou da reação do binário durante o arranque. O operador pode controlar as reações do binário ou as forças do recuo se tomar as precauções necessárias.
2. **Nunca coloque a sua mão próxima do acessório rotativo.** O acessório pode recuar sobre a sua mão.
3. **Não posicione o seu corpo alinhado com o disco rotativo.** O recuo impulsionará a ferramenta na direção oposta à do movimento do disco no ponto onde fica preso.
4. **Tenha todo o cuidado quando trabalhar cantos, extremidades aguçadas, etc.** Evite balouçar e bater no acessório. Os cantos, as extremidades aguçadas ou os ressalto tendem a prender o acessório rotativo e causar perda de controlo ou recuo.
5. **Não coloque uma corrente de serra, um lâmina para esculpir madeira, um disco diamantado segmentado com um intervalo periférico superior a 10 mm ou uma lâmina de serra dentada.** Estas lâminas criam recuos frequentes e perda de controlo.
6. **Não bloqueie o disco nem exerça pressão excessiva. Não tente efetuar um corte muito profundo.** Sujeitar o disco a esforço excessivo aumenta a carga e a suscetibilidade de torção ou encravamento do disco no corte e a possibilidade de recuo ou quebra do disco.
7. **Se o disco ficar preso ou se interromper o corte por qualquer motivo, desligue a ferramenta elétrica e segure-a imóvel até o disco parar completamente. Nunca tente retirar o disco do corte enquanto ainda estiver em rotação, caso contrário poderá ocorrer um recuo.** Verifique e tome as medidas corretivas para eliminar a causa do encravamento do disco.
8. **Não reinicie a operação de corte na peça de trabalho. Aguarde até que o disco atinja a velocidade máxima e coloque-o cuidadosamente no corte.** O disco pode encravar, saltar ou recuar se ligar a ferramenta elétrica quando ela estiver em contacto com a peça de trabalho.
9. **Apoie painéis ou peças de trabalho muito grandes para minimizar o risco do disco prender e causar um recuo.** As peças de trabalho grandes tendem a ceder sob o seu próprio peso. Os apoios devem ser colocados debaixo da peça de trabalho, perto da linha de corte e da borda da peça de trabalho, nos dois lados do disco.
10. **Tenha cuidado especialmente ao fazer um “corte penetrante” em paredes ou outras áreas desconhecidas.** O disco exposto pode cortar canos de gás ou de água, cablagens elétricas ou outros objetos que podem causar recuo.

#### **Avisos de segurança adicionais:**

1. **Antes de utilizar um disco diamantado segmentado, certifique-se de que o disco diamantado tem um intervalo periférico entre segmentos de 10 mm ou menos, apenas com um ângulo de inclinação negativo.**
2. **Nunca tente cortar com a ferramenta virada ao contrário num torno. Isso pode provocar acidentes graves, porque é extremamente perigoso.**

3. **Algun material contém químicos que podem ser tóxicos. Tenha cuidado para evitar a inalação de pó e o contacto com a pele. Siga a ficha de dados de segurança do fornecedor do material.**
4. **Armazene os discos de acordo com as recomendações do fabricante. Um armazenamento inadequado pode danificar os discos.**
5. **Utilize sempre o disco adequado para o seu trabalho e para o material a cortar.**
6. **Examine o material a cortar antes de efetuar o corte. Se o material contiver substâncias explosivas ou inflamáveis, pode causar uma explosão ou um incêndio.**
7. **Não ligue a ferramenta se um objeto estranho estiver encaixado entre o resguardo e o disco. Neste caso, desinstale a bateria e remova o objeto estranho.**
8. **Utilize braçadeiras ou objetos similares para suportar a peça de trabalho sempre que possível.**
9. **Utilize sempre proteção auditiva durante a operação.**
10. **Não corte materiais de madeira com esta ferramenta.**
6. **Não guarde nem utilize a ferramenta e a bateria em locais onde a temperatura pode atingir ou exceder 50 °C.**
7. **Não queime a bateria mesmo que esteja estragada ou completamente gasta. A bateria pode explodir no fogo.**
8. **Não pregue, corte, esmague, atire, deixe cair a bateria, nem bata a bateria contra um objeto rijo. Esta conduta pode resultar num incêndio, em calor excessivo ou numa explosão.**
9. **Não utilize uma bateria danificada.**
10. **As baterias de íões de lítio contidas na ferramenta são sujeitas aos requisitos da DGL (Dangerous Goods Legislation - Legislação de bens perigosos).**  
Para o transporte comercial, por exemplo, por terceiros ou agentes de expedição, têm de ser observados os requisitos referentes à embalagem e etiquetagem.  
Para preparação do artigo a ser expedido, é necessário consultar um perito em materiais perigosos. Tenha ainda em conta a possibilidade de existirem regulamentos nacionais mais detalhados. Coloque fita-cola ou tape os contactos abertos e embale a bateria de tal forma que não possa mover-se dentro da embalagem.

## GUARDE ESTAS INSTRUÇÕES.

**⚠️ AVISO:** NÃO permita que o conforto ou familiaridade com o produto (adquirido com o uso repetido) substitua o cumprimento estrito das regras de segurança da ferramenta. A **MÁ INTERPRETAÇÃO** ou o não seguimento das regras de segurança estabelecidas neste manual de instruções pode provocar ferimentos pessoais graves.

### Instruções de segurança importantes para a bateria

1. **Antes de utilizar a bateria, leia todas as instruções e etiquetas de precaução no (1) carregador de bateria (2) bateria e (3) produto que utiliza a bateria.**
2. **Não desmonte ou manipule a bateria. Pode resultar num incêndio, em calor excessivo ou numa explosão.**
3. **Se o tempo de funcionamento se tornar excessivamente curto, pare o funcionamento imediatamente. Pode resultar em sobreaquecimento, possíveis queimaduras e mesmo explosão.**
4. **Se entrar eletrólito nos seus olhos, lave-os com água e consulte imediatamente um médico. Pode resultar em perda de visão.**
5. **Não coloque a bateria em curto-circuito:**
  - (1) **Não toque nos terminais com qualquer material condutor.**
  - (2) **Evite guardar a bateria juntamente com outros objetos metálicos tais como pregos, moedas, etc.**
  - (3) **Não exponha a bateria à água ou chuva. Um curto-circuito pode ocasionar um enorme fluxo de corrente, sobreaquecimento, possíveis queimaduras e mesmo estragar-se.**
11. **Quando eliminar a bateria, remova-a da ferramenta e elimine-a num local seguro. Siga os regulamentos locais relacionados com a eliminação de baterias.**
12. **Utilize as baterias apenas com os produtos especificados pela Makita. Instalar as baterias em produtos não-conformes poderá resultar num incêndio, calor excessivo, explosão ou fuga de eletrólito.**
13. **Se a ferramenta não for utilizada durante um período de tempo prolongado, a bateria deve ser removida da ferramenta.**
14. **Durante e após a utilização, a bateria pode aquecer, o que pode provocar queimaduras ou queimaduras a baixa temperatura. Preste atenção ao manuseamento de baterias quentes.**
15. **Não toque no terminal da ferramenta imediatamente após a utilização, pois pode ficar suficientemente quente para provocar queimaduras.**
16. **Não permita a adesão de aparas, pó ou sujidade nos terminais, nos orifícios e nas ranhuras da bateria. Pode resultar no fraco desempenho ou na avaria da ferramenta ou bateria.**
17. **A menos que a ferramenta suporte a utilização perto de linhas elétricas de alta tensão, não utilize a bateria perto de linhas elétricas de alta tensão. Pode resultar no mau funcionamento ou na avaria da ferramenta ou bateria.**
18. **Mantenha a bateria afastada das crianças.**

## GUARDE ESTAS INSTRUÇÕES.

**⚠️ PRECAUÇÃO:** Utilize apenas baterias genuínas da Makita. A utilização de baterias não genuínas da Makita ou de baterias que foram alteradas, pode resultar no rebentamento da bateria provocando incêndios, ferimentos pessoais e danos. Além disso, anulará da garantia da Makita no que se refere à ferramenta e ao carregador Makita.

## Conselhos para manter a máxima vida útil da bateria

1. Carregue a bateria antes que esteja completamente descarregada. Pare sempre o funcionamento da ferramenta e carregue a bateria quando notar menos poder na ferramenta.
2. Nunca carregue uma bateria completamente carregada. Carregamento excessivo diminui a vida útil da bateria.

3. Carregue a bateria à temperatura ambiente de 10°C – 40°C. Deixe que uma bateria quente arrefeça antes de a carregar.
4. Quando não utilizar a bateria, remova-a da ferramenta ou do carregador.
5. Carregue a bateria se não a utilizar durante um longo período de tempo (mais de seis meses).

## DESCRIÇÃO DAS PEÇAS

► Fig.1

1	Disco de corte abrasivo/ disco diamantado	2	Resguardo do disco	3	Punho	4	Tampa (do compartimento da bateria)
5	Botão de desbloqueio	6	Gancho	7	Lâmpada	8	Botão de verificação
9	Indicador da bateria	10	Indicador de sobrecarga	11	Botão da lâmpada	12	Gatilho do interruptor
13	Pega	14	Entrada de água	15	Torneira	16	Tampa (da correia trapezoidal)
17	Botão de bloqueio do eixo	18	Manga de acoplamento	19	Chave de caixa	20	Chave hexagonal

## DESCRIÇÃO FUNCIONAL

**⚠PRECAUÇÃO:** Certifique-se sempre de que a ferramenta está desligada e a bateria foi retirada antes de regular ou verificar qualquer função na ferramenta.

### Instalação ou remoção da bateria

**⚠PRECAUÇÃO:** Desligue sempre a ferramenta antes de colocar ou retirar a bateria.

**⚠PRECAUÇÃO:** Segure firmemente a ferramenta e a bateria quando instalar ou remover a bateria. Se não segurar firmemente a ferramenta e a bateria pode fazer com que escorreguem das suas mãos resultando em danos na ferramenta e na bateria e ferimentos pessoais.

Para instalar a bateria, abra a tampa enquanto solta o gancho. Alinhe a lingueta na bateria com a ranhura no compartimento e deslize-a para a posição correta. Insira-a completamente até bloquear na posição correta com um pequeno clique. Se conseguir ver o indicador vermelho no lado superior do botão, esta não está completamente bloqueada.

Após instalar ou remover as baterias, certifique-se de que a tampa está fechada e bloqueada pelo gancho.

► Fig.2: 1. Tampa 2. Gancho

Para remover as baterias, eleve a bateria enquanto pressiona o botão na parte frontal da bateria.

► Fig.3: 1. Indicador vermelho 2. Botão 3. Bateria

**⚠PRECAUÇÃO:** Instale sempre a bateria até ao fim, até deixar de ver o indicador vermelho. Caso contrário, a bateria poderá cair da ferramenta acidentalmente e provocar ferimentos em si mesmo ou em alguém próximo.

**⚠PRECAUÇÃO:** Não instale a bateria à força. Se a bateria não deslizar facilmente é porque não foi colocada corretamente.

**NOTA:** A ferramenta não funciona apenas com uma bateria.

### Indicação da capacidade restante da bateria

**Apenas para baterias com indicador**

► Fig.4: 1. Luzes indicadoras 2. Botão de verificação

Prima o botão de verificação na bateria para indicar a capacidade restante da bateria. As luzes indicadoras acendem durante alguns segundos.

Luzes indicadoras			Capacidade restante
Aceso	Apagado	A piscar	
■	□	▧	75% a 100%
■ ■ ■ ■			
■ ■ ■ ■	□		50% a 75%
■ ■ ■ ■	□ □		25% a 50%
■ ■ ■ ■	□ □ □ □		0% a 25%
▧	□ □ □ □		Carregar a bateria.
■ ■ ■ ■	□ □ □ □		A bateria pode estar avariada.
□ □ □ □	■ ■ ■ ■	↑ ↓	








**NOTA:** Dependendo das condições de utilização e da temperatura ambiente, a indicação pode ser ligeiramente diferente da capacidade real.

**NOTA:** A primeira luz indicadora (extremo esquerdo) pisca quando o sistema de proteção da bateria funciona.

## Indicação da capacidade restante da bateria

► **Fig.5:** 1. Indicador da bateria 2. Botão de verificação

Prima o botão de verificação para indicar a capacidade restante das baterias. Os indicadores da bateria correspondem a cada bateria.

Estado dos indicadores da bateria			Capacidade restante da bateria
 Aceso	 Apagado	 A piscar	
			50% a 100%
			20% a 50%
			0% a 20%
			Carregar a bateria

## Sistema de proteção da ferramenta/bateria

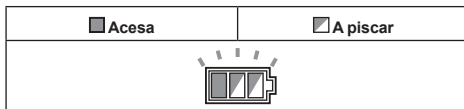
A ferramenta está equipada com um sistema de proteção da ferramenta/bateria. Este sistema corta automaticamente a corrente ao motor para prolongar a vida útil da ferramenta e da bateria. A ferramenta para automaticamente durante o funcionamento se a ferramenta ou a bateria se encontrarem numa das seguintes condições. Nalgumas condições, a luz indicadora acende.

### Proteção contra sobrecarga

Quando a ferramenta/bateria é utilizada de forma a causar a absorção anormalmente elevada de corrente, a ferramenta para automaticamente. Nesta situação, desligue a ferramenta e pare a aplicação que causou a sobrecarga da ferramenta. Em seguida, ligue a ferramenta para reiniciar.

### Proteção contra sobreaquecimento

Quando a ferramenta estiver sobreaquecida, a ferramenta para automaticamente e o indicador da bateria pisca cerca de 60 segundos. Nesta situação, deixe a ferramenta arrefecer antes de ligar novamente a ferramenta.



### Proteção contra descarga excessiva

Quando a capacidade da bateria é baixa, a ferramenta para automaticamente. Se o produto não funcionar mesmo quando os interruptores são acionados, retire as baterias da ferramenta e carregue-as.

### Alerta de sobrecarga

Se a ferramenta for operada com carga excessiva, o indicador de sobrecarga pisca a vermelho. Nesta situação, reduza a carga na ferramenta. Em seguida, o indicador deixa de piscar.

► **Fig.6:** 1. Indicador de sobrecarga

### Ação do interruptor

**⚠️ AVISO:** Antes de colocar a bateria na ferramenta, verifique sempre se o gatilho do interruptor funciona corretamente e volta para a posição “OFF” quando libertado.

**⚠️ AVISO:** NUNCA anule a função do botão de desbloqueio dando-lhe uma pancada ou por qualquer outro meio. Um gatilho com um botão de desbloqueio a funcionar inadequadamente pode resultar em funcionamento não intencional e em ferimentos pessoais graves.

**⚠️ AVISO:** NUNCA utilize a ferramenta se ela funcionar quando puxa simplesmente o gatilho sem ter de premir o botão de desbloqueio. Um interruptor que necessita de reparação pode resultar em funcionamento acidental e em ferimentos pessoais graves. Entregue a ferramenta num centro de assistência Makita para receber as reparações adequadas ANTES de voltar a utilizá-la.

Para evitar que o gatilho seja puxado acidentalmente, a ferramenta está equipada com um botão de desbloqueio. Para efetuar o arranque da ferramenta, pressione o botão de desbloqueio e puxe o gatilho do interruptor. Solte o gatilho do interruptor para parar.

► **Fig.7:** 1. Gatilho do interruptor 2. Botão de desbloqueio

**OBSERVAÇÃO:** Não puxe o gatilho com força sem premir o botão de desbloqueio. Isto pode provocar a quebra do gatilho.

## Acender a lâmpada

**⚠️ PRECAUÇÃO:** Não olhe para a luz ou para a fonte de iluminação diretamente.

Para ligar a lâmpada, pressione o botão da lâmpada. Para desligar, pressione novamente o botão da lâmpada.

► **Fig. 8:** 1. Botão da lâmpada 2. Lâmpada

**NOTA:** A lâmpada desliga automaticamente se não for efetuada qualquer operação com a ferramenta durante um minuto.

## MONTAGEM

**⚠️ PRECAUÇÃO:** Certifique-se sempre de que a ferramenta está desligada e a bateria retirada antes de executar qualquer trabalho na ferramenta.

### Instalar ou remover o disco de corte abrasivo/disco diamantado

**⚠️ PRECAUÇÃO:** Utilize apenas a chave Makita para instalar ou remover o disco.

**⚠️ PRECAUÇÃO:** Quando instalar o disco, certifique-se de que aperta o perno firmemente.

**⚠️ PRECAUÇÃO:** Não pressione o botão de bloqueio do eixo quando o disco estiver a rodar.

Para remover o disco, pressione o botão de bloqueio do eixo e rode o disco até este não conseguir rodar. Enquanto o bloqueio do eixo estiver totalmente bloqueado, rode o perno hexagonal para a esquerda com a chave de caixa. Em seguida, remova o perno hexagonal, a flange exterior e o disco.

► **Fig. 9:** 1. Botão de bloqueio do eixo 2. Chave de caixa 3. Apertar 4. Soltar

► **Fig. 10:** 1. Perno hexagonal 2. Flange exterior (preta) 3. Disco de corte abrasivo/disco diamantado 4. Flange interior (prateada) 5. Seta (sentido de rotação do disco)

Para instalar o disco, siga o procedimento de remoção pela ordem inversa.

**CERTIFIQUE-SE DE QUE APERTA FIRMEMENTE O PERNO HEXAGONAL.**

**⚠️ PRECAUÇÃO:** Instale sempre o disco de forma que a seta no mesmo fique a apontar na mesma direção que a seta no resguardo do disco. Caso contrário, o disco gira no sentido inverso e pode provocar ferimentos pessoais.

**⚠️ PRECAUÇÃO:** Utilize apenas o disco marcado com uma velocidade igual ou superior à velocidade marcada na ferramenta.

**NOTA:** Se, por acaso, for removida uma flange interior, instale a flange interior de forma que a saliência mais alta fique virada para o lado da ferramenta conforme apresentado na figura.

► **Fig. 11:** 1. Perno hexagonal 2. Flange exterior (preta) 3. Disco de corte abrasivo/disco diamantado 4. Flange interior (prateada) 5. Saliência (mais alta)

## Ligar ao abastecimento de água

1. Prepare uma mangueira de água.
2. Remova a porca na manga de acoplamento e passe a mangueira de água através da porca. Insira a extremidade da mangueira na manga de acoplamento e, em seguida, aperte a porca.  
► **Fig. 12:** 1. Mangueira de água 2. Porca da manga de acoplamento 3. Manga de acoplamento

3. Ligue a mangueira de água ao abastecimento de água. Quando ligar a uma torneira de água, utilize um acessório adequado como uma tira de mangueira ou uma junta da torneira de água.

► **Fig. 13:** 1. Tira de mangueira 2. Junta da torneira de água 3. Mangueira de água

**NOTA:** O acessório depende da forma da torneira à qual estabelece ligação. Prepare um acessório comercializado adequado.

**NOTA:** Se utilizar uma junta da torneira de água, prepare outra manga de acoplamento e prenda-a na outra extremidade da mangueira.

**NOTA:** Quando utilizar uma bomba de água, siga as instruções da bomba de água para ligar a mangueira de água.

4. Empurre a manga de acoplamento para a entrada de água até bloquear com um clique.

► **Fig. 14:** 1. Manga de acoplamento 2. Entrada de água 3. Torneira

**OBSERVAÇÃO:** Mantenha a torneira fechada até dar início à operação de corte com alimentação de água. Para saber como abastecer água, consulte a secção relativa à operação.

## OPERAÇÃO

**⚠️ PRECAUÇÃO:** Certifique-se de que bloqueia a tampa do compartimento da bateria antes da operação.

**⚠️ PRECAUÇÃO:** Certifique-se de que segura firmemente a peça de trabalho sobre uma bancada ou mesa estável durante a operação.

**⚠️ PRECAUÇÃO:** Não gire nem force a ferramenta dentro do corte, caso contrário, o motor pode ficar sobrecarregado ou a peça de trabalho pode partir-se.

### Cortar

**⚠️ PRECAUÇÃO:** Durante a operação, não coloque a ferramenta a uma altura superior à altura do ombro.

► **Fig. 15**

Segure firmemente a ferramenta. Segure a pega com a mão direita e o punho com a mão esquerda. Para evitar um choque elétrico provocado pelo corte accidental de um cabo elétrico, segure sempre o punho pela parte designada conforme apresentado na figura.

► **Fig. 16:** 1. Parte a segurar

Mova a ferramenta sobre a superfície da peça de trabalho, mantendo-a plana e avançando suavemente até o corte estar concluído. Mantenha a linha de corte reta e a velocidade de avanço uniforme.

► Fig.17

**NOTA:** Quando a temperatura da bateria está baixa, a ferramenta pode não funcionar com a sua capacidade total. Nesta altura, por exemplo, utilize a ferramenta para cortes leves durante algum tempo, até a bateria aquecer até atingir a temperatura ambiente. Depois disso, a ferramenta pode funcionar com a sua capacidade total.

**NOTA:** Se a ação de corte do disco diamantado começar a diminuir, afie a extremidade de corte do disco com um disco de amolar de bancada de areia grosseiro e usado ou com um bloco de betão. Afie pressionando ligeiramente a extremidade exterior do disco diamantado.

## Quando abastecer água durante o corte

**⚠PRECAUÇÃO:** Quando utilizar um disco diamantado do tipo molhado, abasteça sempre água durante o corte.

Ligue a ferramenta ao abastecimento de água e rode a torneira na direção da seta conforme ilustrado. Ajuste a posição da torneira para obter um fluxo de água suave.

► Fig.18: 1. Torneira

**⚠PRECAUÇÃO:** Quando abastecer água, mantenha sempre a cabeça da ferramenta a uma altura inferior ao corpo da ferramenta para evitar a entrada de água no mecanismo da ferramenta. A inobservância desta instrução pode causar um choque elétrico.

► Fig.19

## MANUTENÇÃO

**⚠PRECAUÇÃO:** Certifique-se sempre de que a ferramenta se encontra desligada e de que a bateria foi retirada antes de executar qualquer inspeção ou manutenção.

**OBSERVAÇÃO:** Nunca utilize gasolina, benzina, diluente, álcool ou produtos semelhantes. Pode ocorrer a descoloração, deformação ou rachaduras.

Para manter a SEGURANÇA e a FIABILIDADE do produto, as reparações e qualquer outra manutenção ou ajuste devem ser levados a cabo pelos centros de assistência Makita autorizados ou pelos centros de assistência de fábrica, utilizando sempre peças de substituição Makita.

## Limpar a ferramenta

Após cada utilização, remova a bateria e o disco e, em seguida, limpe o pó, a sujidade ou as aparas de metal acumulados no interior do resguardo do disco. Limpe o corpo da ferramenta, limpando o pó e a sujidade com um pano seco ou um pano embebido em água com sabão e torcido. Utilize um pano seco para limpar a sujidade da lente da lâmpada. Tenha cuidado para não riscar a lente da lâmpada ou a iluminação pode ficar enfraquecida.

► Fig.20: 1. Resguardo do disco 2. Lente da lâmpada

## Limpar o orifício de ventilação

Limpe regularmente os orifícios de ventilação da ferramenta ou sempre que os orifícios comecem a ficar obstruídos.

► Fig.21: 1. Ventilador de inalação 2. Ventilador de exaustão

## Mudar a correia trapezoidal

1. Remova a bateria e o disco.
2. Solte os pernos de encaixe hexagonal com a chave hexagonal e, em seguida, remova a tampa.  
► Fig.22: 1. Perno de encaixe hexagonal 2. Tampa
3. Enquanto torce firmemente a correia trapezoidal de modo que o respetivo lado interior fique voltado para cima conforme apresentado na figura, rode o perno na polia (grande) para a direita com a chave de caixa.

A correia trapezoidal desvia-se do curso e solta-se à medida que roda o perno.

► Fig.23: 1. Correia trapezoidal 2. Polia (grande) 3. Chave de caixa

**OBSERVAÇÃO:** Nunca rode a chave de caixa para a esquerda. Ao fazê-lo, solta o perno na polia (grande) e dá origem a um mau desempenho.

4. Enganche a nova correia trapezoidal na polia (pequena). Coloque a outra extremidade da correia trapezoidal na polia (grande) de modo que fique parcialmente enganchada na calha dianteira da polia. (Não tem de enganchar a correia trapezoidal em todas as calhas na polia nesta fase.) Depois disso, rode o perno na polia (grande) para a direita com a chave de caixa.

A correia trapezoidal volta ao curso à medida que roda o perno.

► Fig.24: 1. Polia (pequena) 2. Polia (grande) 3. Chave de caixa

Certifique-se de que todas as guias no círculo interno da correia trapezoidal encaixam nas calhas nas polias. Todas as calhas na polia têm de suportar as guias na correia trapezoidal. Se existir uma calha que não suporte a guia, a correia trapezoidal não está corretamente instalada.

► Fig.25: 1. Calha na polia 2. Guia na correia trapezoidal

5. Coloque a tampa na ferramenta e aperte os pernos de encaixe hexagonal com a chave hexagonal.

► Fig.26: 1. Tubo 2. Tampa 3. Perno de encaixe hexagonal

**OBSERVAÇÃO:** Certifique-se de que o tubo de alimentação de água está na posição conforme apresentado na figura antes de prender a tampa.

# RESOLUÇÃO DE PROBLEMAS

Antes de pedir uma reparação, realize primeiro a sua própria inspeção. Se encontrar um problema que não esteja explicado no manual, não tente desmontar a ferramenta. Em vez disso, peça as reparações nos centros de assistência técnica autorizados da Makita, usando sempre peças de substituição da Makita.

Estado da anomalia	Causa provável (avaria)	Correção
O motor não funciona.	As baterias não estão instaladas.	Instale duas baterias. Esta ferramenta não funciona com uma bateria.
	Problema com a bateria (baixa tensão)	Recarregue a bateria. Se recarregar a bateria não solucionar o problema, substitua a bateria.
	O sistema de acionamento não funciona corretamente.	Peça a reparação no centro de assistência autorizado local.
O motor para de funcionar após pouco uso.	O nível de carga da bateria está baixo.	Recarregue a bateria. Se recarregar a bateria não solucionar o problema, substitua a bateria.
	Sobreaquecimento.	Pare a utilização da ferramenta para que ela possa arrefecer.
A rotação do disco não acelera corretamente mesmo após operar a ferramenta sem carga durante 20 segundos.	A bateria está mal instalada.	Instale a bateria como descrito neste manual.
	A potência da bateria está a baixar.	Recarregue a bateria. Se recarregar a bateria não solucionar o problema, substitua a bateria.
	A correia trapezoidal está a deslizar.	Substitua a correia trapezoidal por uma nova.
	O sistema de acionamento não funciona corretamente.	Peça a reparação no centro de assistência autorizado local.
O disco não roda: ⇒ pare a máquina imediatamente!	A correia trapezoidal está a deslizar.	Substitua a correia trapezoidal por uma nova.
	Um objeto estranho está encravado entre o resguardo e o disco.	Desinstale a bateria e, em seguida, remova o objeto estranho.
	O sistema de acionamento não funciona corretamente.	Peça a reparação no centro de assistência autorizado local.
Vibração anormal: ⇒ pare a máquina imediatamente!	Fixação inadequada do disco.	Instale o disco conforme indicado neste manual. Aperte o perno para fixar o disco firmemente.
	O sistema de acionamento não funciona corretamente.	Peça a reparação no centro de assistência autorizado local.
A ferramenta de corte e o motor não param: ⇒ Remova imediatamente a bateria!	Falha de funcionamento elétrica ou eletrónica.	Remova a bateria e solicite a reparação no centro de assistência autorizado local.
Mau desempenho de corte	Está na altura de substituir o disco.	Substitua o disco por um novo.
Fugas de água da entrada.	Há uma fuga de água da peça de anel em O.	Solicite a reparação no centro de assistência autorizado local.

## ACESSÓRIOS OPCIONAIS

**⚠PRECAUÇÃO:** Estes acessórios ou peças são recomendados para utilização com a ferramenta Makita especificada neste manual. A utilização de outros acessórios ou peças pode ser perigosa para as pessoas. Utilize apenas acessórios ou peças para os fins indicados.

Se necessitar de informações adicionais relativas a estes acessórios, solicite-as ao seu centro de assistência Makita.

- Disco de corte abrasivo
- Disco diamantado
- Correia trapezoidal
- Manga de acoplamento
- Conjunto de flanges 60 (específico do país)

- Chave de caixa
- Chave hexagonal
- Bateria e carregador genuínos da Makita

**NOTA:** Alguns itens da lista podem estar incluídos na embalagem da ferramenta como acessórios padrão. Eles podem variar de país para país.



## SPECIFIKATIONER

Model:	DCE090
Skivediameter	230 mm
Maks. skivetykkelse	3,0 mm
Maks. skæredybde	88 mm
Mærkehastighed	6.600 min <sup>-1</sup>
Mærkespænding	D.C. 36 V
Maks. tilladt tryk for vandtilførsel	5,0 bar
Længde i alt	554 mm
Nettovægt	5,6 - 6,3 kg

- På grund af vores kontinuerlige forsknings- og udviklingsprogrammer kan hosstående specifikationer blive ændret uden varsel.
- Specifikationer kan variere fra land til land.
- Vægten kan være anderledes afhængigt af tilbehøret, inklusive akkuen. Den letteste og tungeste kombination i henhold til EPTA-procedure 01/2014 er vist i tabellen.

## Anvendelig akku og oplader

Akku	BL1815N / BL1820 / BL1820B / BL1830 / BL1830B / BL1840 / BL1840B / BL1850 / BL1850B / BL1860B
Oplader	DC18RC / DC18RD / DC18RE / DC18SD / DC18SE / DC18SF / DC18SH

- Nogle af de akkuer og opladere, der er angivet ovenfor, er muligvis ikke tilgængelige, afhængigt af hvilket område du bor i.

**⚠ ADVARSEL:** Brug kun de akkuer og opladere, der er angivet ovenfor. Brug af andre akkuer og opladere kan medføre personskaade og/eller brand.

## Tilsigtet anvendelse

Denne maskine er beregnet til skæring i metalmaterialer med en slibende afskæringsskive og også murværksmaterialer med en diamantskive.

## Lyd

Det typiske A-vægtede støjniveau bestemt i overensstemmelse med EN60745-2-22:

Lydtryksniveau ( $L_{pA}$ ) : 103 dB (A)

Lydeffektniveau ( $L_{WA}$ ) : 114 dB (A)

Usikkerhed (K): 3 dB (A)

**BEMÆRK:** De(n) angivne støjemissionsværdi(er) er målt i overensstemmelse med en standardtestmetode og kan anvendes til at sammenligne en maskine med en anden.

**BEMÆRK:** De(n) angivne støjemissionsværdi(er) kan også anvendes i en præliminær eksponeringsvurdering.

**⚠ ADVARSEL:** Bær høreværn.

**⚠ ADVARSEL:** Støjemissionen under den faktiske anvendelse af maskinen kan være forskellig fra de(n) angivne værdi(er), afhængigt af den måde hvorpå maskinen anvendes, især den type arbejdsemne der behandles.

**⚠ ADVARSEL:** Sørg for at identificere de sikkerhedsforskrifter til beskyttelse af operatøren, som er baseret på en vurdering af eksponering under de faktiske brugsforhold (med hensyntagen til alle dele i brugscyklussen, f.eks. de gange, hvor maskinen er slukket, og når den kører i tomgang i tilgift til afbrydertiden).

## Vibration

Arbejdstilstand: skæring i beton

Venstre hånd		Højre hånd		Gældende standard
$a_{h,w}$ ( $m/s^2$ )	Usikkerhed K ( $m/s^2$ )	$a_{h,w}$ ( $m/s^2$ )	Usikkerhed K ( $m/s^2$ )	
5,9	1,5	4,0	1,5	EN60745-2-22

**BEMÆRK:** De(n) angivne totalværdi(er) for vibration er målt i overensstemmelse med en standardtestmetode og kan anvendes til at sammenligne en maskine med en anden.

**BEMÆRK:** De(n) angivne totalværdi(er) for vibration kan også anvendes i en præliminær eksponeringsvurdering.

**⚠ ADVARSEL:** Vibrationsemissionen under den faktiske anvendelse af maskinen kan være forskellig fra de(n) angivne værdi(er), afhængigt af den måde hvorpå maskinen anvendes, især den type arbejdsemne der behandles.

**⚠ ADVARSEL:** Sørg for at identificere de sikkerhedsforskrifter til beskyttelse af operatøren, som er baseret på en vurdering af eksponering under de faktiske brugsforhold (med hensyntagen til alle dele i brugsklassen, f.eks. de gange, hvor maskinen er slukket, og når den kører i tomgang i tilgift til afbrydertiden).

## EF-overensstemmelseserklæring

*Kun for lande i Europa*

EF-overensstemmelseserklæringen er inkluderet som Bilag A i denne brugsanvisning.

## SIKKERHEDSADVARSLER

### Almindelige sikkerhedsregler for el-værktøj

**⚠ ADVARSEL:** Læs alle de sikkerhedsadvarsler, instruktioner, illustrationer og specifikationer, der følger med denne maskine. Forsømmelse af at overholde alle nedenstående instruktioner kan medføre elektrisk stød, brand og/eller alvorlig personskade.

### Gem alle advarsler og instruktioner til fremtidig reference.

Ordet "el-værktøj" i advarslerne henviser til det netforsynede (netledning) el-værktøj eller batteriforsynede (akku) el-værktøj.

### Sikkerhedsadvarsler for akku skærer

1. Den beskyttelsesskærm, der følger med værktøjet, skal monteres forsvarligt på værktøjet og placeres, så maksimal sikkerhed opnås, således at operatøren er udsat for den mindst mulige del af skiven. De selv og omkringstående må ikke stå i den roterende skives plan. Beskyttelsesskærmen bidrager til at beskytte operatøren mod afbrækkede skivefragmenter og utilsigtet kontakt med skiven.
2. Brug kun limede, forstærkede eller diamantafskæringsskiver til maskinen. Selvom ekstraudstyret kan monteres på maskinen, kan sikker betjening ikke garanteres.
3. Tilbehørets mærkehastighed skal mindst være den samme som den maksimale hastighed, som er angivet på værktøjet. Tilbehørsdele, som kører hurtigere end deres mærkehastighed, kan brække og slynges bort.

4. Skiver må kun anvendes til de anbefalede formål. For eksempel: Undlad at slibe med siden af afskæringsskiven. Slibeafskæringsskiver er beregnet til perifer slibning, og hvis disse skiver udsættes for sidetryk, kan de gå i stykker.
5. Anvend altid ubeskadigede skiveflanger, som har den rigtige diameter, til den valgte skive. Korrekte skiveflanger understøtter skiven, hvilket reducerer risikoen for, at skiven brækker.
6. Anvend ikke nedslidte forstærkede skiver fra større maskiner. Skiver, som er beregnet til en større maskine, er ikke egnet til en mindre maskines højere hastighed og kan brække.
7. Den udvendige diameter og tykkelsen på Deres tilbehør skal være inden for værktøjets kapacitetsnormering. Tilbehør af forøkt størrelse kan ikke beskyttes eller kontrolleres på tilstrækkelig vis.
8. Skivernes og flangeres dornstørrelse skal passe nøjagtigt til maskinens spindel. Skiver og flanger med dornhuller, som ikke passer til maskinens monteringsdele, vil køre ubalanceret, vibrere kraftigt og kan bevirke, at du mister herredømmet over maskinen.
9. Anvend ikke beskadigede skiver. Inden hver brug skal De efterse skiverne for hakker og revner. Hvis værktøjet eller skiven har været tabt, skal de efterses for beskadigelse, eller der skal monteres en ubeskadiget skive. Når skiven er eftersat og monteret, skal De og eventuelle omkringstående stille Dem uden for den roterende skives plan og derefter lade værktøjet køre ved maksimal hastighed uden belastning i et minut. Beskadigede skiver vil normalt brække i løbet af denne testperiode.
10. Anvend altid personligt beskyttelsesudstyr. Afhængigt af arbejdets art skal De anvende ansigtsmaske, beskyttelsesbriller eller sikkerhedsbriller. Efter behov skal der anvendes støvmaske, høreværn, handsker og beskyttelsesforklæde, som er i stand til at stoppe små fragmenter fra slibeskiven eller arbejdsemnet. Øjenbeskyttelsen skal kunne stoppe flyvende partikler, som frembringes af forskellige betjening. Støvmasken eller åndedrætsværnet skal være i stand til at filtrere partikler, som frembringes under arbejdet. Længere tids udsættelse for støj af høj intensitet kan medføre høreskader.

11. **Sørg for at holde omkringstående på en sikker afstand af arbejdsområdet. Enhver person, som befinder sig i arbejdsområdet, skal bære personligt beskyttelsesudstyr.** Fragmenter fra arbejdsemnet eller fra en brækket skive kan slynges af og forårsage personskade uden for det umiddelbare arbejdsområde.
12. **Hold udelukkende maskinen i de isolerede grebflader, når der udføres et arbejde, hvor det skærende tilbehør kan komme i kontakt med skjulte ledninger.** Skæretilbehør, som kommer i kontakt med en strømførende ledning, kan gøre blottede metaldele på maskinen strømførende og udgøre en risiko for, at operatøren får elektrisk stød.
13. **Læg ikke værktøjet fra Dem, før tilbehøret er helt stoppet.** Den roterende skive kan gribe fat i overfladen og trække værktøjet ud af Deres herredømme.
14. **Lad ikke værktøjet køre, mens De bærer det ved siden.** Utilsigtet kontakt med det roterende tilbehør kan bevirke, at det griber fat i Deres tøj og trækker tilbehøret ind mod Deres krop.
15. **Rengør værktøjets ventilationsåbninger med jævne mellemrum.** Motorens ventilator vil suge støv ind i huset, og en stor mængde akkumuleret metalstøv kan forårsage elektrisk fare.
16. **Anvend ikke værktøjet i nærheden af brændbare materialer.** Gnister kan antænde disse materialer.

#### Tilbageslag og relaterede advarsler

Tilbageslag er en pludselig reaktion på en fastklemt eller blokeret roterende skive. Fastklemning eller blokering medfører, at den roterende skive pludseligt stopper, hvilket igen bevirker, at det ukontrollerede værktøj tvinges i den modsatte retning af skivens rotation på det punkt, hvor den sidder fast.

Hvis for eksempel en slibeskive er blokeret eller fastklemt af arbejdsemnet, kan kanten på skiven, som går ind i fastklemningspunktet, grave sig ind i materialets overflade og derved bevirke, at skiven kommer ud eller presses ud. Skiven kan enten slynges mod eller bort fra operatøren, afhængigt af retningen af skivens bevægelse på fastklemningspunktet. Slibeskiver kan også brække under disse forhold. Tilbageslag er et resultat af misbrug og/eller fejlagtig brug af værktøjet eller ukorrekte brugsforhold og kan undgås ved, at man tager de rigtige forholdsregler som anvist herunder.

1. **Hold godt fast i værktøjet, og indtag en stilling med kroppen og armen, således at De kan modstå tilbageslagskraften. Anvend altid hjælpehåndtaget, hvis et sådant forefindes, til at opnå den maksimale kontrol med tilbageslag eller torsionsreaktion under starten.** Operatøren kan kontrollere torsionsreaktionen og tilbageslagskraften, hvis de rette forholdsregler tages.
2. **Anbring ikke hånden i nærheden af det roterende tilbehør.** Tilbehøret kan slå tilbage hen over hånden.
3. **Stil Dem ikke på linje med den roterende skive.** Et tilbageslag vil slynge værktøjet i den modsatte retning af skivens bevægelse ved blokeringspunktet.

4. **Vær særligt forsigtig ved arbejde på hjørner, skarpe kanter osv. Sørg for, at tilbehøret ikke hopper eller sætter sig fast.** Hjørner, skarpe kanter eller hoppen har en tendens til at fastklemme det roterende tilbehør med tab af kontrol eller tilbageslag til følge.
5. **Lad være med at montere en savkæde, en træskæreklinge, en segmenteret diamantskive med et perifert mellemrum på mere end 10 mm eller en savklinge med tænder.** Sådanne klinger er ofte årsag til tilbageslag og tab af herredømmet.
6. **Vær påpasselig med ikke at "klemme" skiven eller udsætte den for et ekstremt tryk. Forsøg ikke at udføre en for dyb skæring.** Overbelastning af skiven øger belastningen og sandsynligheden for, at skiven vrækker eller binder i snittet, samt risiko for tilbageslag, eller at skiven brækker.
7. **Hvis skiven binder, eller hvis en skæring af en eller anden grund afbrydes, skal De slukke for værktøjet og holde det stille, indtil det er stoppet helt. Forsøg aldrig at fjerne skiven fra snittet, mens skiven er i bevægelse, da dette kan medføre tilbageslag.** Tag bestik af situationen, og foretag det nødvendige for at eliminere årsagen til, at skiven binder.
8. **Påbegynd ikke skæreooperationen igen i arbejdsemnet. Lad skiven komme op på fuld hastighed, og gå derefter forsigtigt ind i snittet igen.** Skiven kan binde, bevæge sig opad eller slå tilbage, hvis værktøjet startes igen, mens det befinder sig i arbejdsemnet.
9. **Understøt paneler eller store arbejdsemner for at minimere risikoen for, at skiven binder, og der opstår tilbageslag.** Store arbejdsemner har tendens til at synke under deres egen vægt. Støtteanordninger skal anbringes under arbejdsemnet i nærheden af snittet og nær kanten på arbejdsemnet på begge sider af skiven.
10. **Udvis ekstra forsigtighed, når der laves et "lommensnit" i eksisterende vægge eller i andre blinde områder.** Den udragende skive kan komme til at skære i gas- eller vandrer, elektriske ledninger eller genstande, som kan forårsage tilbageslag.

#### Supplerende sikkerhedsadvarsler:

1. **Inden anvendelse af en segmenteret diamantskive skal De sørge for, at diamantskiven har et perifert mellemrum mellem segmenterne på 10 mm eller derunder, kun med en negativ rivevinkel.**
2. **Forsøg aldrig at skære med værktøjet holdt på hovedet i en skruestik. Dette kan medføre alvorlige ulykker, da det er yderst farligt.**
3. **Nogle materialer indeholder kemikalier, som kan være giftige. Vær påpasselig med at forhindre indånding af støv samt hudkontakt. Følg materialeleverandørens sikkerhedsdata.**
4. **Opbevar skiverne i henhold til fabrikantens anbefalinger. Fejlagtig opbevaring kan beskadige skiverne.**
5. **Anvend altid den skive som passer til dit arbejde, og det materiale som skal skæres.**
6. **Undersøg det materiale som skal skæres inden skæring.** Hvis materialet indholder eksplosive eller brandbare materialer, kan det muligvis medføre en eksplosion eller brand.

7. Tænd ikke for maskinen, hvis der sidder et fremmedlegeme fast mellem beskyttelseskærmen og skiven. I dette tilfælde skal du afmontere akkuen og fjerne fremmedlegemet.
8. Brug skruetvinger eller lignende til at understøtte arbejdsemnet, når som helst det er muligt.
9. Brug altid høreværn under arbejdet.
10. Skær ikke i træmaterialer med denne maskine.

## GEM DISSE FORSKRIFTER.

**⚠ ADVARSEL:** LAD IKKE bekvemmelighed eller kendskab til produktet (opnået gennem gentagen brug) forhindre, at sikkerhedsforskrifterne for produktet nøje overholdes. MISBRUG eller forsømmelse af at følge de i denne brugsvejledning givne sikkerhedsforskrifter kan medføre alvorlig personskade.

## Vigtige sikkerhedsinstruktioner for akkuen

1. Læs alle instruktioner og advarselmærkater på (1) akku-opladeren, (2) akkuen og (3) produktet, som anvender akku.
2. Adskil eller ændr ikke akkuen. Det kan muligvis resultere i en brand, overdreven varme eller eksplosion.
3. Hold straks op med anvendelsen, hvis brugstiden er blevet stærkt afkortet. Fortsat anvendelse kan resultere i risiko for overophedning, forbrændinger og endog eksplosion.
4. Hvis De har fået elektrolytvæske i øjnene, skal De straks skylle den ud med rent vand og derefter øjeblikkeligt søge lægehjælp. I modsat fald kan De miste synet.
5. Vær påpasselig med ikke at komme til at kortslutte akkuen:
  - (1) Rør ikke ved terminalerne med noget ledende materiale.
  - (2) Undgå at opbevare akkuen i en beholder sammen med andre genstande af metal, for eksempel søm, mønter og lignende.
  - (3) Udsæt ikke akkuen for vand eller regn. Kortslutning af akkuen kan forårsage en kraftig øgning af strømmen, overophedning, mulige forbrændinger og endog værktøjstop.
6. Opbevar og brug ikke maskinen og akkuen på steder, hvor temperaturen muligvis kan nå eller overstige 50 °C.
7. Lad være med at brænde akkuen, selv ikke i tilfælde, hvor den har lidt alvorlig skade eller er fuldstændig udtjent. Akkuen kan eksplodere, hvis man forsøger at brænde den.
8. Slå ikke søm i, skær ikke i, knus, kast, tab ikke akkuen og stød ikke akkuen mod en hård genstand. Sådant adfærd kan muligvis resultere i en brand, overdreven varme eller eksplosion.
9. Anvend ikke en beskadiget akku.
10. De indbyggede litium-ion-batterier er underlagt lovkrav vedrørende farligt gods. Ved kommerciel transport, f.eks. af tredjeparts transportselskaber, skal særlige krav til forpakning og mærkning overholdes.

Ved forberedelse af udstyret til forsendelse skal du kontakte en ekspert i farligt gods. Overhold også eventuel mere detaljeret national lovgivning.

11. Tape eller tildæk åbne kontakter, og pak batteriet på en måde, så det ikke kan flytte sig rundt i pakningen.
12. Når akkuen bortskaffes, skal du fjerne den fra maskinen og bortskaffe den på et sikkert sted. Følg de lokale love vedrørende bortskaffelsen af batterier.
13. Brug kun batterierne med de produkter, som Makita specificerer. Hvis batterierne installeres i ikke-kompatible produkter, kan det medføre brand, kraftig varme, eksplosion eller udsivning af elektrolyt.
14. Hvis maskinen ikke skal bruges i længere tid ad gangen, skal du fjerne batteriet fra maskinen.
15. Akkuen kan muligvis under og efter brug være varm, hvilket kan forårsage forbrændinger eller lavtemperaturforbrændinger. Vær påpasselig med håndtering af varme akkuer.
16. Rør ikke terminalen på maskinen straks efter brug, da den bliver varm nok til at forårsage forbrændinger.
17. Sørg for at spåner, støv eller jord ikke sætter sig fast inde i terminalerne, hullerne og rillerne på akkuen. Det kan muligvis medføre dårlig ydelse eller nedbrud af maskinen eller akkuen.
18. Medmindre maskinen understøtter brugen i nærheden af elektriske højspændingsledninger, skal du ikke anvende akkuen i nærheden af elektriske højspændingsledninger. Det kan muligvis medføre funktionsfejl på eller nedbrud af maskinen eller akkuen.
19. Opbevar batteriet utilgængeligt for børn.

## GEM DENNE BRUGSANVISNING.

**⚠ FORSIGTIG:** Brug kun originale batterier fra Makita. Brug af uoriginale Makita-batterier, eller batterier som er blevet ændret, kan muligvis medføre brud på batteriet, hvilket kan forårsage brand, personskade eller beskadigelse. Det ugyldiggør også Makita-garantien for Makita-maskinen og opladeren.

## Tips til opnåelse af maksimal akku-levetid

1. Oplad akkuen, inden den er helt afladet. Stop altid værktøjet, og oplad akkuen, hvis De bemærker, at værktøjeffekten er aftagende.
2. Genoplad aldrig en fuldt opladet akku. Overopladning vil afkorte akkuens levetid.
3. Oplad akkuen ved stuetemperatur ved 10 °C - 40 °C. Lad altid en varm akku få tid til at køle af, inden den oplades.
4. Når du ikke anvender akkuen, skal du fjerne den fra maskinen eller opladeren.
5. Oplad akkuen, hvis De ikke skal bruge den i længere tid (mere end seks måneder).

# BESKRIVELSE AF DELENE

► Fig.1

1	Slibende afskærings-skive / diamantskive	2	Beskyttelsesskærm	3	Greb	4	Dæksel (til batterirum)
5	Låseknop	6	Krog	7	Lampe	8	Kontrolknop
9	Batteriindikator	10	Overbelastningsindikator	11	Lampeknop	12	Afbryderknop
13	Håndtag	14	Indløb til vand	15	Hane	16	Dæksel (til kilerem)
17	Aksellåseknop	18	Samlingsmuffe	19	Topnøgle	20	Unbrakonøgle

## FUNKTIONSBESKRIVELSE

**⚠FORSIGTIG:** Sørg altid for at maskinen er slukket, og at akkuen er taget ud, før der udføres justering eller kontrol af funktioner på maskinen.

### Isætning eller fjernelse af akkuen

**⚠FORSIGTIG:** Sluk altid for værktøjet, før De monterer eller fjerner akkuen.

**⚠FORSIGTIG:** Hold værktøjet og akkuen fast ved montering eller fjernelse af akkuen. Hvis De ikke holder værktøjet og akkuen fast, kan de glide ud af hænderne på Dem og forårsage beskadigelse af værktøjet og akkuen eller personskade.

For at installere akkuen skal du åbne dækslet, mens du frigør krogen. Juster tungen på akkuen med rillen i huset, og skub den på plads. Sæt den hele vejen ind, indtil den låses på plads med et lille klik. Hvis du kan se den røde indikator øverst på knappen, er den ikke låst helt fast.

Efter montering eller afmontering af akkuerne, skal du sørge for, at dækslet er lukket og låst med krogen.

► Fig.2: 1. Dæksel 2. Krog

For at fjerne akkuerne skal du løfte akkuen, mens du trykker på knappen foran på akkuen.

► Fig.3: 1. Rød indikator 2. Knap 3. Akku

**⚠FORSIGTIG:** Monter altid akkuen helt, indtil den røde indikator ikke længere er synlig. Hvis dette ikke gøres, kan den falde ud af værktøjet ved et uheld, hvorved De selv eller personer i nærheden kan komme til skade.

**⚠FORSIGTIG:** Brug ikke magt ved montering af akkuen. Hvis akkuen ikke glider på plads uden problemer, betyder det, at den ikke sættes i på korrekt vis.

**BEMÆRK:** Maskinen fungerer ikke med kun én akku.

## Indikation af den resterende batteriladning

**Kun til akkuer med indikatoren**

► Fig.4: 1. Indikatorlamper 2. Kontrolknop

Tryk på kontrolknappen på akkuen for at få vist den resterende batteriladning. Indikatorlampen lyser i nogle sekunder.

Indikatorlamper			Resterende ladning
Tændt	Slukket	Blinker	
■ ■ ■ ■			75% til 100%
■ ■ ■ □			50% til 75%
■ ■ □ □			25% til 50%
■ □ □ □			0% til 25%
▣ □ □ □			Genoplad batteriet.
■ ■ □ □			Der er muligvis fejl i batteriet.
□ □ ■ ■			








**BEMÆRK:** Afhængigt af brugsforholdene og den omgivende temperatur kan indikationen afvige en smule fra den faktiske ladning.

**BEMÆRK:** Den første indikatorlampe (længst mod venstre) vil blinke, når batteribeskyttelsessystemet aktiveres.

## Indikation af den resterende batteriladning

► Fig.5: 1. Batteriindikator 2. Kontrolknop

Tryk på kontrolknappen for at få vist de resterende batteriladning. Batteriindikatorerne svarer til hvert enkelt batteri.

Status på batteriindikator			Resterende batteriladning
 Tændt	 Slukket	 Blinker	
			50% til 100%
			20% til 50%
			0% til 20%
			Genoplad batteriet

## Beskyttelsessystem til værktøj/batteri




Værktøjet er forsynet med et beskyttelsessystem til værktøj/batteri. Dette system afbryder automatisk strømmen til motoren for at forlænge levetiden for værktøjet og batteriet. Værktøjet stopper automatisk under driften, hvis det eller batteriet kommer i en af følgende situationer. I nogle tilfælde lyser indikatorerne.

## Overbelastningsbeskyttelse

Hvis maskinen/batteriet bruges på en måde, der får den/det til at trække en unormalt høj strøm, stopper maskinen automatisk. Sluk i så fald for maskinen, og ophør med den anvendelse, som medførte, at maskinen blev overbelastet. Tænd derefter for maskinen for at starte den igen.

## Beskyttelse mod overophedning

Hvis maskinen er overophedet, stopper maskinen automatisk, og akku-indikatoren blinker i cirka 60 sekunder. Lad i så fald maskinen køle ned, før der tændes for maskinen igen.

 Tændt	 Blinker
	

## Beskyttelse mod afladning

Når batteriladningen bliver for lav, stopper værktøjet automatisk. Hvis produktet ikke fungerer, selvom kontakterne betjenes, skal De tage batterierne ud af værktøjet og lade batterierne op.

## Advarsel om overbelastning

Hvis maskinen anvendes ved for stor belastning, blinker overbelastningsindikatoren rødt. Reducer i denne situation belastningen på maskinen. Indikatoren holder derefter op med at blinke.

► Fig.6: 1. Overbelastningsindikator

## Afbryderbetjening

**⚠ ADVARSEL:** Inden akkuen sættes i maskinen, bør De altid kontrollere, at afbryderknappen fungerer korrekt, og returnerer til "OFF"-positionen, når den slippes.

**⚠ ADVARSEL:** Deaktivér ALDRIG lås fra-knappen ved at holde den nede med tape eller på andre måder. En afbryder med en deaktiveret lås fra-knap kan medføre utilsigtet brug og alvorlig personskade.

**⚠ ADVARSEL:** Brug ALDRIG værktøjet, hvis det kører, når De blot trækker afbryderknappen uden at trykke på lås fra-knappen. En afbryder, der behøver at blive repareret, kan medføre utilsigtet funktion og alvorlig personskade. Returnér værktøjet til et Makita servicecenter for korrekt reparation, FØR det anvendes igen.

For at forhindre utilsigtet tryk på afbryderknappen er maskinen udstyret med en lås fra-knap. Maskinen startes ved at trykke lås fra-knappen ned og trykke på afbryderknappen. Slip afbryderknappen for at stoppe.

► Fig.7: 1. Afbryderknap 2. Lås fra-knap

**BEMÆRKNING:** Undlad at trække hårdt i afbryderknappen uden at trykke på lås fra-knappen. Dette kan ødelægge afbryderen.

## Tænding af lampen

**⚠ FORSIGTIG:** Kig aldrig direkte på lyskilden. Lad ikke lyset falde i Deres øjne.

For at tænde for lampen skal du trykke på lampeknappen. For at slukke skal du trykke på lampeknappen igen.

► Fig.8: 1. Lampeknap 2. Lampe

**BEMÆRK:** Lampen slukkes automatisk, hvis der ikke er nogen betjening af maskinen i et minut.

## SAMLING

**⚠ FORSIGTIG:** Sørg altid for at maskinen er slukket, og at akkuen er taget ud, før der udføres noget arbejde på maskinen.

## Montering eller afmontering af slibende afskæringskive / diamantskive

**⚠ FORSIGTIG:** Anvend kun Makita-skruenøglen til at montere eller afmontere skiven.

**⚠ FORSIGTIG:** Sørg for at skruenøglen er fast ved montering af skiven.

**⚠ FORSIGTIG:** Tryk aldrig på aksellåseknappen, når skiven roterer.

For at afmontere skiven skal du trykke på aksellåseknappen og rotere skiven, indtil skiven ikke kan dreje længere. Med aksellåsen helt låst skal du dreje sekskantboltens mod uret vha. topnøglen. Afmonter derefter sekskantboltens, den udvendige flange og skiven.

► **Fig.9:** 1. Aksellåseknop 2. Topnøgle 3. Tilspænd 4. Løsn

► **Fig.10:** 1. Sekskantbolt 2. Udvendig flange (sort) 3. Slibende afskæringsskive / diamantskive 4. Indvendig flange (sølvfarvet) 5. Pil (skivens rotationsretning)

Følg proceduren til afmontering i omvendt rækkefølge for at montere skiven.

SØRG FOR AT STRAMME SEKSKANTBOLTEN GODT TIL.

**⚠FORSIGTIG:** Monter altid skiven, så pilen på den peger i samme retning som pilen på beskyttelsesskærmen. Ellers kan skiven rotere baglæns og forårsage personskade.

**⚠FORSIGTIG:** Brug kun den skive, der er mærket med en hastighed svarende til eller større end den hastighed, der er angivet på maskinen.

**BEMÆRK:** Hvis en indvendig flange utilsigtet fjernes, skal den indvendige flange monteres, så højere fremspring vender mod maskinsiden som vist på figuren.

► **Fig.11:** 1. Sekskantbolt 2. Udvendig flange (sort) 3. Slibende afskæringsskive / diamantskive 4. Indvendig flange (sølvfarvet) 5. Fremspring (højere)

## Tilslutning til vandforsyning

1. Forbered en vandslange.  
2. Fjern møtrikken på samlingsmuffen, og før vandslangen gennem møtrikken. Sæt enden af slangen i samlingsmuffen, og stram derefter møtrikken.

► **Fig.12:** 1. Vandslange 2. Møtrik på samlingsmuffen 3. Samlingsmuffe

3. Tilslut vandslangen til vandforsyningen.

Når du tilslutter til en vandhane, skal du anvende en egnet fitting som fx et slangebånd eller vandhanesamling.

► **Fig.13:** 1. Slangebånd 2. Vandhanesamling 3. Vandslange

**BEMÆRK:** Fittingen afhænger af formen på den vandhane, du tilkobler til. Forbered en passende kommercielt tilgængelig fitting.

**BEMÆRK:** Hvis du anvender en vandhanesamling, skal du klargøre en ekstra samlingsmuffe og koble den til den anden ende af slangen.

**BEMÆRK:** Når du anvender en vandpumpe, skal du følge instruktionerne til din vandpumpe for at tilslutte vandslangen.

4. Tryk samlingsmuffen ind i indløbet til vand, indtil den låses med et klik.

► **Fig.14:** 1. Samlingsmuffe 2. Indløb til vand 3. Hane

**BEMÆRKNING:** Hold hanen lukket, indtil du begynder at skære med vandtilførsel. Angående hvordan der tilføres vand, skal du se afsnittet om betjeningen.

## ANVENDELSE

**⚠FORSIGTIG:** Sørg for, at du låser dækslet til batterirummet inden brugen.

**⚠FORSIGTIG:** Sørg for at holde arbejdsemnet fast nede på en stabil arbejdsbænk eller et stabilt bord under arbejdet.

**⚠FORSIGTIG:** Undlad at vrikke maskinen eller at bruge magt på den i snittet, da motoren ellers kan blive overbelastet, eller arbejdsemnet kan brække.

## Skæring

**⚠FORSIGTIG:** Under betjening skal du ikke bringe maskinen højere end skulderhøjde.

► **Fig.15**

Hold godt fast i maskinen. Hold fast i håndtaget med din højre hånd og i grebet med din venstre hånd. For at forhindre elektrisk stød pga. utilsigtet skæring i et kabel skal du altid holde på grebets designerede del som vist på figuren.

► **Fig.16:** 1. Del, du skal holde på

Flyt maskinen hen over arbejdsemnets overflade, idet den holdes fladt og flyttes jævnt frem, indtil skæringen er færdig. Hold skærelinjen lige, og flyt fremad med jævn hastighed.

► **Fig.17**

**BEMÆRK:** Hvis temperaturen af akkuen er lav, fungerer maskinen muligvis ikke ved fuld kapacitet. På dette tidspunkt kan du f.eks. bruge maskinen til et let snit i et stykke tid, indtil akkuen er varmet op til stuetemperatur. Maskinen kan derefter fungere ved fuld kapacitet.

**BEMÆRK:** Hvis diamantskivens skæring aftager, skal du slibe skivens skærekant med en gammel og udtjent, grovkornet bænkslibeskive eller en betonklods. Slib ved at trykke let mod diamantskivens ydre kant.

## Når der tilføres vand under skæring

**⚠FORSIGTIG:** Når der anvendes en diamantskive af våd typen, skal du altid tilføre vand under skæring.

Tilslut maskinen til vandforsyningen og drej hanen i pilens retning som illustreret. Juster positionen af hanen så der opnås en stille vandstrøm.

► **Fig.18:** 1. Hane

**⚠FORSIGTIG:** Når der tilføres vand, skal du altid holde maskinens hoved lavere end maskinens for at forhindre, at der trænger vand ind i maskinens mekanisme. Hvis du ikke gør dette, kan det muligvis medføre elektrisk stød.

► **Fig.19**

# VEDLIGEHOJDELSE

**⚠ FORSIGTIG:** Vær altid sikker på, at værktøjet er slukket, og at akkuen er taget ud, inden De begynder at udføre inspektion eller vedligeholdelse.

**BEMÆRKNING:** Anvend aldrig benzin, rensebenzin, fortynder, alkohol og lignende. Det kan medføre misfarvning, deformation eller revner.

Før at opretholde produktets SIKKERHED og PÅLIDELIGHED må reparation, vedligeholdelse eller justering kun udføres af et autoriseret Makita servicecenter eller fabrikksservicecenter med anvendelse af Makita reservedele.

## Rengøring af maskinen

Efter hver enkelt anvendelse skal du fjerne akkuen og skiven, og derefter rengøre for støv, snavs og metalspåner som har ophobet sig inde i beskyttelseskærmen. Rengør maskinen ved at aftørre støv, snavs med en tør klud eller en klud, der er dyppet i sæbevand og vredet. Brug en tør klud til at tørre snavset af lampens linse. Pas på ikke at ridse lampens linse, da dette muligvis kan dæmpe belysningen.

► **Fig.20:** 1. Beskyttelseskærm 2. Lampens linse

## Rengøring af ventilationsåbningen

Rengør maskinens ventilationsåbninger med jævne mellemrum eller når ventilationsåbningerne begynder at blive tilstoppede.

► **Fig.21:** 1. Indsugningsåbning 2. Udstødningsåbning

## Udskiftning af kileremmen

1. Fjern akkuen og skiven.
2. Løsn boltene med indvendig sekskant vha. unbrakonøglen, og fjern derefter dækslet.

► **Fig.22:** 1. Bolt med indvendig sekskant 2. Dæksel

3. Mens du med stor kraft vrider kileremmen, så dens indvendige side vender opad som vist på figuren, skal du dreje boltene på remskiven (stor) med uret vha. topnøglen.

Kileremmen vil afvige fra sporet og falde af, efterhånden som du drejer på boltene.

► **Fig.23:** 1. Kilerem 2. Remskive (stor) 3. Topnøgle

**BEMÆRKNING:** Drej aldrig topnøglen mod uret. Gør du dette, løsnes boltene på remskiven (stor), hvilket resulterer i dårlig ydelse.

4. Hægt den nye kilerem på remskiven (lille). Placer den anden ende af kileremmen på remskiven (stor), så den er delvist hægtet på forkanten af skinnen på remskiven. (Du behøver ikke at hægte kileremmen til alle skinnerne på remskiven på dette stadie). Efter dette skal du dreje boltene på remskiven (stor) med uret vha. topnøglen.

Kileremmen vil sidde fast på sporet, efterhånden som du drejer på boltene.

► **Fig.24:** 1. Remskive (lille) 2. Remskive (stor) 3. Topnøgle

Sørg for, at alle styrene på kileremmens indvendige cirkel passer ind i skinnerne på remskiverne. Alle skinnerne på remskiven skal understøtte styrene på kileremmen. Hvis der er en skinne som ikke understøtter styret, er kileremmen ikke monteret korrekt.

► **Fig.25:** 1. Skinne på remskiven 2. Styr på kileremmen

5. Placer dækslet oven på maskinen og stram boltene med indvendig sekskant vha. en unbrakonøgle.

► **Fig.26:** 1. Rør 2. Dæksel 3. Bolt med indvendig sekskant

**BEMÆRKNING:** Kontroller, at røret til vandtilførsel er på de positioner, som er vist på figuren, inden montering af dækslet.



# FEJLFINDING

Udfør selv en inspektion, inden De anmoder om reparation. Hvis De opdager et problem, som ikke er forklaret i brugsanvisningen, må De ikke forsøge at adskille maskinen. Rådfør Dem i stedet med et autoriseret Makita Servicecenter, og brug altid originale Makita udskiftningsdele til reparationer.

Unormal tilstand	Sandsynlig årsag (fejl)	Afhjælpning
Motoren kører ikke.	Akkuerne er ikke indsat.	Installer to akkuer. Maskinen fungerer ikke med én akku.
	Problem med batteriet (for lav spænding)	Genoplad batteriet. Udskift akkuen, hvis genopladning ikke løser problemet.
	Drevsystemet fungerer ikke korrekt.	Kontakt det lokale autoriserede servicecenter for reparation.
Motoren holder op med at køre efter kort tids brug.	Batteriets opladningsniveau er for lavt.	Genoplad batteriet. Udskift akkuen, hvis genopladning ikke løser problemet.
	Overophedning.	Hold op med at bruge maskinen, så den kan køle ned.
Skiverotationen accelererer ikke ordentligt, selv efter maskinen har kørt i 20 sekunder uden belastning.	Batteriet er indsat forkert.	Indsæt akkuen som beskrevet i denne brugervejledning.
	Batteriladningen falder.	Genoplad akkuen. Udskift akkuen, hvis genopladning ikke løser problemet.
	Kileremmen glider.	Udskift kileremmen med en ny.
	Drevsystemet fungerer ikke korrekt.	Kontakt det lokale autoriserede servicecenter for reparation.
Skiven roterer ikke: ⇒ Stop maskinen med det samme!	Kileremmen glider.	Udskift kileremmen med en ny.
	Et fremmedlegeme sidder fast mellem beskyttelsesskærmen og skiven.	Afmonter akkuen og fjern derefter fremmedlegemet.
	Drevsystemet fungerer ikke korrekt.	Kontakt det lokale autoriserede servicecenter for reparation.
Unormal vibration: ⇒ Stop maskinen med det samme!	Fejlagtig montering af skiven.	Monter skiven som instrueret i denne brugsanvisning. Tilspænd bolten for at fastgøre skiven ordentligt.
	Drevsystemet fungerer ikke korrekt.	Kontakt det lokale autoriserede servicecenter for reparation.
Skæreværktøjet og motoren kan ikke stoppe: ⇒ Fjern akkuen med det samme!	Elektrisk eller elektronisk fejlfunktion.	Fjern akkuen og anmod dit lokale autoriserede servicecenter om en reparation.
Dårlig skærefunktion	Det er tid til at udskifte skiven.	Udskift skiven med en ny.
Der lækker vand fra indløbet.	Der lækker vand fra O-ringsdelen.	Kontakt det lokale autoriserede servicecenter for reparation.

## EKSTRAUDSTYR

**⚠ FORSIGTIG:** Det følgende tilbehør og ekstraudstyr er anbefalet til brug med Deres Makita maskine, der er beskrevet i denne brugsanvisning. Anvendelse af andet tilbehør eller ekstraudstyr kan udgøre en risiko for personskade. Anvend kun tilbehør og ekstraudstyr til det beskrevne formål.

Hvis De behøver hjælp ved valg af tilbehør eller ønsker yderligere informationer, bedes De kontakte Deres lokale Makita servicecenter.

- Slibende afskæringsskive
- Diamantskive
- Kilerem
- Samlingsmuffe
- Flange 60-sæt (landespecifik)
- Topnøgle

- Unbrakonøgle
- Original Makita-akku og oplader

**BEMÆRK:** Nogle ting på denne liste kan være inkluderet i værktøjsspakken som standardtilbehør. Det kan være forskellige fra land til land.

## ΠΡΟΔΙΑΓΡΑΦΕΣ

Μοντέλο:	DCE090
Διάμετρος τροχού	230 mm
Μέγιστο πάχος τροχού	3,0 mm
Μέγ. βάθος κοπής	88 mm
Ονομαστική ταχύτητα	6.600 min <sup>-1</sup>
Ονομαστική τάση	D.C. 36 V
Μέγ. επιτρεπόμενη πίεση νερού τροφοδοσίας	5,0 bar
Ολικό μήκος	554 mm
Καθαρό βάρος	5,6 - 6,3 kg

- Λόγω του συνεχιζόμενου προγράμματος έρευνας και ανάπτυξης, οι προδιαγραφές αυτές υπόκεινται σε αλλαγές χωρίς προειδοποίηση.
- Τα τεχνικά χαρακτηριστικά μπορεί να διαφέρουν από χώρα σε χώρα.
- Το βάρος μπορεί να διαφέρει ανάλογα με τα προσαρτήματα, συμπεριλαμβανοντας την κασέτα μπαταριών. Ο ελαφρύτερος και ο βαρύτερος συνδυασμός, σύμφωνα με τη διαδικασία ΕΡΤΑ 01/2014, παρουσιάζονται στον πίνακα.

## Ισχύουσα κασέτα μπαταριών και φορτιστής

Κασέτα μπαταρίας	BL1815N / BL1820 / BL1820B / BL1830 / BL1830B / BL1840 / BL1840B / BL1850 / BL1850B / BL1860B
Φορτιστής	DC18RC / DC18RD / DC18RE / DC18SD / DC18SE / DC18SF / DC18SH

- Ορισμένες από τις κασέτες και τους φορτιστές μπαταριών που αναγράφονται παραπάνω ίσως να μην είναι διαθέσιμοι, ανάλογα με την τοποθεσία κατοικίας σας.

**⚠ ΠΡΟΕΙΔΟΠΟΙΗΣΗ:** Να χρησιμοποιείτε μόνο τις κασέτες μπαταριών και τους φορτιστές που παρατίθενται ανωτέρω. Η χρήση οποιασδήποτε άλλης κασέτας μπαταριών ή φορτιστή μπορεί να προκαλέσει τραυματισμό ή/και πυρκαγιά.

## Προοριζόμενη χρήση

Το εργαλείο προορίζεται για την κοπή μεταλλικών υλικών με λειαντικό τροχό κοπής, καθώς και υλικών τοιχοποιίας με διαμαντοτροχό.

## Θόρυβος

Το τυπικό Α επίπεδο καταμετρημένου θορύβου καθορίζεται σύμφωνα με το EN60745-2-22:

Στάθμη ηχητικής πίεσης ( $L_{pA}$ ): 103 dB (A)

Στάθμη ηχητικής ισχύος ( $L_{WA}$ ): 114 dB (A)

Αβεβαιότητα (K): 3 dB (A)

**ΠΑΡΑΤΗΡΗΣΗ:** Η δηλωμένη τιμή(ές) εκπομπής θορύβου έχει μετρηθεί σύμφωνα με την πρότυπη μέθοδο δοκιμής και μπορεί να χρησιμοποιηθεί για τη σύγκριση ενός εργαλείου με κάποιο άλλο.

**ΠΑΡΑΤΗΡΗΣΗ:** Η δηλωμένη τιμή(ές) εκπομπής θορύβου μπορεί να χρησιμοποιηθεί και στην προκαταρκτική αξιολόγηση της έκθεσης.

**⚠ ΠΡΟΕΙΔΟΠΟΙΗΣΗ:** Να φοράτε ωτοασπίδες.

**⚠ ΠΡΟΕΙΔΟΠΟΙΗΣΗ:** Η εκπομπή θορύβου κατά τη χρήση του ηλεκτρικού εργαλείου σε πραγματικές συνθήκες μπορεί να διαφέρει από τη δηλωμένη τιμή(ές) ανάλογα με τους τρόπους χρήσης του εργαλείου, ιδιαίτερα το είδος του τεμαχίου εργασίας που υπόκειται επεξεργασία.

**⚠ ΠΡΟΕΙΔΟΠΟΙΗΣΗ:** Φροντίστε να λάβετε τα κατάλληλα μέτρα προστασίας του χειριστή βάσει ενός υπολογισμού της έκθεσης σε πραγματικές συνθήκες χρήσης (λαμβάνοντας υπόψη όλες τις συνιστώσες του κύκλου λειτουργίας όπως τους χρόνους που το εργαλείο είναι εκτός λειτουργίας και όταν βρίσκεται σε αδρανή λειτουργία πέραν του χρόνου ενεργοποίησης).

# Κραδασμός

Είδος εργασίας: κοπή σε τσιμέντο

Αριστερό χέρι		Δεξί χέρι		Ισχύον πρότυπο
$a_{h,w}$ (m/s <sup>2</sup> )	Αβεβαιότητα K (m/s <sup>2</sup> )	$a_{h,w}$ (m/s <sup>2</sup> )	Αβεβαιότητα K (m/s <sup>2</sup> )	
5,9	1,5	4,0	1,5	EN60745-2-22

**ΠΑΡΑΤΗΡΗΣΗ:** Η δηλωμένη τιμή(ές) συνολικών κραδασμών έχει μετρηθεί σύμφωνα με την πρότυπη μέθοδο δοκιμής και μπορεί να χρησιμοποιηθεί για τη σύγκριση ενός εργαλείου με κάποιο άλλο.

**ΠΑΡΑΤΗΡΗΣΗ:** Η δηλωμένη τιμή(ές) συνολικών κραδασμών μπορεί να χρησιμοποιηθεί και στην προκαταρκτική αξιολόγηση της έκθεσης.

**⚠️ ΠΡΟΕΙΔΟΠΟΙΗΣΗ:** Η εκπομπή κραδασμών κατά τη χρήση του ηλεκτρικού εργαλείου σε πραγματικές συνθήκες μπορεί να διαφέρει από τη δηλωμένη τιμή(ές) εκπομπής ανάλογα με τους τρόπους χρήσης του εργαλείου, ιδιαίτερα το είδος του τεμαχίου εργασίας που υπόκειται επεξεργασία.

**⚠️ ΠΡΟΕΙΔΟΠΟΙΗΣΗ:** Φροντίστε να λάβετε τα κατάλληλα μέτρα προστασίας του χειριστή βάσει ενός υπολογισμού της έκθεσης σε πραγματικές συνθήκες χρήσης (λαμβάνοντας υπόψη όλες τις συνιστώσες του κύκλου λειτουργίας όπως τους χρόνους που το εργαλείο είναι εκτός λειτουργίας και όταν βρίσκεται σε αδρανή λειτουργία πέραν του χρόνου ενεργοποίησης).

## Δήλωση συμμόρφωσης ΕΚ

Μόνο για χώρες της Ευρώπης

Η δήλωση συμμόρφωσης ΕΚ περιλαμβάνεται ως Παράρτημα Α στο παρόν εγχειρίδιο οδηγιών.

## ΠΡΟΕΙΔΟΠΟΙΗΣΕΙΣ ΑΣΦΑΛΕΙΑΣ

### Γενικές προειδοποιήσεις ασφαλείας για το ηλεκτρικό εργαλείο

**⚠️ ΠΡΟΕΙΔΟΠΟΙΗΣΗ:** Διαβάστε όλες τις προειδοποιήσεις ασφαλείας, οδηγίες, εικονογραφήσεις και προδιαγραφές που παρέχονται με αυτό το ηλεκτρικό εργαλείο. Η μη τήρηση όλων των οδηγιών που αναγράφονται κατωτέρω μπορεί να καταλήξει σε ηλεκτροπληξία, πυρκαγιά ή/και σοβαρό τραυματισμό.

### Φυλάξτε όλες τις προειδοποιήσεις και τις οδηγίες για μελλοντική παραπομπή.

Στις προειδοποιήσεις, ο όρος «ηλεκτρικό εργαλείο» αναφέρεται σε ηλεκτρικό εργαλείο που τροφοδοτείται από την κύρια παροχή ηλεκτρικού ρεύματος (με ηλεκτρικό καλώδιο) ή σε ηλεκτρικό εργαλείο που τροφοδοτείται από μπαταρία (χωρίς ηλεκτρικό καλώδιο).

### Προειδοποιήσεις ασφαλείας για τον φορητό κόπτη

1. Το προστατευτικό που παρέχεται με το εργαλείο πρέπει να είναι συνδεδεμένο με ασφάλεια στο ηλεκτρικό εργαλείο και τοποθετημένο για μέγιστη ασφάλεια, με τρόπο ώστε το μικρότερο δυνατό μέρος του τροχού να είναι εκτεθειμένο προς το χειριστή. Εσείς και οι παρευρισκόμενοι να στέκεστε μακριά από το επίπεδο περιστροφής του τροχού. Το προστατευτικό βοηθάει στην προστασία του χειριστή από στασιμμένα κομμάτια τροχού και τυχαία επαφή με τον τροχό.

2. Να χρησιμοποιείτε μόνο συνδεδεμένους ενισχυμένους ή διαμεγνένους τροχούς κοπής για το ηλεκτρικό εργαλείο σας. Η χρήση ενός εξαρτήματος απλά και μόνον επειδή μπορεί να προσαρμοστεί στο ηλεκτρικό εργαλείο, δεν διασφαλίζει την ασφαλή λειτουργία του.
3. Η ονομαστική ταχύτητα του εξαρτήματος πρέπει να είναι τουλάχιστον ίση με τη μέγιστη ταχύτητα που αναγράφεται στο ηλεκτρικό εργαλείο. Εξαρτήματα τα οποία περιστρέφονται ταχύτερα από την ονομαστική ταχύτητά τους μπορεί να υποστούν θραύση και τα θραύσματα να εκτιναχθούν στον περιβάλλοντα χώρο.
4. Οι τροχοί πρέπει να χρησιμοποιούνται μόνο στις προβλεπόμενες εφαρμογές. Για παράδειγμα: μη λειάνετε με την πλευρική επιφάνεια του τροχού αποκοπή. Οι λειαντικοί τροχοί κοπής προορίζονται για περιφερειακό τρόχοςμα. Η εφαρμογή πλευρικών δυνάμεων σε αυτούς τους τροχούς μπορεί να προκαλέσει τη θραύση τους.
5. Να χρησιμοποιείτε πάντα φλάντζες τροχών που δεν έχουν υποστεί ζημία και είναι κατάλληλης διαμέτρου για τον επιλεγμένο τροχό. Οι κατάλληλες φλάντζες τροχών υποστηρίζουν τους τροχούς και μειώνουν επομένως την πιθανότητα θραύσης τους.
6. Μη χρησιμοποιείτε φθαρμένους, ενισχυμένους εκ νέου τροχούς από μεγαλύτερα ηλεκτρικά εργαλεία. Οι τροχοί που προορίζονται για χρήση με ένα μεγαλύτερο ηλεκτρικό εργαλείο δεν είναι κατάλληλοι για την υψηλότερη ταχύτητα ενός μικρότερου εργαλείου και μπορεί να σπάσουν.
7. Η εξωτερική διάμετρος και το πάχος του εξαρτήματος πρέπει να είναι εντός της ονομαστικής ικανότητας του ηλεκτρικού εργαλείου. Σε εξαρτήματα εσφαλμένου μεγέθους δεν είναι εφικτή η παροχή επαρκούς προστασίας ή ελέγχου.
8. Το μέγεθος της σπής προσαρμογής σε άξονα των τροχών και των φλάντζων πρέπει να ταιριάζει απολύτως στον άξονα μετάδοσης κίνησης του ηλεκτρικού εργαλείου. Τροχοί και φλάντζες με σπές προσαρμογής οι οποίες δεν ταιριάζουν απολύτως στο εξάρτημα στερέωσης του ηλεκτρικού εργαλείου θα παρουσιάσουν υποβαθμισμένη ζυγοστάθμιση και υπερβολικούς κραδασμούς, και μπορεί και απώλεια ελέγχου.

9. **Μην χρησιμοποιείτε τροχούς που έχουν υποστεί ζημία.** Πριν από κάθε χρήση, επιθεωρήστε τους τροχούς για τεμαχίδια που λείπουν και ρωγμές. Σε περίπτωση πτώσης του ηλεκτρικού εργαλείου ή του τροχού, επιθεωρήστε για τυχόν ζημία ή τοποθετήστε έναν τροχό που δεν έχει υποστεί ζημία. Μετά από τον έλεγχο και την τοποθέτηση του τροχού, σταθείτε εσείς και οι παρευρισκόμενοι σε κατάλληλη θέση μακριά από το επίπεδο περιστροφής του τροχού και αφήστε το ηλεκτρικό εργαλείο σε λειτουργία στη μέγιστη ταχύτητα περιστροφής χωρίς φορτίο, για ένα λεπτό. Συνήθως, οι τροχοί που έχουν υποστεί ζημία διαλύονται, εντός του συγκεκριμένου χρόνου δοκιμής.
10. **Να φοράτε εξοπλισμό ατομικής προστασίας.** Ανάλογα με την εφαρμογή, να χρησιμοποιείτε προσωπίδα προστασίας, προστατευτικά γυαλιά-προσωπίδες ή γυαλιά προστασίας. Όταν απαιτείται, να φοράτε μάσκα σκόνης, προστατευτικά ακοής, γάντια και ποδιά συνεργείου ικανά να παρέχουν προστασία από τα εκτινασσόμενα μικρά θραύσματα του λειαντικού μέσου ή του τεμαχίου εργασίας. Τα προστατευτικά ματιών πρέπει να είναι ικανά να σταματήσουν τυχόν εκτινασσόμενα θραύσματα που δημιουργούνται κατά την εκτέλεση διαφόρων εργασιών. Η μάσκα σκόνης ή η αναπνευστική συσκευή πρέπει να είναι ικανές να φιλτράρουν τα σωματίδια που δημιουργούνται κατά την εκτέλεση των εργασιών σας. Η παρατεταμένη έκθεση σε θόρυβο υψηλής έντασης μπορεί να προκαλέσει απώλεια ακοής.
11. **Φροντίστε ώστε οι παρευρισκόμενοι να βρίσκονται σε ασφαλή απόσταση από τη θέση εργασίας.** Οποιοσδήποτε εισέρχεται στο χώρο εργασίας πρέπει να φορά εξοπλισμό ατομικής προστασίας. Θραύσματα του τεμαχίου εργασίας ή ενός τροχού που έχει υποστεί θραύση μπορεί να εκτιναχθούν και να προκαλέσουν τραυματισμό πέραν των ορίων του άμεσου χώρου εκτέλεσης εργασιών.
12. **Να κρατάτε το ηλεκτρικό εργαλείο μόνο από τις μονωμένες επιφάνειες χειρολαβής όταν εκτελείτε μια εργασία κατά την οποία το κοπτικό εξάρτημα μπορεί να έρθει σε επαφή με κρυμμένα καλώδια.** Σε περίπτωση επαφής του εξαρτήματος κοπής με ηλεκτροφόρο καλώδιο, μπορεί τα εκτεθειμένα μεταλλικά εξαρτήματα του ηλεκτρικού εργαλείου να καταστούν τα ίδια ηλεκτροφόρα και να προκαλέσουν ηλεκτροπληξία στο χειριστή.
13. **Μην αφήνετε ποτέ το ηλεκτρικό εργαλείο κάτω, πριν σταματήσει πλήρως η περιστροφή του εξαρτήματος.** Ο περιστρεφόμενος τροχός μπορεί να εμπλακεί στην επιφάνεια και να τραβήξει το ηλεκτρικό εργαλείο εκτός του ελέγχου σας.
14. **Μην θέσετε το ηλεκτρικό εργαλείο σε λειτουργία, ενώ το μεταφέρετε στο πλάι σας.** Η τυχαία επαφή με το περιστρεφόμενο εξάρτημα μπορεί να προκαλέσει πιάσιμο στα ρούχα σας και να τραβήξει το εξάρτημα μέσα στο σώμα σας.
15. **Να καθαρίζετε τακτικά τις σπές αερισμού του ηλεκτρικού εργαλείου.** Ο ανεμιστήρας του μοτέρ προκαλεί αναρρόφηση της σκόνης στο εσωτερικό του περιβλήματος και η υπερβολική συσσώρευση κοινοτροποποιημένου μετάλλου μπορεί να εγκυμονεί ηλεκτρικούς κινδύνους.

16. **Μην χειρίζεστε το ηλεκτρικό εργαλείο κοντά σε εύφλεκτα υλικά.** Οι σπινθήρες μπορεί να προκαλέσουν ανάφλεξη των συγκεκριμένων υλικών.

#### **Κλότσημα και σχετικές προειδοποιήσεις**

Το κλότσημα είναι μια ξαφνική αντίδραση λόγω της ή σκαλώματος του περιστρεφόμενου τροχού. Η σύσφιξη ή το σκάλωμα προκαλεί ταχεία απώλεια ελέγχου του περιστρεφόμενου τροχού ο οποίος στη συνέχεια υποχρεώνει το ανεξέλεγκτο ηλεκτρικό εργαλείο σε περιστροφή προς την αντίθετη κατεύθυνση από εκείνη του τροχού στο σημείο εμπλοκής. Για παράδειγμα, εάν ένας λειαντικός τροχός περιέλθει σε σύσφιξη ή σκάλωμα στο τεμάχιο εργασίας, η ακμή του τροχού που εισέρχεται στο υλικό σύσφιξης μπορεί να σκάψει την επιφάνεια του υλικού προκαλώντας την αναπήδηση ή το κλότσημα του τροχού. Ο τροχός μπορεί να αναπηδήσει προς το μέρος του χειριστή ή αντίθετα να απομακρυνθεί από αυτόν, ανάλογα με τη φορά περιστροφής του τροχού στο σημείο σύσφιξης. Υπό αυτές τις συνθήκες, οι λειαντικοί τροχοί μπορεί επίσης να υποστούν θραύση.

Το κλότσημα είναι αποτέλεσμα κακής χρήσης ή/και εσφαλμένων διαδικασιών ή συνθηκών χειρισμού και είναι δυνατόν να αποφευχθεί λαμβάνοντας κατάλληλες προφυλάξεις, όπως περιγράφονται κατωτέρω.

1. **Κρατήστε σταθερά το ηλεκτρικό εργαλείο και τοποθετήστε το σώμα και το βραχίονά σας σε κατάλληλη θέση, ώστε να είναι δυνατόν να προβάλλετε αντίσταση στις δυνάμεις κλότσηματος.** Να χρησιμοποιείτε πάντα βοηθητική λαβή, εάν παρέχεται, για μέγιστο βαθμό ελέγχου του κλότσηματος ή της ροπής αντίδρασης κατά την εκκίνηση. Ο χειριστής μπορεί να ελέγξει τις ροπές αντίδρασης ή τις δυνάμεις κλότσηματος, εάν λαμβάνονται οι κατάλληλες προφυλάξεις.
2. **Μην πηλαιάζετε ποτέ το χέρι σας κοντά στο περιστρεφόμενο εξάρτημα.** Το εξάρτημα μπορεί να αναπηδήσει πάνω στο χέρι σας.
3. **Μην ευθυγραμμίζετε το σώμα σας με τον περιστρεφόμενο τροχό.** Το κλότσημα ωθεί το εργαλείο σε κατεύθυνση αντίθετη από εκείνη της κίνησης του τροχού στο σημείο σκαλώματος.
4. **Δώστε ιδιαίτερη προσοχή όταν εργάζεστε σε γωνίες, κοφτερές ακμές, κλπ. Να αποφεύγετε την αναπήδηση και το σκάλωμα του εξαρτήματος.** Οι γωνίες, οι κοφτερές ακμές ή η αναπήδηση έχουν την τάση να προκαλούν σκάλωμα του περιστρεφόμενου εξαρτήματος και απώλεια ελέγχου ή κλότσημα.
5. **Μην προσαρμόζετε αλισσοπρίνο, λεπίδα ξυλογυπτικής, τμηματικό διαμαντοτροχό με περιφερειακό κενό μεγαλύτερο από 10 mm ή οδοντωτή λεπίδα πριονιού.** Οι λεπίδες αυτού του τύπου προκαλούν συχνά κλότσημα και απώλεια ελέγχου.
6. **Μην προκαλείτε «μάγκωμα» του τροχού και μην ασκείτε υπερβολική πίεση.** Μην επιχειρείτε να δημιουργήσετε τομή υπερβολικού βάθους. Η άσκηση υπερβολικής δύναμης στον τροχό αυξάνει το φορτίο και τη δεκτικότητα σε συστροφή ή εμπλοκή του τροχού εντός της τομής και την πιθανότητα κλότσηματος ή θραύσης του τροχού.

7. Σε περίπτωση εμπλοκής του τροχού ή διακοπής της εργασίας για τη δημιουργία τομής για οποιοδήποτε λόγο, απενεργοποιήστε το ηλεκτρικό εργαλείο και κρατήστε το ακίνητο, έως ότου ο τροχός ακινητοποιηθεί πλήρως. Μην επιχειρήσετε ποτέ να αφαιρέσετε τον τροχό από την τομή, ενώ ο τροχός κινείται, επειδή μπορεί να παρουσιαστεί κλότσημα. Ερευνηστε και λάβετε διορθωτικά μέτρα για να εξαλειφθεί η αιτία εμπλοκής του τροχού.
8. Χρησιμοποιήστε συγκρατητήρες ή παρόμοιο εργαλείο για να στηρίξετε το τεμάχιο εργασίας, όπου είναι εφικτό.
9. Κατά τη λειτουργία, να φοράτε πάντα ωτοασπίδες.
10. Μην κόβετε ξύλινα υλικά με αυτό το εργαλείο.

## ΦΥΛΑΞΤΕ ΑΥΤΕΣ ΤΙΣ ΟΔΗΓΙΕΣ.

**▲ΠΡΟΕΙΔΟΠΟΙΗΣΗ:** ΜΗΝ επιτρέψετε στην άνεση ή στην εξοικειωσή σας με το προϊόν (που αποκτήθηκε από επανειλημμένη χρήση) να αντικαταστήσει την αυστηρή τήρηση των κανόνων ασφαλείας του παρόντος εργαλείου. Η **ΛΑΘΘΑΣΜΕΝΗ ΧΡΗΣΗ** ή η αμέλεια να ακολουθήσετε τους κανόνες ασφαλείας που διατυπώνονται στο παρόν εγχειρίδιο οδηγιών μπορεί να προκαλέσει σοβαρό προσωπικό τραυματισμό.

## Σημαντικές οδηγίες ασφάλειας για κασέτα μπαταριών

8. Μην επαναλάβετε την εργασία δημιουργίας τομής στο τεμάχιο εργασίας. Αφήστε τον τροχό να αποκτήσει μέγιστη ταχύτητα και εισαγάγετε ξανά τον τροχό στην τομή με προσοχή. Ο τροχός μπορεί να παρουσιάσει εμπλοκή, αναπήδηση ή κλότσημα, εάν ενεργοποιησετε το ηλεκτρικό εργαλείο, ενώ βρίσκεται εντός του τεμαχίου εργασίας.
9. Να στηρίζετε τα πάνελ ή οποιοδήποτε υπερμέγεθες τεμάχιο εργασίας, ώστε να ελαχιστοποιηθεί ο κίνδυνος σύσφιξης και κλοσήματος του τροχού. Τα μεγάλα τεμάχια εργασίας τείνουν να παρουσιάζουν κάμψη προς τα κάτω λόγω του βάρους τους. Πρέπει να τοποθετούνται υποστηρίγματα κάτω από το τεμάχιο εργασίας κοντά στη γραμμή κοπής και κοντά στο άκρο του τεμαχίου εργασίας και στις δύο πλευρές του τροχού.
10. Να είστε ιδιαίτερα προσεκτικοί όταν δημιουργείτε μια «τομή-κοιλότητα» σε υπάρχοντες τοίχους ή άλλες τυφλές περιοχές. Ο προεξέχων τροχός μπορεί να κόψει τωλήνες αερίου ή ύδρευσης, ηλεκτρικές καλωδιώσεις ή αντικείμενα που μπορούν να προκαλέσουν κλότσημα.

### Πρόσθετες προειδοποιήσεις ασφαλείας:

1. Πριν χρησιμοποιήσετε τη μηχανικό διαμαντοτροχό, βεβαιωθείτε ότι ο διαμαντοτροχός έχει περιφερειακό κενό μεταξύ των τμημάτων ίσο με 10 mm ή μικρότερο, μόνο με αρνητική γωνία κοπής.
2. Μην επιχειρήσετε ποτέ να κόψετε με το εργαλείο στερεωμένο ανάποδα σε μια μέγανθη. Αυτό μπορεί να προκαλέσει σοβαρά ατυχήματα επειδή είναι εξαιρετικά επικίνδυνο.
3. Μερικά υλικά περιέχουν χημικά που μπορεί να είναι τοξικά. Προσέχετε ώστε να αποφεύγετε την εισπνοή σκόνης και την επαφή με το δέρμα. Ακολουθείτε τα δεδομένα ασφαλείας υλικού που παρέχονται από τον προμηθευτή.
4. Αποθηκεύστε τους τροχούς σύμφωνα με τις συστάσεις του κατασκευαστή. Η λανθασμένη αποθήκευση μπορεί να προκαλέσει ζημιά στους τροχούς.
5. Να χρησιμοποιείτε πάντα τον τροχό που είναι κατάλληλος για την εργασία σας και για το υλικό που θα κοπεί.
6. Εξετάστε το υλικό προς κοπή πριν το κόψετε. Αν το υλικό περιέχει εκρηκτικές ή εύφλεκτες ουσίες, μπορεί να προκαλέσει έκρηξη ή πυρκαγιά.
7. Μην ανάψετε το εργαλείο εάν υπάρχει εμπλοκή ξένου αντικείμενου μεταξύ του προφυλακτήρα και του τροχού. Σε αυτή την περίπτωση, βγάλτε την κασέτα μπαταριών και αφαιρέστε το ξένο αντικείμενο.

1. Πριν χρησιμοποιήσετε την κασέτα μπαταριών, διαβάστε όλες τις οδηγίες και σημειώσεις προφύλαξης (1) στον φορητό μπαταριών, (2) στην μπαταρία και (3) στο προϊόν που χρησιμοποιεί την μπαταρία.
2. Μην αποσυρμολογήσετε ή παραβιάσετε την κασέτα μπαταριών. Μπορεί να έχει ως αποτέλεσμα πυρκαγιά, υπερθέρμανση ή έκρηξη.
3. Εάν ο χρόνος λειτουργίας έχει γίνει υπερβολικά βραχύς, σταματήστε τη λειτουργία αμέσως. Αλλιώς, μπορεί να έχει ως αποτέλεσμα κίνδυνο υπερθέρμανσης, πιθανά εγκαύματα ή ακόμη και έκρηξη.
4. Εάν ηλεκτρολύτης μπει στα μάτια σας, ξεπλύνετε τα με καθαρό νερό και ζητήστε ιατρική φροντίδα αμέσως. Αλλιώς, μπορεί να έχει ως αποτέλεσμα απώλεια της όρασης σας.
5. Μην βραχυκυκλώνετε την κασέτα μπαταριών:
  - (1) Μην αγγίζετε τους πόλους με οτιδήποτε αγώγιμο υλικό.
  - (2) Αποφεύγετε να αποθηκεύετε την κασέτα μπαταριών μέσα σε ένα δοχείο μαζί με άλλα μεταλλικά αντικείμενα όπως καρφιά, νομίσματα, κλπ.
  - (3) Μην εκθέτετε την κασέτα μπαταριών στο νερό ή στη βροχή. Ένα βραχυκύκλωμα μπαταρίας μπορεί να προκαλέσει μεγάλη ροή ρεύματος, υπερθέρμανση, πιθανά εγκαύματα ακόμη και σοβαρή βλάβη.
6. Μην αποθηκεύετε και μην χρησιμοποιείτε το εργαλείο και την κασέτα μπαταριών σε τοποθεσίες όπου η θερμοκρασία μπορεί να φτάσει ή να ξεπεράσει τους 50°C.
7. Μην καίτε την κασέτα μπαταριών ακόμη και εάν έχει σοβαρή ζημιά ή είναι εντελώς φθαρμένη. Η κασέτα μπαταριών μπορεί να εκραγεί στη φωτιά.
8. Μην καρφώσετε, κόψετε, συνθλίψετε, πετάξετε ή ρίξετε κάτω την κασέτα μπαταριών, ούτε να χτυπήσετε ένα σκληρό αντικείμενο επάνω στην κασέτα μπαταριών. Τέτοια συμπεριφορά μπορεί να έχει ως αποτέλεσμα πυρκαγιά, υπερθέρμανση ή έκρηξη.

9. **Μη χρησιμοποιείτε μπαταρία που έχει υποστεί ζημία.**
10. **Οι μπαταρίες ιόντων λιθίου που περιέχονται υπάκουα στις απαιτήσεις της νομοθεσίας για επικίνδυνα αγαθά.**  
Για εμπορικές μεταφορές, για παράδειγμα από τρίτα μέρη, πρέπει να τηρούνται οι διαμεταφορές, οι ειδικές απαιτήσεις στη συσκευασία και η επισήμανση.  
Για προετοιμασία του στοιχείου που αποστέλλεται, είναι απαραίτητο να συμβουλευτείτε έναν ειδικό για επικίνδυνα υλικά. Επίσης, τηρήστε τους πιθανούς, πιο αναλυτικούς εθνικούς κανονισμούς. Καλύψτε με αυτοκόλλητη ταινία ή κρύψτε τις ανοικτές επαφές και συσκευάστε την μπαταρία με τρόπο που να μην μπορεί να μετακινείται μέσα στη συσκευασία.
11. **Όταν απορρίψετε την κασέτα μπαταριών, αφαιρέστε την από το εργαλείο και διαθέστε την σε ένα ασφαλές μέρος. Τηρήστε τους τοπικούς κανονισμούς που σχετίζονται με τη διάθεση της μπαταρίας.**
12. **Χρησιμοποιήστε τις μπαταρίες μόνο με τα προϊόντα που καθορίζει η Makita.** Αν τοποθετήσετε τις μπαταρίες σε μη συμβατά προϊόντα μπορεί να έχει ως αποτέλεσμα πυρκαγιά, υπερβολική θερμότητα, έκρηξη ή διαρροή ηλεκτρολύτη.
13. **Αν δεν χρησιμοποιείτε το εργαλείο για μεγάλο χρονικό διάστημα, πρέπει να βγάλετε την μπαταρία από το εργαλείο.**
14. **Κατά τη διάρκεια και μετά τη χρήση, η κασέτα μπαταριών μπορεί να θερμανθεί, γεγονός που μπορεί να προκαλέσει εγκαύματα ή εγκαύματα από χαμηλή θερμοκρασία. Προσέχετε το χειρισμό των ζεστών κασετών μπαταριών.**
15. **Μην αγγίζετε τον ακροδέκτη του εργαλείου αμέσως μετά τη χρήση επειδή μπορεί να έχει ζεσταθεί αρκετά για να προκαλέσει εγκαύματα.**
16. **Μην αφήνετε θραύσματα, σκόνη ή βρομιά να κολλήσει στους ακροδέκτες, τις οπές και τις εγχοπές της κασέτας μπαταριών. Μπορεί να έχει ως αποτέλεσμα κακή απόδοση ή σπάσιμο του εργαλείου ή της κασέτας μπαταριών.**
17. **Εκτός αν το εργαλείο υποστηρίζει τη χρήση κοντά σε ηλεκτρικές γραμμές υψηλής τάσης, μην χρησιμοποιείτε την κασέτα μπαταριών κοντά σε ηλεκτρικές γραμμές υψηλής τάσης. Μπορεί να έχει ως αποτέλεσμα δυσλειτουργία ή σπάσιμο του εργαλείου ή της κασέτας μπαταριών.**
18. **ΚρΦυλάξτε την μπαταρία μακριά από παιδιά.**

## ΦΥΛΑΞΤΕ ΤΙΣ ΟΔΗΓΙΕΣ ΑΥΤΕΣ.

**▲ ΠΡΟΣΟΧΗ:** Να χρησιμοποιείτε μόνο γνήσιες μπαταρίες της Makita. Η χρήση μη γνήσιων μπαταριών Makita, ή μπαταριών που έχουν τροποποιηθεί, μπορεί να έχει ως αποτέλεσμα τη ρήξη της μπαταρίας, προκαλώντας πυρκαγιά, προσωπικό τραυματισμό και βλάβη. Επίσης, θα ακρωωθεί η εγγύηση της Makita για το εργαλείο και φορτιστή Makita.

## Συμβουλές για τη διατήρηση της μέγιστης ζωής μπαταρίας

1. **Φορτίζετε την κασέτα μπαταριών πριν από την πλήρη αποφόρτιση της. Πάντοτε να σταματάτε τη λειτουργία του εργαλείου και να φορτίζετε την κασέτα μπαταριών όταν παρατηρείτε μειωμένη ισχύ εργαλείου.**
2. **Ποτέ μην επαναφορτίζετε μια πλήρως φορτισμένη κασέτα μπαταριών. Η υπερφόρτιση μειώνει την ωφέλιμη ζωή της μπαταρίας.**
3. **Να φορτίζετε την κασέτα μπαταριών σε θερμοκρασία δωματίου, δηλαδή στους 10°C έως 40°C. Αφήστε μια θερμή κασέτα μπαταριών να κρυώσει πριν την φορτίσετε.**
4. **Όταν δεν χρησιμοποιείτε την κασέτα μπαταριών, αφαιρέστε την από το εργαλείο ή τον φορτιστή.**
5. **Να φορτίζετε την κασέτα μπαταριών εάν δεν τη χρησιμοποιείτε για μεγάλη χρονική περίοδο (περισσότερο από έξι μήνες).**

## ΠΕΡΙΓΡΑΦΗ ΕΞΑΡΤΗΜΑΤΩΝ

► Εικ.1

1	Λειαντικός τροχός κοπής / διαμαντιοτροχός	2	Προφυλακτικής τροχού	3	Χειρολαβή	4	Κάλυμμα (για το διαμέρισμα μπαταρίας)
5	Κουμπί κλειδώματος	6	Γάντζος	7	Λάμπα	8	Κουμπί ελέγχου
9	Ένδειξη μπαταρίας	10	Ένδειξη υπερφόρτωσης	11	Κουμπί λάμπας	12	Σκανδάλη διακοπής
13	Λαβή	14	Είσοδος νερού	15	Στρόφιγγα	16	Κάλυμμα (για ιμάντα σχήματος V)
17	Κουμπί ασφάλισης άξονα	18	Χιτώνιο συνδέσμου	19	Σωληνωτό κλειδί	20	Εξαγωνικό κλειδί

## ΠΕΡΙΓΡΑΦΗ ΛΕΙΤΟΥΡΓΙΑΣ

**⚠ ΠΡΟΣΟΧΗ:** Να φροντίζετε πάντα για την απεργοποίηση του εργαλείου και την αφαίρεση της κασέτας μπαταρίας, πριν από οποιαδήποτε ρύθμιση ή έλεγχο της λειτουργίας του.

### Τοποθέτηση ή αφαίρεση της κασέτας μπαταριών

**⚠ ΠΡΟΣΟΧΗ:** Να σβήνετε πάντα το εργαλείο πριν τοποθετήσετε ή αφαιρέσετε την κασέτα μπαταριών.

**⚠ ΠΡΟΣΟΧΗ:** Κρατήστε το εργαλείο και την κασέτα μπαταριών σταθερά κατά την τοποθέτηση ή αφαίρεση της κασέτας μπαταριών. Εάν δεν κρατάτε το εργαλείο και την κασέτα μπαταριών σταθερά μπορεί να γλιστρήσουν από τα χέρια σας και να προκληθεί βλάβη στο εργαλείο και την κασέτα μπαταριών και προσωπικός τραυματισμός.

Για να τοποθετήσετε την κασέτα μπαταριών, ανοίξτε το κάλυμμα ενώ απασφαλίσετε τον γάντζο. Ευθυγραμμίστε τη γλωττίδα στην κασέτα μπαταριών με την εγκοπή στο περιβλήμα και σύρετέ τη στη θέση της. Τοποθετήστε την μέχρι τέρμα μέχρι να ασφαλίσει στη θέση της, γεγονός που υποδεικνύεται με ένα χαρακτηριστικό ήχο. Αν μπορείτε να δείτε την κόκκινη ένδειξη στην άνω πλευρά του κουμπιού, δεν έχει κλειδώσει τελείως. Αφού τοποθετήσετε ή αφαιρέσετε τις κασέτες μπαταριών, βεβαιωθείτε ότι το κάλυμμα είναι κλειστό και ασφαλισμένο με το γάντζο.

► **Εικ.2:** 1. Κάλυμμα 2. Γάντζος

Για να βγάλετε τις κασέτες μπαταριών, σηκώστε την κασέτα μπαταριών ενώ πατάτε το κουμπί στο μπροστινό μέρος της κασέτας.

► **Εικ.3:** 1. Κόκκινος δείκτης 2. Κουμπί 3. Κασέτα μπαταριών

**⚠ ΠΡΟΣΟΧΗ:** Να τοποθετείτε πάντα την κασέτα μπαταριών πλήρως μέχρι να μη βλέπετε την κόκκινη ένδειξη. Εάν δεν ασφαλιστεί, μπορεί να πέσει από το εργαλείο τυχαία, προκαλώντας σωματική βλάβη σε εσάς ή κάποιον άλλο γύρω σας.

**⚠ ΠΡΟΣΟΧΗ:** Μην τοποθετείτε την κασέτα μπαταριών με βία. Εάν η κασέτα δεν ολισθαίνει με ευκολία, τότε δεν έχει τοποθετηθεί κατάλληλα.

**ΠΑΡΑΤΗΡΗΣΗ:** Το εργαλείο δεν λειτουργεί με μόνο μία κασέτα μπαταριών.

### Εμφάνιση υπολειπόμενης χωρητικότητας μπαταρίας

**Μόνο για κασέτες μπαταρίας με την ενδεικτική λυχνία**

► **Εικ.4:** 1. Ενδεικτικές λυχνίες 2. Κουμπί ελέγχου

Πιέστε το κουμπί ελέγχου στην κασέτα μπαταριών για να υποδείξετε την υπολειπόμενη χωρητικότητα μπαταρίας. Οι ενδεικτικές λυχνίες ανάβουν για λίγα δευτερόλεπτα.

Ενδεικτικές λυχνίες			Υπολειπόμενη χωρητικότητα
Αναμμένες	Σβηστές	Αναβοσβήνουν	
■ ■ ■ ■			75% έως 100%
■ ■ ■ □			50% έως 75%
■ ■ □ □			25% έως 50%
■ □ □ □			0% έως 25%
■ □ □ □	□ □ □ □		Φορτίστε την μπαταρία.
■ ■ □ □	□ □ □ □		Μπορεί να προέκυψε δυσλειτουργία στην μπαταρία.
□ □ ■ ■	□ □ ■ ■		

**ΠΑΡΑΤΗΡΗΣΗ:** Ανάλογα με τις συνθήκες χρήσης και τη θερμοκρασία περιβάλλοντος, η ένδειξη μπορεί να διαφέρει λίγο από την πραγματική χωρητικότητα.

**ΠΑΡΑΤΗΡΗΣΗ:** Η πρώτη (τέρμα αριστερά) ενδεικτική λυχνία θα αναβοσβήνει όταν λειτουργεί το σύστημα προστασίας μπαταρίας.

### Υπόδειξη υπόλοιπης χωρητικότητας μπαταρίας

► **Εικ.5:** 1. Ένδειξη μπαταρίας 2. Κουμπί ελέγχου

Πιέστε το κουμπί ελέγχου για να εμφανιστεί η υπόλοιπη χωρητικότητα της μπαταρίας. Οι ενδείξεις μπαταριών αντιστοιχούν σε κάθε μπαταρία.

Κατάσταση ένδειξης μπαταρίας			Υπολειπόμενη χωρητικότητα μπαταρίας
Αναμμένες	Σβηστές	Αναβοσβήνουν	
			50% έως 100%
			20% έως 50%
			0% έως 20%
			Φορτίστε την μπαταρία

## Σύστημα προστασίας εργαλείου/μπαταρίας

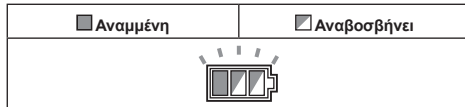
Το εργαλείο είναι εξοπλισμένο με σύστημα προστασίας εργαλείου/μπαταρίας. Αυτό το σύστημα αποκόπτει αυτόματα την ισχύ προς το μοτέρ για να παραταθεί η διάρκεια λειτουργίας του εργαλείου και της μπαταρίας. Το εργαλείο σταματάει αυτόματα κατά τη διάρκεια της λειτουργίας εάν το εργαλείο ή η μπαταρία βρεθούν κάτω από τις παρακάτω συνθήκες. Σε μερικές συνθήκες, οι ενδείξεις ανάβουν.

### Προστασία υπερφόρτωσης

Όταν το εργαλείο/μπαταρία λειτουργεί με τρόπο που προκαλεί την κατανάλωση ενός ασυνήθιστα υψηλού ηλεκτρικού ρεύματος, το εργαλείο σταματάει αυτόματα. Σε αυτή την κατάσταση, σβήστε το εργαλείο και διακόψτε την εφαρμογή που προκαλεί την υπερφόρτωση του εργαλείου. Μετά, ενεργοποιήστε το εργαλείο για επανεκκίνηση.

### Προστασία υπερθέρμανσης

Όταν το εργαλείο υπερθερμανθεί, το εργαλείο σταματάει αυτόματα και η ένδειξη μπαταρίας αναβοσβήνει για περίπου 60 δευτερόλεπτα. Σε αυτή την κατάσταση, αφήστε να μειωθεί η θερμοκρασία του εργαλείου πριν ενεργοποιήσετε ξανά το εργαλείο.



### Προστασία υπερβολικής αποφόρτισης

Όταν μειωθεί η χωρητικότητα μπαταρίας, το εργαλείο σταματάει αυτόματα. Εάν το προϊόν δεν τίθεται σε λειτουργία ακόμα και όταν πραγματοποιείται χειρισμός των διακοπών, βγάλτε τις μπαταρίες από το εργαλείο και φορτίστε τις.

### Ειδοποίηση υπερφόρτωσης

Αν το εργαλείο τεθεί σε λειτουργία με υπερβολικό φόρτο, η ένδειξη υπερφόρτωσης θα αναβοσβήνει με κόκκινο χρώμα. Σε αυτή την κατάσταση, μειώστε το φορτίο στο εργαλείο. Στη συνέχεια, η ένδειξη σταματάει να αναβοσβήνει.

► **Εικ.6:** 1. Ένδειξη υπερφόρτωσης

### Δράση διακόπτη

**▲ ΠΡΟΕΙΔΟΠΟΙΗΣΗ:** Πριν βάλετε την κασέτα μπαταρίας μέσα στο εργαλείο, να ελέγχετε πάντα να δείτε αν η σκανδάλη διακόπτης ενεργοποιείται κανονικά και επιστρέφει στη θέση «OFF» όταν ελευθερώνεται.

**▲ ΠΡΟΕΙΔΟΠΟΙΗΣΗ:** Μην παρακάμπτετε ΠΟΤΕ το κουμπί κλειδώματος συγκρατώντας το πιεσμένο με αυτοκόλλητη ταινία ή άλλο μέσο. Ένας διακόπτης με παραβιασμένο κουμπί κλειδώματος μπορεί να προκαλέσει ακούσια λειτουργία και σοβαρό ατομικό τραυματισμό.

**▲ ΠΡΟΕΙΔΟΠΟΙΗΣΗ:** Μη χρησιμοποιείτε ΠΟΤΕ το εργαλείο αν μπορείτε να το θέσετε σε λειτουργία πιέζοντας απλά τη σκανδάλη διακόπτη, χωρίς να τραβάτε και το κουμπί κλειδώματος. Ένας διακόπτης που απαιτεί επισκευή μπορεί να καταλήξει σε ανεπιθύμητη λειτουργία και την πρόκληση σοβαρού τραυματισμού. Στείλτε το εργαλείο σε κέντρο εξυπηρέτησης της Makita για να το επισκευάσουν σωστά ΠΡΙΝ να χρησιμοποιήσετε ξανά.

Για να μην πιέζεται η σκανδάλη διακόπτης κατά λάθος, παρέχεται ένα κουμπί κλειδώματος. Για να ξεκινήσετε τη λειτουργία του εργαλείου, πατήστε το κουμπί ασφάλισης και τραβήξτε τη σκανδάλη διακόπτη. Αφήστε τη σκανδάλη διακόπτη για να σταματήσει.

► **Εικ.7:** 1. Σκανδάλη διακόπτης 2. Κουμπί ασφάλισης

**ΕΙΔΟΠΟΙΗΣΗ:** Μην τραβήξετε τη σκανδάλη διακόπτη δυνατά χωρίς να πατήσετε το κουμπί κλειδώματος. Μπορεί να σπάσει ο διακόπτης.

### Αναμμα της λάμπας

**▲ ΠΡΟΣΟΧΗ:** Μην κοιτάζετε κατευθείαν μέσα στο φως ή στην πηγή φωτός.

Για να ανάψετε τη λάμπα, πατήστε το κουμπί λάμπας. Για να τη σβήσετε, πατήστε ξανά το κουμπί λάμπας.

► **Εικ.8:** 1. Κουμπί λάμπας 2. Λάμπα

**ΠΑΡΑΤΗΡΗΣΗ:** Η λάμπα θα σβήσει αυτόματα αν δεν εκτελεστεί καμία λειτουργία με το εργαλείο για ένα λεπτό.

## ΣΥΝΑΡΜΟΛΟΓΗΣΗ

**▲ ΠΡΟΣΟΧΗ:** Να βεβαιώνετε πάντα ότι το εργαλείο είναι σβηστό και η κασέτα μπαταρίας έχει αφαιρεθεί πριν εκτελέσετε κάποια εργασία στο εργαλείο.

### Τοποθέτηση ή αφαίρεση του λειαντικού τροχού κοπής / διαμαντοτροχού

**▲ ΠΡΟΣΟΧΗ:** Να χρησιμοποιείτε μόνο το κλειδί της Makita για την τοποθέτηση και αφαίρεση του τροχού.

**▲ ΠΡΟΣΟΧΗ:** Όταν τοποθετείτε τον τροχό, βεβαιωθείτε να σφίξετε καλά το μπουλόνι.

**▲ ΠΡΟΣΟΧΗ:** Μην πατάτε το κουμπί ασφάλισης άξονα όταν ο τροχός περιστρέφεται.

Για να αφαιρέσετε τον τροχό, πατήστε το κουμπί ασφάλισης άξονα και περιστρέψτε τον τροχό μέχρι ο τροχός να μην μπορεί να στραφεί. Ενώ η ασφάλιση άξονα είναι πλήρως κλειδωμένη, περιστρέψτε το εξαγωνικό μπουλόνι αριστερόστροφα με τη βοήθεια του σωληνωτού κλειδιού. Μετά, αφαιρέστε το εξαγωνικό μπουλόνι, την εξωτερική φλάντζα και τον τροχό.

► **Εικ.9:** 1. Κουμπί ασφάλισης άξονα 2. Σωληνωτό κλειδί 3. Σφίξτε 4. Ξεσφίξτε

► **Εικ.10:** 1. Εξαγωνικό μπουλόνι 2. Εξωτερική φλάντζα (μαύρη) 3. Λειαντικός τροχός κοπής / διαμαντοτροχός 4. Εσωτερική φλάντζα (ασημένια) 5. Βέλος (κατεύθυνση περιστροφής του τροχού)

Για να τοποθετήσετε τον τροχό, ακολουθήστε τη διαδικασία αφαίρεσης με αντίστροφη σειρά.

**ΒΕΒΑΙΩΘΕΙΤΕ ΝΑ ΣΦΙΞΕΤΕ ΚΑΛΑ ΤΟ ΕΞΑΓΩΝΙΚΟ ΜΠΟΥΛΟΝΙ.**



**▲ ΠΡΟΣΟΧΗ:** Να τοποθετείτε πάντα τον τροχό ώστε το βέλος σε αυτό να είναι στραμμένο προς την ίδια κατεύθυνση με το βέλος στον προφυλακτήρα τροχού. Διαφορετικά, ο τροχός περιστρέφεται αντίθετα και μπορεί να προκαλέσει προσωπικό τραυματισμό.

**▲ ΠΡΟΣΟΧΗ:** Να χρησιμοποιείτε μόνο τον τροχό που είναι επισήμασμένος με ταχύτητα ίση με ή υψηλότερη από την ταχύτητα που είναι επισήμασμένη στο εργαλείο.

**ΠΑΡΑΤΗΡΗΣΗ:** Αν η εσωτερική φλάντζα αφαιρεθεί κατά λάθος, τοποθετήστε την εσωτερική φλάντζα με τρόπο ώστε η ψηλότερη προεξοχή να είναι στραμμένη προς την πλευρά του εργαλείου όπως απεικονίζεται στην εικόνα.

- **Εικ. 11:** 1. Εξαγωνικό μπουλόνι 2. Εξωτερική φλάντζα (μαύρη) 3. Λειαντικός τροχός κοπή / διαμαντοτροχός 4. Εσωτερική φλάντζα (ασμένια) 5. Προεξοχή (ψηλότερη)

## Σύνδεση στην παροχή νερού

1. Προετοιμάστε έναν εύκαμπο σωλήνα νερού.
2. Αφαιρέστε το παξιμάδι στο χιτώνιο συνδέσμου και περάστε τον εύκαμπο σωλήνα νερού μέσα από το παξιμάδι. Εισαγάγετε το άκρο του εύκαμπτου σωλήνα μέσα στο χιτώνιο συνδέσμου και μετά σφίξτε το παξιμάδι.

► **Εικ. 12:** 1. Εύκαμπτος σωλήνας νερού 2. Παξιμάδι του χιτωνίου συνδέσμου 3. Χιτώνιο συνδέσμου

3. Συνδέστε τον εύκαμπο σωλήνα νερού στην παροχή νερού.

Όταν συνδέετε σε βρύση νερού, χρησιμοποιήστε ένα κατάλληλο προσάρτημα όπως σφικτήρα εύκαμπτου σωλήνα ή ένωση κάνουλας νερού.

► **Εικ. 13:** 1. Σφικτήρας εύκαμπτου σωλήνα 2. Ένωση κάνουλας νερού 3. Εύκαμπτος σωλήνας νερού

**ΠΑΡΑΤΗΡΗΣΗ:** Η σύνδεση εξαρτάται από το σχήμα της βρύσης στην οποία γίνεται η σύνδεση. Προετοιμάστε μια σύνδεση που προμηθευτήκατε στο εμπόριο.

**ΠΑΡΑΤΗΡΗΣΗ:** Αν θέλετε να χρησιμοποιήσετε μια ένωση κάνουλας νερού, προετοιμάστε ένα άλλο χιτώνιο συνδέσμου και συνδέστε το στο άλλο άκρο του εύκαμπτου σωλήνα.

**ΠΑΡΑΤΗΡΗΣΗ:** Όταν χρησιμοποιείτε μια αντλία νερού, ακολουθήστε τις οδηγίες της αντλίας νερού για να συνδέσετε τον εύκαμπο σωλήνα νερού.

4. Σπρώξτε το χιτώνιο συνδέσμου μέσα στην είσοδο νερού μέχρι να ασφαλίσει με ένα χαρακτηριστικό ήχο.

► **Εικ. 14:** 1. Χιτώνιο συνδέσμου 2. Είσοδος νερού 3. Στρόφιγγα

**ΕΙΔΟΠΟΙΗΣΗ:** Διατηρήστε τη στρόφιγγα κλειστή μέχρι να ξεκινήσετε τη λειτουργία κοπής με τροφοδοσία νερού. Για τον τρόπο τροφοδοσίας νερού, ανατρέξτε στην ενότητα για τη λειτουργία.

## ΛΕΙΤΟΥΡΓΙΑ

**▲ ΠΡΟΣΟΧΗ:** Βεβαιωθείτε να κλειδώσετε το κάλυμμα για το διαμέρισμα μπαταρίας πριν τη λειτουργία.

**▲ ΠΡΟΣΟΧΗ:** Κατά τη διάρκεια της λειτουργίας, βεβαιωθείτε να κρατάτε το τεμάχιο εργασίας σταθερά σε έναν στέρεο πάγκο ή τραπέζι.

**▲ ΠΡΟΣΟΧΗ:** Μη συστέρετε και μην εξαναγκάζετε το εργαλείο κατά την κοπή, διαφορετικά το μοτέρ μπορεί να υπερφορτωθεί ή το τεμάχιο εργασίας μπορεί να σπάσει.

## Κοπή

**▲ ΠΡΟΣΟΧΗ:** Κατά τη λειτουργία, μη φέρνετε το εργαλείο πιο ψηλά από το ύψος του ώμου σας.

► **Εικ. 15**

Να κρατάτε το εργαλείο σταθερά. Πιάστε τη λαβή με το δεξί χέρι σας και τη χειρολαβή με το αριστερό χέρι σας. Για να αποφευχθεί η ηλεκτροπληξία λόγω της τυχαίας κοπής ενός ηλεκτρικού καλωδίου, να κρατάτε πάντα τη χειρολαβή από το καθορισμένο τμήμα, όπως απεικονίζεται στην εικόνα.

► **Εικ. 16:** 1. Τμήμα για συγκράτηση

Μετακινήστε το εργαλείο πάνω στην επιφάνεια του τεμαχίου εργασίας, κρατώντας το επίπεδο και προωθώντας ομαλά έως ότου ολοκληρωθεί η τομή. Φροντίστε η γραμμή κοπής να είναι ευθεία και η ταχύτητα προώθησης ομοιόμορφη.

► **Εικ. 17**

**ΠΑΡΑΤΗΡΗΣΗ:** Όταν η θερμοκρασία της κασέτας μπαταριών είναι χαμηλή, το εργαλείο μπορεί να μη λειτουργεί με την πλήρη ικανότητά του. Εάν συμβεί αυτό, για παράδειγμα, χρησιμοποιήστε το εργαλείο για κοπή ελαφράς χρήσης για λίγη ώρα μέχρι η θερμοκρασία της κασέτας μπαταριών να αυξηθεί μέχρι τη θερμοκρασία δωματίου. Μετά, το εργαλείο μπορεί να χρησιμοποιηθεί με την πλήρη ικανότητά του.

**ΠΑΡΑΤΗΡΗΣΗ:** Εάν η αποτελεσματικότητα κοπής του διαμαντοτροχού αρχίσει να μειώνεται, ακονίστε το άκρο κοπής του τροχού χρησιμοποιώντας έναν παλιό άχρηστο τροχό λειαντήρα πάγκου με μεγάλους κόκκους ή τιμμεντένιο τεμάχιο. Ακονίστε πιέζοντας ελαφρά στο εξωτερικό άκρο του διαμαντοτροχού.

## Όταν γίνεται τροφοδοσία νερού κατά την κοπή

**▲ ΠΡΟΣΟΧΗ:** Όταν χρησιμοποιείτε διαμαντοτροχό υγρού τύπου, να τροφοδοτείτε πάντα νερό κατά τη διάρκεια της κοπής.

Συνδέστε το εργαλείο με την παροχή νερού και γυρίστε τη στρόφιγγα προς την κατεύθυνση του βέλους, όπως απεικονίζεται. Προσαρμόστε τη θέση της στρόφιγγας για να έχετε μια απλή ροή νερού.

► **Εικ. 18:** 1. Στρόφιγγα

**▲ ΠΡΟΣΟΧΗ:** Όταν τροφοδοτείτε νερό, να κρατάτε πάντα την κεφαλή του εργαλείου πιο χαμηλά από το σώμα του εργαλείου, ώστε να αποφευχθεί η είσοδος νερού μέσα στον μηχανισμό του εργαλείου. Αν δεν τηρείτε αυτή την οδηγία, μπορεί να προκληθεί ηλεκτροπληξία.

► **Εικ. 19**

## ΣΥΝΤΗΡΗΣΗ

**▲ ΠΡΟΣΟΧΗ:** Πριν την εκτέλεση εργασιών επιθεώρησης ή συντήρησης, πάντοτε να βεβαιώνετε ότι η συσκευή απενεργοποιήθηκε και η κασέτα μπαταριών έχει αφαιρεθεί.

**ΕΙΔΟΠΟΙΗΣΗ:** Μην χρησιμοποιείτε ποτέ βενζίνη, πετρελαϊκό αιθέρα, διαλυτικό, αλκοόλη ή παρόμοιες ουσίες. Μπορεί να προκληθεί αποχρωματισμός, παραμόρφωση ή ρωγμές.

Για τη διατήρηση της ΑΣΦΑΛΕΙΑΣ και ΑΞΙΟΠΙΣΤΙΑΣ του προϊόντος, οι επισκευές και οποιαδήποτε άλλη εργασία συντήρησης ή ρύθμισης πρέπει να εκτελούνται από εξουσιοδοτημένα ή εργοστασιακά κέντρα εξυπηρέτησης της Makita, χρησιμοποιώντας πάντοτε ανταλλακτικά της Makita.

### Καθαρισμός του εργαλείου

Μετά από κάθε χρήση, αφαιρέστε την κασέτα μπαταριών και τον τροχό και, στη συνέχεια, καθαρίστε τη σκόνη, τη βρομιά ή τα μεταλλικά θραύσματα που έχουν συσσωρευτεί μέσα στον προφυλακτήρα τροχού. Καθαρίστε το σώμα του εργαλείου σκουπίζοντας τη σκόνη και τη βρομιά με ένα στεγνό πανί ή ένα πανί διαποτισμένο με σαπουνόνερο αφού πρώτα το έχετε στύψει. Χρησιμοποιήστε ένα στεγνό πανί για να σκουπίσετε τη σκόνη από το φακό της λάμπας. Προσέχετε να μη γρατσουνίσετε το φακό της λάμπας, επειδή μπορεί να μειωθεί η ένταση του φωτισμού.

► **Εικ.20:** 1. Προφυλακτήρας τροχού 2. Φακός λάμπας

### Καθαρισμός των ανοιγμάτων εξαερισμού

Να καθαρίζετε τακτικά τα ανοίγματα εξαερισμού του εργαλείου ή όταν αυτά αρχίσουν να φράσσονται.

► **Εικ.21:** 1. Ανοίγμα εισόδου αέρα 2. Ανοίγμα εξόδου αέρα

### Αλλαγή του ιμάντα σχήματος V

1. Αφαιρέστε την κασέτα μπαταριών και τον τροχό.  
2. Χαλαρώστε τα μπουλόνια εξαγωγικού κοιλώματος χρησιμοποιώντας το εξαγωγικό κλειδί και, στη συνέχεια, αφαιρέστε το κάλυμμα.

► **Εικ.22:** 1. Μπουλόνι εξαγωγικού κοιλώματος  
2. Κάλυμμα

3. Ενώ στρέφετε δυνατά τον ιμάντα σχήματος V με τρόπο ώστε η εσωτερική πλευρά να είναι στραμμένη όπως απεικονίζεται στην εικόνα, γυρίστε το μπουλόνι στην τροχαλία (μεγάλη) δεξιόστροφα χρησιμοποιώντας το σωληνωτό κλειδί.

Ο ιμάντας σχήματος V θα αποκλίσει από την τροχιά και θα βγει καθώς γυρίζετε το μπουλόνι.

► **Εικ.23:** 1. Ιμάντας σχήματος V 2. Τροχαλία (μεγάλη)  
3. Σωληνωτό κλειδί

**ΕΙΔΟΠΟΙΗΣΗ:** Μην περιστρέψετε ποτέ το σωληνωτό κλειδί αριστερόστροφα. Αν το κάνετε αυτό, θα χαλαρώσει το μπουλόνι στην τροχαλία (μεγάλη) και θα έχει ως αποτέλεσμα κακή απόδοση.

4. Γαντζώστε τον καινούργιο ιμάντα σχήματος V στην τροχαλία (μικρή). Τοποθετήστε το άλλο άκρο του ιμάντα σχήματος V στην τροχαλία (μεγάλη) με τρόπο ώστε να είναι μερικώς αγκιστρωμένο στην πιο μπροστινή ράγα της τροχαλίας. (Σε αυτό το στάδιο, δεν πρέπει να αγκιστρώσετε τον ιμάντα σχήματος V σε όλες τις ράγες στην τροχαλία). Μετά από αυτό, γυρίστε το μπουλόνι στην τροχαλία (μεγάλη) δεξιόστροφα χρησιμοποιώντας το σωληνωτό κλειδί.

Ο ιμάντας σχήματος V θα μπει στην τροχιά καθώς γυρίζετε το μπουλόνι.

► **Εικ.24:** 1. Τροχαλία (μικρή) 2. Τροχαλία (μεγάλη)  
3. Σωληνωτό κλειδί

Βεβαιωθείτε ότι όλοι οι οδηγοί στον εσωτερικό κύκλο του ιμάντα σχήματος V ταιριάζουν μέσα στις ράγες στις τροχαλίες. Όλες οι ράγες στην τροχαλία πρέπει να υποστηρίζουν τους οδηγούς στον ιμάντα σχήματος V. Αν υπάρχει μια ράγα που δεν υποστηρίζει τον οδηγό, ο ιμάντας σχήματος V δεν τοποθετείται σωστά.

► **Εικ.25:** 1. Ράγα στην τροχαλία 2. Οδηγός στον ιμάντα σχήματος V

5. Τοποθετήστε το κάλυμμα στο εργαλείο και σφίξτε τα μπουλόνια εξαγωγικού κοιλώματος χρησιμοποιώντας το εξαγωγικό κλειδί.

► **Εικ.26:** 1. Σωλήνας 2. Κάλυμμα 3. Μπουλόνι εξαγωγικού κοιλώματος

**ΕΙΔΟΠΟΙΗΣΗ:** Βεβαιωθείτε ότι ο σωλήνας για την τροφοδοσία νερού βρίσκεται στις θέσεις που απεικονίζονται στην εικόνα, πριν συνδέσετε το κάλυμμα.

# ΑΝΤΙΜΕΤΩΠΙΣΗ ΠΡΟΒΛΗΜΑΤΩΝ

Πριν ζητήσετε επισκευές, εκτελέστε αρχικά τη δική σας επιθεώρηση. Αν εντοπίσετε πρόβλημα που δεν επεξηγείται στο εγχειρίδιο, μην επιχειρήσετε να αποσυναρμολογήσετε το εργαλείο. Αντ' αυτού, ζητήστε βοήθεια από εξουσιοδοτημένα κέντρα εξυπηρέτησης της Makita και πάντοτε να χρησιμοποιείτε γνήσια ανταλλακτικά της Makita.

Κατάσταση προβλήματος	Πιθανή αιτία (δυσλειτουργία)	Αποκατάσταση
Το μοτέρ δεν λειτουργεί.	Οι κασέτες μπαταριών δεν είναι τοποθετημένες.	Τοποθετήστε δύο κασέτες μπαταριών. Το εργαλείο αυτό δεν λειτουργεί με μία κασέτα μπαταριών.
	Πρόβλημα μπαταριών (μικρή τάση)	Επαναφορτίστε την μπαταρία. Αν η επαναφόρτιση δεν είναι αποτελεσματική, αντικαταστήστε την κασέτα μπαταριών.
	Το σύστημα μετάδοσης κίνησης δεν λειτουργεί σωστά.	Απευθυνθείτε στο τοπικό εξουσιοδοτημένο κέντρο σέρβις για επισκευή.
Το μοτέρ σταματά να λειτουργεί μετά από μικρή χρήση.	Το επίπεδο φόρτισης μπαταρίας είναι χαμηλό.	Επαναφορτίστε την μπαταρία. Αν η επαναφόρτιση δεν είναι αποτελεσματική, αντικαταστήστε την κασέτα μπαταριών.
	Υπερθέρμανση.	Σταματήστε να χρησιμοποιείτε το εργαλείο για να το αφήσετε να κρυώσει.
Η περιστροφή του τροχού δεν επιταχύνεται σωστά ακόμη και αφού θέσετε το εργαλείο σε λειτουργία χωρίς φορτίο για 20 δευτερόλεπτα.	Η μπαταρία δεν είναι σωστά τοποθετημένη.	Τοποθετήστε την κασέτα μπαταριών όπως περιγράφεται σε αυτό το εγχειρίδιο.
	Η ισχύς της μπαταρίας πέφτει.	Επαναφορτίστε την κασέτα μπαταριών. Αν η επαναφόρτιση δεν είναι αποτελεσματική, αντικαταστήστε την κασέτα μπαταριών.
	Ο ιμάντας σχήματος V γλιστράει.	Αντικαταστήστε τον ιμάντα σχήματος V με έναν καινούργιο.
	Το σύστημα μετάδοσης κίνησης δεν λειτουργεί σωστά.	Απευθυνθείτε στο τοπικό εξουσιοδοτημένο κέντρο σέρβις για επισκευή.
Ο τροχός δεν περιστρέφεται: ⇒ Σταματήστε αμέσως το μηχάνημα!	Ο ιμάντας σχήματος V γλιστράει.	Αντικαταστήστε τον ιμάντα σχήματος V με έναν καινούργιο.
	Υπάρχει εμπλοκή ξένου αντικείμενου μεταξύ του προφυλακτήρα και του τροχού.	Αφαιρέστε την κασέτα μπαταριών και, στη συνέχεια, αφαιρέστε το ξένο αντικείμενο.
	Το σύστημα μετάδοσης κίνησης δεν λειτουργεί σωστά.	Απευθυνθείτε στο τοπικό εξουσιοδοτημένο κέντρο σέρβις για επισκευή.
Ασυνήθιστοι κραδασμοί: ⇒ Σταματήστε αμέσως το μηχάνημα!	Λανθασμένη προσαρτήση του τροχού.	Τοποθετήστε τον τροχό σύμφωνα με τις οδηγίες σε αυτό το εγχειρίδιο. Σφίξτε το μπουλόνι για να ασφαλίσετε καλά τον τροχό.
	Το σύστημα μετάδοσης κίνησης δεν λειτουργεί σωστά.	Απευθυνθείτε στο τοπικό εξουσιοδοτημένο κέντρο σέρβις για επισκευή.
Το κοπτικό εργαλείο και το μοτέρ δεν σταματούν: ⇒ Βγάλτε αμέσως την κασέτα μπαταριών!	Ηλεκτρική ή ηλεκτρονική δυσλειτουργία.	Βγάλτε την κασέτα μπαταριών και απευθυνθείτε στο τοπικό εξουσιοδοτημένο κέντρο σέρβις για επισκευή.
Κακή απόδοση κοπής	Πρέπει να αντικαταστήσετε τον τροχό.	Αντικαταστήστε τον τροχό με έναν καινούργιο.
Υπάρχουν διαρροές νερού στην είσοδο.	Υπάρχουν διαρροές νερού στο τμήμα του στρογγυλού δακτυλίου.	Απευθυνθείτε στο τοπικό εξουσιοδοτημένο κέντρο εξυπηρέτησης για επισκευή.

## ΠΡΟΑΙΡΕΤΙΚΑ ΕΞΑΡΤΗΜΑΤΑ

**⚠ ΠΡΟΣΟΧΗ:** Αυτά τα εξαρτήματα ή προσαρτήματα συνιστώνται για χρήση με το εργαλείο Makita που περιγράφηκε στις οδηγίες αυτές. Η χρήση οποιωνδήποτε άλλων εξαρτημάτων ή προσαρτημάτων μπορεί να προκαλέσει κίνδυνο τραυματισμού σε άτομα. Να χρησιμοποιείτε τα εξαρτήματα ή προσαρτήματα μόνο για την χρήση που προορίζονται.

Εάν χρειάζεστε οποιαδήποτε βοήθεια για περισσότερες πληροφορίες σε σχέση με αυτά τα εξαρτήματα, απευθυνθείτε στο τοπικό σας κέντρο εξυπηρέτησης Makita.

- Λειαντικός τροχός κοπής
- Διαμαντοτροχός

- Ιμάντας σχήματος V
- Χιτώνιο συνδέσμου
- Σύνολο φλάντζας 60 (ειδικό της χώρας)
- Σωληνωτό κλειδί
- Εξαγωνικό κλειδί
- Γνήσια μπαταρία και φορτιστής της Makita

**ΠΑΡΑΤΗΡΗΣΗ:** Μερικά στοιχεία στη λίστα μπορεί να συμπεριλαμβάνονται στη συσκευασία εργαλείου ως στάνταρ εξαρτήματα. Μπορεί να διαφέρουν ανάλογα με τη χώρα.

## TEKNİK ÖZELLİKLER

Model:	DCE090
Disk çapı	230 mm
Maks. disk kalınlığı	3,0 mm
Maks. kesim derinliği	88 mm
Nominal hız	6.600 min <sup>-1</sup>
Belirlenmiş voltaj	D.C. 36 V
İzin verilen maks. besleme suyu basıncı	5,0 bar
Tam uzunluk	554 mm
Net ağırlık	5,6 - 6,3 kg

- Sürekli yapılan araştırma ve geliştirmelerden dolayı, burada belirtilen özellikler önceden bildirilmeksizin değiştirilebilir.
- Özellikler ülkeden ülkeye değişebilir.
- Ağırlık, ekli aksesuara/aksesuarlara ve batarya kartuşuna bağlı olarak farklılık gösterebilir. EPTA-Prosedürü 01/2014'e göre en hafif ve en ağır kombinasyonlar tabloda verilmiştir.

### Geçerli batarya kartuşu ve şarj aleti

Batarya kartuşu	BL1815N / BL1820 / BL1820B / BL1830 / BL1830B / BL1840 / BL1840B / BL1850 / BL1850B / BL1860B
Şarj aleti	DC18RC / DC18RD / DC18RE / DC18SD / DC18SE / DC18SF / DC18SH

- Yukarıda listelenen batarya kartuşlarının ve şarj aletlerinin bazıları yaşadığımız bölgeye bağlı olarak mevcut olmayabilir.

**UYARI:** Sadece yukarıda listelenen batarya kartuşlarını ve şarj aletlerini kullanın. Başka batarya kartuşlarının ve şarj aletlerinin kullanılması yaralanma ve/veya yangına neden olabilir.

### Kullanım amacı

Bu alet uygun aşındırıcı kesme diski ile metal malzemeleri ve ayrıca elmas disk ile duvar malzemelerini kesmek için tasarlanmıştır.

### Gürültü

Tipik A-ağırlıklı gürültü düzeyi (EN60745-2-22 standardına göre belirlenen):

Ses basınç seviyesi ( $L_{pA}$ ): 103 dB (A)

Ses gücü düzeyi ( $L_{WA}$ ): 114 dB (A)

Belirsizlik (K): 3 dB (A)

**NOT:** Beyan edilen gürültü emisyonu değer(ler)i bir standart test yöntemine uygun şekilde ölçülmüştür ve bir alet bir başkasıyla karşılaştırmak için kullanılabilir.

**NOT:** Beyan edilen gürültü emisyonu değer(ler)i bir ön maruz kalma değerlendirmesi olarak da kullanılabilir.

**UYARI:** Kulak koruyucuları takın.

**UYARI:** Elektrikli aletin gerçek kullanımı sırasındaki gürültü emisyonu, aletin kullanım biçimlerine, özellikle işlenen iş parçasının türüne bağlı olarak beyan edilen değer(ler)den farklı olabilir.

**UYARI:** Gerçek kullanım koşullarındaki tahmini maruziyeti baz alan, operatörü koruyacak güvenlik önlemlerini mutlaka belirleyin (çalışma döngüsü içerisinde aletin kapalı olduğu ve aktif durumda olmasının yanı sıra boşta çalıştığı zamanlar gibi, bütün zaman dilimleri göz önünde bulundurarak).

## Titreşim

Çalışma modu: beton kesme

Sol el		Sağ el		Geçerli standart
$a_{h,w}$ (m/s <sup>2</sup> )	Belirsizlik K (m/s <sup>2</sup> )	$a_{h,w}$ (m/s <sup>2</sup> )	Belirsizlik K (m/s <sup>2</sup> )	
5,9	1,5	4,0	1,5	EN60745-2-22

**NOT:** Beyan edilen titreşim toplam değer(ler)i bir standart test yöntemi uygun şekilde ölçülmüştür ve bir aleti bir başkasıyla karşılaştırmak için kullanılabilir.

**NOT:** Beyan edilen titreşim toplam değer(ler)i bir ön maruz kalma değerlendirmesi olarak da kullanılabilir.

**⚠UYARI:** Elektrikli aletin gerçek kullanımı sırasındaki titreşim emisyonu, aletin kullanım biçimlerine, özellikle işlenen iş parçasının türüne bağlı olarak beyan edilen değer(ler)den farklı olabilir.

**⚠UYARI:** Gerçek kullanım koşullarındaki tahmini maruziyeti baz alan, operatörü koruyacak güvenlik önlemlerini mutlaka belirleyin (çalışma döngüsü içerisinde aletin kapalı olduğu ve aktif durumda olmasının yanı sıra boşta çalıştığı zamanlar gibi, bütün zaman dilimleri göz önünde bulundurarak).

## EC Uygunluk Beyanı

### Sadece Avrupa ülkeleri için

EC uygunluk beyanı bu kullanım kılavuzuna Ek A olarak eklenmiştir.

## GÜVENLİK UYARILARI

### Genel elektrikli alet güvenliği uyarıları

**⚠UYARI:** Bu elektrikli aletle birlikte sunulan tüm güvenlik uyarılarını, talimatları, çizimleri ve teknik özellikleri okuyun. Aşağıda verilen talimatlara uyulmaması elektrik şoku, yangın ve/veya ciddi yaralanmalar ile sonuçlanabilir.

## Tüm uyarıları ve talimatları iletiride başvurmak için saklayın.

Uyarılardaki "elektrikli alet" terimi ile ya prizden çalışan (kordonlu) elektrikli aletiniz ya da kendi aküsü ile çalışan (kordsuz) elektrikli aletiniz kastedilmektedir.

## Kablosuz kesme makinasıyla ilgili güvenlik uyarıları

- Aletle birlikte sağlanan siper, elektrikli alete sıkıca sabitlenmeli ve operatörü diskten olabildiğince korumak için en yüksek güvenliği sağlayacak şekilde konumlandırılmalıdır. Kendinizi ve etrafınızdaki diğer kişileri dönen diskin düzleminde uzak tutun. Siper, operatörü kırık disk parçalarından ve diske kazayla temas etmekten korur.**
- Elektrikli aletiniz için sadece bağlı takviyeli veya imas kesme diskleri kullanın. Bir aksesuarın elektrikli aletinize takılabilir olması, tek başına onun güvenli çalışacağını garanti etmez.**
- Aksesuarın nominal hızı en azından elektrikli aletin üstünde belirtilen maksimum hıza eşit olmalıdır. Nominal hızlarından daha hızlı çalışan aksesuarlar kırılabilir ve fırlayabilir.**
- Diskler sadece tavsiye edilen uygulamalar için kullanılmalıdır. Örneğin: kesme diskinin yan tarafıyla taşlama yapmayın. Aşındırıcı kesme diskleri periferik taşlama için tasarlanmıştır, bu disklere yandan baskı uygulanması çatlaklarına neden olabilir.**
- Daima, seçtiğiniz diskiniz için doğru çapta, hasarsız flaşlar kullanın. Doğru disk flaşları diski destekleyerek, disk kırılması olasılığını azaltır.**
- Daha büyük elektrikli aletlerin aşımaraak küçülmüş takviyeli disklerini kullanmayın. Daha büyük elektrikli aletler için tasarlanmış diskler küçük aletlerin daha yüksek hızlarına uygun olmayabilir ve parçalanabilir.**
- Aksesuarınızın dış çapı ve kalınlığı elektrikli aletinizin kapasite derecelendirmesi dahilinde olmalıdır. Doğru boyutta olmayan aksesuarlar yeterince korunamayabilir veya kontrol edilemeyebilir.**
- Disklerin ve flaşların malafa deliği boyutları elektrikli aletin miline tam olarak uymalıdır. Malafa delikleri elektrikli alette monte edildiği donanıma uymayan diskler ve flaşlar dengesiz döner, aşırı titreşim yapar ve kontrolden çıkabilir.**
- Hasarlı diskleri kullanmayın. Her kullanımdan önce, disklerde çentik ve çatlak kontrolü yapın. Eğer elektrikli alet veya disk düşürülürse, hasar muayenesi yapın veya hasarsız diski takın. Bir diski muayene ettikten ve taktikten sonra, kendinizi ve etrafınızdaki kişileri döner diskin düzleminde uzak tutun ve elektrikli aleti bir dakika kadar maksimum yüksüz hızda çalıştırın. Bu test çalıştırması sırasında hasarlı diskler normal olarak parçalanır.**
- Kişisel koruyucu donanım kullanın. Uygulamaya bağlı olarak yüz siperleri veya günlük gözlükleri kullanın. Uygun görüldüğü şekilde toz maskesi, kulak koruyucuları, eldiven ve aşındırıcı diskten veya iş parçasından kopan küçük parçaları durdurabilecek iş önlüğü takın. Göz koruyucuları çeşitli işlemlerin üreteceği uçan kırıntıları durdurabilecek nitelikte olmalıdır. Toz maskesi veya solunum cihazı yaptığımız işlemin üreteceği küçük parçacıkları süzebilecek nitelikte olmalıdır. Uzun süre yüksek yoğunlukta gürültüye maruz kalmak işitme kaybına neden olabilir.**
- Etrafınızdaki kişileri çalışma alanından güvenli bir uzaklıkta tutun. Çalışma alanına giren herkes kişisel koruyucu donanım kullanmalıdır. Kırılan bir diskin veya iş parçasının kırıkları uzağa fırlayıp, çalışma yerinin ötesinde yaralanmalara neden olabilir.**

12. **Kesici aksesuarın görünmeyen kablolarla temas etme olasılığı bulunan yerlerde çalışırken elektrikli aleti yalıtımlı kavrama yüzeylerinden tutun.** Kesici aksesuarın "akımlı" bir telle temas etmesi elektrikli aletin yalıtımsız metal kısımlarını "akımlı" hale getirebilir ve kullanıcıyı elektrik şokuna maruz bırakabilir.
13. **Aksesuar tamamen durmadan önce elektrikli aleti kesinlikle yere koymayın.** Döner disk yere sürtünüp, elektrikli aletin kontrolünüz dışında fırlamasına neden olabilir.
14. **Elektrikli aleti yanınızda taşıırken çalıştırmayın.** Giysilerinizin kazayla döner aksesuara temas etmesi sonucu giysinizin takılarak aksesuarı vücudunuza doğru çekebilir.
15. **Elektrikli aletin havalandırma deliklerini düzenli olarak temizleyin.** Motorun fanı tozu gövdenin içine çeker ve aşırı toz metal birikimi elektrik tehlikelerine neden olabilir.
16. **Elektrikli aleti tutuşabilen malzemelerin yakınında kullanmayın.** Kivılcıklar bu malzemeleri tutuşturabilir.

### Geri tepme ve ilgili uyarılar

Geri tepme döner diskin sıkışmasına veya takılmasına ani bir tepkidir. Sıkışma veya takılma döner diskin aniden durmasına ve bu da elektrikli aletin tutukluk noktasında diskin dönme yönünün tersi doğrultuda kontrolsüz şekilde itilmesine neden olur.

Örneğin, eğer bir aşındırıcı disk iş parçasına takılır veya sıkışsa, sıkışma noktasına giren diskin kenarı malzeme yüzeyine batarak, diskin dışarı tırmanmasına veya geri tepmesine neden olabilir. Disk, sıkışma noktasında diskin hareket yönüne bağlı olarak operatöre veya ondan uzağa doğru sıçrayabilir. Bu koşullarda aşındırıcı diskler kırılabilir de. Geri tepme elektrikli aletin başka amaçla kullanılmasının ve/veya yanlış kullanımı usulleri veya koşullarının bir sonucudur ve aşağıda belirtildiği gibi doğru önlemlerle önlenir.

1. **Elektrikli aleti daima sıkıca kavrayın ve vücudunuzun ve kolunuzun duruşunu geri tepme kuvvetlerine direnç göstereceği şekilde ayarlayın.** İlk çalıştırma sırasında geri tepme veya etkisi üzerinde maksimum kontrol sağlamak için, eğer varsa, daima yardımcı kolu kullanın. Eğer doğru önlemler alınır, operatör tork etkilerini veya geri tepme kuvvetlerini kontrol edebilir.
2. **Elinizi asla döner aksesuarın yakınına koymayın.** Aksesuar elinizin üstüne doğru geri tepebilir.
3. **Vücudunuzu dönen diskle aynı hızda tutmayın.** Geri tepme, takılma noktasında aleti diskin hareketinin tersi yönde iter.
4. **Köşeler, keskin kenarlar vb. üzerinde çalışırken çok dikkatli olun.** Aksesuarın sallanmasını veya takılmasını önleyin. Köşelerde, keskin kenarlarda veya zıplama halinde döner aksesuarın takılma eğilimi vardır ve kontrol kaybına veya geri tepmeye neden olur.
5. **Zincir testere, oyma bıçağı, 10 mm'den fazla periferik boşluklu segmentli elmas disk ya da dişli testere bıçağı takmayın.** Bu bıçaklar sıkça geri tepme ve kontrol kaybı yaratır.
6. **Diski "sıkıştırmayın" ya da aşırı basınç uygulamayın.** Aşırı derinlikte bir kesme yapmaya çalışmayın. Diskin aşırı zorlanması yükü ve diskin kesik içinde bükülme veya takılma olasılığını arttırarak, geri tepmeye veya diskin kırılmasına neden olabilir.

7. **Disk takıldığı veya herhangi bir nedenle kesmeyi durdurduğu zaman, elektrikli aleti kapatın ve disk tamamen duruncaya kadar elektrikli aleti hareketsiz şekilde tutun.** Disk hareket halindeyken onu kesinlikle kesikten çıkarmaya çalışmayın aksi takdirde geri tepme oluşabilir. Diskin takılma nedenini araştırıp, ortadan kaldırmak için düzeltici işlemleri yapın.
8. **İş parçasında kesme işlemine yeniden başlamayın.** Diskin tam hıza ulaşmasını bekleyin ve dikkatli şekilde tekrar kesişe geçirin. Elektrikli alet iş parçası içinde tekrar çalıştırılırsa, disk takılabilir, yukarı tırmanabilir veya geri tepebilir.
9. **Diskin takılması ve geri tepme riskini en aza indirmek için panelleri ve çok büyük iş parçalarını destekleyin.** Büyük iş parçaları kendi ağırlıkları altında bel vermeye meyillidir. Destekler diskin her iki yanında kesme hattına ve iş parçasının kenarına yakın olarak, iş parçasının altına yerleştirilmelidir.
10. **Mevcut duvarların veya diğer kör alanların içine "cep kesme" yaparken daha fazla dikkat gösterin.** Fazla ileri giden disk; gaz veya su borularını, elektrik kablolarını veya geri tepmeye neden olabilecek nesnelere kesebilir.

### Ek Güvenlik Uyarıları:

1. **Segmentli bir elmas disk kullanmadan önce, elmas diskin segmentleri arasında sadece negatif bir talaş açısı ile 10 mm veya daha az periferik boşluk olduğundan emin olun.**
2. **Alet mengine ters olarak tutulmuş şekilde kesim yapmaya çalışmayın.** Bu çok tehlikeli bir davranış olur ve ciddi kazalara yol açabilir.
3. **Bazı malzemeler zehirli olabilen kimyasallar içerir.** Toz yutmayı ve cilt temasını önlemek için tedbir alın. Malzeme sağlayıcısının güvenlik bilgilerine uyun.
4. **Diskleri üretici tavsiyelerine uygun olarak muhafaza edin.** Uygun olmayan muhafaza disklere zarar verebilir.
5. **Daima işinize ve kesilecek malzemeye uygun disk kullanın.**
6. **Kesmeden önce kesilecek malzemeyi inceleyin.** Malzemede patlayıcı veya yanıcı maddeler varsa patlamaya veya yangına neden olabilir.
7. **Siper ile disk arasına yabancı madde sıkışırsa aleti açmayın.** Bu durumda, bataryaya kartuşunu ayırın ve yabancı maddeyi çıkarın.
8. **Mümkün olan her durumda iş parçasını mengine veya benzerlerini kullanarak destekleyin.**
9. **Kesme sırasında daima kulak tıkaçı takın.**
10. **Bu aletle ahşap malzemeleri kesmeyin.**

## BU TALİMATLARI MUHAFAZA EDİNİZ.

**⚠UYARI:** Ürünü kullanırken (defalarca kullanınca kazanılır) rahatlık ve tanıdıklık duygusunun ilgili ürünün güvenlik kurallarına sıkı sıkıya bağlı kalmanın yerine geçmesine İZİN VERMEYİN. YANLIŞ KULLANIM veya bu kullanma kılavuzunda belirtilen emniyet kurallarına uymama ciddi yaralanmaya neden olabilir.

## Batarya kartuşu hakkında önemli güvenlik talimatları

1. Batarya kartuşunu kullanmadan önce, tüm talimatları ve (1) batarya kartuşu, (2) batarya ve (3) ürün üzerindeki tüm uyarı işaretlerini okuyun.
2. Batarya kartuşunu parçalarına ayırmayın veya kurcalamayın. Yangın, aşırı ısı veya patlamaya neden olabilir.
3. Çalışma süresi aşırı derecede kısalmışsa kullanmayı derhal bırakın. Aşırı ısınma, yanma riski hatta patlamaya neden olabilir.
4. Gözünüze elektrolit kaçarsa, gözlerinizi temiz suyla durulayın ve hemen tıbbi yardım alın. Görme kaybına yol açabilir.
5. Batarya kartuşuna kısa devre yaptırmayın:
  - (1) Terminallere herhangi bir iletken madde değdirmeyin.
  - (2) Batarya kartuşunu çiviler, madeni paralar, vb. gibi başka metal nesnelere aynı kaba koymaktan kaçının.
  - (3) Batarya kartuşunu yağmura ya da suya maruz bırakmayın.Kısa devre, büyük bir akım akışına, aşırı ısınmaya, olası yanıklara hatta bataryanın bozulmasına yol açabilir.
6. Aleti ve batarya kartuşunu sıcaklığın 50°C ya da daha yükseğe ulaştığı yerlerde saklamayın ve kullanmayın.
7. Aşırı derecede hasar görmüş ya da tamamen kullanılamaz durumda olsa bile batarya kartuşunu yakmayın. Batarya kartuşu ateşe atılırsa patlayabilir.
8. Batarya kartuşunu çivilemeyin, kesmeyin, ezmeyin, fırlatmayın, düşürmeyin ya da batarya kartuşuna sert bir nesne ile vurmayın. Bu eylemler yangın, aşırı ısı veya patlamaya neden olabilir.
9. Hasarlı bataryayı kullanmayın.
10. Aletin içerdiği lityum-iyon bataryalar Tehlikeli Eşyalar Yönetmeliğinin gereksinimlerine tabidir. Ticari nakliye işlemleri için, örneğin üçüncü taraflar, nakliye acenteleri tarafından yapılan nakliyelerde, paketleme ve etiketleme gereksinimlerine uyulmalıdır. Nakliyesi yapılacak ürünün hazırlanması için, tehlikeli maddeler konusunda uzman bir kişiye danışın. Lütfen muhtemelen daha ayrıntılı olan ulusal yönetmeliklere de uyun. Açık kontakları bantlayın ya da maskeleyin ve bataryayı paketin içinde hareket etmeyecek şekilde paketleyin.
11. Batarya kartuşunu bertaraf ederken aletten çıkarın ve güvenli bir yerde bertaraf edin. Bataryanın bertaraf edilmesi ile ilgili yerel düzenlemelere uyunuz.

12. Bataryaları sadece Makita tarafından belirtilen ürünlerle kullanın. Bataryaların uyumsuz ürünlere takılması; yangın, aşırı ısınma, patlama ya da elektrolit sızıntısına neden olabilir.
13. Alet uzun süre kullanılmıyacaksa batarya aletten çıkarılmalıdır.
14. Kullanma sırasında ve sonrasında batarya kartuşu ısınarak yanıklara veya düşük sıcaklık yanıklarına yol açabilir. Sıcak batarya kartuşları ile işlem yaparken dikkat edin.
15. Yanıklara neden olabilecek kadar sıcak olabileceğinden kullandığınız hemen sonra aletin terminaline dokunmayın.
16. Batarya kartuşunun terminallerine, deliklerine ve kanallarına micir, toz veya toprak girmesine izin vermeyin. Aletin veya batarya kartuşunun zayıf performans göstermesine veya bozulmasına neden olabilir.
17. Alet yüksek gerilim elektrik güç hatları yakınında kullanımı desteklemediği sürece batarya kartuşunu yüksek gerilim elektrik güç hatlarının yakınında kullanmayın. Aletin veya batarya kartuşunun arızalanmasına veya bozulmasına neden olabilir.
18. Bataryayı çocuklardan uzak tutun.

## BU TALİMATLARI MUHAFAZA EDİNİZ.

**⚠DİKKAT:** Sadece orijinal Makita bataryalarını kullanın. Orijinal olmayan Makita bataryaları ya da üzerine değişiklik yapılmış bataryaların kullanımı bataryanın patlamasına ve sonuç olarak yangın, kişisel yaralanma ve hasara neden olabilir. Ayrıca Makita aleti ve şarj aletinin Makita tarafından sunulan garantisini geçersiz olur.

## Maksimum batarya ömrü için ipuçları

1. Batarya kartuşunu tamamen boşalmadan önce şarj edin. Aletin gücünün zayıflamasına başladığını fark ettiğinizde aleti durdurun ve batarya kartuşunu şarj edin.
2. Tam dolu bir batarya kartuşunu asla yeniden şarj etmeyin. Aşırı şarj etme bataryanın hizmet ömrünü kısaltır.
3. Batarya kartuşunu 10°C - 40°C oda sıcaklığında şarj edin. Sıcak bir batarya kartuşunu şarj etmeden önce soğumasını bekleyin.
4. Batarya kartuşunu kullanmıyorken aletten veya şarj aletinden çıkarın.
5. Uzun bir süre (altı aydan daha fazla) kullanmadığınız durumlarda batarya kartuşunu şarj edin.

## PARÇALARIN TANIMI

### ► Şek.1

1	Aşındırıcı kesme disk / elmas disk	2	Disk siperi	3	Kavrama kolu	4	Kapak (batarya bölmesi için)
5	Güvenlik kilidi düğmesi	6	Kanca	7	Lamba	8	Kontrol düğmesi
9	Batarya göstergesi	10	Aşırı yük göstergesi	11	Lamba düğmesi	12	Anahtar tetik
13	Tutamak	14	Su girişi	15	Musluk	16	Kapak (V kayışı için)
17	Şaft kilidi düğmesi	18	Bağlantı manşonu	19	Lokma anahtarı	20	Altgen anahtar

# İŞLEVSEL NİTELİKLER

**⚠ DİKKAT:** Alet üzerinde ayarlama veya işleyiş kontrolü yapmadan önce aletin kapalı ve batarya kartuşunun ayrılmış olduğundan daima emin olun.

## Batarya kartuşunun takılması ve çıkarılması

**⚠ DİKKAT:** Batarya kartuşunu takmadan ya da çıkarmadan önce aleti daima kapatın.

**⚠ DİKKAT:** Batarya kartuşunu takarken veya çıkarırken aleti ve batarya kartuşunu sıkıca tutun. Aletin ve batarya kartuşunun sıkıca tutulmaması bunların düşürülmesine sebep olabilir ve alet ve batarya kartuşunun zarar görmesine ya da ciddi yaralanmasına yol açabilir.

Batarya kartuşunu takmak için kancayı serbest bırakarak kapağı açın. Batarya kartuşu üstündeki dili yuvadaki olukla hizalayın ve yerine kaydırın. Hafif bir tık sesi duyulana kadar itip yerine tam oturmasını sağlayın. Düğmenin üst tarafındaki kırmızı göstere görünüyorsa tam yerine kilitlenmemiş demektir. Batarya kartuşlarını taktikten veya çıkardıktan sonra kapağın kapandığından ve kanca ile kilitlendiğinden emin olun.

► **Şek.2:** 1. Kapak 2. Kanca

Batarya kartuşlarını çıkarmak için kartuşun ön kısmındaki düğmeye bastırarak batarya kartuşunu kaldırın.

► **Şek.3:** 1. Kırmızı göstere 2. Düğme 3. Batarya kartuşu

**⚠ DİKKAT:** Batarya kartuşunu daima kırmızı göstere görünmeyecek şekilde tam olarak takın. Yerine tam oturmazsa, aletten yanlışlıkla düşebilir, sizin ya da çevrenizdeki kişilerin yaralanmasına neden olabilir.

**⚠ DİKKAT:** Batarya kartuşunu zorlayarak takmayın. Kartuş kolay bir şekilde kaymıyorsa doğru yerleştirilmemiş demektir.

**NOT:** Alet sadece bir batarya kartuşu ile çalışmaz.

## Kalan batarya kapasitesinin gösterilmesi

**Sadece göstergeli batarya kartuşları için**

► **Şek.4:** 1. Göstere lambaları 2. Kontrol düğmesi

Kalan batarya kapasitesini göstermesi için batarya kartuşu üzerindeki kontrol düğmesine basın. Göstere lambaları birkaç saniye yanar.

Göstere lambaları			Kalan kapasite
Yanıyor	Kapalı	Yanıp sönüyor	
■	□	▬	%75 ila %100
■	■	□	%50 ila %75
■	■	□	%25 ila %50
■	□	□	%0 ila %25
▬	□	□	Bataryayı şarj edin.
■	■	□	Batarya arızalanmış olabilir.
□	□	■	

**NOT:** Kullanım koşullarına ve ortam sıcaklığına bağlı olarak, gösterilen değer gerçek kapasiteden biraz farklılık gösterebilir.

**NOT:** İlk (en soldaki) göstere lambası, batarya koruma sistemi çalıştığında yanıp söner.

## Kalan batarya kapasitesinin gösterilmesi

► **Şek.5:** 1. Batarya göstergesi 2. Kontrol düğmesi

Kalan batarya kapasitesini göstermesi için kontrol düğmesine basın. Batarya göstergelerinin her biri bir bataryaya karşılık gelir.

Batarya göstergesi durumu			Kalan pil kapasitesi
Açık	Kapalı	Yanıp sönüyor	
■	□	▬	%50 ila %100
■	■	□	%20 ila %50
■	■	□	%0 ila %20
▬	□	□	Bataryayı şarj edin



## Alet/batarya koruma sistemi

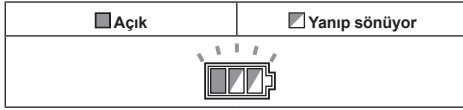
Bu alet bir alet/batarya koruma sistemi ile donatılmıştır. Bu sistem motora giden gücü otomatik olarak keserek uzun alet ve batarya ömrü sağlar. Alet veya batarya için aşağıdaki durumlardan biri söz konusu olduğunda aletin işleyişi otomatik olarak durur. Bazı durumlarda göstergeler yanar.

### Aşırı yük koruması

Alet/batarya, anormal derecede yüksek akım çekmesine neden olacak şekilde kullanıldığında, alet otomatik olarak durur. Bu durumda, aleti kapatın ve aletin aşırı yüklenmesine neden olan uygulamayı durdurun. Daha sonra aleti yeniden başlaması için çalıştırın.

### Aşırı ısınma koruması

Alet aşırı ısındığında otomatik olarak durur ve batarya göstergesi yaklaşık 60 saniye yanıp söner. Bu durumda, yeniden çalıştırmadan önce aletin soğumasını bekleyin.



### Aşırı deşarj koruması

Batarya kapasitesi düştüğünde, alet otomatik olarak durur. Anahtarlar devredeyken bile ürün çalışmıyorsa, bataryaları aletten çıkarıp şarj edin.

### Aşırı yük uyarısı

Alet aşırı yükte çalıştırılırsa, aşırı yük göstergesi kırmızı yanıp söner. Bu durumda alet üzerindeki yükü azaltın. Ardından gösterge yanıp sönmeyi keser.

► **Şek.6:** 1. Aşırı yük göstergesi

### Anahtar işlemi

**UYARI:** Batarya kartuşunu alete takmadan önce anahtar tetiğin doğru çalıştığından ve bırakıldığında "OFF" (kapalı) konumuna döndüğünden emin olun.

**UYARI:** Güvenlik kilidi düğmesini ASLA bantlayarak ya da başka bir yöntemle devre dışı bırakmaya çalışmayın. Güvenlik kilidi düğmesi devre dışı bırakılmış bir anahtar, istem dışı çalışmaya ve ciddi kişisel yaralanmalara neden olabilir.

**UYARI:** Güvenlik kilidi düğmesine basmadan sadece anahtar tetik çekildiğinde çalışan bir aleti ASLA kullanmayın. Tamir edilmesi gereken bir anahtar, istem dışı çalışmaya ve ciddi kişisel yaralanmalara neden olabilir. Daha fazla kullanmadan ÖNCE tamir ettirmek için aleti bir Makita servisine götürün.

Anahtar tetiğin kazara çekilmesini önlemek için, bir güvenlik kilidi düğmesi sunulmuştur. Aleti başlatmak için, güvenlik kilidi düğmesine bastırın ve anahtar tetiği çekin. Durdurmak için anahtar tetiği serbest bırakın.

► **Şek.7:** 1. Anahtar tetik 2. Güvenlik kilidi düğmesi

**ÖNEMLİ NOT:** Güvenlik kilidi düğmesine basmadan anahtar tetiği sıkıca çekmeyin. Bu, anahtarın kırılmasına neden olabilir.

## Lambanın yakılması

**DİKKAT:** Işığa bakmayın ya da ışık kaynağını doğrudan görmeyin.

Lambayı açmak için, lamba düğmesine basın. Kapatmak için lamba düğmesine tekrar basın.

► **Şek.8:** 1. Lamba düğmesi 2. Lamba

**NOT:** Alette bir dakika boyunca işlem yapılmazsa lamba otomatik olarak kapanır.

## MONTAJ

**DİKKAT:** Alet üzerinde herhangi bir iş yapmadan önce aletin kapalı ve batarya kartuşunun ayrılmış olduğundan daima emin olun.

### Aşındırıcı kesme diskinin / elmas diskini takılması veya çıkarılması

**DİKKAT:** Diski takmak veya çıkarmak için sadece Makita marka anahtar kullanın.

**DİKKAT:** Diski takarken, civatayı iyice sıkıttığınızdan emin olun.

**DİKKAT:** Disk dönerken şaft kilidi düğmesine basmayın.

Diski çıkarmak için şaft kilidi düğmesine basın ve disk dönmeyecek hale gelene kadar disk çevirin. Şaft kilidi tamamen kilitliyken altıgen civatayı lokma anahtarıyla saatin aksi yönünde çevirin. Ardından altıgen civatayı, dış flanşı ve diski sökün.

► **Şek.9:** 1. Şaft kilidi düğmesi 2. Lokma anahtarı 3. Sıkıla 4. Gevşet

► **Şek.10:** 1. Altıgen civata 2. Dış flanş (siyah) 3. Aşındırıcı kesme disk / elmas disk 4. İç flanş (gümüş) 5. Ok (diskin dönüş yönü)

Diski takmak için, çıkarma işlemlerini tersinden uygulayın.

ALTIGEN CIVATAYI İYİCE SIKTIĞINIZDAN EMİN OLUN.

**DİKKAT:** Diski daima, üzerindeki ok işareti disk siperi üzerindeki ok işareti ile aynı yöne bakacak şekilde yerleştirin. Aksi takdirde disk ters yönde döner, kişisel yaralanmaya neden olabilir.

**DİKKAT:** Sadece aletin üzerinde yazılı hıza eşit veya daha yüksek hıza sahip disk kullanın.

**NOT:** Bir iç flanş tesadüfen çıkarsa, iç flanşı uzun çıkıntı şeklinde gösterildiği gibi alet tarafına bakacak şekilde takın.

► **Şek.11:** 1. Altıgen civata 2. Dış flanş (siyah) 3. Aşındırıcı kesme disk / elmas disk 4. İç flanş (gümüş) 5. Çıkıntı (uzun)

## Su beslemesine bağlama

1. Bir su hortumu hazırlayın.
2. Bağlantı manşonu üzerindeki somunu çıkarın ve su hortumunu somundan geçirin. Hortumun ucunu bağlantı manşonuna sokun ve daha sonra somunu sıkın.  
► **Şek.12:** 1. Su hortumu 2. Bağlantı manşonu somunu 3. Bağlantı manşonu

3. Su hortumunu su beslemesine takın.

Su musluğuna bağlarken hortum kelepçesi veya musluk rakoru gibi uygun bağlantı parçası kullanın.

- **Şek.13:** 1. Hortum kelepçesi 2. Musluk rakoru 3. Su hortumu

**NOT:** Bağlantı parçası, bağlayacağınız musluğun şekline bağlıdır. Piyasadan alınan uygun bir bağlantı parçası hazırlayın.

**NOT:** Musluk rakoru kullanırsanız başka bir bağlantı manşonu hazır edin ve manşonu hortumun diğer ucuna takın.

**NOT:** Su pompası kullanırken su hortumunu bağlamak için su pompanızın kullanma kılavuzuna uyun.

4. Bağlantı manşonunu, bir tık sesi ile yerine oturana dek su girişine ittirin.

- **Şek.14:** 1. Bağlantı manşonu 2. Su girişi 3. Musluk

**ÖNEMLİ NOT:** Su beslemeli kesim işlemine başlayana kadar musluğu kapalı tutun. Nasıl su besleneceği ile ilgili olarak kullanım bölümüne bakın.

## KULLANIM

**⚠DİKKAT:** Çalıştırmadan önce batarya bölümünün kapağını mutlaka kilitleyin.

**⚠DİKKAT:** Çalışma sırasında iş parçasını sabit bir tezgah ya da masa üzerinde tuttuğunuzdan emin olun.

**⚠DİKKAT:** Kesim sırasında makinayı bükmeyin ve zorlamayın, aksi takdirde aşırı yüklenme oluşabilir ve iş parçası kırılabilir.

## Kesme

**⚠DİKKAT:** Çalışma sırasında aleti omuz yüksekliğinizden daha yukarı çıkarmayın.

- **Şek.15**

Aleti sıkıca tutun. Tutamağı sağ elinizle ve kavrama kolunu sol elinizle kavrayın. Bir elektrik kablосunu kazara keserek elektrik çarpmasını engellemek için kavrama kolunu her zaman şekilde gösterildiği gibi belirtilen kısımdan tutun.

- **Şek.16:** 1. Tutulacak kısım

Aleti iş parçasının yüzeyi üzerinde hareket ettirerek kesim işlemi tamamlanana kadar düz tutmak suretiyle yumuşak bir şekilde ilerletin. Kesim çizginizi düz, kesim hızınızı sabit tutun.

- **Şek.17**

**NOT:** Batarya kartuşunun sıcaklığı düşük olduğunda, alet tam kapasitede çalışmayabilir. Bu durumda, batarya kartuşu ısınıp oda sıcaklığına ulaşınca kadar, aleti bir müddet boyunca, örnek vermek gerekirse, hafif güç gerektiren bir işte kullanın. Böylece, alet tam kapasitede çalışabilir.

**NOT:** Elmas diskini kesim etkinliği azalmaya başlarsa, diskini kesim yapan kenarını eski bir kalın taneli taşlama diski ya da beton bloğu kullanarak bileyebilirsiniz. Elmas diskini dış kenarına hafifçe bastırarak bileyin.

## Kesim sırasında su beslemesi yaparken

**⚠DİKKAT:** Islak tip elmas disk kullanırken kesim sırasında daima su beslemesi yapın.

Aleti su beslemesine bağlayın ve musluğu şekilde gösterildiği gibi ok yönünde çevirin. Musluğun konumunu ayarlayarak hafif bir su akışı elde edin.

- **Şek.18:** 1. Musluk

**⚠DİKKAT:** Su beslemesi yaparken alet mekanizmasına su girmesini engellemek için aletin başını her zaman aletin gövdesinden aşağıda tutun. Aksi takdirde elektrik çarpmasına neden olabilir.

- **Şek.19**

## BAKIM

**⚠DİKKAT:** Muayene ya da bakım yapmadan önce aletin kapalı ve batarya kartuşunun çıkartılmış olduğundan daima emin olun.

**ÖNEMLİ NOT:** Benzin, tiner, alkol ve benzeri maddeleri kesinlikle kullanmayın. Renk değişimi, deformasyon veya çatlaklar oluşabilir.

Aleti EMNİYETLİ ve ÇALIŞMAYA HAZIR durumda tutmak için onarımlar, başka her türlü bakım ve ayarlamalar daima Makita yedek parçaları kullanılarak Makita yetkili servis merkezleri veya Fabrikanın Servis Merkezleri tarafından yapılmalıdır.

## Aletin temizlenmesi

Her kullanımdan sonra batarya kartuşunu ve diski çıkarın ve ardından disk siperinin içinde biriken toz, kir veya metal talaşını temizleyin. Alet gövdesini toz ve kiri kuru bir bezle veya sabunlu suya batırılıp sıkılmış bir bezle silerek temizleyin. Lamba lensini temizlemek için kuru bir bez kullanın. Aydınlatmayı azaltacağı için lamba lensinin çizilmemesine dikkat edin.

- **Şek.20:** 1. Disk siperi 2. Lamba lensi

## Hava deliğinin temizlenmesi

Aletin hava deliklerini düzenli olarak veya delikler tıkanmaya başladığında temizleyin.

- **Şek.21:** 1. Hava alma deliği 2. Hava çıkma deliği

## V kayışının değiştirilmesi

1. Batarya kartuşunu ve diski çıkarın.
2. Alyan başlı civataları alyan anahtarı ile gevşetin ve ardından kapağı çıkarın.  
► **Şek.22:** 1. Alyan başlı civata 2. Kapak
3. V kayışını, şekilde gösterildiği gibi iç tarafı yukarı bakacak şekilde güçlü bir biçimde bükürken kasnak (büyük) üzerindeki civatayı lokma anahtarıyla saat yönünde çevirin.  
Civatayı çevirdikçe V kayışı yolundan sapar ve çıkar.  
► **Şek.23:** 1. V kayışı 2. Kasnak (büyük) 3. Lokma anahtarı

**ÖNEMLİ NOT:** Lokma anahtarını asla saatin aksi yönünde çevirmeyin. Aksi takdirde kasnak (büyük) üzerindeki civata gevşer ve düşük performansla neden olur.

4. Yeni V kayışını kasnağa (küçük) geçirin. V kayışının diğer ucunu, kasnağın en önündeki raya kısmen geçecek şekilde kasnağa (büyük) yerleştirin. (Bu aşamada V kayışını kasnak üzerindeki tüm raylara geçirmeniz gerekmez). Ondandan sonra kasnak (büyük) üzerindeki civatayı lokma anahtarıyla saat yönünde çevirin.

Civatayı çevirdikçe V kayışı yola girer.

- **Şek.24:** 1. Kasnak (küçük) 2. Kasnak (büyük) 3. Lokma anahtarı

V kayışının iç çemberindeki tüm kılavuzların kasnaklar üzerindeki raylara geçtiğinden emin olun. Kasnak üzerindeki tüm raylar, V kayışı üzerindeki kılavuzları desteklemelidir. Kılavuz desteklemeyen bir ray varsa V kayışı düzgün takılmamıştır.

- **Şek.25:** 1. Kasnak üzerindeki ray 2. V kayışı üzerindeki kılavuz

5. Kapağı alete yerleştirin ve alyan başlı civataları alyan anahtarıyla sıkın.

- **Şek.26:** 1. Boru 2. Kapak 3. Alyan başlı civata

**ÖNEMLİ NOT:** Kapağı takmadan önce su besleme borusunun şekilde gösterilen konumlarda olduğunu kontrol edin.

## SORUN GİDERME

Onarım için servise gitmeden önce kontrolleri yapın. Kılavuzda açıklanmayan bir problemle karşılaşırsanız aleti demonte etmeyin. Bunun yerine, Makita Yetkili Servis Merkezlerine başvurun ve daima orijinal Makita yedek parçaları kullanın.

Anormal durum	Olası nedeni (arıza)	Çözümü
Motor çalışmıyor.	Batarya kartuşları takılı değil.	İki batarya kartuşu takın. Bu alet, tek batarya kartuşu ile çalışmaz.
	Batarya sorunu (voltaj yetersiz)	Bataryayı şarj edin. Şarj etmek işe yaramıyorsa, batarya kartuşunu değiştirin.
	Sürüş sistemi doğru işlemiyor.	Yerel yetkili servis merkezinizden tamir etmelerini isteyin.
Kısa bir kullanımdan sonra motor duruyor.	Bataryanın şarj seviyesi düşük.	Bataryayı şarj edin. Şarj etmek işe yaramıyorsa, batarya kartuşunu değiştirin.
	Aşırı ısınma.	Aleti kullanmayı durdurun ve soğumasını bekleyin.
Aleti yüksüz 20 saniye çalıştırdıktan sonra bile disk dönüşü düzgün hızlanmıyor.	Batarya düzgün takılmamış.	Batarya kartuşunu bu kılavuzda açıklandığı gibi takın.
	Batarya gücü düşüyor.	Batarya kartuşunu şarj edin. Şarj etmek işe yaramıyorsa, batarya kartuşunu değiştirin.
	V kayışı kayıyor.	V kayışını yenisiyle değiştirin.
	Sürüş sistemi doğru işlemiyor.	Yerel yetkili servis merkezinizden tamir etmelerini isteyin.
Disk dönmüyor: ⇒ makineyi hemen durdurun!	V kayışı kayıyor.	V kayışını yenisiyle değiştirin.
	Siper ve disk arasına yabancı madde sıkışmış.	Batarya kartuşunu ayırın ve ardından yabancı maddeyi çıkarın.
	Sürüş sistemi doğru işlemiyor.	Yerel yetkili servis merkezinizden tamir etmelerini isteyin.
Olağan dışı titreşim: ⇒ makineyi hemen durdurun!	Uygun olmayan disk montajı.	Diski bu kılavuzda belirtildiği gibi takın. Diski iyice sabitlemek için civatayı sıkın.
	Sürüş sistemi doğru işlemiyor.	Yerel yetkili servis merkezinizden tamir etmelerini isteyin.
Kesici parça ve motor durmuyor: ⇒ Batarya kartuşunu hemen çıkarın!	Elektriksel veya elektronik arıza.	Batarya kartuşunu çıkarın ve yerel yetkili servis merkezinizden tamir etmelerini isteyin.
Düşük kesim performansı	Diski değiştirme zamanı gelmiş.	Diski yenisiyle değiştirin.
Girişten su sızıyor.	O conta kısmında su sızıyor.	Yerel yetkili servis merkezinizden tamir etmelerini isteyin.

# İSTEĞE BAĞLI AKSESUARLAR

**⚠ DİKKAT:** Bu aksesuarlar ve ek parçalar bu el kitabında belirtilen Makita aletiniz ile kullanılmak için tavsiye edilmektedir. Herhangi başka bir aksesuar ya da ek parça kullanılması insanlar için bir yaralanma riski getirebilir. Aksesuarları ya da ek parçaları yalnızca belirtilmiş olan kullanım amaçlarına uygun olarak kullanın.

Bu aksesuarlarla ilgili daha fazla bilgiye ihtiyac duyarsanız bulunduğunuz yerdeki yetkili Makita servisine başvurun.

- Aşındırıcı kesme disk
- Elmas disk
- V kayışı
- Bağlantı manşonu
- Flanş 60 seti (ülkeye özgü)
- Lokma anahtarı
- Altıgen anahtar
- Orijinal Makita batarya ve şarj aleti

**NOT:** Listedeki parçaların bazıları alet paketi içerisinde standart aksesuar olarak dahil edilmiş olabilir. Bunlar ülkeden ülkeye farklılık gösterebilir.

Makita Europe N.V. Jan-Baptist Vinkstraat 2,  
3070 Kortenberg, Belgium

Makita Corporation 3-11-8, Sumiyoshi-cho,  
Anjo, Aichi 446-8502 Japan

[www.makita.com](http://www.makita.com)

885786A992  
EN, FR, DE, IT, NL,  
ES, PT, DA, EL, TR  
20200514