



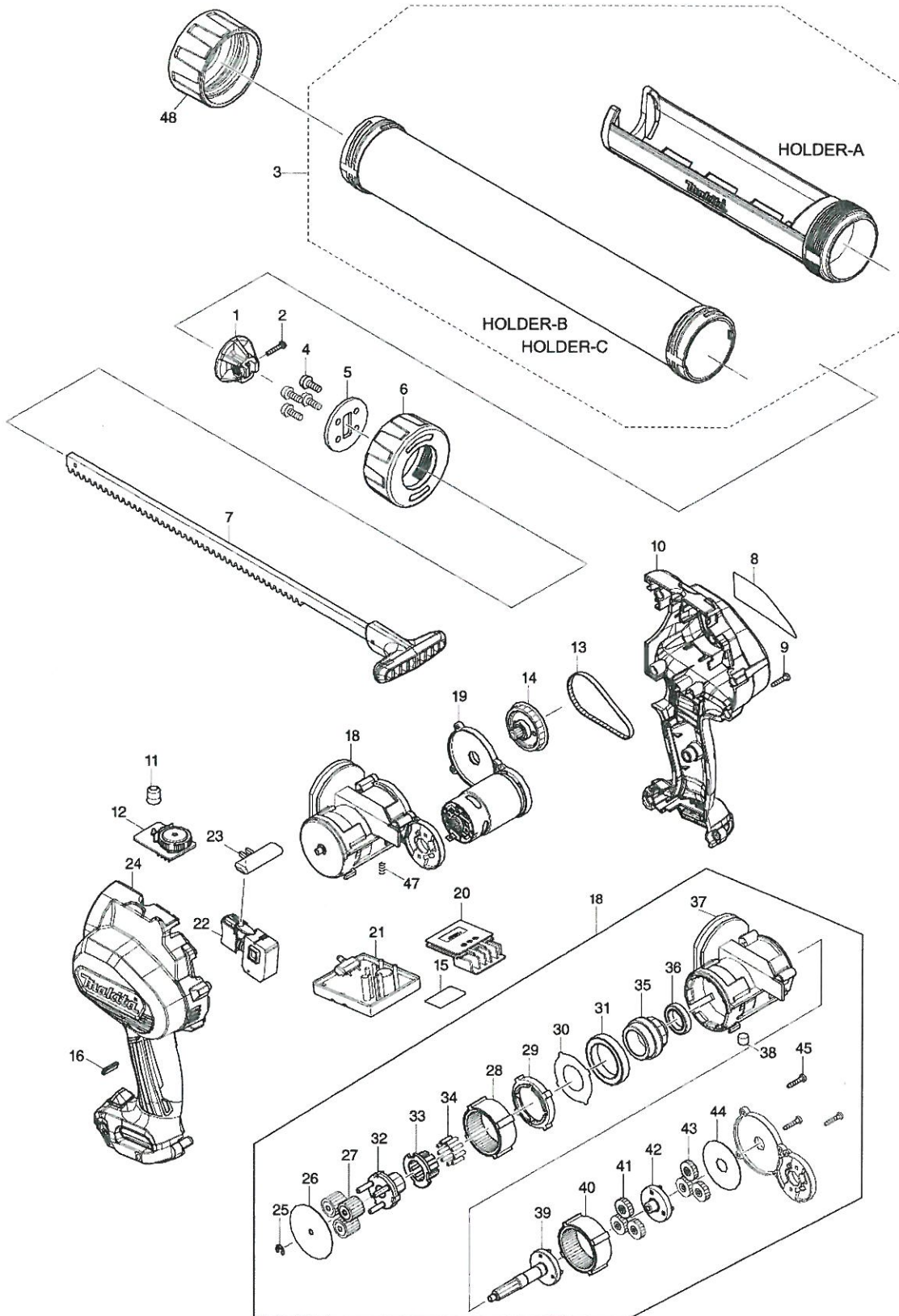
Modelnummer CG100D CORDLESS CAULKING GUN

Artikel	Reservedeln	Beskrivelse	I/C	Qty	N/O	Opt. 1	Opt. 2	Note
001A	142071-2	PISTON A COMPLETE		1				
001B	142072-0	PISTON B COMPLETE		1				
001C	142072-0	PISTON B COMPLETE		1				
002	266827-0	PAN HEAD SCREW M3X18 WITH WR		1				
003A	454275-7	HOLDER A		1				
003B	141861-0	HOLDER B COMPLETE		1				
003C	141861-0	HOLDER B COMPLETE		1				
004	265074-0	PAN HEAD SCREW M5X16		4				
005	346649-5	PLATE		1				
006A	454223-6	HOLDER JOINT A		1				
006B	318958-2	HOLDER JOINT B		1				
006C	318958-2	HOLDER JOINT B		1				
007A	142041-1	RACK 42 COMPLETE		1				
007B	142042-9	RACK 64 COMPLETE		1				
007C	142042-9	RACK 64 COMPLETE		1				
008	853S37-8	CG100D NAME PLATE		1				
009	266429-2	TAPPING SCREW 3X16		9				
010	183H54-1	HOUSING SET		1				
C10	252126-6	HEX. LOCKING NUT M4-7		2				
D10		INC. 24						
011	418821-0	LENS		1				
012	620180-2	SUB CONTROLLER		1				
013	225097-0	SYNCHRO BELT 4-176		1				
014	142038-0	SPUR GEAR 9A COMPLETE		1				
015	853S38-6	CG100D SERIAL NO. LABEL		1				
016	454230-9	LENS		1				
018	126253-4	GEAR ASSEMBLY		1				
D10		INC. 25-45						
019	144848-1	MOTOR COMPLETE		1				
020	644813-5	TERMINAL		1				
021	632K96-5	CONTROLLER UNIT		1				
C10	620762-0	LED CIRCUIT		1				
C20	688172-7	LINE FILTER		1				
022	650632-9	SWITCH		1				
023	451162-1	LOCK LEVER		1				
024	183H54-1	HOUSING SET		1				
C10	252126-6	HEX. LOCKING NUT M4-7		2				
D10		INC. 10						
025	961011-9	STOP RING E-4		1				
026	267465-1	FLAT WASHER 5		1				
027	227311-0	SPUR GEAR 19B		3				
028	227309-7	INTERNAL GEAR 48		1				
029	144375-8	SPACER COMPLETE		1				
030	346721-3	PLATE 23		1				
031	211294-4	BALL BEARING 6806LLU		1				
032	141860-2	CARRIER A COMPLETE		1				
033	313253-5	CARRIER B		1				
034	256255-7	PIN 3		9				

Please order the parts with a part number.

Print Date 08/08/2017

Modelnummer CG100D CORDLESS CAULKING GUN





Modelnummer CG100D CORDLESS CAULKING GUN

Page 2 / 2

Artikel	Reservedelsn	Beskrivelse	I/C	Qty	N/O	Opt. 1	Opt. 2	Note
035	227312-8	SPUR GEAR 10		1				
036	211482-3	BALL BEARING 6803LLU		1				
037	454219-7	GEAR HOUSING		1				
038	313257-7	MAGNET		1				
039	141859-7	SPUR GEAR 9C COMPLETE		1				
040	227309-7	INTERNAL GEAR 48		1				
041	227310-2	SPUR GEAR 19A		3				
042	141858-9	SPUR GEAR 9B COMPLETE		1				
043	227310-2	SPUR GEAR 19A		3				
044	267466-9	FLAT WASHER 12		1				
045	266429-2	TAPPING SCREW 3X16		3				
047	234315-5	COMPRESSION SPRING 6		1				
048B	318958-2	HOLDER JOINT B		1				
048C	318958-2	HOLDER JOINT B		1				
A01	195246-2	SAFETY GOGGLE		1				
A02B	123221-8	PISTON C ASSEMBLY		1				
C10	424546-6			1				
A02C	123221-8	PISTON C ASSEMBLY		1				
C10	424546-6			1				
A03B	142071-2	PISTON A COMPLETE		1				
A03C	142071-2	PISTON A COMPLETE		1				
A04B	266827-0	PAN HEAD SCREW M3X18 WITH WR		2				
A04C	266827-0	PAN HEAD SCREW M3X18 WITH WR		2				
A05B	424547-4	RUBBER RING		1				
A05C	424547-4	RUBBER RING		1				
A06B	454226-0	NOZZLE		3				
A06C	454226-0	NOZZLE		3				
A07B	821710-4	PLASTIC CASE		1				
C10	162271-8	LATCH		2				
A07C	821710-4	PLASTIC CASE		1				
C10	162271-8	LATCH		2				
A08C	***DC10SA	DC10SA BATTERY CHARGER		1				
D10		COMPO-PARTS						
A09C	197390-1	BATTERY BL1015 SET		2				
A10C	456128-6	BATTERY COVER		2				
A11B	142041-1	RACK 42 COMPLETE		1				
A11C	142041-1	RACK 42 COMPLETE		1				
A12B	454275-7	HOLDER A		1				
A12C	454275-7	HOLDER A		1				
A13B	454223-6	HOLDER JOINT A		1				
A13C	454223-6	HOLDER JOINT A		1				

Please order the parts with a part number.

Print Date 08/08/2017