




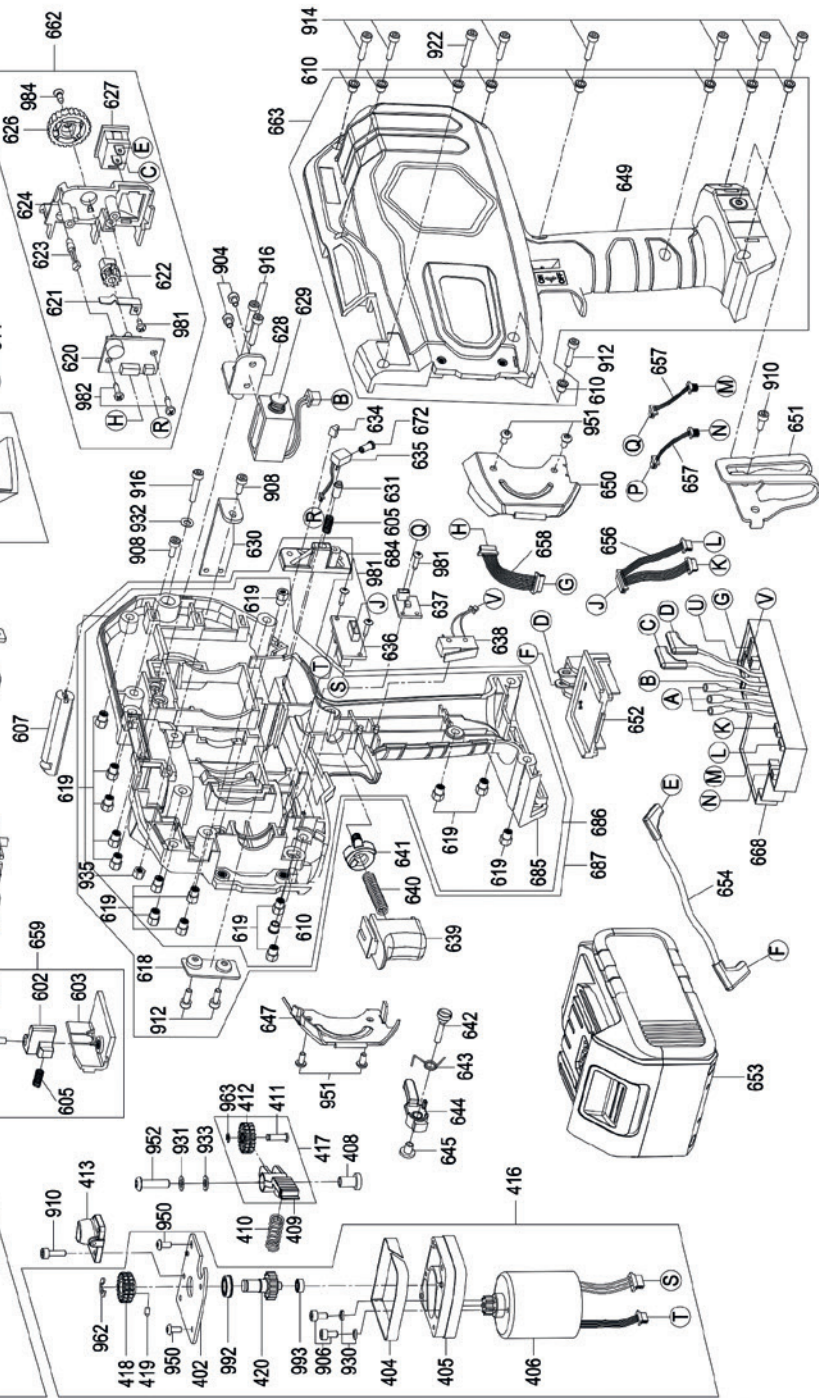
TJEP ULTRA GRIP

MODEL 25



Declaration of conformity

We	Taizhou Xindalu Electronic Technology Co., Ltd. No. 167, Nanhuan RD, Wenling Zhejiang, China
declare under our sole responsibility that the	TJEP ULTRA GRIP 25
conforms with the directive	2006/42/EC 2014/30/EU 2000/14/EC 2011/65/EU
and the standards	EN 60745-1:2009/A11:2010 EN ISO 12100:2010 EN 55014-1:2017 EN 55014-2:2015 EN 50581:2012
	Signed:  Mr. Fujun Lu, General manager
Authorized contact in EU to compile the Technical File:	KYOCERA UNIMERCO Fastening A/S Drejervej 2 DK-7451 Sunds Denmark



Spare parts

ITEM NO.	PART NO.	DESCRIPTION
103	11072	Connecting Plate 1
105	81051	Torsion Spring 1
106	81068	Cutter
107	80175	Cutter Lever A
109	81099	Cutter Sleeve
111	81112	Shaft Screw
112	81129	Washer 4
113	81136	Cutter Lever C
117	91012	Arm A
118	91029	Wire Guide A
119	91036	Fixed Cutter
120	91043	Connecting Rod 1
121	91050	Arm A unit
122	91067	Arm A Unit Assy
201	82010	Stopper Shaft
202	82027	Torsion Spring 3
205	92019	Curl Guide
206	92026	Curl Guide Assy
302	83024	Key A
303	83031	Sleeve A
304	83048	Sleeve Guide
305	83055	Cutting Ring Guide
306	83062	Cutting Plate
307	83079	Cutting Ring Washer
308	13069	Tip Axis Guide Assy
309	83093	Tip Axis B
310	13120	Key B
311	83116	Tip Axis A
312	83123	Pin 1
313	13168	Comp. Spring 2
314	83147	Bumper
315	83154	Internal Gear
316	13229	Pin 5
317	83178	Planet Gauge Unit
318	13236	Planet Gear
319	13243	Gear Press Wheel
320	83208	Twisting Motor Gearbox
321	83215	Sun Gear Unit
322	83222	Motor Fixing plate
323	83239	Twisting Motor Unit
324	13137	Comp. Spring 1
325	13311	Route PWB Unit
326	13304	Magnetic Plate

ITEM NO.	PART NO.	DESCRIPTION
328	83284	Twisting Motor Assy
329	93009	Hook
330	93016	Twister Assy
402	84021	Partition Plate
404	84045	Dust-Proof strip
405	84052	Feeding Motor Gearbox
406	84069	Feeding Motor Unit
408	84083	Hollow Pin 1
409	14028	Release Lever
410	14035	Comp. Spring 3
411	14158	Step Pin 1
412	14141	Feeding Gear B2
413	84137	Wire Guide C
414	84144	Rubber Base
415	84151	Pipe
416	84168	Feeding Motor Assy
417	14165	Release Lever Assy
418	84175	Feeding Gear B1
419	84182	Pin 7
420	84199	Feeding Gear Shaft
501	85011	Reel Press D
502	12499	Torsion Spring 7
503	85035	Reel Press A
504	85042	Reel Press limit Axis
505	12482	Reel Press Centre Axis
506	12468	Comp. Spring 7
508	85059	Brake Housing Assy
601	86018	Step Pin 2
602	86025	Release Stopper
603	86032	Reel Stopper
605	17166	Comp. Spring 4
606	86063	Window
607	86070	Joint Reel Magazine
608	17029	Reel Guide
609	17210	Fixing Plate 1
610	18040	Hollow Pin 7
611	86117	Motor Cover
612	86124	Step Pin 3
613	15049	Torsion Spring 5
614	15056	Rubber Washer
615	86155	Reel Stopper
616	86162	Torsion Spring 6
617	86179	Reel Stay

ITEM NO.	PART NO.	DESCRIPTION
618	86186	Strength Plate
619	17111	Nut M3
620	86209	Adjusting PWB Unit
621	86216	Adjusting Spring
622	86223	Joint Knob
623	16046	LED Unit
624	86247	Adjusting Plate
626	86254	Adjusting Knob
627	16015	Main Switch Unit
628	86285	Solenoid Holder
629	86292	Solenoid
630	86308	Fixing Plate 2
631	86315	Jaw Pin
634	86346	Socket Cap
635	86353	Socket
636	86360	Feeding PWB unit
637	17326	Sensor PWB D Unit
638	17265	Trigger Switch
639	86391	Trigger
640	86407	Comp. Spring 5
641	86414	Trigger Lock
642	17517	Bolt
643	86438	Torsion Spring 4
644	86445	Switch Lever
645	17364	Pin 4
647	86476	Cover L Unit
649	86490	Frame R
650	86506	Cover P Unit
651	86513	Belt Hook
652	86520	Electrode Unit
653	86537	18V Li-ion Battery
654	86544	Battery Connecting Wire
656	86568	Feeding Motor Connecting Wire
657	86575	Sensor Connecting Wire
658	86582	Adjusting Connecting Wire
659	86599	Reel Stopper Assy
660	86605	Motor Cover Assy
661	86612	Reel Stay Assy
662	86629	Main Switch Base Assy
663	96024	Frame R Assy
668	96017	Main PWB Unit
672	86704	Plastic cap
684	86841	Jaw

ITEM NO.	PART NO.	DESCRIPTION
685	86858	Frame L
686	86865	Frame L Assy
687	86872	Frame L Assy (incl. Jaw)
901	89019	Hex Bolt M4X6
904	12536	Hex Bolt M3X4
905	89057	Hex Bolt M3×5
906	11034	Hex Bolt M3×6
908	12024	Hex Bolt M3×8
910	11225	Hex Bolt M3×10
912	11027	Hex Bolt M3×12
914	17449	Hex Bolt M3×14
916	17487	Hex Bolt M3×16
922	89224	Hex Bolt M3×22
930	12178	Spring Washer φ3
931	14219	Spring Washer φ4
932	14058	Washer
933	14226	Washer 2
934	15070	Washer 3
935	17050	Nut M3 (T4)
950	89507	Button Head Screw M3X6
951	17128	Button Head Screw M3X8
952	89521	Button Head Screw M4X20
960	12543	E-ring 3
961	11133	E-ring 4
962	89620	E-ring 5
963	12048	E-Ring 2
964	13182	C-ring 20
970	13342	Spring Pin φ2.5
981	13328	Pan-head Screw ST2.2×6
982	17401	Pan-head Screw ST3×8
983	13298	Countersunk screw M2×4
984	16022	Countersunk Scew M3×10
986	89866	Hex Screw M3×4
990	13205	Bearing 1
991	89910	Bearing 2
992	89927	Bearing 3
993	89934	Bearing 4



KYOCERA UNIMERCO Fastening A/S
Drejervej 2
DK-7451 Sunds
Tlf. +45 97 14 14 40
Fax +45 97 14 14 86
tjep@kyocera-unimerco.com

www.tjep.eu