

# Milwaukee®

Nothing but **HEAVY DUTY**®



## M18 FPM

Original instructions

Originalbetriebsanleitung

Notice originale

Istruzioni originali

Manual original

Oorspronkelijke gebruiksaanwijzing

Original brugsanvisning

Original bruksanvisning

Bruksanvisning i original

Alkuperäiset ohjeet

Πρωτότυπο οδηγιών χρήσης

Orijinal işletme talimatı

Původním návodem k používání

Pôvodný návod na použitie

Instrukcja oryginalną

Eredeti használati utasítás

Izvirna navodila

Originalne pogonske upute

Instrukcijām oriģinālvalodā

Originalni instrukcija

Algupärane kasutusjuhend

Оригинальное руководство по эксплуатации

Оригинално ръководство за експлоатация

Instrucțiuni de folosire originale

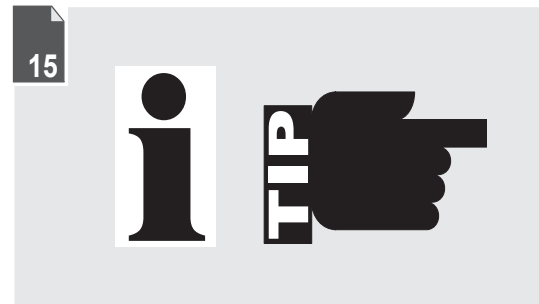
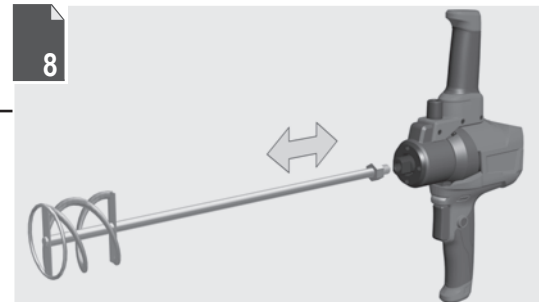
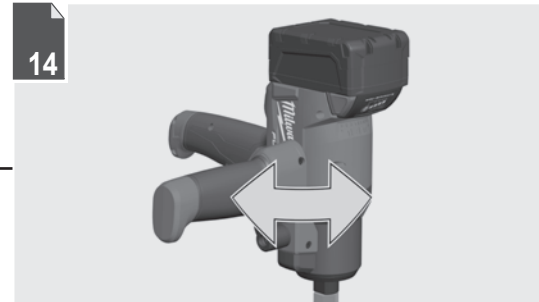
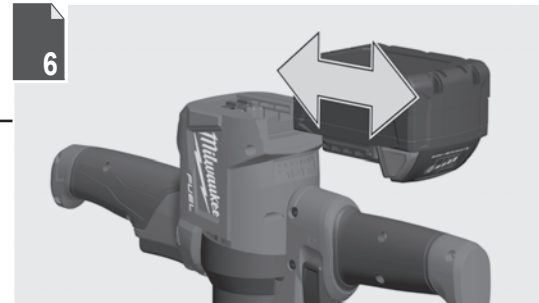
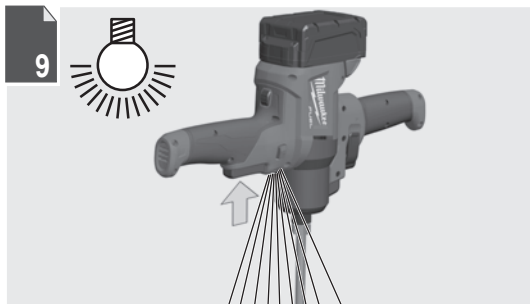
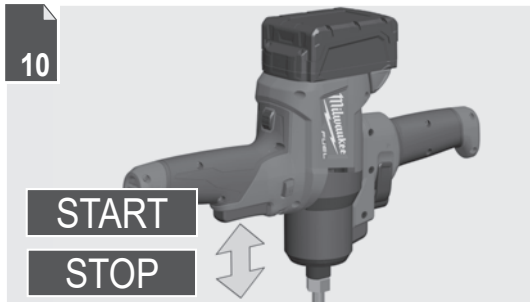
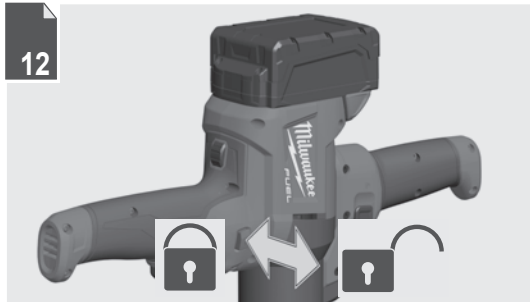
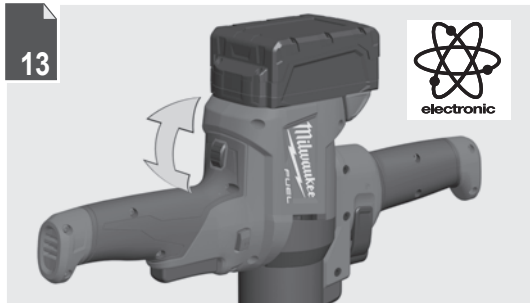
Оригинален прирачник за работа

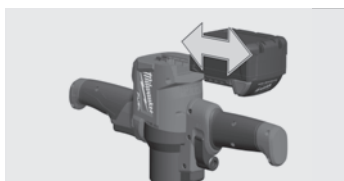
Оригінал інструкції з експлуатації


التعليمات الأصلية

|                    |  |  |          |
|--------------------|--|--|----------|
| <b>ENGLISH</b>     |  | Picture section with operating description and functional description          | <b>4</b> |
| <b>DEUTSCH</b>     |  | Bildteil mit Anwendungs- und Funktionsbeschreibungen                           | <b>4</b> |
| <b>FRANÇAIS</b>    |  | Partie imagée avec description des applications et des fonctions               | <b>4</b> |
| <b>ITALIANO</b>    |  | Sezione illustrata con descrizione dell'applicazione e delle funzioni          | <b>4</b> |
| <b>ESPAÑOL</b>     |  | Sección de ilustraciones con descripción de aplicación y descripción funcional | <b>4</b> |
| <b>PORTUGUES</b>   |  | Parte com imagens explicativas contendo descrição operacional e funcional      | <b>4</b> |
| <b>NEDERLANDS</b>  |  | Beeldgedeelte met toepassings- en functiebeschrijvingen                        | <b>4</b> |
| <b>DANSK</b>       |  | Billedel med anvendelses- og funktionsbeskrivelser                             | <b>4</b> |
| <b>NORSK</b>       |  | Billedel med bruks- og funksjonsbeskrivelse                                    | <b>4</b> |
| <b>SVENSKA</b>     |  | Bilddel med användnings- och funktionsbeskrivning                              | <b>4</b> |
| <b>SUOMI</b>       |  | Kuvasivut käyttö- ja toimintakuvaukset   | <b>4</b> |
| <b>ΕΛΛΗΝΙΚΑ</b>    |  | Τμήμα εικόνων με περιγραφές χρήσης και λειτουργίας                             | <b>4</b> |
| <b>TÜRKÇE</b>      |  | Resim bölümü Uygulama ve fonksiyon açıklamaları ile birlikte                   | <b>4</b> |
| <b>ČESKY</b>       |  | Obrazová část s popisem aplikací a funkcí                                      | <b>4</b> |
| <b>SLOVENSKY</b>   |  | Obrazová část s popisom aplikácií a funkcií                                    | <b>4</b> |
| <b>POLSKI</b>      |  | Część rysunkowa z opisami zastosowania i działania                             | <b>4</b> |
| <b>MAGYAR</b>      |  | Képes részalkalmazási- és működési leírásokkal                                 | <b>4</b> |
| <b>SLOVENSKO</b>   |  | Del slikez opisom uporabe in funkcij   | <b>4</b> |
| <b>HRVATSKI</b>    |  | Dio sa slikamasa opisima primjene i funkcija                                   | <b>4</b> |
| <b>LATVISKI</b>    |  | Attēla daļa ar lietošanas un funkciju aprakstiem                               | <b>4</b> |
| <b>LIETUVIŠKAI</b> |  | Paveikslėlio dalis su vartojimo instrukcija ir funkcijų aprašymais             | <b>4</b> |
| <b>EESTI</b>       |  | Pildiosa kasutusjuhendi ja funktsioonide kirjeldusega                          | <b>4</b> |
| <b>РУССКИЙ</b>     |  | Раздел иллюстраций с описанием эксплуатации и функций                          | <b>4</b> |
| <b>БЪЛГАРСКИ</b>   |  | Част със снимки с описания за приложение и функции                             | <b>4</b> |
| <b>ROMÂNIA</b>     |  | Secvența de imagine cu descrierea utilizării și a funcționării                 | <b>4</b> |
| <b>МАКЕДОНСКИ</b>  |  | Дел со сликисо описи за употреба и функционирање                               | <b>4</b> |
| <b>УКРАЇНСЬКА</b>  |  | Частина з зображеннями з описом робіт та функцій                               | <b>4</b> |
| <b>عربي</b>        |  | قسم الصور يوجد به الوصف التشغيلي والوظيفي                                      | <b>4</b> |

|  |           |
|--|-----------|
| Text section with Technical Data, important Safety and Working Hints and description of Symbols  | <b>16</b> |
| Textteil mit Technischen Daten, wichtigen Sicherheits- und Arbeitshinweisen und Erklärung der Symbole.                                       | <b>18</b> |
| Partie textuelle avec les données techniques, les consignes importantes de sécurité et de travail ainsi que l'explication des pictogrammes.  | <b>20</b> |
| Sezione testo con dati tecnici, importanti informazioni sulla sicurezza e sull'utilizzo, spiegazione dei simboli.                            | <b>22</b> |
| Sección de texto con datos técnicos, indicaciones importantes de seguridad y trabajo y explicación de los símbolos.                          | <b>24</b> |
| Parte com texto explicativo contendo Especificações técnicas, Avisos de segurança e de operação e a Descrição dos símbolos.                  | <b>26</b> |
| Tekstgedeelte met technische gegevens, belangrijke veiligheids- en arbeidsinstructies en verklaring van de symbolen.                         | <b>28</b> |
| Tekstdel med tekniske data, vigtige sikkerheds- og arbejdsanvisninger og symbolforklaring.   | <b>30</b> |
| Tekstdel med tekniske data, viktige sikkerhets- og arbeidsinstruksjoner og forklaring av symbolene.  | <b>32</b> |
| Textdel med tekniska informationer, viktiga säkerhets- och användningsinstruktioner samt symbolförklaringar.                                 | <b>34</b> |
| Tekstisivut: tekniset tiedot, tärkeät turvallisuus- ja työskentelyohjeet sekä merkien selitykset.  | <b>36</b> |
| Τμήμα κειμένου με τεχνικά χαρακτηριστικά, σημαντικές υποδείξεις ασφαλείας και εργασίας και εξήγηση των συμβόλων.                             | <b>38</b> |
| Teknik bilgileri, önemli güvenlik ve çalışma açıklamalarını ve de sembollerin açıklamalarını içeren metin bölümü.                            | <b>40</b> |
| Textová část s technickými daty, důležitými bezpečnostními a pracovními pokyny a s vysvětlivkami symbolů                                     | <b>42</b> |
| Textová část s technickými datami, důležitými bezpečnostními a pracovními pokyny a s vysvětlivkami symbolů                                   | <b>44</b> |
| Część opisowa z danymi technicznymi, ważnymi wskazówkami dotyczącymi bezpieczeństwa i pracy oraz objaśnieniami symboli.                      | <b>46</b> |
| Szöveges rész műszaki adatokkal, fontos biztonsági- és munkavégzési útmutatásokkal, valamint a szimbólumok magyarázata.                      | <b>48</b> |
| Del besedila s tehničnimi podatki, pomembnimi varnostnimi opozorili in delovnimi navodili in pojasnili simbolov.                             | <b>50</b> |
| Dio štiva sa tehničkim podacima, važnim sigurnosnim i radnim uputama i objašnjenjem simbola.   | <b>52</b> |
| Teksta daļa ar tehnikajiem parametriem, svarīgiem drošības un darbības norādījumiem, simbolu atšifrējumiem.                                  | <b>54</b> |
| Teksto dalis su techniniais duomenimis, svarbiomis saugumo ir darbo instrukcijomis bei simbolių paaiškinimais.                               | <b>56</b> |
| Tekstiosa tehniliste näitajate, oluliste ohutus- ja tööjuhenditega ning sümbolite kirjeldustega.   | <b>58</b> |
| Текстовый раздел, включающий технические данные, важные рекомендации по безопасности и эксплуатации, а также описание используемых символов. | <b>60</b> |
| Част с текст с технически данни, важни указания за безопасност и работа и разяснение на символите.   | <b>62</b> |
| Porțiune de text cu date tehnice, indicații importante privind siguranța și modul de lucru și descrierea simbolurilor.                       | <b>64</b> |
| Текстуален дел со Технички карактеристики, важни безбедносни и работни упатства и објаснување на симболите.                                  | <b>66</b> |
| Текстова частина з техничними даними, важливими вказівками з техніки безпеки та експлуатації і поясненням символів.                          | <b>68</b> |
| القسم النصي المزود بالبيانات الفنية والنصائح الهامة للسلامة والعمل ووصف الرموز   | <b>71</b> |





 Remove the battery pack before starting any work on the machine.  
Vor allen Arbeiten an der Maschine den Wechselakku herausnehmen

Avant tous travaux sur la machine retirer l'accu interchangeable.

Prima di iniziare togliere la batteria dalla macchina.

Retire la batería antes de comenzar cualquier trabajo en la máquina.

Antes de efectuar cualquier intervención na máquina retirar o bloco acumulador.

Voor alle werkzaamheden aan de machine de akku verwijderen.

Ved arbejde inden i maskinen, bør batteriet tages ud.

Ta ut vekselbatteriet før du arbeider på maskinen

Drag ur batteripaket innan arbete utföres på maskinen.

Tarkista pistotulppa ja verkkojohto mahdollisilta vaurioilta. Viat saa korjata vain alan erikoismies.

Πριν από κάθε εργασία στη μηχανή αφαιρέστε την ανταλλακτική μπαταρία.

Aletin kendingde bir çalışma yapmadan önce kartuş aküyü çıkarın.

Před zahájením veškerých prací na vrtacím šroubováku vyjmout výměnný akumulátor.

Pred každou prácou na stroji výmenný akumulátor vytiahnuť.

Przed przystąpieniem do jakichkolwiek prac na elektronarzędziu należy wyjąć wkładkę akumulatorową.

Karbantartás, javítás, tisztítás, stb. előtt az akkumulátort ki kell venni a készülékből.

Pred deli na stroju izvlecite izmenljivi akumulator.

Prije svih radova na stroju izvaditi bateriju za zamjenu.

Pirms mašīnai veikt jebkāda veida apkopes darbus, ir jāizņem ārā akumulātors.

Prieš atikdami bet kokius darbus įrenginyje, išimkite keičiamą akumuliatorių.

Enne kõiki töid masina kallal võtke vahetatav aku välja.

Внітьте акумулятор из машини перед проведеніем с ней каких-либо манипуляцій.

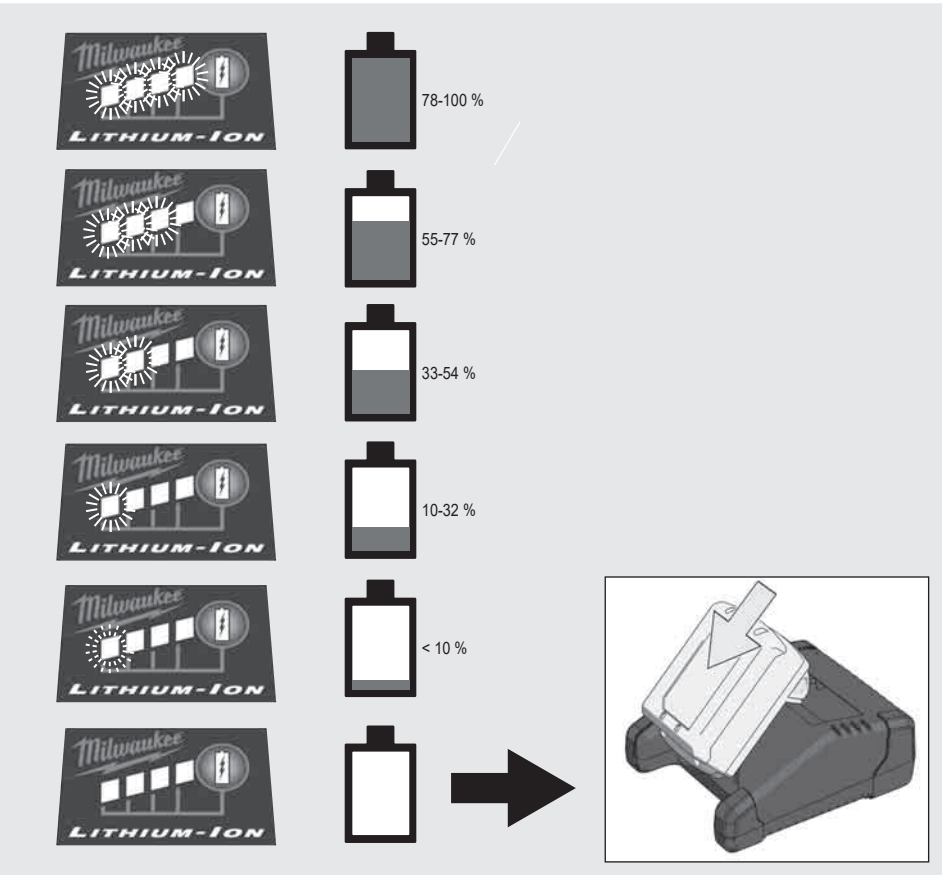
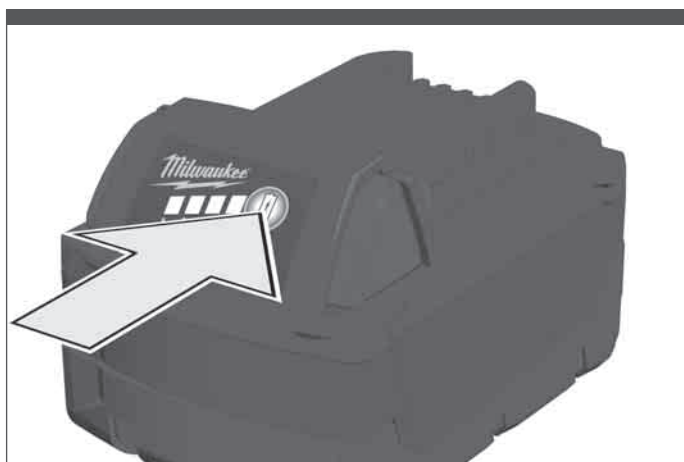
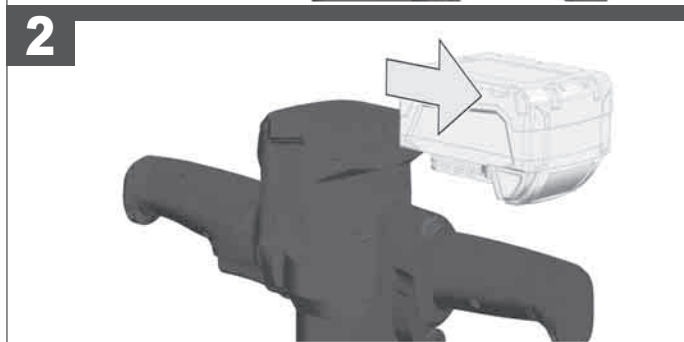
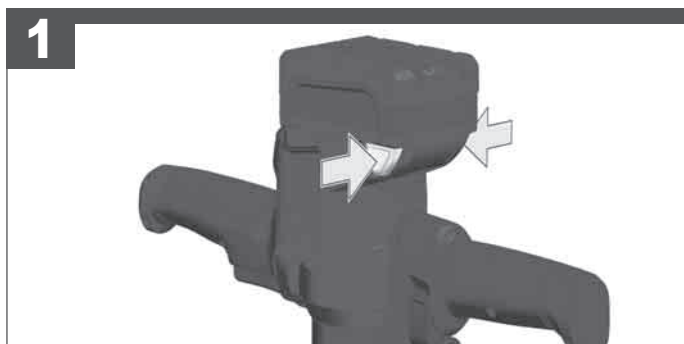
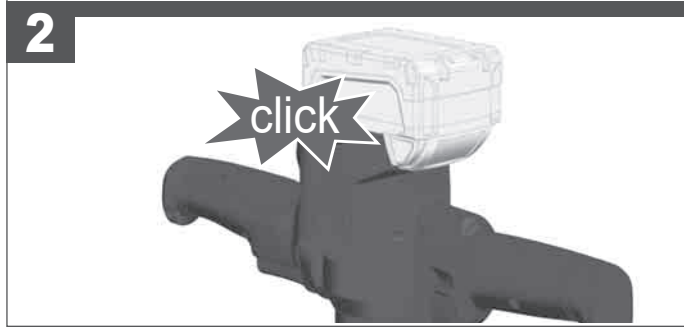
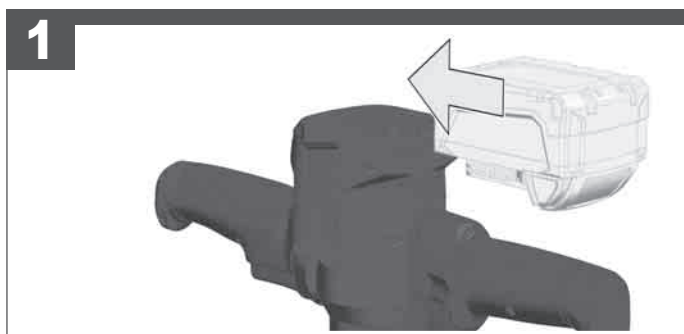
Преци започване на каквито е да е работи по машината извадете акумулятора.

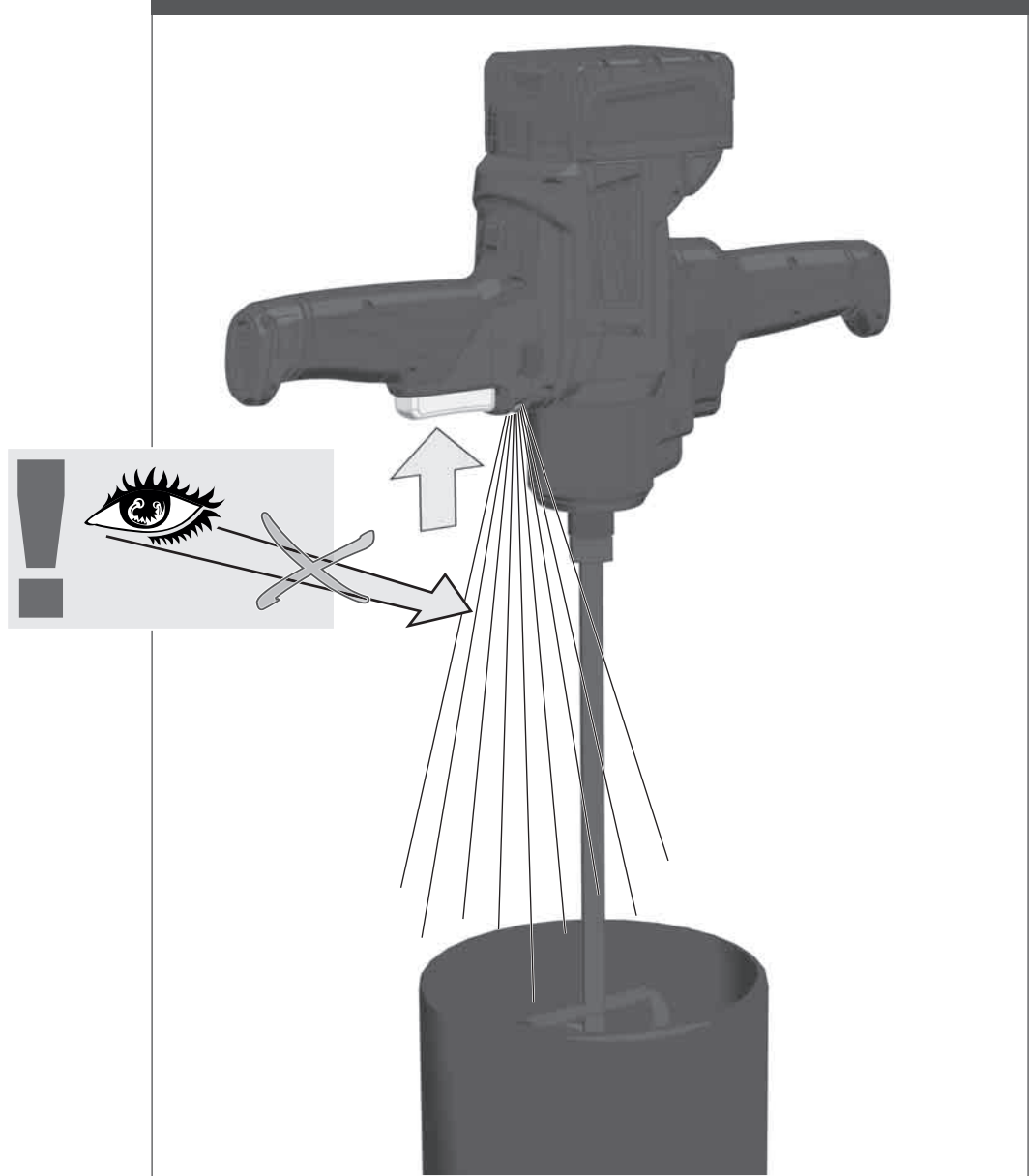
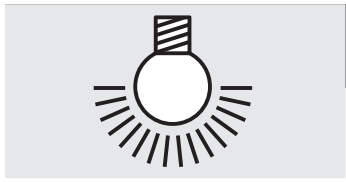
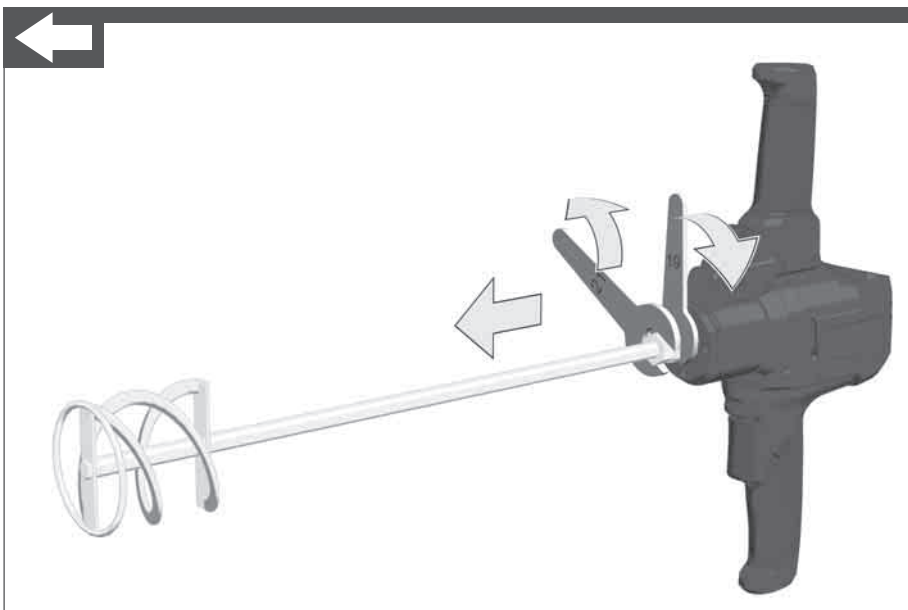
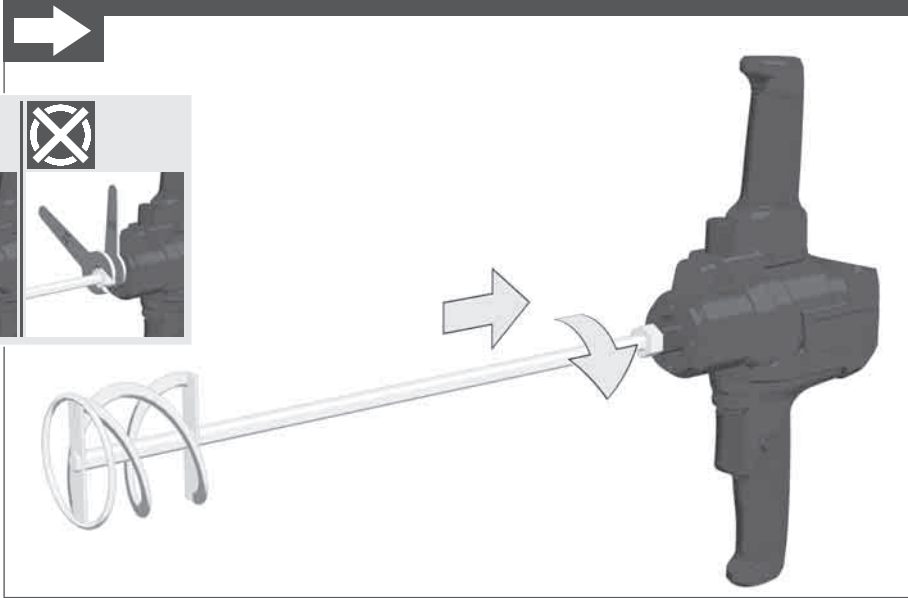
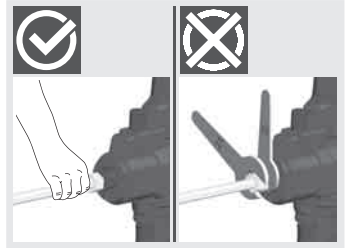
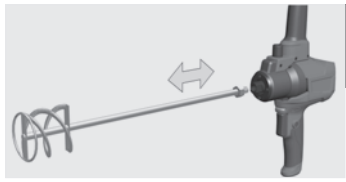
Scoateți acumulatorul înainte de a începe orice intervenție pe mașină.

Отстранете ја батеријата пред да започнете да ја користите машината.

Перед будь-якими роботами на машині вийняти змінну акумуляторну батарею.

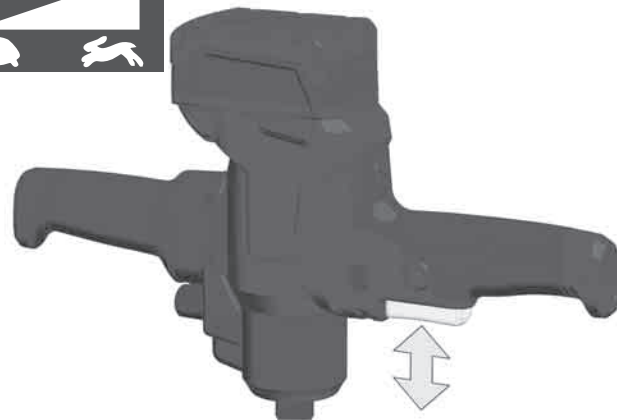
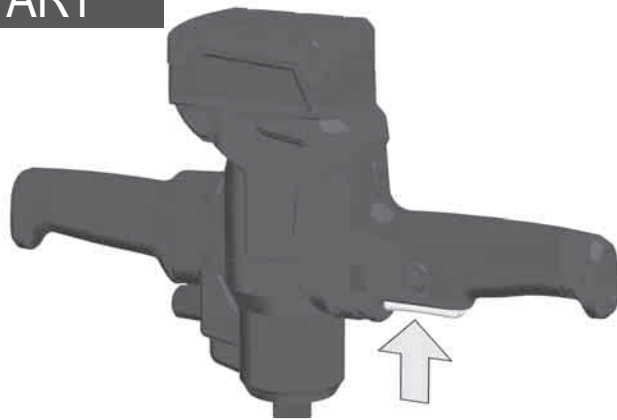
قم بإزالة حزمة البطارية قبل البدء في أي أعمال على الجهاز.



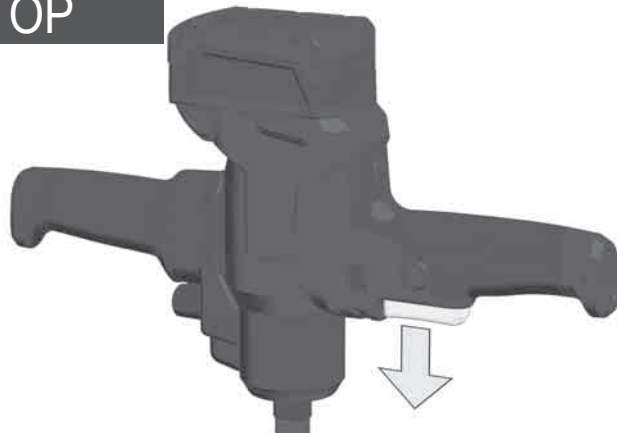




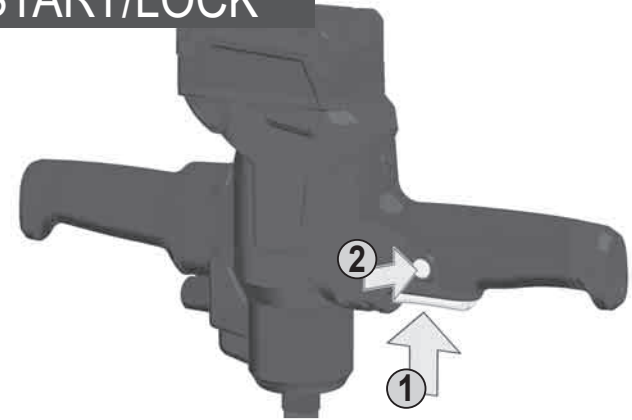
START



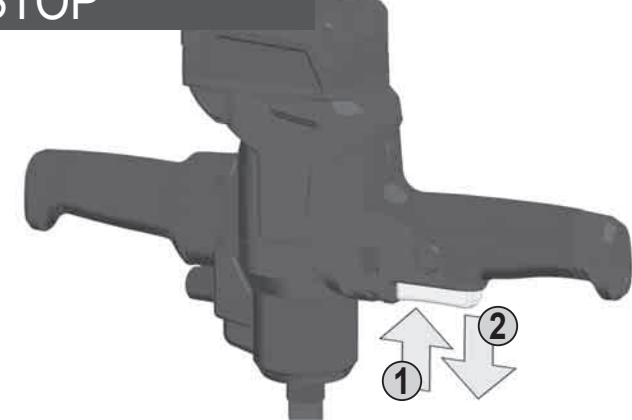
STOP

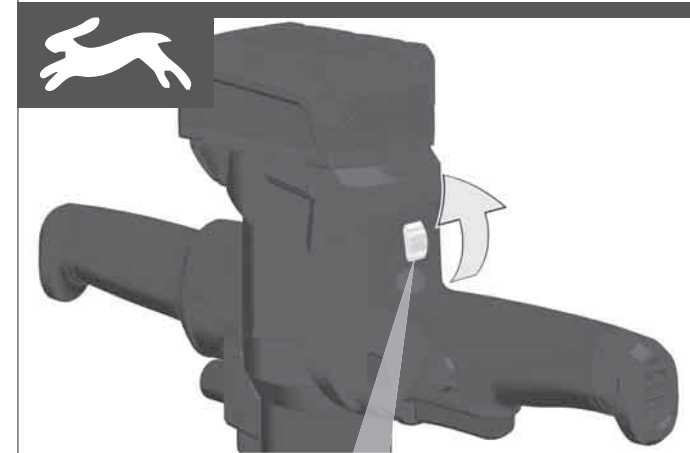
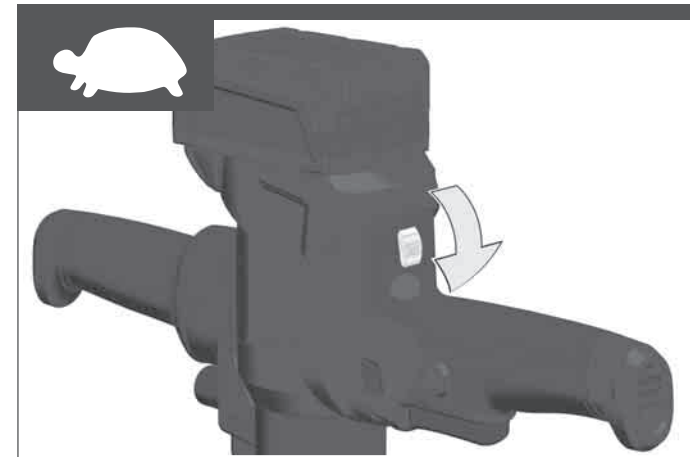
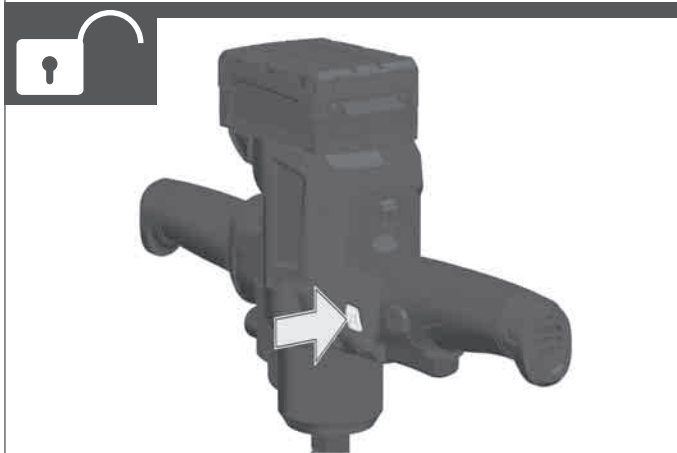
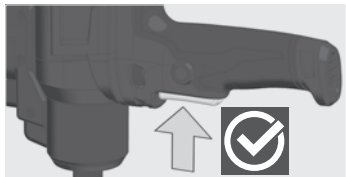
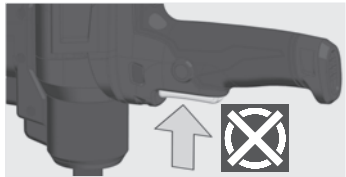


START/LOCK



STOP





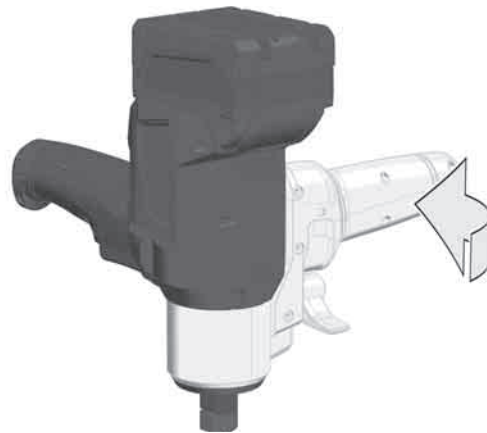




1



2

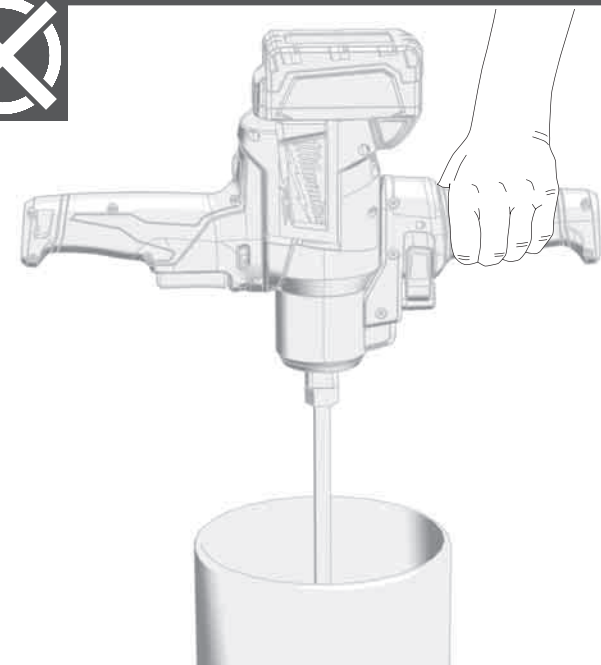
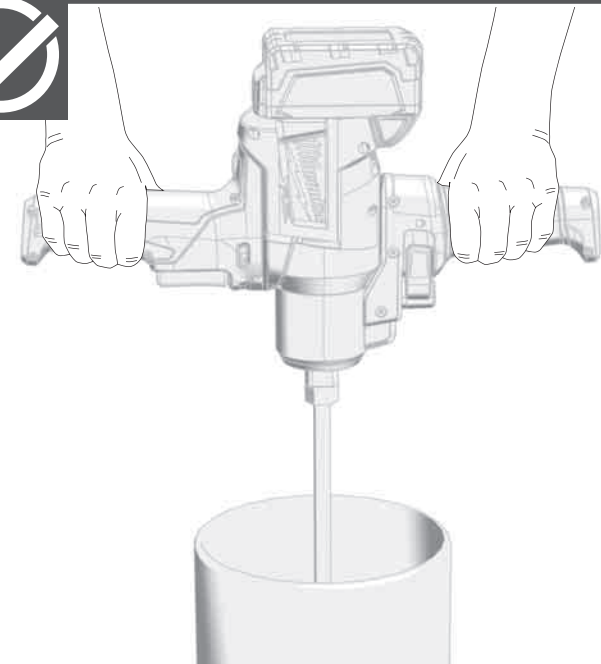


3



Hold the machine with both hands!  
Die Maschine mit beiden Händen festhalten!  
Tenir l'appareil avec les deux mains !  
Tenere la macchina con tutte e due le mani!  
Sujetar la máquina con ambas manos.  
Segure a máquina com ambas as mãos!  
De machine met beide handen vasthouden!  
Hold maskinen fast med begge hænder!  
Hold maskinen fast med begge hendene!  
Håll fast maskinen med båda händerna!  
Pitele konetta molemmiin käsin!  
Να κρατάτε τη συσκευή και με τα δύο χέρια!  
Makineyi iki elinizle sıkı bir şekilde tutunuz!  
Zařízení držte pevně oběma rukama!  
Zariadenie držte pevne oboma rukami!  
Urządzenie należy trzymać pewnie w obu dłoniach!  
A készüléket mindkét kézzel erősen tartsuk!  
Stroj močno držite z obema rokama!  
Stroj držati čvrsto sa obadvije ruke!  
Turiet iekārtu ar abām rokām!  
Laikykite prietaisą abiem rankomis!  
Hoidke masinat mõlema käega kinni!  
Крепко держатъ инструмент двумя руками!  
Дръжте машината здраво с две ръце!  
Тинеџи апаратул цу амbele мѐини!  
Држете ја машината со двете раце!  
Міцно тримати інструмент двома руками!

امسك الماكينة بكلتا اليدين!





| TECHNICAL DATA                             | CORDLESS HAND-HELD MIXER    | M18 FPM         |
|--|-----------------------------|-----------------|
| Production code.....                       | 4589 32 01...               | ...00001-999999 |
| No-load speed .....                        | 0-550 min <sup>-1</sup>     |                 |
| Tool holder .....                          | M14                         |                 |
| Maximum stirrer paddle diameter.....       | 120 mm                      |                 |
| Maximum recommended mixing capacities..... | 20 l                        |                 |
| Battery voltage.....                       | 18 V                        |                 |
| Weight without battery.....                | 2,3 kg                      |                 |
| Weight according EPTA-Procedure 01/2003    |                             |                 |
| with Battery 1.5 Ah / 2.0 Ah.....          | 2,6 kg                      |                 |
| with Battery 3.0 Ah / 4.0 Ah / 5.0 Ah..... | 3,0 kg                      |                 |
| with Battery 9.0 Ah.....                   | 3,4 kg                      |                 |
| Permitted Ambient Temperature              |                             |                 |
| during charging.....                       | 0 ... +50 °C                |                 |
| during operation and during storage.....   | -18 ... +50 °C              |                 |
| Recommended battery packs.....             | M18B                        |                 |
| Recommended charger.....                   | M12-18C, M12-18FC, M12-18AC |                 |

#### Noise/vibration information

Measured values determined according to EN 62841.

Typically, the A-weighted noise levels of the tool are:

Sound pressure level (Uncertainty K=3dB(A)) ..... 70,7 dB (A)

Sound power level (Uncertainty K=3dB(A))..... 81,7 dB (A)

#### Always wear ear protectors!

Total vibration values (vector sum in the three axes) determined according to EN 62841.

Vibration emission value a<sub>h</sub> ..... 1,2 m/s<sup>2</sup>

Uncertainty K= ..... 1,5 m/s<sup>2</sup>

#### WARNING

The vibration emission level given in this information sheet has been measured in accordance with a standardised test given in EN 62841 and may be used to compare one tool with another. It may be used for a preliminary assessment of exposure.

The declared vibration emission level represents the main applications of the tool. However if the tool is used for different applications, with different accessories or poorly maintained, the vibration emission may differ. This may significantly increase the exposure level over the total working period.

An estimation of the level of exposure to vibration should also take into account the times when the tool is switched off or when it is running but not actually doing the job. This may significantly reduce the exposure level over the total working period.

Identify additional safety measures to protect the operator from the effects of vibration such as: maintain the tool and the accessories, keep the hands warm, organisation of work patterns.

**⚠ WARNING Read all safety warnings, instructions, illustrations and specifications provided with this power tool.** Failure to follow all instructions listed below may result in electric shock, fire and/or serious injury. **Save all warnings and instructions for future reference.**

#### ⚠ HAND-HELD MIXER WARNINGS

**Hold the tool with both hands at the intended handles.** Loss of control can cause personal injury.

**Ensure sufficient ventilation when mixing flammable materials to avoid a hazardous atmosphere.** Developing vapour may be inhaled or be ignited by the sparks the power tools produces.

**Do not mix food.** Power tools and their accessories are not designed for processing food.

**Ensure that the mixing container is placed in a firm and secure position.** A container that is not properly secured may move unexpectedly.

**Ensure that no liquid splashes against the housing of the power tool.** Liquid that has penetrated the power tool can cause damage and lead the electric shock.

**Follow the instructions and warnings for the material to be mixed.** Material to be mixed may be harmful.

**Do not reach into the mixing container with your hands or insert any other objects into it while mixing.** Contact with the stirrer basket may lead to serious personal injury.

**Start up and run down the tool in the mixing container only.** The stirrer basket may bend or spin in an uncontrolled manner.

#### ADDITIONAL SAFETY AND WORKING INSTRUCTIONS

Use protective equipment. Always wear safety glasses when working with the machine. The use of protective clothing is recommended, such as dust mask, protective gloves, sturdy non-slip footwear, helmet and ear defenders.

The dust produced when using this tool may be harmful to health. Do not inhale the dust. Wear a suitable dust protection mask.

Do not machine any materials that present a danger to health (e.g. asbestos).

Switch the device off immediately if the insertion tool stalls! Do not switch the device on again while the insertion tool is stalled, as doing so could trigger a sudden recoil with a high reactive force. Determine why the insertion tool stalled and rectify this, paying heed to the safety instructions.

Do not reach into the machine while it is running.

Remove the battery pack before starting any work on the machine.

Do not dispose of used battery packs in the household refuse or by burning them. Milwaukee Distributors offer to retrieve old batteries to protect our environment.

Do not store the battery pack together with metal objects (short circuit risk).

Use only System M18 chargers for charging System M18 battery packs. Do not use battery packs from other systems.

Never break open battery packs and chargers and store only in dry rooms. Keep dry at all times.

Battery acid may leak from damaged batteries under extreme load or extreme temperatures. In case of contact with battery acid wash it off immediately with soap and water. In case of eye contact rinse thoroughly for at least 10 minutes and immediately seek medical attention.

**Warning!** To reduce the risk of fire, personal injury, and product damage due to a short circuit, never immerse your tool, battery pack or charger in fluid or al-low a fluid to flow inside them. Corrosive or conductive fluids, such as seawater, certain industrial chemicals, and bleach or bleach containing products, etc., Can cause a short circuit.

#### SPECIFIED CONDITIONS OF USE

The handheld mixer is intended for mixing pulverised building materials such as mortar, plaster, adhesives, as well as solventfree paint, varnish and similar substances.

Do not use this product in any other way as stated for normal use.

#### EC-DECLARATION OF CONFORMITY

We declare under our sole responsibility that the product described under "Technical Data" fulfills all the relevant regulations and the directives 2011/65/EU (RoHS), 2014/30/EU, 2006/42/EC, and the following harmonized standards have been used:

EN 62841-1:2015

EN 62841-2-10:2016

EN 55014-1:2006 + A1:2009 + A2:2011

EN 55014-2:2015

EN 50581:2012

Winnenden, 2017-08-31

*Alexander Krug*

Alexander Krug  
Managing Director



Authorized to compile the technical file.

Techtronic Industries GmbH  
Max-Eyth-Straße 10  
71364 Winnenden  
Germany

#### BATTERIES

Battery packs which have not been used for some time should be recharged before use.

Temperatures in excess of 50°C (122°F) reduce the performance of the battery pack. Avoid extended exposure to heat or sunshine (risk of overheating).

The contacts of chargers and battery packs must be kept clean.

For an optimum life-time, after use, the battery packs have to be fully charged.

To obtain the longest possible battery life remove the battery pack from the charger once it is fully charged.

For battery pack storage longer than 30 days:

Store the battery pack where the temperature is below 27°C and away from moisture

Store the battery packs in a 30% - 50% charged condition

Every six months of storage, charge the pack as normal.

#### BATTERY PACK PROTECTION

In extremely high torque, binding, stalling and short circuit situations that cause high current draw, the tool will vibrate for about 2 seconds and then the tool will turn OFF.

To reset, release the trigger.

Under extreme circumstances, the internal temperatur of the battery could become to high. If this happens, the battery will shut down.

Place the battery on the charger to charge and reset it.

#### TRANSPORTING LITHIUM BATTERIES

Lithium-ion batteries are subject to the Dangerous Goods Legislation requirements.

Transportation of those batteries has to be done in accordance with local, national and international provisions and regulations.

- The user can transport the batteries by road without further requirements.
- Commercial transport of Lithium-Ion batteries by third parties is subject to Dangerous Goods regulations. Transport preparation and transport are exclusively to be carried out by appropriately trained persons and the process has to be accompanied by corresponding experts.

When transporting batteries:

- Ensure that battery contact terminals are protected and insulated to prevent short circuit.
- Ensure that battery pack is secured against movement within packaging.
- Do not transport batteries that are cracked or leak.

Check with forwarding company for further advice

#### MAINTENANCE

Use only Milwaukee accessories and spare parts. Should components need to be replaced which have not been described, please contact one of our Milwaukee service agents (see our list of guarantee/service addresses).

If needed, an exploded view of the tool can be ordered. Please state the machine type printed as well as the six-digit No. on the label and order the drawing at your local service agents or directly at: Techtronic Industries GmbH, Max-Eyth-Straße 10, 71364 Winnenden, Germany.

#### SYMBOLS



CAUTION! WARNING! DANGER!



Remove the battery pack before starting any work on the machine.



Please read the instructions carefully before starting the machine.



Do not dispose electric tools, batteries/rechargeable batteries together with household waste material. Electric tools and batteries that have reached the end of their life must be collected separately and returned to an environmentally compatible recycling facility. Check with your local authority or retailer for recycling advice and collection point.



European Conformity Mark



National mark of conformity Ukraine



EurAsian Conformity Mark.

| TECHNISCHE DATEN                     | KABELLOSES HANDRÜHRGERÄT    | M18 FPM          |
|--------------------------------------|-----------------------------|------------------|
| Produktionsnummer .....              | 4589 32 01...               | ...000001-999999 |
| Leerlaufdrehzahl.....                | 0-550 min <sup>-1</sup>     |                  |
| Werkzeugaufnahme .....               | M14                         |                  |
| Max. Rührerdurchmesser.....          | 120 mm                      |                  |
| Max. empfohlene Mischung.....        | 20 l                        |                  |
| Spannung Wechselakku.....            | 18 V                        |                  |
| Gewicht mit Akku.....                | 2,3 kg                      |                  |
| Gewicht nach EPTA-Prozedur 01/2003   |                             |                  |
| mit Wechselakku 1,5 Ah / 2,0 Ah..... | 2,6 kg                      |                  |
| mit Wechselakku 3,0 Ah / 4,0 Ah..... | 3,0 kg                      |                  |
| mit Wechselakku 9,0 Ah.....          | 3,4 kg                      |                  |
| Zulässige Umgebungstemperatur        |                             |                  |
| beim Laden.....                      | 0 ... +50 °C                |                  |
| bei Betrieb und Lagerung.....        | -18 ... +50 °C              |                  |
| Empfohlene Akkupacks.....            | M18B                        |                  |
| Empfohlene Ladegeräte.....           | M12-18C, M12-18FC, M12-18AC |                  |

#### Geräusch/Vibrationsinformation

Messwerte ermittelt entsprechend EN 62841.

Der A-bewertete Geräuschpegel des Gerätes beträgt typischerweise:

Schalldruckpegel (Unsicherheit K=3dB(A))..... 70,7 dB (A)

Schalleistungspegel (Unsicherheit K=3dB(A))..... 81,7 dB (A)

#### Gehörschutz tragen!

Schwingungsgesamtwerte (Vektorsumme dreier Richtungen) ermittelt entsprechend EN 62841.

Schwingungsemissionswert a<sub>h</sub>..... 1,2 m/s<sup>2</sup>

Unsicherheit K=..... 1,5 m/s<sup>2</sup>

#### WARNUNG!

Der in diesen Anweisungen angegebene Schwingungspegel ist entsprechend einem in EN 62841 genormten Messverfahren gemessen worden und kann für den Vergleich von Elektrowerkzeugen miteinander verwendet werden. Er eignet sich auch für eine vorläufige Einschätzung der Schwingungsbelastung.

Der angegebene Schwingungspegel repräsentiert die hauptsächlichsten Anwendungen des Elektrowerkzeugs. Wenn allerdings das Elektrowerkzeug für andere Anwendungen, mit abweichenden Einsatzwerkzeugen oder ungenügender Wartung eingesetzt wird, kann der Schwingungspegel abweichen. Dies kann die Schwingungsbelastung über den gesamten Arbeitszeitraum deutlich erhöhen.

Für eine genaue Abschätzung der Schwingungsbelastung sollten auch die Zeiten berücksichtigt werden, in denen das Gerät abgeschaltet ist oder zwar läuft, aber nicht tatsächlich im Einsatz ist. Dies kann die Schwingungsbelastung über den gesamten Arbeitszeitraum deutlich reduzieren.

Lesen Sie zusätzliche Sicherheitsmaßnahmen zum Schutz des Bedieners vor der Wirkung von Schwingungen fest wie zum Beispiel: Wartung von Elektrowerkzeug und Einsatzwerkzeugen, Warmhalten der Hände, Organisation der Arbeitsabläufe.

#### **⚠️** WARNUNG! Lesen Sie alle Sicherheitshinweise, Anweisungen, Darstellungen und Spezifikationen für dieses Elektrowerkzeug.

Versäumnisse bei der Einhaltung der nachstehenden Anweisungen können elektrischen Schlag, Brand und/oder schwere Verletzungen verursachen.

#### **⚠️** WARNHINWEISE HANDRÜHRGERÄT

**Das Gerät mit beiden Händen an den dafür vorgesehenen Griffen halten.** Bei einem Verlust der Kontrolle über das Werkzeug droht Verletzungsgefahr.

**Beim Mischen von entflammaren Materialien für ausreichende Belüftung sorgen, damit keine explosionsgefährdete Atmosphäre entsteht.** Die entstehenden Dämpfe können eingeatmet werden oder sich durch die vom Elektrowerkzeug erzeugten Funken entzünden.

**Nicht für Lebensmittel verwenden.** Dieses Werkzeug und sein Zubehör sind nicht für die Verarbeitung von Lebensmitteln geeignet.

**Den Mischbehälter in einer stabilen Position sichern.** Ein nicht richtig gesicherter Behälter kann plötzlich verrutschen.

**Sicherstellen, dass keine Flüssigkeiten gegen das Gehäuse des Elektrowerkzeugs spritzen.** In das Elektrowerkzeug eintretende Flüssigkeiten können Schäden verursachen und zu Stromschlägen führen.

**Die für das Mischmaterial geltenden Anweisungen und Warnhinweise beachten.** Das zu mischende Material könnte schädlich sein.

**Nicht mit den Händen in den Mischbehälter greifen und während des Mischvorgangs keine Gegenstände in den Behälter einführen.** Der Kontakt mit dem Rührwerk kann schwere Verletzungen verursachen.

**Das Gerät nur im Mischbehälter starten und anhalten.** Das Rührwerk kann sich auf unkontrollierte Weise biegen oder drehen.

#### WEITERE SICHERHEITS- UND ARBEITSHINWEISE

Schutzrüstung verwenden. Beim Arbeiten mit der Maschine stets Schutzbrille tragen. Schutzkleidung wie Staubschutzmaske, Schutzhandschuhe, festes und rutschsicheres Schuhwerk, Helm und Gehörschutz werden empfohlen.

Beim Arbeiten entstehender Staub ist oft gesundheitsschädlich und sollte nicht in den Körper gelangen. Geeignete Staubschutzmaske tragen.

Es dürfen keine Materialien bearbeitet werden, von denen eine Gesundheitsgefährdung ausgeht (z.B. Asbest).

Beim Blockieren des Einsatzwerkzeuges bitte das Gerät sofort ausschalten! Schalten Sie das Gerät nicht wieder ein, solange das Einsatzwerkzeug blockiert ist; hierbei könnte ein Rückschlag mit hohem Reaktionsmoment entstehen. Ermitteln und beheben Sie die Ursache für die Blockierung des Einsatzwerkzeuges unter Berücksichtigung der Sicherheitshinweise.

Greifen Sie nicht in die laufende Maschine.

Vor allen Arbeiten an der Maschine den Wechselakku herausnehmen  
Verbrauchte Wechselakkus nicht ins Feuer oder in den Hausmüll werfen.  
Milwaukee bietet eine umweltgerechte Alt-Wechselakku-Entsorgung an; bitte fragen Sie Ihren Fachhändler.

Wechselakkus nicht zusammen mit Metallgegenständen aufbewahren (Kurzschlussgefahr).

Wechselakkus des Systems M18 nur mit Ladegeräten des Systems M18 laden. Keine Akkus aus anderen Systemen laden.

Wechselakkus und Ladegeräte nicht öffnen und nur in trockenen Räumen lagern. Vor Nässe schützen.

Unter extremer Belastung oder extremer Temperatur kann aus beschädigten Wechselakkus Batterieflüssigkeit auslaufen. Bei Berührung mit Batterieflüssigkeit sofort mit Wasser und Seife abwaschen. Bei

Augenkontakt sofort mindestens 10 Minuten gründlich spülen und unverzüglich einen Arzt aufsuchen.

**Warnung!** Um die durch einen Kurzschluss verursachte Gefahr eines Brandes, von Verletzungen oder Produktbeschädigungen zu vermeiden, tauchen Sie das Werkzeug, den Wechselakku oder das Ladegerät nicht in Flüssigkeiten ein und sorgen Sie dafür, dass keine Flüssigkeiten in die Geräte und Akkus eindringen. Korrodierende oder leitfähige Flüssigkeiten, wie Salzwasser, bestimmte Chemikalien und Bleichmittel oder Produkte, die Bleichmittel enthalten, können einen Kurzschluss verursachen.

#### BESTIMMUNGSGEMÄSSE VERWENDUNG

Das Handrührgerät dient zum Mischen von pulverförmigen Baumaterialien, wie Mörtel, Gips, Bindemittel, sowie von lösungsmittelfreien Farben, Lacken und ähnlichen Stoffen.

Dieses Gerät darf nur wie angegeben bestimmungsgemäß verwendet werden.

#### CE-KONFORMITÄTSERKLÄRUNG

Wir erklären in alleiniger Verantwortung, dass das unter „Technische Daten“ beschriebene Produkt mit allen relevanten Vorschriften der Richtlinie 2011/65/EU (RoHS), 2014/30/EU, 2006/42/EG und den folgenden harmonisierten normativen Dokumenten übereinstimmt:

EN 62841-1:2015

EN 62841-2:10:2016

EN 55014-1:2006 + A1:2009 + A2:2011

EN 55014-2:2015

EN 50581:2012

Winnenden, 2017-08-31

*Alexander Krug*

Alexander Krug  
Managing Director



Bevollmächtigt die technischen Unterlagen zusammenzustellen

Technronic Industries GmbH  
Max-Eyth-Straße 10  
71364 Winnenden  
Germany

#### AKKUS

Längere Zeit nicht benutzte Wechselakkus vor Gebrauch nachladen.

Eine Temperatur über 50°C vermindert die Leistung des Wechselakkus. Längere Erwärmung durch Sonne oder Heizung vermeiden.

Die Anschlusskontakte an Ladegerät und Wechselakku sauber halten.

Für eine optimale Lebensdauer müssen nach dem Gebrauch die Akkus voll geladen werden.

Für eine möglichst lange Lebensdauer sollten die Akkus nach dem Aufladen aus dem Ladegerät entfernt werden.

Bei Lagerung des Akkus länger als 30 Tage:  
Akku bei ca. 27°C und trocken lagern.  
Akku bei ca. 30%-50% des Ladezustandes lagern.  
Akku alle 6 Monate erneut aufladen.

#### AKKUÜBERLASTSCHUTZ

Bei Überlastung des Akkus durch sehr hohen Stromverbrauch, z.B. extrem hohe Drehmomente, Verklemmen des Bohrers, plötzlichem Stopp oder Kurzschluss, brummt das Elektrowerkzeug 2 Sekunden lang und schaltet sich selbsttätig ab.

Zum Wiedereinschalten, den Schalterdrücker loslassen und dann wieder einschalten.

Unter extremen Belastungen kann sich der Akku stark erhitzen. In diesem Fall schaltet der Akku ab.

Den Akku dann in das Ladegerät stecken um ihn wieder aufzuladen und zu aktivieren.

#### TRANSPORT VON LITHIUM-IONEN-AKKUS

Lithium-Ionen-Akkus fallen unter die gesetzlichen Bestimmungen zum Gefahrguttransport.

Der Transport dieser Akkus muss unter Einhaltung der lokalen, nationalen und internationalen Vorschriften und Bestimmungen erfolgen.

- Verbraucher dürfen diese Akkus ohne Weiteres auf der Straße transportieren.
- Der kommerzielle Transport von Lithium-Ionen-Akkus durch Speditionsunternehmen unterliegt den Bestimmungen des Gefahrguttransports. Die Versandvorbereitungen und der Transport dürfen ausschließlich von entsprechend geschulten Personen durchgeführt werden. Der gesamte Prozess muss fachmännisch begleitet werden.

Folgende Punkte sind beim Transport von Akkus zu beachten:

- Stellen Sie sicher, dass die Kontakte geschützt und isoliert sind, um Kurzschlüsse zu vermeiden.
- Achten Sie darauf, dass der Akkupack innerhalb der Verpackung nicht verrutschen kann.
- Beschädigte oder auslaufende Akkus dürfen nicht transportiert werden.

Wenden Sie sich für weitere Hinweise an Ihr Speditionsunternehmen.

#### WARTUNG

Nur Milwaukee Zubehör und Ersatzteile verwenden. Bauteile, deren Austausch nicht beschrieben wurde, bei einer Milwaukee Kundendienststelle auswechseln lassen (Broschüre Garantie/ Kundendienstadressen beachten).

Bei Bedarf kann eine Explosionszeichnung des Gerätes unter Angabe der Maschinen Type und der sechsstelligen Nummer auf dem Leistungsschild bei Ihrer Kundendienststelle oder direkt bei Technronic Industries GmbH, Max-Eyth-Straße 10, 71364 Winnenden, Germany angefordert werden.

#### SYMBOLE



ACHTUNG! WARNUNG! GEFAHR!



Vor allen Arbeiten an der Maschine den Wechselakku herausnehmen



Bitte lesen Sie die Gebrauchsanweisung vor Inbetriebnahme sorgfältig durch.



Elektrogeräte, Batterien/Akkus dürfen nicht zusammen mit dem Hausmüll entsorgt werden. Elektrische Geräte und Akkus sind getrennt zu sammeln und zur umweltgerechten Entsorgung bei einem Verwertungsbetrieb abzugeben. Erkundigen Sie sich bei den örtlichen Behörden oder bei Ihrem Fachhändler nach Recyclinghöfen und Sammelstellen.



CE-Zeichen



Nationales Konformitätszeichen Ukraine



EurAsian Konformitätszeichen.

| DONNÉES TECHNIQUES MALAXEUR PORTATIF SANS CÂBLE |                             | M18 FPM          |
|---|-----------------------------|------------------|
| Numéro de série .....                           | 4589 32 01...               | ...000001-999999 |
| Vitesse de rotation à vide .....                | 0-550 min <sup>-1</sup>     |                  |
| Porte-outils .....                              | M14                         |                  |
| Diamètre max. malaxeur .....                    | 120 mm                      |                  |
| Quantité max. à malaxer conseillée .....        | 20 l                        |                  |
| Tension accu interchangeable .....              | 18 V                        |                  |
| Poids avec l'accu .....                         | 2,3 kg                      |                  |
| Poids suivant EPTA-Procédure 01/2003            |                             |                  |
| avec batterie 1,5 Ah / 2,0 Ah .....             | 2,6 kg                      |                  |
| avec batterie 3,0 Ah / 4,0 Ah .....             | 3,0 kg                      |                  |
| avec batterie 9,0 Ah .....                      | 3,4 kg                      |                  |
| Température ambiante admise                     |                             |                  |
| lors du chargement .....                        | 0 ... +50 °C                |                  |
| lors du fonctionnement et du stockage .....     | -18 ... +50 °C              |                  |
| Batteries conseillées .....                     | M18B                        |                  |
| Chargeurs conseillés .....                      | M12-18C, M12-18FC, M12-18AC |                  |

### Informations sur le bruit et les vibrations

Valeurs de mesure obtenues conformément à la EN 62841.

Les mesures réelles (des niveaux acoustiques de l'appareil sont :

Niveau de pression acoustique (Incertitude K=3dB(A)) ..... 70,7 dB (A)

Niveau d'intensité acoustique (Incertitude K=3dB(A)) ..... 81,7 dB (A)

### Toujours porter une protection acoustique!

Valeurs totales des vibrations (somme vectorielle de trois sens) établies conformément à EN 62841.

Valeur d'émission vibratoire a<sub>h</sub> ..... 1,2 m/s<sup>2</sup>

Incertitude K= ..... 1,5 m/s<sup>2</sup>

### AVERTISSEMENT!

Le niveau vibratoire indiqué dans ces instructions a été mesuré selon un procédé de mesure normalisé dans la norme EN 62841 et peut être utilisé pour comparer des outils électriques entre eux. Il convient aussi à une estimation provisoire de la sollicitation par les vibrations.

Le niveau vibratoire indiqué représente les applications principales de l'outil électrique. Toutefois, si l'outil électrique est utilisé pour d'autres applications, avec des outils rapportés qui diffèrent ou une maintenance insuffisante, il se peut que le niveau vibratoire diverge. Cela peut augmenter nettement la sollicitation par les vibrations sur tout l'intervalle de temps du travail.

Pour une estimation précise de la sollicitation par les vibrations, on devrait également tenir compte des temps pendant lesquels l'appareil n'est pas en marche ou tourne sans être réellement en service. Cela peut réduire nettement la sollicitation par les vibrations sur tout l'intervalle de temps du travail.

Définissez des mesures de sécurité supplémentaires pour protéger l'utilisateur contre l'influence des vibrations, comme par exemple : la maintenance de l'outil électrique et des outils rapportés, le maintien au chaud des mains, l'organisation des déroulements de travail.

**AVERTISSEMENT! Lire tous les avertissements de sécurité, les instructions opérationnelles, les illustrations et les spécifications fournies avec cet outil électrique.** La non observance des instructions mentionnées ci-dessous peut causer des chocs électriques, des incendies ou de graves blessures.

### AVERTISSEMENTS MALAXEUR PORTATIF

**Tenir le dispositif avec les deux mains sur les poignées.** En cas de perte de contrôle sur l'outil, il y a danger de blessures.

**En cas de malaxage de matériaux inflammables, il est nécessaire d'assurer une ventilation adéquate en vue d'éviter la formation d'une atmosphère à risque d'explosion.** Les vapeurs qui se forment peuvent être inhalées ou être enflammées par des étincelles produites par l'outil électrique.

**Ne pas utiliser pour produits alimentaires.** Cet outil et ses accessoires ne sont pas appropriés pour travailler de produits alimentaires.

**Fixer le conteneur de malaxage d'une manière sûre dans une position stable.** Un conteneur non fixé d'une manière sûre pourrait se déplacer soudainement.

**S'assurer qu'il n'y ait pas de jets de liquide contre le châssis de l'outil électrique.** D'éventuels liquides pénétrés dans l'outil électrique peuvent causer dangers et choc électrique.

**Respecter les instructions et les avertissements concernant le matériau à malaxer.** Le matériau à malaxer pourrait être dangereux.

**Ne pas introduire les mains dans le conteneur de malaxage et lors de la phase de malaxage ne pas introduire d'objets dans le conteneur.** Le contact avec la tige malaxeur peut causer de graves blessures.

**Activer et désactiver le dispositif uniquement dans le conteneur de malaxage.** La tige malaxeur pourrait se tordre ou tourner d'une manière incontrôlée.

### AVIS COMPLÉMENTAIRES DE SÉCURITÉ ET DE TRAVAIL

Utiliser l'équipement de protection. Toujours porter des lunettes de protection pendant le travail avec la machine. Il est recommandé de porter des articles de protection, tels que masque antipoussière, gants de protection, chaussures tenant bien aux pieds et antidérapantes, casque et protection acoustique.

Les poussières qui sont dégagées pendant les travaux sont souvent nocives pour la santé et ne devraient pas pénétrer dans le corps. Porter un masque de protection approprié contre les poussières.

Il est interdit de travailler des matériaux dangereux pour la santé (par ex. amiante).

Désactiver immédiatement le dispositif en cas de blocage ! Ne pas réactiver le dispositif avec l'outil bloqué, il y a le risque de provoquer un contrecoup avec moment de réaction élevé. Établir et éliminer la cause du blocage de l'outil en prêtant attention aux consignes de sécurité.

Ne pas approcher les mains de la partie en mouvement de la machine.

Avant tous travaux sur la machine retirer l'accu interchangeable.

Ne pas jeter les accus interchangeables usés au feu ou avec les déchets ménagers. Milwaukee offre un système d'évacuation écologique des accus usés.

Ne pas conserver les accus interchangeables avec des objets métalliques (risque de court-circuit)

Ne charger les accus interchangeables du système M18 qu'avec le chargeur d'accus du système M18. Ne pas charger des accus d'autres systèmes.

Ne pas ouvrir les accus interchangeables et les chargeurs et ne les stocker que dans des locaux secs. Les protéger contre l'humidité.

En cas de conditions ou températures extrêmes, du liquide caustique peut s'échapper d'un accu interchangeable endommagé. En cas de contact avec le liquide caustique de la batterie, laver immédiatement avec de l'eau et du savon.

En cas de contact avec les yeux, rincer soigneusement avec de l'eau et consulter immédiatement un médecin.

**Avertissement!** Pour réduire le risque d'incendie, de blessures corporelles et de dommages cau-sés par un court-circuit, ne jamais immerger l'outil, le bloc-piles ou le chargeur dans un liquide ou laisser couler un fluide à l'intérieur de celui-ci. Les fluides corrosifs ou conducteurs, tels que l'eau de mer, certains produits chim-iques industriels, les produits de blanchiment ou de blanchi-ment, etc., Peuvent provoquer un court-circuit.

### UTILISATION CONFORME AUX PRESCRIPTIONS

La perceuse-visseuse à percussion électronique à accu est conçue pour un travail universel de perçage à percussion, de perçage et de vissage sans être branchée sur le secteur.

Comme déjà indiqué, cette machine n'est conçue que pour être utilisée conformément aux prescriptions.

### DÉCLARATION CE DE CONFORMITÉ

Nous déclarons sous notre seule responsabilité que le produit décrit sous « Caractéristiques techniques » concorde avec toutes les consignes pertinentes de la directive 2011/65 EU (RoHS), 2014/30/UE, 2006/42/CE et les documents normatifs harmonisés suivants :

EN 62841-1:2015

EN 62841-2-1:2010

EN 62841-2-10:2016

EN 55014-1:2006 + A1:2009 + A2:2011

EN 50142-2:2015

EN 50581:2012

Winnenden, 2017-08-31



Alexander Krug  
Managing Director



Autorisé à compiler la documentation technique.

Technic Industries GmbH  
Max-Eyth-Straße 10  
71364 Winnenden  
Germany

### ACCUS

Recharger les accus avant utilisation après une longue période de non utilisation.

Une température supérieure à 50°C amoindrit la capacité des accus. Eviter les expositions prolongées au soleil ou au chauffage.

Tenir propres les contacts des accus et des chargeurs.

Après l'usage, les accus doivent être chargés entièrement pour une durée de vie optimale.

Pour une plus longue durée de vie, enlever les batteries du chargeur de batterie quand celles-ci seront chargées.

En cas d'entreposage de la batterie pour plus de 30 jours:

Entreposer la batterie à 27°C environ dans un endroit sec.

Entreposer la batterie avec une charge d'environ 30% - 50%.

Recharger la batterie tous les 6 mois.

### PROTECTION DE L'ACCU CONTRE LES SURCHARGES

En cas de surcharge de l'accu suite à une consommation de courant très élevée, par exemple des couples extrêmement hauts, un coincement du foret, un arrêt soudain ou un court-circuit, l'outil électrique se met à bourdonner pendant 2 secondes et s'éteint automatiquement.

Pour le remettre en marche, il faut relâcher le poussoir de commutateur, puis l'enclencher à nouveau.

Il se peut que l'accu s'échauffe fortement s'il est soumis à des sollicitations extrêmes. Dans ce cas, il se déconnecte.

Mettre alors l'accu en place dans le chargeur pour le recharger et l'activer.

### TRANSPORT DE BATTERIES LITHIUM-ION

Les batteries lithium-ion sont soumises aux dispositions législatives concernant le transport de produits dangereux.

Le transport de ces batteries devra s'effectuer dans le respect des dispositions et des normes locales, nationales et internationales.

- Les utilisateurs peuvent transporter ces batteries sans restrictions.
- Le transport commercial de batteries lithium-ion est réglé par les dispositions concernant le transport de produits dangereux. La préparation au transport et le transport devront être effectués uniquement par du personnel formé de façon adéquate. Tout le procédé devra être géré d'une manière professionnelle.

Durant le transport de batteries il faut respecter les consignes suivantes :

- S'assurer que les contacts soient protégés et isolés en vue d'éviter des courts-circuits.
- S'assurer que le groupe de batteries ne puisse pas se déplacer à l'intérieur de son emballage.
- Des batteries endommagées ou des batteries perdant du liquide ne devront pas être transportées.

Pour tout renseignement complémentaire veuillez vous adresser à votre transporteur professionnel.

### ENTRETIEN

Utiliser uniquement les accessoires Milwaukee et les pièces détachées Milwaukee. Faire remplacer les composants dont le remplacement n'a pas été décrit, par un des centres de service après-vente Milwaukee (observer la brochure avec les adresses de garantie et de service après-vente).

En cas de besoin il est possible de demander un dessin éclaté du dispositif en indiquant le modèle de la machine et le numéro de six chiffres imprimé sur la plaquette de puissance et en s'adressant au centre d'assistance technique ou directement à Technic Industries GmbH, Max-Eyth-Straße 10, 71364 Winnenden, Germany.

### SYMBOLES



ATTENTION! AVERTISSEMENT! DANGER!



Avant tous travaux sur la machine retirer l'accu interchangeable.



Veuillez lire avec soin le mode d'emploi avant la mise en service



Les dispositifs électriques, les batteries et les batteries rechargeables ne sont pas à éliminer dans les déchets ménagers.

Les dispositifs électriques et les batteries sont à collecter séparément et à remettre à un centre de recyclage en vue de leur élimination dans le respect de l'environnement.

S'adresser aux autorités locales ou au détaillant spécialisé en vue de connaître l'emplacement des centres de recyclage et des points de collecte.



Marque CE



Symbole national de conformité Ukraine.



Marque de qualité EurAsian



| DATI TECNICI                                       | MISCELATORE A MANO SENZA CAVO | M18 FPM          |
|--|-------------------------------|------------------|
| Numero di serie .....                              | 4589 32 01...                 | ...000001-999999 |
| Numero di giri a vuoto .....                       | 0-550 min <sup>-1</sup>       |                  |
| Attacco utensile .....                             | M14                           |                  |
| Diametro max. miscelatore .....                    | 120 mm                        |                  |
| Quantità max. da miscelare consigliata .....       | 20 l                          |                  |
| Tensione batteria .....                            | 18 V                          |                  |
| Peso con batteria .....                            | 2,3 kg                        |                  |
| Peso secondo la procedura EPTA 01/2003             |                               |                  |
| con batteria 1,5 Ah / 2,0 Ah .....                 | 2,6 kg                        |                  |
| con batteria 3,0 Ah / 4,0 Ah .....                 | 3,0 kg                        |                  |
| con batteria 9,0 Ah .....                          | 3,4 kg                        |                  |
| Temperatura ambiente ammissibile                   |                               |                  |
| durante il caricamento .....                       | 0 ... +50 °C                  |                  |
| durante il funzionamento e l'immagazzinaggio ..... | -18 ... +50 °C                |                  |
| Batterie consigliate .....                         | M18B                          |                  |
| Caricatori consigliati .....                       | M12-18C, M12-18FC, M12-18AC   |                  |

#### Informazioni sulla rumorosità/sulle vibrazioni

Valori misurati conformemente alla norma EN 62841.

La misurazione A del livello di pressione acustica dell'utensile è di solito di:

Livello di rumorosità (Incertezza della misura K=3dB(A)) ..... 70,7 dB (A)  
 Potenza della rumorosità (Incertezza della misura K=3dB(A)) ..... 81,7 dB (A)

#### Utilizzare le protezioni per l'udito!

Valori totali delle oscillazioni (somma di vettori in tre direzioni) misurati conformemente alla norma EN 62841.

Valore di emissione dell'oscillazione a<sub>n</sub> ..... 1,2 m/s<sup>2</sup>  
 Incertezza della misura K= ..... 1,5 m/s<sup>2</sup>

#### AVVERTENZA!

Il livello di vibrazioni indicato nelle presenti istruzioni è stato misurato in conformità con un procedimento di misurazione codificato nella EN 62841 e può essere utilizzato per un confronto tra attrezzi elettrici. Inoltre si può anche utilizzare per una valutazione preliminare della sollecitazione da vibrazioni.

Il livello di vibrazioni indicato rappresenta le applicazioni principali dell'attrezzo elettrico. Se viceversa si utilizza l'attrezzo elettrico per altri scopi, con accessori differenti o con una manutenzione insufficiente, il livello di vibrazioni può risultare diverso. E questo può aumentare decisamente la sollecitazione da vibrazioni lungo l'intero periodo di lavorazione.

Ai fini di una valutazione precisa della sollecitazione da vibrazioni si dovrebbero tenere presente anche i periodi in cui l'apparecchio rimane spento oppure, anche se acceso, non viene effettivamente utilizzato. Ciò può ridurre notevolmente la sollecitazione da vibrazioni lungo l'intero periodo di lavorazione.

Stabilite misure di sicurezza supplementari per la tutela dell'operatore dall'effetto delle vibrazioni, come ad esempio: manutenzione dell'attrezzo elettrico e degli accessori, riscaldamento delle mani, organizzazione dei processi di lavoro.

**AVVERTENZA! Leggere tutte le avvertenze di sicurezza, istruzioni operative, illustrazioni e specifiche fornite con questo elettro utensile.** Il mancato rispetto delle istruzioni di seguito riportate può causare scosse elettriche, incendi e/o lesioni gravi.

#### AVVERTENZE MISCELATORE A MANO

**Tenere il dispositivo con tutte e due le mani sulle apposite impugnature.** In caso di perdita di controllo sull'utensile esiste pericolo di lesione.

**Miscelando materiali infiammabili occorre provvedere ad una sufficiente aerazione per evitare che si formi un'atmosfera a rischio di esplosione.** I vapori che si formano possono essere inalati o essere infiammati dalle scintille prodotte dall'utensile elettrico.

**Non usare per prodotti alimentari.** Questo utensile ed i suoi accessori non sono idonei per la lavorazione di prodotti alimentari.

**Fissare il contenitore di miscelazione in sicurezza in una posizione stabile.** Un contenitore non fissato in sicurezza potrebbe spostarsi all'improvviso.

**Accertarsi che non ci siano spruzzi di liquido contro lo chassis dell'utensile elettrico.** Eventuali liquidi che dovessero penetrare all'interno dell'utensile elettrico possono causare danni e folgorazioni elettriche.

**Rispettare le istruzioni e le avvertenze applicabili al materiale da miscelare.** Il materiale da miscelare potrebbe essere dannoso.

**Non introdurre le mani all'interno del contenitore di miscelazione, e durante la fase di miscelazione non introdurre oggetti all'interno del contenitore.** Il contatto con la frusta di miscelazione può causare lesioni gravi.

**Avviare ed arrestare il dispositivo soltanto all'interno del contenitore di miscelazione.** La frusta di miscelazione potrebbe torcersi o girare in maniera incontrollata.

#### ULTERIORI AVVISI DI SICUREZZA E DI LAVORO

Usare dispositivi di protezione. Durante il lavoro con la macchina bisogna sempre portare occhiali di protezione. Si consiglia di indossare indumenti di protezione come maschera antipolvere, guanti di protezione, scarpe antiscivolo robuste, casco e cuffie di protezione acustica.

La polvere che si produce durante il lavoro è spesso dannosa per la salute e non dovrebbe essere aspirata. Portare un'adeguata mascherina protettiva.

E' vietato lavorare materiali che possono costituire pericoli alla salute (ad es. amianto).

Spegnere immediatamente il dispositivo in caso di bloccaggio! Non riaccendere il dispositivo fino a quando l'utensile ad inserto resta bloccato; esiste il rischio di causare un contraccolpo con elevato momento di reazione. Rilevare ed eliminare la causa del bloccaggio dell'utensile ad inserto tenendo conto delle indicazioni di sicurezza.

Non avvicinare le mani alla parte della macchina in movimento.

Prima di iniziare togliere la batteria dalla macchina.

Non gettare le batterie esaurite sul fuoco o nella spazzatura di casa. La Milwaukee offre infatti un servizio di recupero batterie usate.

Nel vano d'innesto per la batteria del caricatore non devono entrare parti metalliche (pericolo di cortocircuito).

Le batterie del System M18 sono ricaricabili esclusivamente con i caricatori del System M18. Le batterie di altri sistemi non possono essere ricaricate.

Non aprire nè la batteria nè il caricatore e conservarli solo in luogo asciutto. Proteggerli dalla umidità.

Nel caso di batterie danneggiate da un carico eccessivo o da temperature alte, l'acido di queste potrebbe fuoriuscire. In caso di contatto con l'acido delle batterie lavarsi immediatamente con acqua e sapone. In caso di contatto con gli occhi risciacquare immediatamente con acqua per almeno 10 minuti e contattare subito un medico.

**Attenzione!** Per ridurre il rischio d'incendio, di lesioni o di danni al prodotto causati da corto circuito, non immergere mai l'utensile, la batteria ricaricabile o il carica batterie in un liquido e non lasciare mai penetrare alcun liquido all'interno dei dispositivi e delle batterie. I fluidi corrosivi o conduttori come acqua salata, alcuni agenti chimici, agenti candeggianti o prodotti contenenti agenti candeggianti potrebbero provocare un corto circuito.

#### UTILIZZO CONFORME

Il miscelatore a mano serve per miscelare materiali edili in forma di polvere, come malta, gesso, leganti nonché vernici e smalti esenti da solventi e sostanze simili.

Utilizzare il prodotto solo per l'uso per cui è previsto.

#### DICHIARAZIONE DI CONFORMITÀ CE

Dichiariamo sotto la nostra esclusiva responsabilità che il prodotto descritto ai "Dati tecnici" corrisponde a tutte le disposizioni delle direttive 2011/65/EU (RoHS), 2014/30/UE, 2006/42/CE e successivi documenti normativi armonizzati:

EN 62841-1:2015  
 EN 62841-2-1:2010  
 EN 62841-2-10:2016  
 EN 55014-1:2006 + A1:2009 + A2:2011  
 EN 55014-2:2015  
 EN 50581:2012

Winnenden, 2017-08-31

*Alexander Krug*

Alexander Krug  
 Managing Director



Autorizzato alla preparazione della documentazione tecnica

Techtronic Industries GmbH  
 Max-Eyth-Straße 10  
 71364 Winnenden  
 Germany

#### BATTERIE

Batterie non utilizzate per molto tempo devono essere ricaricate prima dell'uso.

A temperature superiori ai 50°C, la potenza della batteria si riduce.

Evitare di esporre l'accumulatore a surriscaldamento prolungato, dovuto ad esempio ai raggi del sole o ad un impianto di riscaldamento.

Per una durata di vita ottimale, dopo l'uso le batterie devono essere completamente ricaricate.

Per una più lunga durata, rimuovere le batterie dal caricabatterie quando saranno cariche.

In caso di immagazzinaggio della batteria per più di 30 giorni: Immagazzinare la batteria a circa 27°C in ambiente asciutto. Immagazzinare la batteria con carica di circa il 30% - 50%. Ricaricare la batteria ogni 6 mesi.

#### DISPOSITIVO ANTISOVRACCARICO ACCUMULATORE

In caso di sovraccarico dell'accumulatore dovuto a consumo molto elevato di corrente, ad es. coppie di serraggio estremamente elevate, bloccaggio della punta, arresto improvviso o cortocircuito, l'elettro utensile romba per 2 secondi o poi si spegne automaticamente.

Per riaccenderlo, rilasciare l'interruttore e poi riaccenderlo. Se sottoposto a carichi estremi, l'accumulatore può surriscaldarsi. In questo caso l'accumulatore si spegne. Inserire l'accumulatore nell'apparecchio carica-batterie per ricaricarlo e attivarlo.

#### TRASPORTO DI BATTERIE AGLI IONI DI LITIO

Le batterie agli ioni di litio sono soggette alle disposizioni di legge sul trasporto di merce pericolosa.

Il trasporto di queste batterie deve avvenire rispettando le disposizioni e norme locali, nazionali ed internazionali.

- Gli utilizzatori possono trasportare queste batterie su strada senza alcuna restrizione.
- Il trasporto commerciale di batterie agli ioni di litio è regolato dalle disposizioni sul trasporto di merce pericolosa. Le preparazioni al trasporto ed il trasporto stesso devono essere svolti esclusivamente da persone idoneamente istruite. Tutto il processo deve essere gestito in maniera professionale.

Durante il trasporto di batterie occorre tenere conto di quanto segue:

- Assicurarsi che i contatti siano protetti ed isolati per evitare corto circuiti.
- Accertarsi che il gruppo di batterie non possa spostarsi all'interno dell'imballaggio.
- Batterie danneggiate o batterie che perdono liquido non devono essere trasportate.

Per ulteriori informazioni si prega di contattare il proprio trasportatore.

#### MANUTENZIONE

Usare solo accessori Milwaukee e pezzi di ricambio Milwaukee. Gruppi costruttivi la cui sostituzione non è stata descritta, devono essere fatti cambiare da un punto di servizio di assistenza tecnica al cliente Milwaukee (vedi depliant garanzia/indirizzi assistenza tecnica ai clienti).

In caso di necessità è possibile richiedere un disegno esploso del dispositivo indicando il modello della macchina ed il numero a sei cifre sulla targa di potenza rivolgendosi al centro di assistenza tecnica o direttamente a Techtronic Industries GmbH, Max-Eyth-Straße 10, 71364 Winnenden, Germany.

#### SIMBOLI



ATTENZIONE! AVVERTENZA! PERICOLO!



Prima di iniziare togliere la batteria dalla macchina.



Leggere attentamente le istruzioni per l'uso prima di mettere in funzione l'elettro utensile.



I dispositivi elettrici, le batterie e le batterie ricaricabili non devono essere smaltiti con i rifiuti domestici. I dispositivi elettrici e le batterie devono essere raccolti separatamente e devono essere conferiti ad un centro di riciclaggio per lo smaltimento rispettoso dell'ambiente. Chiedere alle autorità locali o al rivenditore specializzato dove si trovano i centri di riciclaggio e i punti di raccolta.



Marchio CE



Simbolo di conformità nazionale Ucraina



Marchio di conformità EurAsian

| DATOS TÉCNICOS MEZCLADORA DE MANO INALÁMBRICA      |                             | M18 FPM          |
|--|-----------------------------|------------------|
| Número de producción .....                         | 4589 32 01...               | ...000001-999999 |
| Velocidad en vacío .....                           | 0-550 min <sup>-1</sup>     |                  |
| Portaherramientas .....                            | M14                         |                  |
| Diámetro máximo del agitador.....                  | 120 mm                      |                  |
| Cantidad máxima de mezcla recomendada .....        | 20 l                        |                  |
| Voltaje de batería.....                            | 18 V                        |                  |
| Peso con batería .....                             | 2,3 kg                      |                  |
| Peso de acuerdo con el procedimiento EPTA 01/2003  |                             |                  |
| con batería 1,5 Ah / 2,0 Ah.....                   | 2,6 kg                      |                  |
| con batería 3,0 Ah / 4,0 Ah.....                   | 3,0 kg                      |                  |
| con batería 9,0 Ah.....                            | 3,4 kg                      |                  |
| Temperatura ambiente admisible                     |                             |                  |
| durante la carga .....                             | 0 ... +50 °C                |                  |
| durante el funcionamiento y el almacenamiento..... | -18 ... +50 °C              |                  |
| Juegos de baterías recomendados .....              | M18B                        |                  |
| Cargadores recomendados.....                       | M12-18C, M12-18FC, M12-18AC |                  |

### Información sobre ruidos / vibraciones

Determinación de los valores de medición según norma EN 62841.

El nivel de ruido típico del aparato determinado con un filtro A corresponde a:

Presión acústica (Tolerancia K=3dB(A))..... 70,7 dB (A)  
Resonancia acústica (Tolerancia K=3dB(A))..... 81,7 dB (A)

### Usar protectores auditivos!

Nivel total de vibraciones (suma vectorial de tres direcciones) determinado según EN 62841.

Valor de vibraciones generadas a<sub>h</sub>..... 1,2 m/s<sup>2</sup>  
Tolerancia K= ..... 1,5 m/s<sup>2</sup>

### ADVERTENCIA!

El nivel vibratorio indicado en estas instrucciones ha sido medido conforme a un método de medición estandarizado en la norma EN 62841, y puede utilizarse para la comparación entre herramientas eléctricas. También es apropiado para una estimación provisional de la carga de vibración.

El nivel vibratorio indicado representa las aplicaciones principales de la herramienta eléctrica. Si, pese a ello, se utiliza la herramienta eléctrica para otras aplicaciones, con útiles adaptables diferentes o con un mantenimiento insuficiente, el nivel vibratorio puede diferir. Esto puede incrementar sensiblemente la carga de vibración durante todo el periodo de trabajo.

Para una estimación exacta de la carga de vibración deberían tenerse en cuenta también los tiempos durante los que el aparato está apagado o, pese a estar en funcionamiento, no está siendo realmente utilizado. Esto puede reducir sustancialmente la carga de vibración durante todo el periodo de trabajo.

Adopte medidas de seguridad adicionales para la protección del operador frente al efecto de las vibraciones, como por ejemplo: mantenimiento de la herramienta eléctrica y de los útiles adaptables, mantener las manos calientes, organización de los procesos de trabajo.

**⚠ ADVERTENCIA:** Lea todas las advertencias de peligro, instrucciones, ilustraciones y especificaciones suministradas con esta herramienta eléctrica. En caso de no atenderse a las instrucciones siguientes, ello puede ocasionar una descarga eléctrica, un incendio y/o lesión grave.

### ⚠ ADVERTENCIAS MEZCLADORA DE MANO

**Sujetar la herramienta con ambas manos en los mangos previstos para ello.** Si pierde el control sobre la herramienta existe peligro de lesiones.

**Asegurar una buena ventilación de aire para evitar que se produzca una atmósfera potencialmente explosiva durante la mezcla de materiales inflamables.** Los vapores tóxicos resultantes podrían ser inhalados o incendiarse por las chispas producidas por el aparato eléctrico.

**No utilizar para mezclar alimentos.** Esta herramienta y sus accesorios no son adecuados para el procesamiento de alimentos.

**Asegurar que la mezcladora se encuentre en una posición estable y segura.** Un recipiente no asegurado de forma correspondiente puede desplazarse repentinamente.

**Asegurar que no salpique líquido contra la carcasa de la herramienta eléctrica.** La penetración de líquido puede causar daños y provocar descargas eléctricas.

**Observar las indicaciones y advertencias para el material a mezclarse.** El material a mezclarse podría ser nocivo.

**No introducir las manos u objetos en el recipiente de mezcla durante la operación de mezclado.** El contacto con el agitador puede causar graves lesiones.

**Arrancar y detener la herramienta únicamente en el recipiente de mezcla.** El agitador puede torcerse o girar de manera incontrolada.

### INSTRUCCIONES ADICIONALES DE SEGURIDAD Y LABORALES

Utilice el equipamiento de protección. Mientras trabaje con la máquina lleve siempre gafas protectoras. Se recomienda utilizar ropa de protección como máscara protectora contra el polvo, guantes protectores, calzado resistente y antideslizante, casco y protección para los oídos.

El polvo que se produce durante estos trabajos puede ser nocivo a la salud; es por ello es aconsejable que no penetre al cuerpo. Utilice por ello una máscara protectora contra polvo.

No se deben trabajar materiales que conlleven un riesgo para la salud (por ej. amianto).

¡En caso de que se bloquee el útil, el aparato se debe desconectar inmediatamente! No vuelva a conectar el aparato, mientras el útil esté bloqueado; se podría producir un rechazo debido a la reacción de retroceso brusca. Averigüe y elimine la causa del bloqueo del útil, teniendo en cuenta las indicaciones de seguridad.

No introduzca las manos en la máquina mientras ésta se encuentra en funcionamiento.

Retire la batería antes de comenzar cualquier trabajo en la máquina.

No tire las baterías usadas a la basura ni al fuego. Los Distribuidores Milwaukee ofrecen un servicio de recogida de baterías antiguas para proteger el medio ambiente.

No almacene la batería con objetos metálicos (riesgo de cortocircuito).

Recargar solamente los acumuladores del Sistema M18 en cargadores M18. No intentar recargar acumuladores de otros sistemas.

No abra nunca las baterías ni los cargadores y guárdelos sólo en lugares secos. Protéjalos de la humedad en todo momento.

En caso de sobrecarga o alta temperatura, pueden llegar a producirse escapes de ácido provenientes de la batería. En caso de contacto con éste, limpie inmediatamente la zona con agua y jabón. Si el contacto es en los ojos, límpiese concienzudamente con agua durante 10 minutos y acuda inmediatamente a un médico

**Advertencia!** Para reducir el riesgo de incendio, lesión personales y daños al producto debido a un cortocircuito, no sumerja nunca la herramienta, el paquete de baterías o el cargador en líquido ni permita que fluya un fluido dentro de ellos. Los fluidos corrosivos o conductivos, como el agua de mar, ciertos productos químicos-cos industriales y blanqueadores o lejías que contienen, etc., Pueden causar un cortocircuito.

### APLICACIÓN DE ACUERDO A LA FINALIDAD

Il miscelatore a mano serve per miscelare materiali edili in forma di polvere, come malta, gesso, leganti nonché vernici e smalti essenti da solventi e sostanze simili.

No utilice este producto para ninguna otra aplicación que no sea su uso normal.

### DECLARACION DE CONFORMIDAD CE

Declaramos bajo nuestra responsabilidad que el producto descrito bajo "Datos técnicos" está en conformidad con todas las normas relevantes de la directiva 2011/65/EU (RoHS), 2014/30/UE, 2006/42/CE y con las siguientes normas o documentos normalizados:

EN 62841-1:2015  
EN 62841-2-1:2010  
EN 62841-2-10:2016  
EN 55014-1:2006 + A1:2009 + A2:2011  
EN 55014-2:2015  
EN 50581:2012

Winnenden, 2017-08-31

*Alexander Krug*

Alexander Krug  
Managing Director



Autorizado para la redacción de los documentos técnicos.

Techtronic Industries GmbH  
Max-Eyth-Straße 10  
71364 Winnenden  
Germany

### BATERIA

Las baterías no utilizadas durante cierto tiempo deben ser recargadas antes de usar.

Las temperaturas superiores a 50°C reducen el rendimiento de la batería. Evite una exposición excesiva a fuentes de calor o al sol (riesgo de sobrecalentamiento).

Los puntos de contacto de los cargadores y las baterías se deben mantener limpios.

Para un tiempo de vida óptimo, deberán cargarse completamente las baterías después de su uso.

Para garantizar la máxima capacidad y vida útil, las baterías recargables se deberían retirar del cargador una vez finalizada la carga.

En caso de almacenar la batería recargable más de 30 días:  
Almacenar la batería recargable en un lugar seco a una temperatura de aproximadamente 27°C.  
Almacenar la batería recargable con un estado de carga del 30% y 50% aproximadamente.

Recargar la batería cada 6 meses.

### PROTECCIÓN CONTRA SOBRECARGA DE LA BATERÍA

En caso de sobrecarga del acumulador por consumo muy elevado de corriente, por ej. debido a pares muy elevados, agarrotamiento del taladro, parada repentina o cortocircuito, la herramienta eléctrica zumbará durante 2 segundos y se desconectará automáticamente.

Para reconectarla, liberar primero el gatillo interruptor y después conectarla de nuevo. Bajo cargas extremas, el acumulador se puede calentar mucho. En este caso desconectar el acumulador.

Meta entonces la batería en el cargador para recargarla otra vez y activarla.

### TRANSPORTE DE BATERÍAS DE IONES DE LITIO

Las baterías de iones de litio caen bajo las disposiciones legales relativas al transporte de mercancías peligrosas.

El transporte de estas baterías recargables debe llevarse a cabo, observando las normas y disposiciones locales, nacionales e internacionales.

- Los consumidores pueden transportar estas baterías recargables sin el menor reparo en la calle.
- El transporte comercial de baterías recargables de iones de litio por empresas de transportes está sometido a las disposiciones del transporte de mercancías peligrosas. Las preparaciones para el envío y el transporte deben ser llevados a cabo exclusivamente por personas instruidas adecuadamente. El proceso completo debe ser supervisado por personal competente.

Los siguientes puntos se deben observar para el transporte de las baterías recargables:

- Se debe asegurar que los contactos estén protegidos y aislados para evitar que se produzcan cortocircuitos.
- Preste atención a que el conjunto de baterías recargables no se pueda desplazar dentro del envase.
- Las baterías recargables deterioradas o derramadas no se deben transportar.

Rogamos que para cualquier información adicional se dirija a su empresa de transportes.

### MANTENIMIENTO

Utilice solamente accesorios y repuestos Milwaukee. En caso de necesitar reemplazar componentes no descritos, contacte con cualquiera de nuestras estaciones de servicio Milwaukee (consultar lista de servicio técnicos)

Puede solicitar, en caso necesario, una vista despiezada del aparato bajo indicación del tipo de máquina y el número de seis dígitos en la placa indicadora de potencia en su Servicio de Postventa o directamente en Techtronic Industries GmbH, Max-Eyth-Straße 10, 71364 Winnenden, Germany.

### SÍMBOLOS



¡ATENCIÓN! ¡ADVERTENCIA! ¡PELIGRO!



Retire la batería antes de comenzar cualquier trabajo en la máquina.



Lea las instrucciones detenidamente antes de conectar la herramienta



Los electrodomésticos y las baterías/acumuladores no se deben eliminar junto con la basura doméstica. Los aparatos eléctricos y los acumuladores se deben recoger por separado y se deben entregar a una empresa de reciclaje para una eliminación respetuosa con el medio ambiente. Infórmese en las autoridades locales o en su tienda especializada sobre los centros de reciclaje y puntos de recogida.



Marca CE



Marca de conformidad nacional de Ucrania



certificado EAC de conformidad

| DADOS TÉCNICOS                               | AGITADOR MANUAL SEM FIO     | M18 FPM          |
|--|-----------------------------|------------------|
| Número de produção.....                      | 4589 32 01...               | ...000001-999999 |
| Velocidade em vazio.....                     | 0-550 min <sup>-1</sup>     |                  |
| Porta-ferramentas.....                       | M14                         |                  |
| Diâmetro máximo do agitador.....             | 120 mm                      |                  |
| Capacidade de mistura máx. recomendada.....  | 20 l                        |                  |
| Tensão do acumulador.....                    | 18 V                        |                  |
| Peso com acumulador.....                     | 2,3 kg                      |                  |
| Peso nos termos do procedimento-EPTA 01/2003 |                             |                  |
| com bateria 1,5 Ah / 2,0 Ah.....             | 2,6 kg                      |                  |
| com bateria 3,0 Ah / 4,0 Ah.....             | 3,0 kg                      |                  |
| com bateria 9,0 Ah.....                      | 3,4 kg                      |                  |
| Temperatura ambiente admissível              |                             |                  |
| ao carregar.....                             | 0 ... +50 °C                |                  |
| na operação e no armazenamento.....          | -18 ... +50 °C              |                  |
| Conjuntos de baterias recomendados.....      | M18B                        |                  |
| Carregadores recomendados.....               | M12-18C, M12-18FC, M12-18AC |                  |

#### Informações sobre ruído/vibração

Valores de medida de acordo com EN 62841.

O nível de ruído avaliado A do aparelho é tipicamente:

Nível da pressão de ruído (Incertez K=3dB(A))..... 70,7 dB (A)

Nível da potência de ruído (Incertez K=3dB(A))..... 81,7 dB (A)

#### Use protectores auriculares!

Valores totais de vibração (soma dos vectores das três direcções) determinadas conforme EN 62841.

Valor de emissão de vibração a..... 1,2 m/s<sup>2</sup>

Incerteza K=..... 1,5 m/s<sup>2</sup>

#### ATENÇÃO!

O nível vibratório indicado nestas instruções foi medido em conformidade com um procedimento de medição normalizado na EN 62841 e pode ser utilizado para comparar entre si ferramentas eléctricas. O mesmo é também adequado para avaliar provisoriamente o esforço vibratório.

O nível vibratório indicado representa as principais aplicações da ferramenta eléctrica. Se, no entanto, a ferramenta eléctrica for utilizada para outras aplicações, com outras ferramentas adaptadas ou uma manutenção insuficiente, o nível vibratório poderá divergir. Isto pode aumentar consideravelmente o esforço vibratório ao longo de todo o período do trabalho.

Para uma avaliação exacta do esforço vibratório devem também ser considerados os tempos durante os quais o aparelho está desligado ou está a funcionar, mas não está efectivamente a ser utilizado. Isto pode reduzir consideravelmente o esforço vibratório ao longo de todo o período do trabalho.

Defina medidas de segurança suplementares para proteger o operador do efeito das vibrações, como por exemplo: manutenção da ferramenta eléctrica e das ferramentas adaptadas, manter as mãos quentes, organização das sequências de trabalho.

**⚠ ADVERTÊNCIA** Devem ser lidas todas as advertências de segurança, instruções, ilustrações e especificações fornecidas com esta ferramenta eléctrica. O desrespeito das advertências e instruções apresentadas abaixo pode causar choque eléctrico, incêndio e/ou graves lesões.

#### ⚠ AVISOS PARA O AGITADOR MANUAL SEM FIO

**Segure o aparelho com ambas as mãos nos manípulos previstos.** Risco de ferir-se em caso de perda de controlo sobre a ferramenta.

**Cuide de uma ventilação suficiente ao misturar materiais inflamáveis para evitar a formação de uma atmosfera explosiva.** Existe o risco de aspirar os vapores resultantes ou deles se inflamarem através das chamas produzidas pela ferramenta eléctrica.

**Não usar para alimentos. Esta ferramenta e os seus acessórios não se destinam ao processamento de alimentos.**

**Fixe o recipiente de mistura em uma posição segura.** Um recipiente não fixado corretamente pode deslocar-se repentinamente.

**Assegure-se de que líquidos não salpiquem na caixa da ferramenta eléctrica.** Líquidos que penetrem na ferramenta eléctrica podem causar danos ou choques eléctricos.

**Observe as instruções e os avisos vigentes para o material misturado.** O material misturado pode ser nocivo.

**Não coloque as mãos no recipiente para mistura e não introduza objetos no recipiente durante a mistura.** O contato com o agitador pode levar a feridas graves.

**Só arranque e pare o aparelho no recipiente de mistura.** O agitador pode virar ou girar de forma incontrolada.

#### INSTRUÇÕES DE SEGURANÇA E TRABALHO SUPLEMENTARES

Utilizar equipamento de protecção. Durante os trabalhos com a máquina, usar sempre óculos de protecção. Vestuário de protecção, bem como máscara de pó, sapatos fechados e antiderrapante, capacete e protecção auditiva são recomendados.

O pó que resulta ao trabalhar pode ser nocivo para a saúde, por isso não devendo penetrar no corpo. Use uma máscara de protecção contra pó apropriada.

Não devem ser procesados materiais que representem um perigo para a saúde (p. ex. asbesto).

Desligue o aparelho imediatamente, quando a ferramenta de inserção bloquear! Não ligue o aparelho novamente durante o bloqueio da ferramenta de inserção, pois isso pode levar a um recuo repentino com uma alta força reactiva. Verifique e elimine a causa do bloqueio da ferramenta de inserção, observando as instruções de segurança.

Não toque na máquina em operação.

Antes de efectuar qualquer intervenção na máquina retirar o bloco acumulador.

Não queimar acumuladores gastos nem deitá-los no lixo doméstico. A Milwaukee possui uma eliminação de acumuladores gastos que respeita o meio ambiente.

Não guardar acumuladores junto com objectos metálicos (perigo de curto-circuito).

Use apenas carregadores do Sistema M18 para recarregar os acumuladores do Sistema M18. Não utilize acumuladores de outros sistemas.

Carregadores só devem ser utilizados em recintos secos.

Em caso de cargas ou temperaturas extremas, um acumulador de substituição danificado poderá verter líquido de bateria. Se entrar em contacto com este líquido, deverá lavar-se imediatamente com água e sabão. Em caso de contacto com os olhos, enxágue-os bem e de imediato durante pelo menos 10 minutos e consulte um médico o mais depressa possível.

**Advertência!** Para evitar o risco de incêndio, de feridas ou de danificação do produto causado por um curto-circuito, não imerja a bateria intercambiável ou o carregador em líquidos e assegure-se de que líquidos não penetrem nos aparelhos ou nas baterias. Líquidos corrosivos ou condutivos como água salgada, determinadas substâncias químicas e produtos que contenham branqueadores podem causar um curto-circuito.

#### UTILIZAÇÃO AUTORIZADA

O agitador manual destina-se a misturar materiais de construção em pó como argamassa, gesso, aglutinantes, assim como tintas, lacas sem solventes e substâncias similares.

Não use este produto de outra maneira sem ser a normal para o qual foi concebido.

#### DECLARAÇÃO DE CONFORMIDADE CE

Declaramos sob responsabilidade exclusiva, que o produto descrito sob "Dados técnicos" corresponde com todas as disposições relevantes da diretiva 2011/65/EU (RoHS), 2014/30/UE, 2006/42/CE e dos seguintes documentos normativos harmonizados.

EN 62841-1:2015

EN 62841-2-1:2010

EN 62841-2-10:2016

EN 55014-1:2006 + A1:2009 + A2:2011

EN 55014-2:2015

EN 50581:2012

Winnenden, 2017-08-31



Alexander Krug  
Managing Director

Autorizado a reunir a documentação técnica.

Techtronic Industries GmbH  
Max-Eyth-Straße 10  
71364 Winnenden  
Germany



#### ACUMULADOR

Acumuladores não utilizados durante algum tempo devem ser recarregados antes da sua utilização.

Temperaturas acima de 50°C reduzem a capacidade do bloco acumulador. Evitar exposição prolongada ao sol ou a caloríferos.

Manter limpos os contactos eléctricos no carregador e no bloco acumulador.

Para uma vida útil óptima dos acumuladores, terá que carregá-los plenamente após a sua utilização.

Para assegurar uma vida útil longa, o pacote de bateria deve ser removido da carregadora depois do carregamento.

Se o pacote de bateria for armazenado por mais de 30 dias:

Armazene o pacote de bateria com aprox. 27°C em um lugar seco.

Armazene o pacote de bateria com aprox. 30%-50% da carga completa.

Carregue o pacote de bateria novamente de 6 em 6 meses.

#### PROTECÇÃO DE SOBRECARGA DE BATERIA

No caso de sobrecarga da bateria devido a um consumo de corrente demasiado elevado, por exemplo um binário de rotação extremamente elevado, um bloqueio da broca, uma paragem repentina ou um curto-circuito, a ferramenta eléctrica vibra durante 2 segundos e desliga-se automaticamente.

Para a ligar novamente, desligar e voltar a ligar o interruptor. Sob condições extremas, a bateria pode aquecer demasiado. Neste caso a bateria desliga-se. Voltar então a colocar o acumulador no carregador para o carregar de novo e para assim o activar.

#### TRANSPORTE DE BATERIAS DE IÃO-LÍLIO

Baterias de ião-lítio estão sujeitas às disposições da legislação relativa às substâncias perigosas.

O transporte destas baterias deve ser efetuado de acordo com as disposições e os regulamentos locais, nacionais e internacionais.

- O utilizador pode efetuar o transporte rodoviário destas baterias sem restrições.
- O transporte comercial de baterias de ião-lítio por terceiros está sujeito aos regulamentos relativos às substâncias perigosas. A preparação do transporte e o transporte devem ser executados exclusivamente por pessoas instruídas e o processo deve ser acompanhado pelos especialistas correspondentes.

Observe o seguinte no transporte de baterias:

- Assegure-se de que os contactos terminais estejam protegidos e isolados para evitar um curto-circuito.
- Assegure-se de que o bloco da bateria esteja protegido contra movimentos na embalagem.
- Não transporte baterias danificadas ou que tenham fuga.

Para instruções mais detalhadas consulte a companhia de transportes

#### MANUTENÇÃO

Utilizar apenas acessórios Milwaukee e peças sobresselentes Milwaukee. Os componentes cuja substituição não esteja descrita devem ser substituídos num serviço de assistência técnica Milwaukee (consultar a brochura relativa à garantia/moradas dos serviços de assistência técnica).

Se for necessário, um desenho de explosão do aparelho pode ser solicitado do seu posto de assistência ao cliente ou directamente da Techtronic Industries GmbH, Max-Eyth-Straße 10, 71364 Winnenden, Alemanha, indicando o tipo da máquina e o número de seis posições na chapa indicadora da potência.

#### SYMBOLE



ATENÇÃO! PERIGO!



Antes de efectuar qualquer intervenção na máquina retirar o bloco acumulador.



Leia atentamente o manual de instruções antes de colocar a máquina em funcionamento.



Aparelhos eléctricos, baterias/acumuladores não devem ser jogados no lixo doméstico. Os aparelhos eléctricos e as baterias devem ser colectados separadamente e entregues a uma empresa de reciclagem para a eliminação correcta. Solicite informações sobre empresas de reciclagem e postos de colecta de lixo das autoridades locais ou do seu vendedor autorizado.



Marca CE



Marca de conformidade nacional da Ucrânia



Marca de conformidade EurAsian.



| TECHNISCHE GEGEVENS#DRAADLOZE HANDMIXER                 |                             | M18 FPM          |
|---|-----------------------------|------------------|
| Productienummer .....                                   | 4589 32 01...               | ...000001-999999 |
| Onbelast toerental .....                                | 0-550 min <sup>-1</sup>     |                  |
| Gereedschapsopname .....                                | M14                         |                  |
| Max. roerderdiameter .....                              | 120 mm                      |                  |
| Max. aanbevolen menghoeveelheid .....                   | 20 l                        |                  |
| Spanning wisselaccu .....                               | 18 V                        |                  |
| Gewicht met accu .....                                  | 2,3 kg                      |                  |
| Gewicht volgens de EPTA-procedure 01/2003               |                             |                  |
| met wisselaccu 1,5 Ah / 2,0 Ah .....                    | 2,6 kg                      |                  |
| met wisselaccu 3,0 Ah / 4,0 Ah .....                    | 3,0 kg                      |                  |
| met wisselaccu 9,0 Ah .....                             | 3,4 kg                      |                  |
| Toegestane omgevingstemperatuur tijdens het laden ..... | 0 ... +50 °C                |                  |
| tijdens het bedrijf en de opslag .....                  | -18 ... +50 °C              |                  |
| Aanbevolen accupacks .....                              | M18B                        |                  |
| Aanbevolen laadtoestellen .....                         | M12-18C, M12-18FC, M12-18AC |                  |

### Geluids-/trillingsinformatie

Meetwaarden vastgesteld volgens EN 62841.

Het kenmerkende A-gewogen geluidsniveau van de machine bedraagt:

Geluidsdrukniveau (Onzekerheid K=3dB(A)) ..... 70,7 dB (A)

Geluidsvermogensniveau (Onzekerheid K=3dB(A)) ..... 81,7 dB (A)

### Draag oorbeschermers!

Totale trillingswaarden (vectorsom van drie richtingen) bepaald volgens EN 62841.

Trillingsemisiewaarde a<sub>w</sub> ..... 1,2 m/s<sup>2</sup>

Onzekerheid K= ..... 1,5 m/s<sup>2</sup>

### WAARSCHUWING!

De in deze aanwijzingen vermelde trillingsdruk is gemeten volgens een in EN 62841 genormeerde meetmethode en kan worden gebruikt voor de onderlinge vergelijking van apparaten. Hij is ook geschikt voor een voorlopige inschatting van de trillingsbelasting.

De aangegeven trillingsdruk geldt voor de meest gebruikelijke toepassingen van het elektrische apparaat. Wanneer het elektrische gereedschap echter voor andere doeleinden, met andere dan de voorgeschreven hulpstukken gebruikt of niet naar behoren onderhouden wordt, kan de trillingsdruk afwijken. Dit kan de waarde van de trillingsdruk over de hele werkperiode aanzienlijk verhogen.

Voor een nauwkeurige inschatting van de trillingsdruk moeten ook de tijden in aanmerking worden genomen dat het apparaat uitgeschakeld is of weliswaar loopt, maar niet werkelijk in gebruik is. Dit kan de waarde van de trillingsdruk over de hele werkperiode aanzienlijk verminderen.

Bepaal extra veiligheidsmaatregelen ter bescherming van de bediener tegen de inwerking van trillingen, bijvoorbeeld: onderhoud van elektrische gereedschappen en apparaten, warmhouden van de handen, organisatie van de werkprocessen.

**WAARSCHUWING!** Lees alle veiligheidswaarschuwingen, voorschriften, afbeeldingen en specificaties voor dit elektrische gereedschap. Als de onderstaande waarschuwingen niet worden opgevolgd, kan dit een elektrische schok, brand of ernstig letsel tot gevolg hebben.

### WAARSCHUWINGEN HANDMIXER

**Het apparaat met beide handen vasthouden aan de daarvoor bedoelde grepen.** Bij verlies van de controle over het apparaat dreigt gevaar voor letsel.

**Bij het mengen van ontvlambare materialen voor voldoende ventilatie zorgen, zodat geen explosiegevaarlijke atmosfeer ontstaat.** De ontstane dampen kunnen ingeademd worden of kunnen ontbranden door de vonken van elektrische gereedschap.

**Niet voor levensmiddelen gebruiken.** Dit gereedschap en het toebehoren zijn niet geschikt voor de verwerking van levensmiddelen.

**De mengbak in een stabiele positie borgen.** Een niet goed geborgde mengbak kan plotseling wegglijden.

**Waarborgen dat geen vloeistoffen tegen de behuizing van het elektrische gereedschap spatten.** In het elektrische gereedschap gedrongen vloeistoffen kunnen schade veroorzaken en tot elektrische schokken leiden.

**De voor het mengmateriaal geldende aanwijzingen en waarschuwingen in acht nemen.** Het te mengen materiaal kan schadelijk zijn.

**Niet met de handen in de mengbak grijpen en tijdens het mengen geen voorwerpen in de bak steken.** Contact met het roerwerk kan ernstig letsel veroorzaken.

**Het apparaat alleen in de mengbak in- en uitschakelen.** Het roerwerk kan ongecontroleerd buigen of draaien.

### VERDERE VEILIGHEIDS- EN WERKINSTRUCTIES

Draag veiligheidsuitrusting. Bij werkzaamheden met de machine dient u altijd een veiligheidsbril te dragen. Veiligheidskleding zoals stofmasker, veiligheidshandschoenen, stevig en slijvast schoeisel, helm en gehoorbescherming worden aanbevolen.

Het gedurende het werken vrijkomende stof is doorgaans schadelijk voor de gezondheid en mag niet met het lichaam in aanraking komen. Draag derhalve een geschikt stofbeschermsmasker.

Het is niet toegestaan, materialen te bewerken waarvan een gezondheidsgevaar uitgaat (bijv. asbest).

Schakel het apparaat onmiddellijk uit als het gereedschap blokkeert! Schakel het apparaat niet in zolang het gereedschap geblokkeerd is; dit zou een terugslag met een hoog reactiemoment kunnen veroorzaken. Achterhaal en verhelp de oorzaak voor de blokkering van het gereedschap met inachtneming van de veiligheidsinstructies.

Grijp niet in de lopende machine.

Voor alle werkzaamheden aan de machine de accu verwijderen.

Verbruikte accu's niet in het vuur of bij het huisvuil werpen. Milwaukee biedt namelijk een milieuvriendelijke recyclingmethode voor uw oude accu's.

Wisselakku's niet bij metalen voorwerpen bewaren (kortsluitingsgevaar ! ) .

Wisselakku's van het Akku-Systeem M18 alléén met laadapparaten van het Akku-Systeem M18 laden. Geen accu's van andere systemen laden.

Wisselakku's en laadapparaten niet openen en alleen in droge ruimtes opslaan. Tegen vocht beschermen.

Under extreme belasting of extreme temperaturen kan uit de accu accu-vloeistof lopen. Na contact met accu-vloeistof direct afwassen met water en zeep. Bij oogcontact direct minstens 10 minuten grondig spoelen en onmiddellijk een arts raadplegen.

**Waarschuwing!** Voorkom brand, persoonlijk letsel of materiële schade door kortsluiting en dompel het gereedschap, de wisselaccu en het laadtoestel niet onder in vloeistoffen en waarborg dat geen vloeistoffen in de apparaten en accu's kunnen dringen. Corrosieve of geleidende vloeistoffen zoals zout water, bepaalde chemicaliën, bleekmiddelen of producten die bleekmiddelen bevatten, kunnen een kortsluiting veroorzaken.

### VOORGESCHREVEN GEBRUIK VAN HET SYSTEEM

De handmixer is bedoeld voor het mengen van poedervormig bouw materiaal zoals specie, gips, bindmiddelen en van oplosmiddelvrije verven, lakken en soortgelijke stoffen.

Dit apparaat uitsluitend gebruiken voor normaal gebruik, zoals aangegeven.

### EC - VERKLARING VAN OVEREENSTEMMING

Wij verklaren in uitsluitende verantwoording dat het onder 'Technische gegevens' beschreven product overeenstemt met alle relevante voorschriften van de richtlijn 2011/65/EU (RoHS), 2014/30/EU, 2006/42/EG en de volgende geharmoniseerde normatieve documenten:

EN 62841-1:2015

EN 62841-2-1:2010

EN 62841-2-10:2016

EN 55014-1:2006 + A1:2009 + A2:2011

EN 55014-2:2015

EN 50581:2012

Winnenden, 2017-08-31

*Alexander Krug*

Alexander Krug  
Managing Director



Gemachtigd voor samenstelling van de technische documenten

Technic Industries GmbH  
Max-Eyth-Strasse 10  
71364 Winnenden  
Germany

### AKKU

Langere tijd niet toegepaste wisselakku's vóór gebruik altijd naladen.

Een temperatuur boven de 50°C vermindert de capaciteit van de accu. Langdurige verwarming door zon of hitte vermijden.

De aansluitcontacten aan het laadapparaat en de accu schoonhouden.

Voor een optimale levensduur moeten de accu's na het gebruik volledig opgeladen worden.

Voor een zo lang mogelijke levensduur van de accu's dienen deze na het opladen uit het laadtoestel te worden verwijderd.

Bij een langere opslag van de accu dan 30 dagen:

accu bij ca. 27 °C droog bewaren.

accu bij ca. 30 % - 50 % van de laadtoestand bewaren.

accu om de 6 maanden opnieuw opladen.

### OVERBELASTINGSBEVEILIGING VAN DE ACCU

Bij overbelasting van de accu door een zeer hoog stroomverbruik, bijv. extreem hoge draaimomenten, klemmen van de boor, plotseling stoppen of kortsluiting, vibreert het elektrische gereedschap gedurende 2 seconden en schakelt dan automatisch uit.

Om het gereedschap weer in te schakelen, moet u de drukschakelaar loslaten en vervolgens weer inschakelen.

Onder extreme belastingen wordt de accu te heet. In dit geval schakelt hij uit.

Steeke de accu in het laadtoestel om hem weer op te laden en te activeren.

### TRANSPORT VAN LITHIUM-IONEN-ACCU'S

Lithium-ionen-accu's vallen onder de wettelijke bepalingen inzake het transport van gevaarlijke goederen.

Voor het transport van deze accu's moeten de lokale, nationale en internationale voorschriften en bepalingen in acht worden genomen.

- Verbruikers mogen deze accu's zonder meer over de weg transporteren.
- Het commerciële transport van lithium-ionen-accu's door expeditiebedrijven is onderhevig aan de bepalingen inzake het transport van gevaarlijke goederen. De verzendingsvoorbereidingen en het transport mogen uitsluitend worden uitgevoerd door dienovereenkomstig opgeleide personen. Het complete proces moet vakkundig worden begeleid.

Onderstaende punten moeten bij het transport van accu's in acht worden genomen:

- Waarborg ter vermindering van kortsluitingen dat de contacten beschermd en geïsoleerd zijn.
- Let op dat het accupack in de verpakking niet kan verschuiven.
- Beschadigde of lekkende accu's mogen niet worden getransporteerd.

Neem voor meer informatie contact op met uw expeditiebedrijf.

### ONDERHOUD

Gebruik uitsluitend Milwaukee toebehoren en onderdelen. Indien componenten die moeten worden vervangen niet zijn beschreven, neem dan contact op met een officieel Milwaukee servicecentrum (zie onze lijst met servicecentra).

Zo nodig kan een explosietekening van het apparaat worden aangevraagd bij uw klantenservice of direct bij Technic Industries GmbH, Max-Eyth-Strasse 10, 71364 Winnenden, Duitsland onder vermelding van het machinetype en het zescijferige nummer op het typeplaatje.

### SYMBOLEN



OPGELET! WAARSCHUWING! GEVAAR!



Voor alle werkzaamheden aan de machine de accu verwijderen.



Graag instructies zorgvuldig doorlezen vóórdat u de machine in gebruik neemt.



Elektrische apparaten, batterijen en accu's mogen niet via het huisafval worden afgevoerd. Elektrische apparaten en accu's moeten gescheiden worden verzameld en voor een milieuvriendelijke afvoer worden afgegeven bij een recyclingbedrijf. Informeer bij uw gemeente of bij uw vakhandelaar naar recyclingbedrijven en inzamelpunten.



CE-keurmerk



Nationaal symbool van overeenstemming Oekraïne



EurAsian-symbool van overeenstemming.



| TEKNISKE DATA                             | LEDNINGSFRI HÅNDHOLDT RØREVÆRK | M18 FPM          |
|---|--------------------------------|------------------|
| Produktionsnummer .....                   | 4589 32 01...                  | ...000001-999999 |
| Omdrejningstal, ubelastet.....            | 0-550 min <sup>-1</sup>        |                  |
| Værktøjsholder .....                      | M14                            |                  |
| Pisker maks. diameter .....               | 120 mm                         |                  |
| Anbefalet blandingsemængde maks. ....     | 20 l                           |                  |
| Udskiftningsbatteriets spænding .....     | 18 V                           |                  |
| Vægt med batteri .....                    | 2,3 kg                         |                  |
| Vægt svarer til EPTA-procedure 01/2003    |                                |                  |
| udskiftningsbatteri 1,5 Ah / 2,0 Ah ..... | 2,6 kg                         |                  |
| udskiftningsbatteri 3,0 Ah / 4,0 Ah ..... | 3,0 kg                         |                  |
| udskiftningsbatteri 9,0 Ah .....          | 3,4 kg                         |                  |
| Tilladt omgivelsestemperatur              |                                |                  |
| under opladning .....                     | 0 ... +50 °C                   |                  |
| under drift og ved opbevaring .....       | -18 ... +50 °C                 |                  |
| Anbefalede batteripakker.....             | M18B                           |                  |
| Anbefalede opladere .....                 | M12-18C, M12-18FC, M12-18AC    |                  |

### Støj/Vibrationsinformation

Måleværdier beregnes iht. EN 62841.

Værktøjets A-vurderede støjniveau er typisk:

Lydtrykniveau (Usikkerhed K=3dB(A)) ..... 70,7 dB (A)

Lydeffekt niveau (Usikkerhed K=3dB(A)) ..... 81,7 dB (A)

### Brug høreværn!

Samlede vibrationsværdier (værdisum for tre retninger) beregnet iht. EN 62841.

Vibrationseksponering a<sub>h</sub> ..... 1,2 m/s<sup>2</sup>

Usikkerhed K= ..... 1,5 m/s<sup>2</sup>

### ADVARSEL!

Svingningsniveauet, som er angivet i disse anvisninger, er målt i henhold til standardiseret måleprocedure ifølge EN 62841 og kan anvendes til indbyrdes sammenligning mellem el-værktøjer. Svingningsniveauet er ligeledes egnet som foreløbigt skøn over svingningsbelastningen.

Det angivne svingningsniveau er baseret på el-værktøjets primære anvendelsesformål. Hvis el-værktøjet benyttes til andre formål, med andet indsatsværktøj eller ikke vedligeholdes tilstrækkeligt, kan svingningsniveauet afvige. Dette kan øge svingningsbelastningen over den samlede arbejdsperiode betydeligt.

For en nøjagtig vurdering af svingningsbelastningen skal der også tages højde for de tidsperioder, hvor apparatet er slukket, eller hvor apparatet kører, men uden at være i anvendelse. Dette kan reducere svingningsbelastningen over den samlede arbejdsperiode betydeligt.

Supplerende sikkerhedsforanstaltninger til beskyttelse af brugeren mod påvirkninger fra svingninger skal iværksættes, f.eks.: Vedligeholdelse af el-værktøj og indsatsværktøj, varmholdelse af hænder, organisering af arbejdsprocesser.

**⚠ ADVARSEL Læs alle advarselsinformationer, anvisninger, figurer og specifikationer, som følger med dette el-værktøj.** En manglende overholdelse af alle nedenstående anvisninger kan medføre elektrisk stød, brand og/eller alvorlige kvæstelser.

### ⚠ ADVARSELSHENVISNINGER HÅNDHOLDT RØREVÆRK

**Hold værktøjet med begge hænder på de dertil indrettede håndtag.** Hvis kontrollen over værktøjet mistes, kan det forårsage personskade.

**Sørg for tilstrækkelig udluftning, når der blandes brandfarlige materialer, for at undgå eksplosionsfare.** De dampe, der opstår under blandingen, kan blive indåndet eller antændt af de gnister, som elværktøjet producerer.

**Må ikke bruges til fødevarer.** Dette værktøj og dets tilbehør er ikke beregnet til forarbejdning af fødevarer.

**Sørg for, at blandingsbeholderen er anbragt i en stabil og sikker position.** Hvis beholderen ikke er sikret korrekt, kan den flytte sig uventet.

**Sørg for, at der ikke sprøjter væske op på elværktøjets kabinet.** Trænger der væske ind i elværktøjet, kan det forårsage skade og medføre elektrisk stød.

**Overhold de gældende anvisninger og advarselshenvisninger vedrørende blandingmaterialet.** Materialet, som skal blandes, kan være skadeligt.

**Ræk ikke ned i blandingsbeholderen med hænderne og fyld ikke noget i beholderen, mens der blandes.** Kontakt med piskeren kan forårsage alvorlig personskade.

**Hold altid værktøjet nede i blandingsbeholderen, når det startes og stoppes.** Kontakt med piskeren kan forårsage alvorlig personskade.

### YDERLIGERE SIKKERHEDS- OG ARBEJDSINFORMATIONER

Brug beskyttelsesudstyr. Bær altid sikkerhedsbriller, når du arbejder med maskinen. Vi anbefaler desuden brug af personlig beskyttelsesudrustning, såsom støvmaske, sikkerhedshandsker, fast og skridsikkert skotøj, hjelm og høreværn.

Støv, som opstår under arbejdet, er ofte sundhedsfarligt og bør ikke trænge ind i kroppen. Benyt egnet åndedrætsværn.

Der må ikke bearbejdes nogen materialer, der kan udgøre en sundhedsrisiko (f.eks. asbest).

Sluk straks for maskinen, hvis indsatsværktøjet er blokeret! Tænd ikke for maskinen igen, så længe indsatsværktøjet er blokeret; dette kan føre til et tilbageslag med højt reaktionsmoment. Find frem til og afhjælp årsagen til indsatsværktøjets blokering under hensyntagen til sikkerhedsinstruktionerne.

Grib ikke ind i maskinen, når den kører.

Ved arbejde inden i maskinen, bør batteriet tages ud.

Opbrugte udskiftningsbatterier må ikke brændes eller kasseres sammen med alm. husholdningsaffald. Milwaukee har en miljørigtig bortskaffelse af gamle udskiftningsbatterier, henvend Dem til Deres forhandler.

Opbevar ikke udskiftningsbatterier sammen med metalgenstande af fare for kortslutning.

Brug kun M18 ladeapparater for opladning af System M18 batterier.

Udskiftningsbatterier og opladere må ikke åbnes og skal opbevares i tørre rum. Beskyt dem mod fugtighed.

I tilfælde af en ekstrem belastning eller ekstrem temperatur kan der flyde batterivæske ud af et beskadiget batteri. Hvis De kommer i berøring med batterivæsken, skal den vaskes godt og grundigt af med vand og sæbe. I tilfælde af øjenkontakt, skal man mindst skylle øjnene godt og grundigt igennem i 10 minutter og omgående opsøge en læge.

**Advarsel!** For at undgå risiko for brand, kvæstelser eller beskadigelse af produktet forårsaget af kortslutning må værktøjet, batteripakken eller opladeren ikke nedsænkes i vand. Sørg ligeledes for, at der ikke trænger væske ind i enhederne og batterierne. Korroderende eller ledende væsker, f.eks. saltvand, bestemte kemikalier, blegestoffer eller produkter, som indeholder blegestoffer, kan forårsage kortslutning.

### TILTÆNKT FORMÅL

Det håndholdte røreværk anvendes til blanding af pulveriserede byggematerialer, såsom mørtel, gips, bindemidler samt maling uden opløsningsmidler, lak og lignende stoffer.

Produktet må ikke anvendes på anden måde og til andre formål end foreskrevet.

### CE-KONFORMITETSERKLÆRING

Vi erklærer som eneansvarlig, at det under "Tekniske data" beskrevne produkt stemmer overens med alle relevante forskrifter, der følger af direktiv 2011/65/EU (RoHS), 2014/30/EU, 2006/42/EF samt af følgende harmoniserede normative dokumenter:

EN 62841-1:2015

EN 62841-2-1:2010

EN 62841-2-10:2016

EN 55014-1:2006 + A1:2009 + A2:2011

EN 55014-2:2015

EN 50581:2012

Winnenden, 2017-08-31

*Alexander Krug*

Alexander Krug  
Managing Director



Autoriseret til at udarbejde de tekniske dokumenter.

Techtronic Industries GmbH  
Max-Eyth-Straße 10  
71364 Winnenden  
Germany

### BATTERI

Udskiftningsbatterier, der ikke har været brugt i længere tid, efterlades inden brug.

Ved temperaturer over 50°C formindskes batteriets effekt. Undgå direkte sollys og stærk varme.

Tilslutningskontaktterne på oplader og udskiftningsbatterier skal holdes rene.

For at opnå en optimal levetid skal de genopladelige batterier oplades fuldt efter brug.

For at sikre en så lang levetid som muligt skal batterierne tages ud af ladeaggregatet efter opladning.

Skal batterierne opbevares længere end 30 dage:

Temperatur ca. 27°C i tørre omgivelser.

Opbevares ved ca. 30%-50% af ladetilstanden.

Batteri skal genoplades hver 6. måned.

### OVERBELASTNINGSSIKRING FOR BATTERI

Overbelastes batteriet på grund af meget højt strømforbrug, f.eks. som følge af ekstremt høje drejningsmomenter, fastklemning af bor, pludseligt stop eller kortslutning, brummer el-værktøjet i 2 sekunder og slukker så af sig selv.

For at tænde igen slipper du trykknappen og tænder el-værktøjet på ny.

Under ekstreme belastninger kan batteriet blive meget varmt. I så fald kobler batteriet fra.

Sæt batteriet i ladeadapteren for at genoplade det og aktivere det.

### TRANSPORT AF LITHIUM-BATTERIER

Lithium-batterier er omfattet af lovgivningen om transport af farligt gods.

Transporten af disse batterier skal ske under overholdelse af lokale, nationale og internationale regler og bestemmelser.

- Forbrugere må transportere disse batterier på veje uden yderligere krav.
- Den kommercielle transport af lithium-batterier ved speditjonsfirmaer er omfattet af reglerne for transport af farligt gods. Forberedelsen af forsendelse og transport må kun udføres af tilsvarende trænede personer. Den samlede proces skal følges af fagfolk.

Følgende punkter skal overholdes ved transport af batterier:

- Sørg for at kontakterne er beskyttet og isoleret for at forhindre kortslutninger.
- Sørg for at batteripakken ikke kan bevæge sig inden for emballagen.
- Beskadigede eller lækende batterier må ikke transporteres.

Kontakt dit speditjonsfirma for at få yderligere oplysninger.

### VEDLIGEHOLDELSE

Brug kun Milwaukee-tilbehør og Milwaukee-reservedele. Komponenter, hvor udskiftningsproceduren ikke er beskrevet, skal skiftes ud hos et Milwaukee-servicecenter (se brochure garanti/kundeserviceadresser).

Hvis det er nødvendigt, kan der bestilles en sprængkitse af værktøjet. Angiv herved venligst maskintypen samt det sekscifrede nummer på mærkepladen og bestil tegningen hos din lokale kundeserviceafdeling eller direkte hos Techtronic Industries GmbH, Max-Eyth-Straße 10, 71364 Winnenden, Tyskland.

### SYMBOLER



VIGTIGT! ADVARSEL! FARE!



Ved arbejde inden i maskinen, bør batteriet tages ud.



Læs brugsanvisningen nøje før ibrugtagning.



Elektrisk udstyr eller (genopladelige) batterier må ikke bortskaffes sammen med det almindelige husholdningsaffald.

Elektrisk udstyr og genopladelige batterier skal indsamles særskilt og afleveres hos en genbrugsvirksomhed til en miljømæssig forsvarlig bortskaffelse.

Spørg de lokale myndigheder eller din forhandler om genbrugsstationer og indsamlingssteder til sådant affald.



CE-mærke



Nationalt overensstemmelsesmærke Ukraine



EurAsian overensstemmelsesmærke.

| TEKNISKE DATA                               | TRÅDLØS HÅNDHOLDT RØREAPPARAT | M18 FPM         |
|---|-------------------------------|-----------------|
| Produksjonsnummer.....                      | 4589 32 01...                 | ...00001-999999 |
| Tomgangsturtall .....                       | 0-550 min <sup>-1</sup>       |                 |
| Verktøyopptak.....                          | M14                           |                 |
| Maks. rørebliaddiameter.....                | 120 mm                        |                 |
| Maks. anbefalt blandedekapasitet.....       | 20 l                          |                 |
| Spennning vekselbatteri.....                | 18 V                          |                 |
| Vekt med batteri.....                       | 2,3 kg                        |                 |
| Vekt i henhold til EPTA-Prosedyren 01/2003  |                               |                 |
| med oppladbart batteri 1,5 Ah / 2,0 Ah..... | 2,6 kg                        |                 |
| med oppladbart batteri 3,0 Ah / 4,0 Ah..... | 3,0 kg                        |                 |
| med oppladbart batteri 9,0 Ah.....          | 3,4 kg                        |                 |
| Tillatt omgivelsestemperatur                |                               |                 |
| ved opplading.....                          | 0 ... +50 °C                  |                 |
| i drift og ved lagring.....                 | -18 ... +50 °C                |                 |
| Anbefalte batteripakker.....                | M18B                          |                 |
| Anbefalte ladere .....                      | M12-18C, M12-18FC, M12-18AC   |                 |

### Støy/Vibrasjonsinformasjon

Måleverdier fastslått i samsvar med EN 62841.

Det typiske A-bedømte støynivået for maskinen er:

Lydtrykknivå (Usikkerhet K=3dB(A))..... 70,7 dB (A)

Lydeffektnivå (Usikkerhet K=3dB(A))..... 81,7 dB (A)

### Bruk hørselsvern!

Totalt svingningsverdier (vektorsum fra tre retninger) beregnet jf. EN 62841.

Svingningsemissjonsverdi a<sub>h</sub>..... 1,2 m/s<sup>2</sup>

Usikkerhet K=..... 1,5 m/s<sup>2</sup>

### ADVARSEL!

Svingningsnivået som er angitt i denne instruksjonen er målt i overensstemmelse med målemetoden normert i direktiv EN 62841 og kan brukes til å sammenligne elektromaskiner med hverandre. Den egner seg også for en foreløbig vurdering av svingningsbelastningen.

Det angitte svingningsnivået representerer de hovedsaklige bruk av elektroverktøyet. Men anvendes elektroverktøyet for andre bruk med avvikende utskiftbare verktøy eller vedlikeholdet er utilstrekkelig, kan svingningsnivået være avvikende.

Dette kan forhøye svingningsbelastning betydelig over hele arbeidsperioden. For en nøyaktig vurdering av svingningsbelastningen må også det tas hensyn til tiden apparatet er avslått eller står på, men ikke er i bruk. Dette kan redusere svingningsbelastningen betydelig over hele arbeidsperioden.

Innfør også ekstra sikkerhetstiltak for å beskytte bruker mot utvirkingen av svingningene. Disse kan f.eks. være: vedlikehold av elektroverktøyet og det utskiftbare verktøyet, holde hendene varme, organisasjon av arbeidsforløpet.

**⚠ ADVARSEL! Les gjennom alle sikkerhets advarsler, anvisninger, illustrasjoner og spesifikasjoner for dette elektroverktøyet.** Feil ved overholdelsen av advarslene og nedenstående anvisninger kan medføre elektriske støt, brann og/eller alvorlige skader.

### ⚠ ADVARSLER FOR DET HÅNDHOLDTE RØREAPPARATET

**Hold apparatet i de tilhørende håndtakene med begge hender.** Dersom du mister kontrollen over verktøyet, består det fare for personskade.

**Når det blandes antenkelige materialer, må det sørges for tilstrekkelig lufting, slik at det ikke oppstår noen eksplosjonsfarlig atmosfære.** Dampene som oppstår kan innåndes eller antennes på grunn av gnistene som genereres fra det elektriske verktøyet.

**Må ikke brukes til matvarer.** Dette verktøyet og tilbehøret er ikke egnet til bearbeiding av matvarer.

**Sikre blandedeholderen i en stabil posisjon.** En beholder som ikke er ordentlig sikret, kan plutselig gli.

**Forviss deg om at ingen væsker spruter mot kapselen til det elektriske verktøyet.** Væsker som trenger inn i det elektriske verktøyet kan forårsake skader og føre til elektrisk sjokk.

**Instruksene som gjelder for blandematerialet samt advarslene må tas til følge.** Materialet som skal blandes kan være skadelig.

**Grip ikke inn i blandedeholderen med hendene, og ikke før inn noen gjenstander i beholderen mens blandingen pågår.** Kontakten med røreverket kan føre til alvorlig personskade.

**Start og stopp apparatet bare i blandedeholderen.** Røreverket kan bøye seg eller rotere på ukontrollert måte.

### Ytterligere sikkerhets- og arbeidsinstruksjoner

Bruk vernebekledning. Ta alltid på vernebrille ved bruk av maskinen. Vernebekledning så vel som støvmaske, vernehansker, fast og sklissikkert skotøy, hjem og hørselsvern er anbefalt.

Støvet som oppstår ved arbeidet er ofte helsefarlig og skal ikke komme i kontakt med kroppen. Bruk derfor vernemaske som er egnet for støv.

Materialer som er helsefarlig skal ikke bearbeides (f.eks. asbest)

Slå av apparatet med en gang dersom det isatte verktøyet er blokkert! Ikke slå apparatet på igjen så lenge det isatte verktøyet er blokkert; her kan det oppstå et tilbakeslag med høyt reaksjonsmoment. Finn ut hvorfor det isatte verktøyet blokkerer og fjern årsaken til dette. Ta herved hensyn til sikkerhetsinstruksene.

Ikke grip inn i maskinen når den står på og går.

Ta ut vekselbatteriet før du arbeider på maskinen

Ikke kast brukte vekselbatterier i varmen eller husholdningsavfall. Milwaukee tilbyr en miljøriktig deponering av gamle vekselbatterier; vennligst spør din fagforhandler.

Ikke oppbevar vekselbatterier sammen med metallgjenstander (kortslutningsfare).

Vekselbatterier av systemet M18 skal kun lades med lader av systemet M18. Ikke lad opp batterier fra andre systemer.

Ikke åpne vekselbatterier og ladere, de skal oppbevares i tørre rom. Beskyttes mot fuktighet.

Under ekstreme belastninger og ekstreme temperaturer kan det lekke ut batterivæske fra utskiftbare batterier. Ved berøring med batterivæske, vask umiddelbart med såpe og vann. Ved kontakt med øynene må øynene skylles grundig i rennende vann i minst 10 minutter. Oppsøk lege umiddelbart.

**Advarsel!** For å unngå fare for en brann forårsaket av en kortslutning, av personskader eller skader av produktet, må det forhindres at

batteripakken eller laderen dypes i væsker og også sørges for at ingen væsker kan komme inn i apparatene eller batteriene. Korroderende og ledende væsker som saltvann, visse kjemikalier og blekemidler eller produkt som inneholder blekemidler kan forårsake en kortslutning.

### FORMALSMESSIG BRUK

Det håndholdte apparatet tjener til blanding av pulverformede byggematerialer som mørtel, gips, bindemidler samt maling, lakk og lignende stoffer som er uten løsemidler.

Dette apparatet må kun brukes til de oppgitte formål.

### CE-SAMSVARSKLÆRING

Vi erklærer i alene ansvar at produktet beskrevet i "Tekniske data" overensstemmer med alle relevante forskrifter til Eu direktiv 2011/65/EU (RoHS), 2014/30/EU, 2006/42/EF og de følgende harmoniserte normative dokumentene.

EN 62841-1:2015

EN 62841-2-1:2010

EN 62841-2-10:2016

EN 55014-1:2006 + A1:2009 + A2:2011

EN 55014-2:2015

EN 50581:2012

Winnenden, 2017-08-31



Alexander Krug  
Managing Director



Autorisert til å utarbeide den tekniske dokumentasjonen

Techtronic Industries GmbH

Max-Eyth-Straße 10

71364 Winnenden

Germany

### BATTERIER

Vekselbatterier som ikke er brukt over lengre tid skal etterlades før bruk.

En temperatur over 50°C reduserer vekselbatteriets kapasitet. Unngå oppvarming i sol eller ved varmeovner (fyring) i lengre tid.

Hold tilkoplingskontaktene på lader og vekselbatteri rene.

For en optimal levetid må batteriene etter bruk ladet helt opp.

For å sikre en lengst mulig brukstid av batteriene skal disse etter oppladning taes ut av laderen.

Ved lagring av batteriene lengre enn 30 dager:

Lagre batteriet tørt ved ca. 27°C.

Lagre batteriet ved en oppladningstilstand på ca. 30%-50%.

Lade opp batteriet igjen etter 6 måneder.

### OVERBELASTNINGSVERN FOR OPPLADBARE BATTERIER

Ved overbelastning av det oppladbare batteriet p.g.a. svært høy strømforbruk, for eksempel ved ekstrem høye dreiemoment, fastklemming av boret, plusselig stopp eller kortslutning, brummer elektroverktøyet 2 sekunder og slår seg så automatisk av. For å slå det på igjen, må man slippe trykkbryteren og så slå på igjen. Ved ekstreme belastninger kan det oppladbare batteriet bli sterkt opphetet. I slike tilfeller kobler batteriet seg ut. Sett batteriet da i laderen for å få det oppladet og aktivert igjen.

### TRANSPORT AV LITIU-ION-BATTERI

Litium-ion-batterier faller under de lovfestede forskriftene om transport av farlig gods.

Transporten av disse batteriene må rette seg etter lokale, nasjonale og internasjonale forskrifter og bestemmelser.

- Forbruker har lov å transportere disse batteriene på gaten uten reglementering.
- Den kommersielle transport av Litium-ion-batterier av spedisjonsfirma faller under bestemmelsene om transport av farlig gods. Forberedningene av forsendelsen og transport skal

utelukkende gjennomføres av personer som har blitt skolert til dette. Hele prosessen skal følges opp av fagfolk.

Følgende punkter skal tas hensyn til ved transport:

- Kontroller at kontaktene er beskyttet og isolert for å unngå kortslutninger.
- Pass på at batteripakken i forpakningen ikke kan skli fram og tilbake.
- Skadede eller batterier som lekker er det ikke lov å transportere.

Ta kontakt med spedisjonsfirma for ytterlige henvisninger.

### VEDLIKEHOLD

Bruk kun Milwaukee tilbehør og Milwaukee reservedeler. Komponenter der utskiftning ikke er beskrevet skal skiftes ut hos Milwaukee kundeservice (se brosjyre garanti/kundeserviceadresser).

Ved behov kan det fås en eksplosjonstegning av apparatet hos kundeservice eller direkte hos Techtronic Industries GmbH, Max-Eyth-Straße 10, 71364 Winnenden, Germany ved angivelse av maskinens type og det sekstallige nummeret på maskinens skilt.

### SYMBOLER



OBS! ADVARSEL! FARE!



Ta ut vekselbatteriet før du arbeider på maskinen



Les nøye gjennom bruksanvisningen før maskinen tas i bruk.



Elektriske apparater, batterier/oppladbare batterier skal ikke kastes sammen med vanlig husholdningsavfall. Elektriske og elektroniske apparater og oppladbare batterier skal samles separat og leveres til miljøvennlig deponering hos en avfallsbedrift. Informer deg hos myndighetene på stedet eller hos din fagforhandler hvor det finnes recycling bedrifter og oppsamlingssteder.



CE-tegn



Nasjonalt Konformitetstegn Ukraina



EurAsian Konformitetstegn.

| TEKNISKA DATA   | SLADDLÖS HANDMRÖRARE        | M18 FPM          |
|---|-----------------------------|------------------|
| Produktionsnummer .....                                       | 4589 32 01...               | ...000001-999999 |
| Tomgångsvarvtal, obelastad.....                               | 0-550 min <sup>-1</sup>     |                  |
| Verktygsfäste .....   | M14                         |                  |
| Max. diameter omrörare .....                                  | 120 mm                      |                  |
| Max. rekommenderad blandningsmängd .....                      | 20 l                        |                  |
| Batterispänning.....  | 18 V                        |                  |
| Vikt inkl. batteri .....                                      | 2,3 kg                      |                  |
| Vikt enligt EPTA 01/2003                                      |                             |                  |
| med utbytbart och laddningsbart batteri 1,5 Ah / 2,0 Ah ..... | 2,6 kg                      |                  |
| med utbytbart och laddningsbart batteri 3,0 Ah / 4,0 Ah ..... | 3,0 kg                      |                  |
| med utbytbart och laddningsbart batteri 9,0 Ah .....          | 3,4 kg                      |                  |
| Tillåten omgivningstemperatur                                 |                             |                  |
| vid laddning.....   | 0 ... +50 °C                |                  |
| under drift och vid förvaring.....                            | -18 ... +50 °C              |                  |
| Rekommenderade batterier (Akkupacks).....                     | M18B                        |                  |
| Rekommenderade laddare .....                                  | M12-18C, M12-18FC, M12-18AC |                  |

#### Buller-/vibrationsinformation

Mätvärdena har tagits fram baserade på EN 62841.

A-värdet av maskinens ljudnivå utgår:

Ljudtrycksnivå (Onoggrannhet K=3dB(A))..... 70,7 dB (A)

Ljudeffektsnivå (Onoggrannhet K=3dB(A))..... 81,7 dB (A)

#### Använd hörselskydd!

Totala vibrationsvärden (vektorsumma ur tre riktningar) framtaget enligt EN 62841.

Vibrationsemissionsvärde a<sub>h</sub>..... 1,2 m/s<sup>2</sup>

Onoggrannhet K=..... 1,5 m/s<sup>2</sup>

#### WARNING!

Den i de här anvisningarna angivna vibrationsnivån har uppmätts enligt ett i EN 62841 normerat mätförfarande och kan användas vid jämförelse mellan olika elverktyg. Nivån är även lämplig att använda vid en preliminär bedömning av vibrationsbelastningen.

Den angivna vibrationsnivån representerar den huvudsakliga användningen av det aktuella elverktyget. Men om elverktyget ska användas i andra användningsområden, tillsammans med avvikande insatsverktyg eller efter otillräckligt underhåll, kan vibrationsnivån skilja sig. Det kan öka vibrationsbelastningen betydligt under hela arbetstiden.

För att få en exaktare bedömning av vibrationsbelastningen ska även den tid beaktas, under vilken elverktyget är avstängt eller är påslaget, utan att det verkligen används. Det kan reducera vibrationsbelastningen betydligt under hela arbetstiden.

Lägg som skydd för användaren fast extra säkerhetsåtgärder mot vibrationernas verkan, som till exempel: underhåll av elverktyg och insatsverktyg, varmhållning av händer och organisering av arbetsförlopp.

**!** **WARNING!** Läs noga igenom alla säkerhetsanvisningar, illustrationer och specifikationer som medföljer detta elverktyg. Fel som uppstår till följd av att anvisningarna nedan inte följts kan orsaka elstöt, brand och/eller allvarliga kroppsskador.

#### ! VARNINGSANVISNINGAR HANDMRÖRARE

**Håll fast maskinen med båda händerna i de därför avsedda handtagen.** Om man förlorar kontrollen över verktyget finns risk för personskador.

**Se när du bandar antändbara material till att ventilationen är tillräcklig så att ingen explosiv atmosfär kan uppstå.** Ångorna som bildas kan andas in eller antändas av gnistor som orsakas av elverktyget.

**Använd inte för livsmedel.** Det här verktyget och dess tillbehör är inte lämpligt för bearbetning av livsmedel.

**Säkra blandarbehållaren i en stabil position.** En behållare som inte har säkrats ordentligt kan plötsligt halka iväg.

**Säkerställ att inga vätskor sprutar mot elverktygets hus.** Vätskor som tränger in i elverktyget kan orsaka skador och leda till elektriska stötar.

**Observera de anvisningar och varningsanvisningar som gäller för blandningsmaterialet.** Materialet som ska blandas kan vara skadligt.

**Grip inte ner i blandarbehållaren med händerna och rör inte ner föremål i behållaren under blandningen.** Kontakt med omröraren kan orsaka allvarliga personskador.

**Starta och stoppa maskinen bara när den hålls i blandarbehållaren.** Omröraren kan böjas eller vridas okontrollerat.

#### ÖVRIGA SÄKERHETS- OCH ANVÄNDNINGSTRUKTIONER

Använd skyddsutrustning. Använd alltid skyddsglasögon när du använder maskinen. Som skyddsutrustning rekommenderar vi t ex en dammskyddsmask, skyddshandskar, stabila och halksäkra skor, hjälm och hörselskydd.

Det damm som bildas under arbetets gång är ofta hälsofarligt och det ska inte komma in i kroppen. Bär därför lämplig skyddsmask.

Det är inte tillåtet att bearbeta material som kan vara hälsovadligt (t.ex. asbest).

Stäng av maskinen omedelbart om ett verktyg som används sitter fast! Sätt sedan inte på maskinen igen så länge som verktyget som används fortfarande sitter fast; risk för okontrollerade slag med högt reaktionsmoment. Ta reda på orsaken varför verktyget fastnade och åtgärda orsaken med hänsyn till säkerhetsanvisningarna.

Gå aldrig med händerna in i en maskin som är igång.

Drag ur batteripaket innan arbete utföres på maskinen.

Kasta inte förbrukade batterier. Lämna dem till Milwaukee Tools för återvinning.

Förvara ej batteriet ihop med metallföremål, kortslutning kan uppstå.

System M18 batterier laddas endast i System M18 laddare. Ladda inte batterier från andra system.

Batterier lagras torrt och skyddas för fukt.

Under extrem belastning eller extrem temperatur kan batterivätska tränga ut ur skadade utbytesbatterier. Vid beröring med batterivätska tvätta genast av med vatten och tvål. Vid ögonkontakt spola genast i minst 10 minuter och kontakta genast läkare.

**Varning!** För att undvika den fara för brand, personskador eller produktsskador som orsakas av en kortslutning, doppa inte ner

verktyget, utbytesbatteriet eller laddaren i vätskor och se till att ingen vätska kan tränga in i apparaterna eller batterierna. Korroderande eller ledande vätskor, som saltvatten, vissa kemikalier, blekningsmedel eller produkter som innehåller blekmedel, kan orsaka en kortslutning.

#### ANVÄND MASKINEN ENLIGT ANVISNINGARNA

Handmröraren är till för att bländning av pulverformiga byggmaterial som murbruk, grips, bindemedel liksom av lösningsmedelsfria färger, lacker och liknade ämnen.

Maskinen får endast användas för angiven tillämpning.

#### CE-FÖRSÄKRAN

Vi intygar och ansvarar för att den produkt som beskrivs under "Tekniska data" överensstämmer med alla relevanta bestämmelser i direktiv 2011/65/EU (RoHS), 2014/30/EU, 2006/42/EG och följande harmoniserade normerande dokument:

EN 62841-1:2015  
EN 62841-2-1:2010  
EN 62841-2-10:2016  
EN 55014-1:2006 + A1:2009 + A2:2011  
EN 55014-2:2015  
EN 50581:2012

Winnenden, 2017-08-31

*Alexander Krug*

Alexander Krug  
Managing Director



Befullmäktigad att sammanställa teknisk dokumentation.

Techtronic Industries GmbH  
Max-Eyth-Straße 10  
71364 Winnenden  
Germany

#### BATTERIER

Batteri som ej använts på länge måste laddas före nytt bruk.

En temperatur över 50°C reducerar batteriets effekt. Undvik längre uppvärmning tex i solen eller nära ett element.

Se till att anslutningskontakterna i laddaren och på batteriet är rena.

För en optimal livslängd ska batterierna laddas helt igen efter användningen.

För att få en så lång livslängd som möjligt bör laddningsbara batterier avlägsnas från laddaren när de är laddade.

Om laddningsbara batterier lagras längre än 30 dagar:

Lagra batteriet torrt och vid ca 27°C.

Lagra batteriet vid ca 30%-50% av laddningskapaciteten.

Ladda batterierna på nytt var 6:e månad.

#### BATTERI-ÖVERBELASTNINGSSKYDD

Om det uppladdningsbara batteriet överbelastas på grund av mycket hög strömförbrukning, till exempel vid extremt höga vridmoment, fastklämning av borret, plötsligt stopp eller kortslutning, brummar elverktyget i 2 sekunder och stängs sedan av automatiskt.

Släpp därefter först upp tryckknappen och slå sedan på elverktyget igen, om du vill fortsätta bearbetningen.

Vid extrem belastning kan batteriet bli väldigt varmt. I ett sådant fall stängs batteriet av automatiskt.

Sätt då batteriet i laddaren för att ladda upp och aktivera det igen.

#### TRANSPORTERA LITIJUMJON-BATTERIER

För litiumjon-batterier gäller de lagliga föreskrifterna för transport av farligt gods på väg.

Därför får dessa batterier endast transporteras enligt gällande lokala, nationella och internationella föreskrifter och bestämmelser.

- Konsumenter får transportera dessa batterier på allmän väg utan att behöva beakta särskilda föreskrifter.
- För kommersiell transport av litiumjon-batterier genom en speditorsfirma gäller emellertid bestämmelserna för transport av farligt gods på väg. Endast personal som känner till alla tillämpliga

föreskrifter och bestämmelser får förbereda och genomföra transporten. Hela processen ska följas upp på fackmässigt sätt.

Följande ska beaktas i samband med transporten av batterier:

- Säkerställ att alla kontakter är skyddade och isolerade för att undvika kortslutning.
- Se till att batteripacken inte kan glida fram och tillbaka i förpackningen.
- Transportera aldrig batterier som läcker, har runnit ut eller är skadade.

För mer information vänligen kontakta din speditorsfirma.

#### SKÖTSEL

Använd endast Milwaukee-tillbehör och Milwaukee-reservdelar. Komponenter, för vilka inget byte beskrivs, skall bytas ut hos Milwaukee-kundtjänst (se broschyren garanti-/kundtjänstadresser).

Vid behov kan du rekrytera apparatens sprängskiss antingen hos kundservicen eller direkt hos Techtronic Industries GmbH, Max-Eyth-Straße 10, 71364 Winnenden, Germany. Du ska då ange maskintypen och numret på sex siffror som står på effektskytten.

#### SYMBOLER



OBSERVERA! VARNING! FARA!



Drag ur batteripaket innan arbete utföres på maskinen.



Läs instruktionen noga innan du startar maskinen.



Elektriska maskiner, batterier/uppladdningsbara batterier och får inte slängas tillsammans med de vanliga hushållsoporna. Elektriska maskiner och uppladdningsbara batterier ska samlas separat och lämnas till en avfallsstation för miljövänlig avfallshantering. Kontakta den lokala myndigheten respektive kommunen eller fråga återförsäljare var det finns speciella avfallsstationer för elskrot.



CE-symbol



Nationell symbol för överensstämmelse Ukraine



EurAsian överensstämmelsesymbol.



**TEKNISEET TIEDOTKÄSISSÄ PIDETTÄVÄ LANGATON SEKOITIN****M18 FPM**

|                                       |                             |
|---------------------------------------|-----------------------------|
| Tuotantnumero .....                   | 4589 32 01...               |
| .....                                 | ...00001-999999             |
| Kuormittamaton kierrosnopeus .....    | 0-550 min <sup>-1</sup>     |
| Työkaluistukka .....                  | M14                         |
| Sekoittimen enimmäislämpömitta .....  | 120 mm                      |
| Suurin suositeltu sekoitusmäärä ..... | 20 l                        |
| Jännite vaihtoakku .....              | 18 V                        |
| Paino akun kera .....                 | 2,3 kg                      |
| Paino EPTA-meneteltyyn 01/2003 mukaan |                             |
| 1,5 Ah / 2,0 Ah akun kera .....       | 2,6 kg                      |
| 3,0 Ah / 4,0 Ah akun kera .....       | 3,0 kg                      |
| 9,0 Ah akun kera .....                | 3,4 kg                      |
| Sallittu ympäristön lämpötila         |                             |
| ladattaessa .....                     | 0 ... +50 °C                |
| käytössä ja varastoinnissa .....      | -18 ... +50 °C              |
| Suosittelut akkusarjat .....          | M18B                        |
| Suosittelut latauslaitteet .....      | M12-18C, M12-18FC, M12-18AC |

**Melunpäästö-/tärinä tiedot**

|   |             |
|---|-------------|
| Mitta-arvot määritetty EN 62841 mukaan.     |             |
| Koneen tyypillinen A-luokitettu melutaso:   |             |
| Melutaso (Epävarmuus K=3dB(A)) .....        | 70,7 dB (A) |
| Äänenvoimakkuus (Epävarmuus K=3dB(A)) ..... | 81,7 dB (A) |

**Käytä kuulosuojaimia!**

Värähtelyn yhteisarvot (kolmen suunnan vektorisumma) mitattuna EN 62841 mukaan.

|   |                      |
|---|----------------------|
| Värähtelyemissioarvo a <sub>w</sub> ..... | 1,2 m/s <sup>2</sup> |
| Epävarmuus K= .....                       | 1,5 m/s <sup>2</sup> |

**VAROITUS!**

Näissä ohjeissa mainittu värähtelytaso on mitattu EN 62841 -standardin mukaisella mittausmenetelmällä ja sitä voidaan käyttää sähkötyökalujen vertaamiseen. Sitä voidaan käyttää myös värähtelyrasituksen väliaikaiseen arviointiin.

Mainittu värähtelytaso edustaa sähkötyökalun pääasiallista käyttöä. Jos sähkötyökalua kuitenkin käytetään muihin tehtäviin, poikkeavin työkaluun tai riittämättömästi huoltaen, värähtelytaso voi olla erilainen. Se voi korottaa värähtelyrasitusta koko työajan osalta.

Tarkan värähtelyrasituksen toteamiseen tulee ottaa huomioon aika, jona laite on kytketty pois tai on kylläkin päällä, mutta ei käytössä. Se voi pienentää värähtelyrasitusta koko työajan osalta.

Määrittele lisäturvatoimenpiteitä käyttäjän suojaamiseksi värinöiden vaikutukselta, kuten esimerkiksi: sähkötyökalujen ja käyttötyökalujen huolto, käsien lämpimän pitäminen, työvaiheiden organisaatio.

**VAROITUS** Lue kaikki turvallisuusmääräykset, ohjeet, kuvitukset ja erittelyt, jotka toimitetaan tämän sähkötyökalun mukana. Jäljempänä annettujen ohjeiden noudattamisen laiminlyönti saattaa johtaa sähköiskuun, tulipaloon ja/tai vakavaan loukkaantumiseen.

**KÄDESSÄPIDETTÄVÄN SEKOITTIMEN TURVALLISUUSOHJEET**

**Pitele laitetta molemmin käsin tähän tarkoitettuista kahvoista.** Työkalun hallinnan menetyksestä uhkaa tapaturman vaara.

**Huolehdi riittävästä ilmanvaihdosta syttyviä materiaaleja sekoitettaessa, jotta ei synny räjähdysalustaa ilmapiiriä.** Kehittyvät höyryt saatetaan hengittää tai ne voivat syttyä sähkötyökalun kehittämistä kipinöistä.

**Ei saa sekoittaa elintarvikkeita.** Tämä työkalu ja sen varusteet eivät sovellu elintarvikkeiden työstöön.

**Varmista, että sekoitusastian asento on pitävä ja vakaa.** Riittämättömästi varmistettu astia saattaa yllättäen siirtyä paikaltaan.

**Varmista, ettei sähkötyökalun koteloon roisku nesteitä.** Sähkötyökalun sisälle tunkeutuvat nesteet voivat aiheuttaa vaurioita ja johtaa sähköiskuun.

**Noudata sekoitettavaa materiaalia koskevia ohjeita ja varoituksia.** Sekoitettava materiaali saattaa olla haitallista.

**Älä pane käsiäsi sekoitusastian sekoittamisen aikana tai työssä mitään esineitä astiaan.** Sekoitus työkaluun koskettaminen saattaa aiheuttaa vakavia vammoja.

**Käynnistä ja sammuta laite vain sen ollessa sekoitusastiasa.** Sekoitin voi käännyä tai pyöriä odottamattomalla tavalla.

**TÄYDENTÄVIÄ TURVALLISUUSMÄÄRÄYKSIÄ JA TYÖSKENTELYOHJEITA**

Käytä suojavarusteita. Käytä aina suojalaseja käyttäessäsi konetta. Suosittelemme suojavarusteiden käyttöä, näihin kuuluvat pölysuojanaamarit, työkasineet, tukevat, luistamattomat jalkineet, kypärä ja kuulosuojukset.

Koneen käytöstä aiheutuva pöly ja jäte voi olla haitallista terveydelle eikä sen vuoksi tulisi päästä kosketukseen ihon kanssa. Koneella työskennellessä on käytettävä sopivaa suojainta.

Terveydellisiä vaaroja aiheuttavien materiaalien (esim. asbestin) työstäminen on kielletty.

Jos käytetty työkalu juuttuu kiinni, sammuta laite heti! Älä kytkä laitetta uudelleen päälle työkalun ollessa vielä kiinni juuttuneena, koska tästä saattaa aiheutua voimakas takaisku. Selvitä työkalun juuttumisen syy ja poista syy turvallisuusmääräyksiä noudattaen.

Älä tartu käynnissä olevan koneen työosiin.

Ota akku pois ennen kaikkia koneeseen tehtäviä toimenpiteitä.

Käytettyjä vaihtoakkuja ei saa polttaa eikä poistaa normaalin jätehuollon kautta. Milwaukeella on tarjolla vanhoja vaihtoakkuja varten ympäristöystävällinen jätehuoltopalvelu.

Vaihtoakkuja ei saa säilyttää yhdessä metalliesineiden kanssa (oikosulkuvaara).

Käytä ainoastaan System M18 latauslaitetta System M18 akkujen lataukseen. Älä käytä muiden järjestelmien akkuja.

Vaihtoakkuja ja latauslaitteita ei saa avata. Säilytys vain kuivissa tiloissa. Suojattava kosteudelta.

Vaurioituneesta akusta saattaa erityisen kovassa käytössä tai poikkeavassa lämpötilassa vuotaa akkuhappoa. Ihonkohta, joka on joutunut kosketukseen akkuhapon kanssa on viipymättä pestävä

vedellä ja saippualla. Silmä, johon on joutunut akkuhappoa, on huuhdeltava vedellä vähintään 10 minuutin ajan, jonka jälkeen on viipymättä hakeuduttava lääkärin apuun.

**Varoitus!** Jotta vältetään lyhytsulun aiheuttama tulipaloo, loukkaantumisen tai tuotteen vahingoittumisen vaara, älä koskaan upota työkalua, vaihtoakkuja tai latauslaitetta nesteeseen ja huolehdi siitä, ettei mitään nesteitä pääse tunkeutumaan laitteiden tai akkujen sisään. Syövyttävät tai sähköä johtavat nesteet, kuten suolavesi, tietyt kemikaalit ja lalkaisuaineet tai valkaisuaineita sisältävät tuotteet voivat aiheuttaa lyhytsulun.

**TARKOITUKSEN MUKAINEN KÄYTTÖ**

Kädessäpidettävää sekoitinta käytetään jauheimaisten rakennusaineiden, kuten laastin, kipsin, sidosaineiden sekä liuotteettomien maalien, lakkojen ja vastaavien aineiden sekoittamiseen.

Älä käytä tuotetta ohjeiden vastaisesti.

**TODISTUS CE-STANDARDIN MUKAISUUDESTA**

Vakuutamme yksinvastuullisesti, että kohdassa "Tekniset tiedot" kuvattu tuote vastaa kaikkia sitä koskevia direktiivien 2011/65/EU (RoHS), 2014/30/EU, 2006/42/EY määräyksiä sekä seuraavia harmonisoituja standardisoivia asiakirjoja:

EN 62841-1:2015  
EN 62841-2-1:2010  
EN 62841-2-10:2016  
EN 55014-1:2006 + A1:2009 + A2:2011  
EN 55014-2:2015  
EN 50581:2012

Winnenden, 2017-08-31



Alexander Krug  
Managing Director



Valtuutettu kokoamaan tekniset dokumentit.

Technronic Industries GmbH  
Max-Eyth-Straße 10  
71364 Winnenden  
Germany

**AKKU**

Pitkään käyttämättä olleet vaihtoakut on ladattava ennen käyttöä.

Yli 50°C lämpötilassa akun suorituskyky heikkenee. Vältähän akkujen säilyttämistä auringossa tai kuumissa tiloissa.

Pidä aina latauslaitteen ja akun kosketinpinnat puhtaina.

Akut on ladattava täyteen käytön jälkeen optimaalisen eliniän säilyttämiseksi.

Mahdollisimman pitkän elinajan takaamiseksi akut tulee poistaa laturista lataamisen jälkeen.

Akkuja yli 30 päivää säilytettäessä: Säilytä akku yli 27 °C:ssa ja kuivassa. Säilytä akku sen latauksen ollessa 30 % - 50 %. Lataa akku 6 kuukauden välein uudelleen.

**AKUN YLIKUORMITUSSUOJAUS**

Jos akku ylikuormittuu erittäin suuren virrankulutuksen vuoksi, esim. erittäin suurten vääntömomenttien, poran terän kiinnijuttumisen, äkillisen pysähtymisen tai lyhytsulun vuoksi, niin sähkötyökalu surisee 2 sekunnin ajan ja sammuu sitten omatoimisesti. Käynnistä laite uudelleen päästämällä katkaisinpainike irti ja kytkemällä se sitten uudelleen. Erittäin suuressa kuormituksessa saattaa akku kuumeta liikaa. Tässä tapauksessa akku kytkeytyy pois. Työnnä akku sitten latauslaitteeseen ja lataa se jälleen, jotta se aktivoituu.

**LITIUMI-IONI AKKujen KULJETTAMINEN**

Litiumi-ioniakut kuuluvat vaarallisten aineiden kuljetuksesta annettujen lakien piiriin.

Näiden akkujen kuljettaminen täytyy suorittaa noudattaen paikallisia, kansallisia ja kansainvälisiä määräyksiä ja säädöksiä.

- Kuluttajat saavat ilman muuta kuljettaa näitä akkuja teitä pitkin.
- Kaupallisessa kuljetuksessa huolintaliikkeiden täytyy kuljettaa litiumi-ioniakkuja vaarallisten aineiden kuljetuksesta annettujen määräysten mukaisesti. Ainoastaan tähän vastaavasti koulutetut henkilöt saavat suorittaa kuljetuksen valmisteluimet ja itse kuljetuksen. Koko prosessia tulee valvoa asiantuntevasti.

Seuraavat kohdat tulee huomioida akkuja kuljetettaessa:

- Varmista, että akkujen kontaktit on suojattu ja eristetty, jotta vältetään lyhytsulut.
- Huolehdi siitä, ettei akkusarja voi luiskahtaa paikaltaan pakkauksen sisällä.
- Vahingoittuneita tai vuotavia akkuja ei saa kuljettaa.

Pyydä tarkemmat tiedot huolintaliikkeeltäsi.

**HUOLTO**

Käytä ainoastaan Milwaukee lisätarvikkeita ja Milwaukee varaosia. Mikäli jokin komponentti, jota ei ole kuvailtu, tarvitsee vaihtoa ota yhteys johonkin Milwaukee palvelupisteistä (kts. listamme takuuhuoltoilikkeiden/ palvelupisteiden osoitteista)

Tarvittaessa voit pyytää laitteen räjähdyspiirustuksen ilmoittaen konetyypin ja tyypillivälissä olevan kuusinumeroisen luvun huoltopalvelustasi tai suoraan osoitteella Technronic Industries GmbH, Max-Eyth-Strasse 10, 71364 Winnenden, Saksa.

**SYMBOLIT**

HUOMIO! VAROITUS! VAARA!



Ota akku pois ennen kaikkia koneeseen tehtäviä toimenpiteitä.



Lue käyttöohjeet huolellisesti, ennen koneen käynnistämistä.



Sähkölaitteita, paristoja/akkuja ei saa hävittää yhdessä kotitalousjätteiden kanssa. Sähkölaitteet ja akut tulee kerätä erikseen ja toimittaa kierrätysliikkeeseen ympäristöystävällistä hävittämistä varten. Pyydä paikallisilta viranomaisilta tai alan kauppiaaltasi tarkemmat tiedot kierrätyspisteistä ja keräyspaikoista.



CE-merkki



Kansallinen standardinmukaisuusmerkki Ukraina



EurAsian-vaatimustenmukaisuusmerkki.

| ΤΕΧΝΙΚΑ ΧΑΡΑΚΤΗΡΙΣΤΙΚΑ                      | ΑΝΑΜΙΚΤΗΡΑΣ ΧΕΡΙΟΥ ΧΩΡΙΣ ΚΑΛΩΔΙΟ  | M18 FPM |
|---|-----------------------------------|---------|
| Αριθμός παραγωγής.....                      | 4589 32 01...<br>...000001-999999 |         |
| Αριθμός στρωφών χωρίς φορτίο .....          | 0-550 min <sup>-1</sup>           |         |
| Υποδοχή εργαλείου .....                     | M14                               |         |
| Μέγ. διάμετρος εργαλείου ανάμιξης.....      | 120 mm                            |         |
| Μέγ. συνιστώμενη ποσότητα ανάμιξης.....     | 20 l                              |         |
| Τάση ανταλλακτικής μπαταρίας .....          | 18 V                              |         |
| Βάρος με μπαταρία.....                      | 2,3 kg                            |         |
| Βάρος σύμφωνα με τη διαδικασία EPTA 01/2003 |                                   |         |
| με μπαταρία 1,5 Ah / 2,0 Ah .....           | 2,6 kg                            |         |
| με μπαταρία 3,0 Ah / 4,0 Ah .....           | 3,0 kg                            |         |
| με μπαταρία 9,0 Ah .....                    | 3,4 kg                            |         |
| Επιπρεπτή θερμοκρασία περιβάλλοντος         |                                   |         |
| κατά τη φόρτιση.....                        | 0 ... +50 °C                      |         |
| κατά τη λειτουργία και την αποθήκευση ..... | -18 ... +50 °C                    |         |
| Συνιστώμενη δέσμη συσσωρευτών .....         | M18B                              |         |
| Συνιστώμενη συσκευή φόρτισης.....           | M12-18C, M12-18FC, M12-18AC       |         |

#### Πληροφορίες θορύβου/δονήσεων

Τιμές μέτρησης εξακριβωμένες κατά EN 62841.

Η σύμφωνα με την καμπύλη A εκτιμηθείσα στάθμη θορύβου του μηχανήματος αναφέρεται σε:

Στάθμη ηχητικής πίεσης (Ανασφάλεια K=3dB(A))..... 70,7 dB (A)

Στάθμη ηχητικής ισχύος (Ανασφάλεια K=3dB(A))..... 81,7 dB (A)

#### Φοράτε προστασία ακοής (ωτασπίδες)!

Υλικές τιμές κραδασμών (άθροισμα διανυσμάτων τριών διευθύνσεων) εξακριβώθηκαν σύμφωνα με τα πρότυπα EN 62841.

Τιμή εκπομπής δονήσεων a<sub>h</sub>..... 1,2 m/s<sup>2</sup>  
Ανασφάλεια K=..... 1,5 m/s<sup>2</sup>

#### ΠΡΟΕΙΔΟΠΟΙΗΣΗ

Το αναφερόμενο σ' αυτές τις οδηγίες επίπεδο δονήσεων έχει μετρηθεί με μια τυποποιημένη σύμφωνα με το EN 62841 μέθοδο μέτρησης και μπορεί να χρησιμοποιηθεί για τη σύγκριση των ηλεκτρικών εργαλείων μεταξύ τους. Αυτό είναι επίσης κατάλληλο για μια προσωρινή εκτίμηση της επιβάρυνση των δονήσεων.

Το αναφερόμενο επίπεδο δονήσεων αντιπροσωπεύει τις κύριες χρήσεις του ηλεκτρικού εργαλείου. Εάν όμως το ηλεκτρικό χρησιμοποιείται σε άλλες χρήσεις, με διαφορετικά εργαλεία εφαρμογής ή ανεπαρκή συντήρηση, μπορεί να υπάρξει απόκλιση του επιπέδου δονήσεων. Αυτό μπορεί να αυξήσει σημαντικά την επιβάρυνση των δονήσεων για τη συνολική διάρκεια της εργασίας.

Για μια ακριβή εκτίμηση της επιβάρυνσης των δονήσεων οφείλουν επίσης να λαμβάνονται υπόψη οι χρόνοι, στους οποίους η συσκευή είναι απενεργοποιημένη ή είναι μεν ενεργοποιημένη αλλά δεν χρησιμοποιείται πραγματικά. Αυτό μπορεί να μειώσει σημαντικά την επιβάρυνση των δονήσεων για τη συνολική διάρκεια της εργασίας.

Καθορίζετε πρόσθετα μέτρα ασφαλείας για την προστασία του χειριστή από την επίδραση των δονήσεων όπως για παράδειγμα: Συντήρηση του ηλεκτρικού εργαλείου και των εργαλείων εφαρμογής, διατηρείτε ζεστά τα χέρια, οργάνωση των διαδικασιών εργασίας.

**⚠ ΠΡΟΕΙΔΟΠΟΙΗΣΗ!** Διαβάστε όλες τις προειδοποιητικές υποδείξεις, οδηγίες, περιγραφές και προδιαγραφές γι' αυτό το ηλεκτρικό εργαλείο. Αμέλειες κατά την τήρηση των προειδοποιητικών υποδείξεων μπορεί να προκαλέσουν ηλεκτροπληξία, κίνδυνο πυρκαγιάς ή/και σοβαρούς τραυματισμούς.

#### ⚠ ΠΡΟΕΙΔΟΠΟΙΗΣΕΙΣ ΓΙΑ ΤΟΝ ΑΝΑΜΙΚΤΗΡΑ ΧΕΡΙΟΥ

**Κρατάτε τη συσκευή με τα δύο χέρια από τις χειρολαβές που προβλέπονται για τον σκοπό αυτό.** Σε περίπτωση απώλειας του ελέγχου επί του εργαλείου, υφίσταται κίνδυνος τραυματισμού.

**Κατά την ανάμιξη εύφλεκτων υλικών να φροντίζετε για επαρκή αερισμό, για να μη δημιουργείται εκρηκτική ατμόσφαιρα.** Στην περίπτωση αυτή δεν αποκλείεται η εισπνοή του δημιουργούμενου ατμού ή η ανάφλεξή τους από σπινθήρες της ηλεκτρικής συσκευής.

**Να μην χρησιμοποιείται για τρόφιμα. Οι ηλεκτρικές συσκευές** και τα εξαρτήματά τους δεν είναι κατάλληλες για την επεξεργασία τροφίμων.

**Το δοχείο ανάμιξης να στέκεται σταθερά.** Σε αντίθετη περίπτωση μπορεί ξαφνικά να γλιστρήσει.

**Συγουρευθείτε πως δεν πισπιζίζουν υγρά στο περίβλημα της ηλεκτρικής συσκευής.** Τα υγρά που εισέρχονται στη συσκευή μπορεί να προκαλέσουν βλάβες ή και ηλεκτροπληξία.

**Να προσέχετε τις οδηγίες και προειδοποιήσεις για το υλικό ανάμιξης.** Το υλικό ανάμιξης θα μπορούσε να είναι επιβλαβές.

**Μη βάζετε τα χέρια στο δοχείο ανάμιξης και κατά τη διάρκεια της ανάμιξης μην βάζετε μέσα αντικείμενα.** Η επαφή με τον μηχανισμό ανάμιξης μπορεί να προκαλέσει τραυματισμούς.

**Η ενεργοποίηση και απενεργοποίηση της συσκευής να γίνεται μόνο εντός του δοχείου ανάμιξης.** Ο μηχανισμός ανάμιξης μπορεί να λυγίσει ή να στρίψει ανεξέλεγκτα.

**Προειδοποίηση!** Για να αποτρέπεται τον κίνδυνο πυρκαγιάς λόγω βραχυκυκλώματος, τραυματισμούς ή ζημιές του προϊόντος, να μη βυθίζετε το εργαλείο, τον ανταλλακτικό συσσωρευτή ή τη συσκευή φόρτισης σε υγρά και να φροντίζετε, ώστε να μη διεισδύουν υγρά στις συσκευές και τους συσσωρευτές. Διαβρωτικές ή αγώγιμες υγρές ουσίες, όπως αλατόνερο, ορισμένες χημικές ουσίες και λευκαντικά ή προϊόντα που περιέχουν λευκαντικά, μπορεί να προκαλέσουν βραχυκύκλωμα.

#### ΧΡΗΣΗ ΣΥΜΦΩΝΑ ΜΕ ΤΟ ΣΚΟΠΟ ΠΡΟΟΡΙΣΜΟΥ

Ο αναμικτήρας χειριού προορίζεται για την ανάμιξη οικοδομικών υλικών σε μορφή σκόνης, όπως κονίαμα, ψύφος, συνδετικά υλικά και μπετόνες, βερνίκια, αλλά και παρόμοια υλικά χωρίς διαλύτες.

Αυτή η συσκευή επιτρέπεται να χρησιμοποιηθεί μόνο σύμφωνα με τον αναφερόμενο σκοπό προορισμού.

#### ΔΗΛΩΣΗ ΠΙΣΤΟΤΗΤΑΣ ΕΚ

Δηλώνουμε υπεύθυνα ότι το προϊόν που περιγράφεται στο κεφάλαιο «Τεχνικά χαρακτηριστικά» είναι συμβατό με τις διατάξεις της Κοινοτικής Οδηγίας 2011/65/EU (RoHS), 2014/30/EU, 2006/42/ΕΚ και με τα ακόλουθα εναρμονισμένα κανονιστικά έγγραφα:

EN 62841-1:2015  
EN 62841-2-1:2010  
EN 62841-2-10:2016  
EN 55014-1:2006 + A1:2009 + A2:2011  
EN 55014-2:2015  
EN 50581:2012

Winnenden, 2017-08-31

*Alexander Krug*

Alexander Krug  
Managing Director

Εξουσιοδοτημένος να συντάξει τον τεχνικό φάκελο.

Technic Industries GmbH  
Max-Eyth-Straße 10  
71364 Winnenden  
Germany

#### ΙΔΙΟΨΑΝΣΑΟ

Επαναφορτίζετε τις ανταλλακτικές μπαταρίες που δεν έχουν χρησιμοποιηθεί για μεγαλύτερο χρονικό διάστημα πριν τη χρήση.

Μια θερμοκρασία πάνω από 50°C μειώνει την ισχύ της ανταλλακτικής μπαταρίας.

Αποφεύγετε τη θέρμανση για μεγαλύτερο χρονικό διάστημα από τον ήλιο ή τις συσκευές θέρμανσης.

Διατηρείτε τις επαφές σύνδεσης στο φορτιστή και στην ανταλλακτική μπαταρία καθαρές.

Για μια άριστη διάρκεια ζωής πρέπει μετά τη χρήση οι μπαταρίες να φορτιστούν πλήρως.

Για μια κατά το δυνατόν μεγάλη διάρκεια ζωής οι μπαταρίες μετά τη φόρτιση οφείλουν να αφαιρεθούν από το φορτιστή.

Για την αποθήκευση της μπαταρίας για διάστημα μεγαλύτερο των 30 ημερών:

Αποθηκεύετε τη μπαταρία περ. στους 27°C σε στεγνό χώρο.

Αποθηκεύετε τη μπαταρία περ. στο 30%-50% της κατάστασης φόρτισης.

Κάθε 6 μήνες φορτίζετε εκ νέου τη μπαταρία.

#### ΠΡΟΣΤΑΣΙΑ ΥΠΕΡΦΟΡΤΩΣΗΣ ΤΗΣ ΜΠΑΤΑΡΙΑΣ

Σε υπερφόρτωση της μπαταρίας από πολύ υψηλή κατανάλωση ρεύματος, π. χ. από ακραίες υψηλές ροτές περιστροφής, μπλοκάρισμα του τρυπανιού, ξαφνικό stop ή βραχυκύκλωμα, δίνεται το ηλεκτρικό εργαλείο για 5 δευτερόλεπτα, αναβοσβήνει η ένδειξη φόρτισης και το ηλεκτρικό εργαλείο απενεργοποιείται αυτόματα.

Για μια νέα ενεργοποίηση, αφήνετε ελεύθερο το διακόπτη και στη συνέχεια ενεργοποιείτε εκ νέου.

Κάτω από ακραίες καταπονήσεις θερμαίνεται πάρα πολύ η μπαταρία. Στην περίπτωση αυτή αναβοσβήνουν όλες οι λάμπες της ένδειξης φόρτισης μέχρι να έχει κρυώσει η μπαταρία. Μετά το σβήσιμο της ένδειξης φόρτισης μπορεί να συνεχιστεί η συνεργασία.

#### ΜΕΤΑΦΟΡΑ ΤΩΝ ΜΠΑΤΑΡΙΩΝ ΙΟΝΤΩΝ ΛΙΘΙΟΥ

Οι μπαταρίες ιόντων λιθίου υπόκεινται στις απαιτήσεις των νομικών διατάξεων για την μεταφορά επικινδύνων εμπορευμάτων.

Η μεταφορά τέτοιων μπαταριών πρέπει να πραγματοποιείται ηρώνας τους τοπικούς, εθνικούς και διεθνείς κανονισμούς και τις αντίστοιχες διατάξεις.

- Επιτρέπεται η μεταφορά τέτοιων μπαταριών στο δρόμο χωρίς περαιτέρω απαιτήσεις.

- Η εμπορική μεταφορά μπαταριών ιόντων λιθίου από εταιρείες μεταφορών υπόκειται στις απαιτήσεις των νομικών διατάξεων για την μεταφορά επικινδύνων εμπορευμάτων. Οι προετοιμασίες αποστολής και η μεταφορά πραγματοποιούνται αποκλειστικά από ειδικά εκπαιδευμένα πρόσωπα. Η συνολική διαδικασία συνοδεύεται από εξειδικευμένο προσωπικό.

Κατά τη μεταφορά μπαταριών ιόντων λιθίου πρέπει να προσέχετε τα εξής:

- Φροντίστε τα σημεία επαφών να είναι προστατευμένα και μονωμένα ώστε να αποφευχθούν βραχυκυκλώματα.
- Προσέξτε το πακέτο μπαταριών να είναι σταθερό μέσα στη συσκευασία και να μη γλιστρά.
- Η μεταφορά μπαταριών που παρουσιάζουν φθορές ή διαρροές δεν επιτρέπεται.

Για περισσότερες πληροφορίες απευθυνθείτε στην εταιρεία μετάφορων.

#### ΟΔΙΟΣΧΙΣΟΣ

Χρησιμοποιείτε μόνο πρόσθ. εξαρτήματα Milwaukee και ανταλλακτικά Milwaukee. Κατασκ. τμήματα, που η αλλαγή τους δεν περιγράφεται, αντικαθιστώνται σε μια τεχνική υποστήριξη της Milwaukee (βλέπε φυλλάδιο γύριση/ διευθύνσεις τεχνικής υποστήριξης).

Σε περίπτωση που το χρειαστείτε μπορείτε να παραγγείλετε λεπτομερές σχέδιο της συσκευής αναφέροντας τον τύπο και τον εξαμηνίο αριθμό που βρίσκεται στην πινακίδα τεχνικών χαρακτηριστικών από την εξυπηρέτηση πελατών ή απευθείας από την Technonic Industries GmbH, διεύθυνση Max-Eyth-Straße 10, 71364 Winnenden, Germany.

#### ΣΥΜΒΟΛΑ



ΠΡΟΣΟΧΗ! ΠΡΟΕΙΔΟΠΟΙΗΣΗ! ΚΙΝΔΥΝΟΣ!



Πριν από κάθε εργασία στη μηχανή αφαιρείτε την ανταλλακτική μπαταρία.



Παρακαλώ διαβάστε σχολαστικά τις οδηγίες χρήσης πριν από την έναρξη λειτουργίας.



Ηλεκτρικά μηχανήματα, μπαταρίες/συσσωρευτές δεν επιτρέπεται να απορρίπτονται μαζί με τα οικιακά απορρίμματα.

Ηλεκτρικά μηχανήματα και συσσωρευτές συλλέγονται ξεχωριστά και παραδίδονται προς ανακύκλωση με τρόπο φιλικό προς το περιβάλλον σε ετιχείρηση επεξεργασίας απορριμμάτων. Ενημερωθείτε από τις τοπικές υπηρεσίες ή από ειδικευμένους εμπόρους σχετικά με κέντρα ανακύκλωσης και συλλογής απορριμμάτων.



Σήμα συμμόρφωσης CE



Εθνικό σήμα πιστότητας Ουκρανία



EurAsian σήμα πιστότητας.

## TEKNİK VERİLER KABLOSUZ EL KARIŞTIRICISI M18 FPM

|  |                                   |
|--|-----------------------------------|
| Üretim numarası.....                       | 4589 32 01...<br>...000001-999999 |
| Boştağı devir sayısı.....                  | 0-550 min <sup>-1</sup>           |
| Araç tutucu .....                          | M14                               |
| Azami karıştırıcı çapı .....               | 120 mm                            |
| Tavsiye edilen azami karışım miktarı ..... | 20 l                              |
| Kartuş akü gerilimi.....                   | 18 V                              |
| Akü ile ağırlık.....                       | 2,3 kg                            |
| Ağırlığı ise EPTA-üretici 01/2003'e göre   |                                   |
| batarya ile 1,5 Ah / 2,0 Ah .....          | 2,6 kg                            |
| batarya ile 3,0 Ah / 4,0 Ah .....          | 3,0 kg                            |
| batarya ile 9,0 Ah .....                   | 3,4 kg                            |
| izin verilen ortam sıcaklığı               |                                   |
| şarj ederken .....                         | 0 ... +50 °C                      |
| işletim ve depolamada .....                | -18 ... +50 °C                    |
| Tavsiye edilen güç paketi.....             | M18B                              |
| Tavsiye edilen şarj aletleri.....          | M12-18C, M12-18FC, M12-18AC       |

### Gürültü/Vibrasyon bilgileri

Ölçüm değerleri EN 62841 e göre belirlenmektedir.

Aletin, frekansa bağımlı uluslararası ses basıncı seviyesi değerlendirme eğrisi A'ya göre tipik gürültü seviyesi:

Ses basıncı seviyesi (Tolerans K=3dB(A))..... 70,7 dB (A)

Akustik kapasite seviyesi (Tolerans K=3dB(A))..... 81,7 dB (A)

### Koruyucu kulaklık kullanın!

Toplam titreşim değeri (üç yönün vektör toplamı) EN 62841'e göre belirlenmektedir:

|  |                      |
|--|----------------------|
| Titreşim emisyon değeri a <sub>w</sub> ..... | 1,2 m/s <sup>2</sup> |
| Tolerans K=.....                             | 1,5 m/s <sup>2</sup> |

### UYARI!

Bu talimatlarda belirtilen titreşim seviyesi, EN 62841 standardına uygun bir ölçme metodu ile ölçülmüştür ve elektrikli el aletleri birbiriyle karşılaştırmak için kullanılabilir. Ölçüm sonuçları ayrıca titreşim yükünün geçici değerlendirilmesi için de uygundur.

Belirtilen titreşim seviyesi, elektrikli el aletin genel uygulamaları için geçerlidir. Ancak elektrikli el aleti başka uygulamalar için, farklı eklenti parçalarıyla ya da yetersiz bakım koşullarında kullanılırsa, titreşim seviyesi farklılık gösterebilir. Bu durumda, titreşim yükü toplam çalışma zaman aralığı içerisinde belirgin ölçüde yükselebilir.

Titreşim yükünün tam bir değerlendirmesi için ayrıca cihazın kapalı olduğu süreler ve cihazın çalışır durumda olduğu, ancak gerçek kullanımda bulunmadığı süreler de dikkate alınmalıdır. Böylelikle, toplam çalışma zamanı aralığı boyunca meydana gelen titreşim yükü belirgin ölçüde azaltılabilir.

Kullanıcıyı titreşimlerin etkisinden korumak üzere, örneğin elektrikli el aletlerinin ve eklenti parçalarının bakımı, ellerin sıcak tutulması ve iş akışlarının organizasyonu gibi ek güvenlik tedbirleri belirleyiniz.

**⚠ UYARI! Bu elektrikli el aletiyle ilgili bütün uyarıları, talimat hükümlerini, gösterimleri ve spesifikasyonları okuyun.** Aşağıda açıklanan talimat hükümlerine uyulmadığı takdirde elektrik çarpmalarına, yangınlara ve/veya ağır yaralanmalara neden olunabilir.

### ⚠ UYARI NOTLARI EL KARIŞTIRICISI

**Cihazı iki elinizle, tutmaya yarayan saplarından tutunuz.** Alet üzerindeki kontrolünüzü kaybederseniz yaralanma tehlikesi vardır.

**Tutuşabilen materyalleri karıştırırken, patlama tehlikesi teşkil eden bir atmosfer oluşmaması için ortamın yeterince havalandırılması sağlayınız.** Ortaya çıkan buharlar solunabilir veya elektrikli aletin sebep olduğu kıvılcımlardan ötürü alev alabilir.

**Gıda maddeleri için kullanmayınız.** Bu alet ve aksamı gıda maddelerini karıştırmak için uygun değildir.

**Karıştırma kabını sabit bir pozisyonda güvenceye alınız.** Doğru bir şekilde güvenceye alınmamış olan bir kap aniden yerinden kayabilir.

**Elektrikli aletin mahfazasına sıvı sıçramaması sağlanmalıdır.** Elektrikli aletin içine sıızan sıvılar hasara ve elektrik çarpmasına neden olabilir.

**Karıştırma materyali için geçerli olan talimatlara ve uyarı notlarına uyunuz.** Karıştırılacak olan materyal zararlı olabilir.

**Karıştırma kabının içine ellerinizi sokmayınız ve karıştırma işlemi sırasında kabin içine hiçbir şey atmayınız.** Karıştırıcı mekanizmaya temas edilmesi ağır yaralanmalara yol açabilir.

**Cihazı yalnızca karıştırma kabı içerisinde iken başlatınız ve durdurunuz.** Karıştırıcı mekanizma kontrolünüz dışında bükülebilir veya dönebiler.

### EK GÜVENLİK VE ÇALIŞMA TALİMATLARI

Koruma teçhizatı kullanın.Makinada çalışırken devamlı surette koruyucu gözlük takın. Koruyucu elbise ve tozlardan korunma maskesi, emniyet eldivenleri ve sağlam ve kaymayı mukavim ayakkabı giyin. Başlık ve kulaklık tavsiye edilir.

Çalışma sırasında ortaya çıkan toz genellikle sağlığa zararlıdır ve bedeninize temas etmemelidir. Uygun bir koruyucu toz maskesi kullanın

Sağlık tehlikelerine neden olan malzemelerin işlenmesi yasaktır (örn. asbest).

Uca yerleştirilen takımın bloke olması halinde lütfen cihazı hemen kapatın! Uca yerleştirilen takım bloke olduğu sürece cihazı tekrar çalıştırmayın; bu sırada yüksek reaksiyon momentine sahip bir geri tepme meydana gelebilir. Uca yerleştirilen takımın neden bloke olduğuna bakın ve bu durumu güvenlik uyarılarında dikkat ederek gidin.

Ellerinizi çalışmakta olan makinenin içine uzatmayın.

Aletin kendinde bir çalışma yapmadan önce kartuş aküyü çıkarın.

Kullanılmış kartuş aküleri ateşe veya ev çöplerine atmayın. Milwaukeee, kartuş akülerin çevreye zarar vermeyecek biçimde tasfiye edilmesine olanak sağlayan hizmet sunar; lütfen bu konuda yetkili satıcınızdan bilgi alın.

Kartuş aküleri metal parça veya eşyalarla birlikte saklamayın (kısa devre tehlikesi).

M18 sistemli kartuş aküleri sadece M18 sistemli şarj cihazları ile şarj edin. Başka sistemli aküleri şarj etmeyin.

Kartuş aküleri ve şarj cihazını açmayın ve sadece kuru yerlerde saklayın. Neme ve ıslanmaya karşı koruyun.

Aşırı zorlanma veya aşırı ısınma sonucu hasar gören kartuş akülerden batarya sıvısı dışarı akabilir. Batarya sıvısı ile temas gelen yeri hemen bol su ve sabunla yıkayın. Batarya sıvısı gözünüze kaçacak olursa en azından 10 dakika yıkayın ve zaman geçirmeden bir hekime başvurun.

**Uyarı!** Bir kısa devreden kaynaklanan yangın, yaralanma veya ürün hasarları tehlikesini önlemek için aleti, güç paketini veya şarj cihazını asla sıvıların içine daldırmayınız ve cihazların ve pillerin içine sıvı girmesini önleyiniz. Tuzlu su, belirli kimyasallar, aşartıcı madde veya aşartıcı madde içeren ürünler gibi korozif veya iletken sıvılar kısa devreye neden olabilir.

### KULLANIM

El karıştırıcısı harç, alçı ve bağlayıcılar gibi toz haldeki yapı materyallerini ve solvent içermeyen boyalar, cilalar ve benzeri maddeleri karıştırmaya yarar.

Bu alet sadece belirttiği gibi ve usulüne uygun olarak kullanılabilir.

### CE UYGUNLUK BEYANI

Tek sorumlu olarak "Teknik Veriler" bölümünde tarif edilen ürünün 2011/65/EU (RoHS), 2014/30/EU, 2006/42/EC sayılı direktifin ve aşağıdaki harmonize temel belgelerin bütün önemli hükümlerine uygun olduğunu beyan etmekteyiz:

EN 62841-1:2015  
EN 62841-2-1:2010  
EN 62841-2-10:2016  
EN 55014-1:2006 + A1:2009 + A2:2011  
EN 55014-2:2015  
EN 50581:2012

Winnenden, 2017-08-31

*Alexander Krug*

Alexander Krug  
Managing Director



Teknik evrakları hazırlamakla görevlendirilmiştir.

Techtronic Industries GmbH  
Max-Eyth-Straße 10  
71364 Winnenden  
Germany

### AKÜ

Uzun süre kullanım dışı kalmış kartuş aküleri kullanmadan önce şarj edin.

50°C üzerindeki sıcaklıklar kartuş akünün performansını düşürür. Akünün güneş ışığı veya mekân sıcaklığı altında uzun süre ısınmamasına dikkat edin.

Şarj cihazı ve kartuş aküdeki bağlantı noktalarını temiz tutun.

Akünün ömrünün mükemmel bir şekilde uzun olması için kullandıktan sonra tamamen doldurulması gerekir.

Ömrünün mümkün olduğu kadar uzun olması için akülerin yüklemeye yapıldıktan sonra doldurma cihazından uzaklaştırılması gerekir.

Akünün 30 günden daha fazla depolanması halinde:

Aküyü yaklaşık 27°C'de kuru olarak depolayın.

Aküyü yükleme durumunun takriben % 30 - %50 olarak depolayın.

Aküyü her 6 ay yeniden doldurun.

### AKÜNÜN AŞIRI YÜKLENMEYE KARŞI KORUNMASI

Pek fazla elektrik tüketimi yapılmak suretiyle aküye fazla yüklenildiğinde, örneğin aşırı devir momentleri, matkap sıkıştırması, aniden durma veya kısa devre, elektrikli alet 2 saniye garip sesler çıkarır ve kendiliğinden durur.

Aleti yeniden çalıştırmak için şalter baskı kolunu serbest bırakın ve bundan sonra tekrar çalıştırın. Aşırı yüklenme durumunda ise akü pek fazla ısınır. Bu durumda akü kendiliğinden durur. Aküyü tekrar doldurmak ve aktif hale getirmek amacı ile şarja bağlayın.

### LITYUM İYON PİLLERİN TAŞINMASI

Lityum iyon piller tehlikeli madde taşımaçılığı hakkındaki yasal hükümler tabidir.

Bu piller, bölgesel, ulusal ve uluslararası yönetmeliklere ve hükümlere uyularak taşınmak zorundadır.

- Tüketiciler bu pilleri herhangi bir özel şart aranmaksızın karayoluyla taşıyabilirler.
- Lityum iyon pillerin nakliye şirketleri tarafından ticari taşımacılığı için tehlikeli madde taşımacılığının hükümleri geçerlidir. Sevki hazırlığı ve taşıma sadece ilgili eğitimi görmüş personel tarafından gerçekleştirilebilir. Bütün süreç uzmanca bir refakatçilik altında gerçekleştirilmek zorundadır.

Pillerin taşınması sırasında aşağıdaki hususlara dikkat edilmesi gerekmektedir:

- Kısa devre oluşmasını önlemek için kontakların korunmuş ve izole edilmiş olmasını sağlayınız.
- Pili paketinin ambalajı içinde kaymamasına dikkat ediniz.
- Hasarlı veya akmış pillerin taşınması yasaktır.

Ayrıca bilgiler için nakliye şirketinize başvurunuz.

### BAKIM

Sadece Milwaukee aksesuarı ve yedek parçası kullanın. Nasıl değiştirileceği açıklanmamış olan yapı parçalarını bir Milwaukee müşteri servisinde değiştirin (Garanti ve servis adresi broşürüne dikkat edin).

Gerektiğinde cihazın ayrıntılı çizimini, güç levhası üzerindeki makine modelini ve alt haneli rakamı belirterek müşteri servisinizden veya doğrudan Techtronic Industries GmbH, Max-Eyth-Straße 10, 71364 Winnenden, Germany adresinden isteyebilirsiniz.

### SEMBOLLER



DİKKAT! UYARI! TEHLİKE!



Aletin kendinde bir çalışma yapmadan önce kartuş aküyü çıkarın.



Lütfen aleti çalıştırmadan önce kullanma kılavuzunu dikkatli biçimde okuyun.



Elektrikli cihazların, pillerin/akülerin evsel atıklarla birlikte bertaraf edilmesi yasaktır. Elektrikli cihazlar ve aküler ayrılarak biriktirilmeli ve çevreye zarar vermeden bertaraf edilmeleri için bir atık değerlendirme tesisine götürülmelidir. Yerel makamlara veya satıcınıza geri dönüşüm tesisleri ve atık toplama merkezlerinin yerlerini danışınız.



CE işareti



Ulusal uygunluk işareti Ukrayna



EurAsian Uyumluluk işareti



| TECHNICKÉ ÚDAJE                                  | BEZKABELOVÝ RUČNÍ MÍCHAČ    | M18 FPM          |
|--|-----------------------------|------------------|
| Výrobní číslo.....                               | 4589 32 01...               | ...000001-999999 |
| Volnoběžné otáčky.....                           | 0-550 min <sup>-1</sup>     |                  |
| Upnutí nástroje.....                             | M14                         |                  |
| Max. průměr míchače.....                         | 120 mm                      |                  |
| Max. doporučené míchané množství.....            | 20 l                        |                  |
| Napětí výměnného akumulátoru.....                | 18 V                        |                  |
| Hmotnost s akumulátorem.....                     | 2,3 kg                      |                  |
| Hmotnost podle prováděcího předpisu EPTA 01/2003 |                             |                  |
| s výměnnou baterií 1,5 Ah / 2,0 Ah.....          | 2,6 kg                      |                  |
| s výměnnou baterií 3,0 Ah / 4,0 Ah.....          | 3,0 kg                      |                  |
| s výměnnou baterií 9,0 Ah.....                   | 3,4 kg                      |                  |
| Povolená teplota okolního prostředí              |                             |                  |
| při nabíjení.....                                | 0 ... +50 °C                |                  |
| při provozu a skladování.....                    | -18 ... +50 °C              |                  |
| Doporučené akupaky.....                          | M18B                        |                  |
| Doporučené nabíječky.....                        | M12-18C, M12-18FC, M12-18AC |                  |

#### Informace o hluku / vibracích

Naměřené hodnoty odpovídají EN 62841.

V třídě A posuzovaná hladina hluku přístroje činí typicky:

Hladina akustického tlaku (Kolisavost K=3dB(A))..... 70,7 dB (A)

Hladina akustického výkonu (Kolisavost K=3dB(A))..... 81,7 dB (A)

#### Používejte chrániče sluchu!

Celkové hodnoty vibrací (vektorový součet tří směrů) zjištěné ve smyslu EN 62841.

Hodnota vibračních emisí a<sub>h</sub>..... 1,2 m/s<sup>2</sup>

Kolisavost K=..... 1,5 m/s<sup>2</sup>

#### VAROVÁNÍ!

Úroveň chvění uvedená v tomto návodu byla naměřena podle metody měření stanovené normou EN 62841 a může být použita pro porovnání elektrického nářadí. Hodí se také pro průběžný odhad zatížení chvěním.

Uvedená úroveň chvění představuje hlavní účely použití elektrického nářadí. Jestliže se ale elektrické nářadí používá pro jiné účely, s odlišnými nástroji nebo s nedostatečnou údržbou, může se úroveň chvění odlišovat. To může značně zvýšit zatížení chvěním během celé pracovní doby.

Pro přesný odhad zatížení chvěním se musí také zohlednit čas, během kterých je přístroj vypnutý nebo kdy je sice v chodu, ale skutečně se s ním nepracuje. To může zatížení chvěním během celé pracovní doby značně snížit.

Stanovte doplňková bezpečnostní opatření pro ochranu obsluhy před účinky chvění jako například: technická údržba elektrického nářadí a nástrojů, udržování teploty rukou, organizace pracovních procesů.

#### **A** VAROVÁNÍ! Přečtěte si všechna výstražná upozornění, pokyny, zobrazení a specifikace pro toto elektrické nářadí.

Zanedbání při dodržování výstražných upozornění a pokynů uvedených v následujícím textu může mít za následek zášah elektrickým proudem, způsobit požár a/nebo těžké poranění.

#### **A** INFORMACE O NEBEZPEČÍ OD RUČNÍHO MÍCHAČE

**Nástroj držte oběma rukama za rukojeti, které jsou k tomu určeny.** V případě ztráty kontroly nad nástrojem hrozí riziko poranění.

**Při míchání hořlavých materiálů se postarejte o dostatečné větrání, aby nevzniklo ovzduší ohrožené výbuchem.** Vznikající výpary by se mohly vdechnout nebo by se prostřednictvím jisker vyprodukovaných elektrickým nářadím mohly vznítit.

**Nepoužívejte na potraviny.** Toto zařízení a jeho příslušenství nejsou vhodné pro zpracování potravin.

**Nádoby na míchání zabezpečte v stabilní poloze.** Nesprávné zabezpečená nádoba může nečekaně sklouznout.

**Zabezpečte, aby na kryt elektrického nářadí nestříkaly žádné kapaliny.** Kapaliny, které vniknou do elektrického nářadí, mohou způsobit škody a vést k zásahům elektrickým proudem.

**Řiďte se pokyny platícími pro míchaný materiál a výstražnými upozorněními.** Materiál, který se má míchat, by mohl být škodlivý.

**Rukama nesahejte do nádob na míchání a během procesu míchání nezavádějte do nádob žádné předměty.** Kontakt s míchadlem může způsobit těžká zranění.

**Nářadí zapínejte a zastavujte vždy pouze v nádobě na míchání.** Míchač se může nekontrolovatelným způsobem ohýbat nebo otáčet.

#### DALŠÍ BEZPEČNOSTNÍ A PRACOVNÍ POKYNY

Použijte ochranné vybavení. Při práci s elektrickým nářadím používejte vždy ochranné brýle. Doporučujeme rovněž použití součástí ochranného oděvu a ochranné obuvi, jako protiprašné masky, ochranných rukavic, pevné a neklouzající obuvi, ochranné přílby a ochrany sluchu.

Prach vznikající při práci s tímto nářadím může být zdraví škodlivý. Proto by neměl přijít do styku s tělem. Používejte při práci vhodnou ochranou masku.

Nesmějí se opracovávat materiály, které mohou způsobit ohrožení zdraví (např. azbest)

Při zablkování nasazeného nástroje přístroj okamžitě vypněte! Přístroj nezapínejte, pokud je nasazený nástroj zablkovaný; mohl by při tom vzniknout zpětný náraz s vysokým reakčním momentem. Zjistěte příčinu zablkování nasazeného nástroje a odstraňte ji při dodržení bezpečnostních pokynů.

Nezasahujte do běžícího stroje.

Před zahájením veškerých prací na vrtacím šroubováku vyjmout výměnný akumulátor.

Použitě nevyhazujte do domovního odpadu nebo do ohně. Milwaukee nabízí ekologickou likvidaci starých článků, ptejte se u vašeho obchodníka s nářadím.

Náhradní akumulátor neskladujte s kovovými předměty, nebezpečí zkratu.

Akumulátor systému M18 nabíjejte pouze nabíječkou systému M18. Nenabíjejte akumulátory jiných systémů.

Náhradní akumulátory ani nabíječku neotvírejte, skladujte je v suchu, chráňte před vlhkem.

Při extrémní zátěži či vysoké teplotě může z akumulátoru vytékat kapalina. Při zasažení touto kapalinou okamžitě zasažená místa omýjte vodou a mýdlem. Při zasažení očí okamžitě důkladně po dobu alespoň 10min.omývat a neodkladně vyhledat lékaře.

**Varování!** Abyste zabránili nebezpečí požáru způsobeného zkratem, poraněním nebo poškozením výrobku, neponořujte nářadí, výměnnou baterii nebo nabíječku do kapalin a zajistěte, aby do zařízení a akumulátorů nevnikly žádné tekutiny. Korodující nebo vodivé kapaliny, jako je slaná voda, určité chemikálie a bělicí prostředky nebo výrobky, které obsahují bělidlo, mohou způsobit zkrat.

#### OBLAST VYUŽITÍ

Ruční míchač slouží na míchání práškovitých stavebních materiálů, jako je malta, sádra, tmel a na míchání barev a laků bez obsahu rozpouštědel a podobných látek.

Toto zařízení lze používat jen pro uvedený účel.

#### CE-PROHLÁŠENÍ O SHODĚ

Výhradně na vlastní zodpovědnost prohlašujeme, že se výrobek popsany v "Technických údajích" shoduje se všemi relevantními předpisy směrnice 2011/65/EU (RoHS), 2014/30/ES, 2006/42/ES a s následujícími harmonizovanými normativními dokumenty:

EN 62841-1:2015  
EN 62841-2-1:2010  
EN 62841-2-10:2016  
EN 55014-1:2006 + A1:2009 + A2:2011  
EN 55014-2:2015  
EN 50581:2012

Winnenden, 2017-08-31

*Alexander Krug*

Alexander Krug  
Managing Director



Zplnomocněn k sestavování technických podkladů.

Techtronic Industries GmbH  
Max-Eyth-Straße 10  
71364 Winnenden  
Germany

#### AKUMULÁTORY

Déle nepoužívané akumulátory je nutné před použitím znovu nabít.

Teplota přes 50°C snižuje výkon akumulátoru. Chraňte před dlouhým přehříváním na slunci či u topení.

Kontakty nabíječky a akumulátoru udržujte v čistotě.

Optimální životnost akumulátorů se zajistí, když se po použití vždy plně nabijí.

K zabezpečení dlouhé životnosti by se akumulátory měly po nabíti vyjmout z nabíječky.

Při skladování akumulátoru po dobu delší než 30 dní: Skladujte akumulátor v suchu při cca 27°C. Skladujte akumulátor při cca 30%-50% nabíjecí kapacitě. Opakujte nabíjení akumulátoru každých 6 měsíců.

#### OCHRANA PROTI PŘETÍŽENÍ AKUMULÁTORU

Při přetížení akumulátoru přilíží vysokým odběrem proudu, například při extrémně vysokých točivých momentech, při blokování vrtáku, náhlém zastavení nebo zkratu, začne vrtáčka na 2 sekundy brččet a poté se samočinně vypne. K opětovnému zapnutí uvolníte spínací tlačítko a poté jej opět zapnete. Při extrémním zatížení se akumulátor může silně zahřát. Dojde-li k tomu, akumulátor se vypne. Akumulátor v tomto případě k dobití a aktivaci vložte opět do nabíječky.

#### PŘEPRAVA LITHIUM-IONTOVÝCH BATERIÍ

Lithium-iontové baterie spadají podle zákonných ustanovení pod přepravu nebezpečného nákladu.

Přeprava těchto baterií se musí realizovat s dodržováním lokálních, vnitrostátních a mezinárodních předpisů a ustanovení.

- Spotřebitelé mohou tyto baterie bez problémů přepravovat po komunikacích.
- Komerční přeprava lithium-iontových baterií prostřednictvím přepravních firem podléhá ustanovením o přepravě nebezpečného nákladu. Přípravu k vyexpedování a samotnou přepravu smějí vykonávat jen příslušně vyškolené osoby. Na celý proces se musí odborně dohlížet.

Při přepravě baterií je třeba dodržovat následující:

- Zajistěte, aby kontakty byly chráněné a izolované, aby se zamezilo zkratům.
- Dávejte pozor na to, aby se svazek baterií v rámci balení nemohl sesmeknout.
- Poškozené a vyteklé baterie se nesmějí přepravovat.

Ohledně dalších informací se obraťte na vaši přepravní firmu.

#### ÚDRŽBA

Používat výhradně příslušenství Milwaukee a náhradní díly Milwaukee. Díly jejichž výměny nebyla popsána, nechte vyměnit v autorizovaném servisu (viz."Záruky / Seznam servisních míst)

V případě potřeby si můžete v servisním centru pro zákazníky nebo přímo od firmy Techtronic Industries GmbH, Max-Eyth-Straße 10, 71364 Winnenden, Německo vyžádat schematický náčrt jednotlivých dílů přístroje, když uvedete typ přístroje a šestimístné číslo na vykonovém štítku.

#### SYMBOLY



POZOR! VAROVÁNÍ! NEBEZPEČÍ!



Před zahájením veškerých prací na vrtacím šroubováku vyjmout výměnný akumulátor.



Před spuštěním stroje si pečlivě přečtěte návod k používání.



Elektrická zařízení, baterie/akumulátory se nesmí likvidovat společně s odpadem z domácnosti. Elektrická zařízení, baterie/akumulátory je třeba sbírat odděleně a odevzdat je v recyklačním podniku na ekologickou likvidaci. Na místních úřadech nebo u vašeho specializovaného prodejce se informujte na recyklační podniky a sběrné dvory.



Značka CE



Národní znak shody Ukrajiny



Euroasijská značka shody



| TECHNICKÉ ÚDAJE                                    | BEZKÁBLOVÁ RUČNÁ MIEŠAČKA         | M18 FPM |
|--|-----------------------------------|---------|
| Výrobné číslo.....                                 | 4589 32 01...<br>...000001-999999 |         |
| Otáčky naprázdno .....                             | 0-550 min <sup>-1</sup>           |         |
| Upnutie nástroja .....                             | M14                               |         |
| Max. priemer miešadla .....                        | 120 mm                            |         |
| Max. odporúčané miešané množstvo.....              | 20 l                              |         |
| Napätie výmenného akumulátora.....                 | 18 V                              |         |
| Hmotnosť s akumulátorom .....                      | 2,3 kg                            |         |
| Hmotnosť podľa vykonávacieho predpisu EPTA 01/2003 |                                   |         |
| s výmennou batériou 1,5 Ah / 2,0 Ah .....          | 2,6 kg                            |         |
| s výmennou batériou 3,0 Ah / 4,0 Ah .....          | 3,0 kg                            |         |
| s výmennou batériou 9,0 Ah.....                    | 3,4 kg                            |         |
| Dovolená teplota okolitého prostredia              |                                   |         |
| pri nabíjaní .....                                 | 0 ... +50 °C                      |         |
| pri prevádzke a skladovaní .....                   | -18 ... +50 °C                    |         |
| Odporúčané akupaky .....                           | M18B                              |         |
| Odporúčané nabíjačky.....                          | M12-18C, M12-18FC, M12-18AC       |         |

#### Informácia o hluku / vibráciách

Namerané hodnoty určené v súlade s EN 62841.

V triede A posudzovaná hladina hluku prístroja číni typicky:

Hladina akustického tlaku (Kolisavosť K=3dB(A))..... 70,7 dB (A)

Hladina akustického výkonu (Kolisavosť K=3dB(A))..... 81,7 dB (A)

#### Používajte ochranu sluchu!

Celkové hodnoty vibrácií (vektorový súčet troch smerov) zistené v zmysle EN 62841.

Hodnota vibračných emisií a..... 1,2 m/s<sup>2</sup>

Kolisavosť K=..... 1,5 m/s<sup>2</sup>

#### POZORI!

Úroveň vibrácií uvedená v týchto pokynoch bola nameraná meracou metódou, ktorú stanovuje norma EN 62841 a je možné ju použiť na vzájomné porovnanie elektrického náradia. Hoď sa aj na predbežné posúdenie kmitavého namáhania.

Uvedená úroveň vibrácií reprezentuje hlavné aplikácie elektrického náradia. Ak sa však elektrické náradie používa pre iné aplikácie, s odlišnými vloženými nástrojmi alebo s nedostatočnou údržbou, môže sa úroveň vibrácií líšiť. Toto môže kmitavé namáhanie v priebehu celej pracovnej doby podstatne zvýšiť.

Pre presný odhad kmitavého namáhania by sa mali tiež zohľadniť doby, v ktorých je náradie vypnuté alebo je síce v chode, ale v skutočnosti sa nepoužíva. Toto môže kmitavé namáhanie v priebehu celej pracovnej doby zreteľne redukovať.

Stanovte dodatočné bezpečnostné opatrenia pre ochranu obsluhu pred účinkami vibrácií, ako napríklad: údržba elektrického náradia a vložených nástrojov, udržiavanie teploty rúk, organizácia pracovných postupov.

**VAROVANIE!** Prečítajte si všetky výstražné upozornenia, pokyny, znázornenia a špecifikácie pre toto elektrické náradie. Zanedbanie pri dodržiavaní výstražných upozornení a pokynov uvedených v nasledujúcom texte môže mať za následok zásah elektrickým prúdom, spôsobiť požiar a/alebo ťažké poranenie.

#### INFORMÁCIE O NEBEZPEČENSTVE RUČNEJ MIEŠAČKY

**Nástroj držte oboma rukami za rukoväť na to určené.** V prípade straty kontroly nad nástrojom hrozí nebezpečenstvo zranenia.

**Pri miešaní horľavých materiálov sa postarajte o dostatočné vetranie, aby nevzniklo ovzdušie ohrozené výbuchom.** Vznikajúce výpary by mohli byť vdýchnuté alebo by sa prostredníctvom iskier vyprodukovaných elektrickým náradím mohli vznietiť.

**Nepoužívajte na potraviny.** Toto zariadenie a jeho príslušenstvo nie sú vhodné na spracovanie potravín.

**Nádobu na miešanie zabezpečte v stabilnej polohe.** Nesprávne zabezpečená nádoba sa môže nečakane zošmyknúť.

**Zabezpečte, aby na kryt elektrického náradia nestriekali žiadne kvapaliny.** Kvapaliny, ktoré vniknú do elektrického náradia, môžu spôsobiť škody a viesť k zásahom elektrickým prúdom.

**Riadte sa pokynmi platiacimi pre miešaný materiál a výstražnými upozorneniami.** Materiál, ktorý sa má miešať, by mohol byť škodlivý.

**Rukami nesiahajte do nádoby na miešanie a počas procesu miešania nezavádzajte do nádoby žiadne predmety.** Kontakt s miešadlom môže zapríčiniť ťažké zranenia.

**Náradie spúšťajte a zastavujte vždy iba v nádobe na miešanie.** Miešadlo sa môže nekontrolovateľným spôsobom ohýbať alebo otáčať.

#### ĎALŠIE BEZPEČNOSTNÉ A PRACOVNÉ POKYNY

Použite ochranné vybavenie. Pri práci s elektrickým náradím používajte vždy ochranné okuliare. Doporučujeme taktiež použitie súčasti ochranného odevu a ochrannej obuvi, ako sú protiprašná maska, ochranné rukavice, pevná a neklzajúca obuv, ochranná prilba a ochrana sluchu.

Prach vznikajúci pri práci môže byť škodlivý zdraviu. Pri práci nosiť vhodnú ochrannú masku, aby sa nedostal do ľudského organizmu.

Nesmú sa opracovávať materiály, ktoré môžu spôsobiť ohrozenie zdravia (napr. azbest)

Pri zablokovaní nasadeného nástroja prístroj okamžite vypnite! Prístroj nezapínajte, pokiaľ je nasadený nástroj zablokovaný; mohol by pri tom vzniknúť spätný náraz s vysokým reakčným momentom. Príčinu zablokovania nasadeného nástroja zistíte a odstránite so zohľadnením bezpečnostných pokynov.

Nezasahujte do bežiaceho stroja.

Pred každou prácou na stroji výmenný akumulátor vyťahnuť.

Opotrebované výmenné akumulátory nezahadzujte do ohňa alebo medzi domový odpad. Milwaukee ponúka likvidáciu starých výmenných akumulátorov, ktorá je v súlade s ochranou životného prostredia; informujte sa u Vášho predajcu.

Výmenné akumulátory neskladovať spolu s kovovými predmetmi (nebezpečenstvo skratu).

Výmenné akumulátory systému M18 nabíjať len nabíjacími zariadeniami systému M18. Akumulátory iných systémov týmto zariadením nenabíjať.

Výmenné akumulátory a nabíjacie zariadenia neotvárať a skladovať len v suchých priestoroch. Chrániť pred vlhkosťou.

Pri extrémnych záťažach alebo extrémnych teplotách môže dôjsť k vytekaniu batériovej tekutiny z poškodeného výmenného akumulátora. Ak

dôjde ku kontaktu pokožky s roztokom, postihnuté miesto umyť vodou a mydlom. Ak sa roztok dostane do očí, okamžite ich dôkladne vypláchnuť po dobu min. 10 min a bezodkladne vyhľadať lekára.

**Varovanie!** Aby ste zabránili nebezpečenstvu požiaru spôsobeného skratom, poraneniam alebo poškodeniam výrobku, neponárajte náradie, výmennú batériu alebo nabíjačku do kvapalín a postarajte sa o to, aby do zariadení a akumulátorov nevnikli žiadne tekutiny. Korodujúce alebo vodivé kvapaliny, ako je slaná voda, určité chemikálie a bieliace prostriedky alebo výrobky, ktoré obsahujú bielidlo, môžu spôsobiť skrat.

#### POUŽITIE PODĽA PREDPISOV

Ručná miešacia slúži na miešanie práškovitých stavebných materiálov, ako je maľta, sadra, tmel ako aj na miešanie farieb a lakov bez obsahu rozpúšťadiel a podobných látok.

Tento prístroj sa smie používať len v súlade s uvedenými predpismi.

#### CE - VYHLÁSENIE KONFORMITY

Výhradne na vlastnú zodpovednosť vyhlasujeme, že výrobok popísaný v "Technických údajoch" sa zhoduje so všetkými relevantnými predpismi smernice 2011/65/EU (RoHS), 2014/30/EU, 2006/42/EC a nasledujúcimi harmonizujúcimi normatívnymi dokumentmi:

EN 62841-1:2015  
EN 62841-2-1:2010  
EN 62841-2-10:2016  
EN 55014-1:2006 + A1:2009 + A2:2011  
EN 55014-2:2015  
EN 50581:2012

Winnenden, 2017-08-31

*Alexander Krug*

Alexander Krug  
Managing Director



Splnomocnený zostaviť technické podklady.

Techtronic Industries GmbH  
Max-Eyth-Straße 10  
71364 Winnenden  
Germany

#### AKUMULÁTORY

Dlhší čas nepoužívanie výmenné akumulátory pred použitím dobiť.

Teplota vyššia ako 50°C znižuje výkon výmenného akumulátora. Zabráňte dlhšiemu ohriatiu s inkom alebo kúrením.

Pripájacie kontakty na nabíjacom zariadení a výmennom akumulátore udržiavať čisté.

K zachovávaní optimálnej životnosti se baterie musejí po použití vždy úplne dobiť.

K zabezpečeniu dlhej životnosti by sa akumulátory mali po nabití vybrať z nabíjačky.

Pri skladovaní akumulátora po dobu dlhšiu než 30 dní: Skladujte akumulátor v suchu pri cca 27°C. Skladujte akumulátor pri cca 30%-50% nabíjacej kapacity. Opakujte nabíjanie akumulátora každých 6 mesiacov.

#### OCHRANA PROTI PREŤAŽENIU AKUMULÁTORA

Pri preťažení akumulátora príliš vysokým odberom prúdu, napríklad pri extrémne vysokých točivých momentoch, pri blokovaní vrtáka, náhrom zastavení alebo skrate, začne vrtáčka na 2 sekundy hučať a potom sa samočinne vypne.

K opätovnému zapnutiu uvoľnite spínacie tlačidlo a potom ho opäť zapnite. Pri extrémnom zaťažení sa akumulátor môže silne zahriať. Ak k tomu dôjde, akumulátor sa vypne.

Akumulátor v tomto prípade k dobitiu a aktivácii vložte opäť do nabíjačky.

#### PREPRAVA LÍTOVO-IÓNOVÝCH BATÉRIÍ

Lítovo-iónové batérie podľa zákonných ustanovení spadajú pod prepravu nebezpečného nákladu.

Preprava týchto batérií sa musí realizovať s dodržiavaním lokálnych, vnútroštátnych a medzinárodných predpisov a ustanovení.

- Spotrebiteľia môžu tieto batérie bez problémov prepravovať po cestách.
- Komerčná preprava lítovo-iónových batérií prostredníctvom špeciálnych firiem podlieha ustanoveniam o preprave nebezpečného nákladu. Pripravu k vyexpedovaniu a samotnú prepravu smú vykonávať iba adekvátne vyškolené osoby. Na celý proces sa musí odborné dohliadať.

Pri preprave batérií treba dodržiavať nasledovné:

- Zabezpečte, aby boli kontakty chránené a izolované, aby sa zamedzilo skratom.
- Dávajte pozor na to, aby sa zväzok batérií v rámci balenia nemohol zošmyknúť.
- Poškodené a vytečené batérie sa nesmú prepravovať.

Kvôli ďalším informáciám sa obráťte na vašu špeciálnu firmu.

#### ÚDRZBA

Používať len Milwaukee príslušenstvo a Milwaukee náhradné diely. Súčiastky bez návodu na výmenu treba dať vymeniť v jednom z Milwaukee zákazníckych centier (viď brožúru Záruka/Adresy zákazníckych centier).

V prípade potreby si môžete v servisnom centre pre zákazníkov alebo priamo od firmy Techtronic Industries GmbH, Max-Eyth-Straße 10, 71364 Winnenden, Nemecko, vyžiadať schematický náčrt jednotlivých dielov prístroja pri uvedení typu prístroja a šesťmiestneho čísla na vykonovom štítku.

#### SYMBOLY



POZOR! NEBEZPEČENSTVO!



Pred každou prácou na stroji výmenný akumulátor vyťahnuť.



Pred prvým použitím prístroja si pozorne prečítajte návod na obsluhu.



Elektrické zariadenia, batérie/akumulátory sa nesmú likvidovať spolu s odpadom z domácností. Elektrické zariadenia, batérie/akumulátory treba zbierať oddelene a odovzdať ich v recyklačnom podniku na ekologickú likvidáciu.

Na miestnych úradoch alebo u vášho špecializovaného predajcu sa spýtajte na recyklačné podniky a zberné dvory.



Značka CE



Národný znak zhody Ukrajiny



Euroázijská značka zhody

| SPECYFIKACJA TECHNICZNA                       | MIESZACZ BEZPRZEWODOWY             | M18 FPM |
|---|------------------------------------|---------|
| Numer produkcyjny.....                        | 4589 32 011...<br>...000001-999999 |         |
| Prędkość bez obciążenia.....                  | 0-550 min <sup>-1</sup>            |         |
| Uchwyt narzędzia.....                         | M14                                |         |
| Maks. średnica mieszadła.....                 | 120 mm                             |         |
| Maks. zalecana ilość mieszaniny.....          | 20 l                               |         |
| Napięcie baterii akumulatorowej.....          | 18 V                               |         |
| Ciężar z akumulatorem.....                    | 2,3 kg                             |         |
| Ciężar wg procedury EPTA 01/2003              |                                    |         |
| z akumulatorem wymiennym 1,5 Ah / 2,0 Ah..... | 2,6 kg                             |         |
| z akumulatorem wymiennym 3,0 Ah / 4,0 Ah..... | 3,0 kg                             |         |
| z akumulatorem wymiennym 9,0 Ah.....          | 3,4 kg                             |         |
| Dopuszczalna temperatura otoczenia            |                                    |         |
| w trakcie ładowania.....                      | 0 ... +50 °C                       |         |
| w trakcie pracy i przechowywania.....         | -18 ... +50 °C                     |         |
| Zalecane zestawy akumulatorowe.....           | M18B                               |         |
| Zalecane ładowarki.....                       | M12-18C, M12-18FC, M12-18AC        |         |

### Informacja dotycząca szumów/wibracji

Zmierzone wartości wyznaczone zgodnie z normą EN 62841. Poziom szumów urządzenia oszacowany jako A wynosi typowo: Poziom ciśnienia akustycznego (Niepewność K=3dB(A))..... 70,7 dB (A) Poziom mocy akustycznej (Niepewność K=3dB(A))..... 81,7 dB (A)

### Należy używać ochraniaczy uszu!

Wartości łączne drgań (suma wektorowa trzech kierunków) wyznaczone zgodnie z normą EN 62841.

Wartość emisji drgań a<sub>h</sub>..... 1,2 m/s<sup>2</sup>  
Niepewność K=..... 1,5 m/s<sup>2</sup>

### OSTRZEŻENIE!

Podany w niniejszych instrukcjach poziom drgań został zmierzony za pomocą metody pomiarowej zgodnej z normą EN 62841 i może być użyty do porównania ze sobą elektronarzędzi. Nadaje się on również do tymczasowej oceny obciążenia wibracyjnego.

Podany poziom drgań reprezentuje główne zastosowania elektronarzędzia. Jeśli jednakże elektronarzędzie użyte zostanie do innych celów z innymi narzędziami roboczymi lub nie jest dostatecznie konserwowane, wtedy poziom drgań może wykazywać odchylenia. Może to wyraźnie zwiększyć obciążenie wibracjami przez cały okres pracy.

Dla dokładnego określenia obciążenia wibracjami należy uwzględnić również czasy, w których urządzenie jest wyłączone względnie jest włączone, lecz w rzeczywistości nie pracuje. Może to spowodować wyraźną redukcję obciążenia wibracyjnego w całym okresie pracy.

Należy wprowadzić dodatkowe środki zapobiegawcze celem ochrony obsługującego przed oddziaływaniem drgań, jak na przykład: konserwacja narzędzi roboczych i elektronarzędzi, nagranie rąk, organizacja przebiegu pracy.

**! OSTRZEŻENIE! Należy przeczytać wszystkie wskazówki bezpieczeństwa, instrukcje, opisy i specyfikacje dotyczące tego elektronarzędzia.** Zaniedbania w przestrzeganiu poniższych wskazówek mogą spowodować porażenie prądem, pożar i/lub ciężkie obrażenia ciała.

### ! OSTRZEŻENIA DOTYCZĄCE MIESZACZA

Urządzenie należy trzymać oburącz za przewidziane w tym celu uchwyty. W przypadku utraty kontroli nad urządzeniem istnieje ryzyko obrażeń.

W trakcie mieszania substancji łatwopalnych należy zapewnić odpowiednie przewietrzenie, aby zapobiec powstaniu atmosfery zagrażającej wybuchem. Powstałe opary mogą przedostać się do dróg oddechowych lub zapalić się przez iskry wytwarzane przez elektronarzędzie.

Nie stosować do mieszania artykułów spożywczych. Niniejsze narzędzie oraz jego akcesoria nie są przeznaczone do przetwarzania artykułów spożywczych.

Zbiornik mieszacza należy trzymać w stabilnej pozycji. Nieodpowiednio zabezpieczony zbiornik może nagle się przesuwać.

Zapewnić, aby na obudowę elektronarzędzia nie były przyskane żadne cieczce. Cieczone przedostające się do elektronarzędzia mogą doprowadzić do szkód i porażenia prądem.

Należy przestrzegać wskazówek i ostrzeżeń obowiązujących dla mieszanej substancji. Ich nieprzestrzeganie mogłoby być szkodliwe dla mieszanej substancji.

Nie należy wkładać rąk w zbiornik mieszacza ani umieszczać żadnych przedmiotów w zbiornik w trakcie procesu mieszania. Kontakt z mieszadłem może prowadzić do ciężkich obrażeń.

Urządzenie należy uruchamiać i zatrzymywać wyłącznie w zbiorniku mieszacza. Mieszadło może wygiąć lub przekreślić się w niekontrolowany sposób.

### DODATKOWE WSKAZÓWKI BEZPIECZEŃSTWA I INSTRUKCJE ROBOCZE

Stosować wyposażenie ochronne. Przy pracy maszyną zawsze nosić okulary ochronne. Zalecana jest odzież ochronna, jak maska pyłochronna, rękawice ochronne, mocne i chroniące przed poślizgiem obuwie, kask i ochronniki słuchu.

przewodzące cieczce, takie jak woda morską, określone chemikalia i wybielacze lub produkty zawierające wybielacze.

### WARUNKI UŻYTKOWANIA

Mieszacz służy do mieszania materiałów budowlanych w postaci proszku, takich jak zaprawa murarska, gips, materiały wiążące oraz farby niezawierające rozpuszczalników, lakiery i tym podobne substancje.

Produkt można użytkować wyłącznie zgodnie z jego normalnym przeznaczeniem.

### DEKLARACJA ZGODNOŚCI CE

Oświadczamy na naszą wyłączną odpowiedzialność, że produkt opisany w punkcie "Dane techniczne" jest zgodny ze wszystkimi istotnymi przepisami Dyrektywy 2011/65/EU (RoHS), 2014/30/EU, 2006/42/WE oraz z następującymi zharmonizowanymi dokumentami normalnymi:

EN 62841-1:2015  
EN 62841-2-1:2010  
EN 62841-2-10:2016  
EN 55014-1:2006 + A1:2009 + A2:2011  
EN 55014-2:2015  
EN 50581:2012

Winnenden, 2017-08-31

*Alexander Krug*

Alexander Krug  
Managing Director



Upelnomocniony do zestawienia danych technicznych

Techntron Industries GmbH  
Max-Eyth-Straße 10  
71364 Winnenden  
Germany

### BATERIE AKUMULATOROWE

Akumulatory, które nie były przez dłuższy czas użytkowane, należy przed użyciem naładować.

W temperaturze powyżej 50°C następuje spadek osiągniętych wkładki akumulatorowej. Unikaj długotrwałego wystawienia na oddziaływanie ciepła lub promieni słonecznych (niebezpieczeństwo przegrzania).

Styki ładowarek i wkładek akumulatorowych należy utrzymywać w czystości

W celu zagwarantowania optymalnej żywotności należy po zakończonej eksploatacji naładować akumulatory do pełna.

Dla zapewnienia możliwie długiej żywotności akumulatory należy wyjąć z ładowarki po ich naładowaniu.

W przypadku składowania akumulatorów dłużej aniżeli 30 dni: Przechowywać je w suchym miejscu w temperaturze ok. 27°C. Przechowywać je w stanie naładowanym do ok. 30% - 50%. Ładować je ponownie co 6 miesięcy.

### AZ AKKUMULÁTOR ÚTLERHELÉS ELLEN VÉDELME

Przy przeciążeniu akumulatora bardzo dużym prądem na przykład wskutek ekstremalnie dużych momentów obrotowych, zakleszczenia wiertła, nagłego zatrzymania się lub zwarcia narzędzie elektryczne "buczy" przez 2 sekundy i samoczynnie wyłącza się. W celu ponownego włączenie należy zwolnić, a następnie ponownie włączyć przycisk wyłącznika. Pod ekstremalnymi obciążeniami może dojść do silnego nagrzania się akumulatora. W takim wypadku akumulator wyłącza się. Wówczas należy wetknąć akumulator do ładowarki, aby go ponownie naładować i aktywować.

### TRANSPORT AKUMULATORÓW LITOWO-JONOWYCH

Akumulatory litowo-jonowe podlegają ustawowym przepisom dotyczącym transportu towarów niebezpiecznych.

Transport tych akumulatorów winien odbywać się przy przestrzeganiu lokalnych, krajowych i międzynarodowych rozporządzeń i przepisów.

- Odbiorcom nie wolno transportować tych akumulatorów po drogach ot tak po prostu.
- Komercyjny transport akumulatorów litowo-jonowych przez przedsiębiorstwa spedycyjne podlega przepisom dotyczącym transportu towarów niebezpiecznych. Przygotowania do wysyłki oraz transport mogą być wykonywane wyłącznie przez odpowiednio przeszkolone osoby. Cały proces winien odbywać się pod fachowym nadzorem.

W czasie transportu akumulatorów należy przestrzegać następujących punktów:

- Celem uniknięcia zwarcia należy upewnić się, że zestyki są zabezpieczone i zaizolowane.
- Zwracać uwagę na to, aby zespół akumulatorów nie mógł się przemieszczać we wnętrzu opakowania.
- Nie wolno transportować akumulatorów uszkodzonych lub z wyciekającym z elektrolitem.

Odniesienie dalszych wskazań należy zwrócić się do swojego przedsiębiorstwa spedycyjnego.

### UTRZYMANIE I KONSERWACJA

Używać tylko i wyłącznie wyposażenia dodatkowego Milwaukee i części zamiennych Milwaukee. Gdyby trzeba było wymienić części, które nie zostały opisane, należy skontaktować się z przedstawicielem serwisu Milwaukee (patrz wykaz adresów punktów usługowych/gwarancyjnych).

W razie potrzeby można zamówić rysunek urządzenia w rozłożeniu na części podając typ maszyny oraz sześciorzeczny numer na tabliczce znamionowej w Punkcie Obsługi Klienta lub bezpośrednio w firmie Techntron Industries GmbH, Max-Eyth-Straße 10, 71364 Winnenden, Germany.

### SSYMBOL



UWAGA! OSTRZEŻENIE NIEBEZPIECZEŃSTWO!



Przed przystąpieniem do jakichkolwiek prac na elektronarzędziu należy wyjąć wkładkę akumulatorową.



Przed uruchomieniem elektronarzędzia zapoznać się uważnie z treścią instrukcji.



Urządzenia elektryczne, baterie/akumulatory nie mogą być usuwane razem z odpadami pochodzącymi z gospodarstwa domowych. Urządzenia elektryczne i akumulatory należy gromadzić oddzielnie i w celu usuwania ich do odpadów zgodnie z wymaganiami środowiska naturalnego oddawać do przedsiębiorstwa utylizacyjnego. Proszę zasięgnąć informacji o centrach recyklingowych i punktach zbiorczych u władz lokalnych lub u wyspecjalizowanego dostawcy.



Znak CE



Krajowy znak zgodności Ukraina



Znak zgodności EurAsian

| TECHNIKAI ADATAI                         | DRÓTNÉLKÜLI KÉZI KEVERŐ BERENDEZÉS | M18 FPM            |
|--|------------------------------------|--------------------|
| Gyártási szám.....                       | .....4589 32 01...                 | .....000001-999999 |
| Üresjárat fordulatszám.....              | .....0-550 min <sup>-1</sup>       | .....M14           |
| A szerszám behelyezése.....              | .....120 mm                        | .....20 I          |
| Keverő maximális átmérője.....           | .....20 I                          | .....18 V          |
| Ajánlott maximális keverésmennyiség..... | .....2,3 kg                        | .....              |
| Akkumulátor feszültség.....              | .....                              | .....              |
| Súly akkuval.....                        | .....                              | .....              |
| Súly a 01/2003 EPTA-eljárás szerint      | .....                              | .....              |
| 1,5 Ah / 2,0 Ah csereakkuval.....        | .....2,6 kg                        | .....              |
| 3,0 Ah / 4,0 Ah csereakkuval.....        | .....3,0 kg                        | .....              |
| 9,0 Ah csereakkuval.....                 | .....3,4 kg                        | .....              |
| Megengedett környezeti hőmérséklet       | .....                              | .....              |
| töltéskor.....                           | .....0 ... +50 °C                  | .....              |
| üzemeléskor és tároláskor.....           | .....-18 ... +50 °C                | .....              |
| Ajánlott akkucsomagok.....               | .....M18B                          | .....              |
| Ajánlott töltőkészülékek.....            | .....M12-18C, M12-18FC, M12-18AC   | .....              |

### Zaj-Vibráció-információ

A közölt értékek megfelelnek az EN 62841 szabványnak.

A készülék munkahelyi zajszintje tipikusan:

Hangnyomás szint (K bizonytalanság=3dB(A))..... 70,7 dB (A)

Hangteljesítmény szint (K bizonytalanság=3dB(A))..... 81,7 dB (A)

### Hallásvédő eszköz használata ajánlott!

Összesített rezgésértékek (három irány vektoriális összege) az EN 62841.-nek megfelelően meghatározva.

ah rezgésemisszió érték..... 1,2 m/s<sup>2</sup>

K bizonytalanság..... 1,5 m/s<sup>2</sup>

### FIGYELMEZTETÉS!

A jelen utasításokban megadott rezgésszint értéke az EN 62841-ben szabályozott mérési eljárásnak megfelelően került lemérésre, és használható elektromos szerszámokkal történő összehasonlításhoz. Az érték alkalmas a rezgésterhelés előzetes megbecslésére is.

A megadott rezgésszint-érték az elektromos szerszám legfőbb alkalmazásait reprezentálja. Ha az elektromos szerszámot azonban más alkalmazásokhoz, eltérő használt szerszámokkal vagy nem elegendő karbantartással használják, a rezgésszint értéke eltérő lehet. Ez jelentősen megnövelheti a rezgésterhelést a munkavégzés teljes időtartama alatt.

A rezgésterhelés pontos megbecsléséhez azokat az időket is figyelembe kell venni, melyekben a készülék lekapcsolódik, vagy ugyan működik, azonban ténylegesen nincs használatban. Ez jelentősen csökkentheti a rezgésterhelést a munkavégzés teljes időtartama alatt.

Határozzon meg további biztonsági intézkedéseket a kezelő védelmére a rezgések hatása ellen, például: az elektromos és a használt szerszámok karbantartásával, a kezek melegen tartásával, a munkafolyamatok megszervezésével.

**▲ FIGYELMEZTETÉS!** Olvassa el az elektromos kéziszerszámra vonatkozó összes biztonsági útmutatást, utasítást, ábrát és specifikációt. A következőkben leírt utasítások betartásának elmulasztása áramütésekhez, tűzhöz és/vagy súlyos testi sérülésekhez vezethet.

### ▲ FIGYELMEZTETÉSEK KÉZI KEVERŐ ESZKÖZ

**Az eszközt mindkét kézzel, a megfelelő fogatúnál tartsuk.**

Kézből kicsúsztatva az eszköz sérülést okozhat.

**Éghető anyagok keverése esetén biztosítson megfelelő szellőzést, hogy ezzel megelőzze robbanásveszélyes atmoszféra kialakulását.** Fenn áll a veszélye, hogy a keletkező gőzöket belélegzi, illetve, hogy azt az elektromos gépben keletkező szikra azokat begyújtja.

**Élelmiszer esetén nem használható.** Ez az eszköz és tartozékai élelmiszer feldolgozására nem alkalmas.

**A keverőtartályt egy stabil pozícióban biztosítsa.** Egy nem megfelelően biztosított tartály hirtelen megcsúszhat.

**Gátolja meg, hogy az elektromos eszköz házába víz érhesse.** Az elektromos eszköz házába befolyó folyadék megrongálódáshoz és áramütéshez vezethet.

**Vegye figyelembe a keverési anyagra vonatkozó utasításokat és figyelmeztetéseket.** A keverendő anyag káros lehet.

**Kézzel ne nyúljon a keverőtartályba, és a keverés ideje alatt ne tegyen tárgyakat a tartályba.** A kontaktus a keverővel súlyos sérülésekhez vezethet.

**A készüléket csak keverőtartállyal szabad indítani és leállítani.** A keverő ellenőrizhetetlenül elhajolhat, ill. elfordulhat.

### TOVÁBBI BIZTONSÁGI ÉS MUNKAVÉZSÉSI UTASÍTÁSOK

Használjon védőfelszerelést! Ha a gépen dolgozik, mindig hordjon védőszemüveget! Javasoljuk a védőruházat, úgymint porvédő maszk, védőcipő, erős és csúszásbiztos lábbeli, sisak és hallásvédő használatát.

A munka során keletkező por gyakran egészségére káros, ezért ne kerüljön a szervezetbe

Hordjon e célra alkalmas porvédőmaszkot.

Nem szabad olyan anyagokat megmunkálni, amelyek egészségre veszélyesek (pl. azbesztet).

A betétszerszám elakadásakor azonnal ki kell kapcsolni a készüléket! Addig ne kapcsolja vissza a készüléket, amíg a betétszerszám elakadása fennáll; ennek során nagy ellennyomatékú visszarúgás történhet. Határozza és szüntesse meg a betétszerszám elakadásának okát a biztonsági útmutatások betartása mellett.

Ne nyúljon a járó géphe.

Karbantartás, javítás, tisztítás, stb. előtt az akkumulátort ki kell venni a készülékből.

A használt akkumulátort ne dobja tűzbe vagy a háztartási szemétkébe. Tájékozódjon a szakszerű megsemmisítés helyi lehetőségeiről.

Az akkumulátort ne tárolja együtt fém tárgyakkal. (Rövidzárlat veszélye).

Az M18 elnevezésű rendszerhez tartozó akkumulátorokat kizárólag a rendszerhez tartozó töltővel töltsse fel. Ne használjon más rendszerbe tartozó töltőt.

Az akkumulátort, töltőt nem szabad megbontani és kizárólag száraz helyen szabad tárolni. Nedvességtől óvni kell.

Akkumulátor sav folyhat a sérült akkumulátorból extrém terhelés alatt, vagy extrém hő miatt. Ha az akkumulátor sav a bőrére kerül azonnal mossa meg

szappanos vízzel. Szembe kerülés esetén folyóvíz alatt tartsa a szemét minimum 10 percig és azonnal forduljon orvoshoz.

**Figyelmeztetés!** A rövidzárlat általi tűz, sérülések vagy termékkárosodások veszélye elkerülésére ne merítse a szerszámot, a cserélhető akkut vagy a töltőkészüléket folyadékokba, és gondoskodjon arról, hogy ne hatoljanak folyadékok a készülékekbe és az akkukba. A korrozív hatású vagy vezetőképes folyadékok, mint pl. a sós víz, bizonyos vegyi anyagok, fehérítők vagy fehérítő tartalmú termékek, rövidzárlatot okozhatnak.

### RENDELTESSZERŰ HASZNÁLAT

A keverő por alakú építőanyagok keverésére szolgál, mint habarcs, gipsz, kötőanyag, valamint hígított nem tartalmazó festékek, lakkok és hasonló anyagok.

A készüléket kizárólag az alábbiakban leírtaknak megfelelően szabad használni.

### CE-AZONOSSÁGI NYILATKOZAT

Egyedüli felelősséggel kijelentjük, hogy a "Műszaki Adatok" alatt leírt termék a 2011/65/EU (RoHS), 2014/30/EU, 2006/42/EK irányelvek minden releváns előírásának, ill. az alábbi harmonizált normatív dokumentumoknak megfelel:

EN 62841-1:2015

EN 62841-2-1:2010

EN 62841-2-10:2016

EN 55014-1:2006 + A1:2009 + A2:2011

EN 55014-2:2015

EN 50581:2012

Winnenden, 2017-08-31

Alexander Krug  
Managing Director

Műszaki dokumentáció összeállításra felhatalmazva

Techtronic Industries GmbH

Max-Eyth-Straße 10

71364 Winnenden

Germany

### AKKUK

A hosszabb ideig üzemben kívül lévő akkumulátort használat előtt ismétellen fel kell tölteni.

50°C feletti hőmérsékletnél csökkenhet az akkumulátor teljesítménye. Kerülni kell a túlzottan meleg helyen vagy napon történő hosszabb idejű tárolást.

A töltő és az akkumulátor csatlakozóit mindig tisztán kell tartani.

Az optimális élettartam érdekében használat után az akkukat teljesen fel kell tölteni.

A lehetőleg hosszú élettartamhoz az akkukat feltöltés után ki kell venni a töltőkészülekből.

Az akku 30 napot meghaladó tárolása esetén:

Az akkut kb. 27 °C-on, száraz helyen kell tárolni.

Az akkut kb. 30-50%-os töltöttségi állapotban kell tárolni.

Az akkut 6 havonta újra fel kell tölteni.

### AZ AKKUMULÁTOR TÚLTERHELÉS ELLENI VÉDELME

Az akku túl magas áramfogyasztás miatti, pl. túl nagy forgatónyomatékok, a fűrő megszorulása, hirtelen leállás következtében fellépő túlterhelése esetén az elektromos szerszám 2 másodpercig zúg, és önműködően lekapcsol.

Az újbóli bekapcsoláshoz el kell engedni a kapcsolóbillejtűt, majd ismét be kell kapcsolni.

Extrém mértékű terhelés esetén az akku erősen felforrósodhat. Ebben az esetben az akku lekapcsol.

Az ismételt feltöltéshez és aktiváláshoz ekkor dugja az akkut a töltőkészülékbe.

### LÍTIUM-ION AKKUK SZÁLLÍTÁSA

A lítium-ion akkuk a veszélyes áruk szállítására vonatkozó törvényi rendelkezések hatálya alá tartoznak.

Az ilyen akkuk szállításának a helyi, országos és nemzetközi előírások és rendelkezések betartása mellett kell történnie.

- A fogyasztók minden további nélkül szállíthatják az ilyen akkukat közúton.

- A lítium-ion akkuk szállítmányozási vállalatok általi kereskedelmi célú szállítására a veszélyes áruk szállítására vonatkozó rendelkezések érvényesek. A kiszállítás előkészítését és a szállítást kizárólag megfelelő képzettségű személyek végezhetik. A teljes folyamatnak szakmai felügyelet alatt kell történnie.

A következő pontokat kell figyelembe venni akkuk szállításakor:

- Biztosítsa, hogy a rövidzárlatok elkerülése érdekében az érintkezők védve és szigetelve legyenek.
- Ügyeljen arra, hogy az akkucsomag ne tudjon elcsúszni a csomagoláson belül.
- Tilos sérült vagy kifolyt akkukat szállítani.

További útmutatásokért forduljon szállítmányozási vállalatához.

### KARBANTARTÁS

Csak Milwaukee tartozékokat és Milwaukee pótalkatrészeket szabad használni. Az olyan elemeket, melyek cseréje nincs ismertetve, cseréltesse ki Milwaukee szervizzel (lásd Garancia/Ügyfélszolgálat címei kiadványt).

Igény esetén a készülékről robbantott rajz kérhető a géptípus és a teljesítménycímként található hatjegyű szám megadásával az Ön vendégszolgálatánál, vagy közvetlenül a Techtronic Industries GmbH-től a Max-Eyth-Straße 10, 71364 Winnenden, Németország címen.

### SZÍMBÖLUMOK



FIGYELEM! FIGYELMEZTETÉS! VESZÉLY!



Karbantartás, javítás, tisztítás, stb. előtt az akkumulátort ki kell venni a készülékből.



Kérjük alaposan olvassa el a tájékoztatót mielőtt a gépet használja.



Az elektromos eszközöket, elemeket/akkukat nem szabad a háztartási hulladékkal együtt ártalmatlanítani.

Az elektromos eszközöket és akkukat szelektíven kell gyűjteni, és azokat környezetbarát ártalmatlanítás céljából hulladékhasznosító üzemben kell leadni.

A helyi hatóságoknál vagy szakkereskedőjénél tájékozódjon a hulladékudvarokról és gyűjtőhelyekről.



CE-jelölés



Ukrán nemzeti megfelelőségi jelölés



Eurázsiai megfelelőségi jelzés.



| TEHNIČNI PODATKI                                 | BREZZIČNA MEŠALNA NAPRAVA   | M18 FPM          |
|--|-----------------------------|------------------|
| Proizvodna številka.....                         | 4589 32 01...               | ...000001-999999 |
| Število vrtljajev v prostem teku.....            | 0-550 min <sup>-1</sup>     |                  |
| Sprejem orodja.....                              | M14                         |                  |
| Maks. premer mešalca.....                        | 120 mm                      |                  |
| Maks. priporočena mešalna količina.....          | 20 l                        |                  |
| Napetost izmenljivega akumulatorja.....          | 18 V                        |                  |
| Teža z akumulatorjem.....                        | 2,3 kg                      |                  |
| Teža po EPTA-proceduri 01/2003                   |                             |                  |
| z izmenljivim akumulatorjem 1,5 Ah / 2,0 Ah..... | 2,6 kg                      |                  |
| z izmenljivim akumulatorjem 3,0 Ah / 4,0 Ah..... | 3,0 kg                      |                  |
| z izmenljivim akumulatorjem 9,0 Ah.....          | 3,4 kg                      |                  |
| Dovoljena temperatura okolice                    |                             |                  |
| pri polnjenju.....                               | 0 ... +50 °C                |                  |
| pri uporabi in skladiščenju.....                 | -18 ... +50 °C              |                  |
| Priporočeni kompleti akumulatorjev.....          | M18B                        |                  |
| Priporočeni polnilniki.....                      | M12-18C, M12-18FC, M12-18AC |                  |

#### Informacije o hrupnosti/vibracijah

Vrednosti merjenja ugotovljene ustrezno z EN 62841.

Raven hrupnosti naprave ovrednotena z A, znaša tipično:

Nivo zvočnega tlaka (Nevarnost K=3dB(A))..... 70,7 dB (A)

Višina zvočnega tlaka (Nevarnost K=3dB(A))..... 81,7 dB (A)

#### Nosite zaščito za sluh!

Skupna vibracijska vrednost (Vektorska vsota treh smeri) določena ustrezno EN 62841.

Vibracijska vrednost emisij a<sub>w</sub>..... 1,2 m/s<sup>2</sup>

Nevarnost K=..... 1,5 m/s<sup>2</sup>

#### OPOZORILO!

V teh navodilih navedena raven tresljajev je bila izmerjena po EN60745 normiranim merilnim postopku in lahko služi medsebojni primerjavi električnih orodij. Prav tako je primeren za predhodno oceno obremenitve s tresljaji.

Navedena raven tresljajev navaja najpomembnejše vrste rabe električnega orodja. Kadar se električno orodje uporablja za drugačne namene, z odstopajočimi orodji ali pa z nezadostnim vzdrževanjem, lahko raven tresljajev tudi odstopa. Le to lahko čez celoten delovni čas znatno zviša obremenitev s tresenjem.

Za natančno oceno obremenitve s tresljaji naj bi se upošteval tudi čas v katerem je naprava izklopljena ali sicer teče, vendar dejansko ni v rabi. Le to lahko obremenitev s tresljaji čez celoten delovni čas znatno zmanjša.

Za zaščito upravljalca pred učinkom tresljajev uvedite dodatne zaščitne ukrepe npr.: Vzdrževanje električnega orodja in orodja, delo s toplimi rokami, organizacija delovnih potekov.

**⚠ OPOZORILO! Preberite vsa varnostna opozorila in navodila, prikaze in specifikacije tega električnega orodja.** Zakasnelo upoštevanje sledečih navodil lahko povzroči električni udar, požar in/ali težke poškodbe.

#### ⚠ VARNOSTNA OPOZORILO ROČNA MEŠALNA NAPRAVA

**Napravo držite z obema rokama za temu namenu predvidene ročaje.** Pri izgubi nadzora nad orodjem preti nevarnost poškodb.

**Pri mešanju vnetljivih materialov poskrbite za zadostno prezračitev, da ne nastane eksplozijsko ogrožena atmosfera.** Nastajajoči hlapi se lahko vdihavajo ali se s strani električnega orodja povzročene iskre vnamejo.

**Ne uporabljajte za živila.** To orodje in njegov pribor nista primerna za obdelavo živil.

**Mešalno posodo zavarujte v stabilnem položaju.** Nepravilno zavarovana posoda lahko nenadoma zdrsne.

**Zagotovite, da proti ohišju električnega orodja ne brizgajo nobene tekočine.** V električno orodjevstopajoče tekočine lahko povzročijo poškodbe in privedejo do električnega udara.

**Upošteвайте za mešalni material veljavna navodila in opozorila.** Mešan material je lahko škodljiv.

**Z rokami ne segajte v mešalno posodo in med postopkom mešanja ne dovajajte v posodo nobenih predmetov.** Stik z mešalom lahko povzroči težke poškodbe.

**<napravo zaganjajte in ustavljajte zgolj v mešalni posodi.** Mešalo se lahko na nenadzorovan način ukloni ali zavrti.

#### NADALJNA VARNOSTNA IN DELOVNA OPOZORILO

Uporabite zaščitno opremo. Pri delu s strojem vedno nosite zaščitna očala. Priporočajo se zaščitna oblačila, kot npr. maska za zaščito proti prahu, zaščitne rokavice, trdno in neдрseče obuvalo, čelada in zaščita za sluh.

Prah, ki nastaja pri delu, je pogosto zdravju škodljiv in naj ne zaide v telo. Nosite ustrezno masko proti prahu.

Obdelava materialov, iz katerih izhaja ogroženost zdravja (npr. azbest), ni dovoljena.

V primeru blokade orodja napravo takoj izklopite! Naprave ponovno ne vklaplajte dokler je orodje blokirano; pri tem bi lahko prišlo do povratnega udara z velikim reakcijskim momentom. Ugotovite in odpravite vzroke blokade orodja ob upoštevanju varnostnih navodil.

Ne segajte v stroj v teku.

Pred vsemi deli na stroji odstranite izmenljivi akumulator.

Izrbljenih izmenljivih akumulatorjev ne mečite v ogenj ali v gospodinjске odpadke. Milwaukee nudi okolju prijazno odlaganje starih izmenljivih akumulatorjev; prosimo povprašajte vašega strokovnega trgovca.

Izmenljivih akumulatorjev ne hranite skupaj s kovinskimi predmeti (nevarnost kratkega stika).

Izmenljive akumulatorje sistema v polnite samo s polnilnimi aparati sistema M18. Ne polnite nobenih akumulatorjev iz drugih sistemov.

Izmenljivih akumulatorjev in polnilnih aparatov ne odpirajte in jih hranite samo v suhih prostorih. Zaščitite jih pred mokroto.

Pod ekstremno obremenitvijo ali ob ekstremni temperaturi iz poškodovanega izmenljivega akumulatorja lahko izteka akumulatorska tekočina. Po stiku z akumulatorsko tekočino prizadeto mesto takoj

izperite z vodo in milom. Po stiku z očmi takoj najmanj 10 minut dolgo temeljito izpirajte in nemudoma obiščite zdravnika.

**Opozorilo!** V izogib, s kratkim stikom povzročene nevarnosti požara, poškodb ali okvar na proizvodu, orodja, izmenljivega akumulatorja ali polnilne naprave ne potaplajte v tekočine in poskrbite, da ne bo prihajalo do vdora tekočin v naprave in akumulatorje. Korozivne ali prevodne tekočine, kot so slana voda, določene kemikalije in belila ali proizvodi, ki le ta vsebujejo, lahko povzročijo kratek stik.

#### UPORABA V SKLADU Z NAMEDBOSTJO

Ročna mešalna naprava služi mešanju gradbenih materialov v prašni obliki, kot so malta, mavec, veziva, kakor tudi razredčil proste barve, laki in podobne snovi.

Ta naprava se sme uporabiti samo v skladu z namedbnostjo uporabiti samo za navede namene.

#### CE-IZJAVA O KONFORMNOSTI

V lastni odgovornosti izjavljamo, da se pod "Tehnični podatki" opisan proizvod ujema z vsemi relevantnimi predpisi smernice 2011/65/EU (RoHS), 2014/30/EU, 2006/42/ES in s sledečimi harmoniziranimi normativnimi dokumenti:

EN 62841-1:2015  
EN 62841-2-1:2010  
EN 62841-2-10:2016  
EN 55014-1:2006 + A1:2009 + A2:2011  
EN 55014-2:2015  
EN 50581:2012

Winnenden, 2017-08-31

*Alexander Krug*

Alexander Krug

Managing Director



Pooblaščen za izdelavo spisov tehnične dokumentacije.

Techtronic Industries GmbH  
Max-Eyth-Straße 10  
71364 Winnenden  
Germany

#### AKUMULATORJI

Izmenljive akumulatorje, ki jih daljši čas niste uporabljali, pred uporabo naknadno napolnite.

Temperatura nad 50°C zmanjšuje zmogljivost izmenljivega akumulatorja. Izogibajte se daljšemu segrevanju zaradi sončnih žarkov ali gretja.

Pazite, da ostanejo priključni kontakti na polnilnem aparatu in izmenljivem akumulatorju čisti.

Za optimalno življenjsko dobo je akumulatorje potrebno po uporabi napolniti do konca.

Za čim daljšo življenjsko dobo naj se akumulatorji po napolnitvi vzamejo ven iz naprave za polnjenje.

Pri skladiščenju akumulatorjev daj kot 30 dni: Akumulator skladiščiti pri 27°C in na suhem. Akumulator skladiščiti pri 30%-50% stanja polnjenja. Akumulator spet napolniti vsakih 6 mesecev.

#### ZAŠČITA PREOBREMITVE AKUMULATORJA

V primeru preobremenitve akumulatorjev zaradi zelo visoke porabe toka, npr. ekstremno visokih vrtilnih momentov, zatika svedra, nenadne zaustavitve ali kratkega stika, električno orodje 2 sekundi brni in se samodejno izklopi.

Za ponoven vklop izpusite tipko stikala in nato znova vklopite. Pod ekstremnimi obremenitvami se lahko akumulator močno segreje. V tem primeru se akumulator izklopi. Za ponovno polnitev in aktiviranje akumulatorja ga je potrebno vstaviti v polnilec.

#### TRANSPORT LITIJ-IONSKIH AKUMULATORJEV

Litij-ionski akumulatorji so potrjeni zakonskim določbam transporta nevarnih snovi.

Transport teh akumulatorjev se mora izvajati upoštevajoč lokalne, nacionalne in mednarodne predpise in določbe.

- Potrošniki lahko te akumulatorje še nadalje transportirajo po cesti.
- Komerčni transport litij-ionskih akumulatorjev s strani špediterskih podjetij je potrjen določbam transporta nevarnih snovi. Priprava odpreme in transporta se lahko vrši izključno s strani ustrezno izšolanih oseb. Celoten proces je potrebno strokovno spremljati.

Pri transportu akumulatorjev je potrebno upoštevati sledeče točke:

- V izogib kratkim stikom zagotovite, da bodo kontakti zaščiteni in izolirani.
- Bodite pozorni na to, da paket akumulatorja v notranosti embalaže ne bo mogel zdrsniti.
- Poškodovanih ali iztekajočih akumulatorjev ni dovoljeno transportirati.

Za nadaljnja navodila se obrnite na vaše špeditersko podjetje.

#### VZDRŽEVANJE

Uporabljajte samo Milwaukee pribor in Milwaukee nadomestne dele. Poskrbite, da sestavne dele, katerih zamenjava ni opisana, zamenjajo v Milwaukee servisni službi (upoštevajte brošuro Garancija/Naslovi servisnih služb).

Po potrebi je mogoče pri vašem servisnem mestu ali neposredno pri Techtronic Industries GmbH, Max-Eyth-Straße 10, 71364 Winnenden, Germany, naročiti eksplozijsko risbo naprave ob navedbi tipa stroja in na tablici navedene šestmestne številke.

#### SIMBOLI



POZOR! OPOZORILO! NEVARNO!



Pred vsemi deli na stroji odstranite izmenljivi akumulator.



Prosimo, da pred uporabo pozorno preberete to navodilo za uporabo.



Električnih naprav, baterij/akumulatorjev ni dovoljeno odstranjevati skupaj z gospodinjскими odpadki. Električne naprave in akumulatorje je potrebno zbirati ločeno in za okolju prijazno odstranitev, oddati podjetju za reciklažo. Pri krajevem uradu ali vašem strokovnem prodajalcu se pozanimajte glede reciklažnih dvorišč in zbirnih mest.



CE-znak



Nacionalna oznaka skladnosti Ukrajina



EurAsian oznaka o skladnosti.

| TEHNIČKI PODATCI                                 | RUČNA MJEŠALICA BEZ KABLA         | M18 FPM |
|--|-----------------------------------|---------|
| Broj proizvodnje.....                            | 4589 32 01...<br>...000001-999999 |         |
| Broj okretaja praznog hoda .....                 | 0-550 min <sup>-1</sup>           |         |
| Primanje alata.....                              | M14                               |         |
| Max. promjer mješaća .....                       | 120 mm                            |         |
| Max. Preporučena količina miješanja.....         | 20 l                              |         |
| Napon baterije za zamjenu.....                   | 18 V                              |         |
| Težina sa baterijom.....                         | 2,3 kg                            |         |
| Težina po EPTA-proceduri 01/2003                 |                                   |         |
| sa izmjenjivim akumulatorom 1,5 Ah / 2,0 Ah..... | 2,6 kg                            |         |
| sa izmjenjivim akumulatorom 3,0 Ah / 4,0 Ah..... | 3,0 kg                            |         |
| sa izmjenjivim akumulatorom 9,0 Ah.....          | 3,4 kg                            |         |
| Dozvoljena temperatura okoliša                   |                                   |         |
| prilikom punjenja .....                          | 0 ... +50 °C                      |         |
| prilikom pogona i skladištenja .....             | -18 ... +50 °C                    |         |
| Preporučeni akumulatorski paket.....             | M18B                              |         |
| Preporučeni punjači.....                         | M12-18C, M12-18FC, M12-18AC       |         |

## Informacije o buci/vibracijama

Mjerne vrijednosti utvrđene odgovarajuće EN 62841.

A-ocijenjeni nivo buke aparata iznosi tipično:

Nivo pritiska zvuka (Nesigurnost K=3dB(A))..... 70,7 dB (A)

Nivo učinka zvuka (Nesigurnost K=3dB(A))..... 81,7 dB (A)

## Nositi zaštitu sluha!

Ukupne vrijednosti vibracije (Vektor suma tri smjera) su odmerjene odgovarajuće EN 62841.

Vrijednost emisije vibracije a<sub>w</sub>..... 1,2 m/s<sup>2</sup>

Nesigurnost K=..... 1,5 m/s<sup>2</sup>

## UPOZORENIE!

Ova u ovim uputama navedena razina titranja je bila izmjerena odgovarajuće jednom u EN 62841 normiranom mjernom postupku i može se upotrijebiti za usporedbu električnog alata međusobno. Ona je prikladna i za privremenu procjenu titrajnog opterećenja.

Navedena razina titranja reprezentira glavne primjene električnog alata. Ukoliko se električni alat upotrebljava u druge svrhe sa odstupajućim primijenjenim alatima ili nedovoljnim održavanjem, onda razina titranja može odstupati. To može titrajno opterećenje kroz cijeli period rada bitno povisiti.

Za točnu procjenu titrajnog opterećenja se moraju uzeti u obzir i vremena u kojima je uređaj isključen ili u kojima doduše radi, ali nije i stvarno u upotrebi. To može titrajno opterećenje bitno smanjiti za vrijeme cijelog radnog perioda.

Utvrđite dodatne sigurnosne mjere za zaštitu poslužioca protiv djelovanja titranja kao npr.: Održavanje električnih alata i upotrebljenih alata, održavanje topline ruku, organizacija i radne postupke.

**⚠ UPOZORENIE! Treba pročitati sve napomene o sigurnosti, upute, prikaze i specifikacije za ovaj električni alat.** Propusti kod pridržavanja sljedećih uputa može uzrokovati strujni udar, požar i/ili teške ozljede.

## ⚠ UPUTE UPOZORENJA ZA RUČNU MJEŠALICU

**Uređaj držati s obje ruke na za to predviđenim drškama.** Kod gubitka kontrole nad alatom prijeti opasnost od ozljeđivanja.

**Kod miješanja zapaljivih materijala pobrinuti se za dovozljo provjetranje kako ne bi nastala eksplozivna atmosfera.** Nastale pare se mogu udasiti ili zapaliti se kroz iskre nastale od strane električnog alata.

**Ne koristiti za živežne namirnice.** Ovaj alat i njegov pribor nisu prikladni za preradu živežnih namirnica.

**Posudu za miješanje osigurani na jednoj stabilnoj poziciji.** Jedna nedovoljno osigurana posuda se može nenadano pomjeriti.

**Uvjertiti se da na kućište električnog alata ne štrcaju nikakve tekućine.** Tekućina koja prodre u električni alat može uzrokovati oštećenje i dovesti do strujnog udara.

**Upute koje valjaju za materijal miješanja i upute upozorenja se moraju poštivati.** Materijal koji se miješa može biti štetan.

**Rukama ne sezati u posudu za miješanje i za vrijeme postupka miješanja u posudu ne uvoditi nikakve predmete.** Kontakt s miješaćkim mehanizmom može uzrokovati teške ozljede.

**Uređaj startati i zaustavljati samo u posudi za miješanj.** Miješaćki mehanizam se može na nekontrolirani način saviti ili okrenuti.

## OSTALE SIGURNOSNE I RADNE UPUTE

Upotrebljavati zaštitnu opremu. Kod radova sa strojem uvijek nositi zaštitne naočale. Preporučuje se zaštitna odjeća, kao zaštitna maska protiv prašine, zaštitne rukavice, čvrste i protiv klizanja sigurne cipele, šljem i zaštitu sluha.

Prašina koja nastaje prilikom rada je često nezdrava i ne bi smijela dospjeti u tijelo. Nositi prikladnu zaštitnu masku protiv prašine.

Ne smiju se obrađivati nikakvi materijali, od kojih prijeti opasnost po zdravlje (npr. azbest).

Kod blokiranja alata koji se upotrebljava uređaj molimo odmah isključiti! Uređaj nemojte ponovno uključiti za vrijeme dok je alat koji se upotrebljava blokiran; time može doći do povratnog udara sa visokim reakcijskim momentom. Pronađite i otklonite uzrok blokiranja alata koji se upotrebljava uz poštivanje sigurnosnih uputa.

Nemojte sezati u stroj koji radi.

Prije svih radova na stroju izvaditi bateriju za zamjenu.

Istrošene baterije za zamjenu ne bacati u vatru ili u kućno smeće. Milwaukee nudi mogućnost uklanjanja starih baterija odgovarajuće okolini. Milwaukee nudi mogućnost uklanjanja starih baterija odgovarajuće okolini; upitajte molimo Vašeg stručnog trgovca.

Baterije za zamjenu ne čuvati skupa sa metalnim predmetima (opasnost od kratkog spoja).

Baterije sistema M18 puniti samo sa uređajem za punjenje sistema M18. Ne puniti baterije iz drugih sistema.

Baterije za zamjenu i uređaje za punjenje ne otvarati i čuvati ih samo u suhim prostorijama. Čuvati protiv vlage.

Pod ekstremnim opterećenjem ili ekstremne temperature može iz oštećenih baterija iscuriti baterijska tekućina. Kod dodira sa

baterijskom tekućinom odmah isprati sa vodom i sapunom. Kod kontakta sa očima odmah najmanje 10 minuta temeljno ispirati i odmah potražiti liječnika.

**Upozorenje!** Zbog izbjegavanja opasnosti od požara jednim kratkim spojem, opasnosti od ozljeda ili oštećenja proizvoda, alat, izmjenjivi akumulator ili napravu za punjenje ne uronjavati u tekućine i pobrinite se za to, da u uređaje ili akumulator ne prodiru nikakve tekućine. Korozirajuće ili vodljive tekućine kao slana voda, određene kemikalije i sredstva za bijeljenje ili proizvodi koji sadrže sredstva bijeljenja, mogu prouzročiti kratak spoj.

## PROPISNIA UPOTREBA

Ručni mješać služi za miješanje građevnih materijala u prahu, kao žbuku, gips, vezivna sredstva kao i boja bez otapala, lakova i sličnih materijala.

Ovaj aparat se smije upotrijebiti samo u određene svrhe kao što je navedeno.

## CE-IZJAVA KONFORMNOSTI

Izjavljujemo na osobnu odgovornost, da je proizvod opisan pod "Tehnički podaci", sukladan sa svim relevantnim propisima smjernice 2011/65/EU (RoHS), 2014/30/EU, 2006/42/EC i sa sljedećim harmoniziranim normativnim dokumentima:

EN 62841-1:2015

EN 62841-2-1:2010

EN 62841-2-10:2016

EN 55014-1:2006 + A1:2009 + A2:2011

EN 55014-2:2015

EN 50581:2012

Winnenden, 2017-08-31

*Alexander Krug*

Alexander Krug  
Managing Director



Ovlašten za formiranje tehničke dokumentacije.

Techtronic Industries GmbH  
Max-Eyth-Straße 10  
71364 Winnenden  
Germany

## BATERIJE

Baterije koje duže vremena nisu korištene, prije upotrebe napuniti.

Temperatura od preko 50°C smanjuje učinak baterija. Duže zagrijavanje od strane sunca ili grijanja izbjeci.

Priključne kontakte na uređaju za punjenje i baterijama držati čistima.

Za optimalni vijek trajanja se akumulatori poslije upotrebe moraju sasvim napuniti.

Za što moguće duži vijek trajanja, akumulatori se nakon punjenja moraju odstraniti iz punjača.

Kod skladištenja akumulatora duže od 30 dana:

Akumulator skladištiti na suhom kod ca. 27°C.

Akumulator skladištiti kod ca. 30%-50% stanja punjenja.

Akumulator ponovno napuniti svakih 6 mjeseci.

## ZAŠTITA OD PREOPTEREĆENJA AKUMULATORA

Kod preopterećenja akumulatora kroz visoku potrošnju struje, npr. ekstremno visoki okretni momenti, zaglavljenje svrdla, naglo zaustavljanje ili kratki spoj, elektroalat bruji 2 sekunde dugo i isključuje se samostalno.

Za ponovno uključivanje ispuštiti otponac prekidača i zatim ponovno uključiti.

Pod ekstremnim opterećenjima se akumulator može jako zagrijati. U ovom slučaju se akumulator isključuje.

Akumulator zatim utaknuti u punjač kako bi se ovaj ponovno napunio i zatim aktivirao.

## TRANSPORT LITIJSKIH IONSKIH BATERIJA

Litijske-ionske baterije spadaju pod zakonske odredbe u svezi transporta opasne robe.

Prijevoz ovih baterija mora uslijediti uz poštivanje lokalnih, nacionalnih i internacionalnih propisa i odredaba.

- Korisnici mogu bez ustručavanja ove baterije transportirati po cestama.
- Komercijalni transport litijsko-ionskih baterija od strane transportnih poduzeća spada pod odredbe o transportu opasne robe. Otpremničke priprave i transport smiju izvoditi isključivo odgovarajuće školovane osobe. Kompletni proces se mora pratiti na stručan način.

Kod transporta baterija se moraju poštivati sljedeće točke:

- Uvjertite se da su kontakti zaštićeni i izolirani kako bi se izbjegli kratki spojevi.
- Pazite na to, da blok baterija unutar pakiranja ne može proklizavati.
- Oštećene ili iscurjele baterije se ne smiju transportirati.

U svezi ostalih uputa obratite se vašem prijevoznom poduzeću.

## ODRŽAVANJE

Primijeniti samo Milwaukee opremu i Milwaukee rezervne dijelove. Sastavne dijelove, čija zamjena nije opisana, dati zamijeniti kod jedne od Milwaukee servisnih službi (poštivati brošuru Garancija/Adrese servisa).

Po potrebi se crtež pojedinih dijelova aparata uz navođenje podatka o tipu stroja i šestznamenastog broja na pločici snage može zatražiti kod vašeg servisa ili direktno kod Techtronic Industries GmbH, Max-Eyth-Straße 10, 71364 Winnenden, Njemačka.

## SIMBOLI



PAŽNJA! UPOZORENIE! OPASNOST!



Prije svih radova na stroju izvaditi bateriju za zamjenu.



Molimo da pažljivo pročitate uputu o upotrebi prije puštanja u rad.



Elektrouređaji , baterije/akumulatori se ne smiju zbrinjavati skupa sa kućnim smećem. Električni uređaji akumulatori se moraju skupljati odvojeno i predati na zbrinjavanje primjereno okolišu jednom od pogona za iskorišćavanje. Raspitajte se kod mjesnih vlasti ili kod stručnog trgovca u svezi gospodarstva za recikliranje i mjesta skupljanja.



Oznaka-CE



Nacionalni znak konformnosti Ukrajina



EurAsian znak konformnosti.

| TEHNISKIE DATI                               | BEZVADU ROKAS MAISĪTĀJS     | M18 FPM          |
|--|-----------------------------|------------------|
| Izlaides numurs .....                        | 4589 32 01...               | ...000001-999999 |
| Tukšgaitas apgriezienu skaits .....          | 0-550 min <sup>-1</sup>     |                  |
| Darbarīka satvērējs .....                    | M14                         |                  |
| Maks. maisītāja diametrs.....                | 120 mm                      |                  |
| Maks. ieteicamais maisījuma daudzums .....   | 20 l                        |                  |
| Akumulātoru spriegums.....                   | 18 V                        |                  |
| Svars ar bateriju .....                      | 2,3 kg                      |                  |
| Svars atbilstoši EPTA -Procedure 01/2003     |                             |                  |
| ar uzlādējamo bateriju 1,5 Ah / 2,0 Ah ..... | 2,6 kg                      |                  |
| ar uzlādējamo bateriju 3,0 Ah / 4,0 Ah ..... | 3,0 kg                      |                  |
| ar uzlādējamo bateriju 9,0 Ah .....          | 3,4 kg                      |                  |
| Pielaujamā vides temperatūra                 |                             |                  |
| lādējot.....                                 | 0 ... +50 °C                |                  |
| darbinot un uzglabājot.....                  | -18 ... +50 °C              |                  |
| Ieteicamie akumulatoru komplekti .....       | M18B                        |                  |
| Ieteicamās uzlādes ierīces .....             | M12-18C, M12-18FC, M12-18AC |                  |

### Trokšņu un vibrāciju informācija

Vērtības, kas noteiktas saskaņā ar EN 62841.

A novērtētās aparatūras skaņas līmenis ir:

Trokšņa spiediena līmenis (Nedrošība K=3dB(A))..... 70,7 dB (A)

Trokšņa jaudas līmenis (Nedrošība K=3dB(A))..... 81,7 dB (A)

### Nēsāt trokšņa slāpētāju!

Svārstību kopējā vērtība (Trīs virzienu vektoru summa) tiek noteikta atbilstoši EN 62841.

Svārstību emisijas vērtība a<sub>h</sub>..... 1,2 m/s<sup>2</sup>

Nedrošība K=..... 1,5 m/s<sup>2</sup>

### UZMANĪBU!

Instrukcijā norādītā svārstību robežvērtība ir izmērīta mērījumu procesā, kas veikts atbilstoši standartam EN 62841, un to var izmantot elektroinstrumentu savstarpējai salīdzināšanai. Tā ir piemērota arī svārstību noslogojuma pagaidu izvērtēšanai.

Norādītā svārstību robežvērtība ir reprezentatīva elektroinstrumenta pamata pielietojuma jomām. Tomēr, ja elektroinstruments tiek pielietots citās jomās, papildus izmantojot neatbilstošus elektroinstrumentus vai pēc nepietiekamas tehniskās apkopes, tad svārstību robežvērtība var atšķirties. Tas var ievērojami palielināt svārstību noslogojumu visa darba laikā.

Precīzai svārstību noslogojuma noteikšanai, ir jāņem vērā arī laiks, kad ierīces ir izslēgtas vai arī ir ieslēgtas, tomēr faktiski netiek lietota. Tas var ievērojami samazināt svārstību noslogojumu visa darba laikā.

Integrējiet papildus drošības pasākumus pret svārstību ietekmi lietotājam, piemēram: elektroinstrumentu un darba instrumentu tehniskā apkope, roku siltuma uzturēšana, darba procesu organizācija.

### ▲ BRĪDINĀJUMS Izlasiet visus šim elektroinstrumentam pievienotos drošības brīdinājumus, instrukcijas, ilustrācijas un specifikācijas. Nespēja ievērot visas zemāk uzskaitītās instrukcijas var novest pie elektrošoka, ugunsgrēka un/vai smagiem savainojumiem.

### ▲ ROKAS MAISĪTĀJA BRĪDINĀJUMA NORĀDES

**Turiet ierīci ar abām rokām aiz šīm nolūkam paredzētajiem rokturiem.** Zaudējot kontroli pār darbarīku, draud savainošanās risks.

**Maisot uzliesmojošus materiālus rūpējieties par pietiekamu ventilāciju, lai neizveidotos sprādzienbīstama atmosfēra.** Izveidojošos tvaikus iespējams ieelpot, vai tos var aizdedzināt elektriskā darbarīka radīta dzirkstele.

**Neizmantojiet pārtikā.** Šis darbarīks un tā piederumi nav piemēroti pārtikas apstrādei.

**Nodrošiniet maisītāja tvirtni stabilā pozīcijā.** Nenodrošināta tvertne var pēkšņi izslīdēt.

**Nodrošiniet, lai pret elektriskā darbarīka korpusu nešļakstītos šķidrums.** Elektriskajā darbarīkā nokļuvīši šķidrums var radīt zaudējumus un izraisīt strāvas triecienus.

**Ievērojiet attiecībā uz maisījuma materiālu spēkā esošās instrukcijas un brīdinājuma norādes.** Maisāmais materiāls var būt kaitīgs.

**Neiesniedzieties maisītāja tvirtnē ar rokām un maisīšanas procesa laikā neievadiet tvirtnē priekšmetus.** Kontakts ar maisīklu var izraisīt smagas traumas.

**Ierīci palaidiet un apturiet tikai maisītāja tvirtnē.** Maisīkla var nekontrolēti saliekties vai sagriezties.

### CITAS DROŠĪBAS UN DARBA INSTRUKCIJAS

Jāizmanto aizsargaprīkojums. Strādājot ar mašīnu, vienmēr jānēsā aizsargbrilles. Ieteicams nēsāt aizsargapģērbu, kā piemēram, aizsargmasku, aizsargcimdus, kurpes no stingra un neslīdīga materiāla, ķiveri un ausu aizsargus.

Putekļi, kas rodas darba gaitā, bieži ir kaitīgi veselībai un tiem nevajadzētu nokļūt organismā. Jānēsā piemērota maska, kas pasargā no putekļiem.

Nedrīkst apstrādāt materiālus, kas rada draudus veselībai (piemēram, azbestu).

Ja izmantojamais darba rīks tiek bloķēts, nekavējoties izslēgt ierīci! Neieslēdziet ierīci, kamēr izmantojamais darba rīks ir bloķēts; var rasties atsitens ar augstu griezes momentu. Noskaidrojiet un novērsiet izmantotajā darba rīka bloķēšanas iemeslu, ievērojot visas drošības norādes.

Ieslēgtai ierīcei nepieskarties.

Pirms mašīnai veikt jebkāda veida apkopes darbus, ir jāizņem arī akumulātors.

Izmantotos akumulārus nedrīkst mest ugunī vai parastajos atkritumos. Firma Milwaukee piedāvā iespēju vecos akumulātorus savākt apkārtējo vidi saudzējošā veidā; jautājiet specializētā veikalā.

Akumulātorus nav ieteicams glabāt kopā ar metāla priekšmetiem (iespējams īsslēgums).

M18 sistēmas akumulātorus lādēt tikai ar M18 sistēmas lādētājiem. Nedrīkst lādēt citus akumulātorus no citām sistēmām.

Akumulātorus un lādētājus nedrīkst taisyt vaļā un tie jāuzglabā sausās telpās.

Pie ārkārtas slodzes un ārkārtas temperatūrām no bojātā akumulātorā var izteciēt akumulātorā šķidrums. Ja nonākat saskarsmē ar

akumulātorā šķidrums, saskarsmes vieta nekavējoties jānomazgā ar ūdeni un ziepēm. Ja šķidrums nonācis acīs, acis vismaz 10 min. skatot un nekavējoties konsultēties ar ārstu.

**Brīdinājums!** Lai novērstu īssavienojuma izraisītu aizdegšanās, savainojumu vai produkta bojājuma risku, neiegremdējiet instrumentu, maināmo akumulātoru vai uzlādes ierīci šķidrums un rūpējieties par to, lai ierīces un akumulātoros neiekļūtu šķidrums. Koroziju izraisīši vai vadītspējīgi šķidrums, piemēram, sālsūdens, noteiktas ķīmikālijas, balinātāji vai produkti, kas satur balinātājus, var izraisīt īssavienojumu.

### NOTEIKUMIEM ATBILSTOŠS IZMANTOJUMS

Rokas maisītājs kalpo pulverveida būvmateriālu, piemēram, javas, gipsa, saistvielū, kā arī šķīdinātājus nesaturošu krāsu, laiku un līdzīgu vielu maisīšanai.

Šo instrumentu drīkst izmantot tikai saskaņā ar minētajiem lietošanas noteikumiem.

### ATBILSTĪBA CE NORMĀM

Mēs apliecinām, ka produkts, kura tehniskie parametri aprakstīti "tehnisko datu lapā", pilnībā atbilst prasībām saskaņā ar direktīvām 2011/65/EU (RoHS), 2014/30/ES, 2006/42/EK un attiecīgajiem harmonizētajiem normatīvajiem dokumentiem:

EN 62841-1:2015  
 EN 62841-2-1:2010  
 EN 62841-2-10:2016  
 EN 55014-1:2006 + A1:2009 + A2:2011  
 EN 55014-2:2015  
 EN 50581:2012

Winnenden, 2017-08-31



Alexander Krug  
 Managing Director



Pilnvarotais tehniskās dokumentācijas sastādīšana.

Techtronic Industries GmbH  
 Max-Eyth-Straße 10  
 71364 Winnenden  
 Germany

### AKUMULĀTORI

Akumulātori, kas ilgāku laiku nav izmantoti, pirms lietošanas jāuzlādē.

Pie temperatūras, kas pārsniedz 50°C, akumulātoru darbība tiek negatīvi ietekmēta. Vajag izvairīties no ilgākas saules un karstuma iedarbības.

Lādētāja un akumulātoru pievienojuma kontakti jāuztur tīri.

Lai baterijām būtu optimāls mūžs, pēc lietošanas bateriju bloks pilnībā jāuzlādē.

Lai akumulātoru kalpotu pēc iespējas ilgāku laiku, tos pēc uzlādes ieteicams atvienot no lādētāj ierīces.

Akumulātoru uzglabāšana ilgāk kā 30 dienas: uzglabāt akumulātoru pie aptuveni 27° C un sausā vietā. Uzglabāt akumulātoru uzlādes stāvoklī aptuveni pie 30%-50%. Uzlādēt akumulātoru visus 6 mēnešus no jauna.

### AKUMULĀTORA AIZSARDŽĪBA PRET PĀRSLOGOJUMU

Akumulātoru pārslodze gadījumos, esot ļoti liela elektroenerģijas patēriņam, piem., ārkārtīgi augsts griezes moments, urbja iekeršanās, pēkšņa apstāšanās vai īssavienojums, elektriskais darbarīks 2 sekundes rūc, un pats izslēdzas.

Lai to atkal ieslēgtu, atlaidiet ieslēgšanas pogu un tad to ieslēdziet no jauna.

Esot ārkārtīgi augstam noslogojumam, akumulātorus var spēcīgi sakarst. Šādā gadījumā akumulātors atslēdzas.

Akumulātoru var ievietot lādētājā, lai to atkal uzlādētu un aktivizētu.

### LITĪJA JONU AKUMULĀTORU TRANSPORTĒŠANA

Uz litija jonu akumulātoriem attiecas noteikumi par bīstamo kravu pārvadāšanu.

Šo akumulātoru transportēšana jāveic saskaņā ar vietējiem, valsts un starptautiskajiem normatīvajiem aktiem un noteikumiem.

- Patērētāja darbības, pārvadājot šos akumulātorus pa autoceļiem, nav reglamentētas.
- Uz litija jonu akumulātoru komerciālu transportēšanu, ko veic ekspedīcijas uzņēmums, attiecas bīstamo kravu pārvadāšanas noteikumi. Sagatavošanas darbus un transportēšanu drīkst veikt tikai atbilstoši apmācīts personāls. Viss process jāveda profesionāli.

Veicot akumulātoru transportēšanu, jāievēro:

- Pārļiecinieties, ka kontakti ir aizsargāti un izolēti, lai izvairītos no īssavienojumiem.
- Pārļiecinieties, ka akumulātors iepakojumā nevar paslīdēt.
- Bojātus vai tekošus akumulātorus nedrīkst transportēt.

Plašāku informāciju Jūs varat saņemt no ekspedīcijas uzņēmuma.

### APKOPE

Izmantojiet tikai firmu Milwaukee piederumus un firmas Milwaukee rezerves daļas. Lieciet nomainīt detaļas, kuru nomaīņa nav aprakstīta, kādā no firmu Milwaukee klientu apkalpošanas servisiem. (Skat. brošūru "Garantija/klientu apkalpošanas serviss".)

Pēc pieprasījuma, Jūsu Klientu apkalpošanas centrā vai pie Technotronic Industries GmbH, Max-Eyth-Straße 10, 71364 Winnenden, Vācijā, ir iespējams saņemt iekārtas montāžas rasējumu, iepriekš norādot iekārtas modeli un sērijas numuru, kas atrodas uz datu plāksnītes un sastāv no sešiem simboliem.

### SIMBOLI



UZMANĪBU! BĪSTAMI!



Pirms mašīnai veikt jebkāda veida apkopes darbus, ir jāizņem arī akumulātors.



Pirms sākt lietot instrumentu, lūdz, izlasiet lietošanas pamācību.



Elektriskus aparātus, baterijas/akumulātorus nedrīkst izmantot kopā ar mājaisaimniecības atkritumiem. Elektriski aparāti un akumulātori ir jāsavāc atsevišķi un jānodod atkritumu pārstrādes uzņēmumā videi saudzīgai izmantošanai.

Jautājiet vietējā iestādē vai savam specializētajam tirgotājam, kur atrodas atkritumu pārstrādes uzņēmumi vai savākšanas punkti.



CE marķējums



Ukrainas nacionālais atbilstības simbols.



EurAsian atbilstības marķējums.



| TECHNINIAI DUOMENYS  | BELADIS RANKINIS MAIŠYTUVAS       | M18 FPM |
|--|-----------------------------------|---------|
| Produkto numeris .....   | 4589 32 01...<br>...000001-999999 |         |
| Sūkių skaičius laisva eiga.....                                | 0-550 min <sup>-1</sup>           |         |
| Įrankių laikiklis .....  | M14                               |         |
| Didž. maišytuvo skersmuo.....                                  | 120 mm                            |         |
| Didž. maišomos medžiagos kiekis.....                           | 20 l                              |         |
| Keičiamo akumulatoriaus įtampa.....                            | 18 V                              |         |
| Svoris su akumulatoriumi.....                                  | 2,3 kg                            |         |
| Prietaiso svoris įvertintas pagal EPTA 2003/01 tyrimų metodiką |                                   |         |
| su įkraunama baterija 1,5 Ah / 2,0 Ah .....                    | 2,6 kg                            |         |
| su įkraunama baterija 3,0 Ah / 4,0 Ah .....                    | 3,0 kg                            |         |
| su įkraunama baterija 9,0 Ah.....                              | 3,4 kg                            |         |
| Leistina aplinkos temperatūra                                  |                                   |         |
| įkraunant.....   | 0 ... +50 °C                      |         |
| ekspluatuojant ir sandėliuojant.....                           | -18 ... +50 °C                    |         |
| Rekomenduojami akumulatoriai .....                             | M18B                              |         |
| Rekomenduojami įkrovikliai.....                                | M12-18C, M12-18FC, M12-18AC       |         |

### Informacija apie triukšmą/vibraciją

Vertės matuotos pagal EN 62841.

Įvertintas A įrenginio keliamo triukšmo lygis dažniausiai sudaro:

Garso slėgio lygis (Paklaida K=3dB(A))..... 70,7 dB (A)

Garso galios lygis (Paklaida K=3dB(A))..... 81,7 dB (A)

### Nešioti klausos apsauginės priemonės!

Bendroji svyravimų reikšmė (trijų krypčių vektorių suma), nustatyta remiantis EN 62841.

Vibravimų emisijos reikšmė a<sub>w</sub>..... 1,2 m/s<sup>2</sup>

Paklaida K=..... 1,5 m/s<sup>2</sup>

### DĖMESIO!

Instrukcijoje nurodyta svyravimų ribinė vertė yra išmatuota remiantis standartu EN 62841; ji gali būti naudojama keliems elektriniams instrumentams palyginti. Ji taikoma ir laikinai įvertinti svyravimų apkrova.

Nurodyta svyravimų ribinė vertė yra taikoma pagrindinėse elektrinio instrumento naudojimo srityse. Svyravimų ribinė vertė gali skirtis naudojant elektrinį instrumentą kitose srityse, papildomai naudojant netinkamus elektrinius instrumentus arba juos nepakankamai techniškai prižiūrint. Dėl to viso darbo metu gali žymiai padidėti svyravimų apkrova.

Siekiant tiksliai nustatyti svyravimų apkrovą, būtina atsižvelgti ir į laikotarpį, kai įrenginys yra išjungtas arba įjungtas, tačiau faktiškai nenaudojamas. Dėl to viso darbo metu gali žymiai sumažėti svyravimų apkrova.

Siekiant apsaugoti vartotojus nuo svyravimo įtakos naudojamos papildomos saugos priemonės, pavyzdžiui, elektrinių darbo instrumentų techninė priežiūra, rankų šilumos palaikymas, darbo procesų organizavimas.

**⚠ WARNING Perskaitykite visus saugumo įspėjimus, instrukcijas, peržiūrėkite iliustracijas ir specifikacijas, pateiktas kartu su šiuo įrankiu.** Jei nepaisysite visų toliau pateiktų instrukcijų, gali trenkti elektros smūgis, kilti gaisras ir/arba galite sunkiai susižaloti arba sužaloti kitus asmenis.

### ⚠ ĮSPĖJIMAI DĖL RANKINIO MAIŠYTUVO

**Laikykite prietaisą abiem rankomis už specialiai šiam tikslui skirtų rankenų.** Praradus prietaiso kontrolę kyla traumos pavojus.

**Maišydami degias medžiagas užtikrinkite, kad oras patalpoje būtų pakankamai ventiliuojamas, priešingu atveju gali kilti sprogimo pavojus.** Kyla pavojus įkvėpti garus arba jie gali užsidegti nuo elektrinio prietaiso žiežirbų.

**Netinka naudoti maistui.** Šis įrankis ir priedai netinka maisto produktų apdorojimui.

**Pritvirtinkite maišymo korpusą stabilioje padėtyje.** Neteisingai pritvirtintas korpusas gali netikėtai nuslysti.

**Pasirūpinkite, kad ant elektrinio įrankio korpuso nepatektų joks skystis.** Į elektrinio prietaiso vidų įsiskverbus skystis gali padaryti žalos arba sukelti elektros smūgį.

**Atkreipkite dėmesį į maišomos medžiagos instrukciją ir įspėjimus.** Maišoma medžiaga gali būti pavojinga.

**Maišymo metu neikiškite rankų arba kitų daiktų į korpusą.** Kontaktas su maišytuvu gali sukelti rimtą traumą.

**Įjunkite ir išjunkite prietaisą tik tada, kai jis yra įdėtas į korpusą.** Maišytuvo gali nekontroliuojamai susilenkti ar pasisukti.

### KITI SAUGUMO IR DARBO NURODYMAI

Dėvėkite apsaugines priemones. Dirbdami su mašina visada užsidėkite apsauginius akinius. Rekomenduotina dėvėti apsaugines priemones: apsaugos nuo dulkių respiratorius, apsaugines pirštines, kietus batus neslidžiais padais, šalmą ir klausos apsaugos priemones.

Darbo metu susidarančios dulkės yra dažnai kenksmingos sveikatai ir todėl turėtų nepatekti į organizmą. Dėvėti tinkamą apsauginę kaukę nuo dulkių.

Negalima apdirbti medžiagų, dėl kurių gali būti sveikatos pažeidimai (pvz., asbesto).

Blokuojant įstatomąjį įrankį būtina išjungti prietaisą! Neįjunkite prietaiso, kol įstatomasis įrankis yra užblokuotas; galimas grįžtamasis smūgis su dideliu sukimo momentu. Atsižvelgdami į saugumo nurodymus, nustatykite ir pašalinkite įstatomojo įrankio blokavimo priežastį.

Neikiškite rankų į veikiančią mašiną.

Prieš atlikdami bet kokius darbus įrenginyje, išimkite keičiamą akumulatorių.

Sunaudotų keičiamų akumulatorių nedeginkite ir nemeskite į buitines atliekas. „Milwaukee“ siūlo tausojantį aplinką sudėvėtų keičiamų akumulatorių tvarkymą, apie tai prekybos atstovo.

Keičiamų akumulatorių nelaikykite kartu su metaliniais daiktais (trumpojo jungimo pavojus).

Keičiamus M18 sistemos akumulatoriumis kraukite tik „M18“ sistemos įkrovikliais. Nekraukite kitų sistemų akumulatorių.

Keičiamų akumulatorių ir įkroviklių nelaikykite atvirai. Laikykite tik sausoje vietoje. Saugokite nuo drėgmės.

Ekstremalių apkrovų arba ekstremalios temperatūros poveikyje iš keičiamų akumulatorių gali ištekti akumulatoriaus skystis. Išsitiesus akumulatoriaus skysčiu, tuoj pat nuplaukite vandeniu su muilu. Patekus į akis, tuoj pat ne trumpiau kaip 10 minučių gausiai skalaukite vandeniu ir tuoj pat kreipkitės į gydytoją.

**Įspėjimas!** Siekiami išvengti trumpojo jungimo sukeliama gaisro pavojus, sužalojimų arba produkto pažeidimų, neikiškite įrankio, keičiamo akumulatoriaus arba įkroviklio į skysčius ir pasirūpinkite, kad į prietaisus arba akumulatoriumis nepatektų jokių skysčių. Koroziją sukeliants arba laidūs skysčiai, pvz., sūrus vanduo, tam tikri chemikalai ir balikliai arba produktai, kurių sudėtyje yra baliklių, gali sukelti trumpąjį jungimą.

### NAUDOJIMAS PAGAL PASKIRTĮ

Rankinis maišytuvas skirtas maišyti miltelių pavidalo medžiagas, pavyzdžiui, skiedinį, gipsą, rišamąsias medžiagas, dažų tirpiklius, lakus ir panašias medžiagas.

Šį prietaisą leidžiama naudoti tik pagal nurodytą paskirtį.

### CE ATITIKTIES PAREIŠKIMAS

Remiantis bendrais atsakomybės reikalavimais pareiškiami, jog skyriuje "Techniniai duomenys" aprašytas produktas atitinka visus toliau pateiktų juridinių direktyvų reikalavimus: 2011/65/EU (RoHS), 2014/30/ES, 2006/42/EB ir kitus su jomis susijusius norminius dokumentus:

EN 62841-1:2015  
EN 62841-2-1:2010  
EN 62841-2-10:2016  
EN 55014-1:2006 + A1:2009 + A2:2011  
EN 55014-2:2015  
EN 50581:2012

Winnenden, 2017-08-31



Alexander Krug  
Managing Director



Įgalios parengti techninius dokumentus.

Techtronic Industries GmbH  
Max-Eyth-Straße 10  
71364 Winnenden  
Germany

### AKUMULATORIAI

Ilgesnį laiką nenaudotus keičiamus akumulatoriumis prieš naudojimą įkraukite.

Aukštesnė nei 50°C temperatūra mažina keičiamų akumulatorių galią. Venkite ilgesnio saulės ar šilumos šaltinių poveikio.

Įkroviklio ir keičiamo akumulatoriaus jungiamieji kontaktai visada turi būti švarūs.

Pasinaudoję prietaisu, visiškai įkraukite akumulatorių, kad prietaisas veiktų optimaliai ilgai.

Siekiant užtikrinti kuo ilgesnį baterijos tarnavimo laiką, reikėtų ją po atlikto įkrovimo iškart išimti iš įkroviklio.

Bateriją laikant ilgiau nei 30 dienų, būtina atkreipti dėmesį į šias nuorodas: bateriją laikyti sausoje aplinkoje, esant apie 27 °C temperatūrai. Baterijos įkrovimo lygis turi būti nuo 30% iki 50%. Baterija pakartotinai turi būti įkraunama kas 6 mėnesius.

### APSAUGA NUO AKUMULATORIAUS PERKROVOS

Perkrovos akumulatorių dėl itin didelės vartojamos srovės, pvz.: labai didelių apsučių, staigaus stabdymo, trumpo sujungimo ar užsikirtus grąžti, elektrinis įrankis veikia dar 2 sekundes ir išsijungia automatiškai.

Norint iš naujo įjungti įrankį, reikia atleisti mygtuką ir jį dar kartą įjungti. Dėl ekstremalių apkrovų akumulatoriumis gali labai stipriai įkaisti. Tokiu atveju jis išsijungia.

Tada akumulatorių reikia įkišti į įkroviklį, kad jis įsikrautų ir veiktų.

### LIČIO JONŲ AKUMULATORIŲ PERVEŽIMAS

Ličio jonų akumulatoriums taikomos įstatyminės nuostatos dėl pavojingų krovinių pervežimo.

Šiuos akumulatoriumis pervežti būtina laikantis vietinių, nacionalinių ir tarptautinių direktyvų ir nuostatų.

- Naudojant šiuos akumulatoriumis gali naudoti savo transporte be jokių kitų sąlygų.
- Už komercinį ličio jonų akumulatorių pervežimą atsako ekspedicijos įmonė pagal nuostatas dėl pavojingų krovinių pervežimo. Pasiruošimo išsiųsti ir pervežimo darbus gali atlikti tik atitinkamai išmokyti asmenys. Visas procesas privalo būti prižiūrimas.

Pervežant akumulatoriumis būtina laikytis šių punktų:

- Siekiant išvengti trumpųjų jungimų, įsitikinkite, kad kontaktai yra apsaugoti ir izoliuoti.
- Atkreipkite dėmesį, kad akumulatoriumis pakuotės viduje nesididintų.
- Draudžiama pervežti pažeistus arba tekančius akumulatoriumis.

Dėl detalesnių nurodymų kreipkitės į savo ekspedicijos įmonę.

### TECHNINIS APTARNAVIMAS

Naudokite tik „Milwaukee“ priedus ir „Milwaukee“ atsargines dalis. Dalis, kurių keitimas neaprašytas, leidžiama keisti tik „Milwaukee“ klientų aptarnavimo skyriams (žr. garantiją/klientų aptarnavimo skyrių adresus brošiūroje).

Esant poreikiui, nurodžius mašinos modelį ir šešiaženklį numerį, esantį ant specifikacijų lentelės, klientų aptarnavimo centre arba tiesiogiai „Techtronic Industries GmbH“, Max-Eyth-Str. 10, 71364 Winnenden, Vokietija, galite užsakyti išplėstinį prietaiso brėžinį.

### SIMBOLIAI



DĖMESIO! ĮSPĖJIMAS! PAVOJUS!



Prieš atlikdami bet kokius darbus įrenginyje, išimkite keičiamą akumulatorių.



Prieš pradėdami dirbti su prietaisu, atidžiai perskaitykite jo naudojimo instrukciją.



Elektros prietaisų, baterijų/akumulatorių šalinti kartu su buitinėmis atliekomis negalima. Elektros prietaisus ir akumulatoriumis reikia surinkti atskirai ir atiduoti perdirbimo įmonei, kad būtų pašalinti aplinkai saugiu būdu. Vietos valdžios institucijose arba specializuotose prekybos vietose pasidomėkite apie perdirbimo ir surinkimo centrus.



CE ženklas



Nacionalinė atitikties žyma Ukrainoje



„EurAsian“ atitikties ženklas.



| TEHNILISED ANDMED                         | AKUTOITEGA KÄSISEGUMIKSER         | M18 FPM |
|---|-----------------------------------|---------|
| Tootmisnumber .....                       | 4589 32 01...<br>...000001-999999 |         |
| Pöörlemiskiirus tühjoosul .....           | 0-550 min <sup>-1</sup>           |         |
| Spindlikeere .....                        | M14                               |         |
| Max mikseri vispli läbimõõt .....         | 120 mm                            |         |
| Max soovituslik segukogus .....           | 20 l                              |         |
| Vahetatava aku pingeline .....            | 18 V                              |         |
| Kaal akuga .....                          | 2,3 kg                            |         |
| Kaal vastavalt EPTA-protseduurile 01/2003 |                                   |         |
| vahetusaku 1,5 Ah / 2,0 Ah .....          | 2,6 kg                            |         |
| vahetusaku 3,0 Ah / 4,0 Ah .....          | 3,0 kg                            |         |
| vahetusaku 9,0 Ah .....                   | 3,4 kg                            |         |
| Lubatud keskkonnamaterjalid               |                                   |         |
| laadimise ajal .....                      | 0 ... +50 °C                      |         |
| töötamise ajal ja hoiustamisel .....      | -18 ... +50 °C                    |         |
| Soovituslikud akupakid .....              | M18B                              |         |
| Soovituslik laadija .....                 | M12-18C, M12-18FC, M12-18AC       |         |

#### Müra/vibratsiooni andmed

Mõõtevaartused on kindlaks tehtud vastavalt normile EN 62841.

Seadme tüüpiline hinnanguline (müratase:

Heli rõhutase (Määramatus K=3dB(A)) .....

Helivõimsuse tase (Määramatus K=3dB(A)) .....

#### Kandke kaitseks kõrvaklappe!

Vibratsiooni koguväärtus (kolme suuna vektorsumma) mõõdetud EN 62841 järgi.

Vibratsiooni emissiooni väärtus a<sub>w</sub> .....

Määramatus K= .....

#### TÄHELEPANU!

Antud juhendis toodud võnketase on mõõdetud EN 62841 standardile vastava mõõtesüsteemiga ning seda võib kasutada erinevate elektriseadmete omavahelises võrdlemises. Antud näitaja sobib ka esmaseks võnkekoormuse hindamiseks.

Antud võnketase kehtib elektriseadme kasutamisel sihtotstarbeliselt. Kui elektriseadet kasutatakse muudel otstarvetel, muude tööriistadega või seda ei hooldata piisavalt võib võnketase siintoodust erineda. Eeltoodu võib võnketaset märkimisväärselt tõsta terves töökeskkonnas.

Võnketaseme täpseks hindamiseks tuleks arvestada ka aega, mil seade on välja lülitatud või on küll sisse lülitatud, kuid ei ole otseselt kasutusel. See võib märgatavalt vähendada kogu töökeskkonna võnketaset.

Rakendage spetsiaalseid ettevaatusabinõusid töötajate suhtes, kes puutuvad töö käigus palju kokku vibratsiooniga. Nendeks abinõudeks võivad olla, näiteks: elektri- ja tööseadmete korraline hooldus, käte soojendamine, töövoa parem organiseerimine.

**⚠ TÄHELEPANU!** Kõik selle elektrilise tööriistaga kaasasolevad ohutusnõuded, juhised, joonised ja spetsifikatsioonid tuleb läbi lugeda. Kõigi allpool loetletud juhiste eiramise tagajärjeks võib olla elektrilöökk, tulekahju ja/või rasked vigastused.

#### ⚠ KÄSISEGUMIKSERIT PUUDUTAVAD HOIATUSED

**Hoidke seadet mõlema käega ettenähtud käepidemetest kinni.** Kontrolli kaotamisel tööriista üle tekib vigastusoht.

**Kergsuhtivate materjalide segunedes tagage piisav õhutus, et ei teki plahvatusohtlikku atmosfääri.** Tekkivaid auru võidakse sisse hingata või need võivad tööriista sädemetest süttida.

**Ärge kasutage toiduainete jaoks.** See tööriist ega selle lisavarustus ei sobi toiduainete töötlemiseks.

**Tagage segunõu stabiilne asend.** Valesti kinnitatud nõu võib ootamatult nihkuda.

**Veenduge, et tööriista korpuse vastu ei pritsi vedelikku.** Elektriseadmesse tungivad vedelikud võivad põhjustada kahjustusi ja elektrilööke.

**Järgige segumaterjali puudutavate juhiseid ja hoiatusi!** Segatav materjal võib tekitada kahjustusi.

**Ärge haarake kätega segunõust ega pange esemeid segamise ajal nõusse.** Kokkupuude segistiga võib põhjustada vigastusi.

**Seadet võib käivitada ja seisma jätta ainult segunõus.** Segumikser võib kontrollimatult moel painduda ja end pöörata.

#### EDASISED OHUTUS- JA TÖÖJUHISED

Kasutada kaitsevarustust. Masinaga töötamisel kanda alati kaitseprille. Kaitseriistadena soovitatatakse kasutada tolmu maski kaitsekindaid, kinniseid ja libisemisvastase tallaga jalanõusid, kiivrit ja kuulmisteede kaitset.

Töö ajal tekkiv tolmu on sageli teravkahjustav ning ei tohiks sattuda organismi. Kanda sobivat kaitsemaski.

Töödelda ei tohi materjale, millest lähtub oht tervisele (nt asbest).

Palun lülitage seade rakendustööriista blokeerimise korral kohe välja! Ärge lülitage seadet sisse tagasi, kuni rakendustööriist on blokeeritud; seejuures võib kõrge reaktsioonimomendiga tagasilöökk tekkida. Tehke ohutusjuhiseid arvesse võttes kindlaks ja kõrvaldage rakendustööriista blokeerimise põhjus.

Ärge sisestage jäsemeid töötavasse masinasse.

Enne kõiki töid masina kallal võtke vahetatav aku välja.

Ärge visake tarvitatud vahetatavaid akusid tulle ega olmeprügisse. Milwaukee pakub vanade akude keskkonnanahoidlikku käitlust; palun küsige oma erialaselt tarnijat.

Ärge säilitage vahetatavaid akusid koos metallsemetega (lühiseoht).

Laadige süsteemi M18 vahetatavaid akusid ainult süsteemi M18 laadijatega. Ärge laadige nendega teiste süsteemide akusid.

Ärge avage vahetatavaid akusid ega laadijaid ning ladustage neid ainult kuivades ruumides. Kaitse niiskuse eest.

Äärmuslikul koormusel või äärmuslikul temperatuuril võib kahjustatud vahetatavast akust akuveelik välja voolata. Akuveelikuga kokkupuutumise korral peske kohe vee ja seebiga. Silma sattumise korral loputage kiiresti põhjalikult vähemalt 10 minutit ning pöörduge viivitamatult arsti poole.

**Hoiatus!** Lühisest põhjustatud tuleohtu, vigastuste või toote kahjustuste vältimiseks ärge kaske tööriista, vahetusakut ega laadimiseadet vedelikku ning jälgige, et vedelikke ei tungiks seadmesse ega akusse. Korrodeeruvad või elektrit juhtivad vedelikud, nagu soolvesi, teatud kemikaalid ja pleegitusained või pleegitusained sisalduvad tooted, võivad põhjustada lühisid.

#### KASUTAMINE VASTAVALT OTSTARBELE

Käsisegumikser on mõeldud pulbriliste ehitusmaterjalide, nagu mört, kips, sideained, samuti lahustivabad värvid, lakid ja sarnased ained, segamiseks.

Antud seadet tohib kasutada ainult vastavalt äranäidatud otstarbele.

#### EÜ VASTAVUSAVALDUS

Me deklareerime ainuisikuliselt vastutades, et lõigus "Tehnilised andmed" kirjeldatud toode vastab direktiivide 2011/65/EU (RoHS), 2014/30/EU, 2006/42/EU kõigile olulisele tähtsusega eeskirjadele ning järgmistele harmoneeritud normatiivsetele dokumentidele:

EN 62841-1:2015  
EN 62841-2-1:2010  
EN 62841-2-10:2016  
EN 55014-1:2006 + A1:2009 + A2:2011  
EN 55014-2:2015  
EN 50581:2012

Winnenden, 2017-08-31

*Alexander Krug*

Alexander Krug  
Managing Director



On volitatud koostama tehnilist dokumentatsiooni.

Techtronic Industries GmbH  
Max-Eyth-Straße 10  
71364 Winnenden  
Germany

#### AKUD

Pikemat aega mittekasutatud akusid laadige veel enne kasutamist.

Temperatuur üle 50 °C vähendab vahetatava aku töövõimet. Vältige pikemat soojenemist päikese või kütteseadme mõjul.

Hoidke laadija ja vahetatava aku ühenduskontaktid puhtad.

Patreide optimaalse eluea tagamiseks, pärast kasutamist täielikult lae pateride plokki.

Akud tuleks võimalikult pika kasutusea saavutamiseks pärast täislaadimist laadijast välja võtta.

Aku ladustamisel üle 30 päeva:  
Ladustage akut kuivas kohas u 27°C juures.  
Ladustage akut u 30-50% laetussisendis.  
Laadige aku iga 6 kuu tagant täis.

#### AKU KOORMUSKAITSE

Aku ülekoormamisel kõrge voolutarbimisega, nt puuri blokeerimisel, äkilisel seiskumisel või lühise tekkimisel, vibreerib elektritööriist 2 sekundit ning seejärel lülitub automaatselt välja. Uuesti sisse lülitamiseks tuleb päästik esmalt vabastada ning seejärel uuesti alla suruda. Üli suurel koormusel võib aku kuumeneda kõrgete temperatuurideni. Sellisel juhul lülitub aku välja. Aku tuleb laadimiseks ja taasaktiveerimiseks sisestada laadimiseadmesse.

#### LIITIUMIOONAKUDE TRANSPORTIMINE

Liitiumioonakud on allutatud ohtlike ainete transportimisega seonduvatele õigusaktidele.

Nende akude transportimine peab toimuma kohalikest, siseriiklikest ja rahvusvahelistest eeskirjadest ning määrustest kinni pidades.

• Tarbijad tohivad neid akusid edasiste piiranguteta tänaval transportida.

• Liitiumioonakude kommentstransport ekspedeerimisettevõtete kaudu on allutatud ohtlike ainete transportimisega seonduvatele õigusaktidele. Tarne-ettevalmistusi ja transporti tohivad teostada eranditult vastavalt koolitatud isikud. Kogu protsessi tuleb asjatundlikult jälgida.

Akude transportimisel tuleb järgida järgmisi punkte:

- Tehke kindlaks, et kontaktid on lühise vältimiseks kaitstud ja isoleeritud.
- Pöörake tähelepanu sellele, et akupakk ei saaks pakendis nihkuda.
- Kahjustatud või välja voolanud akusid ei tohi kasutada.

Pöörduge edasiste juhiste saamiseks ekspedeerimisettevõtte poole.

#### HOOLDUS

Kasutage ainult Milwaukee tarkvikuid ja Milwaukee tagavaraosi. Detailid, mille väljavahetamist pole kirjeldatud, laske välja vahetada Milwaukee klienditeeninduspunkti (vaadake brošüüri garantii / klienditeeninduste aadressid).

Vajadusel saab nõuda seadme plahvatusjoonise võimsussildil oleva masinatüübi ja kuuekohalise numbrilise alusel klienditeeninduspunkti või vahetatult Techtronic Industries GmbH, Max-Eyth-Straße 10, 71364 Winnenden, Germany.

#### SÜMBOLID



ETTEVAATUST! TÄHELEPANU! OHUD!



Enne kõiki töid masina kallal võtke vahetatav aku välja.



Palun lugege enne käikulaskmist kasutamisyjuhend hoolikalt läbi.



Elektriseadmeid, patareisid/akusid ei tohi utiliiseerida koos majapidamisprügiga. Elektriseadmed ja akud tuleb eraldi kokku koguda ning kõrvaldada keskkonnamoel moel töötlemiskeskusesse. Küsige infot jäätmekäitlusjaamade ja kogumispunktide kohta oma kohalike ametnike või edasimüüja käest.



CE-märk



Ukraina riiklik vastavusmärk



Euraasia vastavusmärk.

| ТЕХНИЧЕСКИЕ ХАРАКТЕРИСТИКИ                           | РУЧНОЙ МИКСЕР С АВТОНОМНЫМ ПИТАНИЕМ | M18 FPM |
|--|-------------------------------------|---------|
| Серийный номер изделия .....                         | 4589 32 01...<br>...000001-999999   |         |
| Число оборотов без нагрузки .....                    | 0-550 min <sup>-1</sup>             |         |
| Зажим инструмента .....                              | M14                                 |         |
| Макс. диаметр мешалки .....                          | 120 mm                              |         |
| Макс. рекомендуемый объем перемешиваемой смеси ..... | 20 l                                |         |
| Вольтаж аккумулятора .....                           | 18 V                                |         |
| Вес с батареей .....                                 | 2,3 kg                              |         |
| Вес согласно процедуре EPTA 01/2003                  |                                     |         |
| со сменным аккумулятором 1,5 Ah / 2,0 Ah .....       | 2,6 kg                              |         |
| со сменным аккумулятором 3,0 Ah / 4,0 Ah .....       | 3,0 kg                              |         |
| со сменным аккумулятором 9,0 Ah .....                | 3,4 kg                              |         |
| Допустимая температура окружающей среды              |                                     |         |
| при зарядке .....                                    | 0 ... +50 °C                        |         |
| при эксплуатации и хранении .....                    | -18 ... +50 °C                      |         |
| Рекомендованные аккумуляторные блоки .....           | M18B                                |         |
| Рекомендованные зарядные устройства .....            | M12-18C, M12-18FC, M12-18AC         |         |

#### Информация по шумам/вибрации

Значения замерялись в соответствии со стандартом EN 62841.

Уровень шума прибора, определенный по показателю A, обычно составляет:

Уровень звукового давления (Небезопасность K=3dB(A)) ..... 70,7 dB (A)

Уровень звуковой мощности (Небезопасность K=3dB(A)) ..... 81,7 dB (A)

#### Пользуйтесь приспособлениями для защиты слуха.

Общие значения вибрации (векторная сумма трех направлений)

определены в соответствии с EN 62841.

Значение вибрационной эмиссии a<sub>h</sub>..... 1,2 m/s<sup>2</sup>

Небезопасность K=..... 1,5 m/s<sup>2</sup>

#### ВНИМАНИЕ!

Указанный в настоящей руководстве уровень вибрации измерен в соответствии с технологией измерения, установленной стандартом EN 62841 и может использоваться для сравнения электроинструментов друг с другом. Он также подходит для предварительной оценки вибрационной нагрузки.

Указанный уровень вибрации представляет основные виды использования электроинструмента. Но если электроинструмент используется для других целей, используемый инструмент отклоняется от указанного или техническое обслуживание было недостаточным, то уровень вибрации может отклоняться от указанного. В этом случае вибрационная нагрузка в течение всего периода работы значительно уменьшается.

Для точной оценки вибрационной нагрузки необходимо также учитывать время, в течение которого прибор отключен или включен, но фактически не используется. В этом случае вибрационная нагрузка в течение всего периода работы может существенно уменьшиться.

Установите дополнительные меры безопасности для защиты пользователя от воздействия вибрации, например: техническое обслуживание электроинструмента и используемого инструмента, поддержание рук в теплом состоянии, организация рабочих процессов.

**⚠ ВНИМАНИЕ! Ознакомьтесь со всеми предупреждениями относительно безопасного использования, инструкциями, иллюстративным материалом и техническими характеристиками, поставляемыми с этим электроинструментом.** Несоблюдение всех нижеследующих инструкций может привести к поражению электрическим током, пожару и/или тяжелым травмам.

#### ⚠ ПРЕДУПРЕДИТЕЛЬНЫЕ УКАЗАНИЯ ПО РАБОТЕ С МИКСЕРОМ

Следует держать инструмент двумя руками за предусмотренные для этого ручки. При потере контроля над инструментом существует опасность травм.

При перемешивании воспламеняющихся веществ обеспечить достаточную вентиляцию, чтобы не допустить образования взрывоопасной атмосферы. Образующиеся пары могут при дыхании попасть в легкие или воспламениться в результате искрения электроинструмента.

Не использовать для пищевых продуктов. Данный инструмент и его принадлежностей не предназначены для работы с пищевыми продуктами.

Закрепить емкость с перемешиваемой смесью в устойчивом положении. Не закрепленная должным образом емкость может неожиданно сдвинуться.

Убедиться, что на корпус электроинструмента не попадают брызги жидкости. Жидкость, попавшая внутрь электроинструмента, может привести к его повреждению и удару электрическим током.

Следовать рекомендациям и указаниям по работе с перемешиваемой смесью. Перемешиваемая смесь может представлять опасность.

Держать руки в стороне от емкости с перемешиваемой смесью и во время смешивания не вставлять в емкость никакие предметы. Контакт с мешалкой может привести к тяжелым травмам.

Включать и выключать инструмент только в емкости с перемешиваемой смесью. Существует опасность неконтролируемого перегиба или поворота мешалки.

**Предупреждение!** Для предотвращения опасности пожара в результате короткого замыкания, травм и повреждения изделия не опускайте инструмент, сменный аккумулятор или зарядное устройство в жидкости и не допускайте попадания жидкостей внутрь устройств или аккумуляторов. Коррозионные и проводящие жидкости, такие как соленый раствор, определенные химикаты, отбеливающие средства или содержащие их продукты, могут привести к короткому замыканию.

#### ДОПОЛНИТЕЛЬНЫЕ УКАЗАНИЯ ПО БЕЗОПАСНОСТИ И РАБОТЕ

Пользоваться средствами защиты. Работать с инструментом всегда в защитных очках. Рекомендуется спецоджда: пылезаститная маска, защитные перчатки, прочная и нескользящая обувь, каска и наушники.

Пыль, возникающая при работе данным инструментом, может нанести вред здоровью. Не следует допускать её попадания в организм. Надевайте противовылевой респиратор.

Запрещается обрабатывать материалы, которые могут нанести вред здоровью (напр., асбест).

При блокировании используемого инструмента немедленно выключить прибор! Не включайте прибор до тех пор, пока используемый инструмент заблокирован, в противном случае может возникнуть отдача с высоким реактивным моментом. Определите и устраните причину блокирования используемого инструмента с учетом указаний по безопасности.

Не прикасаться к работающему станку.

Выньте аккумулятор из машины перед проведением с ней каких-либо манипуляций.

Не выбрасывайте использованные аккумуляторы вместе с домашним мусором и не сжигайте их. Дистрибьюторы компании Milwaukee предлагают восстановление старых аккумуляторов, чтобы защитить окружающую среду.

Не храните аккумуляторы вместе с металлическими предметами во избежание короткого замыкания.

Для зарядки аккумуляторов модели M18 используйте только зарядным устройством M18. Не заряжайте аккумуляторы других систем.

Никогда не вскрывайте аккумуляторы или зарядные устройства и храните их только в сухих помещениях. Следите, чтобы они всегда были сухими.

Аккумуляторная батарея может быть повреждена и дать течь под воздействием чрезмерных температур или повышенной нагрузки. В случае контакта с аккумуляторной кислотой немедленно промойте место контакта мылом и водой. В случае попадания кислоты в глаза промойте глаза в течение 10 минут и немедленно обратитесь за медицинской помощью.

#### ИСПОЛЬЗОВАНИЕ

Ручной миксер предназначен для перемешивания порошкообразных строительных материалов, таких как строительный раствор, гипс, связующие вещества, а также краски и лаки и аналогичные материалы, не содержащие растворителей.

Не пользуйтесь данным инструментом способом, отличным от указанного для нормального применения.

#### ДЕКЛАРАЦИЯ О СООТВЕТСТВИИ СТАНДАРТАМ ЕС

Мы заявляем под собственную ответственность, что изделие, описанное в разделе "Технические характеристики", соответствует всем важным предписаниям Директивы 2011/65/EU (Директива об ограничении применения опасных веществ в электрических и электронных приборах), 2014/30/EU, 2006/42/EC и приведенным далее гармонизированным нормативным документам:

EN 62841-1:2015  
EN 62841-2-1:2010  
EN 62841-2-10:2016  
EN 55014-1:2006 + A1:2009 + A2:2011  
EN 55014-2:2015  
EN 50581:2012

Winnenden, 2017-08-31



Alexander Krug  
Managing Director



Уполномочен на составление технической документации.

Techtronic Industries GmbH  
Max-Eyth-Straße 10  
71364 Winnenden  
Germany

#### АККУМУЛЯТОР

Перед использованием аккумулятора, которым не пользовались некоторое время, его необходимо зарядить.

Температура свыше 50°C снижает работоспособность аккумуляторов. Избегайте продолжительного нагрева или прямого солнечного света (риск перегрева).

Контакты зарядного устройства и аккумуляторов должны содержаться в чистоте.

Чтобы снова зарядить и активировать аккумулятор, подключите его к зарядному устройству.

Для обеспечения оптимального срока службы аккумуляторы необходимо полностью заряжать после использования.

Для достижения максимального возможного срока службы аккумуляторы после зарядки следует вынимать из зарядного устройства.

При хранении аккумулятора более 30 дней: Храните аккумулятор при 27°C в сухом месте. Храните аккумулятор с зарядом примерно 30% - 50%. Каждые 6 месяцев аккумулятор следует заряжать.

#### ЗАЩИТА АККУМУЛЯТОРА ОТ ПЕРЕГРУЗКИ

При перегрузке аккумулятора из-за очень высокого расхода электроэнергии, напр., предельно высоких крутящих моментов, заклинивания сверла, внезапной остановки или короткого замыкания, электроинструмент гудит 2 секунды и автоматически отключается.

Для повторного включения отпустить кнопку выключателя и затем снова включить.

При предельно высоких нагрузках аккумулятор может сильно нагреться. В этом случае аккумулятор отключится.

#### ТРАНСПОРТИРОВКА ЛИТИЙ-ИОННЫХ АККУМУЛЯТОРОВ

Литий-ионные аккумуляторы в соответствии с предписаниями закона транспортируются как опасные грузы.

Транспортировка этих аккумуляторов должна осуществляться с соблюдением местных, национальных и международных предписаний и положений.

- Эти аккумуляторы могут перевозиться по улице потребителем без дальнейших обязательств.
- При коммерческой транспортировке литий-ионных аккумуляторов экспедиторскими компаниями действуют положения, касающиеся транспортировки опасных грузов. Подготовка к отправке и транспортировка должны производиться исключительно специально обученными лицами. Весь процесс должен находиться под контролем специалиста.

При транспортировке аккумуляторов необходимо соблюдать следующие пункты:

- Убедитесь, что контакты защищены и изолированы во избежание короткого замыкания.
- Следите за тем, чтобы аккумуляторный блок не соскользнул внутри упаковки.
- Транспортировка поврежденных или протекающих аккумуляторов запрещена.

За дополнительными указаниями обратитесь к своему экспедитору.

#### ОБСЛУЖИВАНИЕ

Пользуйтесь аксессуарами и запасными частями Milwaukee. В случае возникновения необходимости в замене, которая не была описана, обращайтесь в один из сервисных центров по обслуживанию электроинструментов Milwaukee (см. список сервисных организаций).

При необходимости, у сервисной службы или непосредственно у фирмы Techtronic Industries GmbH, Max-Eyth-Straße 10, 71364, Винненден, Германия, можно запросить оборотный чертеж устройства, сообщив его тип и шестизначный номер, указанный на фирменной табличке.

#### СИМВОЛЫ



ВНИМАНИЕ! ПРЕДУПРЕЖДЕНИЕ! ОПАСНОСТЬ!



Выньте аккумулятор из машины перед проведением с ней каких-либо манипуляций.



Пожалуйста, внимательно прочтите инструкцию по использованию перед началом любых операций с инструментом.



Электроприборы, батарей/аккумуляторы запрещено утилизировать вместе с бытовым мусором.

Электрические приборы и аккумуляторы следует собирать отдельно и сдавать в специализированную компанию для утилизации в соответствии с нормами охраны окружающей среды.

Получите в местных органах власти или у вашего специализированного дилера сведения о центрах вторичной переработки и пунктах сбора.



Знак CE



Национальный украинский знак соответствия



Знак Евразийского Соответствия

| ТЕХНИЧЕСКИ ДАННИ                                 | АКУМУЛАТОРНА РЪЧНА БЪРКАЛКА       | M18 FPM |
|--|-----------------------------------|---------|
| Производствен номер.....                         | 4589 32 01...<br>...000001-999999 |         |
| Обороти на празен ход.....                       | 0-550 min <sup>-1</sup>           |         |
| Държач на инструмента.....                       | M14                               |         |
| Макс. диаметър на бъркалката.....                | 120 mm                            |         |
| Макс. препоръчително количество за смесване..... | 20 l                              |         |
| Напрежение на акумулатора.....                   | 18 V                              |         |
| Тегло с батерия.....                             | 2,3 kg                            |         |
| Тегло съгласно процедурата EPTA 01/2003          |                                   |         |
| с/с сменяема батерия 1,5 Ah / 2,0 Ah.....        | 2,6 kg                            |         |
| с/с сменяема батерия 3,0 Ah / 4,0 Ah.....        | 3,0 kg                            |         |
| с/с сменяема батерия 9,0 Ah.....                 | 3,4 kg                            |         |
| Допустима температура на околната среда          |                                   |         |
| при зареждане.....                               | 0 ... +50 °C                      |         |
| при експлоатация и съхранение.....               | -18 ... +50 °C                    |         |
| Препоръчителни акумулаторни батерии.....         | M18B                              |         |
| Препоръчителни зарядни устройства.....           | M12-18C, M12-18FC, M12-18AC       |         |

### Информация за шума/вибрациите

Измерените стойности са получени съобразно EN 62841.

Оцененото с A ниво на шума на уреда е съответно:

Равнище на звуковото налягане (Несигурност K=3dB(A)) ..... 70,7 dB (A)

Равнище на мощността на звука (Несигурност K=3dB(A)) ..... 81,7 dB (A)

### Да се носи предпазно средство за слуха!

Общите стойности на вибрациите (векторна сума на три посоки) са определени в съответствие с EN 62841.

Стойност на емисии на вибрациите a<sub>h</sub>..... 1,2 m/s<sup>2</sup>

Несигурност K=..... 1,5 m/s<sup>2</sup>

### ВНИМАНИЕ!

Посоченото в тези инструкции ниво на вибрациите е измерено в съответствие със стандартизиран в EN 62841 измервателен метод и може да се използва за сравнение на електрически инструменти помежду им. Подходящ е и за временна оценка на вибрационното натоварване.

Посоченото ниво на вибрациите представя основните приложения на електрическия инструмент. Ако обаче електрическият инструмент се използва с друго предназначение, с различни сменяеми инструменти или при недостатъчна техническа поддръжка, нивото на вибрациите може да е различно. Това чувствително може да увеличи вибрационното натоварване по време на целия работен цикъл.

За точната оценка на вибрационното натоварване трябва да се вземат предвид и периодите от време, в които уредът е изключен или работи, но в действителност не се използва. Това чувствително може да намали вибрационното натоварване по време на целия работен цикъл.

Определете допълнителни мерки по техника на безопасност в защита на обслужващия работник от въздействието на вибрациите като например: техническа поддръжка на електрическия инструмент и сменяемите инструменти, поддръжане на ръцете топли, организация на работния цикъл.

**⚠ ВНИМАНИЕ!** Прочетете всички указания за безопасност, инструкции, илюстрации и спецификации за този електроинструмент. Пропуските при спазване на приведените по-долу указания могат да доведат до токов удар, пожар и/или тежки травми.

### ⚠ ПРЕДУПРЕДИТЕЛНИ УКАЗАНИЯ РЪЧНА БЪРКАЛКА

**Дръжте уреда с две ръце за предвидените за целта ръкохватки.** При загуба на контрол над инструмента съществува опасност от нараняване.

**При бъркане на запалими материали осигурявайте достатъчна вентилация, за да не възниква потенциално възпламеняема атмосфера.** Възникващите изпарения могат да бъдат вдъшани или да се възпламят от искрите, създадени от електроинструмента.

**Не използвайте за хранителни продукти.** Инструментът и неговите принадлежности не са подходящи за обработката на хранителни продукти.

**Фиксирайте смесителния съд в стабилно положение.** Недобре фиксираният смесителен съд може внезапно да се изплъзне.

**Уверете се, че към корпуса на електроинструмента не излитат пръски от течности.** Течностите, попаднали в електроинструмента, могат да причинят щети и да предизвикат токови удари.

**Спазвайте указанията и предупрежденията, валидни за разбърквания материал.** Материалът за разбъркване може да е вреден.

**Не посягайте с ръце към смесителния съд и не вкарвайте предмети в него по време на процеса на разбъркване.**

Контактът с бъркалката може да причини тежки наранявания.

**Стартирайте и спирайте уреда само в смесителния съд.**

Бъркалката може да се огъне или завърти неконтролируемо.

### ДОПЪЛНИТЕЛНИ УКАЗАНИЯ ЗА РАБОТА И БЕЗОПАСНОСТ

Да се използват предпазни средства. При работа с машината винаги носете предпазни очила. Препоръчат се защитно облекло и прахозащитна маска, защитни ръкавици, здрави и нехлъзгащи се обувки, каска и предпазни средства за слуха.

Прахът, който се образува при работа, често е вреден за здравето и не бива да попада в тялото. Да се носи подходяща прахозащитна маска.

Не е разрешена обработката на материали, които представляват опасност за здравето (напр. азбест).

Ако използваният инструмент блокира, изключете веднага уреда! Не включвайте уреда отново, докато използваният инструмент е блокиран; това би могло да доведе до откат с висока реактивна сила. Открийте и отстранете причината за блокирането на използвания инструмент и майки в предвид инструкциите за безопасност.

Не бъркайте в машината, докато тя работи.

Преди започване на каквито е да работи по машината извадете акумулатора.

Не изхвърляйте изхабените акумулатори в огъня или в при битовите отпадъци. Milwaukee предлага екологосъобразно събиране на старите акумулатори; моля попитайте Вашия специализиран търговец.

Не съхранявайте акумулаторите заедно с метални предмети (опасност от късо съединение).

Акумулатори от системата M18 да се заредят само със зарядни устройства от системата M18 laden. Да не се заредят акумулатори от други системи.

Не отваряйте акумулатори и зарядни устройства и ги съхранявайте само в сухи помещения. Пазете ги от влага.

При екстремно натоварване или екстремна температура от повредени акумулатори може да изтече батерийна течност. При допир с такава течност веднага измийте с вода и сапун. При контакт с очите веднага изплаквайте старателно най-малко 10 минути и незабавно потърсете лекар.

**Предупреждение!** За да избегнете опасността от пожар, предизвикана от късо съединение, както и нараняванията и повредите на продукта, не потапяйте инструмента, сменяемата акумулаторна батерия или зарядното устройство в течности и се погрижете в уредите и акумулаторните батерии да не попадат течности. Течностите, предизвикващи корозия или провеждащи електричество, като солена вода, определени химикали, изобелващи вещества или продукти, съдържащи изобелващи вещества, могат да предизвикат късо съединение.

### ИЗПОЛЗВАНЕ ПО ПРЕДНАЗНАЧЕНИЕ

Ръчната бъркалка служи за разбъркване на прахообразни строителни материали като хоросан, гипс, свързващи вещества, както и на бои и лакове без разтворители и на подобни материали.

Този уред може да се използва по предназначение само както е посочено.

### СЕ - ДЕКЛАРАЦИЯ ЗА СЪОТВЕТСТВИЕ

Заявяваме под собствена отговорност, че описаният в "Технически данни" продукт съответства на всички важни разпоредби на директива 2011/65/EU (RoHS), 2014/30/EU, 2006/42/EO, както и на всички следващи нормативни документи във тази връзка.

EN 62841-1:2015

EN 62841-2-1:2010

EN 62841-2-10:2016

EN 55014-1:2006 + A1:2009 + A2:2011

EN 55014-2:2015

EN 50581:2012

Winnenden, 2017-08-31



Alexander Krug  
Managing Director



Упълномощен за съставяне на техническата документация

Techtronic Industries GmbH  
Max-Eyth-Straße 10  
71364 Winnenden  
Germany

### АКУМУЛАТОРИ

Акумулатори, които не са ползвани по-дълго време, преди употреба да се дозаредят.

Температура над 50°C намалява мощността на акумулатора. Да се избягва по-продължително нагряване на спънче или от отопление.

Поддържайте чисти присъединителните контакти на зарядното устройство и на акумулатора.

С цел оптимална продължителност на живот след употреба батериите трябва да бъдат заредени напълно.

За възможно по-дълга продължителност на живот батериите трябва да се изваждат от уреда след зареждане.

При съхранение на батериите за повече от 30 дни: съхранявайте батерията при прибл. 27°C и на сухо място. Съхранявайте батерията при 30 до 50 % от заряда. Зареджайте батерията на всеки 6 месеца.

### ЗАЩИТА ОТ ПРЕТОВАРВАНЕ НА БАТЕРИЯТА

При претоварване на акумулатора поради много висока консумация на ток, напр. много високи въртящи моменти, закланване на свредлото, влезален стоп или късо съединение, електрическият инструмент бръмчи 2 секунди и самостоятелно се изключва.

За ново включване освободете бутона за включване и отново го включете. При извънредни натоварвания акумулаторът може да се нагрее силно. В този случай акумулаторът изключва.

Товага акумулаторът да се включи към зарядното устройство, за да се дозареди и активира.

### ПРЕВОЗ НА ЛИТИЕВО-ЙОННИ БАТЕРИИ

Литиево-йонните батерии са предмет на законите разпоредби за превоз на опасни товари.

Превозът на тези батерии трябва да се извършва в съответствие с местните, националните и международните разпоредби и регламенти.

- Потребителите могат да превозват тези батерии по пътя без допълнителни изисквания.
- Превозът на литиево-йонни батерии от транспортни компании е предмет на законните разпоредбите за превоз на опасни товари. Подготовката на превоза и самият превоз трябва да се извършват само от обучени лица. Целият процес трябва да е под професионален надзор.

Спазвайте следните изисквания при превоз на батерии:

- Уверете се, че контактите са защитени и изолирани, за да се избегне късо съединение.
- Уверете се, че няма опасност от разместване на батерията в опаковката.
- Не превозвайте повредени батерии или такива с течове.

Обърнете се към Вашата транспортна компания за допълнителни инструкции.

### ПОДДРЪЖКА

Да се използват само аксесоари на Milwaukee и резервни части на Milwaukee. Елементи, чията подмяна не е описана, да се дадат за подмяна в сервиз на Milwaukee (вижте брошурата "Гаранция и адреси на сервизи").

При необходимост можете да поискате схема на елементите на уреда при посочване на обозначение на машината и шестцифрения номер на табелката за технически данни от Вашия сервиз или директно на Techtronic Industries GmbH, Max-Eyth-Straße 10, 71364 Winnenden, Германия.

### СИМВОЛИ



ВНИМАНИЕ! ПРЕДУПРЕЖДЕНИЕ! ОПАСНОСТ



Преди започване на каквито е да работи по машината извадете акумулатора.



Преди пускане на уреда в действие моля прочетете внимателно инструкцията за използване.



Електрическите уреди, батерии/акумулаторни батерии не трябва да се изхвърлят заедно с битовите отпадъци. Електрическите уреди и акумулаторни батерии трябва да се събират отделно и да се предават на службите за рециклиране на отпадъците според изискванията за опазване на околната среда. Информирайте се при местните служби или при местните специализирани търговци относно местата за събиране и центровете за рециклиране на отпадъци.



СЕ-знак



Национален знак за съответствие - Украйна



EurAsian знак за съответствие.



| DATE TEHNICE  | MIXER MANUAL FĂRĂ FIR       | M18 FPM          |
|---|-----------------------------|------------------|
| Numar productie.....  | 4589 32 01...               | ...000001-999999 |
| Viteza de mers în gol.....  | 0-550 min <sup>-1</sup>     |                  |
| Suport unealtă.....   | M14                         |                  |
| Diametru max. padelă de amestec.....  | 120 mm                      |                  |
| Capacitate maximă de amestec recomandată.....                                 | 20 l                        |                  |
| Tensiune acumulator.....  | 18 V                        |                  |
| Greutate cu baterie.....  | 2,3 kg                      |                  |
| Greutatea conform „EPTA procedure 01/2003”<br>cu baterie 1,5 Ah / 2,0 Ah..... | 2,6 kg                      |                  |
| cu baterie 3,0 Ah / 4,0 Ah.....   | 3,0 kg                      |                  |
| cu baterie 9,0 Ah.....  | 3,4 kg                      |                  |
| Temperatură ambientată admisibilă<br>la încărcare.....                        | 0 ... +50 °C                |                  |
| în timpul funcționării și al depozitării.....                                 | -18 ... +50 °C              |                  |
| Seturi de baterii recomandate.....  | M18B                        |                  |
| Încărcător de baterii recomandat.....   | M12-18C, M12-18FC, M12-18AC |                  |

#### Informație privind zgomotul/vibrațiile

Valori măsurate determinate conform EN 62841.

Nivelul de zgomot evaluat cu A al aparatului este tipic de:

Nivelul presiunii sonore (Nesiguranță K=3dB(A))..... 70,7 dB (A)

Nivelul sunetului (Nesiguranță K=3dB(A))..... 81,7 dB (A)

#### Purtați căști de protecție

Valorile totale de oscilație (suma vectorială pe trei direcții) determinate conform normei EN 62841.

Valoarea emisiei de oscilații a<sub>n</sub>..... 1,2 m/s<sup>2</sup>

Nesiguranță K=..... 1,5 m/s<sup>2</sup>

#### AVERTISMENT!

Gradul de oscilație indicat în prezentele instrucțiuni a fost măsurat în conformitate cu o procedură de măsurare normată prin norma EN 62841 și poate fi folosit pentru a compara unele electrice între ele. El se pretează și pentru o evaluare provizorie a solicitării la oscilații.

Gradul de oscilație indicat reprezintă aplicațiile principale ale uneltelor electrice. În cazul în care însă uneltelor electrice au fost folosite pentru alte aplicații, ori au fost folosite unelte de muncă diferite ori acestea nu au fost supuse unei suficiente inspecții de întreținere, gradul de oscilație poate fi diferit.

Acest fapt poate duce la o creștere netă a solicitărilor la oscilații dealungul întregii perioade de lucru. În scopul unei evaluări exacte a solicitării la oscilații, urmează să fie luate în considerare și perioadele de timp în care aparatul a fost oprit ori funcționează dar, în realitate, el nu este folosit în mod practic. Acest fapt poate duce la o reducere netă a solicitărilor la oscilații dealungul întregii perioade de lucru.

Stabiliți măsuri de siguranță suplimentare în scopul protecției utilizatorului de efectele oscilațiilor, de exemplu: inspecție de întreținere a uneltelor electrice și a celor de muncă, păstrarea caldă a mâinilor, organizarea proceselor de muncă.

**⚠️ AVERTISMENT A se citi toate avertismentele, instrucțiunile, ilustrațiile și specificațiile privind siguranța furnizate cu această unealtă electrică.** Nerespectarea tuturor instrucțiunilor listate mai jos poate cauza șocuri electrice, incendii și/sau vătămări corporale grave.

#### ⚠️ AVERTISMENTE PRIVIND MIXERUL MANUAL

**Țineți aparatul cu ambele mâini, prinzându-l de mânerul prevăzute.**

Pierderea controlului poate cauza vătămări corporale.

**Asigurați ventilarea suficientă în cazul amestecării materialelor inflamabile, pentru a evita atmosfera periculoasă.** Vaporii emanați pot fi inhalați sau aprinși de scânteele produse de unele electrice.

**A nu se folosi pentru amestecarea alimentelor.** Această unealtă electrică și accesoriile acesteia nu sunt concepute pentru procesarea alimentelor.

**Asigurați-vă că recipientul de amestec este amplasat pe o suprafață stabilă, în poziție sigură.** Un container neasigurat corespunzător se poate mișca neașteptat.

**Asigurați-vă că lichidele nu stropesc carcasa unelei electrice.** Lichidele pătrunse în unealta electrică pot cauza daune și șoc electric.

**Urmați instrucțiunile și avertismentele privind materialul de amestecat.** Materialele de amestecat pot fi toxice.

**Nu introduceți mâinile în recipientul de amestecare și nu aruncați obiecte în recipient în timpul funcționării mixerului.** Contactul cu padelele poate cauza vătămări corporale severe.

**Porniți și opriți unealta doar în interiorul recipientului de amestecare.** Malaxorul se poate îndoi sau roti în mod necontrolat.

#### INSTRUCȚIUNI SUPLEMENTARE DE SIGURANȚĂ ȘI DE LUCRU

Folosiți echipament de protecție. Purtați întotdeauna ochelari de protecție când lucrați cu mașina. Se recomandă utilizarea hainelor de protecție ca de ex. Măști contra prafului, mănuși de protecție, încălțăminte stabilă nealunecoasă, cască și aparatoare de urechi.

Praful care apare când se lucrează cu această sculă poate fi dăunător sănătății și prin urmare nu trebuie să atingă corpul. Purtați o mască de protecție corespunzătoare împotriva prafului.

Nu se admite prelucrarea unui material care poate pune în pericol sănătatea operatorului (de exemplu azbestul).

La blocarea sculei demontabile vă rugăm să deconectați imediat aparatul! Nu conectați aparatul atâta timp cât scula demontabilă este blocată; dacă o faceți, s-ar putea să se producă un recul cu un cuplu mare de reacție. Găsiți și remediați cauza de blocare a sculei demontabile respectând indicațiile pentru siguranță.

Nu atingeți părțile mașinii aflate în rotație.

Îndepărtați acumulatorul înainte de începerea lucrului pe mașina

Nu aruncați acumulatorii uzați la containerul de reziduri menajere și nu îi ardeți. Milwaukee Distributors se oferă să recupereze acumulatorii vechi pentru protecția mediului înconjurător.

Nu depozitați acumulatorul împreună cu obiecte metalice (risc de scurtcircuit)

Folosiți numai încărcătoare System M18 pentru încărcarea acumulatorilor System M18. Nu folosiți acumulatori din alte sisteme.

Nu deschideți niciodată acumulatorii și încărcătoarele și pastrați-le numai în încăperi uscate. Pastrați-le întotdeauna uscate.

Acidul se poate scurge din acumulatorii deteriorați la încălziri sau temperaturi extreme. În caz de contact cu acidul din acumulator, spălați

imediat cu apă și săpun. În caz de contact cu ochii, clătiți cu atenție timp de cel puțin 10 minute și apelați imediat la îngrijire medicală.

**⚠️ Avertizare!** Pentru a reduce pericolul unui incendiu i evitarea r/nirilor sau deteriorarea produsului în urma unui scurtcircuit nu imersai scula, acumulatorul de schimb sau în/rc/torul în lichide i asigurai-v/ s/ nu p/ trund/ lichide în aparate i acumulatori. Lichidele corosive sau cu conductibilitate, precum apa s/rat/, anumite substane chimice i în/lbitori sau produse ce conin în/lbitori, pot provoca un scurtcircuit.

#### CONDIȚII DE UTILIZARE SPECIFICE

Mixerul manual este conceput pentru amestecarea materialelor de construcții sub formă de pulbere precum mortarul, gipsul, adezivii precum și vopselele fără conținut de solvenți, lacuri și alte substanțe.

Nu utilizați acest produs în alt mod decât cel stabilit pentru utilizare normală

#### DECLARAȚIE DE CONFORMITATE

Declarăm pe propria răspundere că produsul descris la "Date tehnice" este în concordanță cu toate prevederile legale relevante ale Directivei 2011/65/EU (RoHS), 2014/30/EU, 2006/42/CE și cu următoarele norme armonizate:

EN 62841-1:2015

EN 62841-2-1:2010

EN 62841-2-10:2016

EN 55014-1:2006 + A1:2009 + A2:2011

EN 55014-2:2015

EN 50581:2012

Winnenden, 2017-08-31



Alexander Krug  
Managing Director



Împuternicit să elaboreze documentația tehnică.

Techtronic Industries GmbH  
Max-Eyth-Straße 10  
71364 Winnenden  
Germany

#### ACUMULATORI

Acumulatorii care nu au fost utilizați o perioadă de timp trebuie reîncărcați înainte de utilizare.

Temperatura mai mare de 50°C (122°F) reduce performanța acumulatorului. Evitați expunerea prelungită la căldură sau radiație solară (risc de supraîncălzire)

Contactele încărcătoarelor și acumulatorilor trebuie păstrate curate.

Pentru o durabilitate optimă, acumulatorii trebuie reîncărcați complet după folosire.

Pentru o durată de viață cât mai lungă, acumulatorii ar trebui scoși din încărcător după încărcare.

La depozitarea acumulatorilor mai mult de 30 zile: Acumulatorii se depozitează la cca. 27°C și la loc uscat. Acumulatorii se depozitează la nivelul de încărcare de cca. 30%-50%. Acumulatorii se încarcă din nou la fiecare 6 luni.

#### PROTECȚIE SUPRAÎNCĂRCARE ACUMULATOR

În caz de supraîncărcare a acumulatorului prin consum foarte ridicat de curent, de ex. cupluri mecanice extrem de mari, înțepenia burghiului, întrerupere bruscă sau scurtcircuit, unealta electrică produce timp de 2 secunde un zgomot înfundat, după care se decuplează de la sine. În vederea recuplării, dați drumul butonului de comutare, iar apoi efectuați o nouă cuplare.

În condiții de încărcări extreme, acumulatorul se poate încălzi peste măsură. În acest caz, acumulatorul se decuplează.

Pentru a-l reîncărca și activa, puneți acumulatorul în în aparatul de încărcare.

#### TRANSPORTUL ACUMULATORILOR CU IONI DE LITIU

Acumulatorii cu ioni de litiu cad sub incidența prescripțiilor legale pentru transportul de mărfuri periculoase.

Transportul acestor acumulatori trebuie să se efectueze cu respectarea prescripțiilor și reglementărilor pe plan local, național și internațional.

- Consumatorilor le este permis transportul rutier nerestricționat al acestui tip de acumulatori.
- Transportul comercial al acumulatorilor cu ioni de litiu prin intermediul firmelor de expediție și transport este supus reglementărilor transportului de mărfuri periculoase. Pregătirile pentru expediție și transportul au voie să fie efectuate numai de către personal instruit corespunzător. Întregul proces trebuie asistat în mod competent.

Următoarele puncte trebuie avute în vedere la transportul acumulatorilor:

- Pentru a se evita scurtcircuite, asigurați-vă de faptul că sunt protejate și izolate contactele.
- Aveți grijă ca pachetul de acumulatori să nu poată aluneca în altă poziție în interiorul ambalajului său.
- Este interzis transportarea unor acumulatori deteriorați sau care pierd lichid.

Pentru indicații suplimentare adresați-vă firmei de expediție și transport cu care colaborați.

#### INTREȚINERE

Utilizați numai accesorii și piese de schimb Milwaukee. Dacă unele din componente care nu au fost descrise trebuie înlocuite, vă rugăm contactați unul din agenții de service Milwaukee (vezi lista noastră pentru service / garanție)

Dacă este necesar, puteți solicita de la centrul dvs. de service pentru clienți sau direct la Techtronic Industries GmbH, Max-Eyth-Straße 10, 71364 Winnenden, Germania un desen descompus al aparatului prin indicarea tipului de aparat și a numărului cu șase cifre de pe tăblița indicatoare.

#### SIMBOLURI



PERICOL! AVERTIZARE! ATENȚIE!



Îndepărtați acumulatorul înainte de începerea lucrului pe mașina



Va rugăm citiți cu atenție instrucțiunile înainte de pomirea mașinii



Aparatele electrice, bateriile/acumulatorii nu se elimină împreună cu deșeurile menajere. Aparatele electrice și acumulatorii se colectează separat și se predau la un centru de reciclare, în vederea eliminării ecologice. Informații-vă de la autoritățile locale sau de la comercianții acreditați în legătură cu centrele de reciclare și de colectare.



Marcaj CE



Marcaj național de conformitate Ucraina



Marcaj de conformitate EurAsian.

| ТЕХНИЧКИ ПОДАТОЦИ                                | БЕЗЖИЧНА РАЧНА МЕШАЛКА      | M18 FPM         |
|--|-----------------------------|-----------------|
| Произведен број.....                             | 4589 32 01...               | ...00001-999999 |
| Брзина без оптоварување.....                     | 0-550 min <sup>-1</sup>     |                 |
| Држач на алатката.....                           | M14                         |                 |
| Максимален дијаметар на алатката за мешање.....  | 120 mm                      |                 |
| Максимална препорачана количина за мешање.....   | 20 l                        |                 |
| Волтажа на батеријата.....                       | 18 V                        |                 |
| Тежина со батерија.....                          | 2,3 kg                      |                 |
| Тежина според ЕПТА-процедурата 01/2003           |                             |                 |
| со батерија 1,5 Ah / 2,0 Ah.....                 | 2,6 kg                      |                 |
| со батерија 3,0 Ah / 4,0 Ah.....                 | 3,0 kg                      |                 |
| со батерија 9,0 Ah.....                          | 3,4 kg                      |                 |
| Дозволена температура на околната                |                             |                 |
| при полнење.....                                 | 0 ... +50 °C                |                 |
| при работа и чување.....                         | -18 ... +50 °C              |                 |
| Препорачани комплекти акумулаторски батерии..... | M18B                        |                 |
| Препорачани полначи.....                         | M12-18C, M12-18FC, M12-18AC |                 |

#### Информација за бучавата/вибрациите

Измерените вредности се одредени согласно стандардот EN 62841.

A-оценетото ниво на бучава на апаратот типично изнесува:

Ниво на звучен притисок. (Несигурност K=3dB(A))..... 70,7 dB (A)

Ниво на јачина на звук. (Несигурност K=3dB(A))..... 81,7 dB (A)

**Носте штитник за уши.**

Вкупни вибрациски вредности (векторски збир на трите насоки) пресметани согласно EN 62841.

Вибрациска емисиона вредност a<sub>h</sub>..... 1,2 m/s<sup>2</sup>

Несигурност K..... 1,5 m/s<sup>2</sup>

#### ПРЕДУПРЕДУВАЊЕ!

Нивото на осцилација наведено во овие инструкции е измерено во согласност со мерните постапки нормирани во EN 62841 и може да биде употребено за меѓусебна споредба на електро-алати. Ова ниво може да се употреби и за привремена проценка на оптоварувањето на осцилацијата.

Наведено ниво на осцилација ги репрезентира главните намени на електро-алатот. Но, доколку електро-алатот се употребува за други намени, со отстапувачки додатоци или со несоодветно одржување, нивото на осцилација може да отстапи. Тоа може значително да го зголеми оптоварувањето на осцилацијата за време на целиот работен период.

За прецизна проценка на оптоварувањето на осцилацијата предвид треба да бидат земен и времињата, во коишто апаратот е исклучен или работи, но фактички не се употребува. Тоа може значително да го намали оптоварувањето на осцилацијата за време на целиот работен период.

Утврдете дополнителни безбедносни мерки за заштита на операторот од влијанието на осцилациите, како на пример: одржување на електро-алатот и на додатоци кои електро-алатот, одржување топли раце, организација на работните процеси.

**⚠ ПРЕДУПРЕДУВАЊЕ! Прочитајте ги сите безбедносни упатства, инструкции, илустрации и спецификации за овој електричен алат.**  
Недоследно почитување на подолу наведените упатства може да предизвика електричен удар, пожар и/или сериозни повреди.

#### ⚠ НАПОМЕНИ ЗА РАЧНА МЕШАЛКА

Држете го уредот со двете раце за рачките предвидени за оваа намена. Губење на контрола на алатката може да предизвика лична повреда.

Кога мешате запалливи материјали, обезбедете соодветна вентилација за да се избегне експлозивна атмосфера. Парата што произлегуваат може да се вдишат или да се запалат од искрите што ги произведува електричната алатка.

Да не се користи за мешање на храна. Овие алатки и нивната опрема не се наменети за преработка на храна.

Обезбедите го садот за мешање во стабилна положба. Садот што не е правилно обезбеден може да се придвижи неочекувано.

Уверете се дека не се распрскува течност врз куќиштето на електричниот уред. Течноста што навлезе во електричниот уред може да предизвика оштетување и да доведе до електричен удар.

Следете ги упатствата и предупредувањата што се однесуваат на материјалот за мешање. Материјалот за мешање може да биде штетен.

Не допирајте го садот за мешање со рацете или не вметнувајте ги други предмети во него додека мешате. Контактот со алатката за мешање може да предизвика сериозни повреди.

Стартувајте и запрете ја алатката само во садот за мешање. Алатката за мешање може да се наведува или искривува на неконтролиран начин.

#### ОСТАНАТИ БЕЗБЕДНОСНИ И РАБОТНИ УПАТСТВА

Употребувајте заштитна опрема. При работа со машината постојано носете заштитни очила. Се препорачува заштитна облека како: маска за заштита од прашина, заштитни ракавици, цврсти чевли што не се лигзаат, кацига и заштита за уши.

Пршната која се создава при користење на овој алат може да биде штетна по здравјето. Не ја вдишувајте. Носете соодветна заштитна маска.

Не смеат да бидат обработувани материјали кои што можат да го загрозат здравјето (на пр. азбест).

Доколку употребаното орудие се блокира, молиме веднаш да се исклучи апаратот! Не го вклучувајте апаратот повторно додека употребаното орудие е блокирано; притоа би можело да дојде до повратен удар со висок момент на реакција. Испитајте и отстранете ја причината за блокирањето на употребеното орудие имајќи ги во предвид напомените за безбедност.

Не фаќајте во машината кога работи.

Извадете го батерискиот склоп пред отпочнување на каков и да е зафат врз машината.

Не ги оставајте искористените батерии во домашниот отпад и не горете ги. Дистрибутерите на Милвоки ги собираат старите батерии, со што ја штитат нашата околина.

Не ги чувајте батериите заедно со метални предмети (ризик од краток спој).

Користете исклучиво Систем M18 за полнење на батерии од M18 систем. Не користете батерии од друг систем.

Не ги отворајте насилно батериите и полначите, и чувајте ги само на суво место. Чувајте ги постојано суви.

Киселината од оштетените батериите може да истече при екстреман напон или температури. Доколку дојдете во контакт со исатата, измијте се веднаш со сапун и вода. Во случај на контакт со очите плакнете ги убаво најмалку 10 минути и задолжително одете на лекар.

#### СПЕЦИФИЦИРАНИ УСЛОВИ НА УПОТРЕБА

Рачна мешалка се користи за мешање на градежни материјали во форма на прав, како што се малтер, гипс, адхезиви, бои и лакови без растворувачи и слични супстанции.

Не го користете овој производ на било кој друг начин освен пропишаниот за нормална употреба.

**Предупредување!** За да избегнете опасноста од пожар, од наранувања или од оштетување на производот, коишто ги создава краток спој, не ја потопувајте во течност алатката, заменливата батерија или полначот и пазете во уредите и во батериите да не проникнуваат течности. Корозивни или електроспроводливи течности, како солена вода, одредени хемикалии, избелувачки препарати или производи кои содржат избелувачки супстанции, можат да предизвикаат краток спој.

#### ЕУ-ДЕКЛАРАЦИЈА ЗА СООБРАЗНОСТ

Во своја сопствена одговорност изјавуваме дека под "Технички податоци" опишаниот производ е во склад со сите релевантни прописи од регулативата 2011/65/EU (RoHS), 2014/30/EU, 2006/42/EC и следните хармонизирани нормативни документи:

EN 62841-1:2015

EN 62841-2-1:2010

EN 62841-2-10:2016

EN 55014-1:2006 + A1:2009 + A2:2011

EN 55014-2:2015

EN 50581:2012

Winnenden, 2017-08-31

*Alexander Krug*

Alexander Krug  
Managing Director



Ополномоштен за составување на техничката документација.

Techtronic Industries GmbH

Max-Eyth-Straße 10

71364 Winnenden

Germany

#### БАТЕРИИ

Подолг период неупотребувани комплекти батерии да се наполнат пред употреба.

Температура повисока од 50°C (122°F) го намалуваат траењето на батериите. Избегнувајте подолго изложување на батериите на високи температури или сонце (ризик од прегревање).

Клемите на полначот и батериите мора да бидат чисти.

За оптимален работен век, по употреба батериите мора да бидат целосно наполнети.

За можно подолг век на траење, апаратите после нивното полнење треба да бидат извадени од апаратот за полнење на батериите.

Во случај на складирање на батеријата подолго од 30 дена: Акумулаторот да се чува на температура од приближно 27°C и на суво место.

Акумулаторот да се складира на приближно 30%-50% од состојбата на наполнетост.

Акумулаторот повторно да се наполни на секои 6 месеци.

#### ЗАШТИТА ОД ПРЕОПТЕРЕТУВАЊЕ НА БАТЕРИЈАТА

При преоптоварување на батеријата со многу висока потрошувачка на струја, на пример екстремно високи вртежни моменти, заглавување на дупчалката, ненадејно запирање или краток спој, електро-уредот бучи 2 секунди, а потоа самостојно се гаси.

За повторно вклучување ослободете го прекинувачот и вклучете повторно.

Во случај на екстремни оптоварувања батеријата може да загрее многу. Во таков случај батеријата исклучува.

Тогаш ставете ја батеријата во уредот за полнење за повторно да ја наполните и активирате.

#### ТРАНСПОРТ НА ЛИТИУМ-ЈОНСКИ БАТЕРИИ

Литиум-јонските батерии подлежат на законските одредби за транспорт на опасни материи.

Транспортот на овие батерии мора да се врши согласно локалните, националните и меѓународните прописи и одредби.

• Потрошувачите на овие батерии може да вршат непречен патен транспорт на истите.

• Комерцијалниот транспорт на литиум-јонски батерии од страна на шпедитерски претпријатија подлежни на одредбите за транспорт на опасни материи. Подготовките за шпедиција и транспорт треба да ги вршат исклучиво соодветно обучени лица. Целкупниот процес треба да биде стручно надгледуван.

При транспортот на батерии треба да се внимава на следното:

- Осигурајте се дека контактите се заштитени и изолирани, а сето тоа со цел да се избегнат кратки споеви.
- Внимавајте да не дојде до измествување на батериите во нивната амбалажа.
- Забранет е транспорт на оштетени или протечени литиум-јонски батерии.

За понатамошни инструкции обратете се до Вашето шпедитерско претпријатие.

#### ОДРЖУВАЊЕ

Користете само Milwaukee додатоци и резервни делови. Доколку некои од компонентите кои не се опишани треба да бидат заменети, Ве молиме контактирајте ги сервисните агенти на Milwaukee (консултирајте ја листата на адреси).

При потреба може да се побара експлозивен цртеж на апаратот со наведување на машинскиот тип и шестозифрениот број на табличката со учиниот или во Вашата корисничка служба или директно кај Techtronic Industries GmbH, Max-Eyth-Straße 10, 71364 Winnenden, Германија.

#### СИМБОЛИ



ВНИМАНИЕ! ПРЕДУПРЕДУВАЊЕ! ОПАСНОСТ!



Извадете го батерискиот склоп пред отпочнување на каков и да е зафат врз машината.



Ве молиме пред да ја стартувате машината обрнете внимание на упатствата за употреба.



Електричните апарати и батериите што се наполнат не смеат да се фрлат заедно со домашниот отпад. Електричните апарати и батериите треба да се собираат одделно и да се однесат во соодветниот погон заради нивно фрлање во склад со начелата за заштита на околината. Информирајте се кај Вашите месни служби или кај специјализираниот трговски претставник, каде има такви погони за рециклажа и собирни станици.



CE-знак



Национален конформитетски знак за Украина



EurAsian (Евроазиски) знак на конформитет.

| ТЕХНІЧНІ ХАРАКТЕРИСТИКИ                                | РУЧНИЙ МІКСЕР З АВТОНОМНИМ ЖИВЛЕННЯМ | M18 FPM |
|--|--------------------------------------|---------|
| Номер виробу.....                                      | 4589 32 01...<br>...000001-999999    |         |
| Кількість обертів холостого ходу.....                  | 0-550 min <sup>-1</sup>              |         |
| Затискач інструмента.....                              | 120 mm                               |         |
| Макс. діаметр мішалки.....                             | M14                                  |         |
| Макс. рекомендований об'єм перемішуваної суміші.....   | 20 l                                 |         |
| Напруга змінної акумуляторної батареї.....             | 18 V                                 |         |
| Вага з акумуляторною батареєю.....                     | 2,3 kg                               |         |
| Вага згідно з процедурою EPTA 01/2003                  |                                      |         |
| із змінною акумуляторною батареєю 1,5 Ah / 2,0 Ah..... | 2,6 kg                               |         |
| із змінною акумуляторною батареєю 3,0 Ah / 4,0 Ah..... | 3,0 kg                               |         |
| із змінною акумуляторною батареєю 9,0 Ah.....          | 3,4 kg                               |         |
| Дозволена температура довкілля                         |                                      |         |
| при заряджанні.....                                    | 0 ... +50 °C                         |         |
| при експлуатації та зберіганні.....                    | -18 ... +50 °C                       |         |
| Рекомендовані акумулятори.....                         | M18B                                 |         |
| Рекомендовані зарядні пристрої.....                    | M12-18C, M12-18FC, M12-18AC          |         |

## Шум / інформація про вібрацію

Виміряні значення визначені згідно з EN 62841.

Рівень шуму "А" приладу становить в типовому випадку:

Рівень звукового тиску (похибка K = 3 дБ(A))..... 70,7 dB (A)

Рівень звукової потужності (похибка K = 3 дБ(A))..... 81,7 dB (A)

## Використовувати засоби захисту органів слуху!

Сумарні значення вібрації (векторна сума трьох напрямків), встановлені згідно з EN 62841.

Значення вібрації a<sub>w</sub>..... 1,2 m/s<sup>2</sup>  
похибка K = ..... 1,5 m/s<sup>2</sup>

## ПОПЕРЕДЖЕННЯ

Рівень вібрації, вказаний в цій інструкції, вимірювався згідно з методом вимірювання, нормованим стандартом EN 62841, і може використовуватися для порівняння електроінструментів. Він призначений також для попередньої оцінки навантаження від вібрації.

Вказаний рівень вібрації відповідає основним сферам використання електроінструменту. Але якщо електроінструмент використовується для іншої мети, з іншими вставними інструментами або при недостатньому технічному обслуговуванні, рівень вібрації може бути іншим. Це може значно підвищити навантаження від вібрації за весь період роботи.

Для точної оцінки навантаження від вібрації необхідно враховувати час, коли прилад вимкнений або увімкнений, але фактично не використовується. Це може значно зменшити навантаження від вібрації за весь період роботи.

Визначте додаткові заходи безпеки для захисту оператора від дії вібрації, наприклад: Технічне обслуговування електроінструменту та вставних інструментів, зігрівання рук, організація робочих процесів.

**⚠ УВАГА!** Ознайомитись з усіма попередженнями з безпечного використання, інструкціями, ілюстративним матеріалом та технічними характеристиками, які надаються з цим електричним інструментом. Недотримання всіх наведених нижче інструкцій може призвести до ураження електричним струмом, пожежі та/або важких травм.

## ⚠ ПОПЕРЕДЖУВАЛЬНІ ВКАЗІВКИ ЩОДО РОБОТИ З МІКСЕРОМ

**Слід тримати інструмент двома руками за передбачені для цього ручки.** При втраті контролю над інструментом існує небезпека травм.

**При перемішуванні замістих речовин забезпечити достатню вентиляцію, щоб уникнути утворення вибухонебезпечної атмосфери.** Пари, що утворюються, можуть при диханні потрапити в легені або загорітися в результаті іскріння електроінструменту.

**Не використовувати для харчових продуктів.** Цей інструмент і його приладдя не призначені для роботи з харчовими продуктами.

**Закріпити ємність з перемішуваною сумішшю в стійкому положенні.** Не закріплена належним чином ємність може несподівано зрушитися.

**Переконатися, що на корпус електроінструменту не потрапляють бризки рідини.** Рідина, що потрапила всередину електроінструменту, може призвести до його uszkodження та удару електричним струмом.

**Виконувати рекомендації і вказівки щодо роботи з перемішуваною сумішшю.** Перемішувана суміш може бути небезпечною.

**Тримати руки в стороні від ємності з перемішуваною сумішшю і під час змішування не вставляти в ємність ніякі предмети.** Контакт з мішалкою може призвести до важких травм.

**Вимкати і вимикати інструмент тільки в смонтованій перемішуваною сумішшю.** Існує небезпека неконтрольованого перетину або повороту мішалки.

## ДОДАТКОВІ ІНСТРУКЦІ З ТЕХНІКИ БЕЗПЕКИ ТА ЕКСПЛУАТАЦІЇ

Використовуйте індивідуальні засоби захисту. Під час роботи з машиною завжди носіть захисні окуляри. Радимо використовувати захисний одяг, як наприклад маску для захисту від пилу, захисні рукавиці, міцне та нековзне взуття, каску та засоби захисту органів слуху.

Пил, що утворюється під час роботи, часто буває шкідливим для здоров'я; він не повинен потрапляти в організм. Носити відповідну маску для захисту від пилу. Не можна обробляти матеріали, небезпечні для здоров'я (наприклад, азбест).

При блокуванні вставного інструменту негайно вимкніть прилад! Не вмикайте прилад, якщо вставний інструмент заблокований; при цьому може виникати віддача з високим зворотним моментом. Визначити та усунути причину блокування вставного інструменту з урахуванням вказівок з техніки безпеки.

Вставний інструмент може нагріватися під час роботи.

Перед будь-якими роботами на машині виїняти змінну акумуляторну батарею

Відпрацьовані змінні акумуляторні батареї не можна кидати у вогонь або викидати з побутовими відходами. АЕС пропонує утилізацію старих змінних акумуляторних батарей, безпечно для довкілля; зверніться до свого дилера.

Не зберігати змінні акумуляторні батареї разом з металевими предметами (небезпека короткого замикання).

Змінні акумуляторні батареї системи M18 заряджати лише зарядними пристроями системи M18 Не заряджати акумуляторні батареї інших систем.

Не відкривати змінні акумуляторні батареї і зарядні пристрої та зберігати їх лише в сухих приміщеннях. Берігти від вологи.

При екстремальному навантаженні або при екстремальній температурі з пошкодженої змінної акумуляторної батареї може витікати електроліт. При потрапленні електроліту на шкіру його негайно необхідно змити водою з милом.

При потрапленні в очі їх необхідно негайно ретельно промити, щонайменше 10 хвилин, та негайно звернутися до лікаря.

**Попередження!** Для запобігання небезпечі пожежі в результаті короткого замикання, травмам і пошкодженню виробів не занурюйте інструмент, змінний акумулятор або зарядний пристрій у рідину і не допускайте потраплення рідини всередину пристроїв або акумуляторів. Корозійні і струмопровідні рідини, такі як солоний розчин, певні хімікати, вибуховальні засоби або продукти, що їх містять, можуть призвести до короткого замикання.

## ВИКОРИСТАННЯ ЗА ПРИЗНАЧЕННЯМ

Ручний міксер призначений для перемішування порошокподібних будівельних матеріалів, таких як будівельний розчин, гіпс, з'єднувальні речовини, а також фарби, лаки й аналогічні матеріали, що не містять розчинників.

Цей прилад можна використовувати тільки за призначенням так, як вказано в цьому документі.

## СЕРТИФКАТ ВІДПОВІДНОСТІ ВИМОГАМ ЄС

Ми заявляємо на власну відповідальність, що виріб, описаний в „Технічних даних“, відповідає всім застосованим положенням директиви 2011/65/EU (RoHS), 2014/30/EU, 2006/42/EG, та наступним гармонізованим нормативним документам:

EN 62841-1:2015  
EN 62841-2-1:2010  
EN 62841-2-10:2016  
EN 55014-1:2006 + A1:2009 + A2:2011  
EN 55014-2:2015  
EN 50581:2012

Winnenden, 2017-08-31

  
Alexander Krug  
Managing Director



Уповноважений із складання технічної документації.

Techtronic Industries GmbH  
Max-Eyth-Straße 10  
71364 Winnenden  
Germany

## АКУМУЛЯТОРНІ БАТАРЕЇ

Змінну акумуляторну батарею, що не використовувалася тривалий час, перед використанням необхідно підзарядити.

Температура понад 50 °C зменшує потужність змінної акумуляторної батареї. Уникати тривалого нагрівання сонячними променями або системою обігріву.

З'єднувальні контакти зарядного пристрою та змінної акумуляторної батареї повинні бути чистими.

Для забезпечення оптимального строку експлуатації акумуляторні батареї після використання необхідно повністю зарядити.

Для забезпечення максимально можливого терміну експлуатації акумуляторні батареї після зарядки необхідно виймати з зарядного пристрою.

При зберіганні акумуляторної батареї понад 30 днів: Зберігати акумуляторну батарею при температурі приблизно 27 °C в сухому місці. Зберігати акумуляторну батарею в стані зарядки приблизно 30-50 %. Кожні 6 місяців знову заряджати акумуляторну батарею.

## ЗАХИСТ АКУМУЛЯТОРНОЇ БАТАРЕЇ ВІД ПЕРЕВАНТАЖЕННЯ

При перевантаженні акумуляторної батареї внаслідок занадто великого споживання струму, наприклад, при занадто високому крутильному моменті, заклинюванні пилкового диску, раптовій зупинці або короткому замиканню, електроінструмент зупиняється на 2 секунди та самостійно вимикається.

Для повторного увімкнення відпустити кнопку вимикача і знов увімкнути.

При надзвичайному навантаженні акумуляторна батарея може дуже сильно нагрітись. В такому випадку акумуляторна батарея вимикається..

## ТРАНСПОРТУВАННЯ ЛІТІЙ-ІОННИХ АКУМУЛЯТОРНИХ БАТАРЕЇ

Літій-іонні акумуляторні батареї підпадають під законоположення про перевезення небезпечних вантажів.

Транспортування таких акумуляторних батарей повинно відбуватися із дотриманням місцевих, національних та міжнародних приписів та положень.

• споживачі можуть без проблем транспортувати ці акумуляторні батареї по вулиці.

• Комерційне транспортування літій-іонних акумуляторних батарей експедиторськими компаніями підпадає під положення про транспортування небезпечних вантажів. Підготовку до відправлення та транспортування можуть здійснювати виключно особи, які пройшли відповідне навчання. Весь процес повинні контролювати кваліфіковані фахівці.

При транспортуванні акумуляторних батарей необхідно дотримуватись зазначених далі пунктів:


- Переконайтеся в тому, що контакти захищені та ізовані, щоб запобігти короткому замиканню.
  - Слідкуйте за тим, щоб акумуляторна батарея не переміщувалася всередині упаковки.
  - Пошкоджені акумуляторні батареї, або акумуляторні батареї, що потекли, не можна транспортувати.
- Для отримання подальших вказівок звертайтеся до своєї експедиторської компанії.


## ОБСЛУГОВУВАННЯ


Використовувати комплектуючі та запчастини тільки від Milwaukee. Деталі, заміна яких не описується, замінювати тільки в відділі обслуговування клієнтів Milwaukee (зверніть увагу на брошуру "Гарантія / адреси сервісних центрів").


У разі необхідності можна запросити креслення з зображенням вузлів машини в перспективному вигляді, для цього потрібно звернутися в ваш відділ обслуговування клієнтів або безпосередньо в Techtronic Industries GmbH, Max-Eyth-Straße 10, 71364 Winnenden, Німеччина, та вказати тип машини та шестизначний номер на фірмовій табличці з даними машини.

## СИМВОЛИ


 УВАГА! ПОПЕРЕДЖЕННЯ! НЕБЕЗПЕЧНО!


 Перед будь-якими роботами на машині виїняти змінну акумуляторну батарею

 Уважно прочитайте інструкцію з експлуатації перед введенням приладу в дію.

 Електроприлади, батареї/акумулятори зборонено утилізувати разом з побутовим сміттям.  
Електричні прилади і акумулятори слід збирати окремо і здавати в спеціалізовану компанію для утилізації відповідно до норм охорони довкілля. Зверніться до місцевих органів або до вашого дилера, щоб отримати адреси пунктів вторинної переробки та пунктів прийому.

 Знак CE

 Національний знак відповідності для України

 Знак відповідності для Європи та Азії EurAsian



| البيانات التقنية                             | الخلاط اليدوي بدون كابل                        |
|--|--|
| إنتاج عدد                                    | M18 FPM<br>4589 32 01.....<br>000001-999999... |
| أقصى سرعة دون وجود حمل                       | min¹ 0-550.....                                |
| مقبض الجهاز                                  | M14.....                                       |
| أقصى قطر للخلاط                              | mm 120.....                                    |
| أقصى كمية خلط يتصح بها                       | l 20.....                                      |
| فولطية البطارية                              | V 18.....                                      |
| وزن الجهاز بالبطارية                         | kg 2,3.....                                    |
| الوزن وفقا لنهج EPTA رقم 01/2003             |  |
| مع بطارية 1,5/2,0 أمبير/ ساعة                | kg 2,6.....                                    |
| مع بطارية 3,0/4,0 أمبير/ ساعة                | kg 3,0.....                                    |
| مع بطارية 9,0 أمبير/ ساعة                    | kg 3,4.....                                    |
| درجة حرارة الجو المحيط المسموح بها عند الشحن | C° +50 ... 0.....                              |
| عند التشغيل والحفظ                           | C° +50 ... -18.....                            |
| البطاريات المتوصح بها                        | M18B.....                                      |
| جهاز الشحن المتوصح به                        | M12-18C, M12-18FC, M12-18AC.....               |

#### معلومات الضوضاء/الذبذبات

|   |                  |
|---|------------------|
| القيم التي تم قياسها محددة وفقا للمعايير الأوروبية EN 61029 |                  |
| مستويات ضوضاء الجهاز، ترجيحاً A بشكل نمذجي كالتالي:         |                  |
| مستوى ضغط الصوت (الترتيب في القياس = 3 ديسيبل (A))          | dB (A) 70,7..... |
| مستوى شدة الصوت (الترتيب في القياس = 3 ديسيبل (A))          | dB (A) 81,7..... |

#### ارتد واقيات الأذن!

قيم الذبذبات الإجمالي (مجموع الكميات الموجبة في المحاور الثلاثة) محددة وفقاً للمعايير الأوروبية

|  |               |
|--|---------------|
| EN 62841                               |               |
| قيمة انبعاث الذبذبات (a <sub>w</sub> ) | m/s² 1,2..... |
| الترتيب في القياس                      | m/s² 1,5..... |

#### تحذير!

تم قياس مستوى انبعاث الذبذبات الموجود بوثيقة المعلومات هذه وفقاً للاختبار القياسي وفقاً للمعايير الأوروبية EN 62841 ويمكن استخدامه لمقارنة جهاز بغيره. كما يمكن استخدامه لعرض تقييم تمهيدي. يمثل مستوى انبعاث الذبذبات المعطن عنه تطبيقات الجهاز الرئيسية. بالرغم من ذلك، فإنه إذا ما تم استخدام الجهاز لتطبيقات مختلفة، فملحقات مختلفة أو لم يتم المحافظة عليه، فقد يختلف انبعاث الذبذبات. قد يزيد ذلك بصورة كبيرة من مستوى التعرض للذبذبات طوال فترة العمل الإجمالية.

يجب الوضع في الاعتبار عند تقدير مستوى التعرض للذبذبات مرات إيقاف الجهاز أو تشغيله لكيلا دون استخدامه في القيام بعمه. فقد يقل ذلك بصورة كبيرة من مستوى التعرض للذبذبات طوال فترة العمل الإجمالية.

تعرف على معايير السلامة الإضافية لحماية المشغل من آثار الذبذبات مثل: صيانة الجهاز والملحقات، الحفاظ على دفء الأيدي، وتنظيم نماذج العمل.

**تحذير! اقرأ جميع تحذيرات الأمان والتعليمات والصور والموصفات الواردة مع هذه المعدة الكهربائية.** المخالفة في اتباع التعليمات المذكورة أسفله قد يكون نتيجتها صدمة كهربائية، حريق و / أو إصابة بالغة.

#### الإرشادات التحذيرية الخاصة بالخلاط اليدوي

قم بإمسك الجهاز بكلا اليدين من المقيضين المخصصين لذلك. عند فقدان السيطرة على الجهاز يكون هناك خطر التعرض للإصابة.

**عند خلط مواد قابلة للاشتعال يجب مراعاة وجود تهوية كافية، حتى لا يكون تتعرض لخطر الانفجار.** البخار الناتج قد يتم اشتقاقه، أو قد يتسبب في اندلاع النيران نتيجة لتلشر الناتج عن الأجهزة الكهربائية.

لا يستخدم مع المواد الغذائية. هذا الجهاز وملحقاته غير مخصصون لتحضير المواد الغذائية.

تأمين وعاء الخلط في موضع ثابت. الوعاء غير المؤمن بطريقة صحيحة قد ينزلق فجأة.

تأكد من عدم رش أية سوائل تجاه مبيت الجهاز الكهربائي. قد يتسبب دخول السوائل إلى الجهاز الكهربائي في نشوب أضرار. وقد تؤدي إلى الإصابة بصدمة كهربائية.

مراعاة التعليمات والإرشادات التحذيرية المسارية على مواد الخلط. قد تكون المواد المخلوطة مضرّة.

لا تدخل يديك في وعاء الخلط، لا تدخل أي شيء في الوعاء أثناء عملية الخلط. يمكن أن يسبب التلامس مع الخلاط في حدوث إصابات حادة.

شغل الجهاز في وعاء الخلط فقط وإطفاء فيه كذلك. قد ينحني الخلاط أو يلف بطريقة غير محكمة.

#### إرشادات أمان وعمل إضافية

استخدم معدة الوقاية. ارتد دائماً نظارة الوقاية عند العمل بالألة. ينصح باستخدام الملابس الواقية مثل الكمامات الواقية من الغبار، والقفازات، والأحذية القوية غير المنزلقة، والبخوذات، وواقيات الأذن.

قد تكون الأتربة الناتجة عن استخدام هذه الألة ضارة بالصحة. لا تستنشق هذه الأتربة. ارتد قناعاً واقياً من الأتربة مناسباً.

لا يجوز استخدام مواد ينجم عنها أضرار على الصحة (حريز صخري).

#### إعلان المطابقة - الاتحاد الأوروبي

بموجب هذا نقر على مسؤوليتنا المنفردة، أن المنتج المذكور الموصوف تحت "البيانات الفنية" يلبي جميع التعليمات الهامة الخاصة بالمعايير  
2011/65/EU (RoHS), 2014/30/EU, 2006/42/EG  
ويتطابق مع وثائق المعايير المتوافقة التالية:

EN 6284 1-1:2015  
EN 6284 1-2-1:2010  
EN 6284 1-2-10:2016  
EN 55014-1:2006 + A1:2009 + A2:2011  
EN 55014-2:2015  
EN 50581:2012

Winnenden, 2017-08-31

  
Alexander Krug  
Managing Director

معمتدة للمطابقة مع الملف الفني

Techtronic Industries GmbH  
Max-Eyth-Straße 10  
Winnenden 71364  
Germany

#### البطاريات

يجب إعادة شحن البطارية غير المستخدمة لفترة قبل الاستخدام.

نقل درجات الحرارة التي تتجاوز 50°سيلزيوس (122°فهرنهايت) من أداء البطارية. تجنب التعرض الزائد للحرارة أو أشعة الشمس (خطر التسخين)..

يجب الحفاظ على محتويات الشواحن و البطاريات نظيفة.

للحصول على فترة استخدام مثالية، يجب شحن البطاريات تماماً، بعد الاستخدام.

للحصول على أطول عمر ممكن للبطارية، انزع البطارية من الشاحن بمجرد شحنها تماماً.

لتخزين البطارية أكثر من 30 يوم:

خزن البطارية بحيث تكون درجة الحرارة أقل من 27° سيلزيوس وبعيدا عن أي رطوبة  
خزن البطارية مشحونة بنسبة تتراوح بين 30 -50 %  
اشحن البطارية كالمعتاد، وذلك كل ستة أشهر من التخزين.

#### حماية البطارية

في المواقف التي يكون فيها عزم الدوران عال بشدة، وإعاقة الحركة والتباطؤ والقصور في الدائرة الكهربائية الذي ينتج عنه سحب لئدر كبير من التيار الكهربائي، تتميز الآلة لمدة 2 ثانية ثم تتوقف عن العمل.

لإعادة الضبط، حرر الزناد.

في الظروف القصوى للعمل، قد ترتفع درجة حرارة البطارية الداخلية بشدة. إذا ما حدث ذلك، ستوقف البطارية عن العمل.

#### نقل بطاريات الليثيوم

تخضع بطاريات الليثيوم أيون لشروط قوانين نقل السلع الخطرة.

ويجب نقل هذه البطاريات وفقاً للأحكام والقوانين المحلية والوطنية والدولية.

- يمكن للمستخدم نقل البطاريات برأ دون الخضوع لشروط أخرى.
- يخضع النقل التجاري لبطاريات الليثيوم أيون عن طريق الغير إلى قوانين نقل السلع الخطرة.
- يتعين أن يقوم أفراد مدربون جيداً بإعداد لعملية النقل والقيام بها بصحبة خبراء متعلم.

متى تُنقل البطاريات:

- عند التأكد من حماية أطراف توصيل البطارية وعزلها تجنباً لحدوث قصر بالدائرة.
- عند التأكد من حماية حزمة البطارية من الحركة داخل صندوق التعبئة.
- يُرعى عدم نقل البطاريات التي بها تشققات أو تسربات.

يُرعى البحث مع شركة الشحن عن نصيحة أخرى

#### الصيانة

استخدم فقط ملحقات ميلوكي وكذلك قطع غيار ميلوكي. إذا كانت المكونات التي يجب تغييرها غير مذكورة، يرجى الاتصال بأحد عملاء صيانة ميلوكي (انظر قائمة عناوين الضمان/الصيانة الخاصة بنا).

عند الحاجة يمكن طلب رمز انفجار الجهاز بعد ذكر طراز الآلة والرقم المداسي المذكور على بطاقة طاقة الآلة لدى جهة خدمة العملاء أو مياشرة لدى شركة  
Techtronic Industries GmbH, Max-Eyth-Straße 10, 71364  
Winnenden, ألمانيا

#### زومرلا

تنبيه! تحذير! خطر!

افضل دائما القاييس عن المقيس قبل تنفيذ أي عمل بالاجاز.

يرجى قراءة التعليمات بعناية قبل بدء تشغيل الجهاز.



العلامة الوطنية للمطابقة الأوكرائية

علامة المطابقة الأوروبية



Copyright 2017  
Techtronic Industries GmbH  
Max-Eyth-Straße 10 71364  
Winnenden  
Germany  
+49 (0) 7195-12-0



(08.17)

**4931 4149 06**