

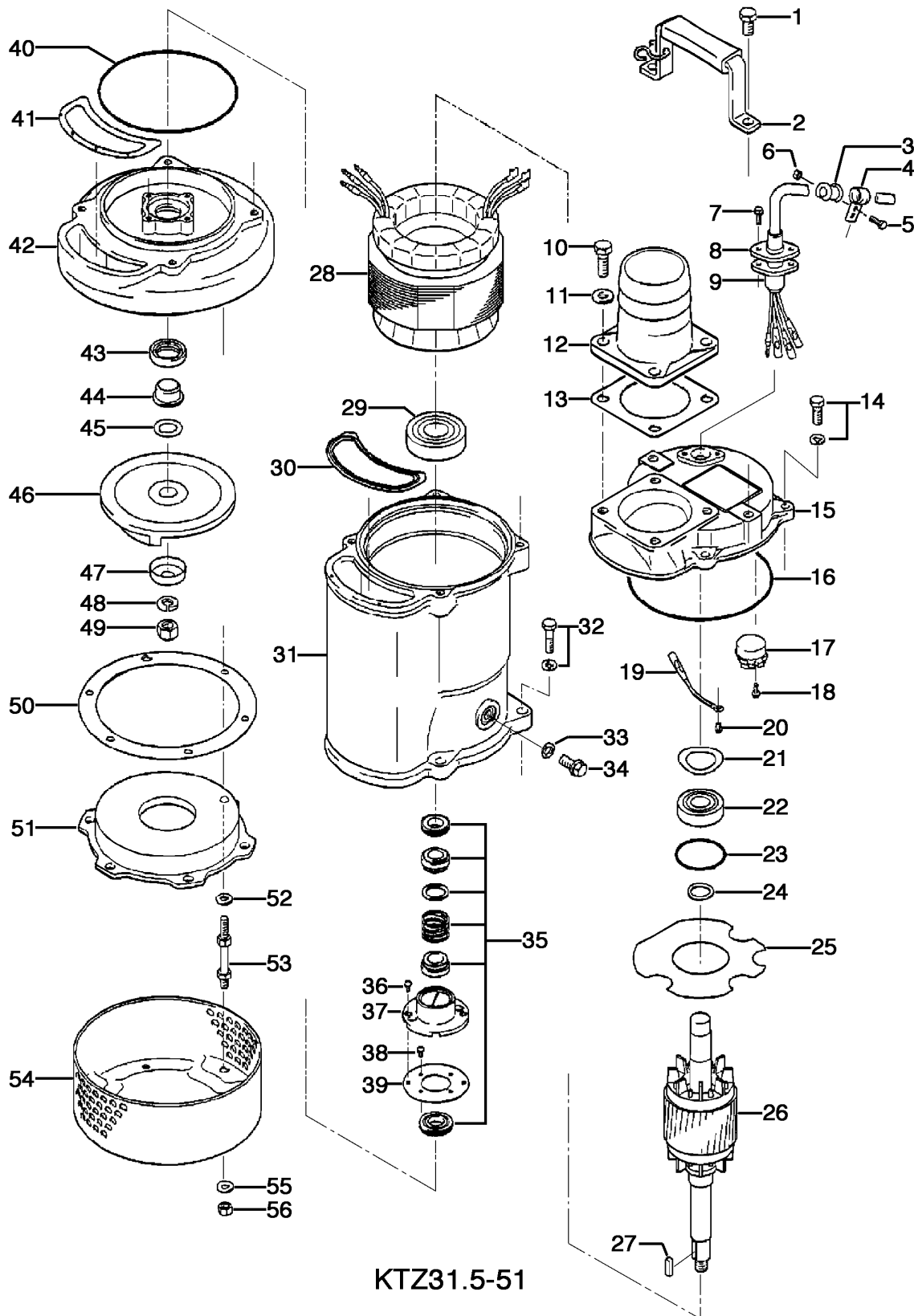
**KTZ31.5-51**

Kontroll-Nr. --

2014-04-09 V.15 / 1.10.2012

KTZ31.5-51			
Item	Item no.	Description	Quant.
1	140-074-15	Hex.Bolt M10x20 SUS304 (EN X5CrNi18-10) Stainless Steel	2
2	068-000-33	Handle KTZ21.5/32.2( w/Shackle) SPC+NBR	1
3	010-126-17	Cable Clip Rubber HS2 NBR	1
4	010-105-10	Cable Clip SB SPC	1
5	140-018-37	Hex.Bolt M5x15 SWRM	1
6	141-003-58	Hex.Nut M5 SWRM	1
7	140-427-17	Hex.Bolt M5 SWRM	2
8	003-190-10	Gland EN X5CrNiMo17-2-2	1
9	001-TEG-31	Cabtyre Cable Set (20m) H07RN-F4Cx1,5mm² with gland	1
9	M01-TEG-31	Cabtyre Cable Set (20m) NSSHÖU 4Cx1,5mm²	1
10	140-076-59	Hex.Bolt M10x30 SUS410 (EN X12Cr13) Stainless Steel	4
11	142-128-24	Plain Washer M10 (SPC)	4
12	032-116-12	Hose Coupling 80mm(15L) ADC	1
12	032-435-10	Hose Coupling (for EUR)KTZ(BSPT-3) FC	1
13	121-181-17	Packing KT-15 NBR	1
14	140-488-16	Hex.Bolt (w/Spring Washer) M8x30 SUS304 (EN X5CrNi18-10) Stainless Steel	4
15	050-421-19	Motor Bracket FC	1
16	122-140-17	O-Ring G-145 NBR	1
17	053-471-13	Motor Protector 380-420V-50HZ 380-460V-60HZ KA311-DPWJ78 (T.C)	1
18	143-126-12	Pan Screw (w/Spring Washer/Plain Washer) M4x12 SWRM	2
19	009-292-11	Earth Terminal 1.25mmx140L	1
20	143-085-34	Cross-Recessed Pan Screw (BSW)	1
21	142-389-12	Wave Washer #6204 SK-5	1
22	052-103-18	Bearing 6204ZZC3	1
23	122-293-16	O-Ring 47x43.1 NBR	1
24	061-174-18	Slinger d20xd27x2t SPC	1
25	058-000-13	Lead Wire Protection Plate d61xd136x2t (Resin)	1
26	055-705-15	Rotor	1
27	147-017-11	Impeller Key 5x5x20l SUS	1
28	056-001-14	Stator 380/400/415V-50HZ	1
29	052-108-13	Bearing 6305ZZC3	1
30	121-507-13	Packing (Water Way, Upp.) KTZ21.5/32.2 NBR	1
31	064-000-10	Motor Frame (FC)	1
32	140-488-16	Hex.Bolt (w/Spring Washer) M8x30 SUS304 (EN X5CrNi18-10) Stainless Steel	4
33	121-246-11	Packing d10.3xd16x2t PE	1
34	035-000-01	Oil PlugM10x16(B=13) EN X5CrNi18-10	1
34	035-125-13	Oil Plug M10x20(B=13) SUS304 (EN X5CrNi18-10) Stainless Steel	1
35	025-243-17	Mechanical Seal H-20T SIC	1
36	143-070-10	Pan Screw M5x6 SWRM	2
37	030-144-13	Oil Lifter H-20(A)(T) Resin	1
38	143-070-10	Pan Screw M5x6 SWRM	4
39	030-154-16	Seal Stopper H-20T SPCC	1
40	122-139-13	O-Ring G-140 NBR	1
41	121-501-17	Packing (Water Way, Low.) KTZ21.5/22.2 NBR	1
42	022-00-53		1
42	020-001-01	Pump Casing KTZ21.5/32.2 FC	1
43	026-105-19	Oil Seal TC-25388 NBR	1
43	026-105-19	Oil Seal TC-25388 NBR	1
44	071-314-13	Shaft Sleeve d20xd25x16l SUS304 (EN X5CrNi18-10) Stainless Steel	1
45	040-104-25	Impeller Shim d18.2xd29x0.3t SUS304 (EN X5CrNi18-10) Stainless Steel	1
46	021-552-23	Impeller (15L) 15L HiCrFC	1
47	047-113-28	Impeller Thread Protect.Cover No.3A(13.5) SUS304 (EN X5CrNi18-10) Stainless Steel	1
48	142-165-10	Spring Washer M12 SUS304 (EN X5CrNi18-10)	1
49	141-032-14	Hex.Cap Nut M12 SUS304	1
50	120-110-12	Packing (S.Cover) d150xd186x0.3t PE	1
51	022-000-53	Suction Cover KTZ31.5/32.2 (FCD)	1
51	022-000-53	Suction Cover KTZ31.5/32.2 (FCD)	1
52	142-127-23	Plain Washer M8 SPC	3
53	144-492-15	Stud Bolt M8x85(12/30) SUS410 (EN X12Cr13) Stainless Steel	3
54	023-472-11	Strainer Stand KTZ21.5/32.2 SPCC	1
55	142-127-23	Plain Washer M8 SPC	3
56	141-005-89	Hex.Nut M8 SWRM	3
	173-513-13	Packing & O-Ring Set	1
	##oilVG32	ml Turbine Oil ISO VG32	740

# Exploded View KTZ31.5-51



KTZ31.5-51