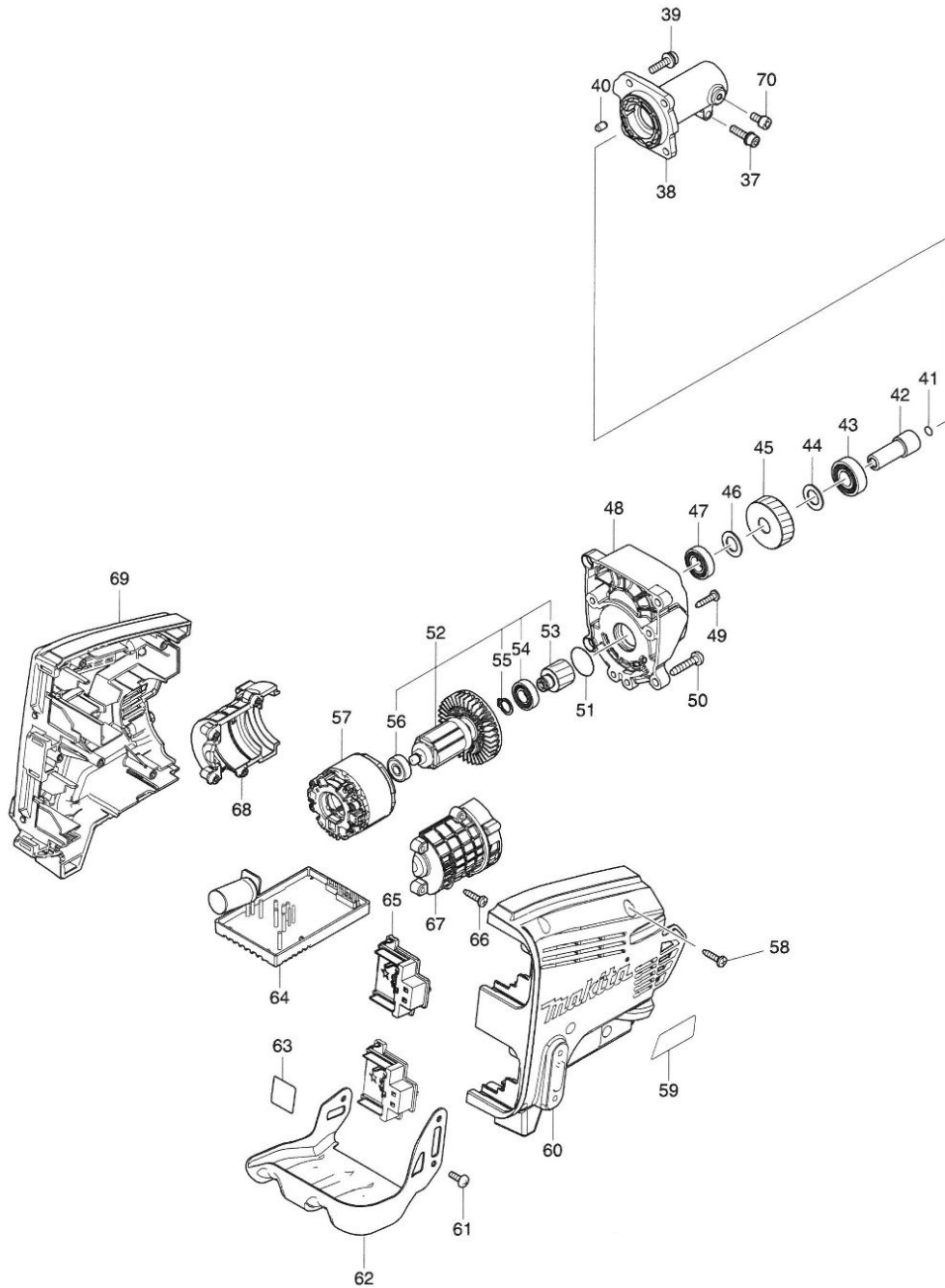
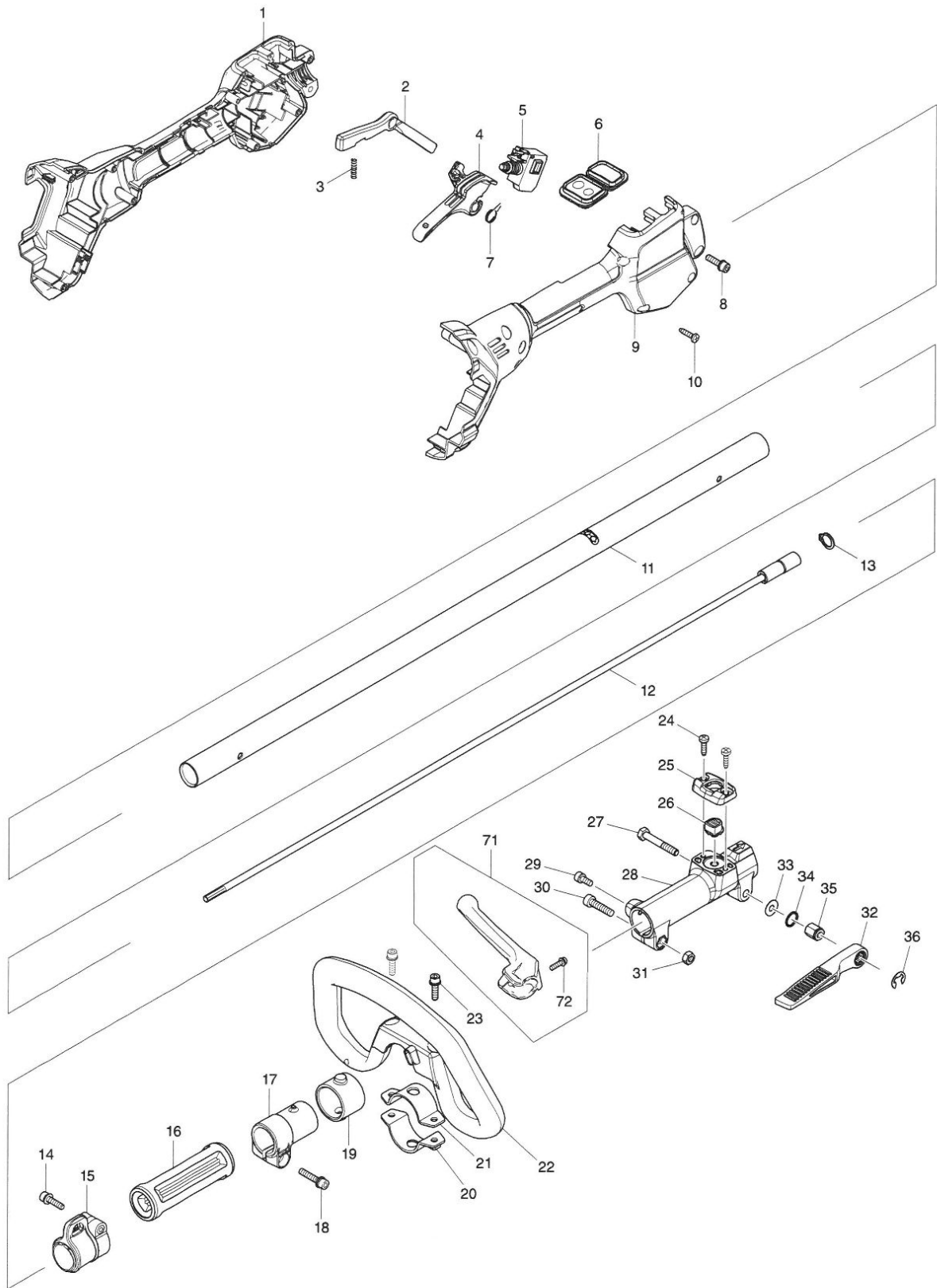


Modelnummer DUX60 CRDLS MULTI FNCTN POWER HEAD



Modelnummer DUX60 CRDLSS MULTI FNCTN POWER HEAD





Modelnummer DUX60 CRDLSS MULTI FNCTN POWER HEAD

| Artikel | Reservedelsnr | Beskrivelse | I/C | Qty | N/O | Opt. 1 | Opt. 2 | Note |
|---------|---------------|-----------------------------|-----|-----|-----|--------|--------|------|
| 042 | 325811-5 | SPINDLE HUB | | 1 | | | | |
| 043 | 211148-5 | BALL BEARING 6001ZZ | | 1 | | | | |
| 044 | 253744-3 | FLAT WASHER 12 | | 1 | | | | |
| 045 | 227720-3 | HELICAL GEAR 33 | | 1 | | | | |
| 046 | 253744-3 | FLAT WASHER 12 | | 1 | | | | |
| 047 | 211150-8 | BALL BEARING 6901ZZ | | 1 | | | | |
| 048 | 319608-2 | GEAR BOX | | 1 | | | | |
| 049 | 266326-2 | TAPPING SCREW 4X18 | | 4 | | | | |
| 050 | 266041-8 | TAPPING SCREW 5X25 | | 4 | | | | |
| 051 | 213961-7 | O RING 22 | | 1 | | | | |
| 052 | 519447-2 | ROTOR ASS'Y | | 1 | | | | |
| D10 | | INC. 53-56 | | | | | | |
| 053 | 227721-1 | HELICAL GEAR 16 | | 1 | | | | |
| 054 | 210069-8 | BALL BEARING 6900DDW | | 1 | | | | |
| 055 | 961006-2 | RETAINING RING S-10 | | 1 | | | | |
| 056 | 210062-2 | BALL BEARING 607ZZ | | 1 | | | | |
| 057 | 629269-3 | STATOR | | 1 | | | | |
| 058 | 266326-2 | TAPPING SCREW 4X18 | | 6 | | | | |
| 059 | 853S61-1 | DUX60 NAME PLATE | | 1 | | | | |
| 060 | 183G29-4 | HOUSING SET | | 1 | | | | |
| C10 | 263005-3 | RUBBER PIN 6 | | 4 | | | | |
| C20 | 252126-6 | HEX. LOCKING NUT M4-7 | | 3 | | | | |
| D10 | | INC. 69 | | | | | | |
| 061 | 251314-2 | + SCREW M4X12 | | 3 | | | | |
| 062 | 346858-6 | BATTERY GUARD | | 1 | | | | |
| 063 | 853S66-1 | DUX60 SERIAL NO. LABEL | | 1 | | | | |
| 064 | 620676-3 | CONTROLLER | | 1 | | | | |
| 065 | 644809-6 | TERMINAL | | 2 | | | | |
| 066 | 266326-2 | TAPPING SCREW 4X18 | | 4 | | | | |
| 067 | 183G30-9 | MOTOR HOUSING SET | | 1 | | | | |
| D10 | | INC. 68 | | | | | | |
| 068 | 183G30-9 | MOTOR HOUSING SET | | 1 | | | | |
| D10 | | INC. 67 | | | | | | |
| 069 | 183G29-4 | HOUSING SET | | 1 | | | | |
| C10 | 263005-3 | RUBBER PIN 6 | | 4 | | | | |
| C20 | 252126-6 | HEX. LOCKING NUT M4-7 | | 3 | | | | |
| D10 | | INC. 60 | | | | | | |
| 070 | 922211-6 | HEX. SOCKET HEAD BOLT M5X12 | | 1 | | | | |
| 071 | 144315-6 | BARRIER COMPLETE | | 1 | | | | |
| D10 | | INC. 72 | | | | | | |
| 072 | 911128-8 | P.H.SCREW M4X16 WITH WR | | 1 | | | | |
| A01 | 125516-5 | BAND ASSEMBLY | | 1 | | | | |
| A02 | 783202-0 | HEX. WRENCH 4 | | 1 | | | | |
| A03B | 195246-2 | SAFETY GOGGLE | | 1 | | | | |
| A04 | 831304-7 | ACCESSORY BAG | | 1 | | | | |
| A05C | 782210-8 | SOCKET WRENCH 17 | | 1 | | | | |
| A06C | 126674-0 | CUTTER ASSEMBLY 95-M10L SET | | 1 | | | | |
| A07C | 456924-2 | TOOL COVER | | 1 | | | | |

Please order the parts with a part number.

Print Date 24/04/2017

Modelnummer DUX60 CRDLSS MULTI FNCTN POWER HEAD

Page 1 / 3

| Artikel | Reservedelsnr | Beskrivelse | I/C | Qty | N/O | Opt. 1 | Opt. 2 | Note |
|---------|---------------|-----------------------------|-----|-----|-----|--------|--------|------|
| 001 | 183G31-7 | GRIP SET | | 1 | | | | |
| | C10 | 931202-6 | | 1 | | | | |
| | D10 | | | | | | | |
| | | INC. 9 | | | | | | |
| 002 | 457773-0 | LOCK OFF LEVER | | 1 | | | | |
| 003 | 233101-1 | COMPRESSION SPRING 4 | | 1 | | | | |
| 004 | 457771-4 | SWITCH LEVER | | 1 | | | | |
| 005 | 650709-0 | SWITCH C3JW-1A-P | | 1 | | | | |
| 006 | 144570-0 | SUB CONTROLLER COMPLETE | | 1 | | | | |
| 007 | 233540-5 | TORSION SPRING 11 | | 1 | | | | |
| 008 | 922233-6 | HEX SOCKET HEAD BOLT M5X20 | | 1 | | | | |
| 009 | 183G31-7 | GRIP SET | | 1 | | | | |
| | C10 | 931202-6 | | 1 | | | | |
| | D10 | | | | | | | |
| | | INC. 1 | | | | | | |
| 010 | 266326-2 | TAPPING SCREW 4X18 | | 8 | | | | |
| 011 | 141499-1 | SHAFT PIPE B COMPLETE | | 1 | | | | |
| | C10 | 898125-0 | | 1 | | | | |
| | | CAUTION LABEL | | | | | | |
| 012 | 141238-9 | SHAFT B COMPLETE | | 1 | | | | |
| 013 | 961052-5 | RETAINING RING S-12 | | 1 | | | | |
| 014 | 922233-6 | HEX SOCKET HEAD BOLT M5X20 | | 1 | | | | |
| 015 | 168478-4 | HANGER | | 1 | | | | |
| | C10 | 931202-6 | | 1 | | | | |
| | | HEX. NUT M5 | | | | | | |
| 016 | 451601-1 | SPACER 24 | | 1 | | | | |
| 017 | 457269-1 | PIPE HOLDER 24 | | 1 | | | | |
| 018 | 922244-1 | H.S.H.BOLT M5X25 WITH WG | | 1 | | | | |
| 019 | 424942-8 | DAMPER | | 1 | | | | |
| 020 | 347114-7 | LOWER CLAMP 35 | | 1 | | | | |
| 021 | 347113-9 | UPPER CLAMP 35 | | 1 | | | | |
| 022 | 457772-2 | LOOP HANDLE | | 1 | | | | |
| | C10 | 263005-3 | | 1 | | | | |
| | | RUBBER PIN 6 | | | | | | |
| 023 | 922233-6 | HEX SOCKET HEAD BOLT M5X20 | | 2 | | | | |
| 024 | 266034-5 | TAPPING SCREW CT 4X16 | | 2 | | | | |
| 025 | 452840-6 | RELEASE BUTTON COVER | | 1 | | | | |
| 026 | 452839-1 | RELEASE BUTTON | | 1 | | | | |
| 027 | 265596-0 | HEX.BOLT M6X40 | | 1 | | | | |
| 028 | 318750-6 | JOINT 24 | | 1 | | | | |
| 029 | 922211-6 | HEX. SOCKET HEAD BOLT M5X12 | | 1 | | | | |
| 030 | 922342-1 | HEX. SOCKET HEAD BOLT M6X25 | | 1 | | | | |
| 031 | 931302-2 | HEX. NUT M6 | | 1 | | | | |
| 032 | 272268-0 | LEVER 94 | | 1 | | | | |
| 033 | 253332-6 | THIN WASHER 6 | | 1 | | | | |
| 034 | 213105-9 | O RING 11 | | 1 | | | | |
| 035 | 252159-1 | HEX. NUT M6 | | 1 | | | | |
| 036 | 961014-3 | STOP RING E-8 | | 1 | | | | |
| 037 | 922233-6 | HEX SOCKET HEAD BOLT M5X20 | | 1 | | | | |
| 038 | 319609-0 | PIPE BRACKET | | 1 | | | | |
| 039 | 911233-1 | PAN HEAD SCREW M5X20 | | 4 | | | | |
| 040 | 263002-9 | RUBBER PIN 4 | | 1 | | | | |
| 041 | 213045-1 | O-RING 6 | | 1 | | | | |

Please order the parts with a part number.

Print Date 24/04/2017



Modelnummer DUX60 CRDLSS MULTI FNCTN POWER HEAD

| Artikel | Reservedelsnr | Beskrivelse | I/C | Qty | N/O | Opt. 1 | Opt. 2 | Note |
|---------|---------------|-------------------------|-----|-----|-----|--------|--------|------|
| A08C | 195150-5 | CUTTER BLADE SET | | 1 | | | | |
| A09C | ***EM404MP | BRUSH CUTTER ATTACHMENT | | 1 | | | | |
| D10 | | INC. A05,A06 | | | | | | |
| A10C | 195638-5 | TOOL BAG SET | | 1 | | | | |
| | | | | | | | | |
| | | | | | | | | |
| | | | | | | | | |
| | | | | | | | | |
| | | | | | | | | |
| | | | | | | | | |
| | | | | | | | | |
| | | | | | | | | |
| | | | | | | | | |
| | | | | | | | | |
| | | | | | | | | |
| | | | | | | | | |
| | | | | | | | | |
| | | | | | | | | |
| | | | | | | | | |
| | | | | | | | | |
| | | | | | | | | |
| | | | | | | | | |
| | | | | | | | | |
| | | | | | | | | |
| | | | | | | | | |
| | | | | | | | | |
| | | | | | | | | |
| | | | | | | | | |
| | | | | | | | | |
| | | | | | | | | |
| | | | | | | | | |
| | | | | | | | | |
| | | | | | | | | |
| | | | | | | | | |
| | | | | | | | | |
| | | | | | | | | |
| | | | | | | | | |
| | | | | | | | | |
| | | | | | | | | |
| | | | | | | | | |
| | | | | | | | | |
| | | | | | | | | |
| | | | | | | | | |
| | | | | | | | | |
| | | | | | | | | |
| | | | | | | | | |
| | | | | | | | | |
| | | | | | | | | |
| | | | | | | | | |
| | | | | | | | | |
| | | | | | | | | |
| | | | | | | | | |
| | | | | | | | | |

Please order the parts with a part number.

Print Date 24/04/2017