

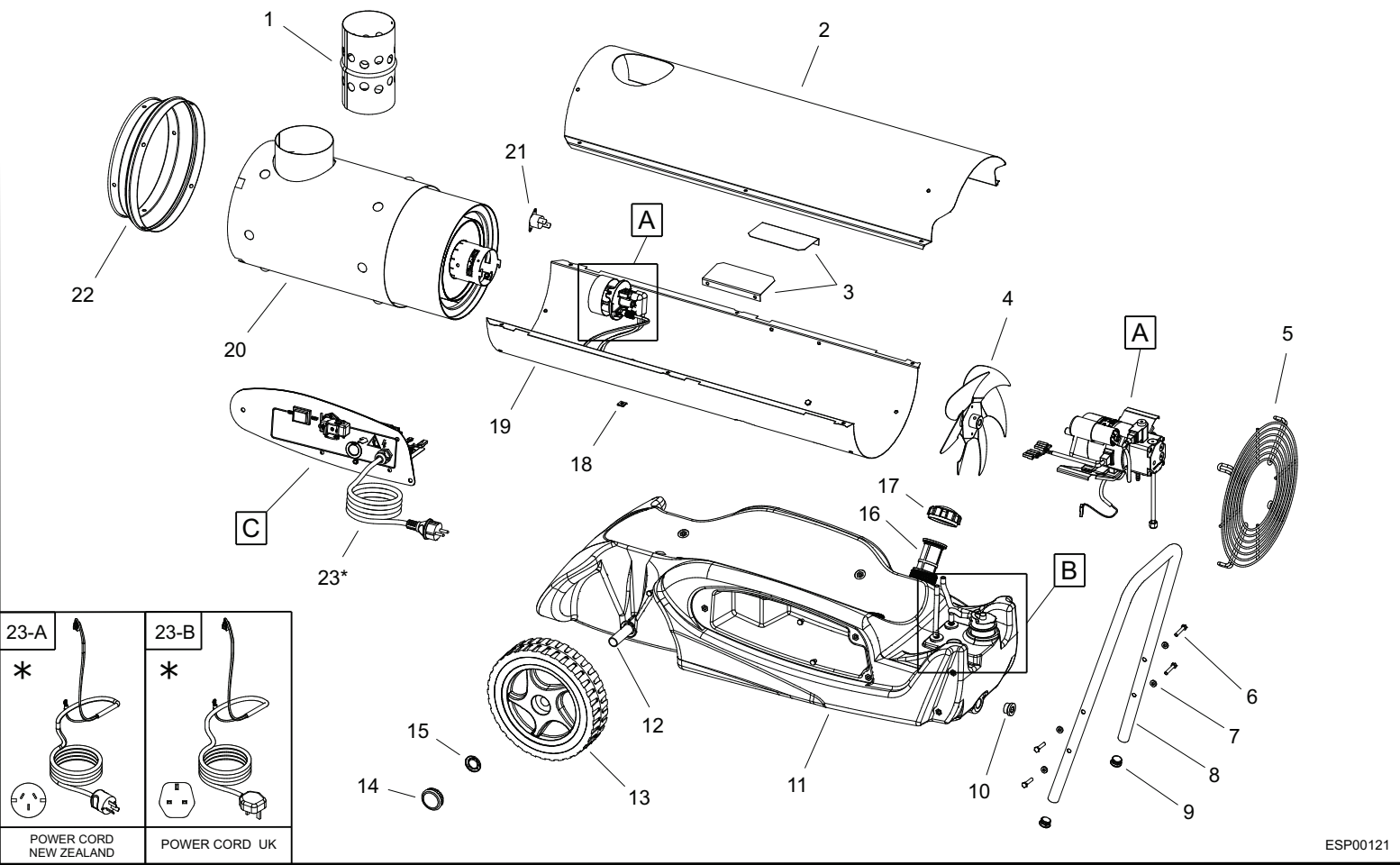
MODEL BV77 E

UNIT 1

ILLUSTRATED PARTS BREAKDOWN

From Serial Number: 06236000243

Rev. E - Apr. 2016



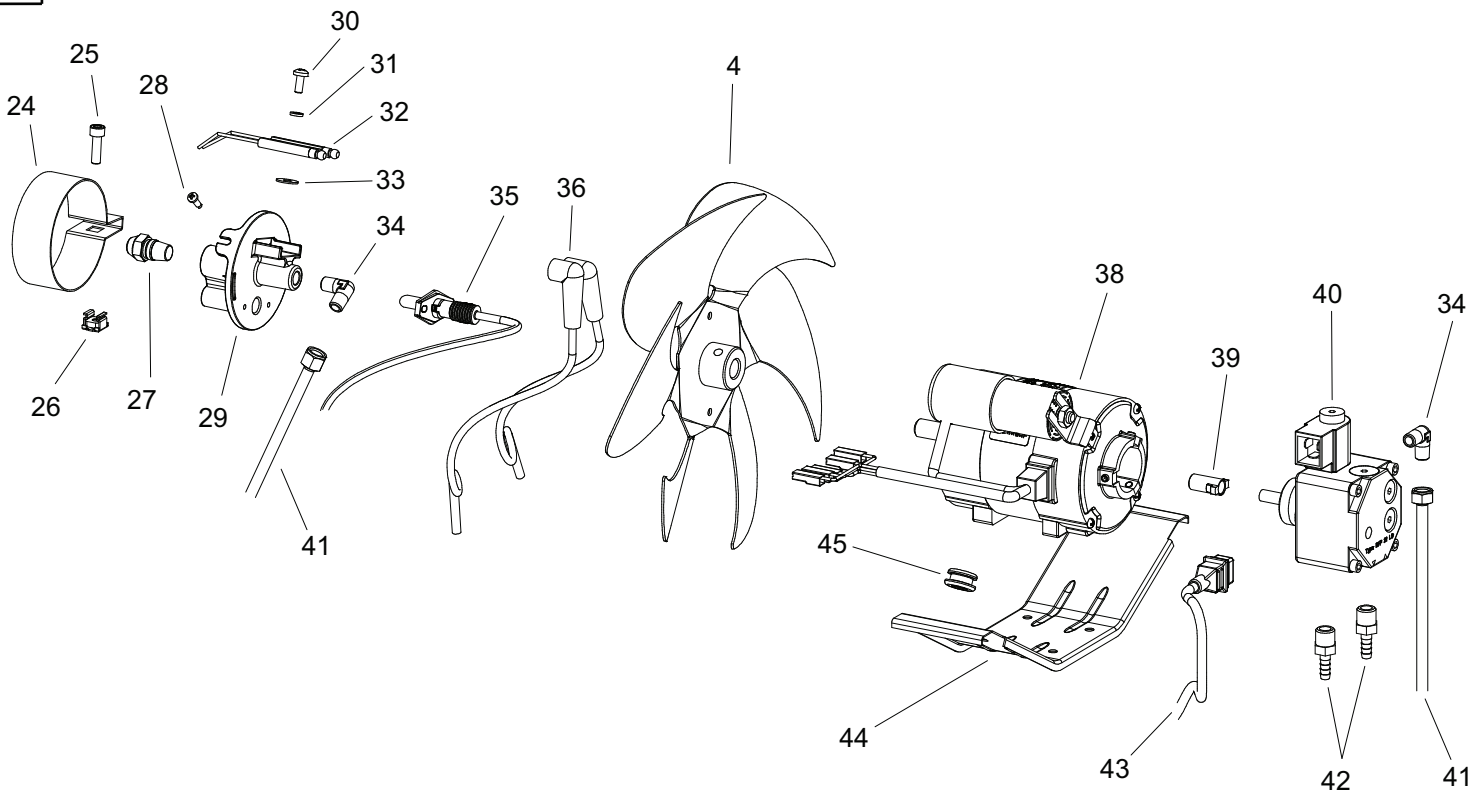
ESP00121

MODEL BV77 E

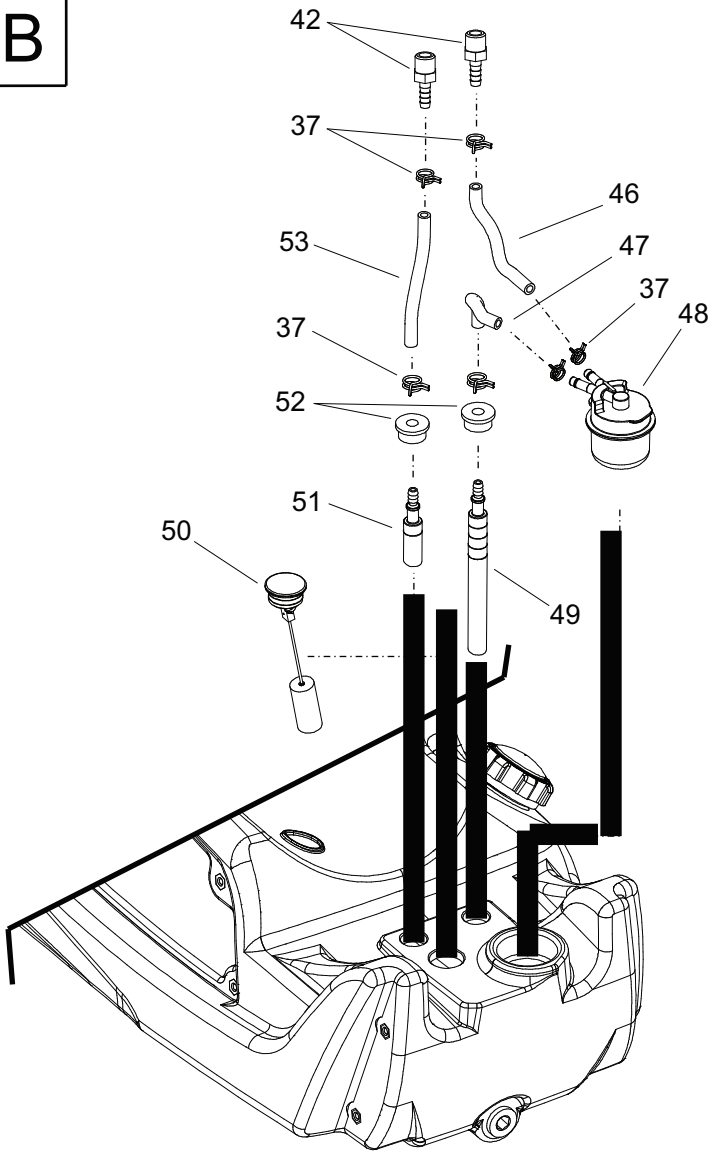
UNIT 2

ILLUSTRATED PARTS BREAKDOWN

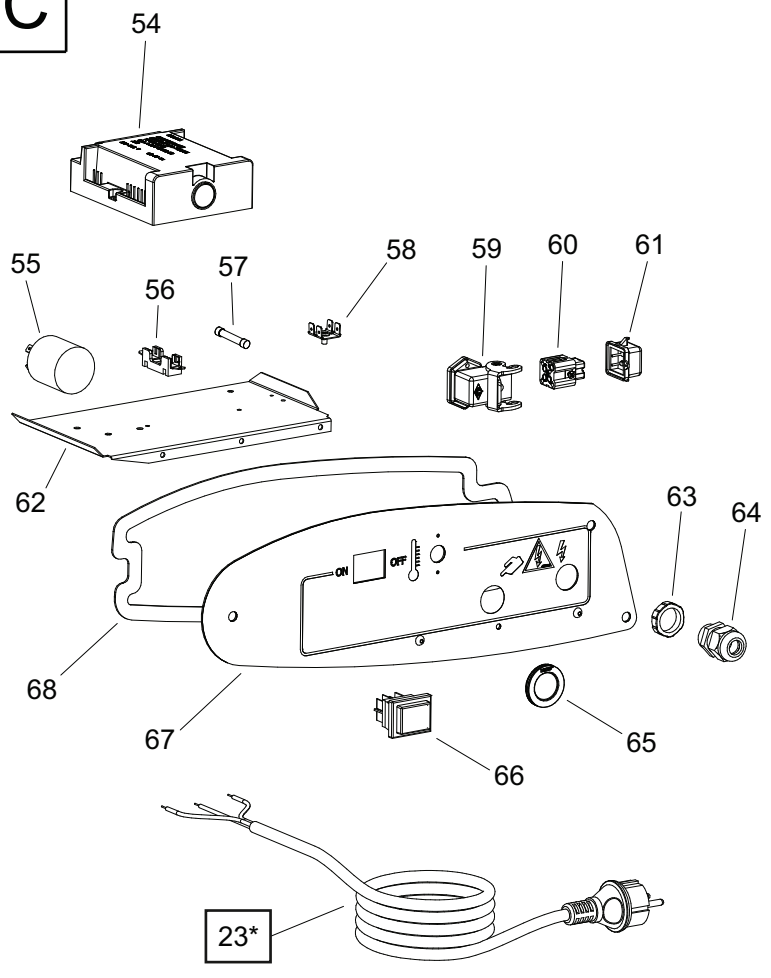
A



B



C



MODEL BV77 E

UNIT 3

PARTS LIST

Pos.	Code NR	Description	Rev. E - Apr. 2016
1	4032.387	CHIMNEY	
2	4032.832	UPPER SHELL	
3	4032.808	AIR FLAP	
4	4033.070	FAN	
5	4032.836	INLET GRID	
6	4140.665	SCREW	
7	4160.272	WASHER	
8	4032.386	HANDLE	
9	4032.979	CAP	
10	4032.813	DRAIN PLUG	
11	4033.267	TANK	
12	4032.389	AXLE	
13	4032.094	WHEEL	
14	4111.480	WHEEL CAP	
15	4111.072	WHEEL HOLDER	
16	4201.185	TANK FILTER	
17	4032.846	TANK CAP	
18	4104.170	CLIP NUT	
19	4032.834	LOWER SHELL	
20	4033.081	COMBUSTION CHAMBER	
21	4032.883	LIMIT THERMOSTAT	
22	4031.657	OUTLET CONE	
23*	4033.253	POWER CORD SCHUKO	
23-A	4033.252	POWER CORD NEW ZEALAND	
23-B	4033.302	POWER CORD UK	
24	4032.545	AIR REGULATION FLAP	
25	4032.455	SCREW	
26	4032.454	CAGE NUT	
27	4031.536	NOZZLE	
28	4161.956	SCREW	
29	4033.042	BURNER FLANGE	
30	4110.363	SCREW	
31	4110.393	AUTOLOCK WASHER	
32	4033.123	BIFILAR ELECTRODE	
33	4110.394	FIBER WASHER	
34	4033.198	ELBOW	
35	4032.776	PHOTOCELL KIT	
36	4031.048	HIGH TENSION CABLES	
37	4100.810	PIPE CLAMP	
38	4033.219	MOTOR	Alternative code: 4033.312
39	4111.081	COUPLING	
40	4111.042	PUMP	
41	4033.187	FLEXIBLE OIL PIPE	
42	4032.906	FITTING	
43	4032.342	SOLENOID SPOOL CORD	
44	4032.835	MOTOR BRACKET	
45	4032.947	CABLE PROTECTION	
46	4033.269	OIL PIPE FILTER-PUMP	
47	4033.268	OIL PIPE TANK-TANK FILTER	
48	4260.107	FUEL FILTER	
49	4110.355	OIL SUCTION LINE	
50	4260.099	FUEL GAUGE	
51	4033.038	OIL DISCHARGE LINE	
52	4100.541	RUBBER BUSHING	
53	4110.032	OIL DISCHARGE PIPE	

ESP00121

MODEL BV77 E

UNIT 4

PARTS LIST

Pos.	Code NR	Description	Rev. E - Apr. 2016
54	4033.017	IGNITION CONTROL	
55	4032.771	POWER LINE RFI FILTER	
56	4033.301	FUSE HOLDER	
57	4032.850	FUSE	
58	4160.639	POP RIVET TERMINAL 4 WAY	
59	4160.647	THERMOSTAT SOCKET 90°	
60	4161.400	CONNECTION PLUG	
61	4162.467	THERMOSTAT CAP	
62	4033.292	ELECTRICAL COMPONENTS BASE	
63	4100.656	NUT	
64	4150.528	STRAIN RELIEF	
65	4033.251	BOARD BUTTON CAP	
66	4165.204	SWITCH	
67	4033.272	ELECTRICAL PANEL	
	4033.273	ADHESIVE	
68	4033.274	PANEL GASKET	

RECOMMENDED SPARE PARTS

POS.	Code NR	Description	Rev. E - Apr. 2016
21	4032.883	LIMIT THERMOSTAT	
32	4033.123	BIFILAR ELECTRODE	
35	4032.776	PHOTOCELL	
36	4031.048	HIGH TENSION CABLES	
38	4033.219	MOTOR	Alternative code: 4033.312
39	4111.081	COUPLING	
40	4111.042	PUMP	
43	4032.342	SOLENOID SPOOL CORD	
48	4260.107	FUEL FILTER	
54	4033.017	IGNITION CONTROL	
55	4032.771	POWER LINE RFI FILTER	
57	4032.850	FUSE	
59	4160.647	THERMOSTAT SOCKET 90°	
61	4162.467	THERMOSTAT CAP	

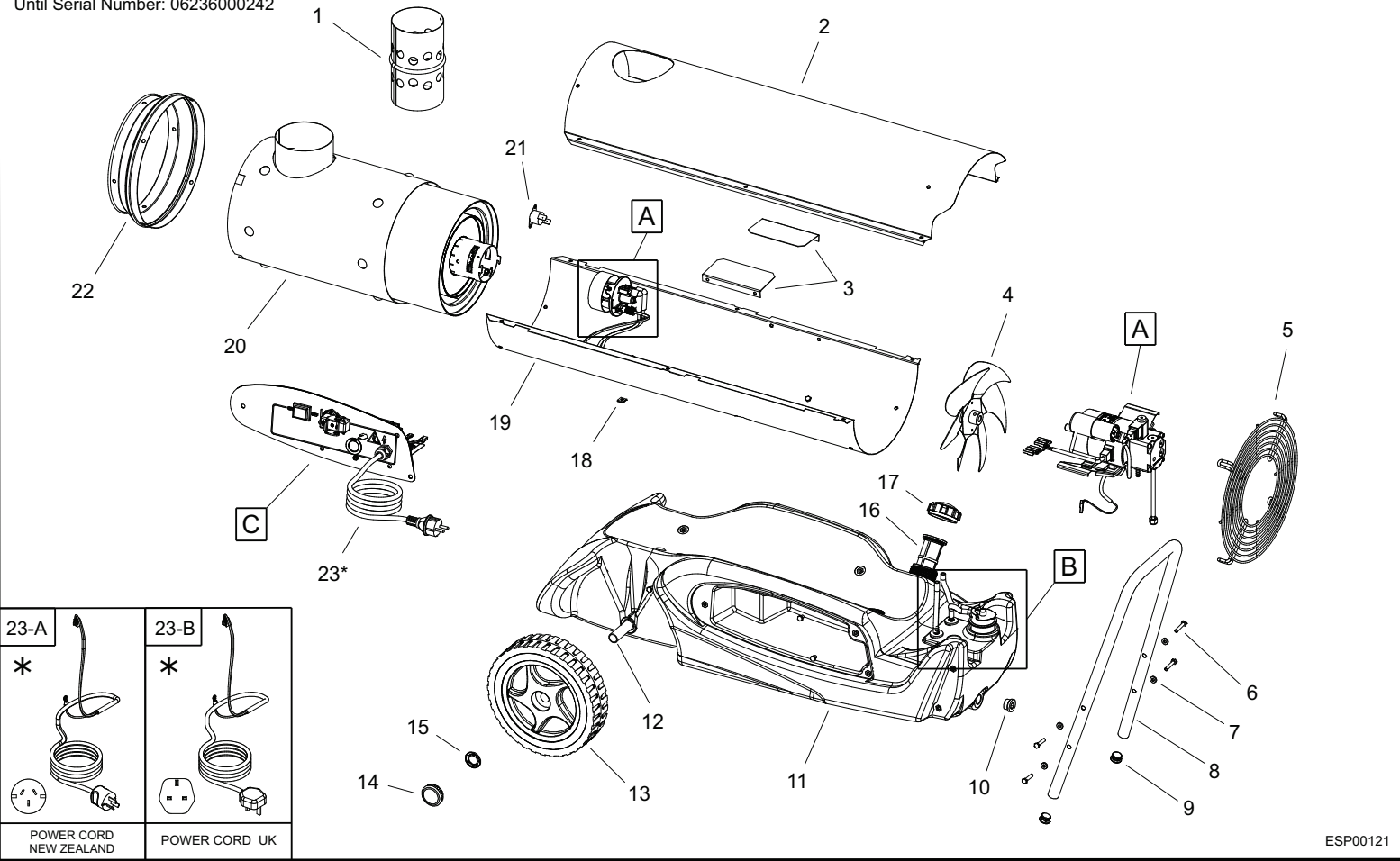
MODEL BV77 E

UNIT 1

ILLUSTRATED PARTS BREAKDOWN

From Serial Number: 04233000449
 Until Serial Number: 06236000242

Rev. D - May 2013

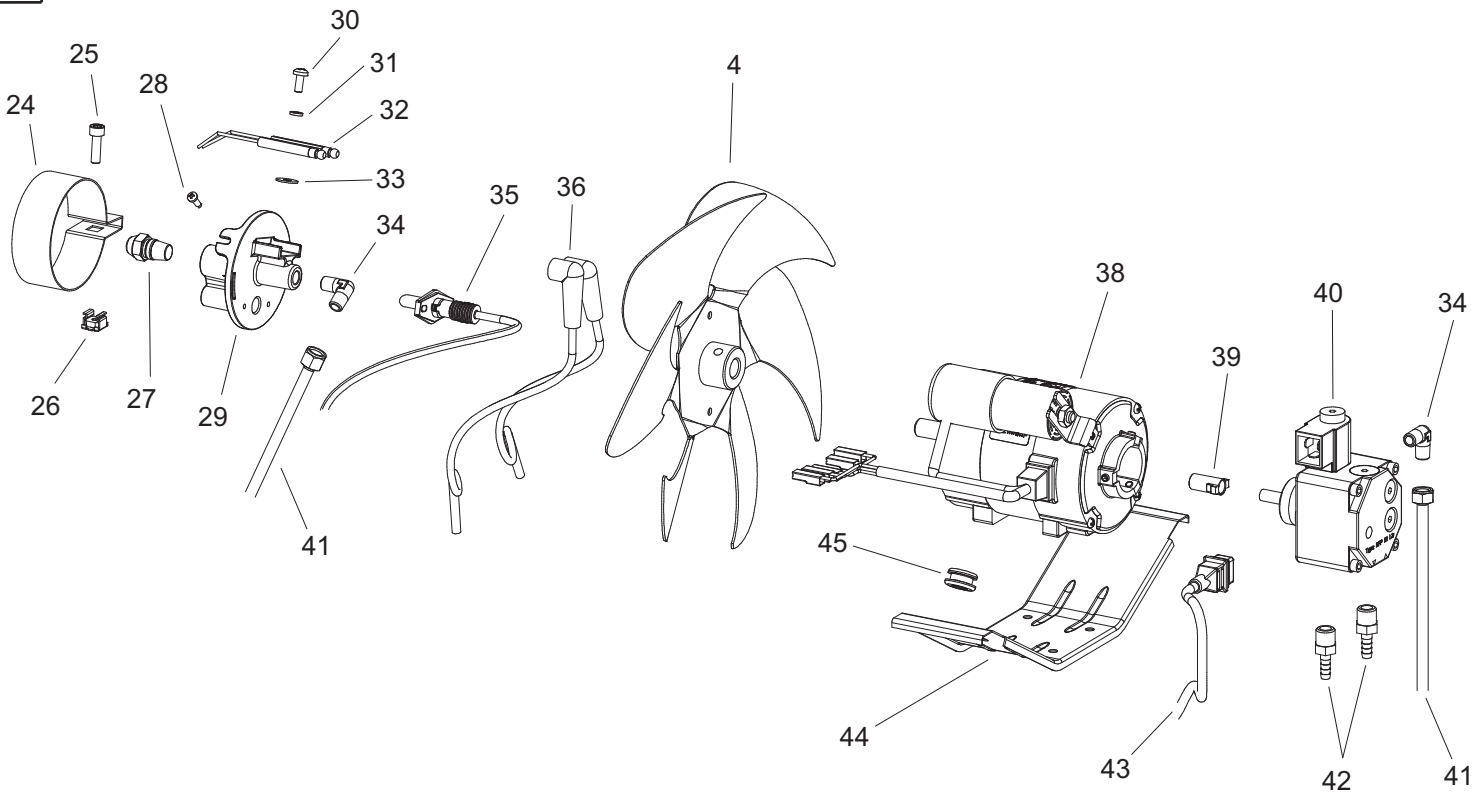


MODEL BV77 E

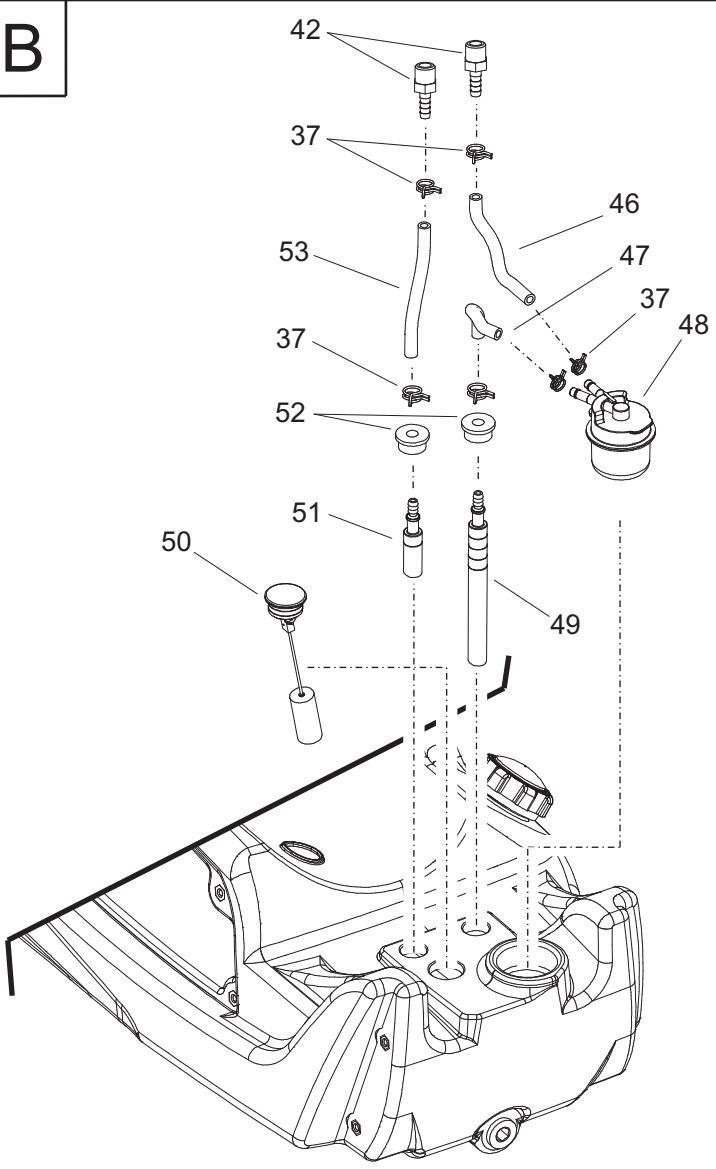
UNIT 2

ILLUSTRATED PARTS BREAKDOWN

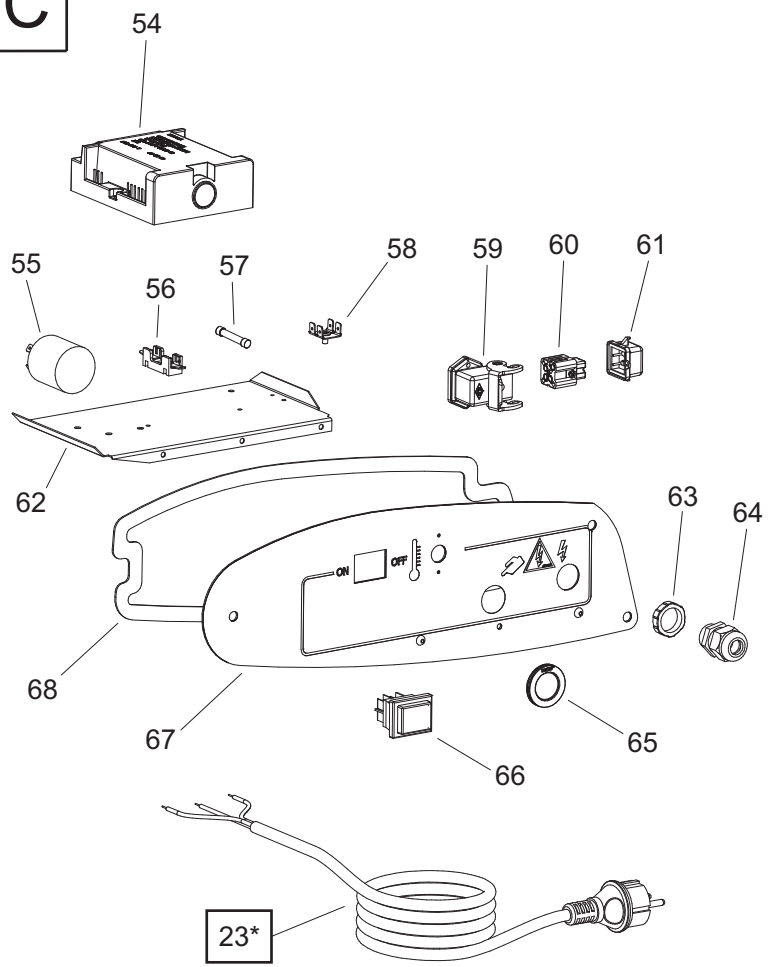
A



B



C



MODEL BV77 E

UNIT 3

PARTS LIST

Pos.	Code NR	Description	Rev. D - May 2013
1	4032.387	CHIMNEY	
2	4032.832	UPPER SHELL	
3	4032.808	AIR FLAP	
4	4033.070	FAN	
5	4032.836	INLET GRID	
6	4140.665	SCREW	
7	4160.272	WASHER	
8	4032.386	HANDLE	
9	4032.979	CAP	
10	4032.813	DRAIN PLUG	
11	4033.267	TANK	
12	4032.389	AXLE	
13	4032.094	WHEEL	
14	4111.480	WHEEL CAP	
15	4111.072	WHEEL HOLDER	
16	4201.185	TANK FILTER	
17	4032.846	TANK CAP	
18	4104.170	CLIP NUT	
19	4032.834	LOWER SHELL	
20	4033.081	COMBUSTION CHAMBER	
21	4032.883	LIMIT THERMOSTAT	
22	4031.657	OUTLET CONE	
23*	4033.253	POWER CORD SCHUKO	
23-A	4033.252	POWER CORD NEW ZEALAND	
23-B	4033.302	POWER CORD UK	
24	4032.545	AIR REGULATION FLAP	
25	4032.455	SCREW	
26	4032.454	CAGE NUT	
27	4031.536	NOZZLE	
28	4161.956	SCREW	
29	4033.042	BURNER FLANGE	
30	4110.363	SCREW	
31	4110.393	AUTOLOCK WASHER	
32	4033.123	BIFILAR ELECTRODE	
33	4110.394	FIBER WASHER	
34	4033.198	ELBOW	
35	4033.022	PHOTOCELL	
36	4031.048	HIGH TENSION CABLES	
37	4100.810	PIPE CLAMP	
38	4033.219	MOTOR	Alternative code: 4033.312
39	4111.081	COUPLING	
40	4111.042	PUMP	
41	4033.187	FLEXIBLE OIL PIPE	
42	4032.906	FITTING	
43	4032.342	SOLENOID SPOOL CORD	
44	4032.835	MOTOR BRACKET	
45	4032.947	CABLE PROTECTION	
46	4033.269	OIL PIPE FILTER-PUMP	
47	4033.268	OIL PIPE TANK-TANK FILTER	
48	4260.107	FUEL FILTER	
49	4110.355	OIL SUCTION LINE	
50	4260.099	FUEL GAUGE	
51	4033.038	OIL DISCHARGE LINE	
52	4100.541	RUBBER BUSHING	
53	4110.032	OIL DISCHARGE PIPE	

ESP00121

MODEL BV77 E

UNIT 4

PARTS LIST

Pos.	Code NR	Description	Rev. D - May 2013
54	4033.017	IGNITION CONTROL	
55	4032.771	POWER LINE RFI FILTER	
56	4033.301	FUSE HOLDER	
57	4032.850	FUSE	
58	4160.639	POP RIVET TERMINAL 4 WAY	
59	4160.647	THERMOSTAT SOCKET 90°	
60	4161.400	CONNECTION PLUG	
61	4162.467	THERMOSTAT CAP	
62	4033.292	ELECTRICAL COMPONENTS BASE	
63	4100.656	NUT	
64	4150.528	STRAIN RELIEF	
65	4033.251	BOARD BUTTON CAP	
66	4165.204	SWITCH	
67	4033.272	ELECTRICAL PANEL	
	4033.273	ADHESIVE	
68	4033.274	PANEL GASKET	

RECOMMENDED SPARE PARTS

POS.	Code NR	Description	Rev. D - May 2013
21	4032.883	LIMIT THERMOSTAT	
32	4033.123	BIFILAR ELECTRODE	
35	4033.022	PHOTOCELL	
36	4031.048	HIGH TENSION CABLES	
38	4033.219	MOTOR	Alternative code: 4033.312
39	4111.081	COUPLING	
40	4111.042	PUMP	
43	4032.342	SOLENOID SPOOL CORD	
48	4260.107	FUEL FILTER	
54	4033.017	IGNITION CONTROL	
55	4032.771	POWER LINE RFI FILTER	
57	4032.850	FUSE	
59	4160.647	THERMOSTAT SOCKET 90°	
61	4162.467	THERMOSTAT CAP	

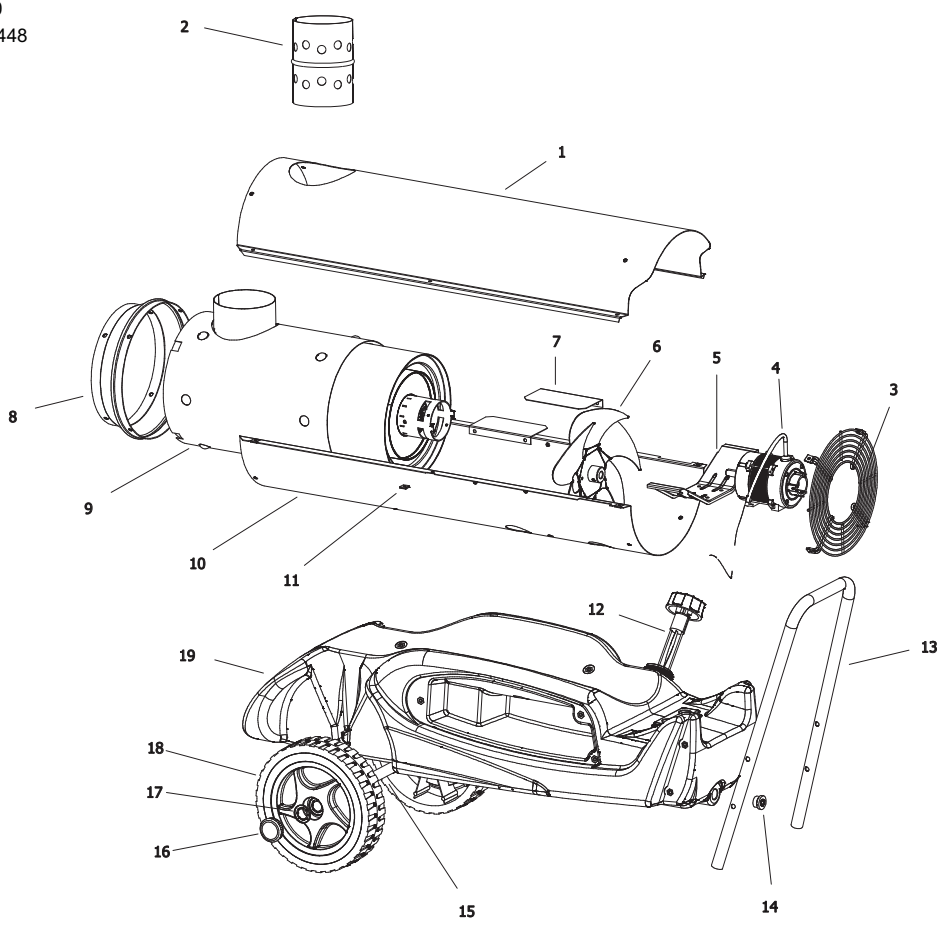
MODEL BV77 E

UNIT 1

ILLUSTRATED PARTS BREAKDOWN

From Serial Number: 32800180
Until Serial Number: 04233000448

Rev. C - Nov. 2012

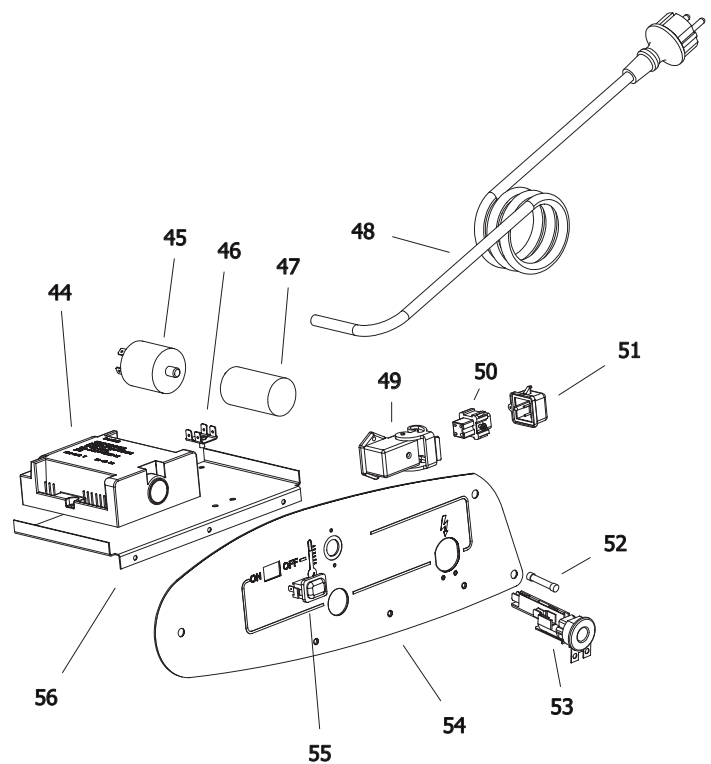
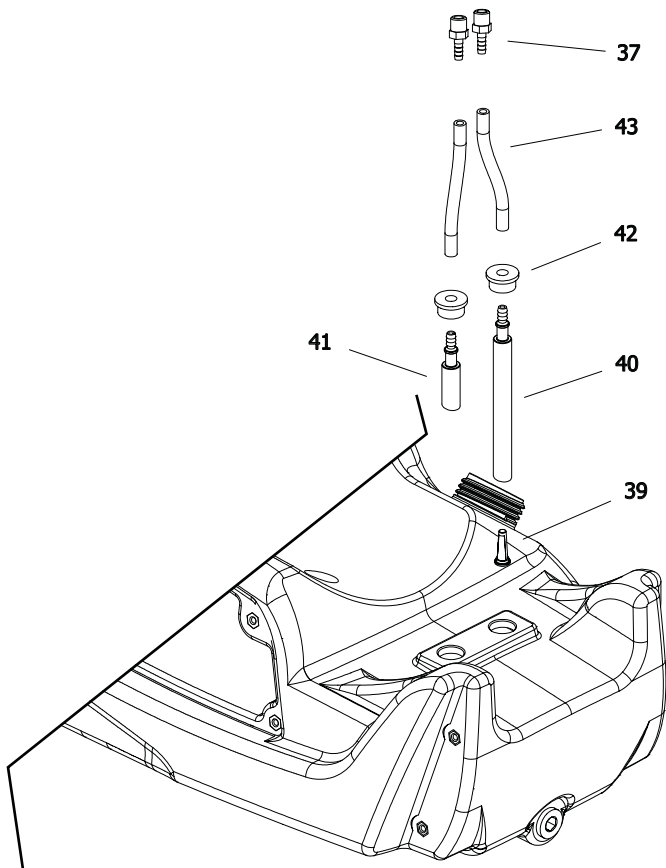
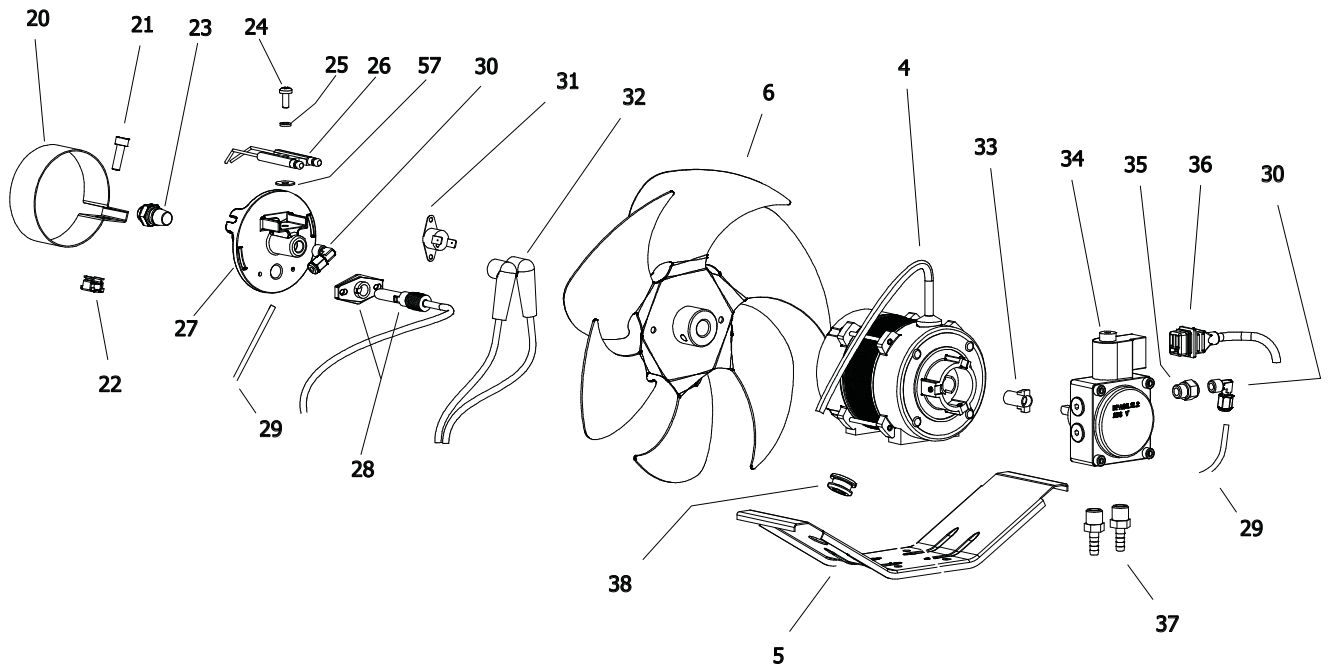


ESP00121

MODEL BV77 E

UNIT 2

ILLUSTRATED PARTS BREAKDOWN



MODEL BV77 E

UNIT 3

PARTS LIST

Pos.	Code NR	Description	Rev. C - Nov. 2012
1	4032.832	UPPER SHELL	
2	4032.387	CHIMNEY	
3	4032.836	GRID	
4	4032.815	MOTOR	
5	4032.835	MOTOR BRACKET	
6	4032.814	FAN	
7	4032.808	AIR FLAP	
8	4032.837	OUTLET AIR CONE	
9	4033.081	COMBUSTION CHAMBER	
10	4032.834	LOWER SHELL	
11	4104.170	CLIP NUT	
12	4032.978	FUEL LEVEL PROBE	
13	4032.386	HANDLES	
14	4032.813	DRAIN PLUG	
15	4032.389	AXLE	
16	4111.480	WHEEL PLUG	
17	4111.072	WHEEL HOLDER	
18	4032.094	WHEEL	
19	4033.037	TANK	
20	4032.545	AIR REGULATION FLAP	
21	4032.455	SCREW	
22	4032.454	CAGE NUT	
23	4031.536	NOZZLE	
24	4110.363	SCREW	
25	4110.393	WASHER	
26	4033.123	BIFILAR ELECTRODE	
27	4033.042	BURNER FLANGE	
28	4033.022	PHOTOCELL	
29	4033.187	OIL SUPPLY PIPE	
30	4033.198	ELBOW	
31	4032.883	LIMIT THERMOSTAT	
32	4031.048	HT CABLE	
33	4111.081	COUPLING	
34	4032.789	PUMP	
35	4161.501	NIPPLES	
36	4032.905	POWER CORD SOLENOID SPOOL	
37	4032.906	FITTING 1/4"	
38	4032.947	CABLE PROTECTION	
39	4110.356	FUEL FILTER	
40	4110.355	FUEL LINE TANK-PUMP	
41	4033.038	FUEL PIPE PUMP-TANK	
42	4100.541	RUBBER BUSHING	
43	4110.032	FUEL LINE	
44	4033.017	IGNITION CONTROL ASSEMBLY	
45	4032.771	POWER LINE RFI FILTER	
46	4160.639	POP RIVET WITH TERMIN. 4 WAY	
47	4032.816	CAPACITOR 6,3 μ f	
48	4111.153	POWER CORD	
49	4160.647	PLATE PLUG	
50	4161.400	CONNECTION SOCKET	
51	4162.467	THERMOSTAT PLUG	
52	4032.850	FUSE (6,3X32) 3,15A	

MODEL BV77 E

UNIT 4

PARTS LIST

Pos.	Code NR	Description	<i>Rev. C - Nov. 2012</i>
53	4111.038	STRAIN RELIEF	
54	4032.823	ELECTR. COMPONENTS PANEL	
55	4100.667	ON/OFF SWITCH	
56	4032.897	ELECTR. COMPONENTS BASE	
57	4110.394	WASHER	

RECOMMENDED SPARE PARTS

POS.	Code NR	Description	<i>Rev. C - Nov. 2012</i>
4	4032.815	MOTOR	
26	4032.396	BIFILAR ELECTRODE	
28	4033.022	PHOTOCELL	
31	4032.883	LIMIT THERMOSTAT	
32	4031.048	HT CABLE	
33	4111.081	COUPLING	
34	4032.789	PUMP	
36	4032.905	POWER CORD SOLENOID SPOOL	
39	4110.356	FUEL FILTER	
44	4033.017	IGNITION CONTROL ASSEMBLY	
45	4032.771	POWER LINE RFI FILTER	
47	4032.816	CAPACITOR 6,3 μ f	
49	4160.647	PLATE PLUG	
51	4162.467	THERMOSTAT PLUG	
52	4032.850	FUSE (6,3X32) 3,15A	

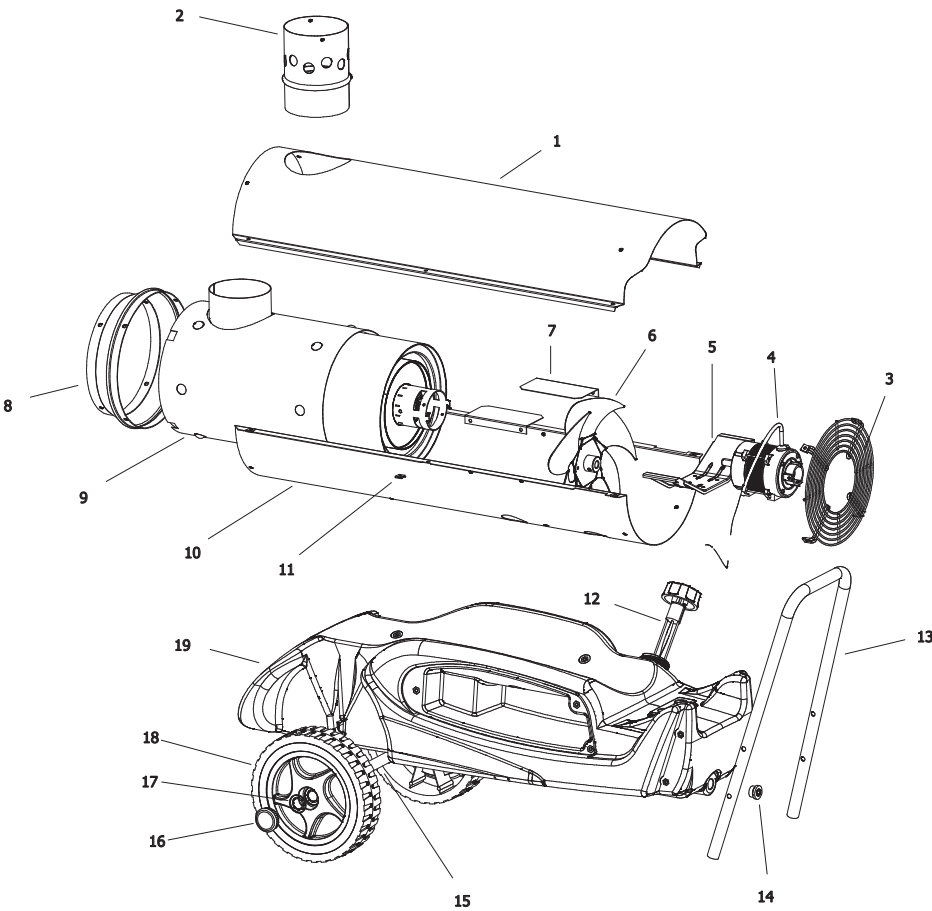
MODEL BV77 E

UNIT 1

ILLUSTRATED PARTS BREAKDOWN

From Serial Number: 31800560
Untill Serial Number: 32800180

Rev. B - May2011



MODEL BV77 E

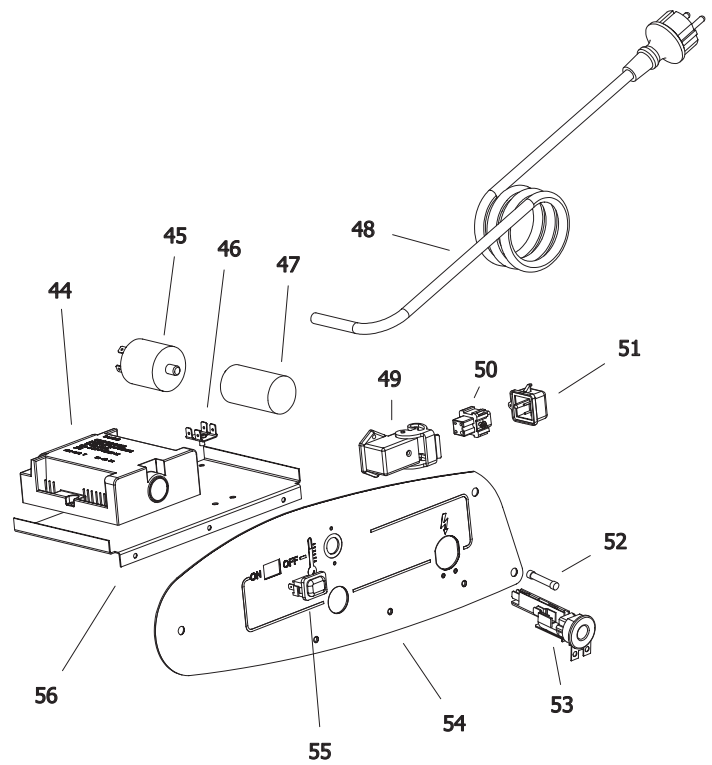
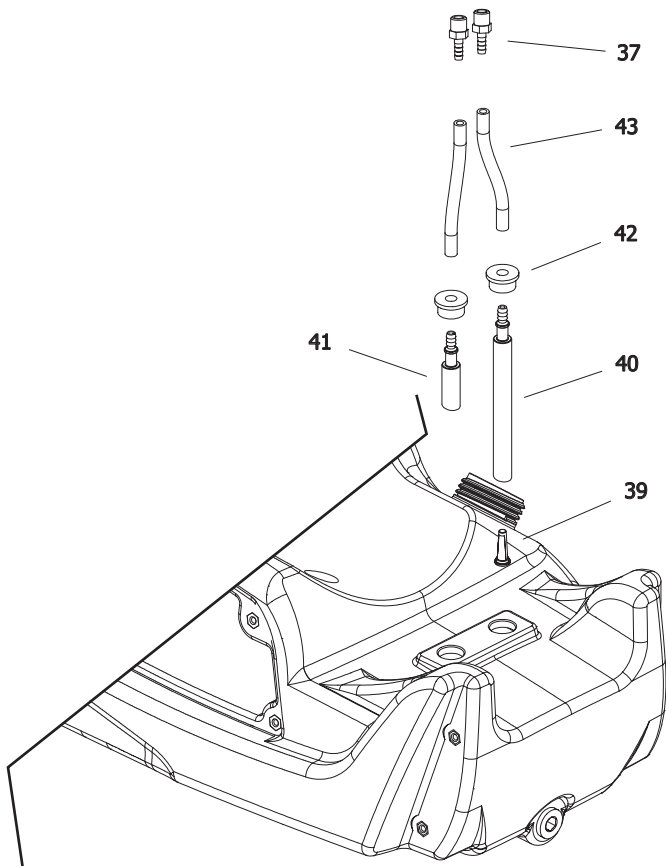
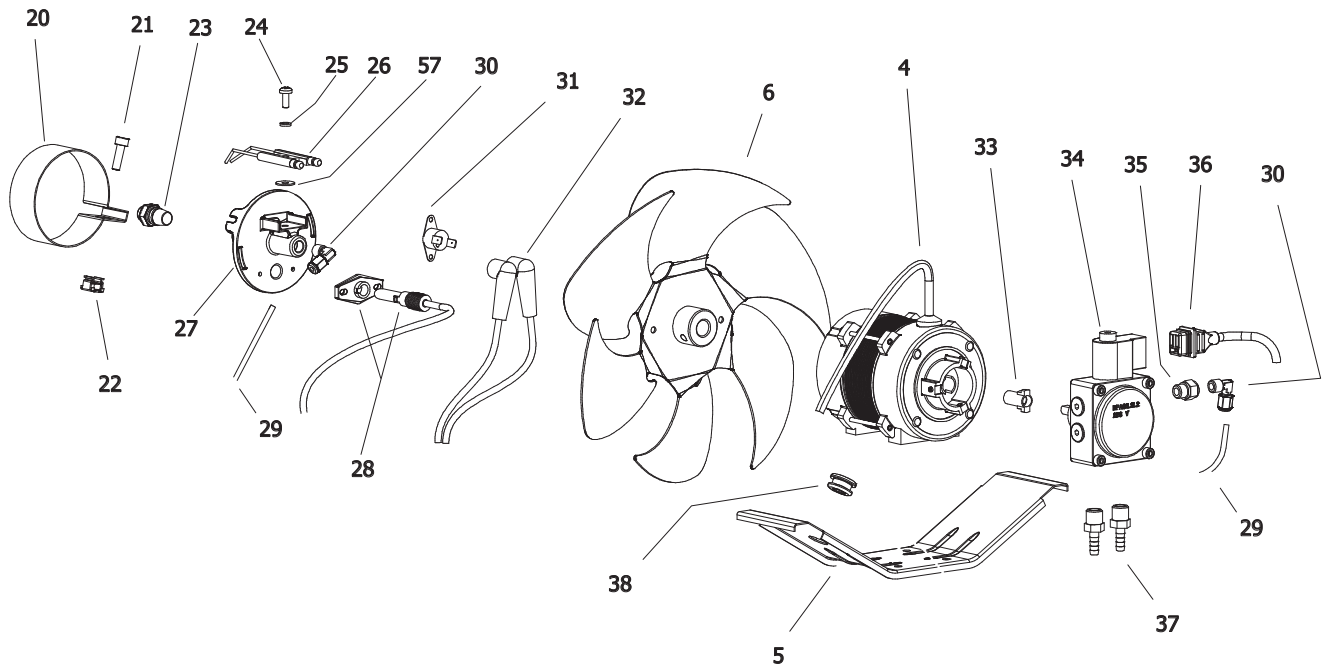
UNIT 2

ILLUSTRATED PARTS BREAKDOWN

From Serial Number: 31800560

Rev. B - May 2011

Until Serial Number: 32800180



MODEL BV77 E

UNIT 3

PARTS LIST

Pos.	Code NR	Description	Rev. B - May 2011
1	4032.832	UPPER SHELL	
2	4032.387	CHIMNEY	
3	4032.836	GRID	
4	4032.815	MOTOR	
5	4032.835	MOTOR BRACKET	
6	4032.814	FAN	
7	4032.808	AIR FLAP	
8	4032.837	OUTLET AIR CONE	
9	4033.081	COMBUSTION CHAMBER	
10	4032.834	LOWER SHELL	
11	4104.170	CLIP NUT	
12	4032.978	FUEL LEVEL PROBE	
13	4032.386	HANDLES	
14	4032.813	DRAIN PLUG	
15	4032.389	AXLE	
16	4111.480	WHEEL PLUG	
17	4111.072	WHEEL HOLDER	
18	4032.094	WHEEL	
19	4033.037	TANK	
20	4032.545	AIR REGULATION FLAP	
21	4032.455	SCREW	
22	4032.454	CAGE NUT	
23	4031.536	NOZZLE	
24	4110.363	SCREW	
25	4110.393	WASHER	
26	4032.396	BIFILAR ELECTRODE	
27	4033.042	BURNER FLANGE	
28	4033.022	PHOTOCELL	
29	4032.854	OIL SUPPLY PIPE	
30	4161.140	ELBOW	
31	4032.883	LIMIT THERMOSTAT	
32	4031.048	HT CABLE	
33	4111.081	COUPLING	
34	4032.789	PUMP	
35	4161.501	NIPPLES	
36	4032.905	POWER CORD SOLENOID SPOOL	
37	4032.906	FITTING 1/4"	
38	4032.947	CABLE PROTECTION	
39	4110.356	FUEL FILTER	
40	4110.355	FUEL LINE TANK-PUMP	
41	4033.038	FUEL PIPE PUMP-TANK	
42	4100.541	RUBBER BUSHING	
43	4110.032	FUEL LINE	
44	4033.017	IGNITION CONTROL ASSEMBLY	
45	4032.771	POWER LINE RFI FILTER	
46	4160.639	POP RIVET WITH TERMIN. 4 WAY	
47	4032.816	CAPACITOR 6,3 μ f	
48	4111.153	POWER CORD	
49	4160.647	PLATE PLUG	
50	4161.400	CONNECTION SOCKET	
51	4162.467	THERMOSTAT PLUG	
52	4032.850	FUSE (6,3X32) 15A	

ESP00121

MODEL BV77 E

UNIT 4

PARTS LIST

Pos.	Code NR	Description	<i>Rev. B - May 2011</i>
53	4111.038	STRAIN RELIEF	
54	4032.823	ELECTR. COMPONENTS PANEL	
55	4100.667	ON/OFF SWITCH	
56	4032.897	ELECTR. COMPONENTS BASE	
57	4110.394	WASHER	

RECOMMENDED SPARE PARTS

POS.	Code NR	Description	<i>Rev. B - May 2011</i>
4	4032.815	MOTOR	
26	4032.396	BIFILAR ELECTRODE	
28	4033.022	PHOTOCELL	
31	4032.883	LIMIT THERMOSTAT	
32	4031.048	HT CABLE	
33	4111.081	COUPLING	
34	4032.789	PUMP	
36	4032.905	POWER CORD SOLENOID SPOOL	
39	4110.356	FUEL FILTER	
44	4033.017	IGNITION CONTROL ASSEMBLY	
45	4032.771	POWER LINE RFI FILTER	
47	4032.816	CAPACITOR 6,3 μ f	
49	4160.647	PLATE PLUG	
51	4162.467	THERMOSTAT PLUG	
52	4032.850	FUSE (6,3X32) 15A	

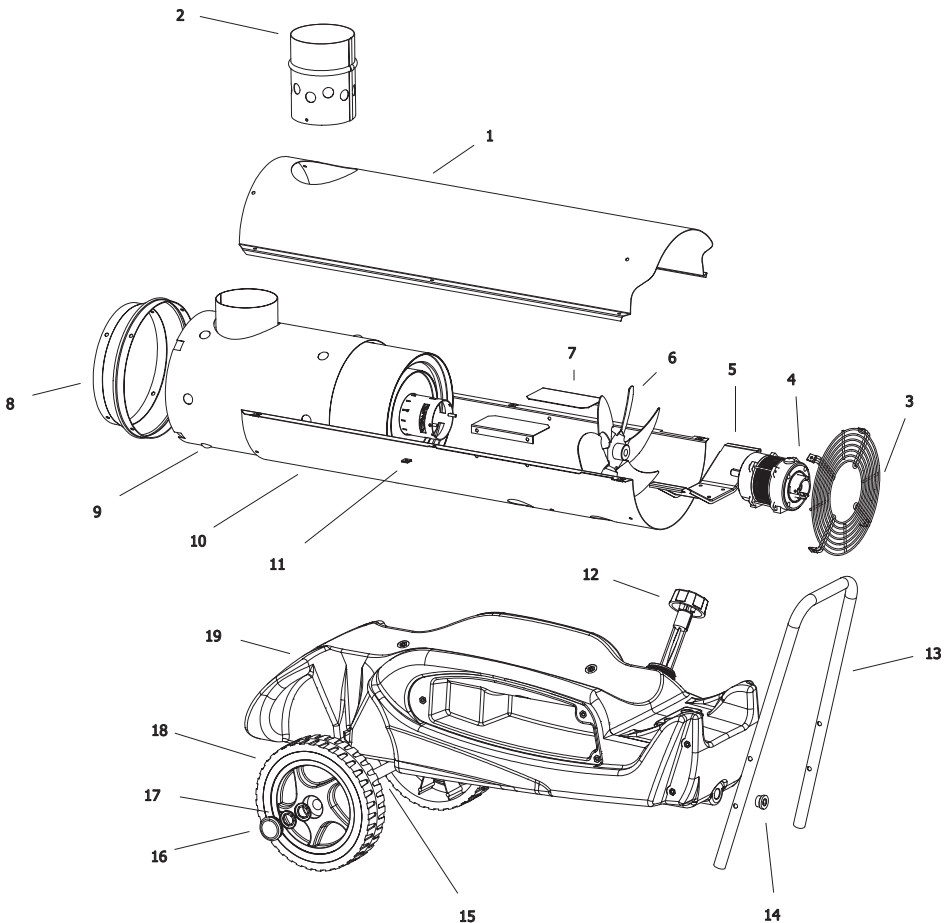
MODEL BV77 E

UNIT 1

ILLUSTRATED PARTS BREAKDOWN

From Serial Number: 30800001
Untill Serial Number: 31800559

Edizione 2010
Rev. A



MODEL BV77 E

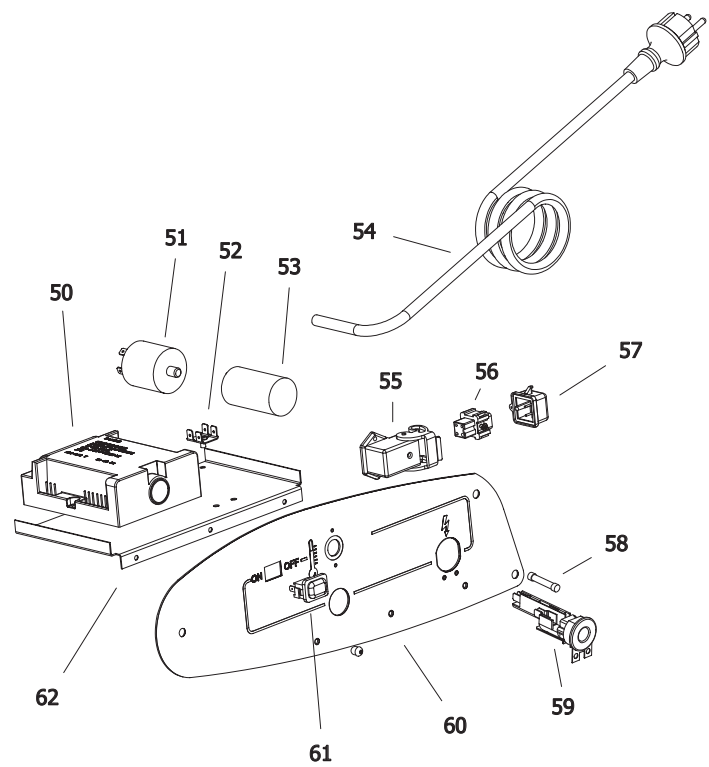
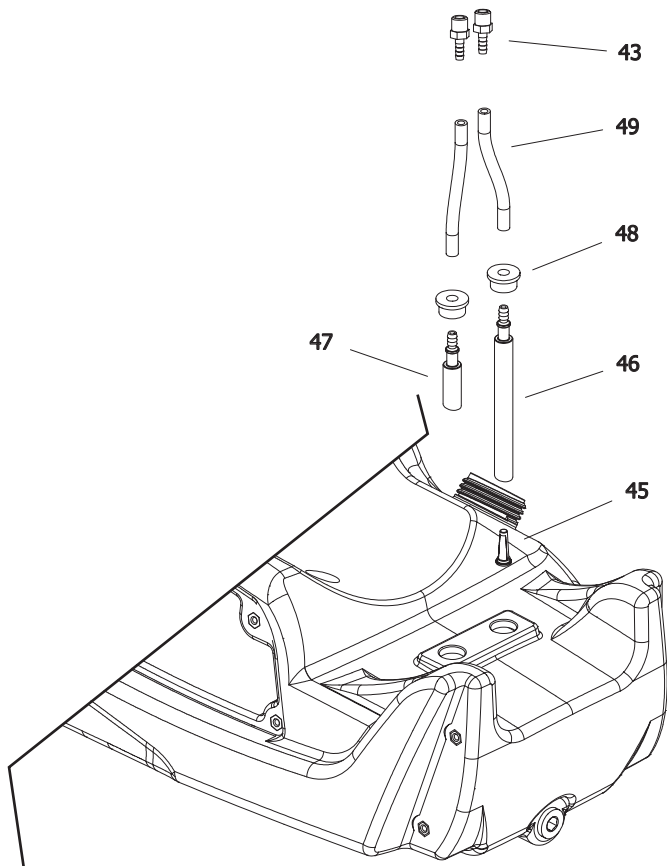
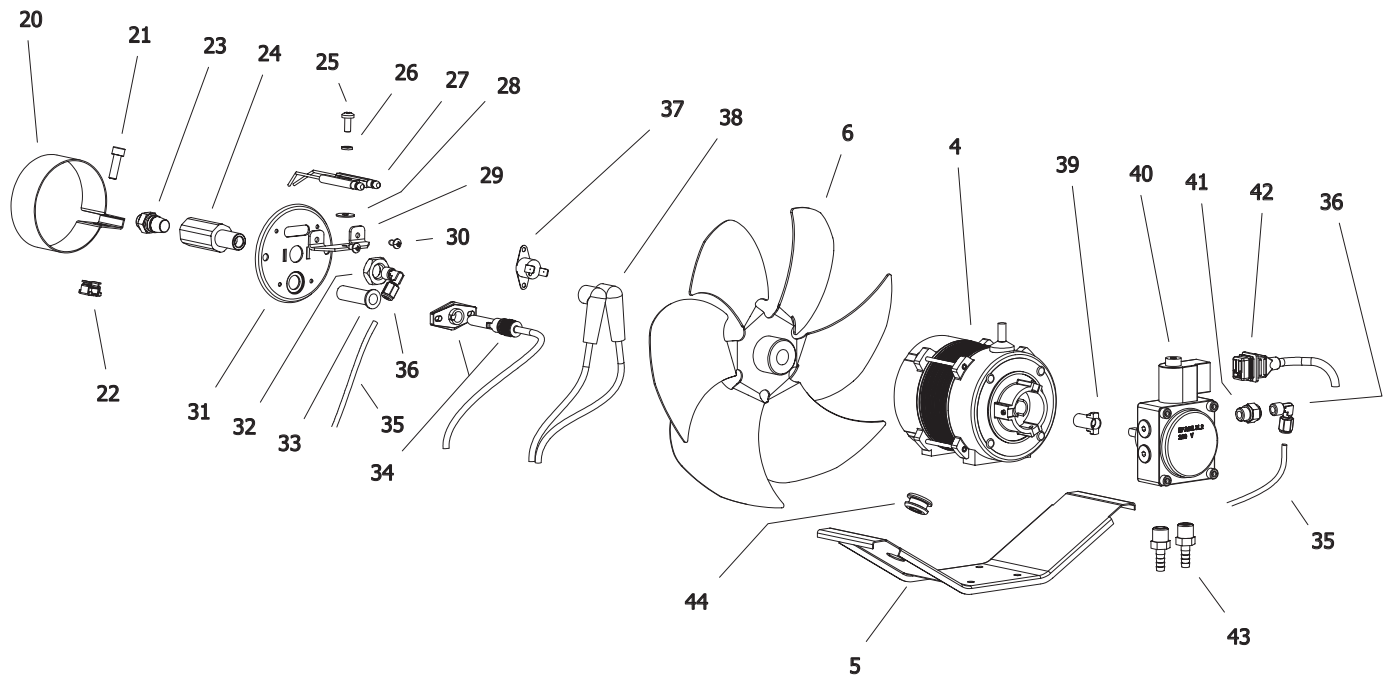
UNIT 2

ILLUSTRATED PARTS BREAKDOWN

From Serial Number: 30800001

Untill Serial Number: 31800559

Edizione 2010
Rev. A



MODEL BV77 E

UNIT 3

PARTS LIST

Pos.	Code NR	Description	Rev. C - May 2012
1	4032.832	UPPER SHELL	
2	4032.387	CHIMNEY	
3	4032.836	GRID	
4	4032.815	MOTOR	
5	4032.835	MOTOR BRACKET	
6	4032.814	FAN	
7	4032.808	AIR FLAP	
8	4032.837	OUTLET AIR CONE	
9	4033.081	COMBUSTION CHAMBER	
10	4032.834	LOWER SHELL	
11	4104.170	CLIP NUT	
12	4032.978	FUEL LEVEL PROBE	
13	4032.386	HANDLES	
14	4032.813	DRAIN PLUG	
15	4032.389	AXLE	
16	4111.480	WHEEL PLUG	
17	4111.072	WHEEL HOLDER	
18	4032.094	WHEEL	
19	4033.037	TANK	
20	4032.545	AIR REGULATION FLAP	
21	4032.455	SCREW	
22	4032.454	CAGE NUT	
23	4031.536	NOZZLE	
24	4110.363	SCREW	
25	4110.393	WASHER	
26	4033.123	BIFILAR ELECTRODE	
27	4033.042	BURNER FLANGE	
28	4033.022	PHOTOCELL	
29	4033.187	OIL SUPPLY PIPE	
30	4033.198	ELBOW	
31	4032.883	LIMIT THERMOSTAT	
32	4031.048	HT CABLE	
33	4111.081	COUPLING	
34	4032.789	PUMP	
35	4161.501	NIPPLES	
36	4032.905	POWER CORD SOLENOID SPOOL	
37	4032.906	FITTING 1/4"	
38	4032.947	CABLE PROTECTION	
39	4110.356	FUEL FILTER	
40	4110.355	FUEL LINE TANK-PUMP	
41	4033.038	FUEL PIPE PUMP-TANK	
42	4100.541	RUBBER BUSHING	
43	4110.032	FUEL LINE	
44	4033.017	IGNITION CONTROL ASSEMBLY	
45	4032.771	POWER LINE RFI FILTER	
46	4160.639	POP RIVET WITH TERMIN. 4 WAY	
47	4032.816	CAPACITOR 6,3 μ f	
48	4111.153	POWER CORD	
49	4160.647	PLATE PLUG	
50	4161.400	CONNECTION SOCKET	
51	4162.467	THERMOSTAT PLUG	
52	4032.850	FUSE (6,3X32) 15A	

ESP00121

52	4160.639	POP RIVET WITH TERMIN. 4 WAY
53	4032.816	CAPACITOR 6,3 μ f
54	4111.153	POWER CORD
55	4160.647	PLATE PLUG
56	4161.400	CONNECTION SOCKET
57	4162.467	THERMOSTAT PLUG
58	4032.850	FUSE (6,3X32) 15A
59	4111.038	STRAIN RELIEF
60	4032.823	ELECTR. COMPONENTS PANEL
61	4100.667	ON/OFF SWITCH
62	4032.897	ELECTR. COMPONENTS BASE

S/R - Parts available by special request only