



Functional Group

**Frame**

Functional Group Number

**1**

Table Number

**-**

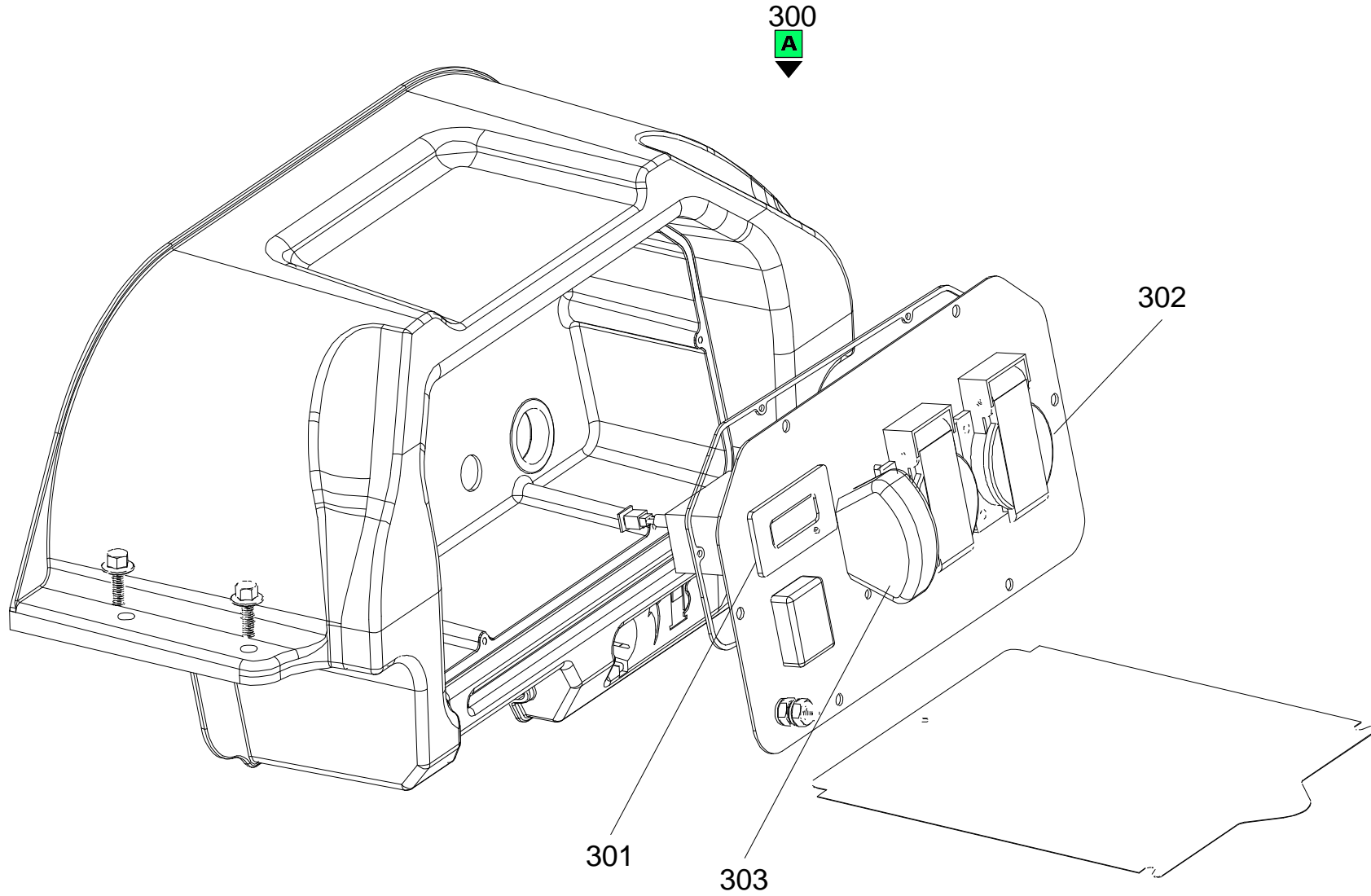
Revision

**0 (05-2013)**

PX4000 - Machine code: PK222SXI000

Spare Parts Catalogue PX4000 - Revision: 0 (5/2013)

Position	Part Number	Description	Notes
87	PAA40018	Wheel Assy	-
88	PAA00122	Wheel Hub Cap 4000/5000/8000	-
89	PAA40015	Side Cover/muffler Side	-
90	PAA40014	Side Cover Foam/muffler Side	-
95	PAA4000F	Frame Assy Engine Green Pramac	-
96	PAA40016	Side Cover Foam/alternator Side	-
97	PAA40017	Side Cover/alternator Side	-
100	PAA40019	Silent Block 1 Stud Bolt	-
106	PAA40020	Silent Block 2/single Head Bolt /damping Glue	-
109	PAA40021	Silent Block A Engine	-
110	PAA40040	Tank, Fuel Assy	-
112	PAA10012	-	-
113	PAA10013	-	-
115	PAA40011	Handle Assy/pramac Green Orange Peeled	-
116	PAA40010	Handle Foam Sleeve	-
124	G080112	Gasoline Filter	-
128	PAA00145	Cock Assy, Fuel 4000/5000/8000	-
131	G051521	Shell Fuel Cap For Metal Tank - Vent Holes On Top	-
136	PAA00142	Strainer?fuel 4000/5000/8000	-
139	PAA00146	Fuel Gauge Tank 4000/5000/8000	-
177	PAA40001	Muffler Assy.	-
178	PAA40001-1	-	-





Functional Group

**Electric control panel**

Functional Group Number

**2**

Table Number

**-**

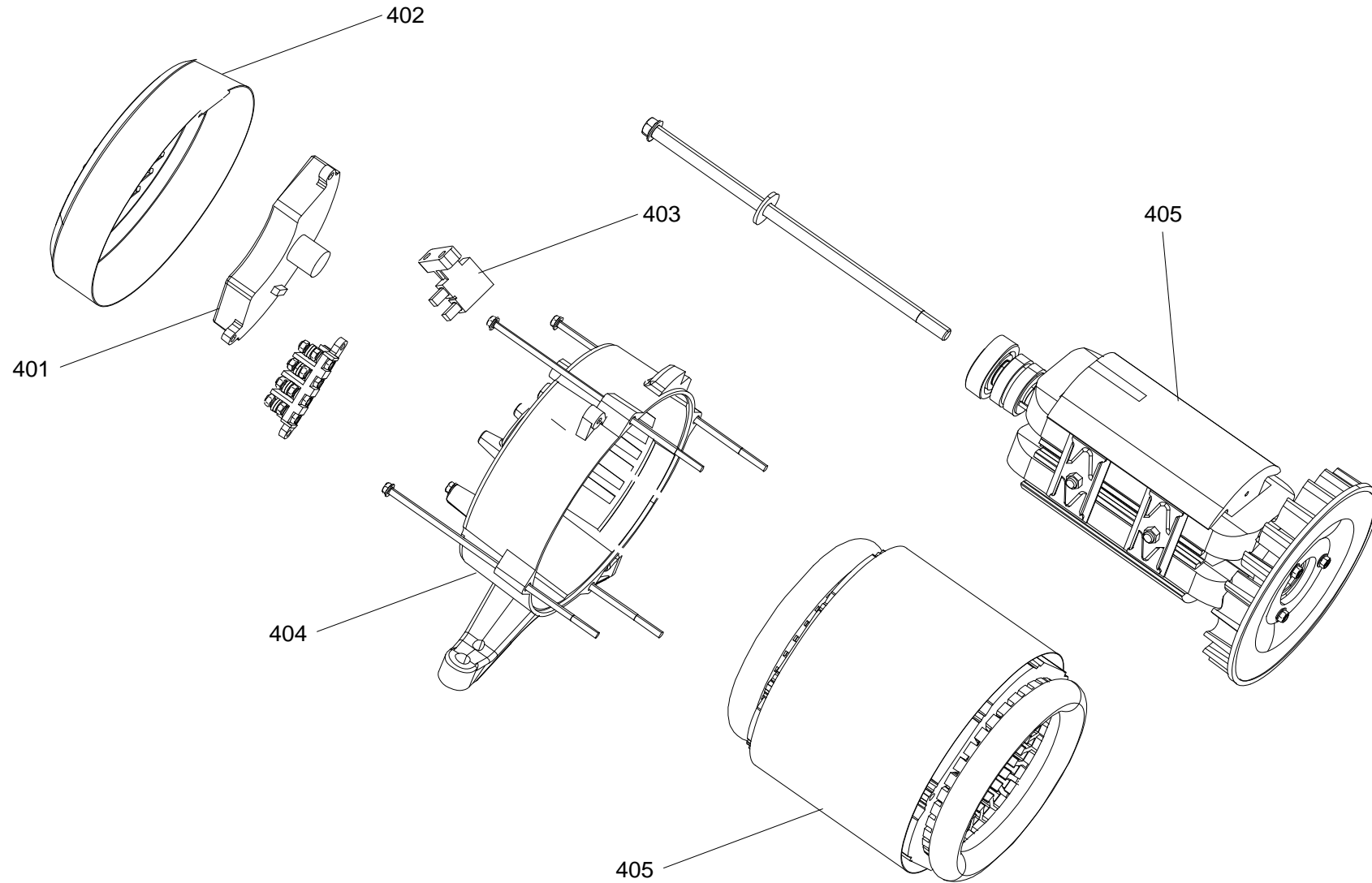
Revision

**0 (05-2013)**

PX4000 - Machine code: PK222SXI000

Spare Parts Catalogue PX4000 - Revision: 0 (5/2013)

Position	Part Number	Description	Notes
300	<b>PAA40002</b>	Panel Subassembly, Control	-
301	<b>G077009</b>	Digital Multimeter Single Phase For Panel	-
302	<b>G071131</b>	Socket Subassembly, Power Supply	-
303	<b>PAA00148</b>	Thermal Circuit Breaker 12a	-





Functional Group

**Alternator**

Functional Group Number

**3**

Table Number

**-**

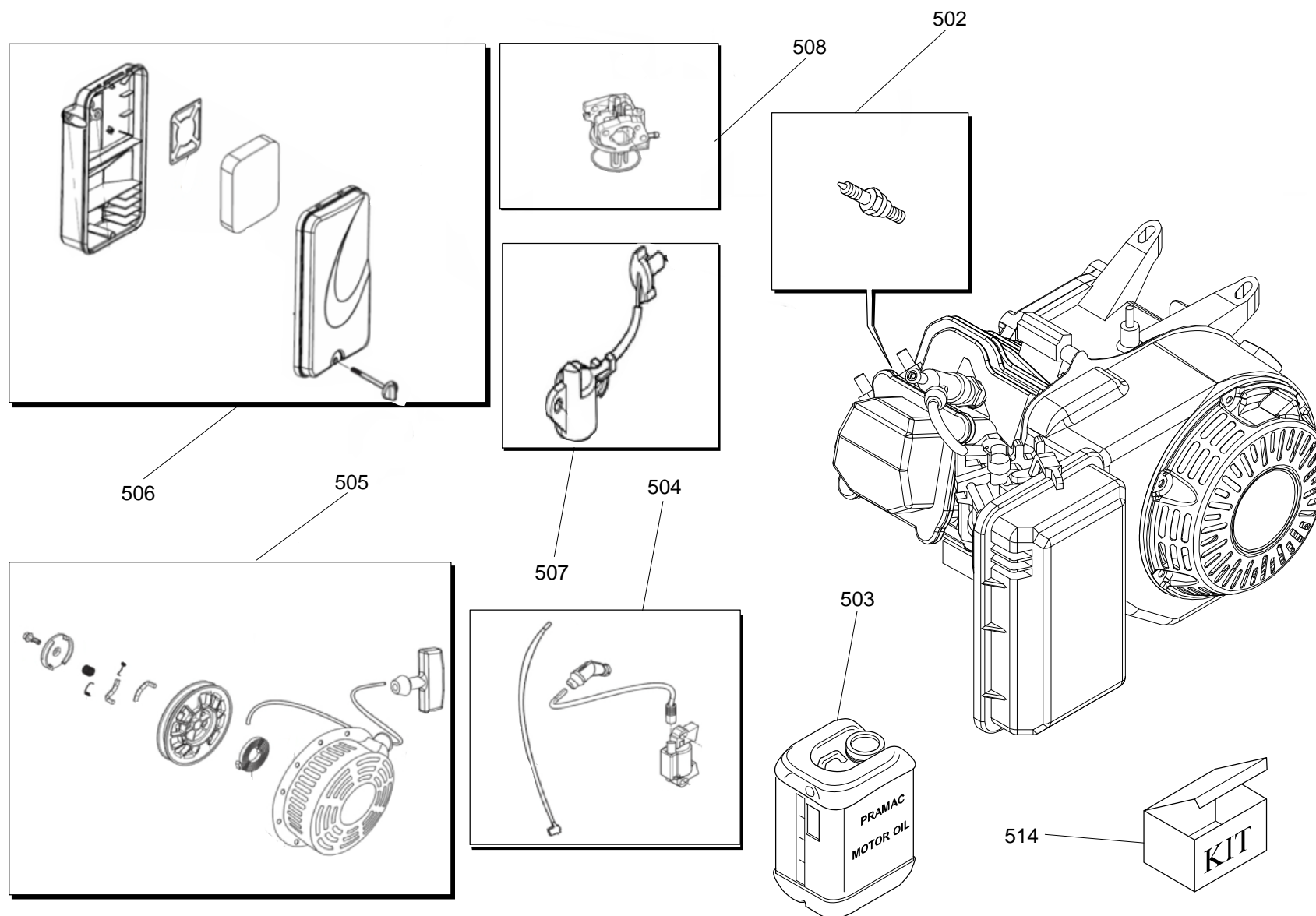
Revision

**0 (05-2013)**

PX4000 - Machine code: PK222SXI000

Spare Parts Catalogue PX4000 - Revision: 0 (5/2013)

Position	Part Number	Description	Notes
401	<b>PAA40004</b>	Regulator, Voltage	-
402	<b>PAA40006</b>	Alternator End Cover	-
403	<b>PAA40007</b>	Brush Subassembly, Carbon	-
404	<b>PAA40005</b>	Bracket, Motor	-
405	<b>PAA4000A</b>	Complete Alternator	-





Functional Group

**Engine**

Functional Group Number

**4**

Table Number

**-**

Revision

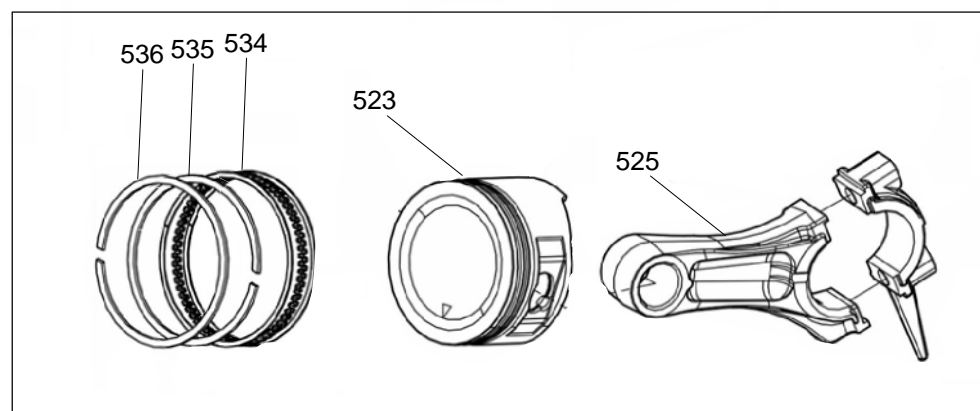
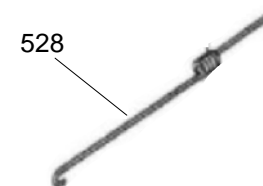
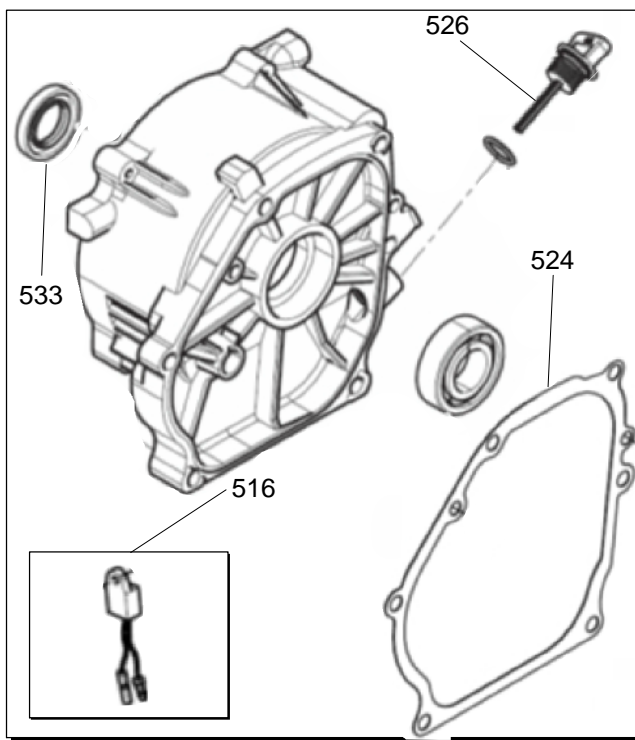
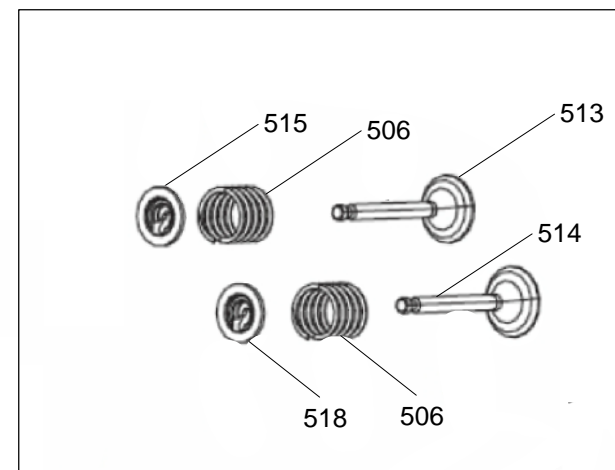
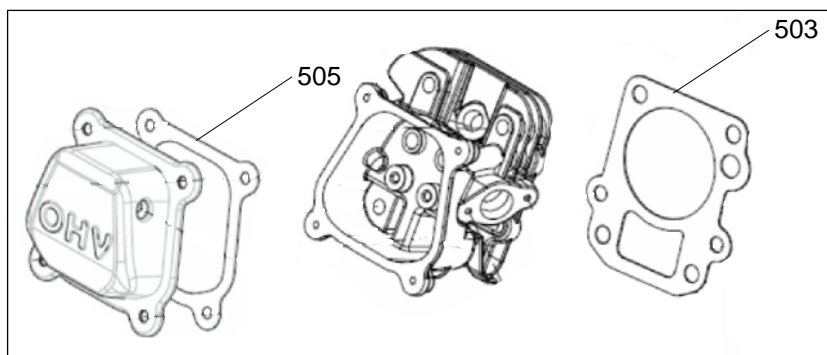
**0 (05-2013)**

PX4000 - Machine code: PK222SXI000

Spare Parts Catalogue PX4000 - Revision: 0 (5/2013)

Position	Part Number	Description	Notes
502	<b>PGT00506</b>	Plug Spark 2800/3200/6250/7000	-
503	<b>P3KI00299</b>	Kit Pramac Power	-
504	<b>PAA40525</b>	Ignation Coil Assy	-
505	<b>PAA40521</b>	Starter Assy	-
506	<b>PAA40506</b>	Complete Air Filter Case	-
507	<b>PAA40513</b>	Sensor Engine Oil	-
508	<b>PAA40505</b>	Carburator Assy	-







Functional Group

**Engine**

Functional Group Number

**4**

Table Number

**-**

Revision

**0 (05-2013)**

PX4000 - Machine code: PK222SXI000

Spare Parts Catalogue PX4000 - Revision: 0 (5/2013)

Position	Part Number	Description	Notes
503	PAA40507	Gasket Cylinder Head	-
505	PAA40501	Cylinder Head Cover Seal	-
506	PAA40504	Spring Valve	-
513	PAA40509	Valve Intake	-
514	PAA40508	Valve Exhaust	-
515	PAA40502	Inlet Valve Spring Retainer	-
516	PAA40514	Protector Oil	-
518	PAA40503	Exhaust Valve Spring Retainer	-
523	PAA40511	Piston	-
525	PAA40512	Rod, Connecting	-
526	PAA40518	Oil Cap	-
527	PAA40516	Spring Throttle Valve	-
528	PAA40515	Spring Governor	-
533	PAA40520	Seal Oil	-
534	PAA40510	Ring Set, Oil Kit	-
535	PAA40510	Ring Set, Oil Kit	-
536	PAA40510	Ring Set, Oil Kit	-