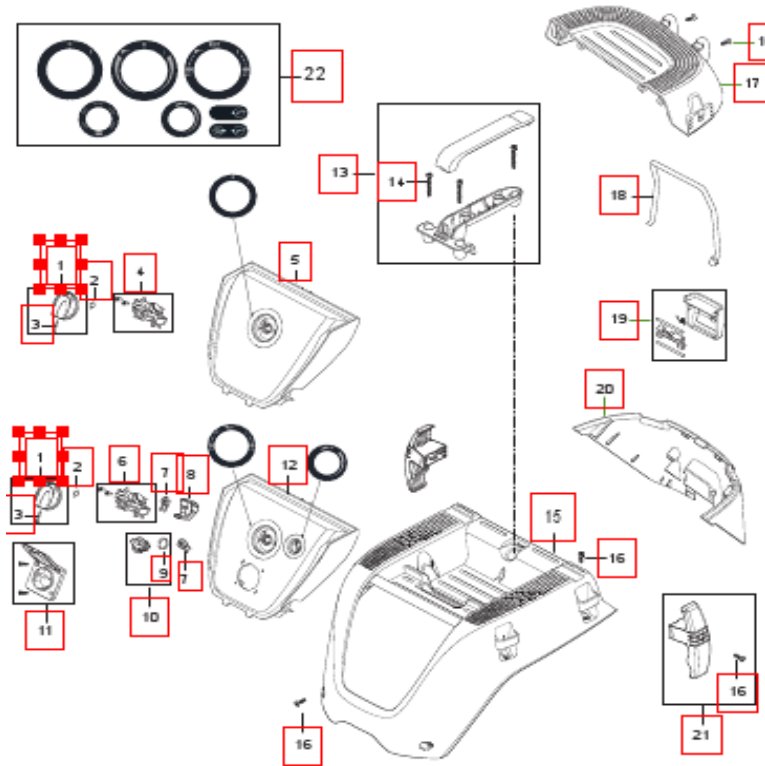


RECOMMENDED SPARE PARTS	
107413448	ROTARY SWITCH 2 POS 16A KIT
107415085	ROTARY SWITCH 5 POS 16A
107415076	ROTARY SWITCH 3 POS 16A
107415024	POTENTIOMETER W. WIRE
107415080	CAP FOR POT-METER
302004034	SOCKET 16A/250V EU
302004036	SOCKET 16A/250V FR
107400057	SOCKET 16A/110V GB
302004336	SOCKET 13A/250V GB
302004338	SOCKET 15A/125V US/CSA
107400059	SOCKET 10A/250V CH
107400060	SOCKET 16A/250V DK
107415038	HANDLE KIT BLACK
107415032	HATCH DOOR CLAMP KIT BLACK
107415083	HOSE/CABLE HOOK BLACK 1 PCS.
107415077	LABEL KIT FOR CONTROL PANEL 7 PCS.
107415027	HATCH DOOR FRAME WITH SEALING 220-240V IC
107417859	HATCH DOOR FRAME W. SEALING 100-120V IC
107415031	SOLENOID KIT 220-240V
107415079	SOLENOID KIT 100-120V
107415090	HATCH DOOR FILTER GASKET KIT
107413540	FLAT FILTER PTFE M-CLASS 1 PCS
107415075	HATCH DOOR HINGE SNAP 2 PCS.
107415058	PCBA AFC 1M1S P2 220-240V
107415092	PCBA AFC 1M1S P2 100V
107415649	PCBA AFC 1M1S P2 110-120V
107415094	PCBA AUTO ON/OFF AFC 1M1S P2 220-240V
107415095	PCBA AUTO ON/OFF AFC 1M1S P2 110-120V
107415059	PCBA AUTO ON/OFF M 1M1S P3 220-240V
107417102	PCBA AUTO ON/OFF M 1M1S P3 110-120V
107417103	PCBA AUTO ON/OFF AFC M 1M1S P3 220-240V
107417104	PCBA AUTO ON/OFF AFC M 1M1S P3 110-120V
107417105	PCBA AUTO ON/OFF H 1M1S P3 220-240V
107417106	PCBA AUTO ON/OFF AFC H 1M1S P3 220-240V
107416952	FLOW SENSOR KIT
107416958	BUZZER KIT1
107417111	PRESSURE SENSOR KIT
107417863	WIRE/CAPACITOR KIT6
107415055	MOTOR KIT 1200W 220-240V 50/60HZ
107415098	MOTOR KIT 1200W 100V 50/60HZ
107415099	MOTOR KIT 1000W 110-120V 50/60HZ
107417399	CARBON BRUSH ASSY KIT
107415053	CONTAINER CLAMP BLACK
107400573	CORD H07RN-F 3G1.5 CEE EU
302000692	POWER CORD H07BQ-F3G1.5X8.2 CE
302004333	POWER CORD H05RR-F 3G1.5X8.4 AS3112 -AU
302000882	POWER CORD SJTW-AWG16/3X8
107400267	CORD H05RR-F 3G1.0 CH
107402642	POWER CORD H05RR-F 3G1.0X8.2
107417418	POWER CORD KIT VCTF 1.25MM 3C JP PSE
107415063	FLOATER WITH MAGNET
107415061	AIR FLOW COVER KIT BLACK
107413542	HEPA FILTER COVER KIT
107413555	FILTER ELEMENT Ø140X75 H-CLASS/HEPA
107415050	CONTAINER SEALING
107417120	CASTOR WHEEL D75 WITH BRAKE 2 PCS.
107417573	CASTOR WHEEL D100 WITH BRAKE 2 PCS
107417121	WHEEL D175 BLACK

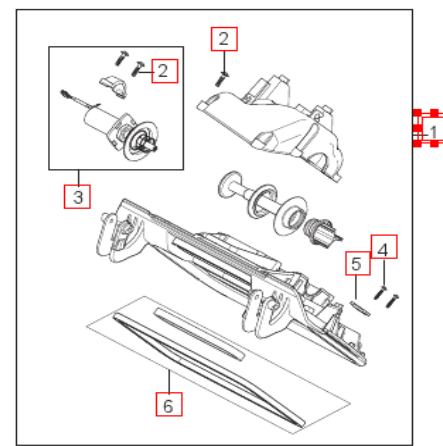
Cabinet and control panel 01 IC - 21 IC - 2L IC

No.	Part No.	Qty.	Description
1	909100204	1	ROTARY KNOB 6X5 BLUE
2	9868	1	O-RING 10.2X2.5 NBR 70
3	32526	1	TREAD-CUTTING SCREW 2.9X19 C ISO 1483 ZN
4	107413448	1	ROTARY SWITCH 2 POS 16A KIT
5	107415046	1	CONTROL PANEL KIT -01 BLUE
6	107415085	1	ROTARY SWITCH 5 POS 16A
7	107415024	2	POTENTIOMETER W. WIRE
8	107415080	1	CAP FOR POT-METER
9	3004221	1	O-RING 16X2 NITRIL 70 SHORE
10	107415062	1	TURNING KNOB D28 BLACK
11	302004034	1	SOCKET 16A/250V EU
11	302004036	1	SOCKET 16A/250V FR
11	107400057	1	SOCKET 16A/110V GB
11	302004336	1	SOCKET 13A/250V GB
11	302004338	1	SOCKET 15A/125V US/CSA
11	107400059	1	SOCKET 10A/250V CH
11	107400060	1	SOCKET 16A/250V DK
12	107415044	1	CONTROL PANEL KIT -21/-2L IC BLUE
13	107415038	1	HANDLE KIT BLACK
14	128500203	3	SCREW K50X45 WN1451 SP
15	107415036	1	TOP COVER BLACK
16	302004029	17	SCREW 5X18
17	107415086	1	HATCH DOOR UPPER COVER, IC BLACK
18	107415035	1	CORD STRAP KIT
19	107415032	1	HATCH DOOR CLAMP KIT BLACK
20	107415028	1	HATCHBACK LOWER COVER BLUE
21	107415083	2	HOSE/CABLE HOOK BLACK 1 PCS.
22	107415077	1	LABEL KIT FOR CONTROL PANEL 7 PCS.



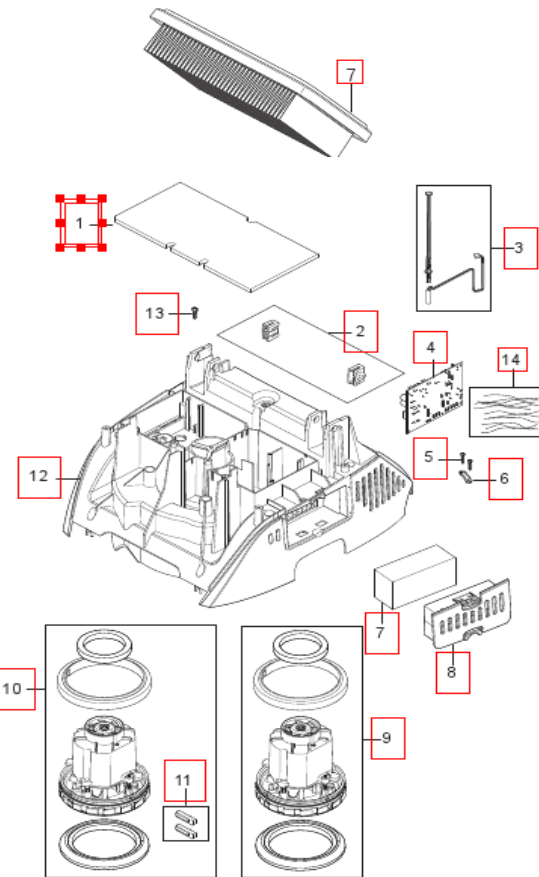
Filter system IC

No.	Part No.	Qty.	Description
1	107415027	1	HATCH DOOR FRAME WITH SEALING IC
1	107417859	1	HATCH DOOR FRAME W. SEALING 100-120V IC
2	302003704	15	SCREW EJOT DELTA PT50X18WN5451
3	107415031	1	SOLENOID KIT 220-240V
3	107415079	1	SOLENOID KIT 100-120V
4	302003705	2	SCREW EJOT DELTA PT35X18WN5451
5	5697	1	STRAP 3X8X33
6	107415090	1	HATCH DOOR FILTER GASKET KIT
7	107413540	1	FLAT FILTER PTFE M-CLASS 1 PCS



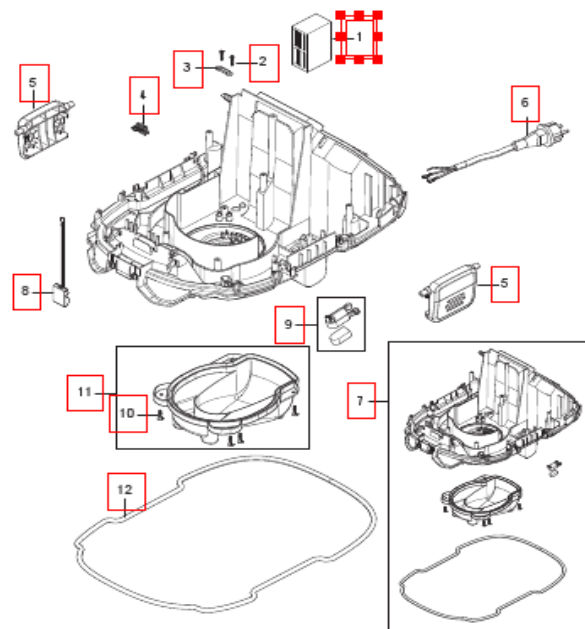
Suction unit L

No.	Part No.	Qty.	Description
1	107417101	1	FOAM SEALING 298X148
2	107415075	1	HATCH DOOR HINGE SNAP 2 PCS.
3	107415060	1	REED SENSOR WITH APPLICATOR
4	107415058	1	PCBA AFC 1M1S P2 220-240V
4	107415092	1	PCBA AFC 1M1S P2 100V
4	107415649	1	PCBA AFC 1M1S P2 110-120V
4	107415094	1	PCBA AUTO ON/OFF AFC 1M1S P2 220-240V
4	107415095	1	PCBA AUTO ON/OFF AFC 1M1S P2 110-120V
5	302004032	2	SCREW 3.5X18
6	302004030	1	STRAP FOR CABLE
7	107415096	1	DIFFUSOR 55X115X45 BLACK
8	107415097	1	COVER F. MOTORCOOLING FILTER BLUE
9	107415055	1	MOTOR KIT 1200W 220-240V 50/60HZ
9	107415098	1	MOTOR KIT 1200W 100V 50/60HZ
10	107415099	1	MOTOR KIT 1000W 110-120V 50/60HZ
11	107417399	1	CARBON BRUSH ASSY KIT
12	107415048	1	AIRGUIDE BLUE
13	302004029	9	SCREW 5X18
14	107417863	1	WIRE/CAPACITOR KIT6



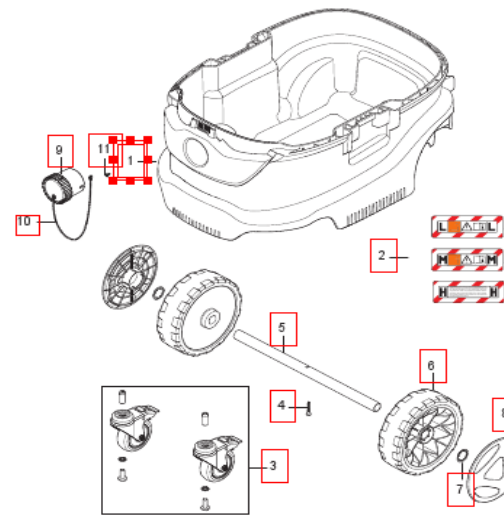
Base_M_L

No.	Part No.	Qty.	Description
1	107417112	1	SOUND ABSORBER 83X55X35
2	302004032	2	SCREW 3.5X18
3	302004030	1	STRAP FOR CABLE
4	302004031	1	DISTRIBUTION STRIP 6-POL 16A
5	107415053	2	CONTAINER CLAMP BLACK
6	107400573	1	CORD H07RN-F 3G1.5 CEE EU
6	302000692	1	POWER CORD H07BQ-F3G1.5X8.2 CE
6	302004333	1	POWER CORD H05RR-F 3G1.5X8.4 AS3112 -AU
6	302000882	1	POWER CORD SJTW-AWG16/3X8
6	107400267	1	CORD H05RR-F 3G1.0 CH
6	107402642	1	POWER CORD H05RR-F 3G1.0X8.2
6	107417418	1	POWER CORD KIT VCTF 1.25MM 3C JP PSE
7	107415074	1	BASE PLATE ASSEMBLY KIT
8	107417113	1	CONTACT SPRING W. WIRE
9	107415063	1	FLOATER WITH MAGNET
10	1814614	4	PT-SCREW K50X18 T20 WN1451 - A2
11	107415061	1	AIR FLOW COVER KIT BLACK
12	107415050	1	CONTAINER SEALING



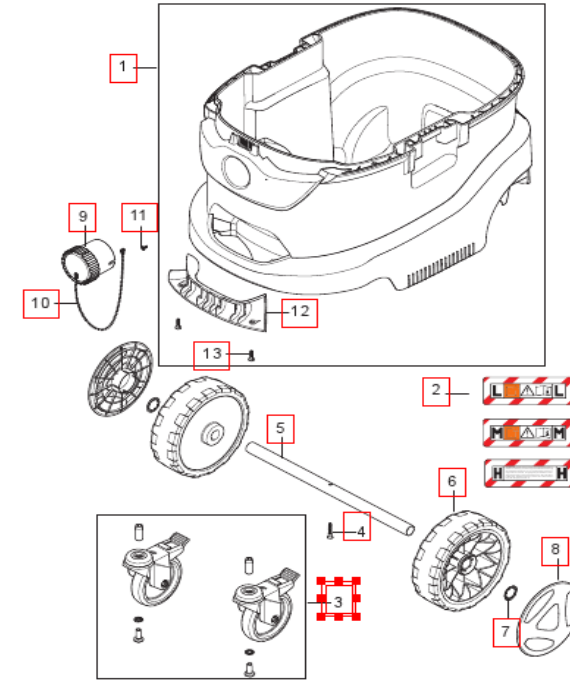
Container 30L

No.	Part No.	Qty.	Description
1	107415067		1 CONTAINER 30L NILFISK BLUE
1	107417118		1 CONTAINER 30L H-CLASS NILFISK BLUE
2	107417119		1 LABEL DUSTCLASS L 130X44 PVC
2	107401291		1 LABEL DUSTCLASS M 130X44 PVC
2	107401548		1 LABEL DUSTCLASS H 130X44 PVC
3	107417120		2 CASTOR WHEEL D75 WITH BRAKE 2 PCS.
4	107417864		1 SCREW WN1423 K50X35 BLACK TORX KIT
5	302004022		1 WHEEL AXLE
6	107417121		2 WHEEL D175 BLACK
7	47302		2 CLAMPING RING 28.6 20
8	107417122		2 WHEEL CAP D145 BLUE
9	14775		1 HOSE INLET PLUG 50MM
10	30081		1 BEAD CHAIN 150MM WITH EYES ST/
11	24738		1 SCREW KA35X 8 WN1411



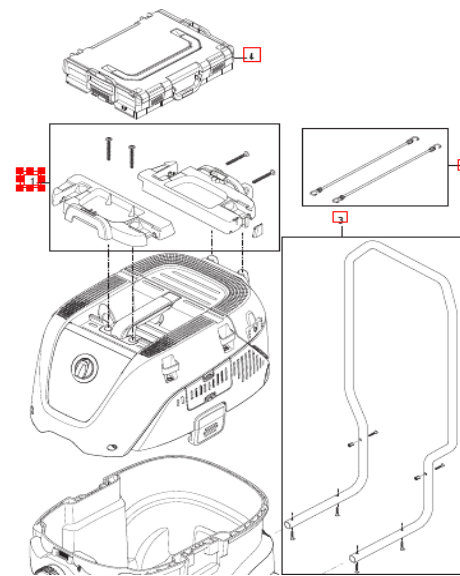
Container 42L

No.	Part No.	Qty.	Description
1	107414073		1 CONTAINER 42L KIT NILFISK BLUE
1	107417123		1 CONTAINER 42L KIT H-CLASS NILFISK BLUE
2	107417119		1 LABEL DUSTCLASS L 130X44 PVC
2	107401291		1 LABEL DUSTCLASS M 130X44 PVC
2	107401548		1 LABEL DUSTCLASS H 130X44 PVC
3	107417573		2 CASTOR WHEEL D100 WITH BRAKE 2 PCS
4	107417864		1 SCREW WN1423 K50X35 BLACK TORX KIT
5	302004022		1 WHEEL AXLE
6	107417121		2 WHEEL D175 BLACK
7	47302		2 CLAMPING RING 28.6 20
8	107417122		2 WHEEL CAP D145 BLUE
9	14775		1 HOSE INLET PLUG 50MM
10	30081		1 BEAD CHAIN 150MM WITH EYES ST/
11	24738		1 SCREW KA35X 8 WN1411
12	107417124		1 HANDLE INNER FOR CONTAINER 42L BLACK
13	302004029		2 SCREW 5X18



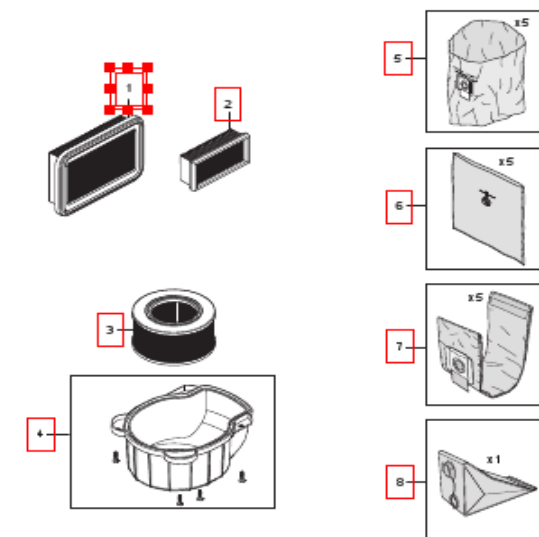
Accessories

No.	Part No.	Qty.	Description
1	107413551		1 ADAPTER PLATE KIT
2	107413553		1 FLEXIBLE STRAP SET 2 PCS
3	107413552		1 TROLLEY HANDLE KIT
4	107413554		1 STORAGE BOX KIT ATTIX 33/44



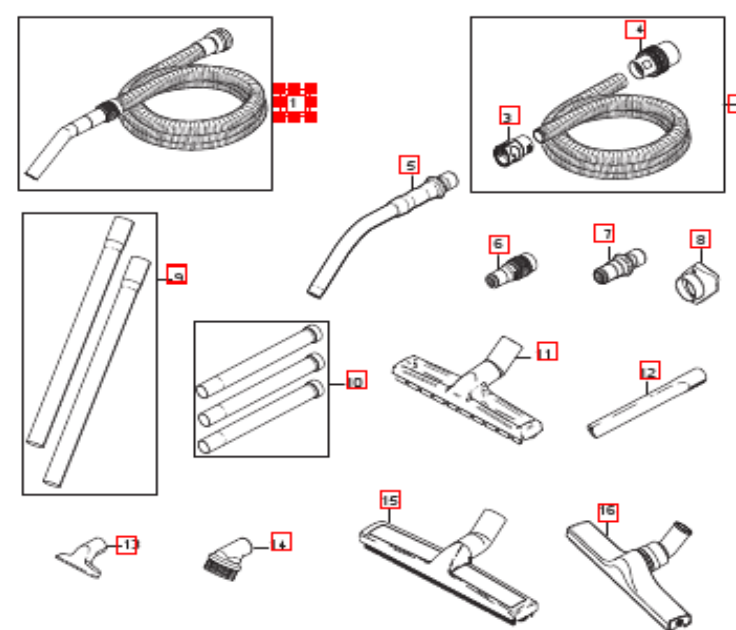
Filter and bags

No.	Part No.	Qty.	Description
1	107413540		1 FLAT FILTER PTFE M-CLASS 1 PCS
2	107413541		2 MOTOR COOLING AIR FILTER PET 1 PCS
3	107413555		3 FILTER ELEMENT Ø140X75 H-CLASS/HEPA
4	107413542		4 HEPA FILTER COVER KIT
5	107417821		5 DISPOSAL BAG ATTIX 33/44 5 PCS
6	107413549		6 SAFETY FILTER BAG 5 PCS ATTIX 33/44
7	107413547		7 FLEECE FILTER BAG 5 PCS ATTIX 33/44
8	107413556		8 LONG LIFE FILTER BAG 1 PCS ATTIX 33/44



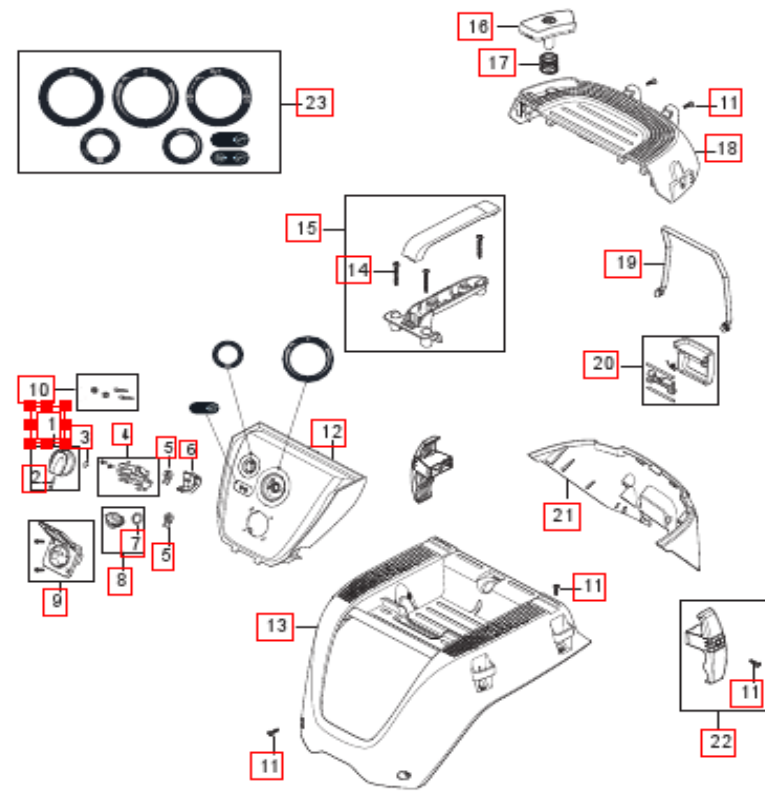
Hoses, tubes and nozzles

No.	Part No.	Qty.	Description
1	107409976		1 UNIV HOSE WITH HAND TUBE D32X3500 CPL.
2	107413543		1 HOSE Ø32X4000MM AS RED
2	107413544		1 HOSE Ø36X4000 MM AS RED
3	107417868		1 HOSE SLEEVE Ø38 AS QUICKSYSTEM
3	107417867		1 HOSE SLEEVE Ø36 AS QUICKSYSTEM
3	107417866		1 HOSE SLEEVE Ø32 AS QUICKSYSTEM
4	30928		1 HOSE SLEEVE Ø32/50 AS
4	15812		1 HOSE SLEEVE Ø36/50 AS
5	46691		1 CURVED HAND TUBE Ø36MM SS
6	107409977		1 TOOL ADAPTER WITH SUCTION REGULATION D32
7	302000535		1 TOOL ADAPTER D27 QUICKSYSTEM
8	107417865		1 EXHAUST AIR ADAPTER KIT
9	302000529		1 EXTEN TUBE D36 2X505MM ST/CR
9	107408074		1 EXTEN TUBE Ø36 2X505MM SS
10	107416995		1 EXTENSION TUBE D36 3X350 MM SS
11	302002331		1 FLOOR NOZZLE Ø36X300MM
12	29541		1 CREVICE NOZZLE D36X200
13	14295		1 UNIVERSAL NOZZLE D36X115
14	302002509		1 SUCTION BRUSH D36 BLACK
15	60356		1 FLOOR NOZZLE Ø36X360MM WET/DRY
16	302003666		1 INDST.FL.NOZZ.36X400MM W/BRUS.



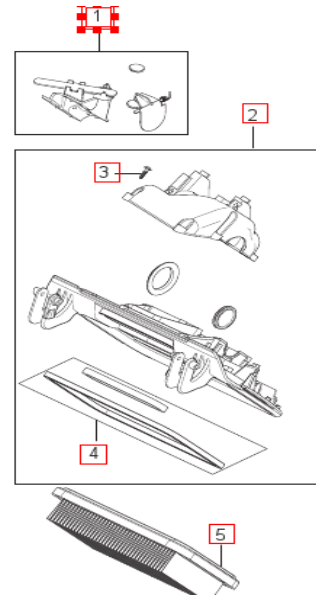
Cabinet and control panel 2M-2H PC

No.	Part No.	Qty.	Description
1	909100204		1 ROTARY KNOB 6X5 BLUE
2	32526		1 TREAD-CUTTING SCREW 2.9X19 C ISO 1483 ZN
3	9868		1 O-RING 10.2X2.5 NBR 70
4	107415076		1 ROTARY SWITCH 3 POS 16A
5	107415024		2 POTENTIOMETER W. WIRE
6	107415080		1 CAP FOR POT-METER
7	3004221		1 O-RING 16X2 NITRIL 70 SHORE
8	107415062		1 TURNING KNOB D28 BLACK
9	302004034		1 SOCKET 16A/250V EU
9	107400057		1 SOCKET 16A/110V GB
9	302004336		1 SOCKET 13A/250V GB
9	302004036		1 SOCKET 16A/250V FR
9	302004338		1 SOCKET 15A/125V US/CSA
9	107400059		1 SOCKET 10A/250V CH
9	107400060		1 SOCKET 16A/250V DK
10	107415087		1 LED INDICATOR KIT 2 PCS.
11	302003704		17 SCREW EJOT DELTA PT50X18WN5451
12	107415088		1 CONTROL PANEL KIT -2M/-2H PC BLUE
13	107415036		1 TOP COVER BLACK
14	128500203		3 SCREW K50X45 WN1451 SP
15	107415038		1 HANDLE KIT BLACK
16	107415081		1 PC BUTTON BLUE
17	107411345		1 SPRING FOR BUTTON
18	107415082		1 HATCH DOOR UPPER COVER, PC BLACK
19	107415035		1 CORD STRAP KIT
20	107415032		1 HATCH DOOR CLAMP KIT BLACK
21	107415028		1 HATCHBACK LOWER COVER BLUE
22	107415083		1 HOSE/CABLE HOOK BLACK 1 PCS.
23	107415077		1 LABEL KIT FOR CONTROL PANEL 7 PCS.



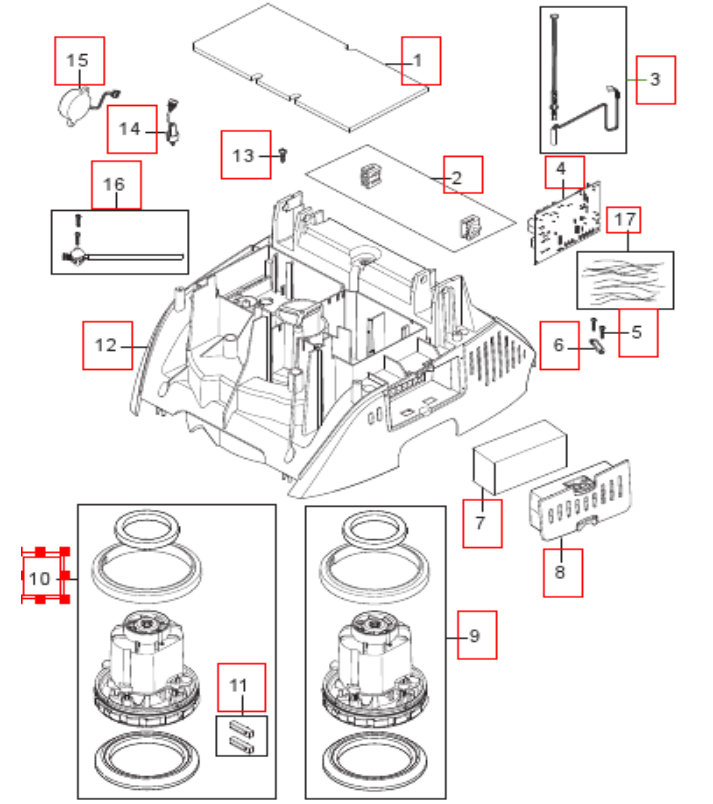
Filter system PC

No.	Part No.	Qty.	Description
1	107415064		1 PC FLAP-LEVER KIT
2	107415026		1 HATCH DOOR FRAME WITH SEALING PC
3	302004029		7 SCREW 5X18
4	107415090		1 HATCH DOOR FILTER GASKET KIT
5	107413540		1 FLAT FILTER PTFE M-CLASS 1 PCS



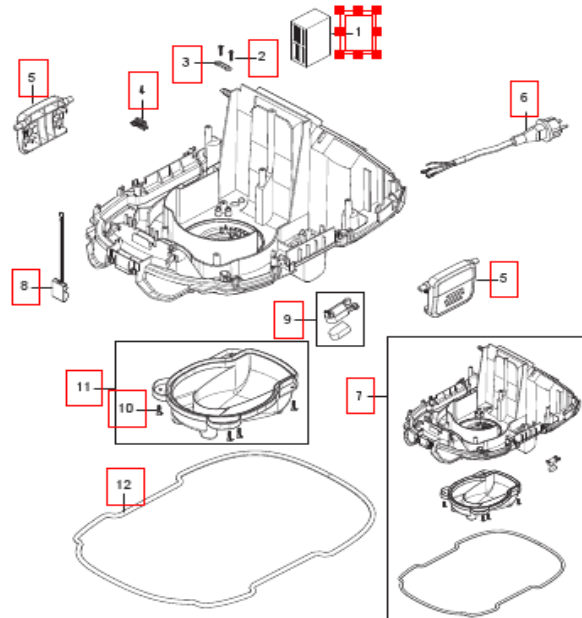
Suction unit H-M

No.	Part No.	Qty.	Description
1	107417101		1 FOAM SEALING 298X148
2	107415075		1 HATCH DOOR HINGE SNAP 2 PCS.
3	107415060		1 REED SENSOR WITH APPLICATOR
4	107415059		1 PCBA AUTO ON/OFF M 1M1S P3 220-240V
4	107417102		1 PCBA AUTO ON/OFF M 1M1S P3 110-120V
4	107417103		1 PCBA AUTO ON/OFF AFC M 1M1S P3 220-240V
4	107417104		1 PCBA AUTO ON/OFF AFC M 1M1S P3 110-120V
4	107417105		1 PCBA AUTO ON/OFF H 1M1S P3 220-240V
4	107417106		1 PCBA AUTO ON/OFF AFC H 1M1S P3 220-240V
5	302004032		2 SCREW 3.5X18
6	302004030		1 STRAP FOR CABLE
7	107415096		1 DIFFUSOR 55X115X45 BLACK
8	107415097		1 COVER F. MOTORCOOLING FILTER BLUE
9	107415055		1 MOTOR KIT 1200W 220-240V 50/60HZ
10	107415099		1 MOTOR KIT 1000W 110-120V 50/60HZ
11	107417399		1 CARBON BRUSH ASSY KIT
12	107417854		1 AIRGUIDE WITH REED SENSOR MOUNT M
13	302004029		9 SCREW 5X18
14	107416952		1 FLOW SENSOR KIT
15	107416958		1 BUZZER KIT1
16	107417111		1 PRESSURE SENSOR KIT
17	107417863		1 WIRE/CAPACITOR KIT6



Base_M_L

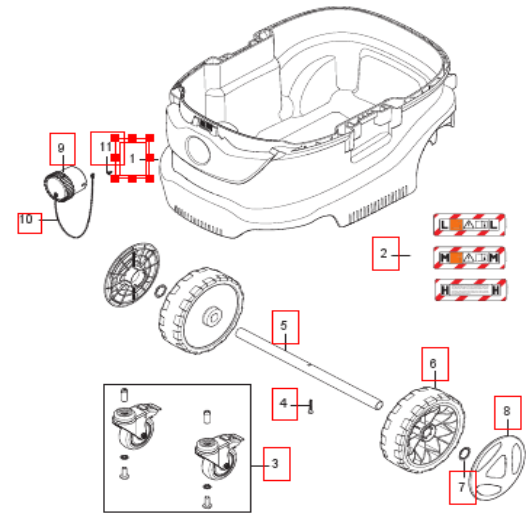
No.	Part No.	Qty.	Description
1	107417112		1 SOUND ABSORBER 83X55X35
2	302004032		2 SCREW 3.5X18
3	302004030		1 STRAP FOR CABLE
4	302004031		1 DISTRIBUTION STRIP 6-POL 16A
5	107415053		2 CONTAINER CLAMP BLACK
6	107400573		1 CORD H07RN-F 3G1.5 CEE EU
6	302000692		1 POWER CORD H07BQ-F3G1.5X8.2 CE
6	302004333		1 POWER CORD H05RR-F 3G1.5X8.4 AS3112 -AU
6	302000882		1 POWER CORD SJTW-AWG16/3X8
6	107400267		1 CORD H05RR-F 3G1.0 CH
6	107402642		1 POWER CORD H05RR-F 3G1.0X8.2
6	107417418		1 POWER CORD KIT VCTF 1.25MM 3C JP PSE
7	107415074		1 BASE PLATE ASSEMBLY KIT
8	107417113		1 CONTACT SPRING W. WIRE
9	107415063		1 FLOATER WITH MAGNET
10	1814614		4 PT-SCREW K50X18 T20 WN1451 - A2
11	107415061		1 AIR FLOW COVER KIT BLACK



12 107415050 1 CONTAINER SEALING

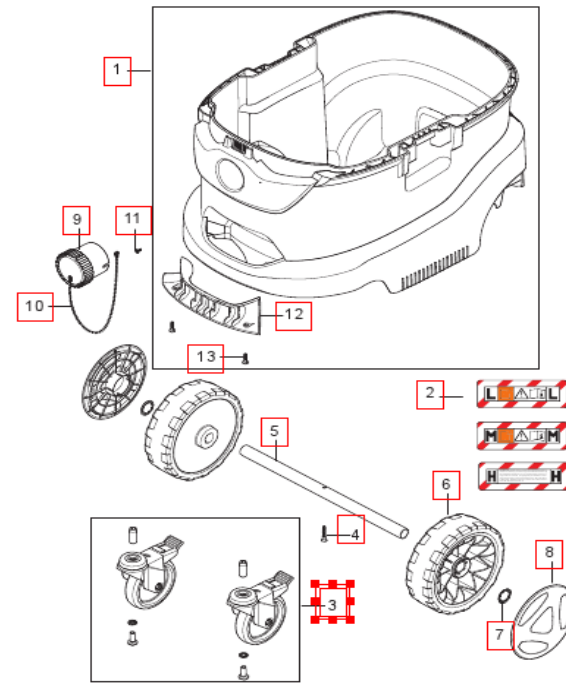
Container 30L

No.	Part No.	Qty.	Description
1	107415067		1 CONTAINER 30L NILFISK BLUE
1	107417118		1 CONTAINER 30L H-CLASS NILFISK BLUE
2	107417119		1 LABEL DUSTCLASS L 130X44 PVC
2	107401291		1 LABEL DUSTCLASS M 130X44 PVC
2	107401548		1 LABEL DUSTCLASS H 130X44 PVC
3	107417120		2 CASTOR WHEEL D75 WITH BRAKE 2 PCS.
4	107417864		1 SCREW WN1423 K50X35 BLACK TORX KIT
5	302004022		1 WHEEL AXLE
6	107417121		2 WHEEL D175 BLACK
7	47302		2 CLAMPING RING 28.6 20
8	107417122		2 WHEEL CAP D145 BLUE
9	14775		1 HOSE INLET PLUG 50MM
10	30081		1 BEAD CHAIN 150MM WITH EYES ST/
11	24738		1 SCREW KA35X 8 WN1411



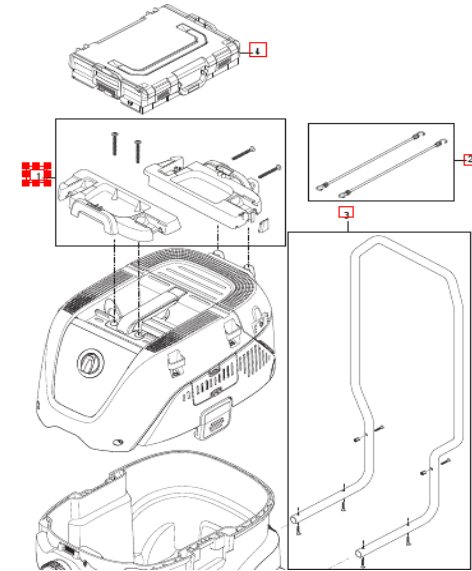
Container 42L

No.	Part No.	Qty.	Description
1	107414073		1 CONTAINER 42L KIT NILFISK BLUE
1	107417123		1 CONTAINER 42L KIT H-CLASS NILFISK BLUE
2	107417119		1 LABEL DUSTCLASS L 130X44 PVC
2	107401291		1 LABEL DUSTCLASS M 130X44 PVC
2	107401548		1 LABEL DUSTCLASS H 130X44 PVC
3	107417573		2 CASTOR WHEEL D100 WITH BRAKE 2 PCS
4	107417864		1 SCREW WN1423 K50X35 BLACK TORX KIT
5	302004022		1 WHEEL AXLE
6	107417121		2 WHEEL D175 BLACK
7	47302		2 CLAMPING RING 28.6 20
8	107417122		2 WHEEL CAP D145 BLUE
9	14775		1 HOSE INLET PLUG 50MM
10	30081		1 BEAD CHAIN 150MM WITH EYES ST/
11	24738		1 SCREW KA35X 8 WN1411
12	107417124		1 HANDLE INNER FOR CONTAINER 42L BLACK
13	302004029		2 SCREW 5X18



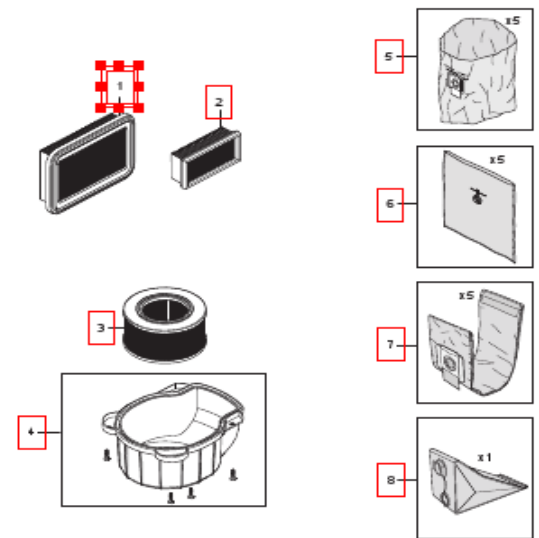
Accessories

No.	Part No.	Qty.	Description
1	107413551		1 ADAPTER PLATE KIT
2	107413553		1 FLEXIBLE STRAP SET 2 PCS
3	107413552		1 TROLLEY HANDLE KIT
4	107413554		1 STORAGE BOX KIT ATTIX 33/44



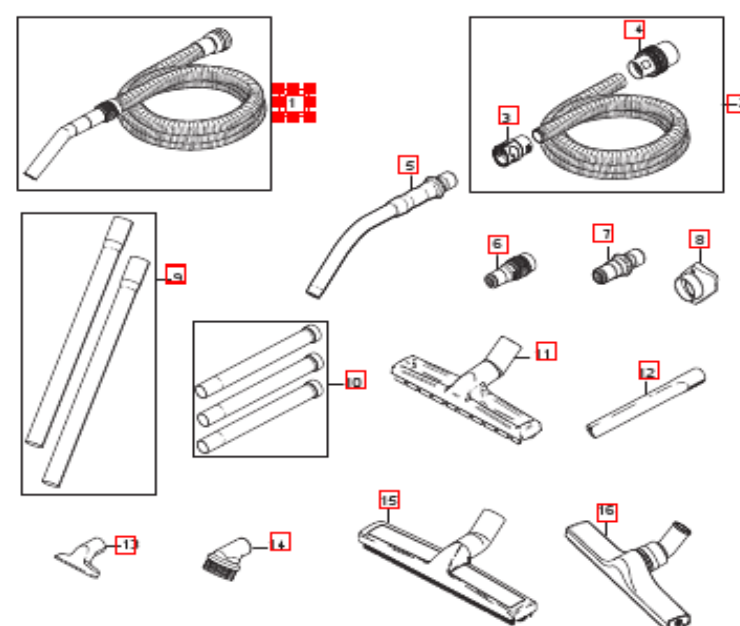
Filter and bags

No.	Part No.	Qty.	Description
1	107413540		1 FLAT FILTER PTFE M-CLASS 1 PCS
2	107413541		2 MOTOR COOLING AIR FILTER PET 1 PCS
3	107413555		3 FILTER ELEMENT Ø140X75 H-CLASS/HEPA
4	107413542		4 HEPA FILTER COVER KIT
5	107417821		5 DISPOSAL BAG ATTIX 33/44 5 PCS
6	107413549		6 SAFETY FILTER BAG 5 PCS ATTIX 33/44
7	107413547		7 FLEECE FILTER BAG 5 PCS ATTIX 33/44
8	107413556		8 LONG LIFE FILTER BAG 1 PCS ATTIX 33/44



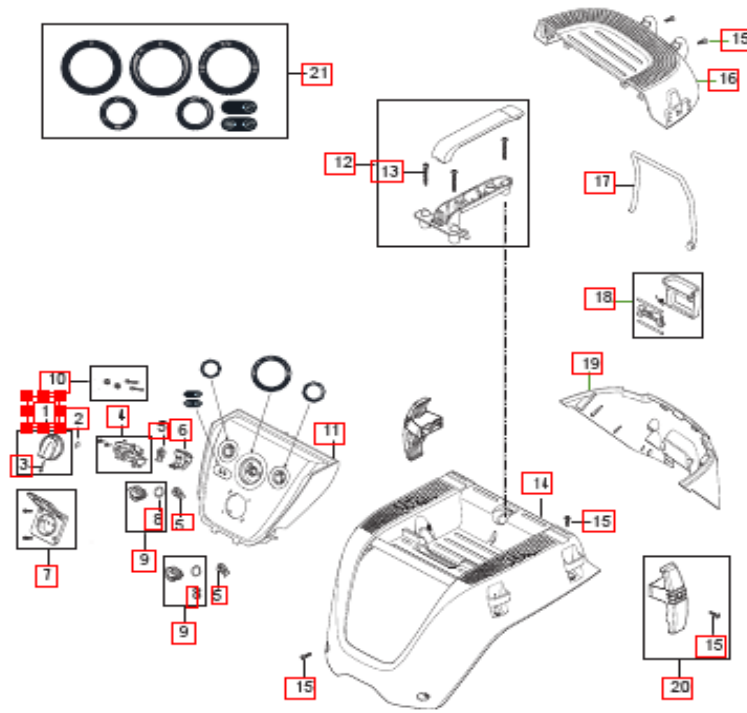
Hoses, tubes and nozzles

No.	Part No.	Qty.	Description
1	107409976		1 UNIV HOSE WITH HAND TUBE D32X3500 CPL.
2	107413543		1 HOSE Ø32X4000MM AS RED
2	107413544		1 HOSE Ø36X4000 MM AS RED
3	107417868		1 HOSE SLEEVE Ø38 AS QUICKSYSTEM
3	107417867		1 HOSE SLEEVE Ø36 AS QUICKSYSTEM
3	107417866		1 HOSE SLEEVE Ø32 AS QUICKSYSTEM
4	30928		1 HOSE SLEEVE Ø32/50 AS
4	15812		1 HOSE SLEEVE Ø36/50 AS
5	46691		1 CURVED HAND TUBE Ø36MM SS
6	107409977		1 TOOL ADAPTER WITH SUCTION REGULATION D32
7	302000535		1 TOOL ADAPTER D27 QUICKSYSTEM
8	107417865		1 EXHAUST AIR ADAPTER KIT
9	302000529		1 EXTEN TUBE D36 2X505MM ST/CR
9	107408074		1 EXTEN TUBE Ø36 2X505MM SS
10	107416995		1 EXTENSION TUBE D36 3X350 MM SS
11	302002331		1 FLOOR NOZZLE Ø36X300MM
12	29541		1 CREVICE NOZZLE D36X200
13	14295		1 UNIVERSAL NOZZLE D36X115
14	302002509		1 SUCTION BRUSH D36 BLACK
15	60356		1 FLOOR NOZZLE Ø36X360MM WET/DRY
16	302003666		1 INDST.FL.NOZZ.36X400MM W/BRUS.



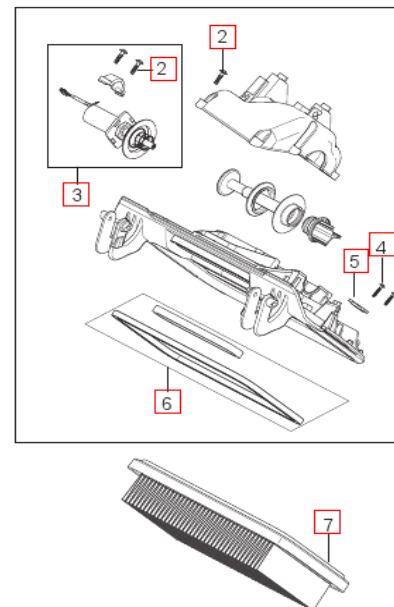
Cabinet and control panel 2M-2H IC

No.	Part No.	Qty.	Description
1	909100204		1 ROTARY KNOB 6X5 BLUE
2	32526		1 TREAD-CUTTING SCREW 2.9X19 C ISO 1483 ZN
3	9868		1 O-RING 10.2X2.5 NBR 70
4	107415085		1 ROTARY SWITCH 5 POS 16A
5	107415024		3 POTENTIOMETER W. WIRE
6	107415080		1 CAP FOR POT-METER
7	302004034		1 SOCKET 16A/250V EU
7	302004036		1 SOCKET 16A/250V FR
7	107400057		1 SOCKET 16A/110V GB
7	302004336		1 SOCKET 13A/250V GB
7	302004338		1 SOCKET 15A/125V US/CSA
7	107400059		1 SOCKET 10A/250V CH
7	107400060		1 SOCKET 16A/250V DK
8	3004221		2 O-RING 16X2 NITRIL 70 SHORE
9	107415062		2 TURNING KNOB D28 BLACK
10	107415087		1 LED INDICATOR KIT 2 PCS.
11	107415089		1 CONTROL PANEL KIT -2M/-2H IC BLUE
12	107415038		1 HANDLE KIT BLACK
13	128500203		3 SCREW K50X45 WN1451 SP
14	107415036		1 TOP COVER BLACK
15	302003704		17 SCREW EJOT DELTA PT50X18WN5451
16	107415086		1 HATCH DOOR UPPER COVER, IC BLACK
17	107415035		1 CORD STRAP KIT
18	107415032		1 HATCH DOOR CLAMP KIT BLACK
19	107415028		1 HATCHBACK LOWER COVER BLUE
20	107415083		2 HOSE/CABLE HOOK BLACK 1 PCS.
21	107415077		1 LABEL KIT FOR CONTROL PANEL 7 PCS.



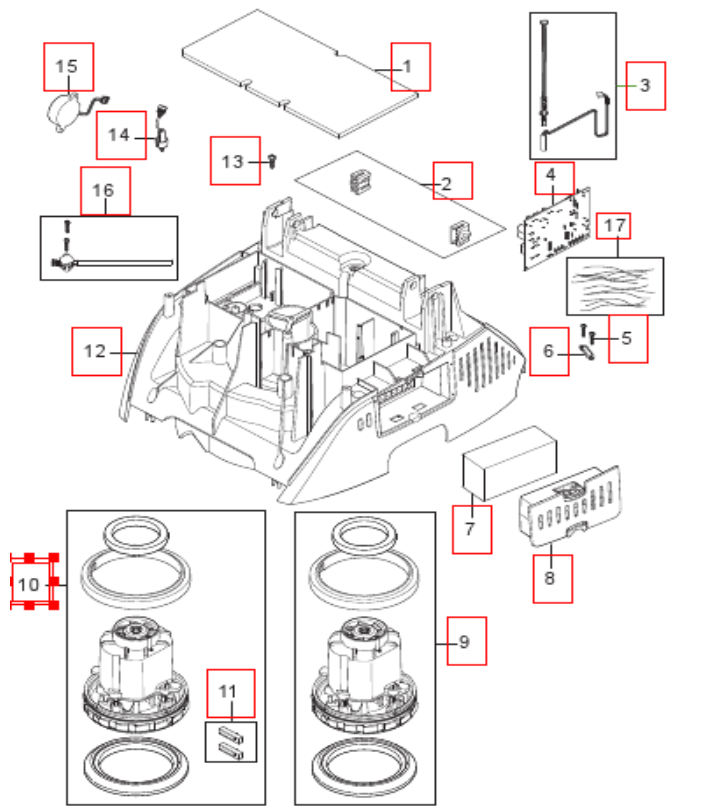
Filter system IC

No.	Part No.	Qty.	Description
1	107415027		1 HATCH DOOR FRAME WITH SEALING IC
1	107417859		1 HATCH DOOR FRAME W. SEALING 100-120V IC
2	302003704		15 SCREW EJOT DELTA PT50X18WN5451
3	107415031		1 SOLENOID KIT 220-240V
3	107415079		1 SOLENOID KIT 100-120V
4	302003705		2 SCREW EJOT DELTA PT35X18WN5451
5	5697		1 STRAP 3X8X33
6	107415090		1 HATCH DOOR FILTER GASKET KIT
7	107413540		1 FLAT FILTER PTFE M-CLASS 1 PCS



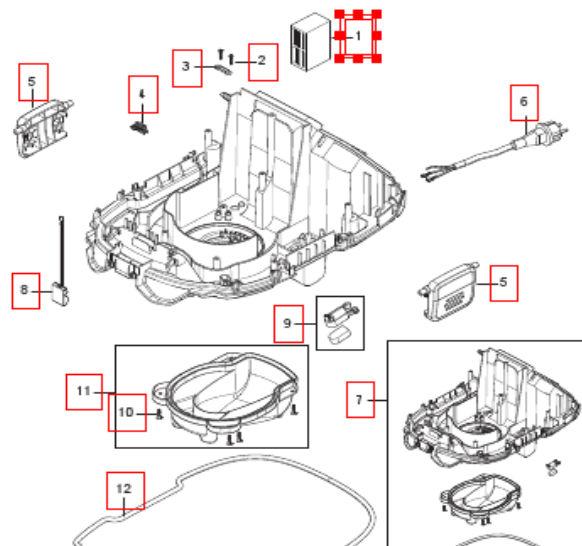
Suction unit H-M

No.	Part No.	Qty.	Description
1	107417101		1 FOAM SEALING 298X148
2	107415075		1 HATCH DOOR HINGE SNAP 2 PCS.
3	107415060		1 REED SENSOR WITH APPLICATOR
4	107415059		1 PCBA AUTO ON/OFF M 1M1S P3 220-240V
4	107417102		1 PCBA AUTO ON/OFF M 1M1S P3 110-120V
4	107417103		1 PCBA AUTO ON/OFF AFC M 1M1S P3 220-240V
4	107417104		1 PCBA AUTO ON/OFF AFC M 1M1S P3 110-120V
4	107417105		1 PCBA AUTO ON/OFF H 1M1S P3 220-240V
4	107417106		1 PCBA AUTO ON/OFF AFC H 1M1S P3 220-240V
5	302004032		2 SCREW 3.5X18
6	302004030		1 STRAP FOR CABLE
7	107415096		1 DIFFUSOR 55X115X45 BLACK
8	107415097		1 COVER F. MOTORCOOLING FILTER BLUE
9	107415055		1 MOTOR KIT 1200W 220-240V 50/60HZ
10	107415099		1 MOTOR KIT 1000W 110-120V 50/60HZ
11	107417399		1 CARBON BRUSH ASSY KIT
12	107417854		1 AIRGUIDE WITH REED SENSOR MOUNT M
13	302004029		9 SCREW 5X18
14	107416952		1 FLOW SENSOR KIT
15	107416958		1 BUZZER KIT1
16	107417111		1 PRESSURE SENSOR KIT
17	107417863		1 WIRE/CAPACITOR KIT6



Base_M_L

No.	Part No.	Qty.	Description
1	107417112		1 SOUND ABSORBER 83X55X35
2	302004032		2 SCREW 3.5X18
3	302004030		1 STRAP FOR CABLE
4	302004031		1 DISTRIBUTION STRIP 6-POL 16A
5	107415053		2 CONTAINER CLAMP BLACK
6	107400573		1 CORD H07RN-F 3G1.5 CEE EU
6	302000692		1 POWER CORD H07BQ-F3G1.5X8.2 CE
6	302004333		1 POWER CORD H05RR-F 3G1.5X8.4 AS3112 -AU
6	302000882		1 POWER CORD SJTW-AWG16/3X8
6	107400267		1 CORD H05RR-F 3G1.0 CH
6	107402642		1 POWER CORD H05RR-F 3G1.0X8.2
6	107417418		1 POWER CORD KIT VCTF 1.25MM 3C JP PSE
7	107415074		1 BASE PLATE ASSEMBLY KIT
8	107417113		1 CONTACT SPRING W. WIRE
9	107415063		1 FLOATER WITH MAGNET

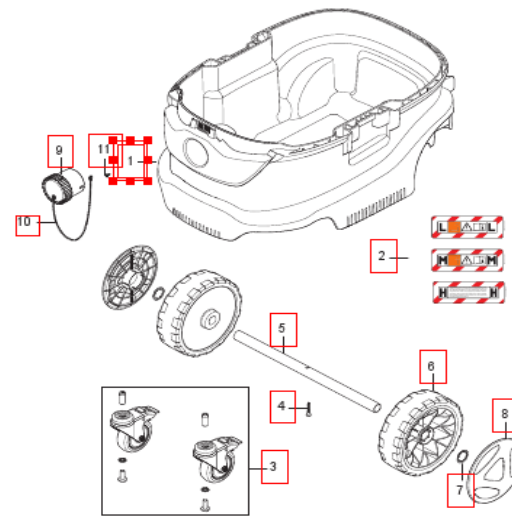


10	1814614	4 PT-SCREW K50X18 T20 WN1451 - A2
11	107415061	1 AIR FLOW COVER KIT BLACK
12	107415050	1 CONTAINER SEALING



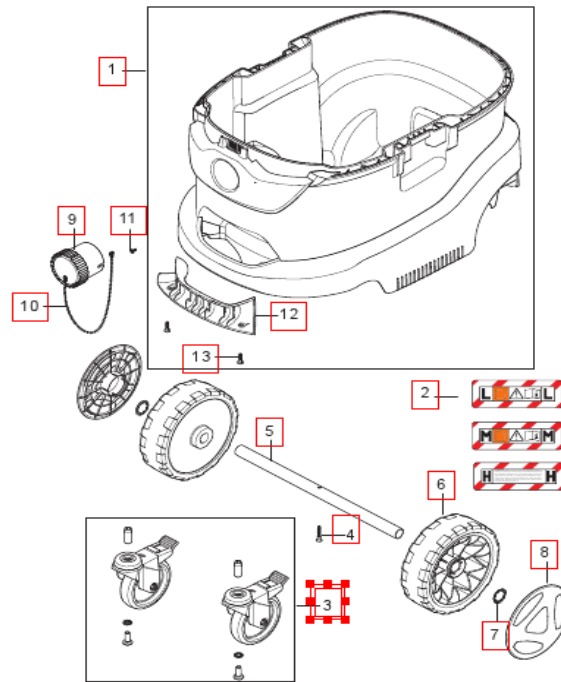
Container 30L

No.	Part No.	Qty.	Description
1	107415067	1	CONTAINER 30L NILFISK BLUE
1	107417118	1	CONTAINER 30L H-CLASS NILFISK BLUE
2	107417119	1	LABEL DUSTCLASS L 130X44 PVC
2	107401291	1	LABEL DUSTCLASS M 130X44 PVC
2	107401548	1	LABEL DUSTCLASS H 130X44 PVC
3	107417120	2	CASTOR WHEEL D75 WITH BRAKE 2 PCS.
4	107417864	1	SCREW WN1423 K50X35 BLACK TORX KIT
5	302004022	1	WHEEL AXLE
6	107417121	2	WHEEL D175 BLACK
7	47302	2	CLAMPING RING 28.6 20
8	107417122	2	WHEEL CAP D145 BLUE
9	14775	1	HOSE INLET PLUG 50MM
10	30081	1	BEAD CHAIN 150MM WITH EYES ST/
11	24738	1	SCREW KA35X 8 WN1411



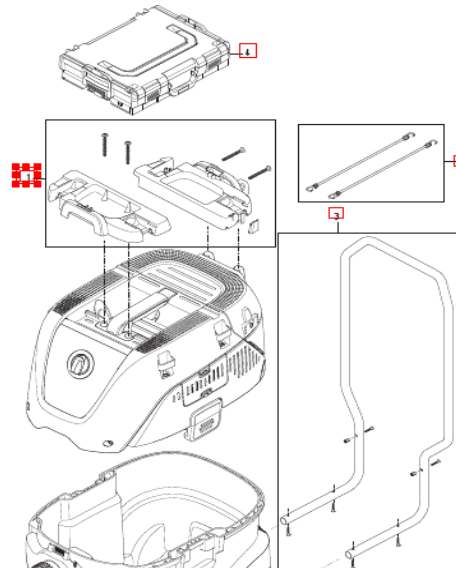
Container 42L

No.	Part No.	Qty.	Description
1	107414073	1	CONTAINER 42L KIT NILFISK BLUE
1	107417123	1	CONTAINER 42L KIT H-CLASS NILFISK BLUE
2	107417119	1	LABEL DUSTCLASS L 130X44 PVC
2	107401291	1	LABEL DUSTCLASS M 130X44 PVC
2	107401548	1	LABEL DUSTCLASS H 130X44 PVC
3	107417573	2	CASTOR WHEEL D100 WITH BRAKE 2 PCS
4	107417864	1	SCREW WN1423 K50X35 BLACK TORX KIT
5	302004022	1	WHEEL AXLE
6	107417121	2	WHEEL D175 BLACK
7	47302	2	CLAMPING RING 28.6 20
8	107417122	2	WHEEL CAP D145 BLUE
9	14775	1	HOSE INLET PLUG 50MM
10	30081	1	BEAD CHAIN 150MM WITH EYES ST/
11	24738	1	SCREW KA35X 8 WN1411
12	107417124	1	HANDLE INNER FOR CONTAINER 42L BLACK
13	302004029	2	SCREW 5X18



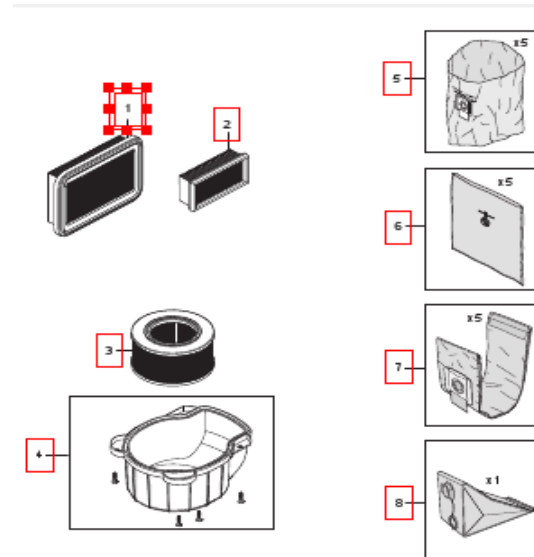
Accessories

No.	Part No.	Qty.	Description
1	107413551	1	ADAPTER PLATE KIT
2	107413553	1	FLEXIBLE STRAP SET 2 PCS
3	107413552	1	TROLLEY HANDLE KIT
4	107413554	1	STORAGE BOX KIT ATTIX 33/44



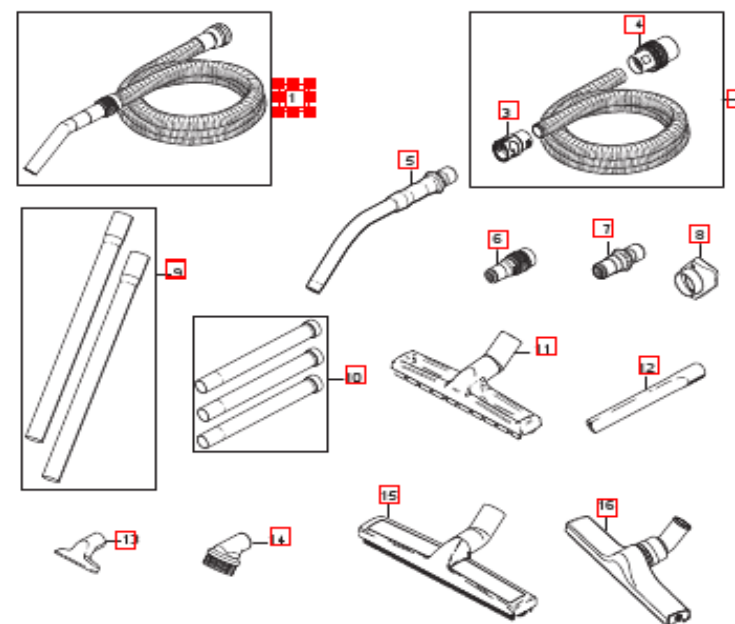
Filter and bags

No.	Part No.	Qty.	Description
1	107413540	1	FLAT FILTER PTFE M-CLASS 1 PCS
2	107413541	2	MOTOR COOLING AIR FILTER PET 1 PCS
3	107413555	3	FILTER ELEMENT Ø140X75 H-CLASS/HEPA
4	107413542	4	HEPA FILTER COVER KIT
5	107417821	5	DISPOSAL BAG ATTIX 33/44 5 PCS
6	107413549	6	SAFETY FILTER BAG 5 PCS ATTIX 33/44
7	107413547	7	FLEECE FILTER BAG 5 PCS ATTIX 33/44
8	107413556	8	LONG LIFE FILTER BAG 1 PCS ATTIX 33/44



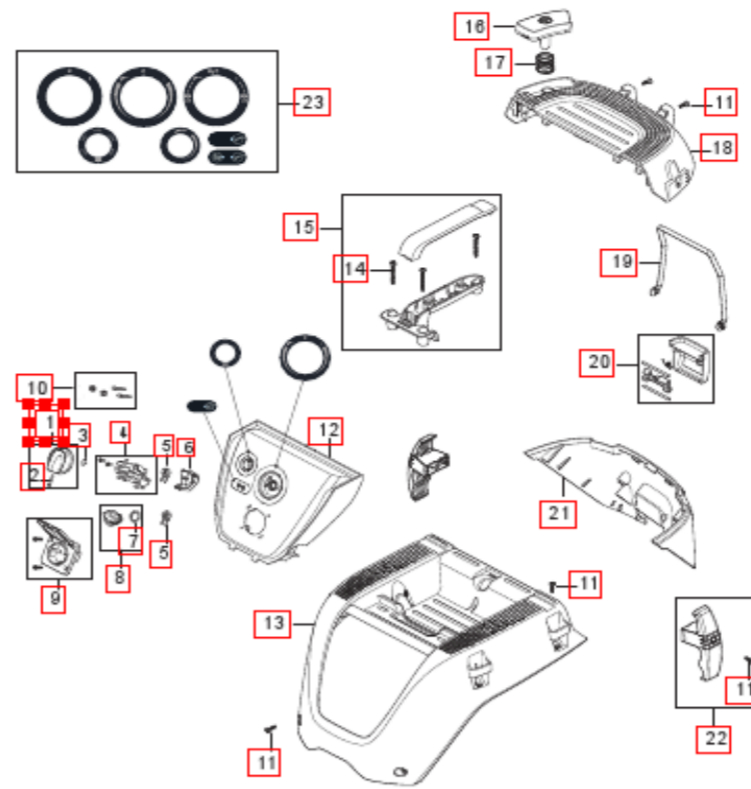
Hoses, tubes and nozzles

No.	Part No.	Qty.	Description
1	107409976	1	UNIV HOSE WITH HAND TUBE D32X3500 CPL.
2	107413543	1	HOSE Ø32X4000MM AS RED
2	107413544	1	HOSE Ø36X4000 MM AS RED
3	107417868	1	HOSE SLEEVE Ø38 AS QUICKSYSTEM
3	107417867	1	HOSE SLEEVE Ø36 AS QUICKSYSTEM
3	107417866	1	HOSE SLEEVE Ø32 AS QUICKSYSTEM
4	30928	1	HOSE SLEEVE Ø32/50 AS
4	15812	1	HOSE SLEEVE Ø36/50 AS
5	46691	1	CURVED HAND TUBE Ø36MM SS
6	107409977	1	TOOL ADAPTER WITH SUCTION REGULATION D32
7	302000535	1	TOOL ADAPTER D27 QUICKSYSTEM
8	107417865	1	EXHAUST AIR ADAPTER KIT
9	302000529	1	EXTEN TUBE D36 2X505MM ST/CR
9	107408074	1	EXTEN TUBE Ø36 2X505MM SS
10	107416995	1	EXTENSION TUBE D36 3X350 MM SS
11	302002331	1	FLOOR NOZZLE Ø36X300MM
12	29541	1	CREVICE NOZZLE D36X200
13	14295	1	UNIVERSAL NOZZLE D36X115
14	302002509	1	SUCTION BRUSH D36 BLACK
15	60356	1	FLOOR NOZZLE Ø36X360MM WET/DRY
16	302003666	1	INDST.FL.NOZZ.36X400MM W/BRUS.



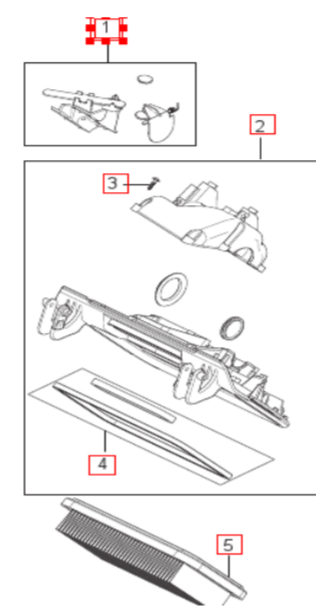
Cabinet and control panel 2M-2H PC

No.	Part No.	Qty.	Description
1	909100204		1 ROTARY KNOB 6X5 BLUE
2	32526		1 TREAD-CUTTING SCREW 2.9X19 C ISO 1483 ZN
3	9868		1 O-RING 10.2X2.5 NBR 70
4	107415076		1 ROTARY SWITCH 3 POS 16A
5	107415024		2 POTENTIOMETER W. WIRE
6	107415080		1 CAP FOR POT-METER
7	3004221		1 O-RING 16X2 NITRIL 70 SHORE
8	107415062		1 TURNING KNOB D28 BLACK
9	302004034		1 SOCKET 16A/250V EU
9	107400057		1 SOCKET 16A/110V GB
9	302004336		1 SOCKET 13A/250V GB
9	302004036		1 SOCKET 16A/250V FR
9	302004338		1 SOCKET 15A/125V US/CSA
9	107400059		1 SOCKET 10A/250V CH
9	107400060		1 SOCKET 16A/250V DK
10	107415087		1 LED INDICATOR KIT 2 PCS.
11	302003704		17 SCREW EJOT DELTA PT50X18WN5451
12	107415088		1 CONTROL PANEL KIT -2M/-2H PC BLUE
13	107415036		1 TOP COVER BLACK
14	128500203		3 SCREW K50X45 WN1451 SP
15	107415038		1 HANDLE KIT BLACK
16	107415081		1 PC BUTTON BLUE
17	107411345		1 SPRING FOR BUTTON
18	107415082		1 HATCH DOOR UPPER COVER, PC BLACK
19	107415035		1 CORD STRAP KIT
20	107415032		1 HATCH DOOR CLAMP KIT BLACK
21	107415028		1 HATCHBACK LOWER COVER BLUE
22	107415083		1 HOSE/CABLE HOOK BLACK 1 PCS.
23	107415077		1 LABEL KIT FOR CONTROL PANEL 7 PCS.



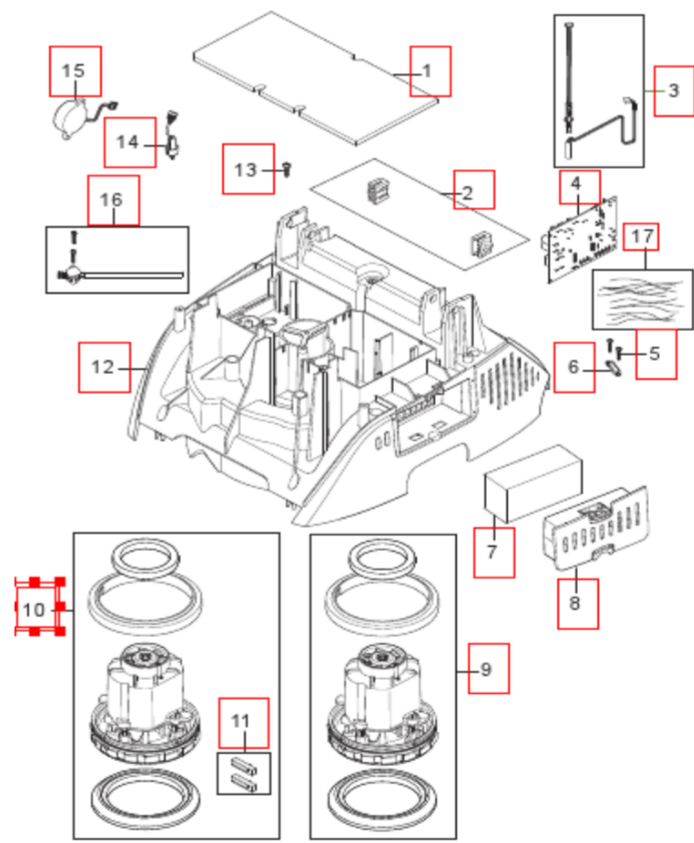
Filter system PC

No.	Part No.	Qty.	Description
1	107415064		1 PC FLAP-LEVER KIT
2	107415026		1 HATCH DOOR FRAME WITH SEALING PC
3	302004029		7 SCREW 5X18
4	107415090		1 HATCH DOOR FILTER GASKET KIT
5	107413540		1 FLAT FILTER PTFE M-CLASS 1 PCS



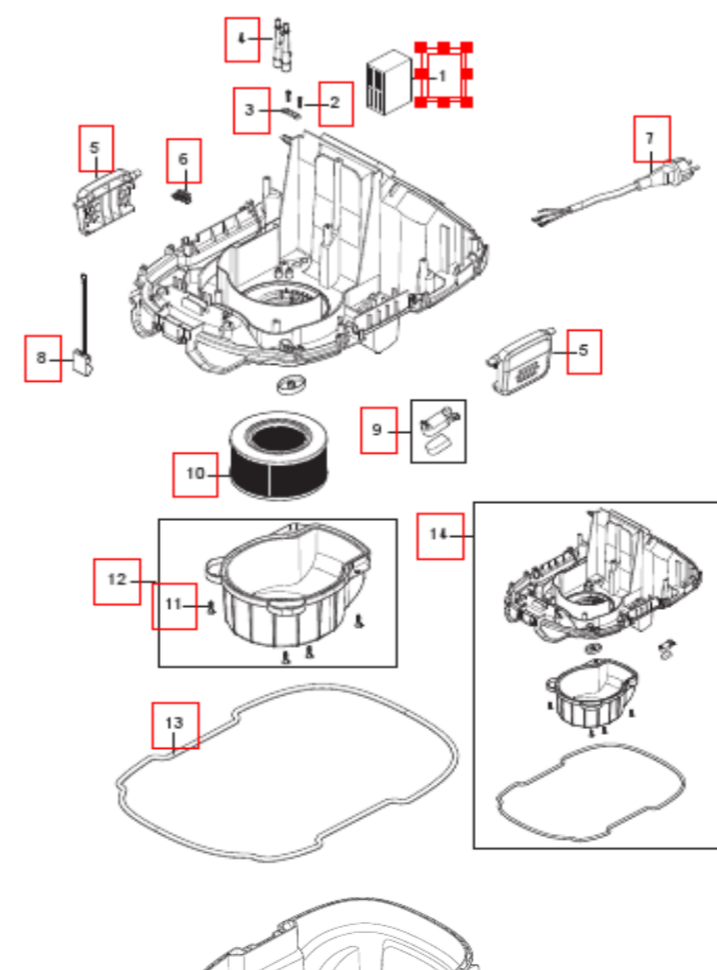
Suction unit H-M

No.	Part No.	Qty.	Description
1	107417101		1 FOAM SEALING 298X148
2	107415075		1 HATCH DOOR HINGE SNAP 2 PCS.
3	107415060		1 REED SENSOR WITH APPLICATOR
4	107415059		1 PCBA AUTO ON/OFF M 1M1S P3 220-240V
4	107417102		1 PCBA AUTO ON/OFF M 1M1S P3 110-120V
4	107417103		1 PCBA AUTO ON/OFF AFC M 1M1S P3 220-240V
4	107417104		1 PCBA AUTO ON/OFF AFC M 1M1S P3 110-120V
4	107417105		1 PCBA AUTO ON/OFF H 1M1S P3 220-240V
4	107417106		1 PCBA AUTO ON/OFF AFC H 1M1S P3 220-240V
5	302004032		2 SCREW 3.5X18
6	302004030		1 STRAP FOR CABLE
7	107415096		1 DIFFUSOR 55X115X45 BLACK
8	107415097		1 COVER F. MOTORCOOLING FILTER BLUE
9	107415055		1 MOTOR KIT 1200W 220-240V 50/60HZ
10	107415099		1 MOTOR KIT 1000W 110-120V 50/60HZ
11	107417399		1 CARBON BRUSH ASSY KIT
12	107417854		1 AIRGUIDE WITH REED SENSOR MOUNT M
13	302004029		9 SCREW 5X18
14	107416952		1 FLOW SENSOR KIT
15	107416958		1 BUZZER KIT1
16	107417111		1 PRESSURE SENSOR KIT
17	107417863		1 WIRE/CAPACITOR KIT6



Base_H class

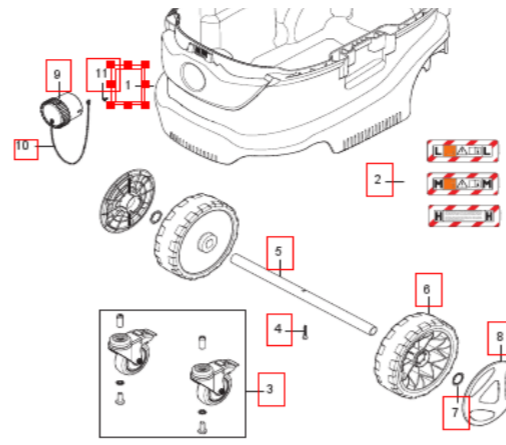
No.	Part No.	Qty.	Description
1	107417112		1 SOUND ABSORBER 83X55X35
2	302004032		2 SCREW 3.5X18
3	302004030		1 STRAP FOR CABLE
4	107417115		1 BY-PASS AIR CHANEL
5	107415053		2 CONTAINER CLAMP BLACK
6	302004031		1 DISTRIBUTION STRIP 6-POL 16A
7	107400573		1 CORD H07RN-F 3G1.5 CEE EU
7	302000692		1 POWER CORD H07BQ-F3G1.5X8.2 CE
7	302004333		1 POWER CORD H05RR-F 3G1.5X8.4 AS3112 -AU
7	107400267		1 CORD H05RR-F 3G1.0 CH
7	302000882		1 POWER CORD SJTW-AWG16/3X8
7	107402642		1 POWER CORD H05RR-F 3G1.0X8.2
7	107417418		1 POWER CORD KIT VCTF 1.25MM 3C JP PSE
8	107417113		1 CONTACT SPRING W. WIRE
9	107415063		1 FLOATER WITH MAGNET
10	107413555		1 FILTER ELEMENT Ø140X75 H-CLASS/HEPA
11	L08603986		4 SCREW M6X12 PAN HD PHIL SS ISO7045
12	107413542		1 HEPA FILTER COVER KIT
13	107415050		1 CONTAINER SEALING
14	107417117		1 BASE PLATE ASSEMBLY H-CLASS KIT



Container 30L

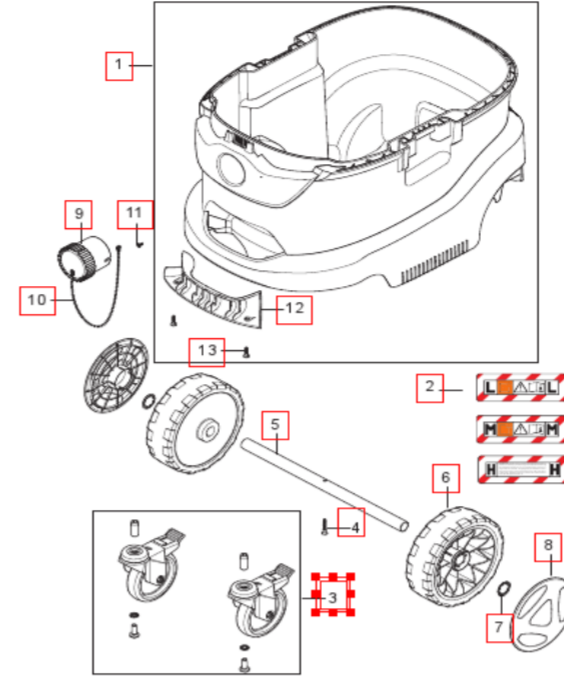
No.	Part No.	Qty.	Description
1	107415067		1 CONTAINER 30L NILFISK BLUE
1	107417118		1 CONTAINER 30L H-CLASS NILFISK BLUE
2	107417119		1 LABEL DUSTCLASS L 130X44 PVC

2	107401291	1 LABEL DUSTCLASS M 130X44 PVC
2	107401548	1 LABEL DUSTCLASS H 130X44 PVC
3	107417120	2 CASTOR WHEEL D75 WITH BRAKE 2 PCS.
4	107417864	1 SCREW WN1423 K50X35 BLACK TORX KIT
5	302004022	1 WHEEL AXLE
6	107417121	2 WHEEL D175 BLACK
7	47302	2 CLAMPING RING 28.6 20
8	107417122	2 WHEEL CAP D145 BLUE
9	14775	1 HOSE INLET PLUG 50MM
10	30081	1 BEAD CHAIN 150MM WITH EYES ST/
11	24738	1 SCREW KA35X 8 WN1411



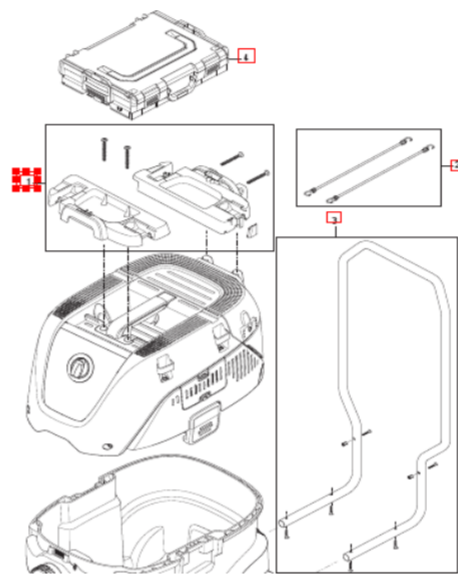
Container 42L

No.	Part No.	Qty.	Description
1	107414073	1	1 CONTAINER 42L KIT NILFISK BLUE
1	107417123	1	1 CONTAINER 42L KIT H-CLASS NILFISK BLUE
2	107417119	1	1 LABEL DUSTCLASS L 130X44 PVC
2	107401291	1	1 LABEL DUSTCLASS M 130X44 PVC
2	107401548	1	1 LABEL DUSTCLASS H 130X44 PVC
3	107417573	2	2 CASTOR WHEEL D100 WITH BRAKE 2 PCS
4	107417864	1	1 SCREW WN1423 K50X35 BLACK TORX KIT
5	302004022	1	1 WHEEL AXLE
6	107417121	2	2 WHEEL D175 BLACK
7	47302	2	2 CLAMPING RING 28.6 20
8	107417122	2	2 WHEEL CAP D145 BLUE
9	14775	1	1 HOSE INLET PLUG 50MM
10	30081	1	1 BEAD CHAIN 150MM WITH EYES ST/
11	24738	1	1 SCREW KA35X 8 WN1411
12	107417124	1	1 HANDLE INNER FOR CONTAINER 42L BLACK
13	302004029	2	2 SCREW 5X18



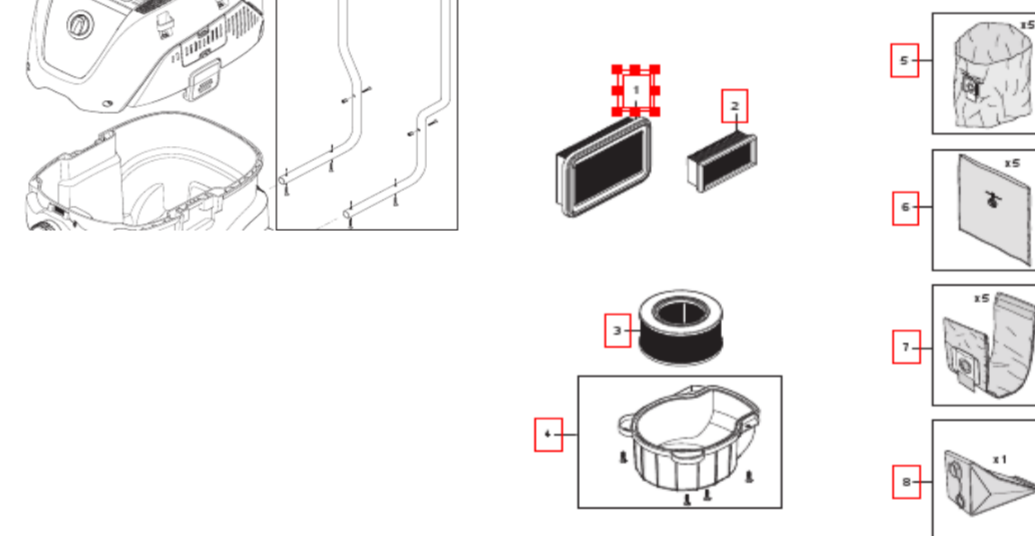
Accessories

No.	Part No.	Qty.	Description
1	107413551	1	1 ADAPTER PLATE KIT
2	107413553	1	1 FLEXIBLE STRAP SET 2 PCS
3	107413552	1	1 TROLLEY HANDLE KIT
4	107413554	1	1 STORAGE BOX KIT ATTIX 33/44



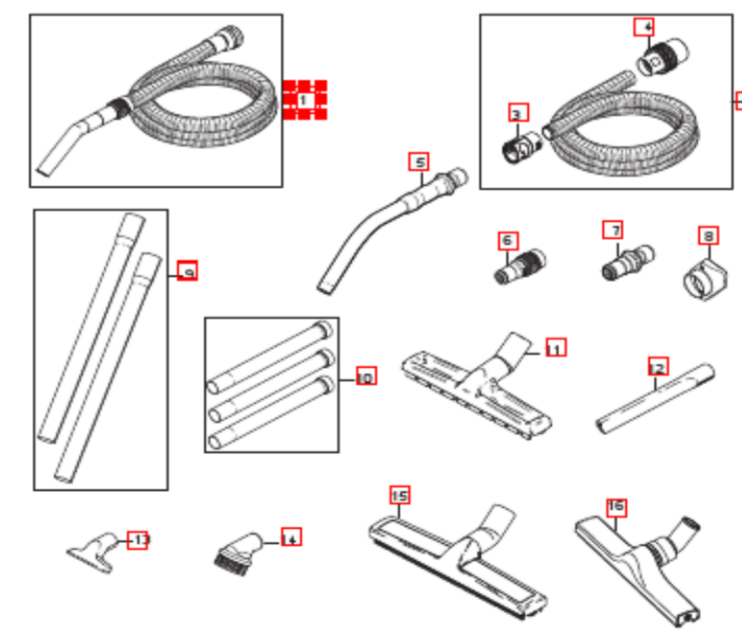
Filter and bags

No.	Part No.	Qty.	Description
1	107413540	1	1 FLAT FILTER PTFE M-CLASS 1 PCS
2	107413541	2	2 MOTOR COOLING AIR FILTER PET 1 PCS
3	107413555	3	3 FILTER ELEMENT Ø140X75 H-CLASS/HEPA
4	107413542	4	4 HEPA FILTER COVER KIT
5	107417821	5	5 DISPOSAL BAG ATTIX 33/44 5 PCS
6	107413549	6	6 SAFETY FILTER BAG 5 PCS ATTIX 33/44
7	107413547	7	7 FLEECE FILTER BAG 5 PCS ATTIX 33/44
8	107413556	8	8 LONG LIFE FILTER BAG 1 PCS ATTIX 33/44



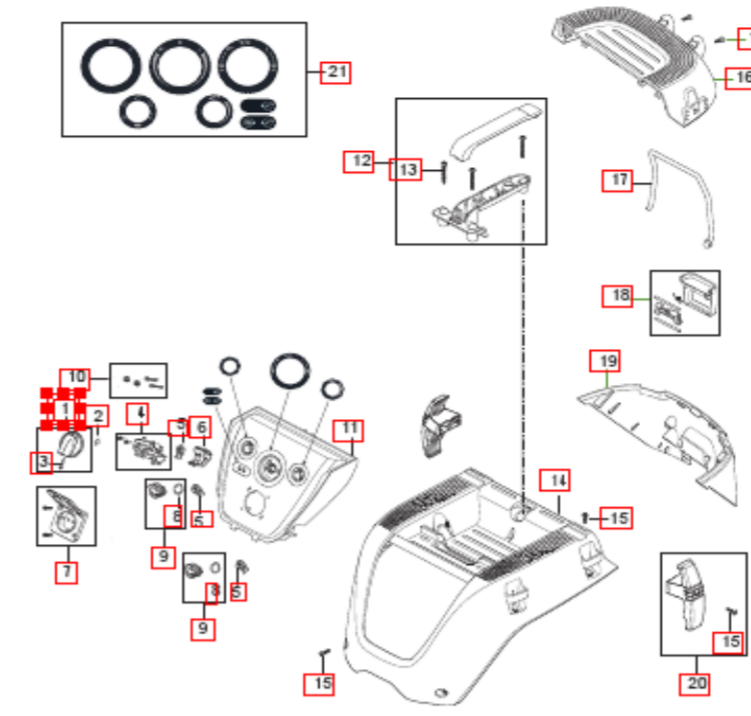
Hoses, tubes and nozzles

No.	Part No.	Qty.	Description
1	107409976	1	1 UNIV HOSE WITH HAND TUBE D32X3500 CPL.
2	107413543	1	1 HOSE Ø32X4000MM AS RED
2	107413544	1	1 HOSE Ø36X4000 MM AS RED
3	107417868	1	1 HOSE SLEEVE Ø38 AS QUICKSYSTEM
3	107417867	1	1 HOSE SLEEVE Ø36 AS QUICKSYSTEM
3	107417866	1	1 HOSE SLEEVE Ø32 AS QUICKSYSTEM
4	30928	1	1 HOSE SLEEVE Ø32/50 AS
4	15812	1	1 HOSE SLEEVE Ø36/50 AS
5	46691	1	1 CURVED HAND TUBE Ø36MM SS
6	107409977	1	1 TOOL ADAPTER WITH SUCTION REGULATION D32
7	302000535	1	1 TOOL ADAPTER D27 QUICKSYSTEM
8	107417865	1	1 EXHAUST AIR ADAPTER KIT
9	302000529	1	1 EXTEN TUBE D36 2X505MM ST/CR
9	107408074	1	1 EXTEN TUBE Ø36 2X505MM SS
10	107416995	1	1 EXTENSION TUBE D36 3X350 MM SS
11	302002331	1	1 FLOOR NOZZLE Ø36X300MM
12	29541	1	1 CREVICE NOZZLE D36X200
13	14295	1	1 UNIVERSAL NOZZLE D36X115
14	302002509	1	1 SUCTION BRUSH D36 BLACK
15	60356	1	1 FLOOR NOZZLE Ø36X360MM WET/DRY
16	302003666	1	1 INDST.FL.NOZZ.36X400MM W/BRUS.



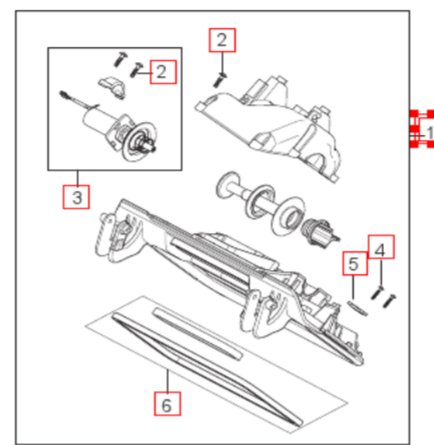
Cabinet and control panel 2M-2H IC

No.	Part No.	Qty.	Description
1	909100204		1 ROTARY KNOB 6X5 BLUE
2	32526		1 TREAD-CUTTING SCREW 2.9X19 C ISO 1483 ZN
3	9868		1 O-RING 10.2X2.5 NBR 70
4	107415085		1 ROTARY SWITCH 5 POS 16A
5	107415024		3 POTENTIOMETER W. WIRE
6	107415080		1 CAP FOR POT-METER
7	302004034		1 SOCKET 16A/250V EU
7	302004036		1 SOCKET 16A/250V FR
7	107400057		1 SOCKET 16A/110V GB
7	302004336		1 SOCKET 13A/250V GB
7	302004338		1 SOCKET 15A/125V US/CSA
7	107400059		1 SOCKET 10A/250V CH
7	107400060		1 SOCKET 16A/250V DK
8	3004221		2 O-RING 16X2 NITRIL 70 SHORE
9	107415062		2 TURNING KNOB D28 BLACK
10	107415087		1 LED INDICATOR KIT 2 PCS.
11	107415089		1 CONTROL PANEL KIT -2M/-2H IC BLUE
12	107415038		1 HANDLE KIT BLACK
13	128500203		3 SCREW K50X45 WN1451 SP
14	107415036		1 TOP COVER BLACK
15	302003704		17 SCREW EJOT DELTA PT50X18WN5451
16	107415086		1 HATCH DOOR UPPER COVER, IC BLACK
17	107415035		1 CORD STRAP KIT
18	107415032		1 HATCH DOOR CLAMP KIT BLACK
19	107415028		1 HATCHBACK LOWER COVER BLUE
20	107415083		2 HOSE/CABLE HOOK BLACK 1 PCS.
21	107415077		1 LABEL KIT FOR CONTROL PANEL 7 PCS.



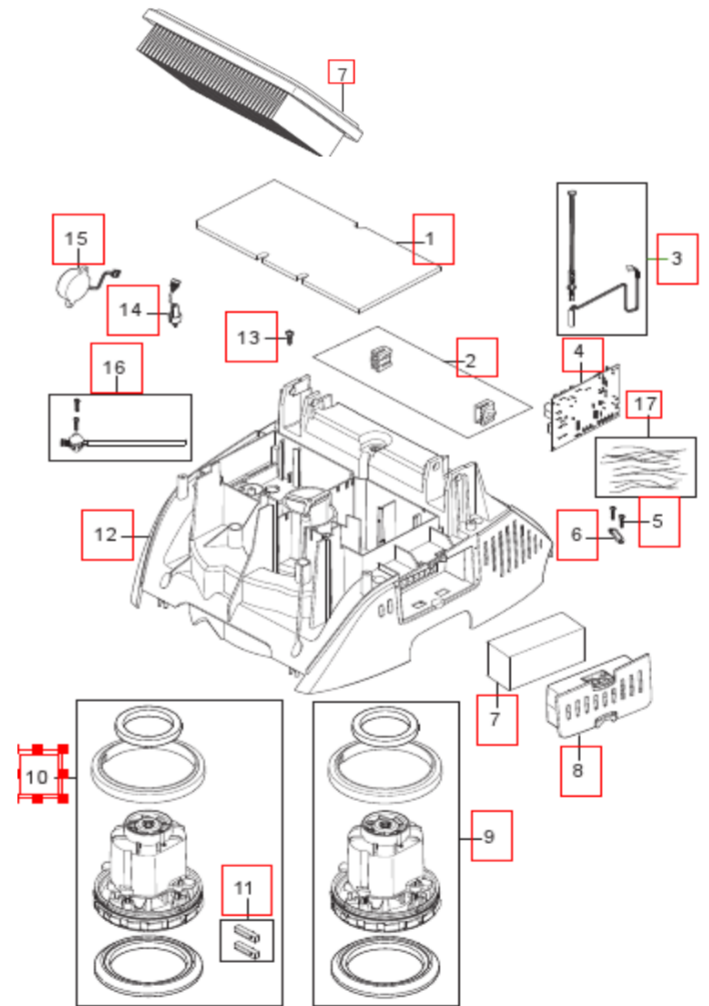
Filter system IC

No.	Part No.	Qty.	Description
1	107415027		1 HATCH DOOR FRAME WITH SEALING IC
1	107417859		1 HATCH DOOR FRAME W. SEALING 100-120V IC
2	302003704		17 SCREW EJOT DELTA PT50X18WN5451
3	107415031		1 SOLENOID KIT 220-240V
3	107415079		1 SOLENOID KIT 100-120V
4	302003705		2 SCREW EJOT DELTA PT35X18WN5451
5	5697		1 STRAP 3X8X33
6	107415090		1 HATCH DOOR FILTER GASKET KIT
7	107413540		1 FLAT FILTER PTFE M-CLASS 1 PCS



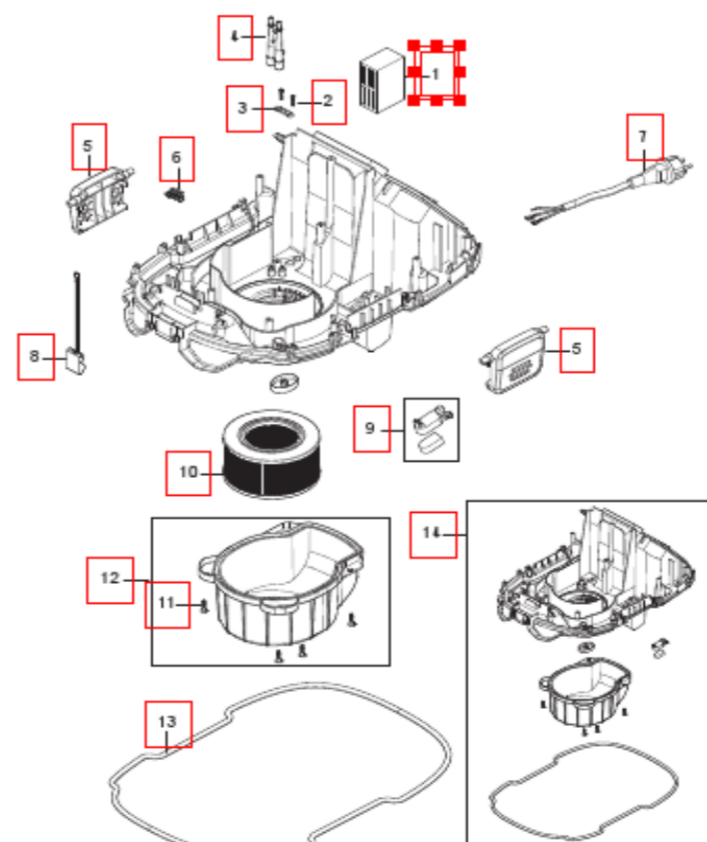
Suction unit H-M

No.	Part No.	Qty.	Description
1	107417101		1 FOAM SEALING 298X148
2	107415075		1 HATCH DOOR HINGE SNAP 2 PCS.
3	107415060		1 REED SENSOR WITH APPLICATOR
4	107415059		1 PCBA AUTO ON/OFF M 1M1S P3 220-240V
4	107417102		1 PCBA AUTO ON/OFF M 1M1S P3 110-120V
4	107417103		1 PCBA AUTO ON/OFF AFC M 1M1S P3 220-240V
4	107417104		1 PCBA AUTO ON/OFF AFC M 1M1S P3 110-120V
4	107417105		1 PCBA AUTO ON/OFF H 1M1S P3 220-240V
4	107417106		1 PCBA AUTO ON/OFF AFC H 1M1S P3 220-240V
5	302004032		2 SCREW 3.5X18
6	302004030		1 STRAP FOR CABLE
7	107415096		1 DIFFUSOR 55X115X45 BLACK
8	107415097		1 COVER F. MOTORCOOLING FILTER BLUE
9	107415055		1 MOTOR KIT 1200W 220-240V 50/60HZ
10	107415099		1 MOTOR KIT 1000W 110-120V 50/60HZ
11	107417399		1 CARBON BRUSH ASSY KIT
12	107417854		1 AIRGUIDE WITH REED SENSOR MOUNT M
13	302004029		9 SCREW 5X18
14	107416952		1 FLOW SENSOR KIT
15	107416958		1 BUZZER KIT1
16	107417111		1 PRESSURE SENSOR KIT
17	107417863		1 WIRE/CAPACITOR KIT6



Base_H class

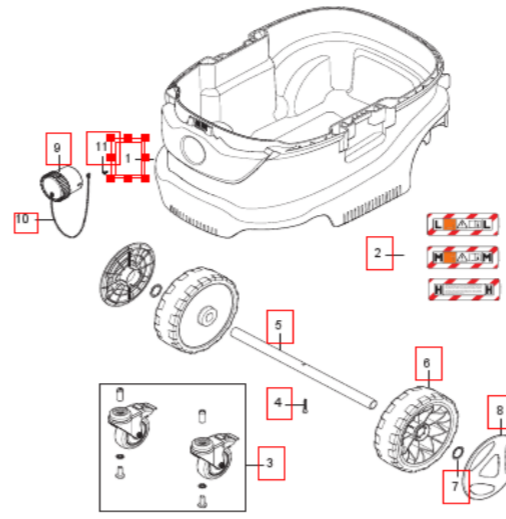
No.	Part No.	Qty.	Description
1	107417112		1 SOUND ABSORBER 83X55X35
2	302004032		2 SCREW 3.5X18
3	302004030		1 STRAP FOR CABLE
4	107417115		1 BY-PASS AIR CHANEL
5	107415053		2 CONTAINER CLAMP BLACK
6	302004031		1 DISTRIBUTION STRIP 6-POL 16A
7	107400573		1 CORD H07RN-F 3G1.5 CEE EU
7	302000692		1 POWER CORD H07BQ-F3G1.5X8.2 CE
7	302004333		1 POWER CORD H05RR-F 3G1.5X8.4 AS3112 -AU
7	107400267		1 CORD H05RR-F 3G1.0 CH
7	302000882		1 POWER CORD SJTW-AWG16/3X8
7	107402642		1 POWER CORD H05RR-F 3G1.0X8.2
7	107417418		1 POWER CORD KIT VCTF 1.25MM 3C JP PSE
8	107417113		1 CONTACT SPRING W. WIRE
9	107415063		1 FLOATER WITH MAGNET
10	107413555		1 FILTER ELEMENT Ø140X75 H-CLASS/HEPA
11	L08603986		4 SCREW M6X12 PAN HD PHIL SS ISO7045
12	107413542		1 HEPA FILTER COVER KIT
13	107415050		1 CONTAINER SEALING
14	107417117		1 BASE PLATE ASSEMBLY H-CLASS KIT



Container 30L

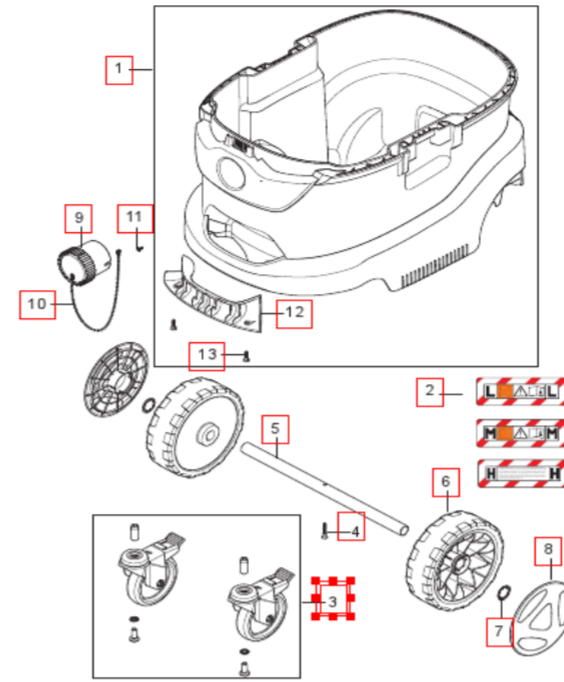
No.	Part No.	Qty.	Description
-----	----------	------	-------------

1	107415067	1 CONTAINER 30L NILFISK BLUE
1	107417118	1 CONTAINER 30L H-CLASS NILFISK BLUE
2	107417119	1 LABEL DUSTCLASS L 130X44 PVC
2	107401291	1 LABEL DUSTCLASS M 130X44 PVC
2	107401548	1 LABEL DUSTCLASS H 130X44 PVC
3	107417120	2 CASTOR WHEEL D75 WITH BRAKE 2 PCS.
4	107417864	1 SCREW WN1423 K50X35 BLACK TORX KIT
5	302004022	1 WHEEL AXLE
6	107417121	2 WHEEL D175 BLACK
7	47302	2 CLAMPING RING 28.6 20
8	107417122	2 WHEEL CAP D145 BLUE
9	14775	1 HOSE INLET PLUG 50MM
10	30081	1 BEAD CHAIN 150MM WITH EYES ST/
11	24738	1 SCREW KA35X 8 WN1411



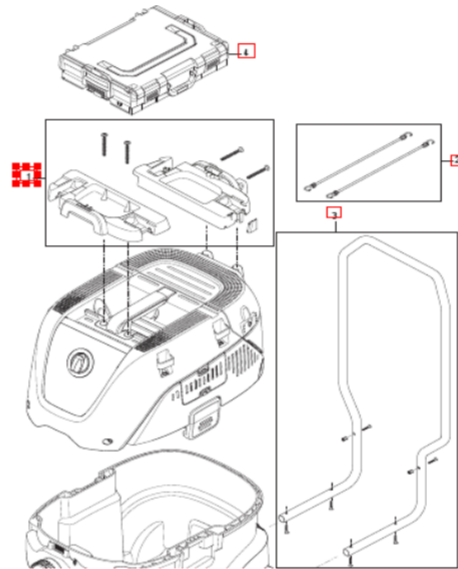
Container 42L

No.	Part No.	Qty.	Description
1	107414073	1	1 CONTAINER 42L KIT NILFISK BLUE
1	107417123	1	1 CONTAINER 42L KIT H-CLASS NILFISK BLUE
2	107417119	1	1 LABEL DUSTCLASS L 130X44 PVC
2	107401291	1	1 LABEL DUSTCLASS M 130X44 PVC
2	107401548	1	1 LABEL DUSTCLASS H 130X44 PVC
3	107417573	2	2 CASTOR WHEEL D100 WITH BRAKE 2 PCS
4	107417864	1	1 SCREW WN1423 K50X35 BLACK TORX KIT
5	302004022	1	1 WHEEL AXLE
6	107417121	2	2 WHEEL D175 BLACK
7	47302	2	2 CLAMPING RING 28.6 20
8	107417122	2	2 WHEEL CAP D145 BLUE
9	14775	1	1 HOSE INLET PLUG 50MM
10	30081	1	1 BEAD CHAIN 150MM WITH EYES ST/
11	24738	1	1 SCREW KA35X 8 WN1411
12	107417124	1	1 HANDLE INNER FOR CONTAINER 42L BLACK
13	302004029	2	2 SCREW 5X18



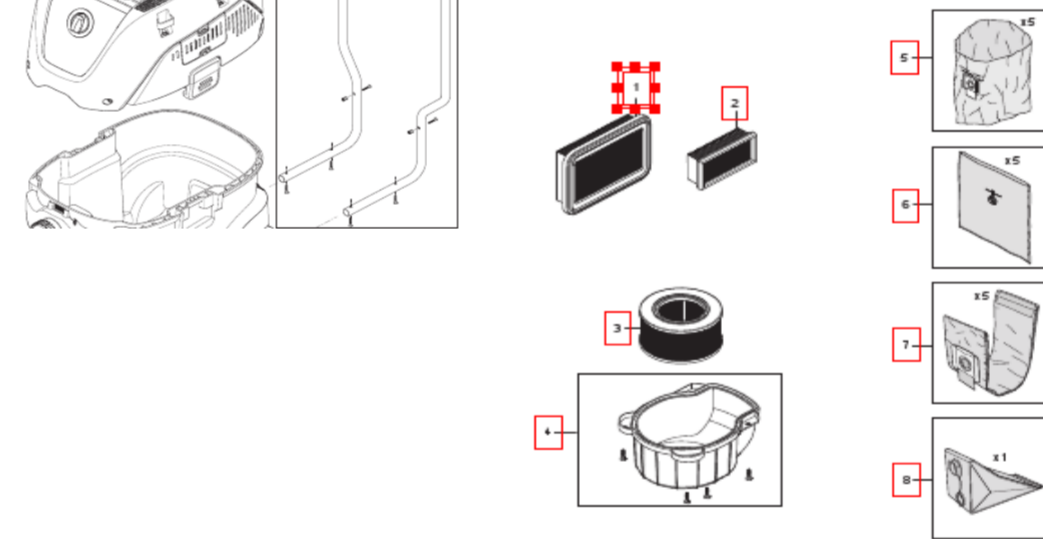
Accessories

No.	Part No.	Qty.	Description
1	107413551	1	1 ADAPTER PLATE KIT
2	107413553	1	1 FLEXIBLE STRAP SET 2 PCS
3	107413552	1	1 TROLLEY HANDLE KIT
4	107413554	1	1 STORAGE BOX KIT ATTIX 33/44



Filter and bags

No.	Part No.	Qty.	Description
1	107413540	1	1 FLAT FILTER PTFE M-CLASS 1 PCS
2	107413541	2	2 MOTOR COOLING AIR FILTER PET 1 PCS
3	107413555	3	3 FILTER ELEMENT Ø140X75 H-CLASS/HEPA
4	107413542	4	4 HEPA FILTER COVER KIT
5	107417821	5	5 DISPOSAL BAG ATTIX 33/44 5 PCS
6	107413549	6	6 SAFETY FILTER BAG 5 PCS ATTIX 33/44
7	107413547	7	7 FLEECE FILTER BAG 5 PCS ATTIX 33/44
8	107413556	8	8 LONG LIFE FILTER BAG 1 PCS ATTIX 33/44



Hoses, tubes and nozzles

No.	Part No.	Qty.	Description
1	107409976	1	1 UNIV HOSE WITH HAND TUBE D32X3500 CPL.
2	107413543	1	1 HOSE Ø32X4000MM AS RED
2	107413544	1	1 HOSE Ø36X4000 MM AS RED
3	107417868	1	1 HOSE SLEEVE Ø38 AS QUICKSYSTEM
3	107417867	1	1 HOSE SLEEVE Ø36 AS QUICKSYSTEM
3	107417866	1	1 HOSE SLEEVE Ø32 AS QUICKSYSTEM
4	30928	1	1 HOSE SLEEVE Ø32/50 AS
4	15812	1	1 HOSE SLEEVE Ø36/50 AS
5	46691	1	1 CURVED HAND TUBE Ø36MM SS
6	107409977	1	1 TOOL ADAPTER WITH SUCTION REGULATION D32
7	302000535	1	1 TOOL ADAPTER D27 QUICKSYSTEM
8	107417865	1	1 EXHAUST AIR ADAPTER KIT
9	302000529	1	1 EXTEN TUBE D36 2X505MM ST/CR
9	107408074	1	1 EXTEN TUBE Ø36 2X505MM SS
10	107416995	1	1 EXTENSION TUBE D36 3X350 MM SS
11	302002331	1	1 FLOOR NOZZLE Ø36X300MM
12	29541	1	1 CREVICE NOZZLE D36X200
13	14295	1	1 UNIVERSAL NOZZLE D36X115
14	302002509	1	1 SUCTION BRUSH D36 BLACK
15	60356	1	1 FLOOR NOZZLE Ø36X360MM WET/DRY
16	302003666	1	1 INDST.FL.NOZZ.36X400MM W/BRUS.

