

T ECHNICAL INFORMATION

Makita

PRODUCT

P 1/3

Models No. ▶ KP0800

Description ▶ Power Planer 82mm (3-1/4")

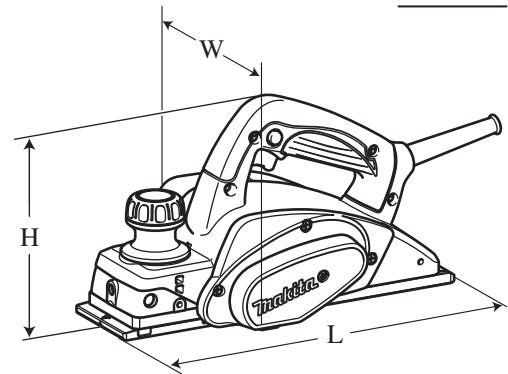
CONCEPT AND MAIN APPLICATIONS

Model KP0800 has been developed as the successor model of N1900B and 1902.

Additionally to the same well balanced design for easy handling, features the following main advantages;

- Planing depth setting knob with click stops
- Power input of 620W
- New aesthetic design

Also available with plastic carrying case as Model KP0800K.



Dimensions: mm (")	
Length (L)	285 (11-1/4)
Width (W)	158 (6-1/4)
Height (H)	158 (6-1/4)

► Specification

Voltage (V)	Current (A)	Cycle (Hz)	Continuous Rating (W)		Max. Output (W)
			Input	Output	
110	5.9	50/60	620	280	650
120	6.5	50/60	---	360	650
220	3.0	50/60	620	280	650
230	2.9	50/60	620	280	650
240	2.7	50/60	620	280	650

No load speed: min-1=rpm		17,000
Capacities: mm (")	Planing width	82 (3-1/4)
	Planing depth	2.5 (3/32)
	Shiplapping	9 (11/32)
Protection against electric shock		Double insulation
Power supply cord: m (ft)		Brazil, Australia: 2.0 (6.6), Other countries: 2.5 (8.2)
Net weight*: kg (lbs)		2.6 (5.7)

* Weight according to EPTA-Procedure 01/2003

► Standard equipment

Planer blade (re-sharpenable type) or T.C.T. Mini planer blade (disposable type)
 Sharpening holder assembly (for countries using re-sharpenable type Planer blade)
 Dressing stone (for countries using re-sharpenable type Planer blade)
 Blade gauge assembly
 Socket wrench 9
 Guide rule
 Dust nozzle
 Plastic carrying case (for **KP0800K**)

Note: The standard equipment for the tool shown above may vary by country.

► Optional accessories

Planer blade (re-sharpenable type)	Guide rules	Dust bag assembly
T.C.T. Mini planer blade (disposable type)	Extension guide set	Blade gauge assembly
Set plate (for countries using T.C.T. Mini planer blade)	Dust nozzle	Sharpening holder assembly
	Elbow	Plastic carrying case

► Features and benefits

Compact and lightweight design for easy handling

Shorter overall length/ 5mm (3/16") and lighter weight/ 0.1kg (0.22 lbs) than the predecessor models

Continuous rating input: 620W

(Rated amperage for North America: 6.5A)

New aesthetic design

Redesigned with the same aesthetic design concept as KP0810 series models

Ergonomically designed and rubberized handle

provides more comfort, control and less fatigue.

Handle covered with ribbed non-skid elastomer

fits your fingers perfectly to provide maximum comfort, control and less fatigue for easy handling.

Enhanced chip ejection

thanks to improved fan design that produces larger exhaust air volume than the predecessor models and competitor's tools

Knob with click stops

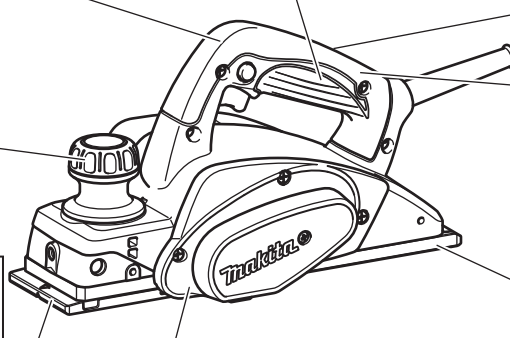
provides precise planing depth setting by adjustment knob with click stops and easy-to-read scale with 0.1mm divisions. Non-skid elastomer covers knob for sure and comfortable grip.

Straight-line face for ease to push handle *

Optimum angle and shape for easy gripping and handling *

New plastic carrying case design

stackable with other plastic carrying cases of the same size or different size (KP0800K only)



Planing depth cuts: up to 2.5 mm (3/32")

Rigid aluminum die-cast bracket for enhanced durability of drum-shaft holding portion

Foot on base plate protects workpiece and blade from scratches and damages even if the machine is put on workpiece before drum comes to a complete halt.

*The same advantages as Model N1900B, 1902

► Comparison of products

Performance Comparison

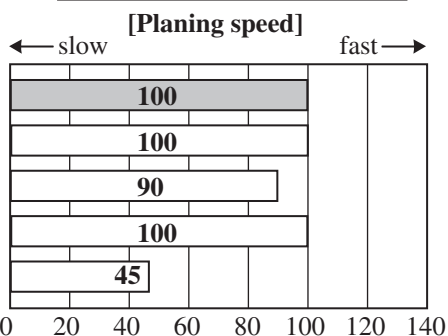
Test conditions: Planed 1000mm long surface of the test materials described below in the charts.

Extension power supply cord: sectional area/1.5mm², length/50m

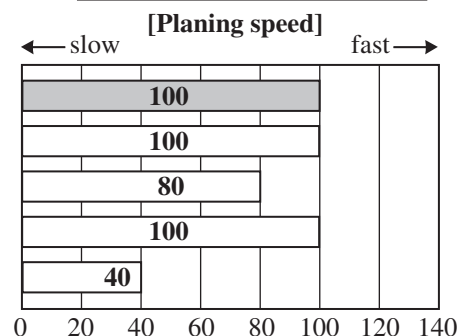
Note: 1) Numbers in the charts below are relative values when the capacity of Makita N1900B, 1902 is indexed at 100.

2) The test results depend to a great extent on the hardness of the material, etc.

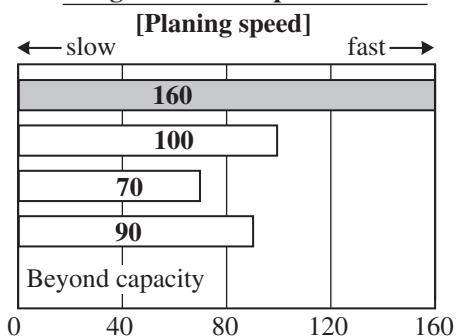
Douglas-fir at a depth of 1mm



Douglas-fir at a depth of 2mm



Douglas-fir at a depth of 2.5mm



Comparison of products

Specification Comparison

Model No.		Makita			DEWALT	BOSCH	HITACHI
		KP0800	N1900B	1902	DW680(K)	GHO26-82 1594K	P20
Capacities: mm (")	Planing width	82 (3-1/4)	82 (3-1/4)	82 (3-1/4)	82 (3-1/4)	82 (3-1/4)	82 (3-1/4)
	Planing depth	2.5 (3/32)	1.0 (1/32)	1.0 (1/32)	2.5 (3/32)	2.6 (3/32)	1.0 (1/32)
	Shiplapping	9.0 (11/32)	9.0 (11/32)	9.0 (11/32)	12.0 (1/2)	9.0 (11/32)	6.0 (1/4)
Continuous rating input: W		620	580	580 (Europe: 550)	600	710	570
Rated amperage for North America: A		6.5	4.0	4.0	7.0	6.5	3.4
No load speed: min-1=rpm		17,000	16,000	16,000	15,000	16,500	15,000
Material of Bracket		Aluminum die-cast	Aluminum die-cast	Plastic	Plastic	Aluminum die-cast	Plastic
Rubberized soft grip		Yes	No	No	No	No	No
Chip ejection		One side	One side	One side	One side	Both sides	One side
Power supply cord: m (ft)		Australia,Brazil: 2.0 (6.6) Other countries: 2.5 (8.2)	2.5 (8.2)	2.5 (8.2)	4.0 (13.1)	4.0 (13.1)	2.5 (8.2)
Dimensions: mm (")	Length	285 (11-1/4)	290 (11-3/8)	290 (11-3/8)	290 (11-3/8)	284 (11-1/8)	296 (11-5/8)
	Width	158 (6-1/4)	155 (6-1/8)	155 (6-1/8)	160 (6-5/16)	163 (6-3/8)	165 (6-1/2)
	Height	158 (6-1/4)	160 (6-5/16)	160 (6-5/16)	170 (6-11/16)	173 (6-13/16)	165 (6-1/2)
Net weight*1 : kg (lbs)		2.6 (5.7)	2.7 (6.0)	2.7 (6.0)	2.8 (6.1)	2.9 (6.4)	unknown
Standard Equipment*2	Planer blade	Yes	Yes	Yes	Yes	Yes	Yes
	Guide rule	Yes	Yes	No	Yes	Yes	No
	Dust nozzle	Yes	Yes	No	Yes	No	No
	Dust bag	No	No	No	No	Yes	No
	Socket wrench	Yes	Yes	Yes	No	No	Yes
	Wrench	No	No	No	Yes	No	No
	Blade gauge assembly	Yes	Yes	Yes	No	No	Yes

*1 Weight according to EPTA-Procedure 01/2003

*2 The standard equipment may vary by country.