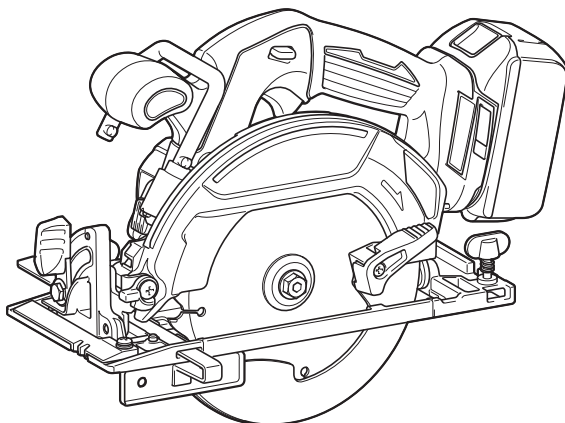




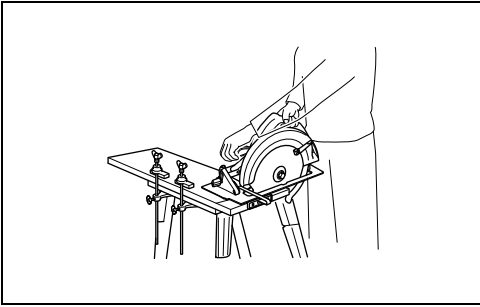
| | | |
|-----------|------------------------------------|--------------------------------|
| GB | Cordless Circular Saw | Instruction manual |
| F | Scie Circulaire sans Fil | Manuel d'instructions |
| D | Akku-Handkreissäge | Betriebsanleitung |
| I | Sega circolare a batteria | Istruzioni per l'uso |
| NL | Accucirkelzaag | Gebruiksaanwijzing |
| E | Sierra Circular Inalámbrica | Manual de instrucciones |
| P | Serra Circular a Bateria | Manual de instruções |
| DK | Ledningsfri rundsav | Brugsanvisning |
| GR | Φορητό δισκοπρίονο | Οδηγίες χρήσης |
| TR | Akülü Sunta Kesme | Kullanım kılavuzu |

DHS680



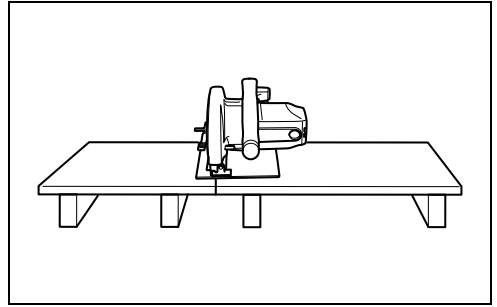
015156





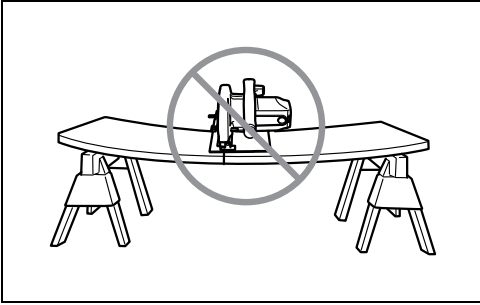
1

000161



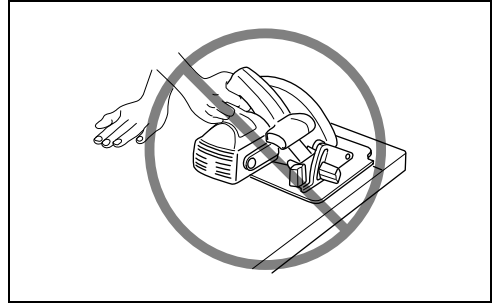
2

000192



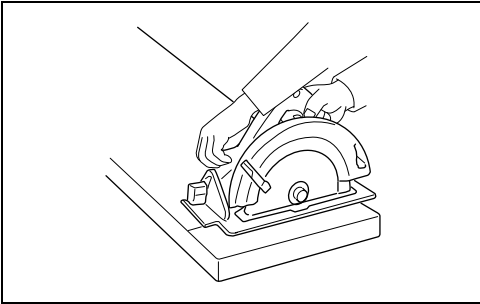
3

014252



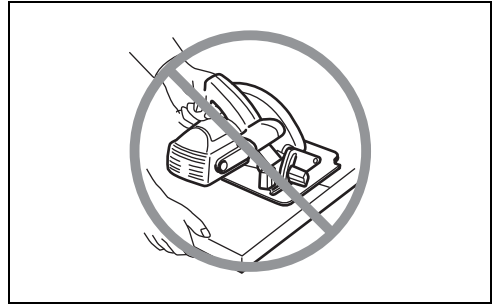
4

000160



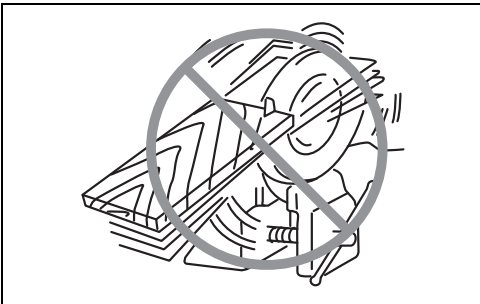
5

014997



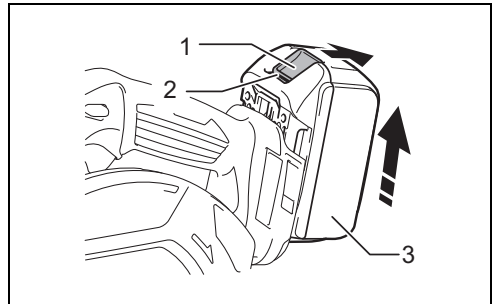
6

000190



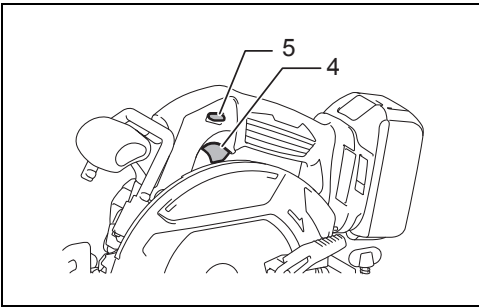
7

000029



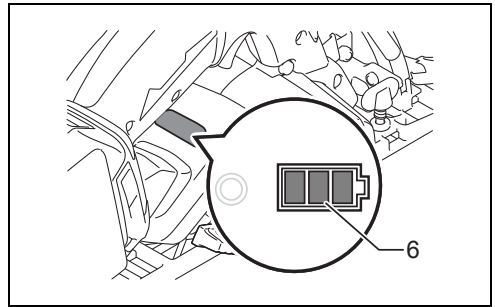
8

001520



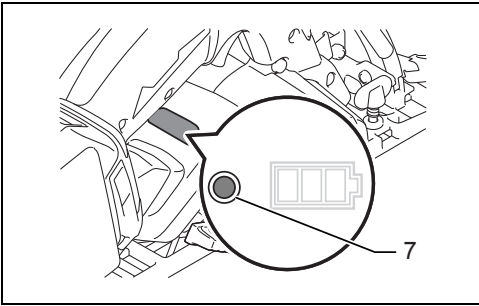
9

015107



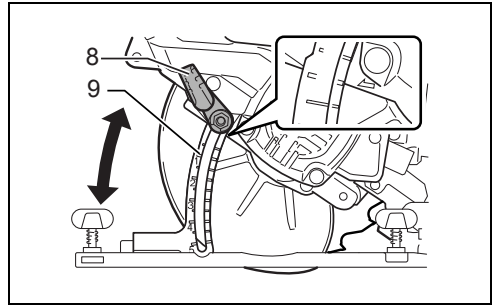
10

015143



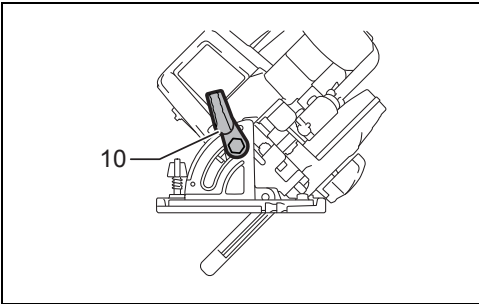
11

015144



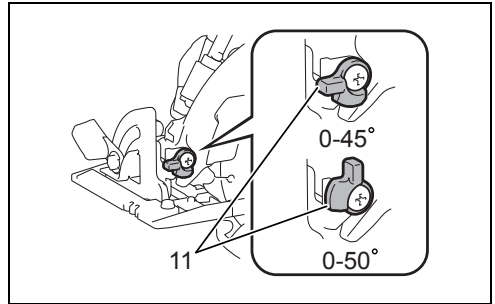
12

015199



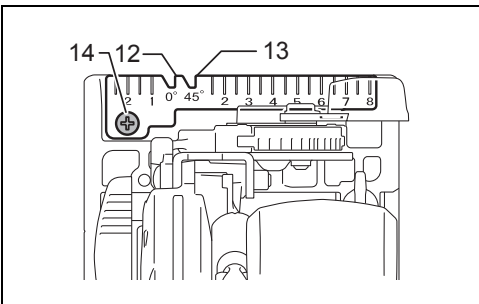
13

015105



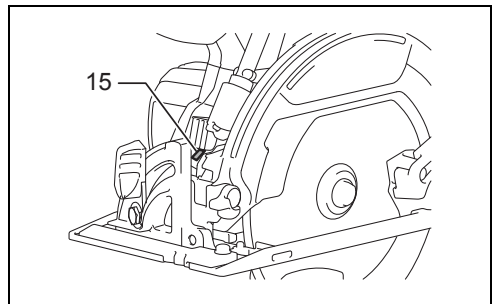
14

015116



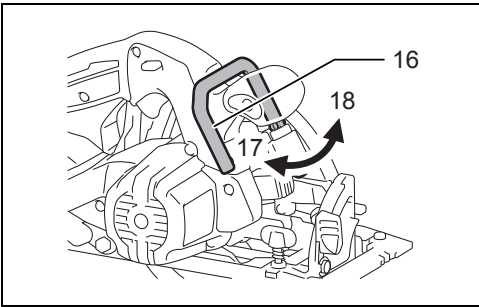
15

015155



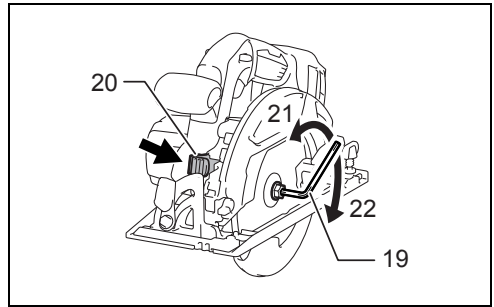
16

015154



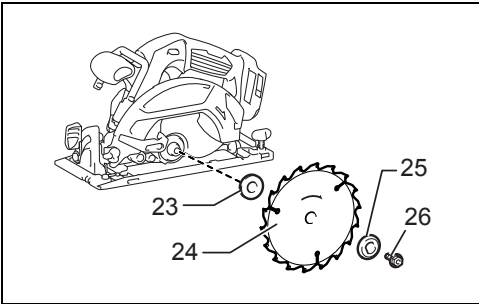
17

015119



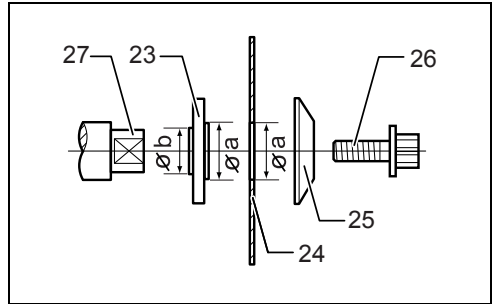
18

015108



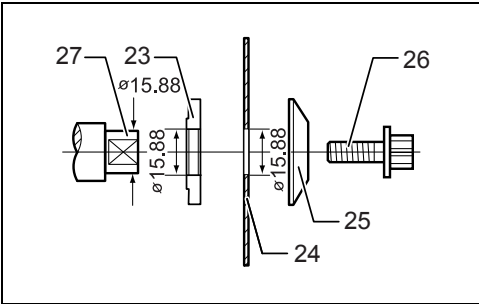
19

015109



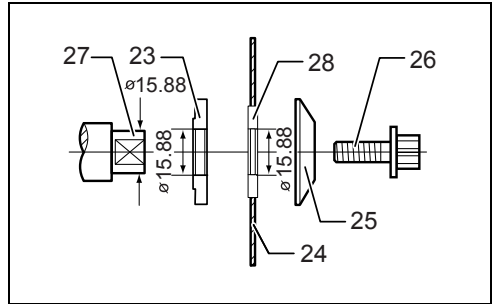
20

011230



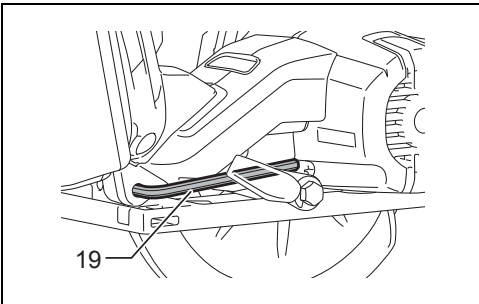
21

011231



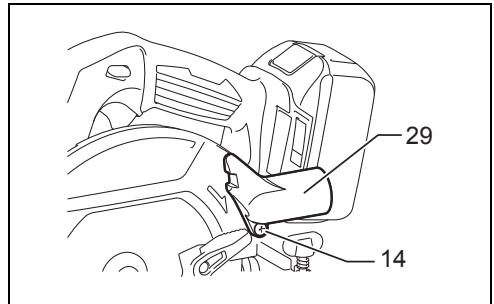
22

014598



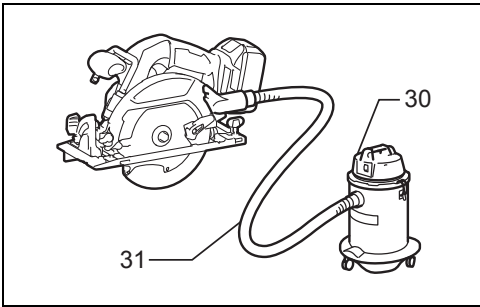
23

015110



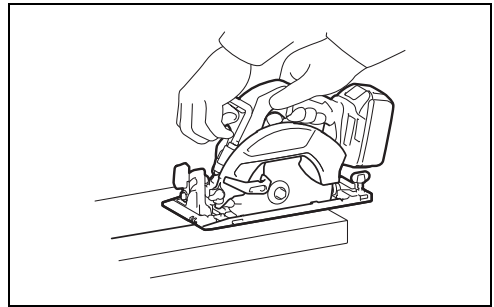
24

015111



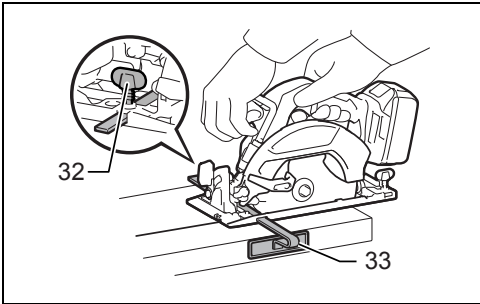
25

015112



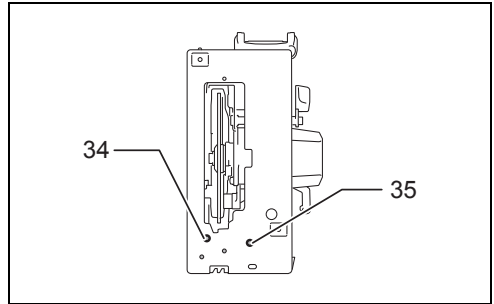
26

015117



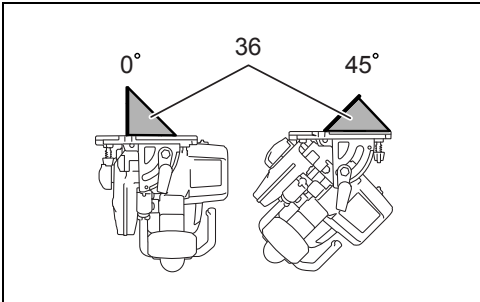
27

015118



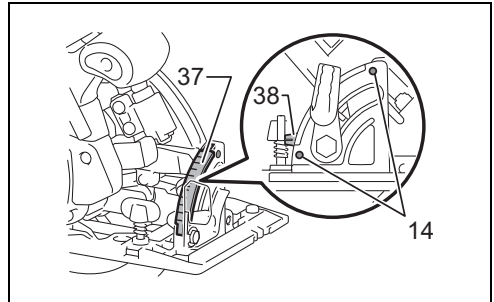
28

015113



29

015114



30

015115

ENGLISH (Original instructions)

Explanation of general view

- | | | |
|---------------------------------|------------------|-----------------------------|
| 1. Button | 14. Screw | 27. Mounting shaft |
| 2. Red indicator | 15. Lamp | 28. Ring |
| 3. Battery cartridge | 16. Hook | 29. Dust nozzle |
| 4. Switch trigger | 17. Close | 30. Vacuum cleaner |
| 5. Lock-off lever | 18. Open | 31. Hose |
| 6. Battery indicator | 19. Hex wrench | 32. Clamping screw |
| 7. Mode indicator | 20. Shaft lock | 33. Rip fence (Guide rule) |
| 8. Lever | 21. Tighten | 34. Adjusting screw for 45° |
| 9. Depth guide | 22. Loosen | 35. Adjusting screw for 0° |
| 10. Front lever | 23. Inner flange | 36. Triangular rule |
| 11. Stopper | 24. Saw blade | 37. Bevel guide |
| 12. Cutting line (0° position) | 25. Outer flange | 38. Guide |
| 13. Cutting line (45° position) | 26. Hex bolt | |

SPECIFICATIONS

| | | |
|--------------------|--------|-------------------------|
| Model | | DHS680 |
| Blade diameter | | 165 mm |
| Max. cutting depth | at 0° | 57 mm |
| | at 45° | 41 mm |
| | at 50° | 37 mm |
| No load speed | | 5,000 min ⁻¹ |
| Overall length | | 350 mm |
| Net weight | | 3.3 kg |
| Rated voltage | | D.C. 18 V |

- Due to our continuing program of research and development, the specifications herein are subject to change without notice.
- Specifications and battery cartridge may differ from country to country.
- Weight, with battery cartridge, according to EPTA-Procedure 01/2003


Intended use

ENE078-2

The tool is intended for performing lengthways and crossways straight cuts and mitre cuts with angles in wood while in firm contact with the workpiece. With appropriate Makita genuine saw blades, other materials can also be sawed.

General Power Tool Safety Warnings

GEA010-1


 **WARNING** Read all safety warnings and all instructions. Failure to follow the warnings and instructions may result in electric shock, fire and/or serious injury.

Save all warnings and instructions for future reference.

CORDLESS CIRCULAR SAW SAFETY WARNINGS

GEB060-8

Cutting procedures

1.  **DANGER: Keep hands away from cutting area and the blade. Keep your second hand on auxiliary handle, or motor housing.** If both hands are holding the saw, they cannot be cut by the blade.

2. **Do not reach underneath the workpiece.** The guard cannot protect you from the blade below the workpiece.
3. **Adjust the cutting depth to the thickness of the workpiece.** Less than a full tooth of the blade teeth should be visible below the workpiece.
4. **Never hold piece being cut in your hands or across your leg. Secure the workpiece to a stable platform.** It is important to support the work properly to minimize body exposure, blade binding, or loss of control. (Fig. 1)
A typical illustration of proper hand support and workpiece support.
5. **Hold the power tool by insulated gripping surfaces only, when performing an operation where the cutting tool may contact hidden wiring.** Contact with a "live" wire will also make exposed metal parts of the power tool "live" and could give the operator an electric shock.
6. **When ripping, always use a rip fence or straight edge guide.** This improves the accuracy of cut and reduces the chance of blade binding.
7. **Always use blades with correct size and shape (diamond versus round) of arbour holes.** Blades that do not match the mounting hardware of the saw will run eccentrically, causing loss of control.
8. **Never use damaged or incorrect blade washers or bolt.** The blade washers and bolt were specially

designed for your saw, for optimum performance and safety of operation.

Kickback causes and related warnings

- kickback is a sudden reaction to a pinched, bound or misaligned saw blade, causing an uncontrolled saw to lift up and out of the workpiece toward the operator;
- when the blade is pinched or bound tightly by the kerf closing down, the blade stalls and the motor reaction drives the unit rapidly back toward the operator;
- if the blade becomes twisted or misaligned in the cut, the teeth at the back edge of the blade can dig into the top surface of the wood causing the blade to climb out of the kerf and jump back toward the operator.

Kickback is the result of saw misuse and/or incorrect operating procedures or conditions and can be avoided by taking proper precautions as given below.

9. **Maintain a firm grip with both hands on the saw and position your arms to resist kickback forces. Position your body to either side of the blade, but not in line with the blade.** Kickback could cause the saw to jump backwards, but kickback forces can be controlled by the operator, if proper precautions are taken.
10. **When blade is binding, or when interrupting a cut for any reason, release the trigger and hold the saw motionless in the material until the blade comes to a complete stop. Never attempt to remove the saw from the work or pull the saw backward while the blade is in motion or kickback may occur.** Investigate and take corrective actions to eliminate the cause of blade binding.
11. **When restarting a saw in the workpiece, centre the saw blade in the kerf and check that saw teeth are not engaged into the material.** If saw blade is binding, it may walk up or kickback from the workpiece as the saw is restarted.
12. **Support large panels to minimise the risk of blade pinching and kickback.** Large panels tend to sag under their own weight. Supports must be placed under the panel on both sides, near the line of cut and near the edge of the panel. (Fig. 2 & 3)
To avoid kickback, do support board or panel near the cut. Do not support board or panel away from the cut.
13. **Do not use dull or damaged blades.** Unsharpened or improperly set blades produce narrow kerf causing excessive friction, blade binding and kickback.
14. **Blade depth and bevel adjusting locking levers must be tight and secure before making cut.** If blade adjustment shifts while cutting, it may cause binding and kickback.
15. **Use extra caution when sawing into existing walls or other blind areas.** The protruding blade may cut objects that can cause kickback.
16. **ALWAYS hold the tool firmly with both hands. NEVER place your hand or fingers behind the saw.** If kickback occurs, the saw could easily jump backwards over your hand, leading to serious personal injury. (Fig. 4)
17. **Never force the saw. Push the saw forward at a speed so that the blade cuts without slowing.** Forcing the saw can cause uneven cuts, loss of accuracy, and possible kickback.

Lower guard function

18. **Check lower guard for proper closing before each use. Do not operate the saw if lower guard does not move freely and close instantly. Never clamp or tie the lower guard into the open position.** If saw is accidentally dropped, lower guard may be bent. Raise the lower guard with the retracting handle and make sure it moves freely and does not touch the blade or any other part, in all angles and depths of cut.
19. **Check the operation of the lower guard spring. If the guard and the spring are not operating properly, they must be serviced before use.** Lower guard may operate sluggishly due to damaged parts, gummy deposits, or a build-up of debris.
20. **Lower guard may be retracted manually only for special cuts such as “plunge cuts” and “compound cuts”.** Raise lower guard by retracting handle and as soon as blade enters the material, the lower guard must be released. For all other sawing, the lower guard should operate automatically.
21. **Always observe that the lower guard is covering the blade before placing saw down on bench or floor.** An unprotected, coasting blade will cause the saw to walk backwards, cutting whatever is in its path. Be aware of the time it takes for the blade to stop after switch is released.
22. **To check lower guard, open lower guard by hand, then release and watch guard closure. Also check to see that retracting handle does not touch tool housing.** Leaving blade exposed is VERY DANGEROUS and can lead to serious personal injury.

Additional safety warnings

23. **Use extra caution when cutting damp wood, pressure treated lumber, or wood containing knots.** Maintain smooth advancement of tool without decrease in blade speed to avoid overheating the blade tips.
24. **Do not attempt to remove cut material when blade is moving. Wait until blade stops before grasping cut material.** Blades coast after turn off.
25. **Avoid cutting nails. Inspect for and remove all nails from lumber before cutting.**
26. **Place the wider portion of the saw base on that part of the workpiece which is solidly supported, not on the section that will fall off when the cut is made. As examples, Fig. 5 illustrates the RIGHT way to cut off the end of a board, and Fig. 6 the WRONG way. If the workpiece is short or small, clamp it down. DO NOT TRY TO HOLD SHORT PIECES BY HAND! (Fig. 5 & 6)**
27. **Before setting the tool down after completing a cut, be sure that the lower guard has closed and the blade has come to a complete stop.**
28. **Never attempt to saw with the circular saw held upside down in a vise. This is extremely dangerous and can lead to serious accidents. (Fig. 7)**
29. **Some material contains chemicals which may be toxic. Take caution to prevent dust inhalation and skin contact. Follow material supplier safety data.**
30. **Do not stop the blades by lateral pressure on the saw blade.**
31. **Do not use any abrasive wheels.**

32. **Only use the saw blade with the diameter that is marked on the tool or specified in the manual.** Use of an incorrectly sized blade may affect the proper guarding of the blade or guard operation which could result in serious personal injury.
33. **Keep blade sharp and clean.** Gum and wood pitch hardened on blades slows saw and increases potential for kickback. Keep blade clean by first removing it from tool, then cleaning it with gum and pitch remover, hot water or kerosene. Never use gasoline.
34. **Wear a dust mask and hearing protection when use the tool.**

SAVE THESE INSTRUCTIONS.

WARNING:

DO NOT let comfort or familiarity with product (gained from repeated use) replace strict adherence to safety rules for the subject product. **MISUSE** or failure to follow the safety rules stated in this instruction manual may cause serious personal injury.

IMPORTANT SAFETY INSTRUCTIONS

ENC007-8

FOR BATTERY CARTRIDGE

1. **Before using battery cartridge, read all instructions and cautionary markings on (1) battery charger, (2) battery, and (3) product using battery.**
2. **Do not disassemble battery cartridge.**
3. **If operating time has become excessively shorter, stop operating immediately. It may result in a risk of overheating, possible burns and even an explosion.**
4. **If electrolyte gets into your eyes, rinse them out with clear water and seek medical attention right away. It may result in loss of your eyesight.**
5. **Do not short the battery cartridge:**
 - (1) **Do not touch the terminals with any conductive material.**
 - (2) **Avoid storing battery cartridge in a container with other metal objects such as nails, coins, etc.**
 - (3) **Do not expose battery cartridge to water or rain.**

A battery short can cause a large current flow, overheating, possible burns and even a breakdown.
6. **Do not store the tool and battery cartridge in locations where the temperature may reach or exceed 50°C (122°F).**
7. **Do not incinerate the battery cartridge even if it is severely damaged or is completely worn out. The battery cartridge can explode in a fire.**
8. **Be careful not to drop or strike battery.**
9. **Do not use a damaged battery.**
10. **Follow your local regulations relating to disposal of battery.**

SAVE THESE INSTRUCTIONS.

Tips for maintaining maximum battery life

1. **Charge the battery cartridge before completely discharged.**
Always stop tool operation and charge the battery cartridge when you notice less tool power.
2. **Never recharge a fully charged battery cartridge. Overcharging shortens the battery service life.**
3. **Charge the battery cartridge with room temperature at 10°C - 40°C (50°F - 104°F). Let a hot battery cartridge cool down before charging it.**
4. **Charge the battery cartridge once in every six months if you do not use it for a long period of time.**

FUNCTIONAL DESCRIPTION

CAUTION:

- Always be sure that the tool is switched off and the battery cartridge is removed before adjusting or checking function on the tool.

Installing or removing battery cartridge (Fig. 8)

CAUTION:

- Always switch off the tool before installing or removing of the battery cartridge.
- **Hold the tool and the battery cartridge firmly when installing or removing battery cartridge.** Failure to hold the tool and the battery cartridge firmly may cause them to slip off your hands and result in damage to the tool and battery cartridge and a personal injury.

To remove the battery cartridge, slide it from the tool while sliding the button on the front of the cartridge.

To install the battery cartridge, align the tongue on the battery cartridge with the groove in the housing and slip it into place. Insert it all the way until it locks in place with a little click. If you can see the red indicator on the upper side of the button, it is not locked completely.

CAUTION:

- Always install the battery cartridge fully until the red indicator cannot be seen. If not, it may accidentally fall out of the tool, causing injury to you or someone around you.
- Do not install the battery cartridge forcibly. If the cartridge does not slide in easily, it is not being inserted correctly.

NOTE:

- When the battery cartridge is not removed easily, push it from the opposite side of the button and slide it.

Switch action

CAUTION:

- Before installing the battery cartridge into the tool, always check to see that the switch trigger actuates properly and returns to the "OFF" position when released.
- Do not pull the switch trigger hard without pressing the lock-off lever. This can cause switch breakage. (Fig. 9)

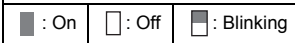
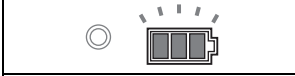
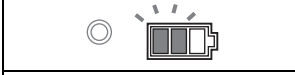
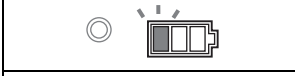

To prevent the switch trigger from being accidentally pulled, a lock-off lever is provided. To start the tool, press the lock-off lever and pull the switch trigger. Release the switch trigger to stop.

WARNING:

- For your safety, this tool is equipped with lock-off lever which prevents the tool from unintended starting. NEVER use the tool if it runs when you simply pull the switch trigger without pressing the lock-off lever. Return tool to a MAKITA service center for proper repairs BEFORE further usage.
- NEVER tape down or defeat purpose and function of lock-off lever.



Indicating remaining battery capacity (Fig. 10)

When you turn the tool on, the battery indicator shows the remaining battery capacity. The remaining battery capacity is shown as the following table.

| Battery indicator status | Remaining battery capacity |
|--|----------------------------|
|  | |
|  | 50% - 100% |
|  | 20% - 50% |
|  | 0% - 20% |
|  | Charge the battery |

015146

Automatic speed change function (Fig. 11)

| Mode indicator status | Operation mode |
|--|------------------|
|  | High speed mode |
|  | High torque mode |

015137

This tool has “high speed mode” and “high torque mode”. It automatically changes operation mode depending on the work load. When mode indicator lights up during operation, the tool is in high torque mode.

Tool/battery protection system

The tool is equipped with a tool/battery protection system. This system automatically cuts off power to the motor to extend tool and battery life.





The tool will automatically stop during operation if the tool or battery are placed under one of the following conditions. In some conditions, the indicator lights up.

Overload protection

When the tool is operated in a manner that causes it to draw an abnormally high current, the tool automatically stops without any indications. In this situation, turn the tool off and stop the application that caused the tool to become overloaded. Then turn the tool on to restart.

Overheat protection for tool

When the tool is overheated, the tool stops automatically and the battery indicator shows following state. In this situation, let the tool cool before turning the tool on again.

| Battery indicator |  : On |  : Off |  : Blinking |
|---|--|---|--|
|  | Tool is overheated | | |

015145

Releasing protection lock

When the protection system works repeatedly, the tool is locked and the battery indicator shows the following state.

| Battery indicator |  : On |  : Off |  : Blinking |
|---|--|---|--|
|  | Protection lock works | | |

015201

In this situation, the tool does not start even if turning the tool off and on. To release the protection lock, remove the battery, set it to the battery charger and wait until the charging finishes.

Adjusting depth of cut

CAUTION:

- After adjusting the depth of cut, always tighten the lever securely.

Loosen the lever on the side of the rear handle and move the base up or down. At the desired depth of cut, secure the base by tightening the lever. (Fig. 12)

For cleaner, safer cuts, set cut depth so that no more than one blade tooth projects below workpiece. Using proper cut depth helps to reduce potential for dangerous KICKBACKS which can cause personal injury.

Bevel cutting

Loosen the front lever. Set for the desired angle (0° - 50°) by tilting accordingly, then tighten the front lever securely. (Fig. 13)

Use the 45° stopper when you do precise 45° angle cutting. Turn the stopper counterclockwise fully for bevel cut (0° - 45°) and turn it clockwise for 0° - 50° bevel cuts. (Fig. 14)

Sighting (Fig. 15)

For straight cuts, align the 0° position on the front of the base with your cutting line. For 45° bevel cuts, align the

45° position with it. The position of the top guide is adjustable.

Lighting the lamp

CAUTION:

- Do not look in the lamp or see the source of lamp directly. (Fig. 16)

Only to turn on the lamp, pull the switch trigger without pressing the lock-off lever. To turn on the lamp and run the tool, press the lock-off lever and pull the switch trigger with pressing the lock-off lever. The lamp keeps on lighting while the switch trigger is being pulled. The lamp goes out 10 -15 seconds after releasing the trigger.

NOTE:

- Use a dry cloth to wipe the dirt off the lens of lamp. Be careful not to scratch the lens of lamp, or it may lower the illumination.
- Do not use gasoline, thinner or the like to clean the lens of lamp. Using such substances will damage the lens.

Hook

CAUTION:

- Always remove the battery when hanging the tool with the hook.
- Never hook the tool at high location or on potentially unstable surface.

The hook is convenient for hanging the tool temporarily. To use the hook, simply turn it until it snaps into the open position.

When not in use, always turn the hook until it snaps into the closed position. (Fig. 17)

ASSEMBLY

CAUTION:

- Always be sure that the tool is switched off and the battery cartridge is removed before carrying out any work on the tool.

Removing or installing saw blade

CAUTION:

- Be sure the blade is installed with teeth pointing up at the front of the tool.
- Use only the Makita wrench to install or remove the blade.

To remove the blade, press the shaft lock so that the blade cannot revolve and use the wrench to loosen the hex bolt clockwise. Then remove the hex bolt, outer flange and blade. (Fig. 18 & 19)

To install the blade, follow the removal procedure in reverse. **BE SURE TO TIGHTEN THE HEX BOLT COUNTERCLOCKWISE SECURELY.**

When changing blade, make sure to also clean the upper and lower blade guards of accumulated sawdust as discussed in the Maintenance section. Such efforts do not replace the need to check lower guard operation before each use.

For tool with the inner flange for other than 15.88 mm hole-diameter saw blade

CAUTION:

- **Make sure that the protrusion “a” on the inner flange that is positioned outside fits into the saw blade hole “a” perfectly.** Mounting the blade on the wrong side can result in the dangerous vibration.

The inner flange has a certain diameter protrusion on one side of it and a different diameter protrusion on the other side. Choose a correct side on which protrusion fits into the saw blade hole perfectly.

Next, mount the inner flange onto the mounting shaft so that the correct side of protrusion on the inner flange faces outward and then place saw blade and outer flange. (Fig. 20)

BE SURE TO TIGHTEN THE HEX BOLT COUNTERCLOCKWISE SECURELY.

For tool with the inner flange for a 15.88 mm hole-diameter saw blade (country specific) (Fig. 21 & 22)

Mount the inner flange with its recessed side facing outward onto the mounting shaft and then place saw blade (with the ring attached if needed), outer flange and hex bolt.

BE SURE TO TIGHTEN THE HEX BOLT COUNTERCLOCKWISE SECURELY.

WARNING:

- **Before mounting the blade onto the spindle, always be sure that the correct ring for the blade’s arbor hole you intend to use is installed between the inner and the outer flanges.** Use of the incorrect arbor hole ring may result in the improper mounting of the blade causing blade movement and severe vibration resulting in possible loss of control during operation and in serious personal injury.

Hex wrench storage (Fig. 23)

When not in use, store the hex wrench as shown in the figure to keep it from being lost.

Connecting a vacuum cleaner (for European countries only) (Fig. 24 & 25)

When you wish to perform clean cutting operation, connect a Makita vacuum cleaner to your tool.

Install the dust nozzle on the tool using the screw. Then connect a hose of the vacuum cleaner to the dust nozzle as shown in the figure.

OPERATION

CAUTION:

- Be sure to move the tool forward in a straight line gently. Forcing or twisting the tool will result in overheating the motor and dangerous kickback, possibly causing severe injury.
- Always use a front grip and rear handle and firmly hold the tool by both front grip and rear handle during operations. (Fig. 26)

Hold the tool firmly. The tool is provided with both a front grip and rear handle. Use both to best grasp the tool. If both hands are holding saw, they cannot be cut by the blade. Set the base on the workpiece to be cut without the blade making any contact. Then turn the tool on and wait

until the blade attains full speed. Now simply move the tool forward over the workpiece surface, keeping it flat and advancing smoothly until the sawing is completed. To get clean cuts, keep your sawing line straight and your speed of advance uniform. If the cut fails to properly follow your intended cut line, do not attempt to turn or force the tool back to the cut line. Doing so may bind the blade and lead to dangerous kickback and possible serious injury. Release switch, wait for blade to stop and then withdraw tool. Realign tool on new cut line, and start cut again. Attempt to avoid positioning which exposes operator to chips and wood dust being ejected from saw. Use eye protection to help avoid injury.

Rip fence (Guide rule) (optional accessory) (Fig. 27)

The handy rip fence allows you to do extra-accurate straight cuts. Simply slide the rip fence up snugly against the side of the workpiece and secure it in position with the clamping screw on the front of the base. It also makes repeated cuts of uniform width possible.

MAINTENANCE

CAUTION:

- Always be sure that the tool is switched off and the battery cartridge is removed before carrying out any work on the tool.
- **Clean out the upper and lower guards to ensure there is no accumulated sawdust which may impede the operation of the lower guarding system.** A dirty guarding system may limit the proper operation which could result in serious personal injury. The most effective way to accomplish this cleaning is with compressed air. **If the dust is being blown out of the guards be sure the proper eye and breathing protection is used.**
- Never use gasoline, benzene, thinner, alcohol or the like. Discoloration, deformation or cracks may result.

Adjusting for accuracy of 0° and 45° cut (vertical and 45° cut) (Fig. 28 & 29)

This adjustment has been made at the factory. But if it is off, adjust the adjusting screws with a hex wrench while inspecting 0° or 45° the blade with the base using a triangular rule or square rule, etc. Use the 45° stopper for adjusting 45° angle.

Adjusting bevel guide (Fig. 30)

The bevel guide has been factory adjusted. But if it is off, you can adjust it as the following procedure. To adjust the bevel guide, loosen the two screws. Align the 0° line on the bevel guide with the guide on the base when the base is set to 0° angle. To maintain product SAFETY and RELIABILITY, repairs, any other maintenance or adjustment should be performed by Makita Authorized Service Centers, always using Makita replacement parts.

OPTIONAL ACCESSORIES

CAUTION:

- These accessories or attachments are recommended for use with your Makita tool specified in this manual. The use of any other accessories or attachments might present a risk of injury to persons. Only use accessory or attachment for its stated purpose.

If you need any assistance for more details regarding these accessories, ask your local Makita Service Center.

- Saw blades
- Rip fence (Guide rule)
- Guide rail
- Guide rail adapter
- Rule bar
- Dust nozzle
- Hex wrench
- Makita genuine battery and charger

NOTE:

- Some items in the list may be included in the tool package as standard accessories. They may differ from country to country.

Noise

ENG905-1

The typical A-weighted noise level determined according to EN60745:

- Sound pressure level (L_{pA}): 83 dB (A)
- Sound power level (L_{WA}): 94 dB (A)
- Uncertainty (K): 3 dB (A)

Wear ear protection.

Vibration

ENG900-1

The vibration total value (tri-axial vector sum) determined according to EN60745:

- Work mode: cutting wood
- Vibration emission ($a_{h,W}$): 2.5 m/s² or less
- Uncertainty (K): 1.5 m/s²

ENG901-1

- The declared vibration emission value has been measured in accordance with the standard test method and may be used for comparing one tool with another.
- The declared vibration emission value may also be used in a preliminary assessment of exposure.

WARNING:

- The vibration emission during actual use of the power tool can differ from the declared emission value depending on the ways in which the tool is used.
- Be sure to identify safety measures to protect the operator that are based on an estimation of exposure in the actual conditions of use (taking account of all parts of the operating cycle such as the times when the tool is switched off and when it is running idle in addition to the trigger time).

For European countries only

ENH101-18

EC Declaration of Conformity

Makita declares that the following Machine(s):

Designation of Machine:

Cordless Circular Saw

Model No./Type: DHS680

Conforms to the following European Directives:

2006/42/EC

They are manufactured in accordance with the following standard or standardized documents:

EN60745

The technical file in accordance with 2006/42/EC is
available from:

Makita, Jan-Baptist Vinkstraat 2, 3070, Belgium

18. 3. 2014

A handwritten signature in black ink, appearing to read 'Yasushi Fukaya'.

Yasushi Fukaya
Director

Makita, Jan-Baptist Vinkstraat 2, 3070, Belgium

FRANÇAIS (Instructions d'origine)

Descriptif

| | | |
|---------------------------------------|------------------------|--|
| 1. Bouton | 14. Vis | 27. Arbre de montage |
| 2. Voyant rouge | 15. Lampe | 28. Bague |
| 3. Batterie | 16. Crochet | 29. Raccord à poussières |
| 4. Gâchette | 17. Fermer | 30. Aspirateur |
| 5. Levier de sécurité | 18. Ouvrir | 31. Tuyau |
| 6. Voyant de batterie | 19. Clé hexagonale | 32. Vis de serrage |
| 7. Voyant de mode | 20. Blocage de l'arbre | 33. Garde parallèle (règle de guidage) |
| 8. Levier | 21. Serrer | 34. Vis de réglage 45° |
| 9. Guide de profondeur | 22. Desserrer | 35. Vis de réglage 0° |
| 10. Levier avant | 23. Flasque intérieur | 36. Règle triangulaire |
| 11. Butée | 24. Lame | 37. Guide en biseau |
| 12. Ligne de coupe (position sur 0°) | 25. Flasque extérieur | 38. Guide |
| 13. Ligne de coupe (position sur 45°) | 26. Boulon hexagonal | |

SPÉCIFICATIONS

| | | |
|--------------------------|-------|-------------------------|
| Modèle | | DHS680 |
| Diamètre de la lame | | 165 mm |
| Profondeur de coupe max. | à 0° | 57 mm |
| | à 45° | 41 mm |
| | à 50° | 37 mm |
| Vitesse à vide | | 5 000 min ⁻¹ |
| Longueur totale | | 350 mm |
| Poids net | | 3,3 kg |
| Tension nominale | | 18 V C.C. |

- Étant donné l'évolution constante de notre programme de recherche et de développement, les spécifications contenues dans ce manuel sont sujettes à des modifications sans préavis.
- Les spécifications et la batterie peuvent varier d'un pays à l'autre.
- Poids, batterie incluse, selon la procédure EPTA 01/2003

Utilisations ENE078-2

L'outil est conçu pour les coupes en longueur et les coupes transversales, ainsi que pour les coupes d'onglet angulaires dans le bois en maintenant un contact ferme avec la pièce à travailler. Avec des lames d'origine Makita adaptées, il est également possible de couper d'autres matériaux.

Consignes de sécurité générales des outils électriques GEA010-1

⚠ AVERTISSEMENT Veuillez lire toutes les consignes de sécurité et les instructions. Il y a un risque de choc électrique, d'incendie et/ou de blessure grave si les consignes et les instructions ne sont pas toutes respectées.

Conservez toutes les consignes et instructions pour référence ultérieure.

AVERTISSEMENTS DE SÉCURITÉ CONCERNANT LA SCIE CIRCULAIRE SANS FIL GEB060-8

Procédures de coupe

1. **⚠ DANGER** : Gardez vos mains à l'écart de la zone de coupe et de la lame. Laissez votre deuxième main sur la poignée auxiliaire ou le carter du moteur. Vous ne risquez pas de vous couper les mains si vous les utilisez toutes les deux pour tenir la scie.
2. **Ne placez aucune partie de votre corps sous la pièce à travailler.** Le protège-lame ne peut pas vous protéger de la lame sous la pièce à travailler.
3. **Réglez la profondeur de coupe suivant l'épaisseur de la pièce à travailler.** La partie de la lame visible sous la pièce à travailler doit être moindre qu'une dent de lame complète.
4. **Ne tenez jamais la pièce avec les mains ou contre la jambe. Immobilisez la pièce contre une surface stable.** Il est important que la pièce soit soutenue correctement pour minimiser l'exposition du corps, les pincements de lame et les pertes de contrôle. (Fig. 1) Exemple typique d'une bonne prise et d'une pièce bien soutenue.
5. **Saisissez l'outil électrique par ses surfaces de poigne isolées uniquement, lorsque vous**

effectuez une opération au cours de laquelle l'outil tranchant peut entrer en contact avec des fils cachés. Le contact avec un fil sous tension mettra également les parties métalliques exposées de l'outil sous tension, risquant ainsi de provoquer un choc électrique chez l'utilisateur.

6. **Lors du sciage en long, utilisez toujours un garde parallèle ou un guide de coupe rectiligne.** La coupe sera plus précise et cela réduira les risques de pincement de la lame.
7. **Utilisez toujours des lames dont l'orifice central est de taille et de forme (diamanté ou circulaire) appropriés.** Si la lame utilisée n'est pas conçue pour la scie, elle tournera de manière excentrique et vous perdrez la maîtrise de l'outil.
8. **N'utilisez jamais de rondelles ou boulons endommagés ou inadéquats.** Les rondelles et le boulon ont été conçus exclusivement pour votre scie, afin d'assurer des performances optimales et une utilisation sûre.

Causes du choc en retour et avertissements afférents

- Le choc en retour est une réaction soudaine de l'outil lorsque la lame est coincée, pincée ou désalignée, et la scie, hors de contrôle, se soulève alors et se désolidarise de la pièce en se dirigeant vers l'utilisateur ;
- lorsque la lame se coince ou est pincée par le trait de scie qui se referme sur elle, elle se bloque et la réaction du moteur entraîne la projection de l'outil à grande vitesse vers l'opérateur ;
- si la lame se tord ou se désaligne par rapport à la ligne de coupe, les dents arrière risquent de creuser la surface supérieure du bois ; la lame sortira alors du trait de scie et bondira vers l'utilisateur.

Le choc en retour est dû à une mauvaise utilisation de l'outil et/ou à des procédures ou conditions de travail inappropriées. Il peut être évité en prenant les mesures appropriées, telles que celles indiquées ci-dessous.

9. **Maintenez une poigne ferme à deux mains sur la scie, et placez vos bras de sorte qu'ils puissent résister à la force du choc en retour. Placez-vous d'un côté ou de l'autre de la lame, jamais dans sa ligne de coupe.** Le choc en retour peut faire bondir la scie vers l'arrière, mais l'opérateur pourra alors maîtriser la force du choc en retour s'il prend les précautions nécessaires.
10. **Si la lame se pince ou si vous interrompez la coupe pour une raison quelconque, libérez la gâchette et maintenez la scie immobile dans le matériau jusqu'à l'arrêt complet de la lame. N'essayez jamais de retirer la scie de la pièce ou de la faire reculer alors que la lame tourne encore, au risque de provoquer un choc en retour.** Identifiez la cause du pincement de la lame et prenez les mesures correctives pour éliminer ladite cause.
11. **Avant de redémarrer la scie dans la pièce, centrez la lame dans le trait de scie et assurez-vous que les dents ne pénètrent pas dans le matériau.** Si la lame se pince, elle risque de remonter jusqu'à l'opérateur ou de causer un choc en retour lors du redémarrage de l'outil.
12. **Placez un dispositif de soutien sous les grandes pièces pour réduire les risques de pincement et de choc en retour.** Les panneaux de grande dimension

ont tendance à s'affaisser sous leur propre poids. Des dispositifs de soutien doivent être installés sous la pièce, de chaque côté, près de la ligne de coupe et des bords de la pièce. (Fig. 2 et 3)

Pour éviter les chocs en retour, assurez un soutien à la planche ou à la pièce près de la ligne de coupe.

Ne placez pas le dispositif de soutien de la planche ou de la pièce loin de la ligne de coupe.

13. **N'utilisez pas de lames émoussées ou endommagées.** Les lames mal affûtées ou mal posées produisent un trait de scie étroit, entraînant une friction excessive, le pincement de la lame et un choc en retour.
14. **Serrez fermement et sûrement les leviers de verrouillage de la profondeur de la lame et du réglage en biseau avant de procéder à la coupe.** Il y a risque de pincement et de choc en retour si les réglages de la lame sont modifiés pendant la coupe.
15. **Faites preuve d'une extrême vigilance lorsque vous sciez dans des murs existants ou d'autres zones aveugles.** La lame saillante peut couper des objets et provoquer un choc en retour.
16. **Tenez TOUJOURS l'outil fermement à deux mains. Ne posez JAMAIS votre main ou vos doigts derrière la lame.** En cas de choc en retour, la scie pourrait facilement sauter vers l'arrière et passer sur votre main, vous infligeant des blessures graves. (Fig. 4)
17. **Ne forcez jamais la scie. Faites avancer la scie à une vitesse permettant à la lame de tourner sans perte de vitesse.** Le fait de forcer la scie peut résulter en des coupes inégales, une perte de précision et un choc en retour.

Carter de protection inférieur

18. **Avant chaque utilisation, assurez-vous que le carter de protection inférieur ferme bien. N'utilisez pas la scie si le carter de protection inférieur ne se déplace pas librement et ne se referme pas immédiatement. Évitez d'immobiliser ou de fixer le carter de protection inférieur en position ouverte.** Le carter de protection inférieur risque de se plier si vous laissez échapper la scie par accident. Soulevez le carter de protection inférieur à l'aide de la poignée rétractable et assurez-vous qu'il se déplace librement sans entrer en contact avec la lame ou toute autre partie de la scie, quels que soient l'angle et la profondeur de coupe.
19. **Vérifiez le fonctionnement du ressort du carter de protection inférieur. Si le carter de protection et le ressort ne fonctionnent pas correctement, vous devez les réparer avant d'utiliser l'outil.** Le fonctionnement du carter de protection inférieur peut être ralenti par des pièces endommagées, des dépôts gluants ou une accumulation de débris.
20. **Le carter de protection inférieur peut être rétracté manuellement uniquement lors des coupes spéciales, comme par exemple les « coupes en plongées » et les « coupes composées ». Soulevez le carter de protection inférieur à l'aide de la poignée rétractable et libérez-le dès que la lame entre en contact avec le matériau.** Pour tout autre type de coupe, le carter de protection inférieur doit fonctionner automatiquement.

21. **Assurez-vous toujours que le carter de protection inférieur recouvre la lame avant de poser la scie sur l'établi ou le plancher.** Si vous ne couvrez pas la lame à l'aide du carter de protection, la scie risque de se déplacer vers l'arrière en coupant tout ce qui se trouve sur sa trajectoire. N'oubliez pas qu'un délai est nécessaire avant l'arrêt de la lame une fois la gâchette relâchée.
22. **Pour vérifier que le carter de protection inférieur se referme bien, ouvrez-le manuellement et relâchez-le. Assurez-vous également que la poignée rétractable ne touche pas le carter de l'outil.** Une lame exposée est TRÈS DANGEREUSE et peut causer de graves blessures.

Autres avertissements de sécurité

23. **Faites preuve d'une extrême prudence lorsque vous coupez du bois mouillé, du bois traité sous pression ou du bois qui contient des nœuds.** Laissez l'outil avancer en douceur sans diminuer la vitesse de la lame pour éviter la surchauffe de son extrémité.
24. **N'essayez pas de retirer le matériau coupé pendant que la lame tourne. Attendez l'arrêt total de la lame avant de saisir le matériau coupé.** La lame continue de tourner même une fois le contact coupé.
25. **Évitez de couper les clous. Avant de couper dans le bois de construction, inspectez-le et retirez-en tous les clous.**
26. **Placez la partie la plus large du socle de la scie sur la partie de la pièce à travailler qui est solidement soutenue, non sur celle qui tombera une fois la coupe terminée.** À titre d'exemples, la Fig. 5 illustre la BONNE façon de couper l'extrémité d'une planche, tandis que la Fig. 6 illustre la MAUVAISE façon. Si la pièce est courte ou petite, placez-la dans un dispositif de serrage. **N'ESSAYEZ PAS DE MAINTENIR LES PETITES PIÈCES AVEC LA MAIN !** (Fig. 5 et 6)
27. **Avant de déposer l'outil une fois la coupe terminée, assurez-vous que le carter de protection inférieur est fermé et que la lame est parfaitement immobile.**
28. **N'essayez jamais de scier en plaçant la scie circulaire à l'envers dans un étai.** Cela est très dangereux et peut entraîner des accidents graves. (Fig. 7)
29. **Certains matériaux contiennent des produits chimiques qui peuvent être toxiques. Veillez à éviter toute inhalation de poussière et tout contact avec la peau. Respectez les instructions de sécurité du fournisseur du matériel.**
30. **N'appliquez jamais de pression latérale sur la lame pour l'arrêter.**
31. **N'utilisez pas de disques abrasifs.**
32. **Utilisez uniquement une lame d'un diamètre conforme aux indications figurant sur l'outil ou spécifiées dans le manuel.** Une lame de dimensions incorrectes risque de ne pas être protégée correctement ou de perturber le fonctionnement du protège-lame, provoquant des blessures corporelles graves.
33. **Maintenez la lame bien affûtée et propre.** Les dépôts de colle et les copeaux de bois qui durcissent

contre la lame ralentissent la scie et augmentent les risques de choc en retour. Pour nettoyer la lame, retirez-la d'abord de l'outil, puis nettoyez-la avec un décapant, de l'eau chaude ou du kérosène. N'utilisez jamais d'essence.

34. **Portez un masque anti-poussière et des protections d'oreilles lorsque vous utilisez l'outil.**

CONSERVEZ CES INSTRUCTIONS.



AVERTISSEMENT :

NE vous laissez PAS tromper (au fil d'une utilisation répétée) par un sentiment d'aisance et de familiarité avec le produit, en négligeant le respect rigoureux des consignes de sécurité qui accompagnent l'outil. Une UTILISATION INCORRECTE de l'outil ou le non-respect des consignes de sécurité indiquées dans ce manuel d'instructions peuvent causer des blessures graves.

CONSIGNES DE SÉCURITÉ IMPORTANTES

ENC007-8

POUR LA BATTERIE

- Avant d'utiliser la batterie, veuillez lire toutes les instructions et tous les avertissements inscrits sur (1) le chargeur, (2) la batterie et (3) l'appareil alimenté par la batterie.
- Ne démontez pas la batterie.
- Cessez immédiatement d'utiliser l'outil si le temps de fonctionnement devient excessivement court. Il y a un risque de surchauffe, de brûlures, voire d'explosion.
- Si l'électrolyte pénètre dans vos yeux, rincez-les à l'eau claire et consultez immédiatement un médecin. Il y a un risque de perte de la vue.
- Évitez de court-circuiter la batterie :
 - Ne touchez les bornes avec aucun matériau conducteur.
 - Évitez de ranger la batterie dans un contenant où se trouvent d'autres objets métalliques tels que des clous, pièces de monnaie, etc.
 - N'exposez pas la batterie à l'eau ou à la pluie. Un court-circuit de la batterie risque de provoquer un fort courant, une surchauffe, parfois des brûlures et même une panne.
- Ne rangez pas l'outil ou la batterie dans des endroits où la température risque d'atteindre ou de dépasser 50 °C (122 °F).
- Ne jetez pas la batterie au feu même si elle est sérieusement endommagée ou complètement épuisée. La batterie peut exploser au contact du feu.
- Veillez à ne pas laisser tomber ou heurter la batterie.
- N'utilisez pas de batterie endommagée.
- Respectez les réglementations locales relatives à la mise au rebut des batteries.

CONSERVEZ CES INSTRUCTIONS.

Conseils pour assurer la durée de vie optimale de la batterie

1. **Rechargez la batterie avant qu'elle ne soit complètement épuisée.**
Arrêtez toujours l'outil et rechargez la batterie quand vous constatez que la puissance de l'outil diminue.
2. **Ne rechargez jamais une batterie complètement chargée.**
La surcharge réduit la durée de service de la batterie.
3. **Chargez la batterie alors que la température de la pièce se trouve entre 10 °C et 40 °C (50 °F et 104 °F). Si une batterie est chaude, laissez-la refroidir avant de la charger.**
4. **Si vous n'utilisez pas l'outil pendant une période prolongée, rechargez la batterie tous les six mois.**

DESCRIPTION DU FONCTIONNEMENT

⚠ ATTENTION :

- Veillez toujours à ce que l'outil soit éteint et la batterie retirée avant d'effectuer des réglages ou de vérifier le fonctionnement de l'outil.

Installation ou retrait de la batterie (Fig. 8)

⚠ ATTENTION :

- Éteignez toujours l'outil avant d'installer ou de retirer la batterie.
- **Tenez fermement l'outil et la batterie lors de l'installation ou du retrait de la batterie.** Si vous ne tenez pas fermement l'outil et la batterie, ils risquent de glisser et de s'abîmer ou de vous blesser.

Pour retirer la batterie, faites glisser le bouton à l'avant de la batterie et sortez la batterie.

Pour installer la batterie, alignez sa languette sur la rainure qui se trouve à l'intérieur du carter, puis faites glisser la batterie pour la mettre en place. Insérez-la bien à fond, jusqu'à ce qu'elle se verrouille en émettant un léger clic. Si vous pouvez voir le voyant rouge sur la face supérieure du bouton, la batterie n'est pas parfaitement verrouillée.

⚠ ATTENTION :

- Installez toujours la batterie à fond, de sorte que le voyant rouge ne soit plus visible. Sinon, elle risque de tomber accidentellement de l'outil, en vous blessant ou en blessant une personne située près de vous.
- Ne forcez pas pour installer la batterie. Si la batterie ne glisse pas aisément, elle n'est pas insérée correctement.

REMARQUE :

- Si vous ne parvenez pas à retirer la batterie facilement, appuyez dessus depuis le côté opposé du bouton et faites-la glisser.

Interrupteurs

⚠ ATTENTION :

- Avant d'installer la batterie dans l'outil, vérifiez toujours que la gâchette fonctionne bien et revient en position « OFF » lorsqu'elle est libérée.
- Ne forcez pas en appuyant sur la gâchette sans avoir d'abord enfoncé le levier de sécurité. Vous risqueriez de casser l'interrupteur. (Fig. 9)













L'outil est équipé d'un levier de sécurité pour prévenir la pression accidentelle sur la gâchette. Pour démarrer l'outil, appuyez sur le levier de sécurité, puis appuyez sur la gâchette. Pour l'arrêter, relâchez la gâchette.

⚠ AVERTISSEMENT :

- Pour votre sécurité, cet outil est doté d'un levier de sécurité qui empêche le démarrage accidentel de l'outil. N'utilisez JAMAIS l'outil s'il se met en marche lorsque vous appuyez simplement sur la gâchette sans avoir appuyé sur le levier de sécurité. Renvoyez l'outil à un centre de service après-vente MAKITA pour le faire réparer AVANT toute nouvelle utilisation.
- Le levier de sécurité NE doit JAMAIS être immobilisé avec du ruban adhésif, ni modifié.





Indication de l'autonomie restante de la batterie (Fig. 10)

Lorsque vous mettez l'outil sous tension, le voyant de batterie indique l'autonomie restante de la batterie. Les différentes autonomies restantes de la batterie sont présentées dans le tableau suivant.

| État du voyant de la batterie | | | Autonomie restante de la batterie |
|---|---|---|-----------------------------------|
| ■ : allumé | □ : éteint | ◐ : clignotant | |
|  |  |  | 50 % à 100 % |
|  |  |  | 20 % à 50 % |
|  |  |  | 0 % à 20 % |
|  |  |  | Recharger la batterie |

015146

Fonction de changement de vitesse automatique (Fig. 11)

| État du voyant de mode | | Mode de fonctionnement |
|---|---|------------------------|
|  |  | Mode vitesse élevée |
|  |  | Mode couple élevé |

015137

Cet outil dispose d'un « mode vitesse élevée » et d'un « mode couple élevé ». Il change automatiquement de mode de fonctionnement selon la charge utile. Si le voyant de mode s'allume pendant le fonctionnement, l'outil est en mode couple élevé.

Système de protection de l'outil/la batterie






L'outil est équipé d'un système de protection de l'outil/la batterie. Ce système coupe automatiquement l'alimentation en électricité vers le moteur afin de prolonger la durée de vie de l'outil et de la batterie. L'outil s'arrête automatiquement pendant le fonctionnement si la batterie ou l'outil lui-même se trouve dans l'une des situations suivantes. Dans certains cas, le voyant s'allume.

Protection contre les surcharges

Si vous utilisez l'outil de sorte que son fonctionnement entraîne une augmentation anormalement élevée de la demande de courant, il s'arrête automatiquement sans aucune précision. Dans ce cas, mettez l'outil hors tension et arrêtez l'application ayant provoqué la surcharge de l'outil. Mettez ensuite l'outil sous tension pour le redémarrer.

Protection contre les surchauffes de l'outil






Si l'outil est en surchauffe, il s'arrête automatiquement et le voyant de batterie présente les états suivants. Dans ce cas, laissez l'outil refroidir avant de le remettre sous tension.

| | | | |
|---|--|--|--|
| Voyant de batterie |  : allumé |  : éteint |  : clignotant |
|   | L'outil est en surchauffe. | | |

015145

Libération du verrou de protection

Si le système de protection fonctionne de façon répétée, l'outil se verrouille et le voyant de batterie présente les états suivants.

| | | | |
|---|--|--|--|
| Voyant de batterie |  : allumé |  : éteint |  : clignotant |
|   | Le verrou de protection fonctionne | | |

015201

Dans ce cas, l'outil ne démarre pas, même si vous le mettez hors tension et de nouveau sous tension. Pour libérer le verrou de protection, retirez la batterie, placez-la dans le chargeur de batterie et attendez la fin du chargement.

Réglage de la profondeur de coupe

⚠ ATTENTION :

- Après avoir réglé la profondeur de coupe, serrez toujours fermement le levier.

Desserrez le levier du côté de la poignée arrière puis déplacez le socle vers le haut ou le bas. Une fois que vous avez obtenu la profondeur de coupe souhaitée, fixez le socle en serrant le levier. (Fig. 12)

Pour obtenir des coupes plus propres et les effectuer de manière plus sûre, réglez la profondeur de coupe de sorte qu'une dent de lame au maximum dépasse sous la pièce. Une profondeur de coupe adéquate permet de réduire les risques de CHOCS EN RETOUR dangereux et de blessures.

Coupe en biseau

Desserrez le levier avant. Réglez sur l'angle désiré (0° à 50°) en l'inclinant, puis serrez fermement le levier avant. (Fig. 13)

Utilisez la butée à 45° pour effectuer avec précision une coupe angulaire de 45°. Tournez complètement la butée dans le sens inverse des aiguilles d'une montre pour réaliser une coupe en biseau (0° à 45°), et tournez-la en sens inverse pour les coupes en biseau de 0° à 50°. (Fig. 14)

Visée (Fig. 15)

Pour les coupes rectilignes, alignez la position à 0° à l'avant du socle sur la ligne de coupe. Pour les coupes en biseau de 45°, alignez la position à 45° sur la ligne de coupe. La position du guide supérieur est réglable.

Allumage de la lampe

⚠ ATTENTION :

- Évitez de regarder directement la lampe ou sa source. (Fig. 16)

Pour allumer uniquement la lampe, appuyez sur la gâchette sans enfoncer le levier de sécurité. Pour allumer la lampe et démarrer l'outil, enfoncez le levier de sécurité et appuyez sur la gâchette en laissant le levier de sécurité enfoncé. La lampe reste allumée tant que vous maintenez la pression sur la gâchette. La lampe s'éteint 10 à 15 secondes après la libération de la gâchette.

REMARQUE :

- Utilisez un chiffon sec pour essuyer les saletés qui recouvrent la lentille de la lampe. Prenez garde de ne pas rayer la lentille de la lampe afin de ne pas affecter sa capacité d'éclairage.
- N'utilisez pas d'essence, de diluant ou d'autre liquide similaire pour nettoyer la lentille de la lampe. Vous risquez d'endommager l'objectif si vous utilisez de telles substances.

Crochet

⚠ ATTENTION :

- Retirez toujours la batterie lorsque vous suspendez l'outil avec le crochet.
- Ne suspendez jamais l'outil dans un endroit élevé ou sur une surface qui risque d'être instable.

Le crochet est pratique pour suspendre l'outil temporairement. Pour utiliser le crochet, tournez-le simplement jusqu'à ce qu'il s'enclenche en position ouverte.

Lorsque vous n'utilisez pas le crochet, rabaissez-le toujours jusqu'à ce qu'il s'enclenche en position fermée. (Fig. 17)

MONTAGE

⚠ ATTENTION :

- Veillez toujours à mettre l'outil hors tension et à retirer la batterie avant d'effectuer toute intervention sur l'outil.

Retrait ou installation de la lame

⚠ ATTENTION :

- Assurez-vous que la lame est installée avec les dents orientées vers le haut à l'avant de l'outil.
- Utilisez exclusivement une clé Makita pour installer ou retirer la lame.

Pour retirer la lame, appuyez sur le blocage de l'arbre de sorte que la lame ne puisse pas tourner, et desserrez le boulon hexagonal à l'aide de la clé hexagonale, en tournant dans le sens des aiguilles d'une montre. Retirez ensuite le boulon hexagonal, le flasque extérieur et la lame. (Fig. 18 et 19)

Pour installer la lame, suivez la procédure de retrait dans l'ordre inverse. ASSUREZ-VOUS D'AVOIR FERMEMENT SERRÉ LE BOULON HEXAGONAL EN LE TOURNANT DANS LE SENS INVERSE DES AIGUILLES D'UNE MONTRE.

Lorsque vous changez de lame, veillez à retirer la sciure de bois accumulée sur les carter de protection supérieur et inférieur, comme indiqué dans la section Entretien.

Vous devez vérifier le bon fonctionnement du carter de protection inférieur avant chaque utilisation, même après un nettoyage.

Pour les outils dont le flasque intérieur est adapté à une lame comportant un orifice de diamètre différent de 15,88 mm

⚠ ATTENTION :

- **Vérifiez que la partie saillante « a » sur le flasque intérieur situé à l'extérieur s'adapte parfaitement dans l'orifice « a » de la lame.** Le montage de la lame du mauvais côté peut provoquer des vibrations dangereuses.

Le flasque intérieur possède une partie saillante d'un certain diamètre sur l'un de ses côtés et une partie saillante d'un diamètre différent sur l'autre côté. Choisissez un côté sur lequel la partie saillante s'adapte parfaitement dans l'orifice de la lame. Ensuite, installez le flasque intérieur sur l'arbre de montage, de sorte que le côté de la partie saillante sur le flasque intérieur soit orienté vers l'extérieur, puis installez la lame et le flasque extérieur. (Fig. 20)
VEILLEZ À SERRER FERMEMENT LE BOULON HEXAGONAL EN LE TOURNANT DANS LE SENS INVERSE DES AIGUILLES D'UNE MONTRE.

Pour les outils dont le flasque intérieur est adapté à une lame dont l'orifice du diamètre est de 15,88 mm (selon les pays) (Fig. 21 et 22)

Installez le flasque intérieur en orientant son côté creux vers l'extérieur sur l'arbre de montage, puis installez la lame (après avoir fixé la bague au besoin), le flasque extérieur et le boulon hexagonal.
VEILLEZ À SERRER FERMEMENT LE BOULON HEXAGONAL EN LE TOURNANT DANS LE SENS INVERSE DES AIGUILLES D'UNE MONTRE.

⚠ AVERTISSEMENT :

- **Avant de monter la lame sur l'axe, assurez-vous toujours d'avoir installé, entre les flasques intérieur et extérieur, la bonne bague pour l'alésage central de la lame que vous prévoyez d'utiliser.** L'utilisation d'une bague d'alésage incorrecte peut entraîner un montage incorrect de la lame, provoquant un mouvement de la lame ainsi que d'importantes vibrations et entraînant une perte de contrôle pendant le fonctionnement ainsi que de graves blessures corporelles.

Rangement de la clé hexagonale (Fig. 23)

Lorsque vous n'utilisez pas la clé hexagonale, rangez-la comme illustré sur la figure pour éviter de la perdre.

Raccorder un aspirateur (pour les pays d'Europe uniquement) (Fig. 24 et 25)

Pour effectuer un travail plus propre, raccordez un aspirateur Makita à votre outil.

Installez le raccord à poussières sur l'outil à l'aide de la vis. Connectez ensuite le tuyau de l'aspirateur au raccord à poussières, comme illustré sur la figure.

FONCTIONNEMENT

⚠ ATTENTION :

- Vous devez faire avancer l'outil doucement, en ligne droite. Le fait de forcer ou de tordre l'outil entraîne une surchauffe du moteur et un dangereux choc en retour, susceptibles de provoquer de graves blessures.
- Utilisez toujours la poignée avant et la poignée arrière et tenez fermement l'outil par la poignée avant et la poignée arrière pendant l'utilisation. (Fig. 26)

Tenez l'outil fermement. L'outil est doté d'une poignée avant et d'une poignée arrière. Tenez l'outil par ses deux poignées. Vous ne risquez pas de vous couper les mains si vous les utilisez toutes les deux pour tenir la scie. Placez le socle de l'outil sur la pièce, de sorte que la lame n'entre en contact avec aucun objet. Mettez ensuite l'outil sous tension et attendez que la lame ait atteint sa pleine vitesse. Ensuite, déplacez simplement l'outil vers l'avant sur la surface de la pièce, en le maintenant bien à plat et en le faisant avancer doucement, jusqu'à ce que la coupe soit terminée.

Pour des coupes propres, évitez de dévier de la ligne de coupe et faites avancer l'outil à une vitesse régulière. Si la lame dévie de la ligne de coupe prévue, ne tentez pas de modifier la course de l'outil pour le forcer à revenir sur la ligne de coupe. Vous risqueriez de plier la lame et de provoquer un dangereux choc en retour et des blessures graves. Relâchez la gâchette, attendez l'arrêt complet de la lame, puis retirez l'outil. Réalignez l'outil sur une nouvelle ligne de coupe, puis poursuivez la coupe. Évitez de vous exposer aux copeaux et sciures de bois éjectés par la scie. Portez des lunettes de protection pour réduire les risques de blessure.

Garde parallèle (règle de guidage) (accessoire fourni en option) (Fig. 27)

Le garde parallèle est pratique pour effectuer des coupes droites avec une très grande précision. Faites simplement glisser le garde parallèle le long du bord de la pièce en le

maintenant en position à l'aide de la vis de serrage qui se trouve à l'avant du socle. Cela permet également d'effectuer plusieurs coupes d'une largeur uniforme.

ENTRETIEN

ATTENTION :

- Veillez toujours à mettre l'outil hors tension et à retirer la batterie avant d'effectuer toute intervention sur l'outil.
- **Nettoyez les carters de protection supérieur et inférieur afin de vous assurer que de la sciure de bois ne s'est pas accumulée et ne risque pas d'empêcher le fonctionnement du système de protection inférieur.** Un système de protection sale peut perturber le fonctionnement et provoquer de graves blessures corporelles. Le nettoyage le plus efficace doit être réalisé avec de l'air comprimé. **En cas de projection de poussière au niveau des carters de protection veillez à utiliser des lunettes et un masque adaptés.**
- N'utilisez jamais d'essence, de benzine, de diluant, d'alcool ou de produit similaire. Ces produits risquent de provoquer des décolorations, des déformations ou des fissures.

Réglage de précision pour les coupes de 0° et 45° (coupes verticales et à 45°) (Fig. 28 et 29)

Ce réglage est effectué en usine. S'il est désactivé, réajustez les vis de réglage au moyen d'une clé hexagonale, en vous assurant que la lame est sur un angle de 0° ou 45° par rapport au socle, avec une règle triangulaire, une équerre de menuisier, etc. Utilisez la butée à 45° pour régler l'angle à 45°.

Réglage du guide en biseau (Fig. 30)

Le guide en biseau a été réglé en usine. Mais s'il est désactivé, vous pouvez le régler en procédant comme suit.

Pour régler le guide en biseau, desserrez les deux vis. Alignez le repère 0° du guide en biseau sur le guide du socle lorsque ce dernier est réglé selon un angle de 0°. Pour garantir la SÉCURITÉ et la FIABILITÉ du produit, les réparations ainsi que tout autre travail d'entretien ou de réglage doivent être effectués dans un centre d'entretien Makita agréé, exclusivement avec des pièces de rechange Makita.

ACCESSOIRES FOURNIS EN OPTION

ATTENTION :

- Ces accessoires ou pièces complémentaires sont recommandés pour être utilisés avec l'outil Makita spécifié dans ce mode d'emploi. L'utilisation de tout autre accessoire ou pièce complémentaire peut comporter un risque de blessure. N'utilisez les accessoires ou pièces qu'aux fins auxquelles ils ont été conçus.

Pour obtenir plus de détails sur ces accessoires, contactez votre Centre de service local Makita.

- Lames
- Garde parallèle (règle de guidage)

- Rail de guidage
- Adaptateur pour rail de guidage
- Tige graduée
- Raccord à poussières
- Clé hexagonale
- Batterie et chargeur Makita d'origine

REMARQUE :

- Certains éléments de la liste peuvent être inclus en tant qu'accessoires standard dans le coffret de l'outil envoyé. Ils peuvent varier suivant les pays.

Bruit

ENG905-1

Les niveaux de bruit pondéré A typiques ont été mesurés selon la norme EN60745 :

Niveau de pression sonore (L_{pA}) : 83 dB (A)

Niveau de puissance sonore (L_{WA}) : 94 dB (A)

Incertitude (K) : 3 dB (A)

Portez des protections auditives.

Vibrations

ENG900-1

La valeur totale de vibration (somme du vecteur triaxial) a été déterminée selon la norme EN60745 :

Mode de fonctionnement : découpe de bois

Émission des vibrations ($a_{h,W}$) : 2,5 m/s² au maximum

Incertitude (K) : 1,5 m/s²

ENG901-1

- La valeur de l'émission des vibrations déclarée a été mesurée conformément à la méthode de test standard et peut être utilisée afin de comparer des outils entre eux.
- La valeur de l'émission des vibrations déclarée peut également être utilisée lors d'une évaluation préliminaire de l'exposition.

AVERTISSEMENT :

- Selon la manière dont l'outil est utilisé, il est possible que l'émission des vibrations pendant l'utilisation réelle de l'outil électrique diffère de la valeur de l'émission déclarée.
- Veillez à identifier les mesures de sécurité destinées à protéger l'opérateur et établies en fonction de l'estimation de l'exposition dans les conditions réelles d'utilisation (en prenant en compte toutes les étapes du cycle de fonctionnement, telles que les périodes de mise hors tension de l'outil, les périodes de fonctionnement au ralenti et les périodes de mise en route).

Pour les pays d'Europe uniquement Déclaration de conformité CE

ENH101-18

Makita déclare que la/les machine(s) suivante(s) :

Nom de la machine :

Scie Circulaire sans Fil

N° de modèle/Type : DHS680

sont conformes aux directives européennes suivantes :

2006/42/CE

sont produites conformément aux normes ou documents de normalisation suivants :

EN60745

Le dossier technique conforme à la norme 2006/42/CE
est disponible auprès de :

Makita, Jan-Baptist Vinkstraat 2, 3070, Belgique

18. 3. 2014

A handwritten signature in black ink, appearing to read 'Yasushi Fukaya'.

Yasushi Fukaya
Directeur

Makita, Jan-Baptist Vinkstraat 2, 3070, Belgique

DEUTSCH (Originalanweisungen)

Erklärung der Gesamtdarstellung

- | | | |
|---------------------------------|-----------------------------|---------------------------------------|
| 1. Taste | 14. Schraube | 27. Montageschaft |
| 2. Roter Bereich | 15. Lampe | 28. Ring |
| 3. Akkublock | 16. Haken | 29. Absaugstutzen |
| 4. Ein/Aus-Schalter | 17. Geschlossen | 30. Absauggerät |
| 5. Entriegelungshebel | 18. Offen | 31. Saugschlauch |
| 6. Akkuanzeige | 19. Innensechskantschlüssel | 32. Feststellschraube |
| 7. Modusanzeige | 20. Spindelarretierung | 33. Parallelanschlag (Führungslineal) |
| 8. Hebel | 21. Festziehen | 34. Einstellschraube für 45° |
| 9. Tiefenführung | 22. Lösen | 35. Einstellschraube für 0° |
| 10. Vorderer Hebel | 23. Innenflansch | 36. Einstellendreieck |
| 11. Anschlag | 24. Sägeblatt | 37. Gehrungsführung |
| 12. Schnittlinie (0°-Position) | 25. Außenflansch | 38. Führung |
| 13. Schnittlinie (45°-Position) | 26. Sechskantschraube | |

TECHNISCHE DATEN

| | | |
|-----------------------|---------|-------------------------|
| Modell | | DHS680 |
| Durchmesser Sägeblatt | | 165 mm |
| Max. Schnitttiefe | bei 0° | 57 mm |
| | bei 45° | 41 mm |
| | bei 50° | 37 mm |
| Leerlaufdrehzahl | | 5.000 min ⁻¹ |
| Gesamtlänge | | 350 mm |
| Nettogewicht | | 3,3 kg |
| Nennspannung | | 18 V Gleichspannung |

- Aufgrund unserer beständigen Forschungen und Weiterentwicklungen sind Änderungen an den hier angegebenen Technischen Daten ohne Vorankündigung vorbehalten.
- Die Technischen Daten und der Akkublock können in den einzelnen Ländern Abweichungen aufweisen.
- Gewicht, mit Akkublock, ermittelt gemäß EPTA-Verfahren 01/2003

Verwendungszweck ENE078-2

Das Werkzeug eignet sich für Längs- und Querschnitte sowie Gehrungsschnitte mit Winkeln in Holz bei engem Kontakt mit dem Werkstück. Mit geeigneten Original-Sägeblättern von Makita können auch andere Materialien gesägt werden.

Allgemeine Sicherheitshinweise für Elektrowerkzeuge

GEA010-1

⚠️ WARNUNG Lesen Sie alle Sicherheitshinweise und Anweisungen sorgfältig durch. Wenn die Hinweise und Anweisungen nicht beachtet werden, besteht die Gefahr eines Stromschlags, Brands und/oder das Risiko von ernsthaften Verletzungen.

Bewahren Sie alle Hinweise und Anweisungen zur späteren Referenz gut auf.

SICHERHEITSHINWEISE ZUR AKKU-HANDKREISSÄGE

GEB060-8

Schneidverfahren

1. **⚠️ GEFAHR: Halten Sie Ihre Hände vom Schneidebereich und dem Blatt fern. Halten Sie**

Ihre andere Hand auf dem Zusatzgriff oder dem Motorgehäuse. Nur mit beiden Händen an der Säge können Sie Schnittverletzungen der Hände durch das Sägeblatt vermeiden.

2. **Fassen Sie niemals unter das Werkstück.** Die Schutzvorrichtung bietet keinen Schutz vor dem Sägeblatt unter dem Werkstück.
3. **Passen Sie die Schnitttiefe an die Dicke des Werkstücks an.** Es sollte weniger als ein kompletter Sägezahn des Sägeblatts unter dem Werkstück sichtbar sein.
4. **Halten Sie das zu schneidende Werkstück niemals in Ihren Händen oder über Ihrem Bein. Sichern Sie das Werkstück an einer stabilen Unterlage.** Es ist wichtig, dass Sie das Werkstück ordnungsgemäß abstützen, um Verletzungen, ein Verkanten des Sägeblatts oder den Verlust der Kontrolle zu vermeiden. (**Abb. 1**)
Beispiel für die richtige Haltung der Hände und das Abstützen des Werkstücks.
5. **Halten Sie das Elektrowerkzeug ausschließlich an den isolierten Griffflächen, wenn Sie unter Bedingungen arbeiten, bei denen das Schneidwerkzeug verborgene Kabel berühren kann.** Bei Kontakt mit einem stromführenden Kabel wird der Strom an die Metallteile des Elektrowerkzeugs und dadurch an den Bediener

weitergeleitet, und der Bediener erleidet einen Stromschlag.

6. **Verwenden Sie bei Längsschnitten immer einen Parallelanschlag oder eine Führungsschiene.** Dies verbessert die Präzision des Schnitts und verringert die Gefahr des Verkantens des Sägeblatts.
7. **Verwenden Sie stets Sägeblätter in der richtigen Größe und Form (Raute oder Kreis) des Aufnahme Lochs.** Sägeblätter, die nicht zu den Montageteilen der Säge passen, laufen exzentrisch und führen zum Kontrollverlust.
8. **Verwenden Sie niemals defekte oder vom Original abweichende Sägeblatt-Unterlegscheiben oder -schrauben.** Die Unterlegscheiben und Schrauben wurden eigens für Ihre Säge entwickelt, um einen Betrieb mit optimaler Leistung und Sicherheit zu gewährleisten.

Ursachen für Rückschlag und entsprechende Warnhinweise

- Ein Rückschlag entsteht als plötzliche Reaktion auf ein eingeklemmtes, fest sitzendes oder falsch ausgerichtetes Sägeblatt und führt zum unkontrollierten Springen der Säge aus dem Werkstück in Richtung Bediener.
- Wenn sich das Sägeblatt verklemmt oder durch die sich nach unten verengende Sägefuge fest erfasst wird, stoppt das Sägeblatt plötzlich, und die Motorkraft lässt die Säge schnell in Richtung des Bedieners springen.
- Wenn sich das Sägeblatt im Schnitt dreht oder verschiebt, können die Zähne an der hinteren Kante des Sägeblatts in die Oberfläche des Holzes eingreifen, und dies kann dazu führen, dass das Sägeblatt aus der Sägefuge tritt und zurück in Richtung des Bedieners springt.

Rückschläge werden durch eine falsche Handhabung der Säge und/oder unsachgemäßes Vorgehen oder unsachgemäße Arbeitsbedingungen verursacht und können durch die im Folgenden aufgeführten Maßnahmen vermieden werden.

9. **Halten Sie die Säge stets mit beiden Händen gut fest und legen Sie Ihre Arme so an, dass Sie Rückschläge abwehren können. Stellen Sie sich seitlich zum Sägeblatt hin, niemals in einer Linie mit dem Sägeblatt.** Bei einem Rückschlag kann die Säge plötzlich nach hinten springen. Derartige Rückschlagkräfte können jedoch durch geeignete Maßnahmen des Bedieners beherrscht werden.
10. **Wenn das Sägeblatt sich verkantet oder Sie den Sägevorgang aus irgendeinem Grund unterbrechen, betätigen Sie den Auslöser und halten Sie die Säge bis zum kompletten Stillstand des Sägeblatts im Material, ohne es dabei zu bewegen. Versuchen Sie niemals, bei laufendem Sägeblatt die Säge aus dem Werkstück zu entfernen oder sie nach hinten herauszuziehen, da dies zu einem Rückschlag führen kann.** Überprüfen Sie die Ursache für das Verkanten des Sägeblatts und ergreifen Sie Korrekturmaßnahmen.
11. **Wenn Sie eine sich im Schnitt befindende Säge wieder einschalten, halten Sie das Sägeblatt mittig in der Sägefuge und achten Sie darauf, dass die Sägezähne nicht in das Material greifen.** Falls das Sägeblatt verkantet ist, kann es beim

Wiedereinschalten der Säge hochspringen oder vom Werkstück zurückschlagen.

12. **Große Werkstücke müssen abgestützt werden, um die Gefahr des Einklemmens des Sägeblatts oder eines Rückschlags zu vermeiden.** Große Werkstücke können sich unter ihrem eigenen Gewicht durchbiegen. Unter dem Werkstück sind nahe der Schnittlinie und nahe den Werkstückkanten beidseitig Stützen zu platzieren. **(Abb. 2 und 3)**
Zum Vermeiden eines Rückschlags stützen Sie das Brett oder das Werkstück nahe der Schnittstelle ab.
Stützen Sie das Brett oder Werkstück nicht zu weit von der Schnittstelle ab.
13. **Verwenden Sie keine stumpfen oder beschädigten Sägeblätter.** Stumpfe oder falsch eingesetzte Sägeblätter führen zu einer sehr engen Sägefuge, die eine hohe Reibung, ein Verkanten des Sägeblatts und einen Rückschlag zur Folge haben kann.
14. **Stellen Sie vor Arbeitsbeginn sicher, dass die Feststellhebel für die Blatttiefe und die Gehrungseinstellung fest angezogen sind.** Wenn sich die Einstellung des Sägeblatts beim Sägen verschiebt, kann dies zum Verkanten oder zu einem Rückschlag des Sägeblatts führen.
15. **Seien Sie besonders vorsichtig, wenn Sie einen Schnitt in Wände oder andere nicht einsehbare Bereiche ausführen.** Das vordringende Sägeblatt schneidet möglicherweise in Gegenstände, die einen Rückschlag verursachen können.
16. **Halten Sie das Werkzeug STETS mit beiden Händen gut fest. Halten Sie NIEMALS Ihre Hand oder Ihre Finger hinter der Säge.** Im Fall eines Rückschlags kann die Säge unter Umständen über Ihre Hand zurückspringen und schwere Verletzungen verursachen. **(Abb. 4)**
17. **Wenden Sie beim Sägen niemals Gewalt an. Schieben Sie die Säge mit einer Geschwindigkeit vor, die es ermöglicht, dass das Sägeblatt mit konstanter Geschwindigkeit sägt.** Ein zu starkes Drücken der Säge kann zu unebenen Schnitten, zu Ungenauigkeiten und möglicherweise zu Rückschlägen führen.

Funktion der beweglichen Schutzhaube

18. **Prüfen Sie vor jeder Inbetriebnahme, ob die bewegliche Schutzhaube korrekt schließt. Verwenden Sie die Säge niemals, wenn sich die Schutzhaube nicht ungehindert bewegt und nicht unverzüglich schließt. Die bewegliche Schutzhaube darf niemals in der geöffneten Stellung festgeklemmt oder festgebunden werden.** Wenn Sie die Säge versehentlich fallen lassen, kann sich die bewegliche Schutzhaube verbiegen. Ziehen Sie zum Öffnen der beweglichen Schutzhaube den Hebel nach hinten und stellen Sie sicher, dass die Haube frei beweglich ist und bei allen Schnittwinkeln und Schnitttiefen weder das Sägeblatt noch irgendein anderes Teil berührt.
19. **Überprüfen Sie die Funktion der Feder für die bewegliche Schutzhaube. Wenn Schutzhaube und/oder Feder nicht ordnungsgemäß funktionieren, müssen diese vor der Inbetriebnahme repariert werden.** Die bewegliche Schutzhaube kann aufgrund von beschädigten Teilen, klebrigen Rückständen oder

Ablagerungen unter Umständen in ihrer Funktionsweise beeinträchtigt sein.

20. **Die bewegliche Schutzhaube darf nur für spezielle Schnitte wie z. B. „Tauschnitt“ und „Kombinationsschnitt“ von Hand zurückgeschoben werden. Ziehen Sie zum Öffnen der beweglichen Schutzhaube den Hebel nach hinten und lassen Sie den Hebel los, sobald das Sägeblatt in das Material eindringt.** Für alle anderen Sägearbeiten muss die bewegliche Schutzhaube automatisch betätigt werden.
21. **Achten Sie stets darauf, dass die bewegliche Schutzhaube das Sägeblatt abdeckt, bevor Sie die Säge auf die Werkbank oder den Boden legen.** Ein ungeschütztes, noch nachlaufendes Sägeblatt führt dazu, dass die Säge nach hinten läuft und dabei alles zersägt, was ihr im Weg steht. Beachten Sie, dass das Sägeblatt nach dem Loslassen des Schalters einige Zeit nachläuft, bevor es zum Stillstand kommt.
22. **Für die Funktionsprüfung der beweglichen Schutzhaube öffnen Sie diese von Hand, lassen Sie sie los und beobachten Sie das Schließverhalten. Stellen Sie auch sicher, dass der zurückschiebbare Griff des Werkzeuggehäuse nicht berührt.** Ein frei liegendes Sägeblatt ist SEHR GEFÄHRLICH und kann zu schweren Verletzungen führen.

Zusätzliche Sicherheitshinweise

23. **Gehen Sie beim Sägen von feuchtem Holz, unter Spannung stehendem Bruchholz oder Holz, das Astknoten enthält, besonders vorsichtig vor.** Stellen Sie die Schnittgeschwindigkeit so ein, dass ein gleichbleibender Vorschub des Werkzeugs ohne eine Verringerung der Blattdrehzahl möglich ist.
24. **Versuchen Sie niemals, abgesägtes Material zu entfernen, während das Sägeblatt läuft. Warten Sie bis zum Stillstand des Sägeblatts, bevor Sie abgesägtes Material entfernen.** Die Sägeblätter laufen nach dem Ausschalten nach.
25. **Vermeiden Sie es, in Nägel zu schneiden. Untersuchen Sie das Werkstück auf Nägel und entfernen Sie diese ggf. vor Beginn der Arbeiten.**
26. **Setzen Sie die Säge mit der großen Auflagefläche des Gleitschuhs auf den Teil des Werkstücks, der fest abgestützt wird, und nicht auf das abzuschneidende Material. Als Beispiele zeigen Abb. 5 die RICHTIGE und Abb. 6 die FALSCHHE Methode für das Absägen des Brettendes. Spannen Sie kurze und kleine Werkstücke ein. VERSUCHEN SIE NIEMALS, KURZE WERKSTÜCKE MIT DER HAND ZU HALTEN!** (Abb. 5 und 6)
27. **Warten Sie nach dem Bearbeitungsvorgang, bis das Sägeblatt zum Stillstand gekommen ist, überprüfen Sie die Schutzhaube auf geschlossene Stellung und setzen Sie das Werkzeug erst danach ab.**
28. **Versuchen Sie niemals, die Handkreissäge nach unten gerichtet in einen Schraubstock zu spannen und so damit zu sägen. Dies ist äußerst gefährlich und kann zu schweren Unfällen führen. (Abb. 7)**
29. **Einige Materialien enthalten Chemikalien, die möglicherweise giftig sind. Vermeiden Sie das Einatmen von Staub und den Hautkontakt mit**

diesen Materialien. Beachten Sie die Sicherheitshinweise und Sicherheitsdatenblätter der Materialhersteller.

30. **Bremsen Sie die Sägeblätter nicht durch seitlichen Druck auf das Sägeblatt ab.**
31. **Verwenden Sie keine Schleifscheiben.**
32. **Verwenden Sie ausschließlich Sägeblätter mit dem Durchmesser, der auf dem Werkzeug oder in der Bedienungsanleitung angegeben ist.** Die Verwendung eines Blattes falscher Größe kann dazu führen, dass das Blatt nicht ordnungsgemäß geschützt oder die Funktion der Schutzhaube beeinträchtigt wird, was schwere Verletzungen zur Folge haben kann.
33. **Verwenden Sie nur scharfe und saubere Sägeblätter.** Angetrocknete Harz- und Holzreste auf dem Sägeblatt vermindern die Drehzahl der Säge und erhöhen die Gefahr von Rückschlägen. Halten Sie das Sägeblatt sauber, indem Sie es aus dem Werkzeug ausbauen und mit einem Harz- und Teerentferner, heißem Wasser oder Waschbenzin reinigen. Verwenden Sie niemals Benzin.
34. **Tragen Sie bei der Arbeit eine Staubmaske und Gehörschutz.**

BEWAHREN SIE DIESE ANLEITUNG SORGFÄLTIG AUF.

⚠️ WARNUNG:

Lassen Sie sich NIE durch Bequemlichkeit oder (aus fortwährendem Gebrauch gewonnener) Vertrautheit mit dem Werkzeug dazu verleiten, die Sicherheitsregeln für das Werkzeug zu missachten. Bei MISSBRÄUHLICHER Verwendung des Werkzeugs oder bei Missachtung der in diesem Handbuch enthaltenen Sicherheitshinweise kann es zu schweren Verletzungen kommen.

WICHTIGE SICHERHEITSREGELN

ENC007-8

FÜR AKKUBLOCK

1. **Lesen Sie vor der Verwendung des Akkublocks alle Anweisungen und Sicherheitshinweise für das Akkuladegerät (1), den Akku (2) und das Produkt (3), für das der Akku verwendet wird, sorgfältig durch.**
2. **Der Akkublock darf nicht zerlegt werden.**
3. **Falls die Betriebsdauer erheblich kürzer wird, beenden Sie den Betrieb umgehend. Andernfalls besteht die Gefahr einer Überhitzung sowie das Risiko möglicher Verbrennungen und sogar einer Explosion.**
4. **Wenn Elektrolyt in Ihre Augen gerät, waschen Sie diese mit klarem Wasser aus und suchen Sie sofort einen Arzt auf. Andernfalls können Sie Ihre Sehfähigkeit verlieren.**
5. **Vermeiden Sie einen Kurzschluss des Akkublocks:**
 - (1) **Die Kontakte dürfen nicht mit leitendem Material in Berührung kommen.**
 - (2) **Der Akkublock darf nicht in einem Behälter aufbewahrt werden, in dem sich andere**

metallische Gegenstände wie beispielsweise Nägel, Münzen usw. befinden.

- (3) **Der Akkublock darf weder Feuchtigkeit noch Regen ausgesetzt werden.**

Ein Kurzschluss des Akkus kann zu hohem Kriechstrom, Überhitzung, möglichen Verbrennungen und sogar zu einer Zerstörung des Werkzeugs führen.

6. **Werkzeug und Akkublock dürfen nicht an Orten aufbewahrt werden, an denen Temperaturen von 50°C oder darüber erreicht werden können.**
7. **Beschädigte oder verbrauchte Akkus dürfen nicht verbrannt werden. Der Akkublock kann in den Flammen explodieren.**
8. **Lassen Sie den Akku nicht fallen und vermeiden Sie Schläge gegen den Akku.**
9. **Verwenden Sie niemals einen beschädigten Akku.**
10. **Befolgen Sie die in Ihrem Land geltenden Bestimmungen bzgl. der Entsorgung von Akkus.**

BEWAHREN SIE DIESE ANLEITUNG SORGFÄLTIG AUF.

Tipps für eine maximale Nutzungsdauer von Akkus

1. **Laden Sie den Akkublock auf, bevor der Akku vollständig entladen ist. Sobald Sie eine verringerte Leistung des Werkzeugs bemerken, beenden Sie stets den Betrieb des Werkzeugs und laden Sie den Akkublock auf.**
2. **Ein voll aufgeladener Akkublock darf niemals erneut geladen werden. Durch Überladungen wird die Lebensdauer des Akkus verkürzt.**
3. **Laden Sie den Akkublock bei einer Zimmertemperatur von 10°C bis 40°C auf. Lassen Sie einen heißen Akkublock vor dem Aufladen abkühlen.**
4. **Laden Sie den Akkublock alle sechs Monate auf, wenn Sie diesen für längere Zeit nicht verwenden.**

FUNKTIONSBESCHREIBUNG

⚠️ ACHTUNG:

- Schalten Sie das Werkzeug stets aus und nehmen Sie den Akkublock vom Werkzeug ab, bevor Sie Einstellungen oder Funktionsprüfungen am Werkzeug vornehmen.

Einsetzen und Abnehmen des Akkublocks (Abb. 8)

⚠️ ACHTUNG:

- Schalten Sie das Werkzeug stets aus, bevor Sie den Akkublock einsetzen oder abnehmen.
- **Halten Sie das Werkzeug und den Akkublock gut fest, wenn Sie den Akkublock einsetzen oder abnehmen.** Andernfalls könnte Ihnen das Werkzeug oder der Akkublock aus den Händen fallen, sodass das Werkzeug oder der Akkublock beschädigt werden oder diese Verletzungen verursachen.

Zum Abnehmen des Akkublocks müssen Sie die Taste auf der Vorderseite des Akkublocks schieben und gleichzeitig den Akkublock aus dem Gerät herausziehen. Zum Einsetzen des Akkublocks müssen Sie die Zunge des Akkublocks an der Rille im Gehäuse ausrichten und in die gewünschte Position schieben. Setzen Sie den Akkublock ganz ein, bis er mit einem leisen Klick einrastet. Wenn Sie den roten Bereich oben auf der Taste sehen können, ist der Akkublock nicht ganz eingerastet.

⚠️ ACHTUNG:

- Setzen Sie den Akkublock unbedingt ganz ein, bis der rote Bereich nicht mehr zu sehen ist. Andernfalls kann der Akkublock versehentlich aus dem Werkzeug fallen und Sie oder umstehende Personen verletzen.
- Wenden Sie beim Einsetzen des Akkublocks keine Gewalt an. Wenn der Akkublock nicht leicht hineingleitet, haben Sie ihn nicht richtig angesetzt.

HINWEIS:

- Wenn sich der Akkublock nicht leicht abnehmen lässt, drücken Sie von der anderen Seite dagegen und schieben Sie ihn heraus.

Einschalten

⚠️ ACHTUNG:

- Achten Sie vor dem Einsetzen des Akkublocks in das Werkzeug darauf, dass sich der Ein/Aus-Schalter korrekt bedienen lässt und beim Loslassen in die Position „OFF“ (AUS) zurückkehrt.
- Betätigen Sie den Ein/Aus-Schalter niemals mit Gewalt, ohne dabei den Entriegelungshebel zu drücken. Dadurch kann der Schalter beschädigt werden. (Abb. 9)

Um die versehentliche Betätigung des Ein/Aus-Schalters zu verhindern, ist das Werkzeug mit einer Einschaltperre in Form eines Entriegelungshebels ausgestattet. Um das Werkzeug zu starten, drücken Sie zuerst den Entriegelungshebel, und betätigen Sie dann den Ein/Aus-Schalter. Lassen Sie zum Ausschalten des Werkzeugs den Ein/Aus-Schalter los.

⚠️ WARNUNG:

- Zu Ihrer Sicherheit ist das vorliegende Werkzeug mit einem Entriegelungshebel ausgestattet, der verhindert, dass das Werkzeug versehentlich gestartet wird. Verwenden Sie das Werkzeug NIEMALS, wenn es durch einfaches Betätigen des Ein/Aus-Schalters startet, ohne dass Sie dabei den Entriegelungshebel drücken. Geben Sie VOR dem weiteren Gebrauch das Werkzeug an ein MAKITA-Servicecenter, um es dort ordnungsgemäß reparieren zu lassen.
- Kleben Sie NIEMALS den Entriegelungshebel zu oder verändern Sie diesen, sodass er seinen Zweck und seine Funktion nicht mehr erfüllt.

Anzeige der verbleibenden Akkuladung (Abb. 10)

Wenn Sie das Werkzeug einschalten, zeigt die Akkuanzeige die verbleibende Akkuladung an. Die verbleibende Akkuladung wird gemäß der folgenden Tabelle angezeigt.

| Status der Akkuanzeige | | | Verbleibende Akkuladung |
|------------------------|-------|----------|----------------------------|
| : Ein | : Aus | : Blinkt | |
| | | | 50 % - 100 % |
| | | | 20 % - 50 % |
| | | | 0 % - 20 % |
| | | | Akkublock aufladen |

015146

Automatische Drehzahlumschaltung (Abb. 11)

| Status der Modusanzeige | Betriebsmodus |
|-------------------------|-----------------|
| | Drehzahlmodus |
| | Drehmomentmodus |

015137

Dieses Werkzeug verfügt über einen „Drehzahlmodus“ und einen „Drehmomentmodus“. Der Betriebsmodus wird je nach Arbeitslast automatisch umgeschaltet. Wenn die Modusanzeige während des Betriebs aufleuchtet, arbeitet das Werkzeug im Drehmomentmodus.

Werkzeug-/Akku-Schutzsystem

Das Werkzeug ist mit einem Werkzeug-/Akku-Schutzsystem ausgestattet. Dieses System schaltet die Stromversorgung des Motors automatisch aus, um die Lebensdauer des Werkzeugs und des Akkus zu verlängern.

Unter folgenden Bedingungen des Werkzeugs und/oder des Akkus kann das Werkzeug während des Betriebs automatisch stoppen. Unter einigen dieser Bedingungen leuchtet die Anzeige auf.

Überlastungsschutz

Wird das Werkzeug auf eine Weise betrieben, die zu einer abnormal hohen Stromaufnahme führt, stoppt das Werkzeug automatisch ohne jede Anzeige. Schalten Sie in dieser Situation das Werkzeug aus und beenden Sie die Arbeiten, die zu der Überlastung des Werkzeugs geführt haben. Schalten Sie dann das Werkzeug zum erneuten Starten wieder ein.

Überhitzungsschutz für das Werkzeug

Ist das Werkzeug überhitzt, stoppt das Werkzeug automatisch und die Akkuanzeige zeigt folgenden Status an. Lassen Sie in dieser Situation das Werkzeug erst abkühlen, bevor Sie es wieder einschalten.

| Akkuanzeige | : Ein | : Aus | : Blinkt |
|-------------|-------|-------|------------------------|
| | | | Werkzeug ist überhitzt |

015145

Freigabe der Schutzsperre

Wenn das Schutzsystem wiederholt anspricht, wird das Werkzeug gesperrt und die Akkuanzeige zeigt folgenden Zustand an.

| Akkuanzeige | : Ein | : Aus | : Blinkt |
|-------------|-------|-------|------------------------|
| | | | Schutzsperre aktiviert |

015201

In diesem Zustand lässt sich das Werkzeug nicht in Betrieb nehmen, selbst wenn es aus- und wieder eingeschaltet wird. Um die Schutzsperre freizugeben, entfernen Sie den Akku, setzen Sie ihn in das Akku-Ladegerät ein und warten Sie, bis der Ladevorgang beendet ist.

Einstellen der Schnittiefe

⚠ ACHTUNG:

- Ziehen Sie den Hebel nach der Einstellung der Schnittiefe stets fest an.

Lösen Sie den Hebel an der Seite des hinteren Griffs und verstellen Sie den Gleitschuh nach oben oder unten. Arretieren Sie den Gleitschuh an der gewünschten Schnittiefe durch Festziehen des Hebels. **(Abb. 12)** Für einen sauberen, sicheren Schnitt stellen Sie die Schnittiefe so ein, dass nur maximal ein Sägeblattzahn unter dem Werkstück herausragt. Die Verwendung der richtigen Schnittiefe minimiert die Gefahr von RÜCKSCHLÄGEN, die zu Personenschäden führen können.

Gehrungsschnitt

Lösen Sie den vorderen Hebel. Neigen Sie das Werkzeug auf den gewünschten Winkel (0° bis 50°) und ziehen Sie anschließend den vorderen Hebel fest an. **(Abb. 13)** Verwenden Sie für genaue 45°-Gehrungsschnitte den 45°-Anschlag. Drehen Sie den Anschlag für Gehrungsschnitte von 0° bis 45° entgegen dem Uhrzeigersinn und für Gehrungsschnitte von 0° bis 50° im Uhrzeigersinn. **(Abb. 14)**

Schnittausrichtung (Abb. 15)

Für Geradschnitte richten Sie die Position 0° an der Vorderseite des Gleitschuhs auf Ihre Schnittlinie aus. Für 45°-Gehrungsschnitte richten Sie die Position 45° an der Vorderseite des Gleitschuhs auf Ihre Schnittlinie aus. Die Position der oberen Führung ist einstellbar.

Einschalten der Lampe

⚠ ACHTUNG:

- Schauen Sie nicht direkt in die Lampe oder in die Lichtquelle. **(Abb. 16)**

Wenn Sie nur die Lampe einschalten möchten, betätigen Sie den Ein/Aus-Schalter ohne den Entriegelungshebel zu drücken. Wenn Sie hingegen die Lampe einschalten und das Werkzeug in Betrieb nehmen möchten, drücken Sie den Entriegelungshebel, und betätigen Sie bei gedrücktem Entriegelungshebel den Ein/Aus-Schalter. Solange Sie den Ein/Aus-Schalter gedrückt halten, leuchtet die Lampe. Nach dem Loslassen des Ein/Aus-Schalters erlischt die Lampe nach 10 bis 15 Sekunden.

HINWEIS:

- Wischen Sie Schmutz auf der Lampenlinse mit einem trockenen Tuch ab. Achten Sie darauf, dass die Linse der Lampe nicht zerkratzt wird, da dies die Leuchtstärke mindern kann.
- Verwenden Sie zur Reinigung der Linse kein Benzin, keinen Verdünner oder Ähnliches. Die Verwendung solcher Flüssigkeiten beschädigt die Linse.

Haken

⚠ ACHTUNG:

- Ziehen Sie stets den Akkublock vom Werkzeug ab, wenn Sie das Werkzeug am Haken aufhängen.
 - Haken Sie das Werkzeug niemals an erhöhten Orten oder möglicherweise instabilen Oberflächen ein.
- Der Haken ist nützlich, wenn Sie das Werkzeug kurzzeitig aufhängen möchten. Zur Verwendung des Hakens drehen Sie ihn einfach, bis er in der geöffneten Position einrastet.

Wenn Sie den Haken nicht benötigen, drehen Sie ihn stets, bis er in der geschlossenen Position einrastet. (Abb. 17)

MONTAGE

⚠ ACHTUNG:

- Schalten Sie das Werkzeug stets aus und entfernen Sie den Akkublock, bevor Sie Arbeiten am Werkzeug ausführen.

Montieren und Demontieren des Sägeblatts

⚠ ACHTUNG:

- Montieren Sie das Sägeblatt so, dass die Zähne an der Vorderseite des Werkzeugs nach oben zeigen.
- Verwenden Sie nur Schraubenschlüssel von Makita zum Montieren oder Demontieren des Sägeblatts.

Zur Demontage des Sägeblatts drücken Sie die Spindelarretierung, um ein Drehen des Sägeblatts zu verhindern, und lösen Sie die Sechskantschraube durch Drehen des Innensechskantschlüssels im Uhrzeigersinn. Entfernen Sie dann Sechskantschraube, Außenflansch und Sägeblatt. (Abb. 18 und 19)

Zur Montage des Sägeblatts befolgen Sie die Entnahmeprozedur in umgekehrter Reihenfolge. ZIEHEN SIE DIE SECHSKANTSCHRAUBE GEGEN DEN UHRZEIGERSINN FEST AN.

Vergessen Sie beim Austausch des Sägeblatts nicht, das angefallene Sägemehl vom oberen und unteren Blattschutz zu entfernen, wie im Abschnitt „Wartung“ beschrieben. Dies ersetzt nicht die Überprüfung der Funktion der beweglichen Schutzhaube vor jeder Verwendung.

Für Werkzeuge mit dem Innenflansch für ein Sägeblatt mit einem anderen Lochdurchmesser als 15,88 mm

⚠ ACHTUNG:

- **Stellen Sie sicher, dass der auf der Außenseite befindliche Vorsprung „a“ auf dem Innenflansch genau in die Sägeblatt-Öffnung „a“ passt.** Das Anbringen des Blattes auf der falschen Seite kann zu gefährlichen Vibrationen führen.

Der Innenflansch hat einen speziellen Durchmesser Vorsprung auf einer Seite und einen anderen Durchmesser Vorsprung auf der anderen Seite. Wählen Sie die richtige Seite, bei der der Vorsprung perfekt in das Sägeblattloch passt.

Befestigen Sie nun den Innenflansch auf den Montageschraube, so dass die richtige Seite mit dem Vorsprung am Innenflansch nach außen zeigt; setzen Sie anschließend Sägeblatt und Außenflansch ein. (Abb. 20) ZIEHEN SIE DIE SECHSKANTSCHRAUBE GEGEN DEN UHRZEIGERSINN FEST AN.

Für Werkzeuge mit Innenflansch für ein Sägeblatt mit einem Lochdurchmesser von 15,88 mm (länderspezifisch) (Abb. 21 und 22)

Befestigen Sie den Innenflansch mit dem abgestuften Bereich nach außen auf den Montageschraube (mit dem befestigten Ring - falls erforderlich); setzen Sie anschließend Sägeblatt, Außenflansch und Sechskantschraube ein.

ZIEHEN SIE DIE SECHSKANTSCHRAUBE GEGEN DEN UHRZEIGERSINN FEST AN.

⚠ WARNUNG:

- **Bevor Sie das Sägeblatt auf der Welle anbringen, sollten Sie immer sicherstellen, dass der richtige Ring für das Wellenloch des Sägeblatts, das Sie verwenden möchten, zwischen dem Innen- und dem Außenflansch angebracht ist.** Die Verwendung eines Wellenlochrings falscher Größe führt zu einer fehlerhaften Montage des Sägeblatts und kann so eine Verschiebung des Sägeblatts und heftige Schwingungen verursachen, die zu einem möglichen Kontrollverlust während des Betriebs und schweren Verletzungen führen.

Aufbewahren des Innensechskantschlüssels (Abb. 23)

Wenn Sie den Innensechskantschlüssel nicht verwenden, bewahren Sie ihn wie in der Abbildung dargestellt auf, damit er nicht verloren geht.

Anschließen eines Absauggeräts (nur für Länder in Europa) (Abb. 24 und 25)

Für größere Sauberkeit bei der Arbeit schließen Sie ein Makita-Absauggerät an Ihr Werkzeug an.

Montieren Sie den Absaugstutzen mit der Schraube an am Werkzeug. Schließen Sie dann den Schlauch des Absauggeräts, wie in der Abbildung dargestellt, an den Absaugstutzen an.

BETRIEB

ACHTUNG:

- Schieben Sie das Werkzeug beim Schneiden stets behutsam in einer geraden Linie vor. Übermäßige Druckausübung oder Verdrehen des Werkzeugs bewirken eine Überhitzung des Motors und gefährliche Rückschläge, die möglicherweise zu schweren Verletzungen führen können.
- Verwenden Sie immer einen vorderen Griff und einen hinteren Griff und halten Sie das Werkzeug während des Betriebs sowohl am vorderen als auch am hinteren Griff fest. **(Abb. 26)**

Halten Sie das Werkzeug mit festem Griff. Das Werkzeug verfügt sowohl über einen vorderen als auch über einen hinteren Griff. Verwenden Sie beide Griffe, um so das Werkzeug bestmöglich zu umfassen. Wenn Sie die Säge mit beiden Händen festhalten, vermeiden Sie Verletzungen durch das Sägeblatt. Setzen Sie den Gleitschuh auf das zu schneidende Werkstück auf, ohne dass das Sägeblatt mit dem Werkstück in Berührung kommt. Schalten Sie anschließend das Werkzeug ein und warten Sie, bis das Sägeblatt die volle Drehzahl erreicht hat. Schieben Sie nun das Werkzeug flach und gleichmäßig über die Oberfläche des Werkstücks vor, bis der Schnitt beendet ist.

Für saubere Schnitte halten Sie eine gerade Schnittlinie und eine gleichmäßige Vorschubgeschwindigkeit ein. Wenn der Schnitt nicht genau der beabsichtigten Schnittlinie folgt, versuchen Sie nicht, das Werkzeug zurück zur Schnittlinie zu drehen oder mit Gewalt zu schieben. Dies kann zum Einklemmen des Sägeblatts führen und somit zu einem gefährlichen Rückschlag und möglicherweise zu schweren Verletzungen. Lassen Sie den Schalter los, warten Sie auf den Stillstand des Sägeblatts und ziehen Sie dann das Werkzeug zurück. Setzen Sie das Werkzeug an der neuen Schnittlinie an und starten Sie den Sägevorgang erneut. Versuchen Sie dabei, Positionen zu vermeiden, in denen der Bediener den Sägespänen und dem Sägestaub ausgesetzt ist. Tragen Sie eine Schutzbrille, um Verletzungen zu vermeiden.

Parallelanschlag (Führungslinieal) (Sonderzubehör) (Abb. 27)

Der praktische Parallelanschlag ermöglicht die Ausführung besonders genauer Geradschnitte. Schieben Sie den Parallelanschlag einfach satt anliegend gegen die Werkstückkante, und sichern Sie ihn mit der Feststellschraube an der Vorderseite des Gleitschuhs. Wiederholte Schnitte auf gleiche Breite sind ebenfalls möglich.

WARTUNG

ACHTUNG:

- Schalten Sie das Werkzeug stets aus und entfernen Sie den Akkublock, bevor Sie Arbeiten am Werkzeug ausführen.
- **Reinigen Sie die oberen und unteren Schutzhauben, um sicherzustellen, dass sich kein Sägemehl ansammelt, das die Funktion der unteren Schutzeinrichtung beeinträchtigen könnte.** Eine verschmutzte Schutzeinrichtung kann in ihrer

ordnungsgemäßen Funktion eingeschränkt sein, was zu schweren Verletzungen führen kann. Druckluft hat sich als effektivste Methode zur Reinigung erwiesen. **Wenn das Sägemehl aus den Schutzhauben geblasen wird, ist sicherzustellen, dass entsprechender Augen- und Atemschutz getragen wird.**

- Verwenden Sie zum Reinigen niemals Kraftstoffe, Benzin, Verdünner, Alkohol oder Ähnliches. Dies kann zu Verfärbungen, Verformungen oder Rissen führen.

Einstellen der 0°- und 45°- Schnittgenauigkeit (Vertikal- und 45°- Schnitt) (Abb. 28 und 29)

Diese Einstellung wurde werkseitig vorgenommen. Sollte sie verstellt sein, müssen Sie die Einstellschrauben mit einem Innensechskantschlüssel nachjustieren, während das Sägeblatt mit Hilfe eines Einstelldreiecks, Anschlagwinkels etc. in den Winkel von 0° oder 45° gebracht wird. Verwenden Sie den 45°-Anschlag, um den Winkel von 45° einzustellen.

Einstellen der Gehrungsführung (Abb. 30)

Die Gehrungsführung wurde werkseitig eingestellt. Sollte sie jedoch verstellt sein, kann sie mit nachfolgend beschriebenem Verfahren eingestellt werden.

Lösen Sie zum Einstellen der Gehrungsführung zunächst die beiden Schrauben. Achten Sie darauf, dass der Gleitschuh auf einen Winkel von 0° eingestellt ist, und richten Sie die 0°-Linie der Gehrungsführung an der Führung am Gleitschuh aus.

Zur Gewährleistung von SICHERHEIT und ZUVERLÄSSIGKEIT des Produkts sollten Reparaturen, Wartungsarbeiten und Einstellungen nur durch von Makita autorisierte Servicecenter durchgeführt und ausschließlich Makita-Ersatzteile verwendet werden.

SONDERZUBEHÖR

ACHTUNG:

- Für das in diesem Handbuch beschriebene Makita-Gerät werden die folgenden Zubehör- und Zusatzteile empfohlen. Bei Verwendung anderer Zubehör- und Zusatzteile kann es zu Verletzungen kommen. Verwenden Sie Zubehör- und Zusatzteile nur für den vorgesehenen Zweck.

Informationen zu diesem Zubehör erhalten Sie von Ihrem Makita-Servicecenter.

- Sägeblätter
- Parallelanschlag (Führungslinieal)
- Führungsschiene
- Führungsschienenadapter
- Messleiste
- Absaugstutzen
- Innensechskantschlüssel
- Original-Akku und Original-Ladegerät von Makita

HINWEIS:

- Einige der in der Liste aufgeführten Elemente sind dem Werkzeugpaket als Standardzubehör beigelegt. Diese können in den einzelnen Ländern voneinander abweichen.

Schallpegel

ENG905-1

Typischer A-bewerteter Schallpegel nach EN60745:

Schalldruckpegel (L_{pA}): 83 dB (A)

Schallleistungspegel (L_{WA}): 94 dB (A)

Abweichung (K): 3 dB (A)

Tragen Sie Gehörschutz.

Schwingung

ENG900-1

Schwingungs Gesamtwerte (Vektorsumme dreier Achsen) nach EN60745:

Betriebsmodus: Sägen von Holz

Vibrationsemission ($a_{h,W}$): 2,5 m/s² oder weniger

Abweichung (K): 1,5 m/s²

ENG901-1

- Der hier angegebene Wert für die erzeugten Schwingungen wurde gemäß dem genormten Testverfahren ermittelt und kann als Vergleich zu anderen Werkzeugen herangezogen werden.
- Der angegebene Wert für die erzeugten Schwingungen ist außerdem für eine vorbeugende Bewertung der Belastung zu verwenden.

WARNUNG:

- Die Schwingungsbelastung kann bei tatsächlichem Gebrauch des Elektrowerkzeugs in Abhängigkeit von der Handhabung des Elektrowerkzeugs von dem hier aufgeführten Wert abweichen.
- Stellen Sie sicher, dass Schutzmaßnahmen für den Bediener getroffen werden, die auf den unter den tatsächlichen Arbeitsbedingungen zu erwartenden Belastungen beruhen (beziehen Sie alle Bestandteile des Arbeitsablaufs ein, also zusätzlich zu den Arbeitszeiten auch Zeiten, in denen das Werkzeug ausgeschaltet ist oder ohne Last läuft).

Nur für europäische Länder

ENH101-18

EG-Konformitätserklärung

Makita erklärt, dass die nachfolgende(n) Maschine(n):

Bezeichnung der Maschine(n):

Akku-Handkreissäge

Nummer/Typ des Modells: DHS680

den folgenden Richtlinien der Europäischen Union

genügt/genügen:

2006/42/EG

Sie werden gemäß den folgenden Standards oder Normen gefertigt:

EN60745

Die technischen Unterlagen gemäß 2006/42/EG sind erhältlich von:

Makita, Jan-Baptist Vinkstraat 2, 3070, Belgien

18. 3. 2014



Yasushi Fukaya
Direktor

Makita, Jan-Baptist Vinkstraat 2, 3070, Belgien

ITALIANO (Istruzioni originali)

Spiegazione della vista generale

- | | | |
|-------------------------------------|------------------------|---|
| 1. Pulsante | 14. Vite | 27. Albero di montaggio |
| 2. Indicatore rosso | 15. Lampada | 28. Anello |
| 3. Batteria | 16. Gancio | 29. Ugello antipolvere |
| 4. Interruttore di accensione | 17. Chiudere | 30. Aspiratore |
| 5. Sicura di accensione | 18. Aprire | 31. Tubo |
| 6. Indicatore della batteria | 19. Chiave esagonale | 32. Vite di serraggio |
| 7. Indicatore della modalità | 20. Blocco dell'albero | 33. Guida di taglio (regolo guida) |
| 8. Leva | 21. Serrare | 34. Vite di regolazione per il taglio a 45° |
| 9. Guida di profondità | 22. Allentare | 35. Vite di regolazione per il taglio a 0° |
| 10. Leva anteriore | 23. Flangia interna | 36. Squadra triangolare |
| 11. Fermo | 24. Lama della sega | 37. Guida obliqua |
| 12. Linea di taglio (posizione 0°) | 25. Flangia esterna | 38. Guida |
| 13. Linea di taglio (posizione 45°) | 26. Bullone esagonale | |

CARATTERISTICHE TECNICHE

| | | |
|------------------------------|-------|-------------------------|
| Modello | | DHS680 |
| Diametro lama | | 165 mm |
| Profondità massima di taglio | a 0° | 57 mm |
| | a 45° | 41 mm |
| | a 50° | 37 mm |
| Velocità a vuoto | | 5.000 min ⁻¹ |
| Lunghezza complessiva | | 350 mm |
| Peso netto | | 3,3 kg |
| Tensione nominale | | 18 V CC |

- Le caratteristiche tecniche riportate di seguito sono soggette a modifiche senza preavviso in virtù del nostro programma continuo di ricerca e sviluppo.
- Le caratteristiche tecniche e le batterie possono differire da paese a paese.
- Peso, comprensivo di batterie, calcolato in base alla Procedura EPTA 01/2003

Uso previsto

ENE078-2

L'utensile è progettato per l'esecuzione di tagli nel legno, sia dritti, in senso longitudinale e trasversale, sia obliqui, mantenendo un saldo contatto con il pezzo in lavorazione. Con le lame della sega originali Makita appropriate, si possono segare anche altri materiali.

Avvertenze generali di sicurezza per l'uso dell'utensile

GEA010-1

⚠ AVVERTENZA Leggere attentamente tutte le avvertenze di sicurezza e le istruzioni. La mancata osservanza delle istruzioni e delle avvertenze riportate di seguito potrebbe provocare scosse elettriche, incendi e/o lesioni gravi.

Conservare le avvertenze e le istruzioni per riferimenti futuri.

AVVERTENZE DI SICUREZZA PER LA SEGA CIRCOLARE A BATTERIA

GEB060-8

Procedure di taglio

- ⚠ PERICOLO:** Tenere le mani lontane dall'area di taglio e dalla lama. Posare la mano che non

impugna l'utensile sull'impugnatura ausiliaria o sulla carcassa del motore.

Se entrambe le mani vengono utilizzate per tenere la sega, non c'è il rischio che vengano colpite dalla lama.

- Non afferrare il pezzo in lavorazione dalla parte inferiore.** Il coprilama non offre alcuna protezione dalla lama al di sotto del pezzo in lavorazione.
- Regolare la profondità di taglio in base allo spessore del pezzo in lavorazione.** La lama deve sporgere al di sotto del pezzo in lavorazione per un tratto inferiore alla lunghezza di uno dei suoi denti.
- Non tenere mai il pezzo da tagliare tra le mani o sulle gambe. Fissare il pezzo in lavorazione a una superficie stabile.** È importante supportare correttamente il pezzo in lavorazione per ridurre al minimo l'eventualità di contatto con il corpo, di blocco della lama o di perdita di controllo dell'utensile. (Fig. 1)
La figura illustra il corretto metodo di posizionamento delle mani e del supporto del pezzo in lavorazione
- Se vengono eseguite operazioni in cui l'utensile di taglio può toccare fili nascosti, impugnare l'utensile solo dai punti di presa isolati.** In caso di contatto con un filo percorso da corrente, le parti metalliche esposte dell'utensile si troveranno anch'esse sotto tensione e potrebbero provocare scosse elettriche all'operatore.

6. **Quando si eseguono tagli longitudinali, utilizzare sempre una guida di taglio.** In tal modo il taglio risulterà più accurato e il rischio di blocco della lama sarà ridotto.
7. **Utilizzare sempre lame con dimensioni e sagoma (romboidale o rotonda) dei fori dell'albero appropriate.** Le lame che non corrispondono alla sagoma o al supporto di montaggio della sega determinano una rotazione eccentrica e provocano la perdita di controllo dell'utensile.
8. **Non utilizzare rondelle o bulloni danneggiati o inappropriati per la lama.** Le rondelle e il bullone della lama sono progettati appositamente per la sega e garantiscono prestazioni migliori e maggiore sicurezza.

Cause dei contraccolpi e avvertenze correlate

- Un contraccolpo è una reazione improvvisa dovuta a frizioni, ostacoli o disallineamenti della lama di taglio, che provoca il sollevamento improvviso della sega. Se non adeguatamente controllata, quest'ultima può allontanarsi dal pezzo in lavorazione proiettandosi in direzione dell'operatore.
- Quando è ostacolata o bloccata dalla chiusura delle due estremità del taglio, la lama entra in fase di stallo e la reazione del motore fa sì che l'unità si muova rapidamente all'indietro verso l'operatore.
- Se la lama si incurva o si disallinea rispetto al taglio, i denti del bordo posteriore della lama colpiscono la superficie superiore del pezzo in lavorazione provocando la fuoriuscita della lama dal taglio e il movimento improvviso dell'utensile verso l'operatore.

I contraccolpi sono determinati dall'uso improprio della sega e/o da procedure o condizioni operative errate e possono essere evitati adottando le specifiche precauzioni illustrate di seguito.

9. **Mantenere una presa salda con entrambe le mani sulla sega e posizionare le braccia in modo da poter contrastare efficacemente i contraccolpi. Posizionare il corpo a destra o a sinistra della lama, evitando di allinearla con la lama stessa.** I contraccolpi possono provocare uno spostamento improvviso della sega all'indietro, ma possono essere controllati dall'operatore adottando precauzioni appropriate.
10. **Quando la lama è incastrata o se si desidera interrompere il taglio per qualsiasi motivo, rilasciare l'interruttore e attendere l'arresto completo della lama senza spostare la sega dal materiale. Per evitare contraccolpi, non rimuovere la sega dal pezzo in lavorazione e non tirarla all'indietro mentre la lama è in movimento.** Esaminare le condizioni operative e attuare gli interventi correttivi necessari per eliminare le cause del blocco della lama.
11. **Quando si riavvia la sega con la lama inserita nel pezzo in lavorazione, centrare accuratamente la lama nel taglio e controllare che i denti della sega non siano inseriti nel materiale.** Se la lama della sega è bloccata o incastrata, il riavvio della sega può provocare l'improvviso innalzamento o un contraccolpo dell'utensile dal pezzo in lavorazione.
12. **Per minimizzare il rischio di ostacolare la lama e per evitare contraccolpi, sostenere adeguatamente i pannelli di grandi dimensioni da**

tagliare. I pannelli di grandi dimensioni tendono a flettersi sotto il loro stesso peso. Collocare i sostegni al di sotto del pannello su entrambi i lati, sia vicino alla linea di taglio che all'estremità del pannello. (Fig. 2 e 3)

Per evitare contraccolpi, sostenere i pannelli vicino alla linea di taglio.

Non applicare i sostegni dei pannelli lontano dalla linea di taglio.

13. **Non utilizzare lame non affilate o danneggiate.** Lame non affilate o in condizioni improprie producono tagli di spessore limitato e determinano il blocco della lama, una frizione eccessiva e pericolosi contraccolpi.
14. **Prima di eseguire il taglio, accertarsi di aver serrato accuratamente le leve di regolazione della profondità e dell'angolazione di taglio della lama.** Se le leve di regolazione della lama si muovono durante il taglio, la lama potrebbe bloccarsi e potrebbero verificarsi contraccolpi.
15. **Prestare particolare attenzione durante il taglio all'interno di pareti esistenti o altre zone cieche.** Avanzando, la parte sporgente della lama può colpire oggetti non visibili e determinare un contraccolpo.
16. **Tenere SEMPRE saldamente l'utensile con entrambe le mani. NON posizionare MAI le mani o le dita dietro la sega.** In caso di contraccolpi, la sega potrebbe arretrare improvvisamente e colpire le mani, determinando gravi lesioni personali. (Fig. 4)
17. **Non forzare mai la sega. Spingere la sega in avanti a una velocità tale che la lama esegua il taglio senza subire rallentamenti.** Una spinta eccessiva sulla sega può comportare tagli non netti o imprecisi, nonché i verificarsi di contraccolpi.

Funzione del coprilama inferiore

18. **Prima di ogni utilizzo, assicurarsi che il coprilama inferiore sia posizionato correttamente. Non utilizzare la sega se il coprilama inferiore non è libero di muoversi e di chiudersi all'istante. Non bloccare mai il coprilama inferiore in posizione aperta.** In caso di caduta accidentale della sega, il coprilama inferiore potrebbe deformarsi. Sollevare il coprilama inferiore con l'apposita maniglia e accertarsi che sia libero di muoversi e che non entri in contatto con la lama o altre parti dell'utensile, eseguendo prove con diverse angolazioni e profondità di taglio.
19. **Controllare il funzionamento della molla del coprilama inferiore. Se il coprilama inferiore e la molla non funzionano correttamente, prima di utilizzare l'unità è necessario ripristinarne l'efficienza con gli opportuni interventi di manutenzione e/o riparazione.** Parti danneggiate e incrostazioni di resine, collanti o residui di lavorazione possono pregiudicare il corretto funzionamento del coprilama inferiore.
20. **Ritirare manualmente il coprilama inferiore solo se si devono eseguire tagli speciali come tagli "ad immersione" o tagli "combinati".** Sollevare il coprilama inferiore utilizzando l'apposita maniglia e rilasciarlo subito dopo che la lama è entrata nel materiale. Per tutte le altre modalità di taglio, lasciare che il coprilama inferiore svolga automaticamente le sue funzioni.
21. **Prima di collocare la sega sul banco o sul pavimento, accertarsi sempre che la lama sia**

protetta dal coprilama inferiore. Se la lama non è protetta ed è in rotazione, la sega si sposterà all'indietro tagliando tutto ciò che incontra sul suo percorso. Prestare attenzione al tempo necessario per il completo arresto della lama dopo aver rilasciato l'interruttore.

22. **Per controllare il funzionamento del coprilama, aprirlo con le mani e rilasciarlo osservando attentamente la modalità di chiusura. Verificare inoltre che la maniglia per ritrarre il coprilama non tocchi l'involucro dell'utensile.** Lasciare la lama scoperta è MOLTO PERICOLOSO e può determinare il rischio di lesioni personali gravi.

Avvertenze di sicurezza supplementari

23. **Prestare particolare attenzione quando si eseguono tagli su legno umido, trattato a pressione o con nodi.** Far avanzare l'utensile in maniera uniforme, senza ridurre la velocità della lama, onde evitare il surriscaldamento delle punte della lama.
24. **Non rimuovere il materiale residuo della lavorazione se la lama è in movimento.** Prima di rimuovere il materiale residuo della lavorazione, attendere che la lama si arresti completamente. Le lame continuano a ruotare per inerzia dopo lo spegnimento dell'utensile.
25. **Evitare di tagliare chiodi.** Prima di eseguire il taglio, esaminare attentamente il pezzo in lavorazione e rimuovere eventuali chiodi.
26. **Collocare la superficie più ampia della base della sega sulla parte del pezzo in lavorazione che poggia sui sostegni, non sulla parte destinata a cadere una volta eseguito il taglio.** A titolo di esempio, la Fig. 5 illustra il metodo di taglio CORRETTO dell'estremità di una tavola, mentre la Fig. 6 mostra quello SCORRETTO. Se il pezzo in lavorazione è di dimensioni ridotte, bloccarlo in una morsa. **NON TENERE PEZZI DI DIMENSIONI RIDOTTE CON LE MANI!** (Fig. 5 e 6)
27. **Prima di abbassare l'utensile dopo aver completato il taglio, accertarsi che il coprilama sia chiuso e che la lama si sia completamente arrestata.**
28. **Non utilizzare la sega circolare capovolgendola e bloccandola in una morsa.** Si tratta di una modalità operativa estremamente pericolosa che può provocare incidenti di grave entità. (Fig. 7)
29. **Alcuni materiali contengono prodotti chimici che possono essere tossici.** Prendere le adeguate precauzioni per evitare l'inalazione della polvere e il contatto con la pelle. Attenersi alle istruzioni per la sicurezza del fornitore dei materiali.
30. **Non arrestare la lama della sega applicando una pressione laterale sulla lama stessa.**
31. **Non utilizzare dischi abrasivi.**
32. **Utilizzare esclusivamente una lama per la sega avente il diametro indicato sull'utensile o specificato nelle istruzioni.** L'uso di una lama di dimensioni errate potrebbe influire sulla corretta protezione della lama e sul funzionamento del coprilama, causando gravi danni alla persona.
33. **Mantenere la lama affilata e pulita.** Residui o incrostazioni di collanti e resina sulle lame possono rallentare il taglio e aumentare la possibilità di

contraccolpi. Per pulire la lama, rimuoverla dall'utensile ed eliminare le incrostazioni con un solvente appropriato, acqua calda o cherosene. Non utilizzare benzina.

34. **Quando si utilizza lo strumento, indossare una protezione acustica e una maschera antipolvere.**

CONSERVARE QUESTE ISTRUZIONI.

⚠ AVVERTENZA:

NON lasciare che la familiarità acquisita con il prodotto (dovuta all'uso ripetuto) provochi l'inosservanza delle norme di sicurezza. L'USO IMPROPRIO o la mancata osservanza delle norme di sicurezza indicate in queste istruzioni per l'uso possono provocare gravi danni alla persona.

ISTRUZIONI IMPORTANTI PER LA SICUREZZA

ENC007-8

RELATIVE ALLA BATTERIA

1. **Prima di utilizzare la batteria, leggere tutte le istruzioni e gli avvisi di sicurezza relativi a (1) caricabatteria, (2) batteria e (3) prodotto utilizzato con la batteria.**
 2. **Non smontare la batteria.**
 3. **Se il tempo di funzionamento è diventato eccessivamente breve, non utilizzare l'utensile.** Potrebbero verificarsi surriscaldamenti, ustioni o esplosioni.
 4. **In caso di contatto dell'elettrolita della batteria con gli occhi, sciacquare con acqua fresca e rivolgersi immediatamente a un medico.** Potrebbero verificarsi danni permanenti alla funzionalità visiva.
 5. **Non cortocircuitare la batteria:**
 - (1) **Non toccare i terminali della batteria con materiale in grado di condurre elettricità.**
 - (2) **Evitare di conservare la batteria a contatto con oggetti metallici quali chiodi, monete e così via.**
 - (3) **Non esporre le batterie all'acqua o alla pioggia.**
- Un cortocircuito può provocare un elevato flusso di corrente, surriscaldamento, ustioni o rotture.
6. **Non conservare l'utensile e la batteria a una temperatura superiore a 50 °C.**
 7. **Evitare di smaltire le batterie danneggiate o esaurite bruciandole.** Se esposte al fuoco, le batterie possono esplodere.
 8. **Evitare di far cadere o di colpire la batteria.**
 9. **Non utilizzare batterie danneggiate.**
 10. **Attenersi alle normative della propria area geografica relative allo smaltimento delle batterie.**

CONSERVARE QUESTE ISTRUZIONI.

Suggerimenti per il prolungamento della durata della batteria

1. **Caricare le batterie prima di scaricarle completamente.**
Se si nota una diminuzione di potenza dell'utensile, interrompere il lavoro e ricaricare la batteria.
2. **Non ricaricare una batteria già completamente carica.**
In caso contrario, la durata operativa della batteria potrebbe ridursi.
3. **Caricare la batteria in ambienti con temperatura compresa tra 10 °C e 40 °C.** Prima di caricare una batteria surriscaldata, lasciarla raffreddare.
4. **Caricare la batteria una volta ogni sei mesi se l'utensile rimane inutilizzato per lungo tempo.**

DESCRIZIONE FUNZIONALE

⚠ ATTENZIONE:

- Prima di regolare o controllare le funzioni dell'utensile, verificare sempre di averlo spento e di aver rimosso la batteria.

Inserimento o rimozione della batteria (Fig. 8)

⚠ ATTENZIONE:

- Spegnere sempre l'utensile prima di inserire o rimuovere la batteria.
- **Tenere saldamente l'utensile e la batteria durante l'inserimento o la rimozione della batteria stessa.** In caso contrario potrebbero scivolare dalle mani, causando danni all'utensile e alla batteria o lesioni personali.

Per rimuovere la batteria, è sufficiente estrarla dall'utensile facendo scorrere il pulsante sulla parte anteriore della batteria.

Per inserire la batteria, allineare la linguetta sulla batteria con la scanalatura nell'alloggiamento e farla scorrere in posizione. Inserirla a fondo fino a bloccarla in posizione con uno scatto. Se è visibile l'indicatore rosso sul lato superiore del pulsante, significa che la batteria non è completamente inserita.

⚠ ATTENZIONE:

- Inserire sempre a fondo la batteria, fino alla scomparsa dell'indicatore rosso. In caso contrario, potrebbe fuoriuscire accidentalmente dall'utensile, provocando danni all'operatore o a eventuali osservatori.
- Non forzare l'inserimento della batteria. Se la batteria non scorre agevolmente, significa che la manovra di inserimento non è corretta.

NOTA:

- Se la batteria non si rimuove agevolmente, spingerla dal lato opposto del pulsante e farla scorrere.

Azionamento dell'interruttore

⚠ ATTENZIONE:

- Prima di inserire la batteria nell'utensile, controllare se l'interruttore di accensione funziona correttamente e ritorna alla posizione "OFF" una volta rilasciato.
- Non tirare con forza l'interruttore senza aver prima premuto la sicura di accensione. In caso contrario, l'interruttore potrebbe rompersi. (Fig. 9)

La sicura di accensione consente di evitare l'azionamento involontario dell'interruttore di accensione. Per accendere l'utensile, premere la sicura e tirare l'interruttore di accensione. Rilasciare l'interruttore di accensione per spegnerlo.

⚠ AVVERTENZA:

- Per la sicurezza personale, questo utensile è dotato di una sicura di accensione che impedisce azionamenti accidentali. **NON** utilizzare l'utensile se è possibile azionarlo semplicemente tirando l'interruttore di accensione senza premere la relativa sicura. **PRIMA** DI utilizzare nuovamente l'utensile, rivolgersi a un centro di assistenza MAKITA per le necessarie riparazioni.
- **NON** tentare di manomettere o impedire il corretto funzionamento della sicura di accensione.

Indicazione della capacità residua della batteria (Fig. 10)

All'accensione dell'utensile, l'indicatore della batteria segnala la capacità residua della batteria.

La capacità residua della batteria è indicata come descritto nella tabella di seguito.

| Stato dell'indicatore della batteria | | | Capacità residua della batteria |
|--------------------------------------|----------|----------------|---------------------------------|
| : acceso | : spento | : lampeggiante | |
| | | | 50% - 100% |
| | | | 20% - 50% |
| | | | 0% - 20% |
| | | | Caricare la batteria |

015146

Funzione di cambiamento automatico della velocità (Fig. 11)

| Stato dell'indicatore della modalità | Modalità di funzionamento |
|--------------------------------------|---------------------------|
| | Modalità ad alta velocità |
| | Modalità a coppia elevata |

015137

Questo utensile è dotato di una “modalità ad alta velocità” e di una “modalità a coppia elevata”. La modalità di funzionamento viene cambiata automaticamente in base al carico di lavoro. Se l'indicatore della modalità è acceso durante il funzionamento, l'utensile è nella modalità a coppia elevata.

Sistema di protezione dell'utensile e della batteria

L'utensile è dotato di un sistema di protezione dell'utensile e della batteria. Questo sistema interrompe automaticamente l'alimentazione del motore per prolungare la durata dell'utensile e della batteria. L'utensile si spegne automaticamente durante l'uso se l'utensile stesso o la batteria si trovano in una delle condizioni riportate di seguito. In alcune condizioni, l'indicatore si accende.

Protezione dal sovraccarico

Se viene usato in modo da causare un assorbimento anormalmente alto di corrente, l'utensile si spegne automaticamente senza alcuna indicazione. In questa situazione, spegnere l'utensile e interrompere l'operazione che ha provocato il sovraccarico dell'utensile. Successivamente, accendere nuovamente l'utensile per riavviarlo.

Protezione dal surriscaldamento dell'utensile

In caso di surriscaldamento dell'utensile, l'utensile si spegne automaticamente e l'indicatore della batteria mostra lo stato indicato di seguito. In questa situazione, far raffreddare l'utensile prima di azionarlo nuovamente.

| | | | |
|---------------------------|-------------------------------|----------|----------------|
| Indicatore della batteria | : acceso | : spento | : lampeggiante |
| | L'utensile si è surriscaldato | | |

015145

Rilascio del blocco di protezione

Quando il sistema di protezione si attiva ripetutamente, l'utensile viene bloccato e l'indicatore della batteria mostra lo stato indicato di seguito.

| | | | |
|---------------------------|----------------------------------|----------|----------------|
| Indicatore della batteria | : acceso | : spento | : lampeggiante |
| | Il blocco di protezione è attivo | | |

015201

In tale situazione, l'utensile non si avvia neanche se viene acceso o spento. Per rilasciare il blocco di protezione, rimuovere la batteria, inserirla nel caricabatterie e attendere fino al termine della ricarica.

Regolazione della profondità di taglio

ATTENZIONE:

- Dopo aver regolato la profondità di taglio, serrare accuratamente la leva.

Allentare la leva presente sul lato della maniglia posteriore e spostare la base verso l'alto o verso il basso. Dopo aver raggiunto la profondità di taglio desiderata, fissare la base serrando la leva. **(Fig. 12)**

Per garantire la massima sicurezza e accuratezza, impostare la profondità di taglio in modo che dal pezzo in lavorazione fuoriesca solo un dente della lama. Una regolazione corretta della profondità di taglio consente di ridurre l'eventualità di pericolosi CONTRACCOLPI che possono provocare danni alla persona.

Smussatura

Allentare la leva anteriore. Impostare l'angolo desiderato (0° - 50°) piegando la sega, quindi serrare saldamente la leva anteriore. **(Fig. 13)**

Per eseguire tagli all'inclinazione esatta di 45°, utilizzare il fermo preimpostato a 45°. Ruotare completamente il fermo in senso antiorario per tagli obliqui con angoli compresi tra 0° e 45° oppure in senso orario per tagli obliqui con angoli compresi tra 0° e 50°. **(Fig. 14)**

Allineamento (Fig. 15)

Per tagli dritti, allineare la linea di taglio con la posizione 0° sulla parte anteriore della base. Per tagli obliqui a 45°, allineare la linea di taglio alla posizione 45°. La posizione della guida superiore è regolabile.

Accensione della lampada

ATTENZIONE:

- Non guardare direttamente la lampada o la sorgente luminosa. **(Fig. 16)**

Per accendere solo la lampada, tirare l'interruttore di accensione senza premere la sicura di accensione. Per accendere la lampada e utilizzare l'utensile, premere la sicura e azionare l'interruttore premendo la sicura di accensione. La lampada rimane accesa fino a quando si tiene premuto l'interruttore. La lampada si spegne automaticamente 10-15 secondi dopo il rilascio dell'interruttore.

NOTA:

- Utilizzare un panno asciutto per pulire la lente della lampada. Prestare attenzione a non graffiare la lente della lampada per evitare riduzioni dell'intensità luminosa.
- Per pulire la lente della lampada non utilizzare diluenti, benzina o prodotti chimici analoghi. Queste sostanze possono danneggiare la lente.

Gancio

ATTENZIONE:

- Rimuovere sempre la batteria quando si appende l'utensile con il gancio.
- Non appendere l'utensile a supporti potenzialmente instabili o in posizioni elevate.

Il gancio è utile per appendere temporaneamente l'utensile. Per utilizzare il gancio, è sufficiente ruotarlo fino a quando scatta e rimane aperto.

Se non lo si utilizza, ruotare il gancio fino a quando scatta e rimane chiuso. **(Fig. 17)**

MONTAGGIO

ATTENZIONE:

- Prima di eseguire qualsiasi operazione sull'utensile, verificare sempre di averlo spento e di aver rimosso la batteria.

Installazione o rimozione della lama della sega

ATTENZIONE:

- Assicurarsi che la lama sia installata in modo che i denti siano rivolti verso la parte anteriore dell'utensile.
- Per installare o rimuovere la lama, utilizzare solo la chiave fornita da Makita.

Per rimuovere la lama, premere il blocco dell'albero in modo che la lama non possa ruotare e utilizzare la chiave per allentare il bullone esagonale in senso orario.

Rimuovere il bullone esagonale, la flangia esterna e la lama. (Fig. 18 e 19)

Per installare la lama, attenersi alla procedura di disinstallazione procedendo in senso inverso.

ACCERTARSI DI SERRARE SALDAMENTE IL BULLONE ESAGONALE IN SENSO ANTIORARIO.

Quando si sostituisce la lama, rimuovere gli accumuli di segatura dai coprilama superiore e inferiore, come illustrato nella sezione Manutenzione. Queste operazioni di pulizia non sostituiscono la procedura di controllo del funzionamento del coprilama inferiore, che deve comunque essere eseguita prima di ogni utilizzo.

Per gli utensili con la flangia interna per una lama della sega con diametro del foro diverso da 15,88 mm

ATTENZIONE:

- Assicurarsi che la sporgenza "a" sulla flangia interna posizionata all'esterno si inserisca perfettamente nel foro della lama della sega "a". Il montaggio della lama sul lato sbagliato potrebbe causare vibrazioni pericolose.

La flangia interna presenta una sporgenza di un certo diametro su un lato e una sporgenza di diametro differente sull'altro. Scegliere il lato corretto in cui la sporgenza si inserisce perfettamente nel foro della lama della sega.

Successivamente, montare la flangia interna sull'albero di montaggio in modo che il lato corretto della sporgenza sulla flangia interna sia rivolto verso l'esterno, quindi posizionare la lama della sega e la flangia esterna. (Fig. 20)

ACCERTARSI DI SERRARE SALDAMENTE IL BULLONE ESAGONALE IN SENSO ANTIORARIO.

Per gli utensili con la flangia interna per una lama della sega con diametro del foro di 15,88 mm (specifico in base al Paese) (Fig. 21 e 22)

Montare la flangia interna con il lato incavato rivolto verso l'esterno sull'albero di montaggio, quindi posizionare la lama della sega (con l'anello attaccato se necessario), la flangia esterna e il bullone esagonale.

ACCERTARSI DI SERRARE SALDAMENTE IL BULLONE ESAGONALE IN SENSO ANTIORARIO.

AVVERTENZA:

- Prima di montare la lama sul mandrino, assicurarsi che sullo stesso, tra le flange interna ed esterna, sia installato l'anello corretto per il foro dell'asta

della lama che si intende utilizzare. L'utilizzo dell'anello errato per il foro dell'asta potrebbe causare il montaggio inadeguato della lama con la possibilità di causare movimenti e vibrazioni pericolose della lama, con conseguenti perdite di controllo durante l'uso e infortuni gravi.

Alloggiamento della chiave esagonale (Fig. 23)

Quando non è in uso, riporre la chiave esagonale come mostrato nella figura, evitando così di perderla.

Collegamento di un aspiratore (solo per i Paesi europei) (Fig. 24 e 25)

Se si desidera eseguire tagli senza produrre polvere, collegare all'utensile un aspiratore Makita.

Installare l'ugello antipolvere sull'utensile utilizzando la vite. Collegare quindi il tubo dell'aspiratore all'ugello antipolvere secondo quanto illustrato nella figura.

FUNZIONAMENTO

ATTENZIONE:

- Accertarsi di spostare in avanti l'utensile procedendo in linea retta con regolarità e senza esercitare una pressione eccessiva. Se si forza o si sposta dalla linea di taglio l'utensile, il motore può surriscaldarsi e si possono verificare pericolosi contraccolpi che possono determinare lesioni personali gravi.
- Durante il funzionamento, afferrare sempre l'utensile utilizzando sia l'impugnatura anteriore sia l'impugnatura posteriore. (Fig. 26)

Tenere l'utensile in modo saldo. L'utensile viene fornito con un'impugnatura anteriore e una maniglia posteriore. Utilizzarle entrambe per garantire una presa più sicura. Se entrambe le mani vengono utilizzate per tenere la sega, non potranno essere colpite dalla lama. Collocare la base sul pezzo in lavorazione senza che la lama entri in contatto con il materiale da tagliare. Accendere l'utensile e attendere che la lama raggiunga la massima velocità. Far avanzare l'utensile sulla superficie del pezzo in lavorazione, procedendo in piano e con regolarità fino al completamento del taglio.

Per ottenere tagli netti e accurati, avanzare in linea retta e con velocità costante. Se durante il taglio si devia dalla linea prevista, evitare di ruotare o forzare l'utensile in modo da ritornare sulla linea di taglio, perché la lama potrebbe bloccarsi e provocare pericolosi contraccolpi e lesioni personali. Rilasciare l'interruttore, attendere che la lama si arresti e rimuovere l'utensile. Riallineare l'utensile con la nuova linea di taglio e riprendere la lavorazione. Evitare le posizioni che espongono l'operatore ai trucioli e alla polvere espulsi dalla sega. Per una maggiore sicurezza, indossare una protezione per gli occhi.

Guida di taglio (regolo guida) (accessorio opzionale) (Fig. 27)

La pratica guida di taglio consente di realizzare tagli dritti precisissimi. Far scorrere la guida di taglio mantenendola aderente a un lato del pezzo in lavorazione e fissarla in posizione con la vite di serraggio sulla parte anteriore della base. La guida consente inoltre di realizzare tagli ripetuti mantenendo uniforme la larghezza del taglio.

MANUTENZIONE

ATTENZIONE:

- Prima di eseguire qualsiasi operazione sull'utensile, verificare sempre di averlo spento e di aver rimosso la batteria.
- **Pulire i coprilama superiore e inferiore assicurandosi che non siano presenti accumuli di segatura che potrebbero impedire il funzionamento del sistema di protezione inferiore.** Un sistema di protezione sporco potrebbe influire sul corretto funzionamento, causando gravi danni alla persona. Il modo più efficace per eseguire la pulizia è quello di utilizzare aria compressa. **Se la polvere viene soffiata fuori dai coprilama, assicurarsi di utilizzare un'adeguata protezione per gli occhi e le vie respiratorie.**
- Evitare assolutamente di usare benzina, diluenti, solventi, alcol o sostanze simili. In caso contrario, potrebbero verificarsi scoloriture, deformazioni o incrinature.

Regolazione dell'impostazione di taglio a 0° e 45° (taglio verticale e a 45°) (Fig. 28 e 29)

Questa regolazione è preimpostata dal produttore. In caso fosse necessario correggerla, mettere a punto l'impostazione con le viti di regolazione utilizzando una chiave esagonale e controllando che la lama formi un angolo di 0° o 45° con la base mediante una squadra triangolare oppure ad angolo retto. Per regolare un angolo di 45°, utilizzare il fermo preimpostato a 45°.

Regolazione della guida obliqua (Fig. 30)

La guida obliqua è stata regolata in fabbrica. Qualora si verificano deviazioni, è possibile procedere come segue per la regolazione.

Per regolare la guida obliqua, allentare le due viti.

Allineare la linea 0° sulla guida obliqua con la guida sulla base quando quest'ultima è impostata sull'angolo 0°.

Per preservare la SICUREZZA e l'AFFIDABILITÀ del prodotto, qualsiasi riparazione o intervento di manutenzione e regolazione deve essere eseguito dai centri assistenza autorizzati Makita utilizzando sempre ricambi Makita.

ACCESSORI OPZIONALI

ATTENZIONE:

- Si consiglia l'uso dei seguenti accessori per l'utensile Makita descritto in questo manuale. L'uso di qualsiasi altro accessorio potrebbe provocare lesioni personali. Utilizzare gli accessori esclusivamente per l'uso dichiarato.

Per l'assistenza e per ulteriori informazioni su tali accessori, rivolgersi al centro assistenza Makita di zona.

- Lama della sega
- Guida di taglio (regolo guida)
- Binario guida
- Adattatore per binario guida
- Righello
- Ugello antipolvere
- Chiave esagonale

- Batteria e caricabatterie originali Makita

NOTA:

- Alcuni degli accessori elencati potrebbero essere inclusi nella confezione dell'utensile come accessori standard. Gli accessori standard possono differire da paese a paese.

Rumore

ENG905-1

Il tipico livello di rumore ponderato A è determinato in conformità alla norma EN60745:

Livello di pressione sonora (L_{pA}): 83 dB (A)

Livello di potenza sonora (L_{WA}): 94 dB (A)

Variazione (K): 3 dB (A)

Indossare una protezione acustica.

Vibrazioni

ENG900-1

Il valore totale delle vibrazioni (somma vettoriale triassiale) è determinato in conformità alla norma EN60745:

Modalità di lavoro: taglio del legno

Emissione di vibrazioni ($a_{h,W}$): 2,5 m/s² o inferiore

Variazione (K): 1,5 m/s²

ENG901-1

- Il valore di emissione delle vibrazioni dichiarato è stato misurato in conformità con il metodo di test standard e può essere utilizzato per confrontare tra loro diversi utensili.
- Il valore dell'emissione delle vibrazioni dichiarato può anche essere usato per stime preliminari dell'esposizione.

AVVERTENZA:

- L'emissione delle vibrazioni durante l'uso effettivo dell'utensile elettrico può risultare diversa rispetto al valore dichiarato, in base alla modalità d'uso dell'utensile.
- Assicurarsi di individuare le necessarie misure di sicurezza per proteggere l'operatore in base a una stima dell'esposizione nelle condizioni reali di utilizzo (prendendo in considerazione tutte le fasi del ciclo operativo, come quante volte l'utensile viene spento e i periodi in cui rimane inattivo, oltre al tempo di avviamento).

Solo per i paesi europei

ENH101-18

Dichiarazione di conformità CE

Makita dichiara che le macchine seguenti:

Denominazione dell'utensile:

Sega circolare a batteria

N. modello/Tipo: DHS680

sono conformi alle seguenti direttive europee:

2006/42/EC

Sono prodotte in conformità agli standard o ai documenti standardizzati riportati di seguito:

EN60745

Il documento tecnico ai sensi della Direttiva europea
2006/42/EC è disponibile presso:

Makita, Jan-Baptist Vinkstraat 2, 3070, Belgio

18. 3. 2014

A handwritten signature in black ink, appearing to read 'Yasushi Fukaya'.

Yasushi Fukaya
Direttore

Makita, Jan-Baptist Vinkstraat 2, 3070, Belgio

NEDERLANDS (Originele instructies)

Verklaring van het onderdelenoverzicht

| | | |
|----------------------------|---------------------|-------------------------------|
| 1. Knop | 14. Bout | 27. Montageas |
| 2. Rode deel | 15. Lampje | 28. Ring |
| 3. Accu | 16. Haak | 29. Stofafzuigaansluitmond |
| 4. Aan-uitschakelaar | 17. Gesloten | 30. Stofzuiger |
| 5. Uit-vergrendeling | 18. Geopend | 31. Slang |
| 6. Accu-indicator | 19. Inbussleutel | 32. Klembout |
| 7. Functie-indicatorlampje | 20. Asvergrendeling | 33. Breedtegeleider (liniaal) |
| 8. Hendel | 21. Vastdraaien | 34. Stelbout voor 45° |
| 9. Dieptegeleider | 22. Losdraaien | 35. Stelbout voor 0° |
| 10. Hendel aan voorkant | 23. Binnenflens | 36. Geodriehoek |
| 11. Aanslag | 24. Zaagblad | 37. Verstekschaalverdeling |
| 12. Zaaglijn (0°-stand) | 25. Buitenflens | 38. Schaalverdeling |
| 13. Zaaglijn (45°-stand) | 26. Inbusbout | |

TECHNISCHE GEGEVENS

| | | |
|-----------------------|-------------------------|-------|
| Model | DHS680 | |
| Diameter van zaagblad | 165 mm | |
| Max. zaagdiepte | bij 0° | 57 mm |
| | bij 45° | 41 mm |
| | bij 50° | 37 mm |
| Onbelast toerental | 5.000 min ⁻¹ | |
| Totale lengte | 350 mm | |
| Nettogewicht | 3,3 kg | |
| Nominale spanning | 18 V gelijkstroom | |

- Als gevolg van ons doorlopende onderzoeks- en ontwikkelingsprogramma, zijn de technische gegevens van dit gereedschap onderhevig aan veranderingen zonder voorafgaande kennisgeving.
- Specificaties en accu's kunnen van land tot land verschillen.
- Gewicht, inclusief de accu, volgens de EPTA-procedure 01/2003

Gebruiksdoelstellingen

ENE078-2

Het gereedschap is bedoeld voor het recht zagen in de lengte- en breedterichting, en verstekzagen onder een hoek in hout, waarbij het gereedschap stevig in contact staat met het werkstuk. Met geschikte, originele Makita-zaagbladen kunnen ook andere materialen worden gezaagd.

Algemene veiligheidswaarschuwingen voor elektrisch gereedschap

GEA010-1

! **WAARSCHUWING** Lees alle veiligheidswaarschuwingen en alle instructies. Het niet volgen van de waarschuwingen en instructies kan leiden tot elektrische schokken, brand en/of ernstig letsel.

Bewaar alle waarschuwingen en instructies om in de toekomst te kunnen raadplegen.

VEILIGHEIDSWAARSCHUWINGEN VOOR EEN ACCUCIRKELZAAG

GEB060-8

Zaagmethoden

1. **⚠ GEVAAR: Houd uw handen uit de buurt van het zaaggebied en het zaagblad. Houd met uw andere hand de voorhandgreep of de behuizing van het gereedschap vast.** Als u de cirkelzaag met beide handen vasthoudt, kunt u nooit in uw handen zagen.
2. **Reik nooit met uw handen onder het werkstuk.** De beschermkap kan u niet beschermen tegen het zaagblad onder het werkstuk.
3. **Stel de zaagdiepte in overeenkomstig de dikte van het werkstuk.** Minder dan een volledige tandhoogte dient onder het werkstuk uit te komen.
4. **Houd het werkstuk waarin wordt gezaagd nooit vast met uw handen of benen. Zorg dat het werkstuk stabiel is ten opzichte van de ondergrond.** Het is belangrijk het werkstuk goed te ondersteunen om de kans te minimaliseren dat uw lichaam eraan blootgesteld wordt, het zaagblad vastloopt of u de controle over het gereedschap verliest (**zie afb. 1**).
Afbeelding van goed vasthouden met uw handen en goede ondersteuning van het werkstuk.

5. **Houd het elektrisch gereedschap alleen vast aan het geïsoleerde oppervlak van de handgrepen wanneer u werkt op plaatsen waar het zaaggarnituur met verborgen bedrading in aanraking kan komen.** Door aanraking van onder spanning staande draden, zullen de niet-geïsoleerde metalen delen van het gereedschap onder spanning komen te staan zodat de gebruiker een elektrische schok kan krijgen.
6. **Gebruik bij het schulpen altijd de breedtegeleider of de langseleider.** Hierdoor wordt de nauwkeurigheid van het zagen vergroot en de kans op vastlopen van het zaagblad verkleint.
7. **Gebruik altijd zaagbladen met doornraten van de juiste afmetingen en vorm (diamant versus rond).** Zaagbladen die niet goed passen op de bevestigingsmiddelen van de cirkelzaag, zullen excentrisch draaien waardoor u de controle over het gereedschap verliest.
8. **Gebruik nooit een beschadigde of verkeerde bouten en ringen om het zaagblad mee te bevestigen.** De bouten en ringen voor de bevestiging van het zaagblad zijn speciaal ontworpen voor gebruik met uw cirkelzaag voor optimale prestaties en veilig gebruik.

Oorzaken van terugslag en aanverwante waarschuwingen

- Terugslag is een plotselinge reactie op een bekneld, vastgelopen of niet-uitgelijnd zaagblad, waardoor de oncontroleerbare cirkelzaag omhoog, uit het werkstuk en in de richting van de gebruiker gaat.
- Wanneer het zaagblad bekneld raakt of vastloopt doordat de zaagsnede naar beneden toe smaller wordt, vertraagt het zaagblad en komt als reactie de motor snel omhoog in de richting van de gebruiker.
- Als het zaagblad gebogen of niet-uitgelijnd raakt in de zaagsnede, kunnen de tanden aan de achterrand van het zaagblad zich in het bovenoppervlak van het hout vreten, waardoor het zaagblad uit de zaagsnede klimt en omhoog springt in de richting van de gebruiker.

Terugslag is het gevolg van misbruik van de cirkelzaag en/of onjuiste gebruikprocedures of -omstandigheden, en kan worden voorkomen door goede voorzorgsmaatregelen te treffen, zoals hieronder vermeld:

9. **Houd de cirkelzaag stevig vast met beide handen en houdt uw armen zodanig dat een terugslag wordt opgevangen. Plaats uw lichaam zijwaarts versprongen van het zaagblad en niet in een rechte lijn erachter.** Door terugslag kan de cirkelzaag achterwaarts springen, maar de kracht van de terugslag kan met de juiste voorzorgsmaatregelen door de gebruiker worden opgevangen.
10. **Wanneer het zaagblad vastloopt, of wanneer u om een of andere reden het zagen onderbreekt, laat u de aan-uitschakelaar los en houdt u de cirkelzaag stil in het materiaal totdat het zaagblad volledig tot stilstand is gekomen. Probeer nooit het zaagblad uit het werkstuk te halen of de cirkelzaag naar achteren te trekken, terwijl het zaagblad nog draait omdat hierdoor een terugslag kan optreden.** Onderzoek waarom het zaagblad is vastgelopen en trek afdoende maatregelen om de oorzaak ervan op te heffen.
11. **Wanneer u de cirkelzaag weer inschakelt terwijl het zaagblad in het werkstuk zit, plaatst u het zaagblad in het midden van de zaagsnede en controleert u dat de tanden niet in het materiaal grijpen.** Als het zaagblad is vastgelopen, kan wanneer de cirkelzaag wordt ingeschakeld het zaagblad uit het werkstuk lopen of terugslaan.
12. **Ondersteun grote platen om de kans te minimaliseren dat het zaagblad bekneld raakt of terugslaat.** Grote panelen neigen door te zakken onder hun eigen gewicht. U moet de plaat ondersteunen aan beide zijranden, vlakbij de zaaglijn en vlakbij het uiteinde (zie afb. 2 en 3). **Ondersteun de plank of plaat vlakbij de zaaglijn om terugslag te voorkomen.** **Ondersteun de plank of plaat niet op grote afstand van de zaaglijn.**
13. **Gebruik een bot of beschadigd zaagblad niet meer.** Niet-geslepen of verkeerd gezette tanden maken een smalle zaagsnede wat leidt tot grote wrijving, vastlopen en terugslag.
14. **De vergrendelhendels voor het instellen van de zaagbladdiepte en verstekhoek moeten vastzitten alvorens te beginnen met zagen.** Als de instellingen van het zaagblad zich tijdens het zagen wijzigen, kan dit leiden tot vastlopen of terugslag.
15. **Wees extra voorzichtig wanneer u in een bestaande wand zaagt of op een andere plaats waarvan u de onderkant van het zaagoppervlak niet kunt zien.** Wanneer het zaagblad door het materiaal heen breekt, kan het een voorwerp raken waardoor een terugslag optreedt.
16. **Houd het gereedschap ALTIJD met beide handen stevig vast. Plaats NOOIT uw hand of vingers achter het zaagblad.** Als een terugslag optreedt, kan het zaagblad gemakkelijk achteruit en over uw hand springen waardoor ernstig persoonlijk letsel ontstaat (zie afb. 4).
17. **Dwing de zaag nooit. Duw de cirkelzaag vooruit met een snelheid waarbij het zaagblad niet vertraagt.** Als u het zaagblad dwingt, kan dat leiden tot een ongelijkmatige zaagsnede, verminderde nauwkeurigheid en mogelijke terugslag.

Onderste beschermkap

18. **Controleer voor ieder gebruik of de onderste beschermkap goed sluit. Gebruik de cirkelzaag niet als de onderste beschermkap niet vrij kan bewegen en onmiddellijk sluit. Zet de onderste beschermkap nooit vast in de geopende stand.** Als u de cirkelzaag per ongeluk laat vallen, kan de onderste beschermkap worden verborgen. Til de onderste beschermkap op aan de terugtrekkende en controleer dat deze vrij kan bewegen en niet het zaagblad of enig ander onderdeel raakt, onder alle verstekhoeken en op alle zaagdiepten.
19. **Controleer de werking van de veer van de onderste beschermkap. Als de beschermkap en de veer niet goed werken, dienen deze te worden gerepareerd voordat de cirkelzaag wordt gebruikt.** De onderste beschermkap kan traag werken als gevolg van beschadigde onderdelen, gom- of harsafzetting, of opeenhoping van vuil.
20. **De onderste beschermkap mag alleen met de hand worden geopend voor het maken van speciale**

zaagsneden, zoals een “invalzaagsnede” en “samengestelde zaagsnede”. Til de onderste beschermkap op aan de terugtrekhandel en laat deze los zodra het zaagblad in het materiaal zaagt.

Bij alle andere typen zaagsneden, dient de onderste beschermkap automatisch te werken.

21. **Let er altijd op dat de onderste beschermkap het zaagblad bedekt voordat u de cirkelzaag op een werkbank of vloer neerlegt.** Een onbeschermde zaagblad dat nog nadraait, zal de cirkelzaag achteruit doen lopen waarbij alles op zijn weg wordt gezaagd. Denk eraan dat nadat de cirkelzaag is uitgeschakeld het nog enige tijd duurt voordat het zaagblad stilstaat.
22. **U kunt de onderste beschermkap controleren, door deze met de hand te openen, los te laten en te kijken hoe hij sluit. Controleer tevens of de terugtrekhandel de behuizing van het gereedschap niet raakt.** Het zaagblad onbeschermde laten is UITERST GEVAARLIJK en kan leiden tot ernstig persoonlijk letsel.

Aanvullende veiligheidswaarschuwingen

23. **Wees extra voorzichtig bij het zagen in nat hout, druk-behandeld timmerhout en hout met knoesten.** Zorg ervoor dat de cirkelzaag soepel vooruit blijft gaan zonder dat de snelheid van het zaagblad lager wordt om te voorkomen dat de punten van het zaagblad warm worden.
24. **Probeer niet afgezaagd materiaal te verwijderen terwijl het zaagblad nog draait. Wacht totdat het zaagblad volledig tot stilstand is gekomen voordat u het afgezaagde materiaal vastpakt.** De messenbladen bewegen nog na nadat het gereedschap is uitgeschakeld.
25. **Voorkom dat u in spijkers schaaft. Inspecteer het hout op spijkers en verwijder deze zo nodig voordat u begint te zagen.**
26. **Plaats het bredere deel van de zool van de cirkelzaag op het deel van het werkstuk dat goed is ondersteund, en niet op het deel dat omlaag valt nadat de zaagsnede gemaakt is. Als voorbeeld laat afbeelding 5 zien hoe u het uiteinde van een plank GOED afzaagt, en afbeelding 6 hoe u dit VERKEERD doet. Als het werkstuk kort of smal is, klemt u het vast. PROBEER NOOIT EEN KORT WERKSTUK IN UW HANDEN VAST TE HOUDEN!** (zie afb. 5 en 6.)
27. **Voordat u het gereedschap neerlegt na het voltooiën van een zaagsnede, controleert u dat de onderste beschermkap gesloten is en het zaagblad volledig tot stilstand is gekomen.**
28. **Probeer nooit te zagen waarbij de cirkelzaag ondersteboven in een bankschroef is geklemd. Dit is uiterst gevaarlijk en kan leiden tot ernstig persoonlijk letsel (zie afb. 7).**
29. **Sommige materialen bevatten chemische stoffen die giftig kunnen zijn. Neem voorzorgsmaatregelen tegen het inademen van stof en contact met de huid. Volg de veiligheidsinstructies van de leverancier van het materiaal op.**
30. **Breng het zaagblad niet tot stilstand door zijdelings op het zaagblad te drukken.**
31. **Gebruik geen slijpschijven.**

32. **Gebruik uitsluitend een zaagblad met een diameter die is aangegeven op het gereedschap of vermeld in de gebruiksaanwijzing.** Het gebruik van een zaagblad met een verkeerde afmeting kan de goede bescherming van het zaagblad of de werking van de beschermkap negatief beïnvloeden waardoor ernstig persoonlijk letsel kan ontstaan.
33. **Houd het zaagblad scherp en schoon.** Gom of hars dat op het zaagblad is opgedroogd vertraagt het zaagblad en verhoogt de kans op terugslag. Houd het zaagblad schoon door dit eerst van het gereedschap te demonteren en het vervolgens schoon te maken met een reinigingsmiddel voor gom en hars, heet water of kerosine. Gebruik nooit benzine.
34. **Draag een stofmasker en gehoorbescherming tijdens gebruik van het gereedschap.**

BEWAAR DEZE INSTRUCTIES.

WAARSCHUWING:

Laat u NIET misleiden door een vals gevoel van comfort en bekendheid met het gereedschap (na veelvuldig gebruik) en neem alle veiligheidsvoorschriften van het betreffende product altijd strikt in acht. VERKEERD GEBRUIK of het niet volgen van de veiligheidsinstructies in deze gebruiksaanwijzing kan leiden tot ernstig persoonlijk letsel.

BELANGRIJKE VEILIGHEIDSI NSTRUCTIES ENC007-8

VOOR ACCU'S

1. **Alvorens de accu in gebruik te nemen, leest u eerst alle instructies en waarschuwingsofschriften op (1) de acculader, (2) de accu en (3) het apparaat waarin de accu wordt aangebracht.**
2. **Haal de accu niet uit elkaar.**
3. **Als de gebruikstijd aanzienlijk korter is geworden, stopt u onmiddellijk met het gebruik. Anders kan dit leiden tot kans op oververhitting, mogelijke brandwonden en zelfs een explosie.**
4. **Als de elektrolyt in uw ogen komt, wast u deze uit met schoon water en raadpleegt u onmiddellijk een arts. Dit kan leiden tot verlies van gezichtsvermogen.**
5. **Sluit de accu niet kort:**
 - (1) **Raak de accupolen niet aan met enig geleidend materiaal.**
 - (2) **Bewaar de accu niet op een plaats waar deze in aanraking kan komen met andere metalen voorwerpen, zoals spijkers, munten, enz.**
 - (3) **Stel de accu niet bloot aan water of regen. Kortsluiting van de accu kan leiden tot een hoge stroomsterkte, oververhitting, mogelijke brandwonden en zelfs een defect.**
6. **Bewaar het gereedschap en de accu niet op plaatsen waar de temperatuur kan oplopen tot 50 °C of hoger.**
7. **Werp de accu niet in een vuur, zelfs niet als deze al ernstig beschadigd of helemaal versleten is. De accu kan in een vuur exploderen.**

8. Wees voorzichtig dat u de accu niet laat vallen of ergens tegenaan stoot.
9. Gebruik nooit een beschadigde accu.
10. Neem de plaatselijke regelgeving met betrekking tot het weggoien van de accu in acht.

BEWAAR DEZE INSTRUCTIES.

Tips voor een lange levensduur van de accu

1. Laad de accu op voordat deze volledig leeg is. Wanneer u merkt dat het gereedschap minder vermogen heeft, stopt u met het gebruik ervan en laadt u eerst de accu op.
2. Laad nooit een volledig opgeladen accu op. Te lang opladen verkort de levensduur van de accu.
3. Laad de accu op bij een omgevingstemperatuur van 10 °C tot 40 °C. Laat een warme accu eerst afkoelen voordat u deze oplaadt.
4. Laad de accu ieder half jaar op als u deze gedurende een lange tijd niet gebruikt.

BESCHRIJVING VAN DE FUNCTIES

⚠ LET OP:

- Zorg ervoor dat het gereedschap is uitgeschakeld en dat de accu is verwijderd voordat u de werking van het gereedschap aanpast of controleert.

De accu aanbrengen en verwijderen (zie afb. 8)

⚠ LET OP:

- Schakel het gereedschap altijd uit voordat u de accu aanbrengt of verwijderd.
- Houd het gereedschap en de accu stevig vast tijdens het aanbrengen of verwijderen van de accu. Als u het gereedschap en de accu niet stevig vasthoudt, kunnen deze uit uw handen glijpen en beschadigd raken, of kan persoonlijk letsel worden veroorzaakt.

Om de accu te verwijderen verschuift u de knop aan de voorkant van de accu en schuift u tegelijkertijd de accu eraf.

Om de accu aan te brengen, lijnt u de lip op de accu uit met de groef in de behuizing en duwt u de accu op zijn plaats. Steek de accu zo ver mogelijk erin tot u een klikgeluid hoort. Als u het rode deel aan de bovenkant van de knop kunt zien, is de accu niet goed aangebracht.

⚠ LET OP:

- Breng de accu altijd helemaal aan totdat het rode deel niet meer zichtbaar is. Als u dit niet doet, kan de accu per ongeluk uit het gereedschap vallen en letsel veroorzaken bij u of anderen in uw omgeving.
- Breng de accu niet met kracht aan. Als de accu niet gemakkelijk erin kan worden geschoven, wordt deze niet goed aangebracht.

OPMERKING:

- Als de accu niet gemakkelijk kan worden verwijderd, duwt u vanaf de tegenovergestelde kant van de knop en schuift u hem eraf.

Werking van de aan-uitschakelaar

⚠ LET OP:

- Controleer altijd, voordat u de accu op het gereedschap aanbrengt, of de aan-uitschakelaar op de juiste manier schakelt en weer terugkeert naar de uitstand nadat deze is losgelaten.
- Knijp de aan-uitschakelaar niet hard in zonder de uitvergrendeling in te duwen. Hierdoor kan de aan-uitschakelaar kapot gaan (zie afb. 9).

Om te voorkomen dat de aan-uitschakelaar per ongeluk wordt bediend, is een uit-vergrendeling aangebracht. Om het gereedschap te starten, duwt u de uit-vergrendeling in en knijpt u de aan-uitschakelaar in. Laat de aan-uitschakelaar los om het gereedschap te stoppen.

⚠ WAARSCHUWING:

- Omwille van uw veiligheid is dit gereedschap uitgerust met een uit-vergrendeling die voorkomt dat het gereedschap onbedoeld wordt ingeschakeld. Gebruik het gereedschap NOOIT wanneer dit draait door gewoon de aan-uitschakelaar in te knijpen zonder de uit-vergrendeling in te duwen. Stuur het gereedschap voor deugdelijke reparatie terug naar een MAKITA-servicecentrum ALVORENS het verder te gebruiken.
- U mag NOOIT de uit-vergrendeling met plakband vastzetten of anderszins de werking en functie ervan tenietdoen.

De resterende acculading controleren (zie afb. 10)





Wanneer u het gereedschap inschakelt, geeft de accu-indicator de resterende acculading aan.

De resterende acculading wordt aangegeven volgens de onderstaande tabel.

| Toestand van accu-indicator | | | Resterende acculading |
|-----------------------------|---------|--------------|-----------------------|
| ■ : Aan | □ : Uit | ■ : Knippert | |
| | | | 50% tot 100% |
| | | | 20% tot 50% |
| | | | 0% tot 20% |
| | | | Laad de accu op. |

015146

Automatische toerentalwisselfunctie (zie afb. 11)

| Toestand van het functie-indicatorlampje | Bedrijfsfunctie |
|---|-----------------------|
|   | Hoog-toerentalfunctie |
|   | Hoog-koppelfunctie |

015137

Dit gereedschap heeft een "hoog-toerentalfunctie" en een "hoog-koppelfunctie". De bedrijfsfunctie wordt automatisch veranderd aan de hand van de werkbelasting. Wanneer tijdens gebruik het functie-indicatorlampje gaat branden, staat het gereedschap in de hoog-koppelfunctie.

Gereedschap-/accubeveiligingssysteem

Het gereedschap is uitgerust met een gereedschap-/accubeveiligingssysteem. Dit systeem schakelt automatisch de voeding naar de motor uit om de levensduur van het gereedschap en de accu te verlengen. Het gereedschap zal tijdens gebruik automatisch stoppen wanneer het gereedschap of de accu zich in een van de volgende omstandigheden bevindt: Onder bepaalde omstandigheden gaat het indicatorlampje branden.

Overbelastingsbeveiliging

Wanneer het gereedschap wordt gebruikt op een manier waardoor een abnormaal hoge stroom wordt getrokken, stopt het gereedschap automatisch zonder dat een indicatorlampje gaat branden. Schakel in die situatie het gereedschap uit en stop het gebruik dat ertoe leidde dat het gereedschap overbelast werd. Schakel daarna het gereedschap in om het weer te starten.

Oververhittingsbeveiliging voor het gereedschap

Wanneer het gereedschap oververhit is, stopt het gereedschap automatisch en toont de accu-indicator de volgende toestand. In die situatie laat u het gereedschap eerst afkoelen voordat u het gereedschap opnieuw inschakelt.

| Accu-indicator |  : Aan |  : Uit |  : Knippert |
|---|---|---|--|
|   | Gereedschap is oververhit | | |

015145

De beveiligingsvergrendeling opheffen

Wanneer het beveiligingssysteem herhaaldelijk in werking treedt, wordt het gereedschap vergrendeld en geeft de accu-indicator de volgende toestand aan.

| Accu-indicator |  : Aan |  : Uit |  : Knippert |
|---|---|---|--|
|   | Beveiligingsvergrendeling in werking | | |

015201

In deze toestand start het gereedschap niet, ook niet wanneer het gereedschap wordt uitgeschakeld en weer ingeschakeld. Om de beveiligingsvergrendeling op te heffen, verwijdt u de accu, plaatst u hem in de acculader en wacht u tot het opladen klaar is.

De zaagdiepte instellen

⚠ LET OP:

- Nadat u de zaagdiepte hebt ingesteld, zet u de hendel altijd stevig vast.

Zet de hendel los aan de zijkant van de achterhandgreep en beweeg de zool omhoog en omlaag. Zet de zool vast op de gewenste zaagdiepte door de hendel vast te zetten (zie afb. 12).

Voor een schonere, veiligere zaagsnede, stelt u de zaagdiepte zodanig in dat niet meer dan een tandhoogte door het werkstuk heen steekt. Door de zaagdiepte goed in te stellen, verkleint u de kans op een potentieel gevaarlijke TERUGSLAG, en daarmee op persoonlijk letsel.

Verstekzagen

Zet de hendel aan de voorkant los. Stel de gewenste verstekhoek in (0° - 50°) door dienovereenkomstig te kantelen, en zet vervolgens de hendel aan de voorkant weer vast (zie afb. 13).

Gebruik de 45° aanslag wanneer u precies onder een hoek van 45° wilt verstekzagen. Draai de aanslag volledig linksom voor verstekzagen onder een hoek van 0° t/m 45°, en draai deze rechtsom voor verstekzagen onder een hoek van 0° t/m 50° (zie afb. 14).

Zichtlijn (zie afb. 15)

Voor recht zagen lijnt u de stand 0° op de voorkant van de zool uit met de zaaglijn. Voor verstekzagen onder een hoek van 45°, gebruikt u uit met de stand 45°. De stand van de schaalverdeling is verstelbaar.

De lamp inschakelen

⚠ LET OP:

- Kijk niet rechtstreeks in de lamp of naar de bron van de lamp (zie afb. 16).

U kunt de lamp inschakelen door gewoon de aan-uitschakelaar in te knippen zonder de uit-vergrendeling te bedienen. Om de lamp en het gereedschap in te schakelen, bedient u de uit-vergrendeling en knijpt u tegelijkertijd de aan-uitschakelaar in terwijl u de uit-vergrendeling ingedrukt houdt. De lamp blijft branden zolang u de aan-uitschakelaar ingeknepen houdt. De lamp gaat 10 tot 15 seconden nadat u de aan-uitschakelaar hebt losgelaten uit.

OPMERKING:

- Gebruik een doek om het vuil van de lens van de lamp te vegen. Wees voorzichtig de lens van de lamp niet te bekrassen om de lichtopbrengst niet te verlagen.
- Gebruik geen benzine, thinner of soortgelijk middel om de lens van de lamp te reinigen. Dergelijke middelen zullen de lens beschadigen.

Haak

⚠ LET OP:

- Verwijder altijd de accu wanneer het gereedschap aan de haak wordt opgehangen.
- Hang het gereedschap niet op aan de haak op een hoge plaats of op een mogelijk instabiele ondergrond.

De haak is handig om het gereedschap tijdelijk aan op te hangen. Om de haak te gebruiken, draait u hem totdat hij vastklikt in de geopende stand.

Als u de haak niet gebruikt, draait u hem weer terug totdat hij vastklikt in de gesloten stand (zie afb. 17).

DE ONDERDELEN MONTEREN

⚠ LET OP:

- Controleer altijd of het gereedschap is uitgeschakeld en de accu is verwijderd alvorens enige werkzaamheden aan het gereedschap te verrichten.

Het zaagblad aanbrengen en verwijderen

⚠ LET OP:

- Verzekeer u ervan dat het zaagblad zodanig wordt aangebracht dat de tanden aan de voorkant van het gereedschap omhoog wijzen.
- Gebruik uitsluitend de Makita-inbussleutel voor het aanbrengen en verwijderen van het zaagblad.

Als u het zaagblad wilt verwijderen, drukt u eerst de asvergrendeling in zodat het zaagblad niet meer kan draaien, en gebruikt u vervolgens de inbussleutel om de inbusbout rechtsom los te draaien. Verwijder daarna de zeskantbout, de buitenflens en het zaagblad (zie afb. 18 en 19).

Om het zaagblad aan te brengen, volgt u de procedure in omgekeerde volgorde. ZORG ERVOOR DAT U DE INBUSBOUT LINKSOM STEVIG VASTDRAAIT.

Vergeet niet tijdens het verwisselen van het zaagblad ook de bovenste en onderste beschermkappen te ontdoen van opgehoopt zaagsel, zoals beschreven in het hoofdstuk Onderhoud. Ondanks dergelijk onderhoud blijft het noodzakelijk de werking van de onderste beschermkap voor ieder gebruik te controleren.

Voor gereedschap met een binnenflens voor een zaagblad met een middengatdiameter anders dan 15,88 mm

⚠ LET OP:

- **Zorg ervoor dat de uitstulping “a” van de binnenflens die naar buiten wijst, perfect past in het middengat “a” van het zaagblad.** Als u het zaagblad op de verkeerde kant van de binnenflens aanbrengt, kunnen gevaarlijke trillingen het gevolg zijn. De binnenflens heeft een uitstulping met een zekere diameter aan één zijde en een uitstulping met een andere diameter aan de andere zijde. Kies de juiste zijde

waarvan de uitstulping perfect in het middengat van het zaagblad past.

Plaats vervolgens de binnenflens zodanig op de as dat de zijde met de juiste uitstulping naar buiten wijst, en breng daarna het zaagblad, de buitenflens en de inbusbout aan (zie afb. 20).

ZORG ERVOOR DAT U DE INBUSBOUT LINKSOM STEVIG VASTDRAAIT.

Voor gereedschap met een binnenflens voor een zaagblad met een middengatdiameter van 15,88 mm (afhankelijk van het land) (zie afb. 21 en 22)

Plaats de binnenflens met de verzonken kant naar buiten gericht op de as en breng daarna het zaagblad (met daarop zo nodig de ring bevestigd), de buitenflens en de inbusbout aan.

ZORG ERVOOR DAT U DE INBUSBOUT LINKSOM STEVIG VASTDRAAIT.

⚠ WAARSCHUWING:

- **Voordat het zaagblad op de as wordt geplaatst, moet u ervoor zorgen dat de juiste ring, passend voor het asgat van het zaagblad, is aangebracht tussen de binnen- en buitenflens.** Het gebruik van een verkeerde asgating kan resulteren in een gebrekkige montage van het zaagblad waardoor dit kan bewegen en sterk trillen met mogelijk controleverlies en ernstige verwondingen tot gevolg.

Opbergplaats van de inbussleutel (zie afb. 23)

Wanneer u de inbussleutel niet gebruikt, bergt u deze op de plaats aangegeven in de afbeelding op, om te voorkomen dat deze wordt verloren.

Een stofzuiger aansluiten (alleen voor Europese landen) (zie afb. 24 en 25)

Wanneer u tijdens het zagen schoon wilt werken, sluit u een Makita-stofzuiger aan op uw gereedschap. Monteer de stofzuigaansluitmond op het gereedschap met behulp van de schroef. Sluit vervolgens de stofzuigerslang aan op de stofzuigaansluitmond, zoals aangegeven in de afbeelding.

BEDIENING

⚠ LET OP:

- Duw het gereedschap voorzichtig in een rechte lijn naar voren. Als u het gereedschap dwing of verdraait, zal de motor oververhit raken en het gereedschap gevaarlijk terugslaan waardoor ernstig letsel kan worden veroorzaakt.
- Gebruik altijd de voorhandgreep en achterhandgreep, en houd het gereedschap tijdens gebruik stevig vast aan zowel de voorhandgreep als de achterhandgreep (zie afb. 26).

Houd het gereedschap stevig vast. Het gereedschap is voorzien van zowel een voorhandgreep als een achterhandgreep. Gebruik beide om het gereedschap zo goed mogelijk vast te houden. Als u de cirkelzaag met beide handen vasthoudt, kunt u nooit in uw handen zagen. Plaats eerst de zool op het werkstuk dat u wilt zagen, zonder dat het zaagblad het werkstuk raakt. Schakel vervolgens het gereedschap in en wacht totdat

het zaagblad op volle snelheid draait. Duw het gereedschap nu gewoon naar voren over het oppervlak van het werkstuk, houd het daarbij vlak, en duw gelijkmatig totdat het zagen klaar is.

Zorg voor een schone zaagsnede door een rechte zaaglijn en een constante voortgaande snelheid. Als de zaagsnede niet verloopt volgens de voorgenomen zaaglijn, mag u niet proberen het gereedschap iets te draaien of te dwingen terug te keren naar de zaaglijn. Als u dit doet, kan het zaagblad vastlopen en een gevaarlijke terugslag optreden met mogelijk ernstig persoonlijk letsel tot gevolg. Laat de aan-uitschakelaar los, wacht tot het zaagblad tot stilstand is gekomen en trek vervolgens het gereedschap terug. Lijn het gereedschap opnieuw uit met een nieuwe zaaglijn en begin weer te zagen. Probeer te vermijden dat door de positie van het gereedschap de gebruiker wordt blootgesteld aan zaagsel en spaanders die door het gereedschap worden uitgeworpen. Gebruik oogbescherming om verwonding te voorkomen.

Breedtegeleider (liniaal) (optioneel accessoire) (zie afb. 27)

Met de handige breedtegeleider kunt u extra nauwkeurig recht zagen. Schuif gewoon de breedtegeleider strak tegen de zijkant van het werkstuk en zet deze op zijn plaats vast met behulp van de klembout op de voorkant van de zool van het gereedschap. Op deze manier is het tevens mogelijk een zaagbeweging te herhalen met identieke breedte.

ONDERHOUD

⚠ LET OP:

- Controleer altijd of het gereedschap is uitgeschakeld en de accu is verwijderd alvorens enige werkzaamheden aan het gereedschap te verrichten.
- **Reinig de bovenste en onderste beschermkappen om er zeker van te zijn dat er geen opgehoopt zaagsel in zit dat de werking van het onderste beschermkapmechanisme kan hinderen.** Een vuil beschermkapmechanisme kan de goede werking hinderen, waardoor ernstig persoonlijk letsel kan ontstaan. De meest effectieve manier om dit reinigen uit te voeren is met perslucht. **Als het vuil uit de beschermkappen wordt geblazen, dient u geschikte oog- en ademhalingsbescherming te gebruiken.**
- Gebruik nooit benzine, wasbenzine, thinner, alcohol, enz. Dit kan leiden tot verkleuren, vervormen of barsten.

De nauwkeurigheid van de zaaghoeken 0° (verticaal) en 45° (verstek) instellen (zie afb. 28 en 29)

Deze instelling is reeds in de fabriek gemaakt. Maar als dit niet meer juist is, draait u de stelbouten met een inbusleutel terwijl u de zaaghoek van 0° of 45° tussen het zaagblad en de zool van het gereedschap controleert met behulp van een winkelhaak, geodriehoek, enz. Gebruik de 45°-aanslag om de hoek van 45° af te stellen.

De verstekschaalverdeling afstellen (zie afb. 30)

De verstekschaalverdeling is in de fabriek afgesteld. Maar als dit niet meer juist is, kunt u dit afstellen met de volgende procedure.

Om de verstekschaalverdeling af te stellen, draait u de twee bouten los. Lijn de 0°-lijn op de verstekschaalverdeling uit met de markering op de zool terwijl de zool is afgesteld op een hoek van 0°.

Om de VEILIGHEID en BETROUWBAARHEID van het gereedschap te handhaven, dienen alle reparaties, onderhoud en afstellingen te worden uitgevoerd door een erkend Makita-servicecentrum, en altijd met gebruikmaking van originele Makita-ervangingsonderdelen.

VERKRIJGBARE ACCESSOIRES

⚠ LET OP:

- Deze accessoires of hulpstukken worden aanbevolen voor gebruik met het Makita-gereedschap dat in deze gebruiksaanwijzing wordt beschreven. Het gebruik van andere accessoires of hulpstukken kan gevaar voor persoonlijk letsel opleveren. Gebruik de accessoires of hulpstukken uitsluitend voor de aangegeven gebruiksdoeleinden.

Mocht u meer informatie willen hebben over deze accessoires, dan kunt u contact opnemen met uw plaatselijke Makita-servicecentrum.

- Zaagblad
- Breedtegeleider (liniaal)
- Geleiderail
- Geleiderailadapter
- Liniaal
- Stofafzuigaansluitmond
- Inbusleutel
- Originele Makita-accu en -lader

OPMERKING:

- Sommige items op de lijst kunnen zijn inbegrepen in de doos van het gereedschap als standaard toebehoren. Zij kunnen van land tot land verschillen.

Geluid

ENG905-1

De typische, A-gewogen geluidsniveaus zijn gemeten volgens EN60745:

- Geluidsdrukniveau (L_{pA}): 83 dB (A)
- Geluidsvermogeniveau (L_{WA}): 94 dB (A)
- Onzekerheid (K): 3 dB (A)

Draag gehoorbescherming.

Trillingen

ENG900-1

De totale trillingswaarde (triaxiale vectorsom) zoals vastgesteld volgens EN60745:

- Gebruikstoepassing: zagen van hout
- Trillingsemmissie ($a_{h,w}$): 2,5 m/s² of lager
- Onzekerheid (K): 1,5 m/s²

ENG901-1

- De opgegeven trillingsemmissiewaarde is gemeten volgens de standaardtestmethode en kan worden gebruikt om dit gereedschap te vergelijken met andere gereedschappen.
- De opgegeven trillingsemmissiewaarde kan ook worden gebruikt voor een beoordeling vooraf van de blootstelling.

⚠ WAARSCHUWING:

- De trillingsemissie tijdens het gebruik van het elektrisch gereedschap in de praktijk kan verschillen van de opgegeven trillingsemissiewaarde afhankelijk van de manier waarop het gereedschap wordt gebruikt.
- Zorg ervoor dat veiligheidsmaatregelen worden getroffen ter bescherming van de operator die zijn gebaseerd op een schatting van de blootstelling onder praktijkomstandigheden (rekening houdend met alle fasen van de bedrijfscyclus, zoals de tijdsduur gedurende welke het gereedschap is uitgeschakeld en stationair draait, naast de ingeschakelde tijdsduur).

Alleen voor Europese landen

ENH101-18

EU-verklaring van conformiteit

Makita verklaart dat de volgende machine(s):

Aanduiding van de machine:

Accucirkelzaag

Modelnr./Type: DHS680

Voldoen aan de volgende Europese richtlijnen:

2006/42/EG

Deze zijn gefabriceerd in overeenstemming met de volgende normen of genormaliseerde documenten:

EN60745

Het technische bestand volgens 2006/42/EG is verkrijgbaar bij:

Makita, Jan-Baptist Vinkstraat 2, 3070, België

18. 3. 2014



Yasushi Fukaya

Directeur

Makita, Jan-Baptist Vinkstraat 2, 3070, België

ESPAÑOL (Instrucciones originales)

Explicación de los dibujos

- | | | |
|--------------------------------------|---------------------|----------------------------------|
| 1. Botón | 14. Tornillo | 27. Eje de montaje |
| 2. Indicador rojo | 15. Lámpara | 28. Anillo |
| 3. Cartucho de la batería | 16. Gancho | 29. Boquilla para el polvo |
| 4. Interruptor disparador | 17. Cerrar | 30. Aspirador |
| 5. Palanca de bloqueo | 18. Abrir | 31. Manguera |
| 6. Indicador de batería | 19. Llave hexagonal | 32. Tornillo de sujeción |
| 7. Indicador de modo | 20. Bloqueo del eje | 33. Tope lateral (Regla de guía) |
| 8. Palanca | 21. Apretar | 34. Tornillo de ajuste para 45° |
| 9. Guía de profundidad | 22. Aflojar | 35. Tornillo de ajuste para 0° |
| 10. Palanca delantera | 23. Brida interior | 36. Escuadra |
| 11. Tope | 24. Disco de sierra | 37. Guía de bisel |
| 12. Línea de corte (posición de 0°) | 25. Brida exterior | 38. Guía |
| 13. Línea de corte (posición de 45°) | 26. Perno hexagonal | |

ESPECIFICACIONES

| | | |
|-----------------------------|-------------------------|-------|
| Modelo | DHS680 | |
| Diámetro del disco | 165 mm | |
| Profundidad de corte máxima | a 0° | 57 mm |
| | a 45° | 41 mm |
| | a 50° | 37 mm |
| Velocidad en vacío | 5.000 min ⁻¹ | |
| Longitud total | 350 mm | |
| Peso neto | 3,3 kg | |
| Tensión nominal | CC 18 V | |

- Debido a nuestro programa continuo de investigación y desarrollo, las especificaciones aquí descritas están sujetas a cambios sin previo aviso.
- Las especificaciones y el cartucho de la batería pueden variar de un país a otro.
- Peso, con el cartucho de la batería, de acuerdo con el procedimiento EPTA 01/2003

Uso previsto

ENE078-2

La herramienta está diseñada para realizar cortes rectos y cortes a inglete longitudinal y transversalmente en madera mientras mantiene un firme contacto con la pieza de trabajo. Con discos de sierra originales de Makita adecuados también se pueden serrar otros materiales.

Advertencias de seguridad generales para herramientas eléctricas

GEA010-1

⚠ ADVERTENCIA Lea todas las advertencias de seguridad y todas las instrucciones. La no observancia de las advertencias y las instrucciones puede provocar descargas eléctricas, incendios y/o lesiones graves.

Guarde todas las advertencias e instrucciones para futuras consultas.

ADVERTENCIAS DE SEGURIDAD PARA LA SIERRA CIRCULAR INALÁMBRICA

GEB060-8

Procedimientos de corte

1. **⚠ PELIGRO: Mantenga las manos alejadas del área de corte y del disco. Mantenga la segunda mano en el mango auxiliar o en el alojamiento del motor.** Si sujeta la sierra con las dos manos, evitará la posibilidad de sufrir cortes del disco.
2. **Nunca se ponga debajo de la pieza de trabajo.** El protector no puede protegerle de la sierra debajo de la pieza de trabajo.
3. **Ajuste la profundidad de corte al grosor de la pieza de trabajo.** Debe verse menos de un diente del disco completo por debajo de la pieza de trabajo.
4. **Nunca sujete la pieza que se esté cortando con las manos o las piernas. Fije la pieza de trabajo a una plataforma estable.** Es importante sujetar la pieza de trabajo correctamente para minimizar la exposición del cuerpo, el agarrotamiento del disco o la pérdida de control. **(Fig. 1)**
Ilustración típica de la correcta colocación de las manos y del correcto soporte de la pieza de trabajo.
5. **Sujete la herramienta solamente por las superficies de agarre aisladas al realizar una operación en que la herramienta de corte pueda**

entrar en contacto con cables ocultos. Si entra en contacto con un cable con corriente, puede que las piezas metálicas expuestas de la herramienta eléctrica se carguen también de corriente y que el operario reciba una descarga eléctrica.

6. **Cuando corte al hilo, utilice siempre un tope lateral o una guía de borde recto.** Esto mejora la precisión del corte y reduce la posibilidad de que el disco se agarrote.
7. **Utilice siempre discos con la forma (diamante o redondo) y el tamaño correctos de los agujeros del eje del disco.** Los discos que no coincidan con los elementos de montaje de la sierra funcionarán de forma excéntrica, lo que causará una pérdida de control.
8. **Nunca utilice arandelas o pernos de disco dañados o incorrectos.** El perno y las arandelas del disco se han diseñado específicamente para su sierra, para una seguridad y un rendimiento óptimos.

Causas de contragolpes y advertencias al respecto

- Un contragolpe es una reacción repentina provocada por un disco de sierra mal alineado, comprimido por la madera o agarrotado en ella, que hace perder el control de la sierra y que ésta se levante y salte desde la pieza de trabajo hacia el operario.
- Cuando el corte comprime el disco al cerrarse o hace que este se agarrote, el disco se atasca y la reacción del motor empuja la unidad rápidamente hacia atrás, hacia el operario.
- Si el disco se tuerce o está mal alineado en el corte, los dientes de su borde posterior pueden clavarse en la superficie posterior de la madera, haciendo que el disco se salga del corte y salte hacia el operario.

El contragolpe es el resultado de un mal uso de la sierra o de condiciones o procedimientos de uso incorrectos y se puede evitar tomando las precauciones que se indican a continuación.

9. **Sujete la sierra firmemente con las dos manos y coloque sus brazos de forma que ofrezcan resistencia a las fuerzas de contragolpe. Coloque su cuerpo a un lado del disco, pero nunca en línea con él.** El contragolpe puede provocar que la sierra salte hacia atrás; no obstante, el operario puede controlar la fuerza del contragolpe si toma las precauciones adecuadas.
10. **Si el disco se agarrota o si se interrumpe el corte por cualquier motivo, suelte el disparador y mantenga la sierra quieta sobre el material hasta que el disco se detenga por completo. Nunca intente retirar la sierra de la pieza de trabajo ni tire de la sierra hacia atrás mientras el disco esté en movimiento ya que se podría producir un contragolpe.** Investigue la causa del agarrotamiento del disco y tome las acciones correctoras para eliminarlo.
11. **Cuando vuelva a poner en marcha la sierra sobre la pieza de trabajo, centre el disco de sierra en el corte y compruebe que sus dientes no estén en contacto con el material.** Si el disco de sierra se agarrota, puede escalar la pieza de trabajo o provocar un contragolpe cuando se vuelve a poner en marcha.
12. **Sujete los paneles grandes para minimizar el riesgo de que la madera comprima el disco y se produzca un contragolpe.** Los paneles grandes

tienden a hundirse bajo su propio peso. Deben colocarse soportes bajo el panel en ambos lados, cerca de la línea de corte y del borde del panel.

(Fig. 2 y 3)

Para evitar los contragolpes, sujete el tablero o el panel cerca del corte.

No sujete el tablero o el panel lejos del corte.

13. **No utilice discos romos o dañados.** Los discos sin afilar o mal montados hacen que la entalladura sea estrecha, lo que provoca una fricción excesiva, un agarrotamiento del disco y el contragolpe.
14. **Las palancas de bloqueo del ajuste de bisel y de profundidad del disco deben estar bien apretadas y seguras antes de realizar el corte.** Si el ajuste del disco cambia durante el corte, se puede producir agarrotamiento y contragolpes.
15. **Tenga especial cuidado cuando sierre en paredes u otras áreas ciegas.** El disco puede cortar objetos que pueden provocar contragolpes.
16. **Sujete SIEMPRE la herramienta firmemente con ambas manos. NUNCA coloque la mano o los dedos detrás de la sierra.** Si se produce un contragolpe, la sierra puede saltar fácilmente hacia atrás sobre su mano, lo que provocaría graves lesiones personales. **(Fig. 4)**
17. **No fuerce nunca la sierra. Empuje la sierra hacia delante a una velocidad en la que la sierra corte sin reducir su velocidad.** Si se fuerza la sierra, los cortes pueden ser desiguales, se puede perder precisión y se pueden producir contragolpes.

Función del protector inferior

18. **Compruebe si el protector inferior está bien cerrado antes de cada uso. No utilice la sierra si el protector inferior no se mueve libremente y no se cierra instantáneamente. Nunca sujete ni mantenga el protector inferior en la posición abierta.** Si la sierra cae accidentalmente, el protector inferior se puede doblar. Levante el protector inferior con el mango para retraerlo y asegúrese de que se mueva libremente y que no toque el disco ni ninguna otra parte, en todos los ángulos y profundidades de corte.
19. **Compruebe el funcionamiento del muelle del protector inferior. Si el protector y el muelle no funcionan correctamente, deben repararse antes de utilizar la herramienta.** El protector inferior puede funcionar con lentitud debido a piezas dañadas, depósitos pegajosos o acumulación de suciedad.
20. **El protector inferior puede retrasarse manualmente solo para cortes especiales como “cortes de inmersión” y “cortes compuestos”. Levante el protector inferior mediante el mango para retraerlo y cuando el disco entre en el material, debe soltarse el protector inferior.** Para todos los otros cortes con sierra, el protector inferior debe funcionar automáticamente.
21. **Compruebe siempre que el protector inferior cubra el disco antes de colocar la sierra sobre un banco o en el suelo.** Un disco sin proteger, que gire por inercia, puede hacer que la sierra se desplace hacia atrás, cortando lo que esté en su camino. Tenga en cuenta que el disco tarda un tiempo en detenerse después de soltar el interruptor.

22. **Para comprobar el protector inferior, ábralo a mano, suéltelo y compruebe si se cierra. Compruebe también que el mango, para retraerlo, no toque el alojamiento de la herramienta.** Dejar el disco al descubierto es MUY PELIGROSO y puede provocar graves lesiones personales.

Advertencias de seguridad adicionales

23. **Tenga especial cuidado cuando corte madera mojada, madera sometida a presión, o madera que contenga nudos.** Mantenga un avance suave de la herramienta sin reducir la velocidad del disco para evitar un sobrecalentamiento de las puntas del disco.
24. **No intente retirar material cortado cuando el disco se esté moviendo. Espere hasta que el disco se detenga antes de recoger el material cortado.** Los discos siguen girando por inercia después de apagar la herramienta.
25. **Evite cortar clavos. Compruebe si hay clavos y retírelos antes de realizar el corte.**
26. **Coloque la parte más ancha de la base de la sierra sobre la pieza de trabajo que está firmemente apoyada, no sobre la sección que caerá cuando se realice el corte.** Como ejemplos, la figura 5 ilustra la manera CORRECTA de cortar el extremo de un tablón y la figura 6, la manera INCORRECTA. Si la pieza de trabajo es corta o pequeña, sujétela con una abrazadera. ¡NO INTENTE SUJETAR LAS PIEZAS PEQUEÑAS CON LA MANO! (Fig. 5 y 6)
27. **Antes de dejar la herramienta tras completar un corte, asegúrese de que el protector inferior se haya cerrado y que el disco se haya detenido por completo.**
28. **Nunca intente serrar con la sierra circular boca arriba. Es extremadamente peligroso y puede provocar graves accidentes.** (Fig. 7)
29. **Algunos materiales contienen sustancias químicas que pueden ser tóxicas. Procure evitar la inhalación de polvo y el contacto con la piel. Siga los datos de seguridad del proveedor del material.**
30. **No detenga los discos mediante presión lateral sobre el disco de sierra.**
31. **No utilice discos abrasivos.**
32. **Utilice solo discos de sierra con el diámetro marcado en la herramienta o especificado en el manual.** El uso de un disco con un tamaño incorrecto puede afectar a la correcta protección del disco o al funcionamiento del protector, lo que puede provocar graves lesiones personales.
33. **Mantenga el disco limpio y afilado.** La goma y la resina de madera endurecidas sobre los discos ralentizan la sierra y aumentan el potencial de contragolpe. Para mantener el disco limpio, retírelo de la herramienta, límpielo con un producto para eliminar goma y resina, agua caliente o petróleo. Nunca utilice gasolina.
34. **Utilice una mascarilla antipolvo y protección para los oídos cuando utilice la herramienta.**

GUARDE ESTAS INSTRUCCIONES.

ADVERTENCIA:

NO deje que la comodidad o la familiaridad con el producto (a base de utilizarlo repetidamente)

sustituyan la estricta observancia de las normas de seguridad del producto en cuestión. El MAL USO o la no observancia de las normas de seguridad expuestas en este manual de instrucciones pueden ocasionar graves daños corporales.

INSTRUCCIONES DE SEGURIDAD IMPORTANTES

ENC007-8

PARA EL CARTUCHO DE LA BATERÍA

1. **Antes de utilizar el cartucho de la batería, lea todas las instrucciones y referencias de precaución que se encuentran en (1) el cargador de baterías, (2) la batería y (3) el producto que utiliza la batería.**
2. **No desmonte el cartucho de la batería.**
3. **Si el tiempo de funcionamiento es excesivamente corto, deje de utilizar la herramienta de inmediato. De lo contrario, existe el riesgo de sobrecalentamiento, quemaduras e incluso explosión.**
4. **Si se produce contacto ocular con electrolito, enjuáguese los ojos con agua limpia y acuda de urgencia al médico. Corre el riesgo de perder la visión.**
5. **No cortocircuite el cartucho de la batería:**
 - (1) **No toque los terminales con material conductor.**
 - (2) **Evite guardar el cartucho de la batería en un recipiente con otros objetos metálicos, como clavos, monedas, etc.**
 - (3) **No exponga el cartucho de la batería al agua o a la lluvia.**

Un cortocircuito puede provocar un elevado flujo de corriente, sobrecalentamiento, quemaduras o incluso una avería.
6. **No almacene la herramienta ni el cartucho de la batería en lugares donde la temperatura supere los 50 °C (122 ° F).**
7. **No queme el cartucho de la batería aunque esté gravemente dañado o completamente gastado. El cartucho de la batería puede explotar si entra en contacto con fuego.**
8. **Procure que la batería no sufra golpes ni caídas.**
9. **No utilice una batería dañada.**
10. **Siga las normativas locales relativas al desecho de la batería.**

GUARDE ESTAS INSTRUCCIONES.

Consejos para conseguir una mayor duración de la batería

1. **Cargue la batería antes de que se descargue por completo.**

Cuando observe que la herramienta tiene menos potencia, deje de utilizarla y cargue el cartucho de la batería.

2. **No recargue nunca un cartucho de batería completamente cargado. La sobrecarga acorta la vida útil de la batería.**
3. **Cargue el cartucho de la batería a una temperatura ambiente que oscile entre 10 °C y 40 °C (50 °F - 104 °F). Antes de cargar un cartucho de batería caliente, deje que se enfríe.**
4. **Cargue la batería una vez cada seis meses si no la utiliza durante un periodo de tiempo prolongado.**

DESCRIPCIÓN DEL FUNCIONAMIENTO

⚠ PRECAUCIÓN:

- Antes de ajustar o comprobar la herramienta, asegúrese siempre de que esté apagada y de que el cartucho de la batería se haya extraído.

Instalación o extracción del cartucho de la batería (Fig. 8)

⚠ PRECAUCIÓN:

- Apague siempre la herramienta antes de instalar o extraer el cartucho de la batería.
- **Sujete la herramienta y el cartucho de la batería firmemente cuando instale o extraiga el cartucho de la batería.** Si no sujeta la herramienta y el cartucho de la batería firmemente, pueden resbalar de sus manos y se pueden provocar daños en la herramienta y el cartucho de la batería y lesiones personales.

Para quitar el cartucho de la batería, mantenga pulsado el botón de la parte frontal del cartucho y retírelo.

Para instalar el cartucho de la batería, alinee la lengüeta situada en el cartucho de la batería con la ranura del chasis e insértelo. Insértelo completamente hasta que quede firmemente encajado con un clic. Si puede ver el indicador rojo de la zona superior del botón, significa que el cartucho no está encajado completamente.

⚠ PRECAUCIÓN:

- Instale siempre completamente el cartucho de la batería de forma que el indicador rojo quede oculto. De lo contrario, el cartucho puede desprenderse accidentalmente de la herramienta y causar lesiones al operario o a alguna persona que se encuentre cerca.
- No presione excesivamente el cartucho de la batería para instalarlo. Si el cartucho no entra con suavidad, significa que no lo está instalando correctamente.

NOTA:

- Si el cartucho de la batería no se puede extraer fácilmente, empújelo desde el lado opuesto del botón y deslícelo.

Acción del interruptor

⚠ PRECAUCIÓN:

- Antes de instalar el cartucho de la batería en la herramienta, asegúrese siempre de que el interruptor disparador funciona como es debido y que vuelve a la posición "OFF" (apagado) al soltarlo.
- No tire con fuerza del interruptor disparador sin presionar la palanca de bloqueo. Podría romper el interruptor. (Fig. 9)

Para evitar que el interruptor disparador se accione accidentalmente se proporciona una palanca de bloqueo. Para poner en marcha la herramienta, presione la palanca de bloqueo y tire del interruptor disparador. Suelte el interruptor disparador para detener la herramienta.

⚠ ADVERTENCIA:

- Por su seguridad, esta herramienta está equipada con una palanca de bloqueo que impide que la herramienta se ponga en marcha de forma accidental. NUNCA utilice la herramienta si funciona simplemente pulsando el interruptor disparador sin presionar la palanca de bloqueo. Lleve la herramienta a un centro de servicio MAKITA para las reparaciones necesarias ANTES de seguir utilizándola.
- NUNCA fije con cinta adhesiva ni impida el funcionamiento ni la finalidad de la palanca de bloqueo.

Indicación de la capacidad restante de la batería (Fig. 10)

Cuando encienda la herramienta, el indicador de batería mostrará la capacidad de la batería restante. La capacidad de la batería restante se mostrará como en la siguiente tabla.

| Estado del indicador de batería | | | Capacidad restante de la batería |
|---------------------------------|------------|-------------|----------------------------------|
| ■: Encendido | □: Apagado | ▒: Parpadea | |
| | | | 50% - 100% |
| | | | 20% - 50% |
| | | | 0% - 20% |
| | | | Cargue la batería |

015146

Función de cambio de velocidad automático (Fig. 11)

| Estado del indicador de modo | | Modo de utilización |
|------------------------------|--|------------------------|
| | | Modo de alta velocidad |
| | | Modo de alto par |

015137

Esta herramienta tiene un "modo de alta velocidad" y un "modo de alto par". Cambia automáticamente de modo de utilización en función de la carga de trabajo. Cuando el indicador de modo se enciende durante la utilización, la herramienta está en modo de alto par.

Sistema de protección de la herramienta/batería

La herramienta está equipada con un sistema de protección de la herramienta/batería. Este sistema corta automáticamente la alimentación al motor para ampliar la duración de la herramienta y la batería. El funcionamiento de la herramienta se detendrá automáticamente si la herramienta o la batería están sometidas a las siguientes condiciones: En algunas condiciones, el indicador se enciende.

Protección contra la sobrecarga

Cuando la herramienta se utilice de una forma que haga que consuma una cantidad anormalmente alta de corriente, la herramienta se detendrá automáticamente sin indicaciones. En ese caso, apague la herramienta y detenga la aplicación que hizo que la herramienta se sobrecargara. A continuación, encienda la herramienta para reiniciar las operaciones.

Protección contra el sobrecalentamiento de la herramienta

Cuando la herramienta se sobrecaliente, la herramienta se detendrá automáticamente y el indicador de batería mostrará el siguiente estado. En ese caso, deje que la herramienta se enfríe antes de volver a encenderla.

| | | | |
|----------------------|-------------------------------------|-----------|------------|
| Indicador de batería | : Encendido | : Apagado | : Parpadea |
| | La herramienta se ha sobrecalentado | | |

015145

Liberación del bloqueo de protección

Cuando el sistema de protección se acciona de forma repetida, la herramienta se bloquea y el indicador de batería muestra el siguiente estado.

| | | | |
|----------------------|--------------------------------|-----------|------------|
| Indicador de batería | : Encendido | : Apagado | : Parpadea |
| | Bloqueo de protección activado | | |

015201

En esta situación, la herramienta no se pone en marcha aunque se encienda y se apague. Para liberar el bloqueo de protección, retire la batería, colóquela en el cargador de la batería y espere hasta que finalice la carga.

Ajuste de la profundidad de corte

PRECAUCIÓN:

- Después de ajustar la profundidad de corte, apriete siempre la palanca con firmeza.

Afloje la palanca del lateral del mango posterior y mueva la base hacia arriba o hacia abajo. Cuando haya alcanzado la profundidad de corte deseada, fije la base apretando la palanca. (Fig. 12)

Para lograr cortes más limpios y seguros, fije la profundidad de corte de forma que no sobresalga más de un diente del disco por debajo de la pieza de trabajo. El

uso de una profundidad de corte correcta ayuda a reducir la posibilidad de peligrosos CONTRAGOLPES que pueden provocar lesiones personales.

Corte en bisel

Afloje la palanca delantera. Ajuste el ángulo deseado ($0^\circ - 50^\circ$) mediante la inclinación que corresponda y apriete la palanca delantera firmemente. (Fig. 13)

Utilice el tope de 45° cuando tenga que realizar cortes en un ángulo de 45° . Gire el tope completamente en el sentido contrario de las agujas del reloj para un corte en bisel ($0^\circ - 45^\circ$) y gírelo en el sentido de las agujas del reloj para cortes en bisel de $0^\circ - 50^\circ$. (Fig. 14)

Visor (Fig. 15)

Para cortes rectos, alinee la posición de 0° en la parte delantera de la base con la línea de corte. Para cortes en bisel de 45° , alinee la posición de 45° con la línea de corte. La posición de la guía superior se puede ajustar.

Encendido de la lámpara

PRECAUCIÓN:

- No mire hacia la lámpara ni mire directamente hacia la fuente de la lámpara. (Fig. 16)

Para encender sólo la lámpara, tire del interruptor disparador sin presionar la palanca de bloqueo. Para encender la lámpara y utilizar la herramienta, presione la palanca de bloqueo y tire del interruptor disparador mientras mantiene presionada la palanca de bloqueo. La lámpara permanece encendida mientras se acciona el interruptor disparador. La lámpara se apaga entre 10 y 15 segundos después de soltar el disparador.

NOTA:

- Utilice un paño seco para limpiar la suciedad la lente de la lámpara. Procure no rayar la lente de la lámpara, puesto que puede disminuir el grado de iluminación.
- No utilice gasolina, disolvente ni ningún producto similar para limpiar la lente de la lámpara. El uso de tales sustancias dañará la lente.

Gancho

PRECAUCIÓN:

- Retire siempre la batería cuando cuelgue la herramienta mediante el gancho.
- No cuelgue nunca la herramienta en un lugar elevado o en una superficie potencialmente inestable.

El gancho es útil para colgar la herramienta temporalmente. Para utilizar el gancho, simplemente debe girarlo hasta que se coloque en la posición de apertura con un golpe seco.

Cuando no lo utilice, gire el gancho hasta que se coloque en la posición de cierre con un golpe seco. (Fig. 17)

MONTAJE

PRECAUCIÓN:

- Asegúrese siempre de apagar la herramienta y extraer el cartucho de la batería antes de intentar realizar cualquier tipo de operación en la herramienta.

Extracción o instalación del disco de sierra

PRECAUCIÓN:

- Asegúrese de que el disco esté instalado con los dientes apuntando hacia la parte delantera de la herramienta.
- Utilice sólo la llave de Makita para instalar o extraer el disco.

Para extraer el disco, ejerza presión sobre el bloqueo del eje para que el disco no pueda girar y utilice la llave para aflojar el perno hexagonal en el sentido de las agujas del reloj. A continuación, quite el perno hexagonal, la brida exterior y el disco. (Fig. 18 y 19)

Para instalar el disco, siga el procedimiento de extracción a la inversa. **ASEGÚRESE DE APRETAR FIRMEAMENTE EL PERNO HEXAGONAL EN EL SENTIDO CONTRARIO A LAS AGUJAS DEL RELOJ.**

Cuando cambie el disco, asegúrese de limpiar también los protectores superior e inferior del disco de serrín acumulado, tal y como se indica en la sección de mantenimiento. Tales esfuerzos no sustituyen la necesidad de comprobar el funcionamiento del protector inferior antes de cada uso.

Para la herramienta con la brida interior para un disco de sierra de diámetro de orificio diferente de 15,88 mm

PRECAUCIÓN:

- **Asegúrese de que el saliente “a” de la brida interior que se coloca fuera encaje perfectamente en el orificio “a” del disco de sierra.** Si monta el disco en el lado incorrecto pueden producirse vibraciones peligrosas.

La brida interior tiene un saliente de cierto diámetro en un lado y un saliente de diferente diámetro en el otro lado. Elija el lado correcto en el que encaja el saliente en el orificio del disco de sierra de forma perfecta.

A continuación, monte la brida interior en el eje de montaje de forma que el lado correcto del saliente de la brida interior mire hacia fuera y después coloque el disco de sierra y la brida exterior. (Fig. 20) **ASEGÚRESE DE APRETAR FIRMEAMENTE EL PERNO HEXAGONAL EN EL SENTIDO CONTRARIO A LAS AGUJAS DEL RELOJ.**

Para la herramienta con la brida interior para disco de sierra con un diámetro de orificio de 15,88 mm (específico del país) (Fig. 21 y 22)

Monte la brida interior con el saliente hacia fuera en el eje de montaje y después coloque el disco de sierra (con el anillo acoplado si es necesario), la brida exterior y el perno hexagonal.

ASEGÚRESE DE APRETAR FIRMEAMENTE EL PERNO HEXAGONAL EN EL SENTIDO CONTRARIO A LAS AGUJAS DEL RELOJ.

ADVERTENCIA:

- **Antes de montar el disco en el eje, asegúrese siempre de que esté instalado entre las bridas interior y exterior en el anillo correcto para el agujero del disco que vaya a utilizar.** El uso del anillo incorrecto para el agujero del disco puede provocar el montaje incorrecto del disco, provocando el movimiento del disco, y las fuertes vibraciones pueden

provocar una pérdida de control durante el uso y graves lesiones personales.

Almacenamiento de la llave hexagonal (Fig. 23)

Cuando no la utilice, guarde la llave hexagonal como se muestra en la figura para evitar que se pierda.

Conexión de una aspiradora (sólo para países europeos) (Fig. 24 y 25)

Si desea realizar una operación de corte limpio, conecte una aspiradora Makita a la herramienta.

Instale la boquilla para el polvo en la herramienta utilizando el tornillo. A continuación, conecte una manguera de la aspiradora a la boquilla para el polvo como se muestra en la figura.

FUNCIONAMIENTO

PRECAUCIÓN:

- Asegúrese de desplazar la herramienta suavemente hacia delante en línea recta. Si se fuerza o se retuerce la herramienta se provocará un sobrecalentamiento del motor y un peligroso contragolpe, que puede causar graves lesiones personales.
- Utilice siempre la empuñadura delantera y sujete firmemente la herramienta por la empuñadura delantera y por el mango trasero durante el funcionamiento. (Fig. 26)

Sujete con fuerza la herramienta. La herramienta se suministra con una empuñadura delantera y un mango trasero. Utilice ambos elementos para sujetar mejor la herramienta. Si sujeta la sierra con las dos manos, no podrá sufrir cortes del disco. Coloque la base sobre la pieza de trabajo que debe cortarse sin que el disco realice ningún contacto. A continuación, encienda la herramienta y espere hasta que el disco alcance la velocidad máxima. Ahora sólo tiene que empujar la herramienta hacia delante sobre la superficie de la pieza de trabajo, manteniéndola plana y avanzando suavemente hasta que el proceso de serrado se haya completado.

Para obtener cortes limpios, mantenga la línea de serrado recta y la velocidad de avance uniforme. Si el corte no sigue correctamente la línea de corte prevista, no intente girar la herramienta ni la fuerce para volver a la línea de corte. El disco puede agarrarse y provocar peligrosos contragolpes y posibles lesiones graves. Suelte el interruptor, espere a que el disco se pare y retire la herramienta. Vuelva a alinear la herramienta sobre la línea de corte y reinicie el corte. Intente no colocarse en una postura que exponga al operario a astillas y serrín que se expulsan desde la sierra. Utilice protección ocular para evitar lesiones.

Tope lateral (Regla de guía) (accesorio opcional) (Fig. 27)

El útil tope lateral permite realizar cortes rectos de gran precisión. Sólo tiene que deslizar el tope lateral cómodamente hasta el lateral de la pieza de trabajo y fijarlo en posición con el tornillo de sujeción de la parte delantera de la base. También hace que los cortes repetidos sean del ancho más uniforme posible.

MANTENIMIENTO

PRECAUCIÓN:

- Asegúrese siempre de apagar la herramienta y extraer el cartucho de la batería antes de intentar realizar cualquier tipo de operación en la herramienta.
- **Limpie los protectores superior e inferior para asegurarse de que no se haya acumulado serrón, lo que podría impedir el funcionamiento del sistema de protección inferior.** Un sistema de protección sucio puede limitar el funcionamiento correcto, lo que podría provocar graves lesiones personales. La forma más efectiva de realizar la limpieza es utilizar aire comprimido. **Si está soplando el polvo para retirarlo de los protectores, asegúrese de utilizar una protección adecuada para los ojos y el sistema respiratorio.**
- Nunca utilice gasolina, benceno, disolvente, alcohol o un producto similar. Se puede provocar una decoloración, una deformación o grietas.

Ajuste de la precisión de corte de 0° y 45° (corte de 45° y vertical) (Fig. 28 y 29)

Este ajuste se ha realizado en fábrica. No obstante, está desactivado. Ajuste la posición de los tornillos del disco mientras realiza una inspección a 0° o 45° respecto a la base, mediante una escuadra o una regla, etc. Utilice el tope 45° para el ajuste a 45°.

Ajuste de la guía de bisel (Fig. 30)

La guía de bisel se ha ajustado en fábrica. Sin embargo, si está desajustada, puede ajustarla siguiendo este procedimiento.

Para ajustar la guía de bisel, aloje los dos tornillos. Alinee la línea de 0° en la guía de bisel con la guía en la base cuando la base se ajuste en un ángulo de 0°.

Para mantener la SEGURIDAD y la FIABILIDAD del producto, las reparaciones y cualquier otra tarea de mantenimiento o ajuste deberán ser realizadas en centros de servicio autorizados por Makita, utilizando siempre repuestos Makita.

ACCESORIOS OPCIONALES

PRECAUCIÓN:

- Se recomienda el uso de estos accesorios o complementos con la herramienta Makita especificada en este manual. El uso de otros accesorios o complementos puede conllevar el riesgo de ocasionar daños corporales. Utilice los accesorios o complementos solamente para su fin establecido.

Si necesita cualquier ayuda para obtener más información relativa a estos accesorios, pregunte a su centro de servicio Makita local.

- Discos de sierra
- Tope lateral (Regla de guía)
- Carril de guía
- Adaptador para carril de guía
- Barra de regla
- Boquilla para el polvo
- Llave hexagonal
- Batería y cargador originales de Makita

NOTA:

- Algunos elementos de la lista se pueden incluir en el paquete de la herramienta como accesorios estándar. Pueden ser diferentes de un país a otro.

Ruido

ENG905-1

Niveles típicos de ruido ponderado A determinados conforme a EN60745:

Nivel de presión de sonido (L_{pA}): 83 dB (A)

Nivel de potencia sonora (L_{WA}): 94 dB (A)

Incertidumbre (K): 3 dB (A)

Utilice protección para los oídos.

Vibración

ENG900-1

Valor total de la vibración (suma de vectores triaxiales) determinado según el estándar EN60745:

Modo de trabajo: corte de madera

Emisión de vibraciones ($a_{h,w}$): 2,5 m/s² o menos

Incertidumbre (K): 1,5 m/s²

ENG901-1

- El valor de emisión de vibraciones se ha medido de acuerdo con el método de prueba estándar y se puede utilizar para comparar herramientas.
- El valor de emisión de vibraciones declarado también se puede usar en una evaluación preliminar de la exposición.

ADVERTENCIA:

- La emisión de vibraciones durante el uso de la herramienta eléctrica puede diferir del valor de emisiones declarado, dependiendo de las formas en que se utiliza la herramienta.
- Asegúrese de identificar las mediciones correctas para proteger al operario, que se basan en una estimación de la exposición en condiciones de uso reales (teniendo en cuenta todas las partes del ciclo de operaciones, como los momentos en los que la herramienta está apagada y cuando funciona al ralentí además del tiempo en que está activado el interruptor).

Solo para países europeos

ENH101-18

Declaración de conformidad de la CE

Makita declara que las siguientes máquinas:

Designación de la máquina:

Sierra Circular Inalámbrica

Nº de modelo/Tipo: DHS680

Cumplen con las siguientes Directivas europeas:

2006/42/CE

Se han fabricado de acuerdo con los siguientes

estándares o documentos estandarizados:

EN60745

El archivo técnico de acuerdo con 2006/42/CE está disponible en:

Makita, Jan-Baptist Vinkstraat 2, 3070, Bélgica

18. 3. 2014



Yasushi Fukaya

Director

Makita, Jan-Baptist Vinkstraat 2, 3070, Bélgica

PORTUGUÊS (Instruções de origem)

Descrição geral

- | | | |
|----------------------------------|------------------------|--|
| 1. Botão | 14. Parafuso | 27. Veio de montagem |
| 2. Indicador vermelho | 15. Lâmpada | 28. Anel |
| 3. Bateria | 16. Gancho | 29. Bico do pó |
| 4. Gatilho | 17. Fechar | 30. Aspirador de pó |
| 5. Alavanca de bloqueio | 18. Abrir | 31. Tubo flexível |
| 6. Indicador da bateria | 19. Chave sextavada | 32. Parafuso de fixação |
| 7. Indicador de modo | 20. Bloqueio do veio | 33. Vedação para escarificação (guia paralela) |
| 8. Alavanca | 21. Apertar | 34. Parafuso de regulação para 45° |
| 9. Guia de profundidade | 22. Desapertar | 35. Parafuso de regulação para 0° |
| 10. Alavanca dianteira | 23. Flange interior | 36. Guia triangular |
| 11. Batente | 24. Lâmina da serra | 37. Guia em bisel |
| 12. Linha de corte (Posição 0°) | 25. Flange exterior | 38. Guia |
| 13. Linha de corte (Posição 45°) | 26. Parafuso sextavado | |

ESPECIFICAÇÕES

| | | |
|------------------------------|-------------------------|-------|
| Modelo | DHS680 | |
| Diâmetro da lâmina | 165 mm | |
| Profundidade máxima de corte | a 0° | 57 mm |
| | a 45° | 41 mm |
| | a 50° | 37 mm |
| Velocidade sem carga | 5.000 min ⁻¹ | |
| Comprimento total | 350 mm | |
| Peso líquido | 3,3 kg | |
| Tensão nominal | C.C. 18 V | |

- Devido à pesquisa e desenvolvimento constantes, estas especificações estão sujeitas a alteração sem aviso prévio.
- As especificações e o cartucho da bateria podem ser diferentes consoante o país.
- Peso, com a bateria, de acordo com o procedimento EPTA de 01/2003

Utilização prevista

ENE078-2

Esta ferramenta destina-se a efectuar cortes rectos ao comprido e laterais e cortes angulares em madeira, mantendo um contacto firme com a peça de trabalho. Com lâminas de serra genuínas da Makita adequadas, também podem ser serrados outros materiais.

Avisos gerais de segurança para ferramentas eléctricas

GEA010-1

⚠ AVISO Leia todos os avisos de segurança e todas as instruções. O não cumprimento dos avisos e instruções pode resultar na ocorrência de choques eléctricos, incêndios e/ou ferimentos graves.

Guarde todos os avisos e instruções para referência futura.

AVISOS DE SEGURANÇA DA SERRA CIRCULAR A BATERIA

GEB060-8

Procedimentos de corte

1. **⚠ PERIGO:** Mantenha as mãos afastadas da área de corte e da lâmina. Mantenha a outra mão na pega auxiliar ou caixa do motor. Se ambas as mãos estiverem a segurar a serra, não podem ser cortadas pela lâmina.
2. **Não coloque as mãos por baixo da peça de trabalho.** O resguardo não o pode proteger da lâmina debaixo da peça de trabalho.
3. **Ajuste a profundidade de corte para a espessura da peça de trabalho.** Deve ser visível menos do que um dente completo dos dentes da lâmina abaixo da peça de trabalho.
4. **Nunca coloque a peça que está a ser cortada nas mãos ou em cima das pernas. Fixe a peça de trabalho a uma plataforma estável.** É importante suportar correctamente a peça de trabalho para minimizar a exposição do corpo, dobragem da lâmina ou perda de controlo. **(Fig. 1)**
Uma ilustração típica do suporte adequado para as mãos e peça de trabalho.
5. **Quando executar operações em que a máquina de corte possa entrar em contacto com fios eléctricos ocultos, tenha o cuidado de tocar apenas nas superfícies isoladas da máquina.** Se entrar em contacto com um cabo sob tensão, as partes metálicas expostas da ferramenta eléctrica podem ficar igualmente sob tensão, podendo provocar um choque eléctrico no operador.
6. **Quando escarificar, utilize sempre uma vedação para escarificação ou guia de margem direita.** Isto melhora a precisão do corte e reduz as possibilidades de dobragem da lâmina.

7. **Utilize sempre lâminas com o tamanho e forma correctos (diamante em vez de redondo) dos orifícios de alojamento.** As lâminas que não correspondam ao hardware de instalação da serra funcionarão de forma excêntrica, provocando uma perda de controlo.
8. **Nunca utilize anilhas ou parafusos de lâmina danificados ou incorrectos.** As anilhas e parafusos da lâmina foram concebidos especificamente para a sua serra, para uma utilização ideal e segurança de funcionamento.

Causas de recuos e avisos relacionados

- o recuo é uma reacção súbita a uma lâmina de serra atarracada, empenada ou não alinhada, fazendo com que uma serra não controlada se levante para fora da peça de trabalho, na direcção do operador;
- quando a lâmina está atarracada ou bastante presa pelo corte a fechar, a lâmina pára e a reacção do motor atira a rapidamente a unidade na direcção do operador;
- se a lâmina fica torta ou não alinhada no corte, os dentes na parte posterior da lâmina podem enterrar-se na superfície superior da madeira, fazendo com que a lâmina suba para fora do corte e salte na direcção do operador.

O recuo é o resultado da má utilização da serra e/ou procedimentos de funcionamento incorrectos e pode ser evitado tomando as devidas precauções, tal como indicado em baixo.

9. **Agarre bem a serra com ambas as mãos e posicione os braços para resistir às forças de recuo. Posicione o seu corpo para um dos lados da lâmina, mas não alinhado com a lâmina.** O recuo pode fazer com que a lâmina salte para trás, mas as forças de recuo podem ser controladas pelo operador, se forem tomadas as devidas precauções.
10. **Quando a lâmina estiver a dobrar ou quando interromper um corte por qualquer razão, solte o gatilho e segure na serra sem a mexer no material, até que a lâmina pare completamente. Nunca tente remover a serra da peça de trabalho ou puxar a serra para trás enquanto a lâmina se estiver a mover, caso contrário, poderá ocorrer um recuo.** Investigue e tome acções correctivas para eliminar a causa da dobragem da lâmina.
11. **Quando reiniciar uma serra na peça de trabalho, centre a lâmina da serra no corte e verifique se os dentes da serra não estão presos ao material.** Se a lâmina da serra estiver a dobrar, poderá levantar ou recuar da peça de trabalho, quando a serra é reiniciada.
12. **Dê suporte aos painéis de grandes dimensões, para minimizar o risco de atarracar a lâmina e de recuo.** Os painéis de grandes dimensões tendem a abater sob o seu próprio peso. Os suportes devem ser colocados debaixo do painel em ambos os lados, perto da linha de corte e perto da margem da extremidade do painel. (Fig. 2 e 3)
**Para evitar recuo, dê suporte à prancha ou painel perto do corte.
 Não suporte a prancha ou painel longe do corte.**
13. **Não utilize lâminas rombas ou danificadas.** As lâminas rombas ou incorrectamente configuradas

produzem um corte estreito, causando fricção excessiva, dobragem da lâmina e recuo.

14. **As alavancas de regulação da profundidade da lâmina e bisel devem estar apertadas e fixas antes de cortar.** Se a regulação da lâmina mudar durante o corte, pode provocar a dobragem da lâmina e recuo.
15. **Tenha um cuidado especial quando serrar paredes existentes ou outras zonas cegas.** A lâmina saliente pode cortar objectos que provocam recuo.
16. **Segure SEMPRE a ferramenta com firmeza, com as duas mãos. NUNCA coloque a mão ou dedos atrás da serra.** Se ocorrer recuo, a serra pode facilmente saltar para trás para cima da mão, provocando ferimentos graves. (Fig. 4)
17. **Nunca force a serra. Empurre a serra para a frente devagar, de forma a que a lâmina corte sem abrandar.** Forçar a serra pode causar cortes irregulares, perda de precisão e possível recuo.

Função do resguardo inferior

18. **Verifique se o resguardo da lâmina fecha correctamente antes de cada utilização. Não accione a serra se o resguardo inferior não se mover livremente e não se fechar imediatamente. Nunca prenda ou amarre o resguardo inferior na posição aberta.** Se a serra cair acidentalmente, o resguardo inferior pode estar dobrado. Levante o resguardo inferior com a alavanca de recolha e certifique-se de que se move livremente e não toca na lâmina ou qualquer outra parte, em todos os ângulos e profundidades de corte.
19. **Verifique o funcionamento da mola do resguardo inferior. Se o resguardo e a mola não estiverem a funcionar correctamente, deve ser efectuada uma operação de manutenção antes de utilizar.** O resguardo inferior pode funcionar de forma lenta devido a peças danificadas, depósitos aderentes ou acumulação de resíduos.
20. **O resguardo inferior deve ser recolhido manualmente, apenas para cortes especiais tais como “cortes a fundo” e “cortes compostos”. Levante o resguardo inferior utilizando a alavanca de recolha logo que a lâmina entre no material, o resguardo deve ser libertado.** Para todas as outras operações de serragem, o resguardo inferior deve funcionar automaticamente.
21. **Verifique sempre se o resguardo inferior está a cobrir a lâmina antes de apoiar a lâmina num banco ou chão.** Uma lâmina desprotegida e a abrandar fará com que a serra avance para trás, cortando tudo o que estiver no seu caminho. Tenha em conta o tempo que a lâmina demora a parar após o interruptor ser libertado.
22. **Para verificar o resguardo inferior, abra-o à mão e solte, verificando se fecha correctamente. Verifique igualmente se a alavanca de recolha não toca na caixa da ferramenta.** Deixar a lâmina exposta é MUITO PERIGOSO e pode levar a ferimentos pessoais graves.

Avisos de segurança adicionais

23. **Tenha muito cuidado quando cortar madeira húmida, madeira com tratamento de pressão ou madeira com nós.** Mantenha um avanço suave da

ferramenta sem diminuir a velocidade da lâmina para evitar sobreaquecer as pontas das lâminas.

24. **Não tente remover material cortado quando a lâmina se estiver a mover. Aguarde até que as lâminas parem antes de retirar material cortado.** As lâminas continuam a funcionar após a desligação.
25. **Evite cortar pregos. Verifique e remova quaisquer pregos da madeira antes de cortar.**
26. **Coloque a parte mais larga da base da serra nessa parte da peça de trabalho que está bem apoiada e não na secção que cairá quando o corte for efectuado. Como exemplos, a Fig. 5 ilustra a foram CORRECTA de cortar a extremidade de uma prancha e a Fig. 6 a forma INCORRECTA. Se a peça de trabalho for curta ou pequena, fixe-a. NÃO TENTE SEGURAR AS PEÇAS CURTAS COM A MÃO! (Fig. 5 e 6)**
27. **Antes de pousar a ferramenta após concluir um corte, certifique-se de que o resguardo inferior está fechado e se a lâmina parou completamente.**
28. **Nunca tente serrar com a serra circular virada ao contrário num torno. Isto é extremamente perigoso e pode levar a acidentes graves. (Fig. 7)**
29. **Alguns materiais contêm químicos que podem ser tóxicos. Tenha cuidado para evitar a inalação e o contacto da pele com o pó produzido. Obedeça às instruções de segurança do fornecedor do material.**
30. **Não pare as lâminas utilizando pressão lateral na lâmina da serra.**
31. **Não utilize quaisquer rodas abrasivas.**
32. **Apenas utilize a lâmina da serra com o diâmetro assinalado na ferramenta ou especificado no manual.** A utilização de uma lâmina de tamanho incorrecto pode afectar a protecção adequada da lâmina ou o funcionamento do resguardo, o que pode resultar em ferimentos pessoais graves.
33. **Mantenha a lâmina afiada e limpa.** A goma e nós da madeira duros nas lâminas abrandam a serra e aumentam o potencial de recuo. Mantenha a lâmina limpa removendo-a da ferramenta e limpando-a com removedor de goma e crude, água quente ou querosene. Nunca utilize gasolina.
34. **Use uma máscara contra o pó e protecção para os ouvidos quando utilizar a ferramenta.**

GUARDE ESTAS INSTRUÇÕES.

AVISO:

NÃO deixe que o conforto ou familiaridade com o produto (obtida de uma utilização regular) substituam um cumprimento severo das regras de segurança do produto em causa. Uma UTILIZAÇÃO INCORRECTA ou não cumprimento das regras de segurança indicadas neste manual de instruções podem provocar ferimentos pessoais sérios.

INSTRUÇÕES DE SEGURANÇA IMPORTANTES

ENC007-8

RELATIVAS À BATERIA

1. **Antes de utilizar a bateria, leias as instruções e chamadas de atenção sobre: (1) o carregador da**

bateria, (2) a bateria e (3) o produto que utiliza a bateria.

2. **Não desmonte a bateria.**
3. **Se o tempo de utilização com a bateria se tornar demasiado curto, deve parar imediatamente. Se continuar, pode causar sobreaquecimento, incêndio e mesmo explosão.**
4. **Se o electrólito entrar em contacto com os olhos, enxágue-os com água limpa e consulte imediatamente um médico. Os riscos incluem perda de visão.**
5. **Não provoque um curto-circuito na bateria:**
 - (1) **Não** deixe que quaisquer materiais condutores entrem em contacto com os terminais da bateria.
 - (2) **Evite** guardar a bateria juntamente com outros objectos de metal como pregos, moedas, etc.
 - (3) **Não** exponha a bateria a água ou chuva. Um curto-circuito na bateria pode criar uma grande carga eléctrica, sobreaquecimento, possíveis queimaduras e mesmo uma avaria.
6. **Não** guarde a ferramenta e a bateria em locais onde a temperatura possa atingir ou exceder 50°C (122°F).
7. **Não** incinere a bateria, nem mesmo se esta estiver irremediavelmente danificada ou completamente gasta. Pode explodir num incêndio.
8. **Não** a deixe cair e evite o choque com outros objectos.
9. **Não** utilize uma bateria danificada.
10. **Siga** os regulamentos locais relacionados com a eliminação da bateria.

GUARDE ESTAS INSTRUÇÕES.

Sugestões para o máximo de tempo de vida da bateria

1. **Não** espere que a bateria se gaste completamente para voltar a carregá-la. Pare a ferramenta e carregue a bateria sempre que detectar um baixo nível de energia.
2. **Nunca** volte a carregar uma bateria já completamente carregada. O carregamento excessivo diminui o tempo de vida das baterias.
3. **Carregue** a bateria em locais onde a temperatura se situe entre 10°C e 40°C (50°F - 104°F). Se a bateria estiver quente, deixe-a arrefecer antes de iniciar o carregamento.
4. **Carregue** a bateria uma vez a cada seis meses se não a utilizar durante um longo período.

DESCRIÇÃO DO FUNCIONAMENTO

PRECAUÇÃO:

- **Certifique-se** sempre de que a ferramenta está desligada e de que a bateria é removida antes de proceder a ajustes ou testar a ferramenta.

Instalar ou retirar a bateria (Fig. 8)

⚠️ PRECAUÇÃO:

- Desligue sempre a ferramenta antes de instalar ou retirar a bateria.
- Segure bem a ferramenta e a bateria ao instalar ou retirar a bateria.** Se não segurar bem a ferramenta e a bateria, pode fazer com que caiam das mãos e provoquem danos na ferramenta e na bateria e ferimentos pessoais.

Para retirar a bateria, mantenha premido o botão na frente da bateria e puxe.

Para colocar a bateria, alinhe a respectiva saliência com a calha do compartimento e encaixe-a suavemente. Insira-a completamente até fixar em posição com um clique. Se ainda estiver visível o indicador vermelho na parte superior do botão, não estará bem encaixado.

⚠️ PRECAUÇÃO:

- Instale sempre a bateria completamente, até deixar de ver o indicador vermelho. Caso contrário, pode cair da ferramenta e causar ferimentos em si, ou em alguém que esteja perto de si.
- Não instale a bateria forçosamente. Se não encaixar facilmente é porque não está correctamente posicionada.

NOTA:

- Quando a bateria não é removida facilmente, pressione-a do lado oposto do botão e deslize-a.

Ação do interruptor

⚠️ PRECAUÇÃO:

- Antes de colocar a bateria na ferramenta, verifique se o gatilho está a funcionar correctamente e se regressa à posição "OFF" quando o solta.
- Não puxe com força o gatilho sem pressionar a alavanca de bloqueio. Isto poderá quebrar o interruptor. (Fig. 9)

Para evitar que o gatilho seja acidentalmente puxado, é fornecida uma alavanca de bloqueio. Para iniciar a ferramenta, pressione a alavanca de bloqueio e puxe o gatilho. Para parar a ferramenta, solte o gatilho.

⚠️ AVISO:

- Para a sua segurança, esta ferramenta está equipada com uma alavanca de bloqueio, o que evita que a ferramenta se ligue acidentalmente. NUNCA utilize a ferramenta se esta funcionar quando premir o gatilho sem premir a alavanca de bloqueio. Devolva a ferramenta a um centro de serviço MAKITA para que seja correctamente reparada ANTES de utilizar.
- NUNCA coloque fita-cola ou desactive o objectivo e função da alavanca de bloqueio.

Indicar a carga restante da bateria (Fig. 10)

Quando liga a ferramenta, o indicador da bateria mostra a carga restante da bateria.

A carga restante da bateria é mostrada na tabela seguinte.

| Estado do indicador da bateria | | | Carga restante da bateria |
|--------------------------------|-----------|----------------|---------------------------|
| : Acesso | : Apagado | : Intermitente | |
| | | | 50% - 100% |
| | | | 20% - 50% |
| | | | 0% - 20% |
| | | | Carregue a bateria |

015146

Função de mudança automática da velocidade (Fig. 11)

| Estado do indicador de modo | | Modo de funcionamento |
|-----------------------------|--|-------------------------|
| | | Modo de alta velocidade |
| | | Modo de alta potência |

015137

Esta ferramenta possui "modo de alta velocidade" e "modo de alta potência". Muda automaticamente o modo de funcionamento dependendo da carga de trabalho. Quando o indicador de modo acende durante o funcionamento, a ferramenta está no modo de alta potência.

Sistema de protecção da ferramenta/bateria

A ferramenta está equipada com um sistema de protecção da ferramenta/bateria. Este sistema corta automaticamente a alimentação para prolongar a vida útil da ferramenta e bateria.

A ferramenta pára automaticamente durante o funcionamento quando a ferramenta ou bateria são colocadas numa das condições seguintes. Em algumas condições, o indicador acende.

Protecção contra sobrecarga

Quando a ferramenta é utilizada de uma forma que faz com que consuma uma corrente invulgarmente alta, a ferramenta pára automaticamente sem quaisquer indicações. Nesta situação, desligue a ferramenta e pare a aplicação que causou a sobrecarga. De seguida, ligue a ferramenta para reiniciar.

Protecção contra sobreaquecimento para a ferramenta

Quando a ferramenta está sobreaquecida, a ferramenta pára automaticamente e o indicador da bateria apresenta o estado seguinte. Nesta situação, deixe a ferramenta arrefecer antes de voltar a ligá-la.

| | | | |
|----------------------|---------------------------------|-----------|----------------|
| Indicador da bateria | : Acesso | : Apagado | : Intermitente |
| | A ferramenta está sobreaquecida | | |

015145

Libertar o bloqueio de protecção

Quando o sistema de protecção funciona repetidamente, a ferramenta é bloqueada e o indicador da bateria apresenta o estado seguinte.

| | | | |
|----------------------|--------------------------------|-----------|----------------|
| Indicador da bateria | : Acesso | : Apagado | : Intermitente |
| | Bloqueio de protecção activado | | |

015201

Nesta situação, a ferramenta não arranca mesmo ao desligar e ligar a ferramenta. Para libertar o bloqueio de protecção, retire a bateria, coloque-a no carregador de bateria e aguarde até o carregamento estar concluído.

Ajustar a profundidade de corte

⚠ PRECAUÇÃO:

- Após regular a profundidade de corte, aperte sempre bem a alavanca.

Desaperte a alavanca na parte lateral da alavanca posterior e mova a base para cima ou para baixo. Na profundidade de corte pretendida, fixe a base apertando a alavanca. (Fig. 12)

Para cortes mais limpos e seguros, defina a profundidade de corte de forma a que não mais de um dente de uma lâmina seja projectado abaixo da peça de trabalho. Utilizar uma profundidade de corte correcta reduz o potencial para RECUOS perigosos que podem causar ferimentos pessoais.

Corte em bisel

Desaperte a alavanca dianteira. Regule para o ângulo pretendido (0° - 50°) inclinando de forma correcta e aperte bem a alavanca dianteira. (Fig. 13)

Utilize o batente 45° quando efectuar um corte em ângulo preciso de 45°. Rode o batente ao máximo no sentido contrário ao dos ponteiros do relógio para corte em bisel (0° - 45°) e rode no sentido dos ponteiros do relógio para cortes em bisel de 0° - 50°. (Fig. 14)

Alinhamento (Fig. 15)

Para cortes a direito, alinhe a posição 0° na frente da base com a linha de corte. Para cortes de bisel de 45°, alinhe-a com a posição 45°. A posição da guia superior é ajustável.

Acender a lâmpada

⚠ PRECAUÇÃO:

- Não olhe directamente para a lâmpada ou para a fonte da mesma. (Fig. 16)

Para apenas acender a lâmpada, puxe o gatilho sem premir a alavanca de bloqueio. Para acender a lâmpada e accionar a ferramenta, prima a alavanca de bloqueio e prima o gatilho premindo a alavanca de bloqueio. A lâmpada manter-se-á acesa enquanto o gatilho for premido. 10 a 15 segundos depois de o gatilho ser solto, a luz apaga-se.

NOTA:

- Utilize um pano seco para limpar a sujidade da lente da lâmpada. Tenha cuidado para não riscar a lente da lâmpada, pois poderia diminuir a intensidade da iluminação.
- Não utilize gasolina, diluente ou semelhantes para limpar a lente de uma lâmpada. Utilizar tais substâncias danificará a lente.

Gancho

⚠ PRECAUÇÃO:

- Retire sempre a bateria ao pendurar a ferramenta com o gancho.
- Nunca pendure a ferramenta num local elevado ou potencialmente instável.

O gancho é muito útil para pendurar a ferramenta temporariamente. Para utilizar o gancho, rode-o até que fique na posição de aberto.

Quando não estiver a ser utilizado, rode sempre o gancho até que fique na posição de fechado. (Fig. 17)

MONTAGEM

⚠ PRECAUÇÃO:

- Certifique-se sempre de que a ferramenta está desligada e a bateria removida, antes de efectuar qualquer operação na ferramenta.

Remover ou instalar a lâmina da serra

⚠ PRECAUÇÃO:

- Certifique-se de que a lâmina está instalada com os dentes a apontar para a frente da ferramenta.
- Utilize apenas uma chave Makita para instalar ou remover a lâmina.

Para remover a lâmina, prima o bloqueio do veio de forma a que a lâmina não possa voltar-se e utilize a chave para desapertar o parafuso sextavado no sentido dos ponteiros do relógio. De seguida, remova o parafuso sextavado, flange exterior e lâmina. (Fig. 18 e 19)

Para instalar a lâmina, siga o procedimento inverso de remoção. **CERTIFIQUE-SE DE QUE APERTA BEM O PARAFUSO SEXTAVADO NO SENTIDO CONTRÁRIO AO DOS PONTEIROS DO RELÓGIO.**

Quando mudar a lâmina, certifique-se de que limpa igualmente o serrim acumulado dos resguardos superiores e inferiores da lâmina, conforme debatido na secção Manutenção. Tais esforços não substituem a necessidade de verificar o funcionamento do resguardo inferior antes de cada utilização.

Para ferramentas com uma flange interior para lâminas de serra com um diâmetro de orifício que não 15,88 mm

⚠️ PRECAUÇÃO:

- **Certifique-se de que a saliência “a” na flange interior que está posicionada de fora, encaixa perfeitamente no orifício “a” da lâmina de serra.**

Montar a lâmina no lado errado pode resultar em vibrações perigosas.

A flange interior possui uma saliência de determinado diâmetro num lado e uma saliência de diâmetro diferente no outro lado. Escolha um lado correcto no qual a saliência encaixa perfeitamente no orifício da lâmina de serra.

De seguida, monte a flange interior no veio de montagem para que o lado correcto da saliência na flange interior esteja virado para fora e, de seguida, coloque a lâmina de serra e a flange exterior. (Fig. 20)

CERTIFIQUE-SE DE QUE APERTA BEM O PARAFUSO SEXTAVADO NO SENTIDO CONTRÁRIO AO DOS PONTEIROS DO RELÓGIO.

Para ferramentas com uma flange interior para lâminas de serra com um diâmetro de orifício de 15,88 mm (consoante o país) (Fig. 21 e 22)

Monte a flange interior com o lado encastrado virado para fora no veio de montagem e, de seguida, coloque a lâmina da serra (com o anel instalado, se necessário), flange exterior e parafuso sextavado.

CERTIFIQUE-SE DE QUE APERTA BEM O PARAFUSO SEXTAVADO NO SENTIDO CONTRÁRIO AO DOS PONTEIROS DO RELÓGIO.

⚠️ AVISO:

- **Antes de montar a lâmina no fuso, certifique-se sempre que foi instalado entre as flanges interior e exterior o anel correcto para o orifício do mandril da lâmina que pretende utilizar.** A utilização de um anel de orifício do mandril incorrecto pode resultar na montagem incorrecta da lâmina, provocando movimento da lâmina e grandes vibrações, resultando numa possível perda de controlo durante a utilização e em ferimentos pessoais graves.

Armazenamento da chave sextavada (Fig. 23)

Quando não estiver a ser utilizada, guarde a chave sextavada tal como indicado na ilustração, para evitar que se perca.

Ligar um aspirador de pó (apenas para os países europeus) (Fig. 24 e 25)

Quando pretender efectuar uma operação de corte limpo, ligue um aspirador de pó Makita à sua ferramenta. Instale o bico de pó na ferramenta utilizando o parafuso. De seguida, ligue um tubo flexível do aspirador de pó ao bico de pó, tal como indicado na ilustração.

FUNCIONAMENTO

⚠️ PRECAUÇÃO:

- Certifique-se de que move suavemente a ferramenta para a frente numa linha recta. Forçar ou torcer a ferramenta resultará num sobreaquecimento do motor

e recuos perigosos, causando possivelmente ferimentos graves.

- Utilize sempre um apoio dianteiro e a pega traseira para segurar firmemente a ferramenta enquanto trabalha. (Fig. 26)

Segure bem na ferramenta. A ferramenta é fornecida com um apoio dianteiro e pega traseira. Utilize ambos para agarrar bem a ferramenta. Se ambas as mãos estiverem a segurar a serra, não podem ser cortadas pela lâmina. Defina a base na peça de trabalho a cortar, sem que a lâmina faça qualquer contacto. De seguida, ligue a ferramenta e aguarde até que a lâmina atinja a velocidade máxima. Agora, basta mover a ferramenta para a frente na superfície da peça de trabalho, mantendo-a nivelada e avançando suavemente até que termine de serrar.

Para obter cortes limpos, mantenha a linha de serra a direito e a velocidade de avanço uniforme. Se o corte não seguir de forma adequada a linha de corte pretendida, não tente rodar ou forçar a ferramenta novamente para a linha de corte. Ao fazê-lo poderá dobrar a lâmina e levar a recuos perigosos e possíveis ferimentos graves. Solte o interruptor, aguarde que a lâmina pare e retire a ferramenta. Realinhe a ferramenta numa nova linha de corte e comece outra vez a cortar. Tente evitar um posicionamento que exponha o operador a farpas e serrim que são ejectados da serra. Use protecção para os olhos para ajudar a evitar ferimentos.

Vedação para escarificação (guia paralela) (acessório opcional) (Fig. 27)

A vedação para escarificação permite que faça cortes a direito bastante precisos. Basta deslizar a vedação para escarificação ao longo da peça de trabalho e fixá-la com o parafuso de fixação na frente da base. Possibilita igualmente que faça cortes repetidos com larguras uniformes.

MANUTENÇÃO

⚠️ PRECAUÇÃO:

- Certifique-se sempre de que a ferramenta está desligada e a bateria removida, antes de efectuar qualquer operação na ferramenta.
- **Limpe o resguardo superior e inferior para garantir que não existe serrim acumulado que possa impedir o funcionamento do sistema de protecção inferior.** Um sistema de protecção sujo pode limitar o funcionamento adequado, o que pode resultar em ferimentos pessoais graves. A forma mais eficiente de efectuar esta limpeza é com ar comprimido. **Se estiver a limpar o pó dos resguardos, certifique-se de que utiliza protecção ocular e respiratória adequada.**
- Nunca utilize gasolina, benzina, diluente, álcool ou semelhante. Podem formar-se descolorações, deformações ou fissuras.

Regular para precisão de cortes a 0° e 45° (corte vertical e de 45°) (Fig. 28 e 29)

Esta regulação foi feita na fábrica. Mas, se estiver incorrecta, ajuste os parafusos de regulação com uma chave sextavada enquanto inspeciona 0° ou 45° da lâmina com a base, utilizando uma régua triangular ou

régua quadrada, etc. Utilize o batente de 45° para ajustar o ângulo de 45°.

Ajustar o guia em bisel (Fig. 30)

O guia em bisel foi ajustado na fábrica. Mas, se estiver incorrecto, pode ajustá-lo seguindo o procedimento seguinte.

Para ajustar o guia em bisel, desaperte dois parafusos. Alinhe a linha de 0° no guia em bisel com o guia na base quando a base está definida para o ângulo de 0°. Para manter os níveis de SEGURANÇA e FIABILIDADE definidos para este produto, as reparações e os procedimentos de manutenção ou ajustes devem ser executados por centros de assistência Makita autorizados, utilizando sempre peças de substituição Makita.

ACESSÓRIOS OPCIONAIS

⚠️ PRECAUÇÃO:

- Os seguintes acessórios ou extensões são os recomendados para utilizar com a ferramenta Makita especificada neste manual. A utilização de quaisquer outros acessórios poderá representar um risco de ferimento para as pessoas. Apenas utilize o acessório para o fim indicado.

Se precisar de informações adicionais relativas aos acessórios, contacte o centro local de assistência Makita.

- Lâminas da serra
- Vedação para escarificação (guia paralela)
- Trilho guia
- Adaptador para Trilho Guia
- Barra paralela
- Bico do pó
- Chave sextavada
- Bateria e carregador Makita genuínos

NOTA:

- Alguns itens na lista podem estar incluídos no pacote de ferramentas como acessórios de série. Podem diferir de país para país.

Ruído ENG905-1

O nível de ruído ponderado A típico determinado, de acordo com EN60745:

Nível de pressão sonora (L_{pA}): 83 dB (A)

Nível de potência sonora (L_{WA}): 94 dB (A)

Incerteza (K): 3 dB (A)

Use protecção para os ouvidos.

Vibração ENG900-1

O valor total de vibração (soma vector triaxial) determinado, de acordo com EN60745:

Modo de trabalho: cortar madeira

Emissão de vibrações ($a_{h,W}$): 2,5 m/s² ou menos

Incerteza (K): 1,5 m/s²

ENG901-1

- O valor da emissão de vibração declarado foi medido de acordo com o método de teste padrão e pode ser utilizado para comparar uma ferramenta com outra.
- O valor da emissão de vibração declarado pode também ser utilizado numa avaliação preliminar de exposição.

⚠️ AVISO:

- A emissão de vibração durante a utilização real da ferramenta eléctrica pode ser diferente do valor de emissão declarado, dependendo da forma como a ferramenta é utilizada.
- Certifique-se de que identifica medidas de segurança, para proteger o operador, que são baseadas numa estimativa de exposição nas condições reais de utilização (tendo em conta todas as partes do ciclo de funcionamento, como as vezes que a ferramenta é desligada e quando está a trabalhar ao ralenti, além do tempo de utilização).

Apenas para países europeus

ENH101-18

Declaração de conformidade CE

A Makita declara que as máquinas:

Designação da máquina:

Serra Circular a Bateria

Nº/Tipo de modelo: DHS680

Estão em conformidade com as directivas europeias seguintes:

2006/42/EC

São fabricadas de acordo com as normas e documentos normalizados seguintes:

EN60745

A ficha técnica em conformidade com a norma

2006/42/EC está disponível a partir de:

Makita, Jan-Baptist Vinkstraat 2, 3070, Bélgica

18. 3. 2014



Yasushi Fukaya
Director

Makita, Jan-Baptist Vinkstraat 2, 3070, Bélgica

DANSK (Originalvejledning)

Forklaring til generel oversigt

| | | |
|-------------------------------|------------------|-------------------------------|
| 1. Knap | 14. Skrue | 27. Monteringsspindel |
| 2. Rød indikator | 15. Lampe | 28. Ring |
| 3. Batteripakke | 16. Krog | 29. Mundstykke |
| 4. Afbryderkontakt | 17. Luk | 30. Støvsuger |
| 5. Sikringshåndtag | 18. Åbn | 31. Slange |
| 6. Batteriindikator | 19. Unbrakonøgle | 32. Vingeskrue |
| 7. Tilstandsindikator | 20. Aksellås | 33. Parallelanslag (styreind) |
| 8. Håndtag | 21. Stram | 34. Justeringskrue til 45° |
| 9. Dybdeguiden | 22. Løsn | 35. Justeringskrue til 0° |
| 10. Fronthåndtag | 23. Indre flange | 36. Trekantlineal |
| 11. Stopper | 24. Savklinge | 37. Skråvinkelviser |
| 12. Skærelinje (0° position) | 25. Ydre flange | 38. Viser |
| 13. Skærelinje (45° position) | 26. Sekskantbolt | |

SPECIFIKATIONER

| | | |
|---------------------------|-------------------------|-------|
| Model | DHS680 | |
| Klangediameter | 165 mm | |
| Maks. skæredybde | ved 0° | 57 mm |
| | ved 45° | 41 mm |
| | ved 50° | 37 mm |
| Hastighed uden belastning | 5.000 min ⁻¹ | |
| Længde i alt | 350 mm | |
| Nettovægt | 3,3 kg | |
| Nominal spænding | 18 V jævnstrøm | |

- På grund af vores løbende forsknings- og udviklingsprogram kan specifikationerne heri ændres uden forudgående varsel.
- Specifikationerne og batteripakken kan variere fra land til land.
- Vægt, inklusive batteripakken, i henhold til EPTA-Procedure 01/2003

Tilsigtet brug ENE078-2

Maskinen er beregnet til lige snit og vinklede geringsnit på langs og på tværs i træ ved fast kontakt med arbejdsemnet. Der kan også saves i andre materialer ved brug af dertil egnede originale Makita-savklinger.

Generelle sikkerhedsadvarsler for maskiner GEA010-1

⚠ ADVARSEL Læs alle sikkerhedsadvarsler og alle instruktioner. Hvis De ikke følger alle advarsler og instruktioner, kan det medføre elektrisk stød, brand og/eller alvorlig personskade.

Gem alle advarsler og instruktioner til senere reference.

SIKERHEDSADVARSLER FOR LEDNINGSFRI RUNDSAV GEB060-8

Saveprocedurer

1. **⚠ FARE: Hold hænderne på afstand af skæreamrådet og klingens. Hold den anden hånd på det ekstra håndtag eller på motorhuset.** Hvis begge hænder holder på saven, kan de ikke blive skåret af klingens.

2. **Ræk ikke ind under arbejdsemnet.** Skærmen kan ikke beskytte dig mod klingens under arbejdsemnet.
3. **Juster skæredybden efter arbejdsemnets tykkelse.** Der skal være mindre end en hel tand af klingetænderne synlig under arbejdsemnet.
4. **Hold ikke det arbejdsemne, der skæres i, i hænderne eller hen over benet. Fastgør arbejdsemnet til en stabil platform.** Det er vigtigt at støtte arbejdsemnet korrekt for at minimere risiko for personskade, binding af klingens eller tab af kontrol. **(Fig. 1)**
En typisk illustration af korrekt håndstøtte og støtte af arbejdsemnet.
5. **Hold kun maskinen i de isolerede grebflader, når du udfører arbejde, hvor skæreværktøjet kan komme i kontakt med skjulte ledninger.** Kontakt med en strømførende ledning gør også udsatte metaldele på maskinen strømførende, hvorved operatøren muligvis kan få elektrisk stød.
6. **Ved flæksavning skal der altid benyttes et parallelanslag eller en lige kantstøtte.** Derved bliver snittet mere nøjagtigt, og risikoen for, at klingens binder, reduceres.
7. **Brug altid klinger med den korrekte størrelse og udformning (diamant versus rund) af akselhuller.** Klinger, der ikke modsvarer savens monteringsdele, roterer skævt, og du kan miste kontrollen.

8. **Brug aldrig beskadigede eller forkerte spændeskiver eller bolte til klingen.** Spændeskiverne og boltene til klingen er specielt udviklet til saven med henblik på optimal ydelse og driftssikkerhed.

Årsager til tilbageslag og relaterede advarsler

- Tilbageslag er en pludselig reaktion på en fastklemt, låst eller forkert justeret savklinge, som kan medføre, at en ukontrolleret sav løftes opad og ud af arbejdsemnet i retning mod operatøren.
- Når klingen kommer i klemme eller sidder fast, fordi savsnittet lukkes sammen, stopper klingen, og motorreaktionen støder apparatet hurtigt tilbage mod operatøren.
- Hvis klingen bliver vredet eller sidder skævt i snittet, kan tænderne bag på klingens skære sig ned i træets øverste overflade, så klingens løftes ud af savsnittet og springer tilbage mod operatøren.

Tilbageslag skyldes forkert brug af saven og/eller forkerte betjeningsprocedurer eller betingelser og kan undgås ved at træffe de nødvendige forsigtighedsregler som beskrevet nedenfor.

9. **Hold godt fast i saven med begge hænder, og placer armene, så de kan modstå tilbageslag. Placer kroppen på siden af klingens, ikke på linje med klingens.** Tilbageslag kan få saven til at springe tilbage, men tilbageslagskræfterne kan kontrolleres af operatøren, hvis de korrekte forholdsregler tages.
10. **Når klingens binder, eller når et snit afbrydes af andre årsager, skal du slippe kontaktgrebet og holde saven stille, indtil klingens står helt stille. Forsøg aldrig at tage saven ud af arbejdsemnet eller at trække savens baglæns, mens klingens bevæger sig, da dette kan medføre tilbageslag.** Undersøg og tag de nødvendige forholdsregler så årsagen til at klingens binder, elimineres.
11. **Når savens startes igen i arbejdsemnet, skal du centrere savklingen i savsnittet og sikre dig, at savtænderne ikke sidder fast i emnet.** Hvis savklingen binder, kan den bevæge sig opad eller slå tilbage fra arbejdsemnet, når savens startes igen.
12. **Understøt store paneler for at reducere risikoen for, at klingens klemmes fast og forårsager tilbageslag.** Store paneler har tendens til at bøje under deres egen vægt. Der skal placeres støtter under panelet i begge sider, i nærheden af skæringslinjen og nær panelets kanter. (Fig. 2 og 3) **Understøt brættet eller panelet i nærheden af snittet for at undgå tilbageslag. Understøt ikke brættet eller panelet langt fra snittet.**
13. **Undgå at bruge uskarpe eller beskadigede klinger.** Uskarpe eller forkert monterede klinger giver smalle skæresnit, der forårsager ekstra friktion, fastklemning af klingens og tilbageslag.
14. **Låsehåndtagene til klingedybde og skråsnitsvinkel skal sidde stramt og sikkert, før du starter.** Hvis klingens flytter sig under skæringen, kan klingens binde og forårsage tilbageslag.
15. **Vær ekstra forsigtig, når du saver i eksisterende vægge eller andre områder, du ikke kan se igennem.** Den fremskudte klinge kan skære i genstande, der kan forårsage tilbageslag.
16. **Hold ALTID godt fast i maskinen med begge hænder. Anbring ALDRIG hånden eller fingrene bag ved savens.** Hvis der opstår tilbageslag, kan saven nemt springe bagud hen over hånden, hvilket kan forårsage alvorlig personskade. (Fig. 4)
17. **Tving aldrig savens frem. Skub savens fremad ved en hastighed, hvor klingens skærer uden at køre langsommere.** Brug af magt kan medføre ujævne skæringer, tab af præcision og risiko for tilbageslag.

Funktion af nederste klingebeskytter

18. **Kontroller, at den nederste klingebeskytter lukker korrekt før hver brug. Anvend ikke savens, hvis den nederste klingebeskytter ikke bevæger sig frit og lukkes med det samme. Fastlås eller bind aldrig den nederste klingebeskytter i den åbne stilling.** Hvis du tager savens, kan den nederste klingebeskytter blive bøjet. Løft den nederste klingebeskytter med tilbagetrækningshåndtaget, og sørg for, at den bevæger sig frit og ikke berører klingens eller andre dele, uanset skæringsvinkel og -dybde.
19. **Kontroller funktionen af fjederen på den nederste klingebeskytter.** Hvis klingebeskytteren og fjederen ikke fungerer korrekt, skal de repareres, før savens anvendes. Den nederste klingebeskytter kan fungere dårligt på grund af beskadigede dele, fastsiddende gummi eller ophobning af snavs.
20. **Den nederste klingebeskytter må kun trækkes tilbage manuelt i forbindelse med særlige snit, f.eks. "indstiksnit" og "kombinerede snit".** Løft den nederste klingebeskytter ved hjælp af tilbagetrækningshåndtaget, og slip den nederste klingebeskytter, så snart klingens sidder i materialet. Til al anden skæring skal den nederste klingebeskytter fungere automatisk.
21. **Se altid efter, om den nederste klingebeskytter dækker klingens, før savens stilles på arbejdsbænken eller gulvet.** En ubeskyttet frit kørende klinge vil få savens til at bevæge sig baglæns, mens den skærer i alt, hvad den kommer i kontakt med. Vær opmærksom på den tid, det tager for klingens at stoppe, efter at kontakten slippes.
22. **For at kontrollere den nederste klingebeskytter skal du åbne klingebeskytteren manuelt og derefter frigive beskytteren og kontrollere, at den lukkes. Kontroller også, at tilbagetrækningshåndtaget ikke berører værktøjskassen.** Det er MEGET FARLIGT at lade klingens være blottet og kan medføre alvorlig personskade.

Yderligere sikkerhedsadvarsler

23. **Vær ekstra forsigtig ved skæring i vådt træ, trykbehandlet træ eller træ, der indeholder knaster.** Før maskinen jævnt fremad, uden at klingens hastighed reduceres, for at undgå overophedning af klingens takker.
24. **Undgå at fjerne afskåret materiale, så længe klingens bevæger sig. Vent til klingens er stoppet, før du tager fat i det afskårne materiale.** Knivens bevæger sig et stykke tid efter slukning.
25. **Undgå at skære i søm. Se efter og fjern alle søm fra træet, før du skærer.**
26. **Sæt den brede del af savens basis mod den del af arbejdsemnet, der er understøttet solidt, ikke mod**

den del, der falder af, når snittet er færdigt. Fig. 5 viser et eksempel på den RIGTIGE måde at skære enden af et bræt, og Fig. 6 viser den FORKERTE måde. Fastspænd arbejdsømmet, hvis det er kort eller lille. **DU MÅ IKKE HOLDE KORTE ARBEJDSEMMER I HÅNDEN!** (Fig. 5 og 6)

27. Før du stiller maskinen fra dig efter at have foretaget en skæring, skal du sikre dig, at den nederste klingebeskytter er lukket, og at klingen er stoppet helt.
28. Forsøg aldrig at save med rundsaven festsæpnd med bunden i vejret i en skruestik. Dette er ekstremt farligt og kan medføre alvorlige uheld. (Fig. 7)
29. Nogle materialer indeholder kemikalier, som kan være giftige. Sørg for, at undgå indånding af støv og kontakt med huden. Følg materialeleverandørens sikkerhedsdata.
30. Stop ikke klingerne ved at trykke på siden af savklingen.
31. Brug ikke slibeskiver.
32. Brug kun en savklinge med den diameter, som er markeret på maskinen eller anført i vejledningen. Brug af en forkeft størrelse klinge kan indvirke på den korrekte fremføring af klingens eller klingebeskytterens funktion, hvilket kan medføre alvorlig personskafe.
33. Hold klingens skarp og ren. Gummi og tjære, der hærdes mod klingen, gør saven langsommere og forøger risikoen for tilbageslag. Hold klingen ren ved først at fjerne den fra maskinen og derefter rense den med gummi- og tjærefjerner, varmt vand eller petroleum. Brug ikke benzin.
34. Bær støvmaske og hørøværn, når maskinen anvendes.

GEM DISSE INSTRUKTIONER.

ADVARSEL:

LAD IKKE tryghed eller kendskab til produktet (fra gentagen brug) føre til, at du ikke strengt overholder sikkerhedsreglerne for det gældende produkt. MISBRUG eller manglende overholdelse af sikkerhedsreglerne i denne brugsanvisning kan medføre alvorlig personskafe.

VIGTIGE SIKKERHEDSINSTRUKTIONER

ENC007-8

FOR BATTERIPAKKEN

1. Før brugen af batteripakken skal du læse alle instruktioner og advarsler på (1) batteriopladeren, (2) batteriet og (3) det produkt, som batteriet anvendes i.
2. Skil ikke batteripakken ad.
3. Hvis driftstiden bliver betydeligt kortere, skal du straks ophøre med brugen. Brug kan medføre risiko for overophedning, risiko for forbrændinger eller endog eksplosion.
4. Hvis du får elektrolyt i øjnene, skal du med det samme rense øjnene med rent vand og søge læge. Dette kan medføre tab af synet.
5. Kortslut ikke batteripakken:

- (1) Undgå at røre ved terminalerne med ledende materiale.
 - (2) Undgå at opbevare batteripakken i en beholder med andre metalgenstande som f.eks. søm, mønter osv.
 - (3) Udsæt ikke batteripakken for vand eller regn. Hvis batteriet kortsluttes, kan det medføre voldsom strøm, overophedning, mulige forbrændinger og endog nedbrud.
6. Undgå at opbevare værktøjet og batteripakken på steder, hvor temperaturen kan komme op på eller overstige 50°C.
 7. Sæt ikke iid til batteripakken, selvom den er alvorligt beskafiget eller helt udtjent. Batteripakken kan eksplodere ved brand.
 8. Undgå at tabe eller slå på batteriet.
 9. Undlad brug af et beskafiget batteri.
 10. Følg de lokale bestemmelser med hensyn til bortskaffelse af batteri.

GEM DISSE INSTRUKTIONER.

Tips til, hvordan du forlænger batteriets levetid

1. Oplad batteripakken, før den bliver helt afladet. Ophør med at bruge værktøjet, og udskiif batteripakken, hvis strømmen til værktøjet aftager.
2. Oplad aldrig en fuldt opladet batteripakke. Overopladning forkorter batteriets levetid.
3. Oplad batteripakken ved stuetemperatur på 10°C - 40°C. Lad batteripakken køle ned før den oplades, hvis den er varm.
4. Oplad batteripakken en gang hver sjette måned, hvis du ikke bruger det i lang tid.

FUNKTIONSBESKRIVELSE

FORSIGTIG:

- Sørg altid for, at maskinen er slukket, og at batteripakken er taget ud, før du justerer maskinen eller kontrollerer dens funktion.

Montering eller afmontering af batteripakke (Fig. 8)

FORSIGTIG:

- Sluk altid for maskinen inden montering eller afmontering af batteripakken.
 - Hold godt fast i maskinen og batteripakken, når du monterer eller afmonterer batteripakken. Hvis maskinen og batteripakken ikke holdes ordentligt fast, kan de glide ud af hænderne og resultere i skader på maskinen og batteripakken samt personskafe.
- Afmonter batteripakken ved at holde ned på knappen foran på batteripakken og skubbe den af maskinen. Ved montering af batteripakken justeres tungen på batteripakken med rillen i huset, hvorefter pakken skubbes ind på plads. Sæt den hele vejen ind, indtil den låses på plads med et lille klik. Hvis den røde indikator øverst på knappen er synlig, er batteripakken ikke låst helt fast.

⚠ FORSIGTIG:

- Sæt altid batteripakken helt ind, indtil den røde indikator ikke længere er synlig. Ellers kan den falde ud af maskinen og skade dig eller andre personer i nærheden.
- Anvend ikke kræfter ved monteringen af batteripakken. Hvis den ikke glider let ind, er den ikke indsat korrekt.

BEMÆRK:

- Når batteripakken ikke nemt kan fjernes, skal du skubbe på den fra den modsatte side af knappen og skyde den ud.

Betjening af afbryder

⚠ FORSIGTIG:

- Før batteripakken sættes i maskinen, skal du altid kontrollere, at afbryderkontakten reagerer korrekt og vender tilbage i "OFF"-stillingen, når du slipper den.
- Træk ikke hårdt i afbryderkontakten uden at trykke på sikringshåndtaget. Dette kan ødelægge kontakten. (Fig. 9)

Et sikringshåndtag forhindrer, at afbryderkontakten aktiveres ved et uheld. Maskinen startes ved at trykke sikringshåndtaget ind og trække i afbryderkontakten. Slip afbryderkontakten for at stoppe.









⚠ ADVARSEL:

- Af hensyn til din sikkerhed er maskinen forsynet med et sikringshåndtag, der forhindrer, at maskinen starter ved et uheld. Brug ALDRIG maskinen, hvis den kører, når du trækker i afbryderkontakten uden at trykke på sikringshåndtaget. Indlever maskinen til et MAKITA-servicecenter til reparation, FØR den benyttes igen.
- Du må ALDRIG fastgøre sikringshåndtaget med tape eller omgå dets funktion.

Angivelse af den resterende batterikapacitet (Fig. 10)


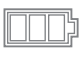


Når du tænder for maskinen, viser batteriindikatoren den resterende batterikapacitet.

Den resterende batterikapacitet vises som den følgende tabel.

| Batteriindikatorstatus | | | Resterende batterikapacitet |
|---|---|-------------|-----------------------------|
| ■ : Tændt | □ : Slukket | ■ : Blinker | |
|  |  | | 50% - 100% |
|  |  | | 20% - 50% |
|  |  | | 0% - 20% |
|  |  | | Oplad batteriet |

015146

Automatisk hastighedsændring (Fig. 11)

| Tilstandsindikatorstatus | Driftstilstand |
|---|-----------------------|
|   | Højhastighedstilstand |
|   | Højt moment-tilstand |

015137

Denne maskine har en "højhastighedstilstand" og en "højt moment-tilstand". Den skifter automatisk driftstilstanden afhængigt af arbejdsbelastningen. Når tilstandsindikatoren lyser under driften, er maskinen i højt moment-tilstand.

Maskin-/batteribeskyttelsessystem

Maskinen er udstyret med et maskin-/batteribeskyttelsessystem. Dette system slukker automatisk for strømmen til motoren for at forlænge maskin- og batterilevetiden.



Maskinen stopper automatisk under anvendelsen, hvis maskinen eller batteriet udsættes for en af de følgende situationer. I visse situationer lyser indikatoren.

Overbelastningsbeskyttelse

Når maskinen anvendes på en måde, der får den til at trække unormalt meget strøm, standser maskinen automatisk uden nogen indikationer. I denne situation skal du slukke for maskinen og standse den anvendelse, som gjorde maskinen overbelastet. Tænd derefter på maskinen for starte igen.

Overophedningsbeskyttelse for maskine



Når maskinen overophedes, stopper maskinen automatisk, og batteriindikatoren viser den følgende tilstand. I denne situation skal du lade maskinen køle af, inden du tænder for maskinen igen.

| Batteriindikator | ■ : Tændt | □ : Slukket | ■ : Blinker |
|---|-----------|-------------|-------------|
|   | | | |
| Maskinen er overophedet | | | |

015145

Ophævelse af beskyttelseslås

Når beskyttelsessystemet aktiveres gentagne gange, låses maskinen, og batteriindikatoren viser den følgende tilstand.

| Batteriindikator | ■ : Tændt | □ : Slukket | ■ : Blinker |
|---|-----------|-------------|-------------|
|   | | | |
| Beskyttelsessystem aktiveret | | | |

015201

I denne situation starter maskinen ikke, selv hvis du slukker og tænder for maskinen. For at ophæve beskyttelseslåsen skal du tage batteriet ud, sætte det i batteriopladeren og vente indtil opladningen er færdig.

Justering af skæredybden

FORSIGTIG:

- Skru håndtaget godt fast, når skæredybden er indstillet.

Løsn låsearmen på siden af de bageste håndtag, og flyt basis op eller ned. Fastgør basis ved at stramme håndtaget på den ønskede skæredybde. (Fig. 12)

Du opnår renere og sikrere snit ved at indstille skæredybden, så der ikke stikker mere end én klingetand ud under arbejdsemnet. Anvendelse af den korrekte skæredybde hjælper med at reducere risikoen for farlige TILBAGESLAG, som kan forårsage personskade.

Skråskæring

Løsn fronthåndtaget. Indstil den ønskede vinkel (0° - 50°) ved at dreje tilsvarende, og stram derefter fronthåndtaget godt fast. (Fig. 13)

Benyt 45° stopperen til nøjagtigt snit i en vinkel på 45°. Drej stopperen helt mod uret for skråskæring (0° - 45°), og drej den med uret for skråskæring på 0° - 50°. (Fig. 14)

Indstilling (Fig. 15)

Ved lige snit justeres 0°-positionen forrest på basen ind med skærelinjen. For skråsnit på 45° justeres 45°-positionen med den. Positionen af topguiden er justerbar.

Tænding af lampen

FORSIGTIG:

- Se ikke direkte ind i lampen eller lyskilden. (Fig. 16)
- Hvis kun lampen skal tændes, skal der trækkes i afbryderkontakten uden at trykke på sikringshåndtaget. Hvis lampen skal tændes og maskinen startes, skal du trykke på sikringshåndtaget og trække i afbryderkontakten, mens der trykkes på sikringshåndtaget. Lampen forbliver tændt, så længe der trykkes på afbryderkontakten. Lampen slukkes 10-15 sekunder efter, at afbryderen slippes.

BEMÆRK:

- Benyt en tør klud til at tørre snavs af lampens linse. Pas på ikke at ridse lampens linse, da det kan mindske lysstyrken.
- Brug ikke benzin, fortynder eller lignende til at rengøre lampens linse. Sådanne stoffer beskadiger linsen.

Krog

FORSIGTIG:

- Tag altid batteriet ud, når du hænger maskinen i krogen.
- Hæng aldrig maskinen på et højt sted eller på et potentielt ustabilt underlag.

Krogen er praktisk til midlertidigt at hænge maskinen i.

For at benytte krogen skal du blot dreje den, indtil den klikker på plads i den åbne stilling. Drej altid krogen, indtil den klikker på plads i den lukkede stilling, når den ikke benyttes. (Fig. 17)

MONTERING

FORSIGTIG:

- Sørg altid for, at maskinen er slukket, og at batteripakken er taget ud, før du udfører nogen form for arbejde på maskinen.

Afmontering eller montering af savklingen

FORSIGTIG:

- Sørg for, at klingen er monteret, så tænderne peger opad foran på maskinen.
- Anvend kun Makita-skruenøglen til at montere eller afmontere klingen.

For at afmontere klingen skal du trykke på skaftlåsen, så klingen ikke kan dreje, og anvende skruenøglen til at løsne sekskantbolten i urets retning. Fjern derefter sekskantbolten, den ydre flange og klingen. (Fig. 18 og 19)

Følg fremgangsmåden til afmontering i omvendt rækkefølge for at montere klingen. SØRG FOR AT SPÆNDE SEKSKANTBOLTEN FAST TIL MOD URET. Ved skift af klinger skal du sørge for også at fjerne opsamlet savsmuld fra de øverste og nederste klingebeskyttere som beskrevet i afsnittet Vedligeholdelse. Du skal stadig kontrollere den nederste klingebeskytters funktion, hver gang maskinen skal anvendes.

For en maskine med en indre flange til andet end en savklinge med en hul diameter på 15,88 mm

FORSIGTIG:

- Sørg for at fremspringet "a" på den indre flange, som er placeret udvendigt, passer perfekt ind i savklinge hullet "a". Monteres klingen på den forkerte side kan det medføre farlige vibrationer.

Den indre flange har et særligt diameterfremspring på den ene side af den, og et andet diameterfremspring på den anden side. Vælg den korrekte side, hvor fremspringet passer perfekt ind i savklinge hullet.

Monter derefter den indre flange på monteringsspindlen så den korrekte side af fremspringet på den indre flange vender udad, og placer derefter savklingen på den ydre flange. (Fig. 20)

SØRG FOR AT SPÆNDE SEKSKANTBOLTEN FAST TIL MOD URET.

For en maskine med en indre flange til en savklinge med en hul diameter på 15,88 mm (landespecifikt) (Fig. 21 og 22)

Monter den indre flange med dens forsænkede side vendende ud mod monteringsspindlen og placer derefter savklingen (med ringen monteret om nødvendigt), den ydre flange og sekskantbolten.

SØRG FOR AT SPÆNDE SEKSKANTBOLTEN FAST TIL MOD URET.

ADVARSEL:

- Inden savklingen monteres på spindlen, skal du altid sikre dig at den korrekte ring, der passer til akselhullet i den savklinge, som du agter at anvende, er monteret mellem den indre og ydre flange. Anvendelse af det forkerte akselhul kan medføre forkert montering af savklingen, hvilket forårsager klingebevægelse og alvorlig vibration med

muligt tab af kontrol under anvendelsen og alvorlig personskade som følge.

Opbevaring af unbrakonøgle (Fig. 23)

Opbevar unbrakonøglen som vist i figuren, når den ikke anvendes, for at forhindre, at den bliver væk.

Tilslutning af en støvsuger (kun for europæiske lande) (Fig. 24 og 25)

Hvis du ønsker at holde arbejdsområdet rent under savning, kan du tilslutte en Makita-støvsuger til maskinen. Monter støvmundstykket på maskinen ved hjælp af skruen. Slut derefter støvsugerslangen til støvmundstykket som vist på figuren.

BETJENING

⚠ FORSIGTIG:

- Sørg for at flytte maskinen lige fremad uden at bruge magt. Hvis maskinen tvinges eller vrides, kan det medføre overophedning af motoren og farligt tilbageslag, som kan føre til alvorlig personskade.
- Anvend altid et frontgreb og baghåndtag og hold godt fast i maskinen i både frontgrebet og baghåndtaget under anvendelse. (Fig. 26)

Hold godt fast i maskinen. Maskinen har både et frontgreb og et baghåndtag. Hold maskinen med begge hænder. Hvis begge hænder holder på saven, kan du ikke blive skåret af klingens. Placer basen på det arbejdsområde, der skal skæres i, uden at klingens berører arbejdsområdet. Tænd derefter for maskinen, og vent, indtil klingens når fuld hastighed. Flyt maskinen fremad hen over arbejdsområdet, idet maskinen holdes fladt og flyttes jævnt frem, indtil savningen er færdig.

Du opnår rene snit ved at holde savelinjen lige og flytte maskinen med jævn hastighed. Forsøg ikke at dreje eller tvinge maskinen tilbage til skæringslinjen, hvis snittet ikke følger den ønskede skæringslinje. Hvis du gør dette, kan klingens komme i klemme, hvilket kan medføre farligt tilbageslag med risiko for alvorlig personskade. Slip kontakten, vent, til klingens er stoppet, og tag derefter maskinen ud. Juster maskinen med den nye skæringslinje, og start skæringen igen. Sørg for at placere dig, så du ikke bliver udsat for de spåner og træsmulder, der udstødes fra saven. Bær øjenbeskyttelse for at undgå personskade.

Parallelanslag (styrepind) (ekstra tilbehør) (Fig. 27)

Med det praktiske parallelanslag kan du udføre ekstremt præcise lige skæringer. Skub blot parallelanslaget op mod siden af arbejdsområdet og fastgør det med tilspændingsskruen forrest på maskinens base. Det gør det også muligt at foretage flere skæringer med ens bredde.

VEDLIGEHOLDELSE

⚠ FORSIGTIG:

- Sørg altid for, at maskinen er slukket, og at batteripakken er taget ud, før du udfører nogen form for arbejde på maskinen.

- **Rengør de øverste og nederste skærme for at sikre, at der ikke har ophobet sig savsmulder, som muligvis kan være til hindring for funktionen af det nederste beskyttelsessystem.** Et beskidt beskyttelsessystem kan begrænse den korrekte funktion, hvilket kan medføre alvorlig personskade. Den mest effektive måde at foretage denne rengøring på, er at anvende trykluft. **Hvis støvet blæses ud af skærmene, skal du sørge for at anvende ordentlig øjen- og åndedrætsbeskyttelse.**
- Brug aldrig benzin, benzen, fortynder, alkohol eller lignende. Det kan muligvis medføre misfarvning, deformation eller revner.

Justering til nøjagtige skæringsvinkler på 0° og 45° (lodret og 45°-skæring) (Fig. 28 og 29)

Denne justering er udført på fabrikken. Hvis justeringen er unøjagtig, skal du indstille justeringsskruerne med en unbrakonøgle, mens de 0° eller 45° kontrolleres med klingens og basis ved hjælp af en trekantlineal, en firkantlineal e.l. Benyt 45° stopperen til justering af en vinkel på 45°.

Justering af skråvinkelviser (Fig. 30)

Skråvinkelviseren er blevet justeret på fabrikken. Men hvis den ikke passer, kan du justere den vha. følgende procedure.

For at justere skråvinkelviseren skal du løsne de to skruer.

Ret 0°-linen på skråvinkelviseren ind med viseren på basis, når basis er indstillet på 0° vinkel.

For at holde produktet SIKKERT og PÅLIDELIGT skal reparationer samt al anden vedligeholdelse eller justering udføres af autoriserede Makita-servicecentre, og der skal altid benyttes Makita-reservedele.

EKSTRAUDSTYR

⚠ FORSIGTIG:

- Dette tilbehør eller ekstraudstyr anbefales til brug med det Makita-værktøj, som er beskrevet i denne brugsanvisning. Brug af andet tilbehør eller ekstraudstyr kan forårsage personskade. Brug kun tilbehør eller ekstraudstyr til det formål, det er beregnet til.

Henvend dig til dit lokale Makita-servicecenter, hvis du har brug for hjælp eller yderligere oplysninger vedrørende tilbehøret.

- Savklinger
- Parallelanslag (styrepind)
- Støtteskinne
- Støtteskinneadapter
- Linealbjælke
- Mundstykke
- Unbrakonøgle
- Originalt batteri og oplader fra Makita

BEMÆRK:

- Visse dele på listen er muligvis indeholdt maskinindpakningen som standardtilbehør. De kan variere fra land til land.

Støj

ENG905-1

Det typiske A-vægtede støjniveau bestemt i overensstemmelse med EN60745:

Lydtryksniveau (L_{pA}): 83 dB (A)

Lydteffektniveau (L_{WA}): 94 dB (A)

Usikkerhed (K): 3 dB (A)

Bær høreværn.

Vibration

ENG900-1

Den samlede vibrationsværdi (treaksiel vektorsum) bestemt i overensstemmelse med EN60745:

Arbejdstilstand: træskæring

Vibrationsemission ($a_{h,W}$): 2,5 m/s² eller mindre

Usikkerhed (K): 1,5 m/s²

ENG901-1

- Den opgivne vibrationsemissionsværdi er målt i overensstemmelse med standardtestmetoden og kan bruges til at sammenligne et værktøj med et andet.
- Den opgivne vibrationsemissionsværdi kan muligvis også bruges til en indledende eksponeringsvurdering.

ADVARSEL:

- Vibrationsemissionen under den faktiske brug af maskinen kan afvige fra den opgivne emissionsværdi afhængigt af den måde, maskinen anvendes på.
- Sørg for at bestemme sikkerhedsforanstaltninger for beskyttelse af operatøren, som er baseret på en eksponeringsvurdering for brug under faktiske forhold (hvor alle anvendelsescyklussens dele inddrages, som f.eks. antal gange maskinen slukkes, og når den kører i tomgang ud over triggertiden).

Kun for europæiske lande

ENH101-18

EF-overensstemmelseserklæring

Makita erklærer at følgende Makita-maskine(r):

Maskinens betegnelse:

Ledningsfri rundsav

Modelnummer/type: DHS680

Overholder følgende europæiske direktiver:

2006/42/EF

De er produceret i overensstemmelse med den følgende standard eller standardiserede dokumenter:

EN60745

Den tekniske fil er i overensstemmelse med 2006/42/EF til rådighed fra:

Makita, Jan-Baptist Vinkstraat 2, 3070, Belgien

18. 3. 2014



Yasushi Fukaya

Direktør

Makita, Jan-Baptist Vinkstraat 2, 3070, Belgien

ΕΛΛΗΝΙΚΑ (Πρωτογενείς οδηγίες)

Περιγραφή γενικής όψης

| | | |
|-------------------------------|-----------------------|--|
| 1. Κουμπί | 14. Βίδα | 27. Άξονας στερέωσης |
| 2. Κόκκινη ένδειξη | 15. Λαμπτήρας | 28. Δακτύλιος |
| 3. Κασέτα μπαταρίας | 16. Αγκιστρο | 29. Στόμιο σκόνης |
| 4. Σκανδάλη-διακόπτης | 17. Κλείσιμο | 30. Ηλεκτρική σκούπα |
| 5. Μοχλός απασφάλισης | 18. Άνοιγμα | 31. Εύκαμπτος σωλήνας |
| 6. Δείκτης μπαταρίας | 19. Εξάγωνο κλειδί | 32. Βίδα σύσφιξης |
| 7. Δείκτης τρόπου λειτουργίας | 20. Ασφάλεια άξονα | 33. Προστατευτικό κοπής (Οδηγός κανόνας) |
| 8. Μοχλός | 21. Σφίξτε | 34. Βίδα ρύθμισης για 45° |
| 9. Οδηγός βάρους | 22. Ξεσφίξτε | 35. Βίδα ρύθμισης για 0° |
| 10. Μπροστινός μοχλός | 23. Εσωτερική φλάντζα | 36. Τριγωνικός κανόνας |
| 11. Αναστολέας | 24. Πριονόδιακος | 37. Οδηγός λοξοτομής |
| 12. Γραμμή κοπής (θέση 0°) | 25. Εξωτερική φλάντζα | 38. Οδηγός |
| 13. Γραμμή κοπής (θέση 45°) | 26. Εξάγωνο μπουλόνι | |

ΠΡΟΔΙΑΓΡΑΦΕΣ

| | | |
|-----------------------|-------------------------|-------|
| Μοντέλο | DHS680 | |
| Διάμετρος λάμας | 165 mm | |
| Μέγιστο βάθος κοπής | στις 0° | 57 mm |
| | στις 45° | 41 mm |
| | στις 50° | 37 mm |
| Ταχύτητα χωρίς φορτίο | 5.000 min ⁻¹ | |
| Ολικό μήκος | 350 mm | |
| Καθαρό βάρος | 3,3 kg | |
| Ονομαστική τιμή τάσης | D.C. 18 V | |

- Λόγω του συνεχόμενου προγράμματος που εφαρμόζουμε για έρευνα και ανάπτυξη, τα τεχνικά χαρακτηριστικά στο παρόν έντυπο υπόκεινται σε αλλαγή χωρίς προειδοποίηση.
- Τα τεχνικά χαρακτηριστικά και η μπαταρία ενδέχεται να διαφέρουν από χώρα σε χώρα.
- Βάρος μαζί με την μπαταρία σύμφωνα με τη διαδικασία της ΕΡΤΑ 01/2003

Προοριζόμενη χρήση

ENE078-2

Το εργαλείο αυτό προορίζεται για την εκτέλεση ευθειών κοπών κατά μήκος και εγκάρσιων και λοξών κοπών υπό κλίση σε ξύλο, όταν βρίσκεται σε σταθερή επαφή με το τεμάχιο εργασίας. Άλλα υλικά μπορούν επίσης να πριονιστούν με κατάλληλους γνήσιους πριονόδιακους της Makita.

Γενικές Προειδοποιήσεις Ασφαλείας Του Ηλεκτρικού Εργαλείου

GEA010-1

⚠ ΠΡΟΕΙΔΟΠΟΙΗΣΗ Διαβάστε όλες τις προειδοποιήσεις ασφαλείας και όλες τις οδηγίες. Αν δεν ακολουθήσετε όλες τις προειδοποιήσεις και τις οδηγίες, υπάρχει κίνδυνος ηλεκτροπληξίας, πυρκαγιάς ή/και σοβαρού τραυματισμού.

Φυλάξτε όλες τις προειδοποιήσεις και τις οδηγίες για μελλοντική αναφορά.

ΠΡΟΕΙΔΟΠΟΙΗΣΕΙΣ ΑΣΦΑΛΕΙΑΣ ΦΟΡΗΤΟΥ ΔΙΣΚΟΠΡΙΟΝΟΥ

GEB060-8

Διαδικασίες κοπής

1. **⚠ ΚΙΝΔΥΝΟΣ:** Να κρατάτε τα χέρια σας μακριά από την περιοχή κοπής και το δίσκο. Να κρατάτε τη βοηθητική λαβή ή το περίβλημα του κινητήρα με το άλλο σας χέρι. Εάν κρατάτε το πριόνι και με τα δύο χέρια, δεν θα δυνατόν να κοπούν από το δίσκο.
2. **Μην πιάνετε το τεμάχιο εργασίας από την κάτω πλευρά.** Το προστατευτικό δεν σας παρέχει προστασία από το δίσκο κάτω από το τεμάχιο εργασίας.
3. **Ρυθμίστε το βάθος κοπής ανάλογα με το πάχος του τεμαχίου εργασίας.** Δεν θα πρέπει να είναι ορατά ολόκληρα τα δόντια του δίσκου κάτω από το τεμάχιο εργασίας.
4. **Μην κρατάτε ποτέ το τεμάχιο εργασίας στα χέρια σας και μην το τοποθετείτε επάνω στο πόδι σας. Ασφαλίστε το τεμάχιο εργασίας σε μια σταθερή βάση.** Είναι σημαντικό να στηρίζετε σωστά το τεμάχιο εργασίας για να ελαχιστοποιείται η έκθεση του σώματος, η παρεμπόδιση της κίνησης του δίσκου, ή η απώλεια ελέγχου. **(Εικ. 1)**
Μια τυπική απεικόνιση της σωστής στήριξης με το χέρι και της στήριξης του τεμαχίου εργασίας.

5. **Να κρατάτε το ηλεκτρικό εργαλείο μόνο από τις μονωμένες λαβές όταν εκτελείτε εργασίες κατά τις οποίες το κοπτικό εργαλείο μπορεί να έρθει σε επαφή με κρυμμένα καλώδια.** Αν υπάρχει επαφή με κάποιο ηλεκτροφόρο καλώδιο, τα εκτεθειμένα μεταλλικά μέρη του ηλεκτρικού εργαλείου θα γίνουν κι αυτά ηλεκτροφόρα και μπορεί να προκληθεί ηλεκτροπληξία στο χειριστή.
 6. **Όταν σχίζετε, να χρησιμοποιείτε πάντοτε προστατευτικό κοπής ή οδηγό με ευθύγραμμη ακμή.** Έτσι, βελτιώνεται η ακρίβεια της κοπής και μειώνεται η πιθανότητα να παρεμποδίσει η κίνηση του δίσκου.
 7. **Να χρησιμοποιείτε πάντοτε δίσκους με σπές στερέωσης σωστού μεγέθους και σχήματος (σχήμα διαμαντιού έναντι στρογγυλού σχήματος).** Οι δίσκοι που δεν ταιριάζουν με το σύστημα στερέωσης του πριονιού θα παρουσιάζουν έκκεντρη περιστροφή, προκαλώντας απώλεια ελέγχου.
 8. **Μη χρησιμοποιείτε ποτέ στο δίσκο ροδέλες ή μπουλόνια που είναι φθαρμένα ή είναι λανθασμένου μεγέθους.** Οι ροδέλες και τα μπουλόνια του δίσκου είναι ειδικά σχεδιασμένα για το πριόνι σας, έτσι ώστε να παρέχουν βέλτιστη απόδοση και ασφάλεια λειτουργίας.
- Αιτίες κλώστιασματος και σχετικές προειδοποιήσεις**
- το κλώστιασμα είναι μια ξαφνική αντίδραση που προκαλεί την ανεξέλεγκτη ανύψωση του πριονιού έξω από το τεμάχιο εργασίας και προς τον χειριστή, όταν ο δίσκος είναι μπλοκαρισμένος, παρεμποδίζεται η κίνησή του ή έχει λανθασμένη ευθυγράμμιση,
 - όταν ο δίσκος είναι μπλοκαρισμένος ή σφηνωμένος σφικτά από την εγκοπή ακινητοποιείται και η αντίδραση του μοτέρ οδηγεί το εργαλείο με ταχύτητα προς τα πίσω και προς τη μεριά του χειριστή,
 - εάν ο δίσκος στρεβλώσει ή ευθυγραμμιστεί λάθος κατά την κοπή, τα δόντια στο πίσω μέρος του δίσκου μπορεί να σκάσουν μέσα στην επάνω επιφάνεια του ξύλου και έτσι ο δίσκος να βγει από την εγκοπή και να αναπηδήσει προς τη μεριά του χειριστή.
- Το κλώστιασμα προκαλείται όταν το πριόνι χρησιμοποιείται λανθασμένα ή/και όταν οι διαδικασίες ή οι συνθήκες λειτουργίας είναι λανθασμένες και μπορεί να αποφευχθεί αν ληφθούν οι κατάλληλες προφυλάξεις που αναφέρονται παρακάτω.
9. **Να κρατάτε το πριόνι γερά και με τα δύο χέρια και να τοποθετείτε τους βραχιόνες σας με τέτοιο τρόπο ώστε να αντιστέκονται στη δύναμη του κλώστιασματος. Να τοποθετείτε το σώμα σας πλευρικά του δίσκου, αλλά όχι στην ίδια ευθεία με το δίσκο.** Το κλώστιασμα μπορεί να προκαλέσει την αναπήδηση του πριονιού προς τα πίσω, αλλά ο χειριστής μπορεί να ελέγξει το κλώστιασμα αν λάβει τις κατάλληλες προφυλάξεις.
 10. **Όταν παρεμποδίζεται η κίνηση του δίσκου ή όταν διακόπεται η κοπή για οποιοδήποτε λόγο, αφήστε τη σκανδάλη και κρατήστε ακίνητο το πριόνι μέσα στο υλικό έως ότου ακινητοποιηθεί πλήρως ο δίσκος. Μη δοκιμάσετε ποτέ να βγάλετε το πριόνι από το τεμάχιο εργασίας ούτε να το τραβήξετε προς τα πίσω όταν ο δίσκος κινείται, καθώς το εργαλείο μπορεί να κλωστήσει.** Διερευνήστε την αιτία για την οποία παρεμποδίζεται η κίνηση του δίσκου και λάβετε διορθωτικά μέτρα.
 11. **Όταν ξεκινάτε ξανά το πριόνι μέσα στο τεμάχιο εργασίας, κεντράρετε το δίσκο στην εγκοπή και ελέγξτε ότι τα δόντια του δίσκου δεν έρχονται σε επαφή με το υλικό.** Αν παρεμποδίζεται η κίνηση του δίσκου, το εργαλείο μπορεί να αναπηδήσει από το τεμάχιο εργασίας ή να κλωτσήσει όταν το θέσετε ξανά σε λειτουργία.
 12. **Πρέπει να στηρίζετε κατάλληλα τα μεγάλα φύλλα προς κοπή για να ελαχιστοποιείτε τον κίνδυνο παρεμπόδισης της κίνησης του δίσκου, αλλά και του κλώστιασματος.** Τα μεγάλα φύλλα τείνουν να κυρτώνουν από το ίδιο τους το βάρος. Πρέπει να τοποθετείτε στηρίγματα κάτω από τα φύλλα και στις δύο πλευρές, κοντά στη γραμμή κοπής και κοντά στην άκρη του φύλλου. (Εικ. 2 και 3)
 - Για την αποφυγή του κλώστιασματος, να στηρίζετε τη σανίδα ή το φύλλο κοντά στο σημείο κοπής. Μη στηρίζετε τη σανίδα ή το φύλλο μακριά από την κοπή.**
 13. **Μη χρησιμοποιείτε δίσκους που δεν είναι κοφτεροί ή που είναι κατεστραμμένοι.** Οι δίσκοι που δεν είναι κοφτεροί ή που έχουν τοποθετηθεί λανθασμένα, δημιουργούν στενές εγκοπές, οι οποίες οδηγούν σε υπερβολική τριβή, παρεμπόδιση της κίνησης των δίσκων και κλώστιασμα.
 14. **Οι μοχλοί ασφάλισης του βάθους του δίσκου και της ρύθμισης της λοξοτομής πρέπει να είναι σφιγμένοι και ασφαλισμένοι πριν από την κοπή.** Αν η ρύθμιση του δίσκου μετακινηθεί κατά το πριόνισμα, μπορεί να εμποδίσει τη κίνηση του δίσκου και να προκληθεί κλώστιασμα.
 15. **Δώστε ιδιαίτερη προσοχή κατά το πριόνισμα σε υπάρχοντες τοίχους ή σε άλλες περιοχές για τις οποίες δεν γνωρίζετε τι κρύβουν στο εσωτερικό τους.** Εάν ο δίσκος προεξέχει, μπορεί να κόψει αντικείμενα που μπορεί να προκαλέσουν σε κλώστιασμα.
 16. **Να κρατάτε ΠΑΝΤΑ το εργαλείο καλά και με τα δύο χέρια. ΠΟΤΕ ΜΗΝ τοποθετήσετε το χέρι ή τα δάχτυλά σας πίσω από το πριόνι.** Αν συμβεί κλώστιασμα, το πριόνι μπορεί να πεταχτεί προς τα πίσω και πάνω στο χέρι σας με πιθανότητα πρόκλησης σοβαρού τραυματισμού. (Εικ. 4)
 17. **Μη ζορίζετε ποτέ το πριόνι. Να σπρώχνετε το πριόνι προς τα μπροστά με τέτοια ταχύτητα ώστε ο δίσκος να κβει χωρίς να επιβραδύνει.** Αν ζορίζετε το πριόνι μπορεί να προκληθούν ανομοιόμορφες κοπές, απώλεια ακρίβειας και πιθανώς κλώστιασμα.
- Λειτουργία κάτω προστατευτικού**
18. **Ελέγξτε αν το κάτω προστατευτικό κλείνει σωστά πριν από κάθε χρήση. Μη θέσετε σε λειτουργία το πριόνι αν το κάτω προστατευτικό δεν κινείται ελεύθερα και δεν κλείνει αμέσως. Μη συγκρατείτε και μη δένετε ποτέ το κάτω προστατευτικό στην ανοιχτή θέση.** Αν το πριόνι πέσει κάτω κατά λάθος, το κάτω προστατευτικό μπορεί να λυγίσει. Σηκώστε το κάτω προστατευτικό με τη βοήθεια της ανασυρόμενης λαβής και βεβαιωθείτε ότι κινείται ελεύθερα και δεν ακουμπά το δίσκο ή κάποιο άλλο μέρος, σε όλες τις γωνίες και τα βάρη κοπής.
 19. **Ελέγξτε τη λειτουργία του ελατηρίου του κάτω προστατευτικού. Αν το προστατευτικό και το ελατήριο δεν λειτουργούν σωστά, πρέπει να**

- επισκευαστούν πριν από τη χρήση. Το κάτω προστατευτικό μπορεί να λειτουργεί με αργό ρυθμό αν υπάρχουν κατεστραμμένα μέρη, κολλώδεις εναποθέσεις ή συσσωρευση υπολειμμάτων κοπής.
20. Το κάτω προστατευτικό μπορεί να ανασυρθεί με το χέρι μόνο για ειδικά κοψίματα, όπως “τυφλές” και “σύνθετες κοπές”. Ανεβάστε το κάτω προστατευτικό με τη βοήθεια της λαβής ανάσυρσης και μόλις ο δίσκος εισέλθει στο υλικό, αφήστε το κάτω προστατευτικό. Για κάθε άλλη εργασία πριονίσματος, το κάτω προστατευτικό πρέπει να λειτουργεί αυτόματα.
21. Να ελέγχετε πάντα εάν το κάτω προστατευτικό καλύπτει το δίσκο πριν τοποθετήσετε το πριόνι σε πάγκο ή στο πάτωμα. Εάν ο δίσκος δεν προστατεύεται και κινείται ελεύθερα, το πριόνι θα κινηθεί προς τα πίσω, κόβοντας ό,τι βρεθεί στο δρόμο του. Λάβετε υπόψη σας το χρόνο που χρειάζεται ο δίσκος για να ακινητοποιηθεί αφότου αφήσετε το διακόπτη.
22. Για να ελέγξετε το κάτω προστατευτικό, ανοίξτε το κάτω προστατευτικό με το χέρι και κατόπιν αφήστε το. Παρατηρήστε εάν κλείνει. Επίσης, βεβαιωθείτε ότι δεν ακουμπά η λαβή ανάσυρσης στο σώμα του εργαλείου. Είναι ΠΟΛΥ ΕΠΙΚΙΝΔΥΝΟ το να αφήνετε το δίσκο εκτεθειμένο και αυτό μπορεί να οδηγήσει σε σοβαρό τραυματισμό.

Επιπρόσθετες προειδοποιήσεις ασφαλείας

23. Να προσέχετε ιδιαίτερα όταν κόβετε νωπό ξύλο, ξυλεία που έχει υποστεί επεξεργασία με πίεση και ξύλο με ρόζους. Προωθείτε ομαλά το εργαλείο χωρίς να μειώνεται η ταχύτητα του δίσκου για να μην υπερθερμαίνονται τα άκρα του δίσκου.
24. Μην επιχειρήσετε να μετακινήσετε το υλικό κοπής όταν ο δίσκος κινείται. Περιμένετε μέχρι να ακινητοποιηθεί ο δίσκος πριν πιάσετε τα κομμένα τμήματα. Οι δίσκοι εξακολουθούν να περιστρέφονται μετά το σβήσιμο του εργαλείου.
25. Να αποφεύγετε την κοπή καρφιών. Ελέγξτε εάν υπάρχουν καρφιά στο ξύλο και αφαιρέστε τα όλα πριν από το κόψιμο.
26. Τοποθετήστε το πλατύτερο τμήμα της βάσης του πριόνι σε εκείνο το τμήμα του τεμαχίου εργασίας που στηρίζεται σταθερά και όχι στο τμήμα εκείνο που θα πέσει όταν θα εκτελεστεί η κοπή. Ως παραδείγματα, η Εικ. 5 δείχνει το ΣΩΣΤΟ τρόπο για να κόψετε την άκρη μιας σανίδας και η Εικ. 6 το ΛΑΝΘΑΣΜΕΝΟ τρόπο. Αν το τεμάχιο εργασίας είναι κοντό ή μικρό, στερεώστε το. ΜΗΝ ΠΡΟΣΠΑΘΗΣΕΤΕ ΝΑ ΚΡΑΤΗΣΕΤΕ ΜΙΚΡΑ ΚΟΜΜΑΤΙΑ ΜΕ ΤΟ ΧΕΡΙ! (Εικ. 5 και 6)
27. Πριν τοποθετήσετε κάτω το εργαλείο μετά το τέλος της κοπής, βεβαιωθείτε ότι έκλεισε το κάτω προστατευτικό και ακινητοποιήθηκε τελείως ο δίσκος.
28. Ποτέ μη δοκιμάσετε να πραγματοποιήσετε κοπή όταν το δισκοπριόνιο είναι στερεωμένο ανάποδα σε μέγγενη. Αυτό είναι εξαιρετικά επικίνδυνο και μπορεί να οδηγήσει σε σοβαρά ατυχήματα. (Εικ. 7)
29. Μερικά υλικά περιέχουν χημικές ουσίες που μπορεί να είναι τοξικές. Να προσέχετε ώστε να αποφεύγετε την εισπνοή της σκόνης και την επαφή με το δέρμα. Ακολουθείτε τα δεδομένα

ασφάλειας υλικού που παρέχονται από τον προμηθευτή.

30. Μην σταματάτε τους δίσκους με πλευρική πίεση στον πριονόδισκο.
31. Μη χρησιμοποιείτε οποιοδήποτε λειαντικό δίσκο.
32. Χρησιμοποιήστε μόνο πριονόδισκους που έχουν διάμετρο ίση με αυτή που αναγράφεται πάνω στο εργαλείο ή καθορίζεται στο εγχειρίδιο. Η χρήση ενός δίσκου λανθασμένου μεγέθους μπορεί να επηρεάσει τη σωστή προστασία του δίσκου ή τη λειτουργία προστασίας, πράγμα που θα μπορούσε να οδηγήσει σε σοβαρό τραυματισμό.
33. Να διατηρείτε το δίσκο καθαρό και καθαρό. Η κόλλα και το ρετσίνο που έχουν ξεραθεί επάνω στους δίσκους επιβραδύνουν το πριόνι και αυξάνουν την πιθανότητα κλωστοϋλικού. Διατηρείτε το δίσκο καθαρό βγάζοντάς τον από το εργαλείο, στη συνέχεια καθαρίζοντάς τον με προϊόντα αφαίρεσης κόλλας και ρετσίνο, με ζεστό νερό ή κηροζίνη. Μη χρησιμοποιείτε ποτέ βενζίνη.
34. Να φοράτε προσωπίδα κατά της σκόνης και ωτοασπίδες όταν χρησιμοποιείτε το εργαλείο.

ΦΥΛΑΞΤΕ ΑΥΤΕΣ ΤΙΣ ΟΔΗΓΙΕΣ.

⚠️ ΠΡΟΕΙΔΟΠΟΙΗΣΗ:

ΜΗΝ αφήσετε την άνεση ή την εξοικειωσή σας με το προϊόν (που αποκτήθηκε από επανειλημμένη χρήση) να αντικαταστήσει την αυστηρή προσήλωση στους κανόνες ασφαλείας του εν λόγω προϊόντος. Η ΛΑΝΘΑΣΜΕΝΗ ΧΡΗΣΗ ή η μη τήρηση των κανόνων ασφαλείας που διατυπώνονται στο παρόν εγχειρίδιο οδηγίων μπορεί να προκαλέσει σοβαρό τραυματισμό.

ΣΗΜΑΝΤΙΚΕΣ ΟΔΗΓΙΕΣ ΑΣΦΑΛΕΙΑΣ

ENC007-8

ΓΙΑ ΤΗΝ ΜΠΑΤΑΡΙΑ

1. Πριν χρησιμοποιήσετε την μπαταρία, διαβάστε όλες τις οδηγίες και τις ενδείξεις προφύλαξης στο (1) φορητή μπαταρία, (2) την μπαταρία και (3) το προϊόν στο οποίο χρησιμοποιείται η μπαταρία.
 2. Μην αποσυναρμολογείτε την μπαταρία.
 3. Αν ο χρόνος λειτουργίας της μπαταρίας είναι υπερβολικά σύντομος, διακόψτε αμέσως τη λειτουργία. Αν συνεχίσετε, μπορεί να έχει ως αποτέλεσμα τον κίνδυνο υπερθέρμανσης, πιθανών εγκαυμάτων και ακόμη έκρηξης.
 4. Αν μπει στα μάτια σας ηλεκτρολύτης, ξεπλύνετε με καθαρό νερό και αναζητήστε αμέσως ιατρική βοήθεια. Μπορεί να χάσετε την όρασή σας.
 5. Μη βραχυκυκλώνετε την μπαταρία:
 - (1) Μην αγγίζετε τους ακροδέκτες με αγώγιμο υλικό.
 - (2) Μην αποθηκεύετε την μπαταρία σε δοχείο με άλλα μεταλλικά αντικείμενα, όπως καρφιά, νομίσματα, κτλ.
 - (3) Μην εκθέτετε την μπαταρία σε νερό ή βροχή.
- Αν βραχυκυκλωθεί η μπαταρία, μπορεί να προκαληθεί μεγάλη ροή ηλεκτρικού ρεύματος, υπερθέρμανση, πιθανά εγκαύματα και ακόμη και καταστροφή της μπαταρίας.

- Μην αποθηκεύετε το εργαλείο και την μπαταρία σε μέρα όπου η θερμοκρασία μπορεί να φτάσει ή να ξεπεράσει τους 50°C (122°F).
- Μην αποτεφρώνετε την μπαταρία ακόμη κι αν παρουσιάζει σοβαρή ζημιά ή είναι εντελώς φθαρμένη. Η μπαταρία μπορεί να εκραγεί σε φωτιά.
- Να προσέχετε να μη σας πέσει η μπαταρία και να μη συγκρουστεί με κάποιο αντικείμενο.
- Μη χρησιμοποιείτε μια μπαταρία που έχει υποστεί βλάβη.
- Ακολουθήστε τους τοπικούς κανονισμούς σχετικά με την απόρριψη της μπαταρίας.

ΦΥΛΑΞΤΕ ΑΥΤΕΣ ΤΙΣ ΟΔΗΓΙΕΣ.

Συμβουλές για τη διατήρηση της μέγιστης ζωής της μπαταρίας

- Να φορτίζετε την μπαταρία πριν αποφορτιστεί εντελώς.
Πάντοτε να διακόπτετε τη λειτουργία του εργαλείου και να φορτίζετε την μπαταρία όταν παρατηρείται μειωμένη ισχύ του εργαλείου.
- Ποτέ μην επαναφορτίζετε μια πλήρως φορτισμένη μπαταρία.
Αν υπερφορτίσετε την μπαταρία, μειώνεται η ωφέλιμη διάρκεια ζωής της.
- Να φορτίζετε την μπαταρία σε θερμοκρασία δωματίου, δηλαδή στους 10°C έως 40°C (50°F έως 104°F). Αν η μπαταρία είναι θερμή, αφήστε την να ψυχθεί πριν τη φορτίσετε.
- Να φορτίζετε την κασέτα μπαταρία μια φορά κάθε έξι μήνες όταν δεν τη χρησιμοποιείτε για μεγάλο χρονικό διάστημα.

ΠΕΡΙΓΡΑΦΗ ΛΕΙΤΟΥΡΓΙΑΣ

⚠ ΠΡΟΣΟΧΗ:

- Να βεβαιώνετε πάντοτε ότι έχετε σβήσει το εργαλείο και έχετε βγάλει την κασέτα μπαταρίας πριν ρυθμίσετε ή ελέγξετε κάποια λειτουργία του εργαλείου.

Τοποθέτηση ή αφαίρεση της κασέτας μπαταρίας (Εικ. 8)

⚠ ΠΡΟΣΟΧΗ:

- Πάντοτε να απενεργοποιείτε το εργαλείο πριν από την τοποθέτηση ή την αφαίρεση της κασέτας μπαταρίας.
- Κρατήστε το εργαλείο και την κασέτα μπαταρίας γερά κατά την τοποθέτηση ή την αφαίρεση της κασέτας μπαταρίας. Εάν δεν κρατήσετε γερά το εργαλείο και την κασέτα μπαταρίας μπορεί να γλιστρήσουν από τα χέρια σας και να προκληθεί ζημιά στο εργαλείο και στην κασέτα μπαταρίας αλλά και προσωπικός τραυματισμός.

Για να βγάλετε την κασέτα μπαταρίας, σύρετε την από το εργαλείο σέρνοντας το κουμπί στο μπροστινό μέρος της κασέτας.

Για να τοποθετήσετε την κασέτα μπαταρίας, ευθυγραμμίστε τη γλωττίδα της κασέτας μπαταρίας με την εγκοπή στο περίβλημα και σύρετε τη στη θέση της. Τοποθετήστε την έως το τέρμα, δηλαδή έως όπου ασφαλίσει στη θέση της και ακουστεί ένας χαρακτηριστικός ήχος "κλικ". Αν μπορείτε να δείτε την

κόκκινη ένδειξη στην πάνω πλευρά του κουμπιού, η μπαταρία δεν είναι πλήρως ασφαλισμένη.

⚠ ΠΡΟΣΟΧΗ:

- Πάντοτε να τοποθετείτε πλήρως την κασέτα μπαταρίας έως όπου να μη φαίνεται η κόκκινη ένδειξη. Σε αντίθετη περίπτωση, μπορεί να πέσει κατά λάθος από το εργαλείο και να τραυματίσει εσάς ή κάποιον παρευρισκόμενο.
- Μην εισάγετε με τη βία την κασέτα μπαταρίας. Αν η κασέτα δεν ολισθαίνει με ευκολία, δεν την εισαγάγετε σωστά.

ΣΗΜΕΙΩΣΗ:

- Όταν η κασέτα μπαταρίας δεν αφαιρείται εύκολα, στρώστε την από την απέναντι πλευρά του κουμπιού και σύρετέ την.

Δράση διακόπτη

⚠ ΠΡΟΣΟΧΗ:

- Πριν την τοποθέτηση της κασέτας μπαταρίας στο εργαλείο, πάντοτε να ελέγχετε ότι η σκανδάλη-διακόπτης ενεργοποιείται κανονικά και επιστρέφει στη θέση "OFF" όταν την αφήνετε.
 - Μην τραβάτε τη σκανδάλη-διακόπτη με βία χωρίς να πιέζετε το μοχλό απασφάλισης. Αυτό μπορεί να προκαλέσει το σπάσιμο του διακόπτη. (Εικ. 9)
- Για να μην τραβηχτεί ο διακόπτης κατά λάθος, υπάρχει ένας μοχλός απασφάλισης. Για να ξεκινήσετε τη λειτουργία του εργαλείου, πιέστε το μοχλό ασφάλισης και τραβήξτε τη σκανδάλη-διακόπτη ταυτόχρονα. Για να σταματήσετε το εργαλείο, αφήστε τη σκανδάλη-διακόπτη.

⚠ ΠΡΟΕΙΔΟΠΟΙΗΣΗ:

- Για την ασφάλεια σας, το εργαλείο αυτό παρέχεται με μοχλό απασφάλισης, ο οποίος αποτρέπει την ενεργοποίηση του εργαλείου κατά λάθος. Μη χρησιμοποιήσετε ΠΟΤΕ το εργαλείο αν μπορείτε να το θέσετε σε λειτουργία πιέζοντας απλά τη σκανδάλη-διακόπτη, χωρίς να πιέζετε και το μοχλό απασφάλισης. Στείλτε το εργαλείο σε κέντρο σέρβις της MAKITA για να επισκευαστεί σωστά ΠΡΙΝ το χρησιμοποιήσετε ξανά.
- ΠΟΤΕ μην κολλάτε με ταινία στο μοχλό απασφάλισης και μην ακυρώσετε το λόγο ύπαρξης και τη λειτουργία του.

Ένδειξη εναπομένουσας ισχύος της μπαταρίας (Εικ. 10)

Όταν ενεργοποιείτε το εργαλείο, ο δείκτης της μπαταρίας εμφανίζει την υπολειπόμενη ισχύ της μπαταρίας. Η υπολειπόμενη ισχύς της μπαταρίας παρουσιάζεται όπως δείχνει ο παρακάτω πίνακας.

| Κατάσταση δείκτη μπαταρίας | | Εναπομένουσα ισχύς μπαταρίας |
|----------------------------|-----------|------------------------------|
| : Αναμμένος | : Σβηστός | |
| | | 50% - 100% |
| | | 20% - 50% |
| | | 0% - 20% |
| | | Φορτίστε την μπαταρία |

015146

Λειτουργία αυτόματης αλλαγής ταχύτητας (Εικ. 11)

| Κατάσταση δείκτη τρόπου λειτουργίας | Τρόπος λειτουργίας |
|-------------------------------------|-----------------------------|
| | Λειτουργία υψηλής ταχύτητας |
| | Λειτουργία υψηλής ροπής |

015137

Αυτή η συσκευή διαθέτει "λειτουργία υψηλής ταχύτητας" και "λειτουργία υψηλής ροπής". Αυτόματα αλλάζει τρόπο λειτουργίας ανάλογα με το φόρτο εργασίας. Όταν ο δείκτης λειτουργίας ανάβει κατά τη λειτουργία, η συσκευή βρίσκεται στη λειτουργία υψηλής ροπής.

Σύστημα προστασίας εργαλείου/ μπαταρίας

Το εργαλείο είναι εφοδιασμένο με ένα σύστημα προστασίας εργαλείου/μπαταρίας. Αυτό το σύστημα διακόπτει αυτόματα το ρεύμα στον κινητήρα για να παρατείνεται η διάρκεια ζωής του εργαλείου και της μπαταρίας.

Το εργαλείο θα σταματήσει αυτόματα κατά τη λειτουργία όταν το εργαλείο ή η μπαταρία υποστούν μια από τις παρακάτω συνθήκες. Σε ορισμένες περιπτώσεις ανάβει ο δείκτης.

Προστασία υπερφόρτωσης

Όταν το εργαλείο λειτουργεί με τρόπο που το κάνει να τραβά μια ασυνήθιστα μεγάλη ποσότητα ρεύματος, το εργαλείο σταματά αυτόματα χωρίς κάποια ένδειξη. Στην περίπτωση αυτή, σβήστε το εργαλείο και σταματήστε την εφαρμογή που προκάλεσε την υπερφόρτωση του εργαλείου. Στη συνέχεια ενεργοποιήστε το εργαλείο για να ξαναρχίσετε πάλι.

Προστασία υπερθέρμανσης για το εργαλείο

Όταν το εργαλείο έχει υπερθερμανθεί, το εργαλείο σταματά αυτόματα και ο δείκτης δείχνει την ακόλουθη κατάσταση. Στην περίπτωση αυτή, αφήστε το εργαλείο να κρυώσει πριν ενεργοποιήσετε ξανά το εργαλείο.

| Δείκτης μπαταρίας | : Αναμμένος | : Σβηστός | : Αναβοσβήνει |
|-------------------|-------------|--------------------------------|---------------|
| | | Το εργαλείο έχει υπερθερμανθεί | |

015145

Απενεργοποίηση ασφάλειας προστασίας

Όταν το σύστημα προστασίας λειτουργεί επανειλημμένα, το εργαλείο κλειδώνει και ο δείκτης της μπαταρίας εμφανίζει την ακόλουθη κατάσταση.

| Δείκτης μπαταρίας | : Αναμμένος | : Σβηστός | : Αναβοσβήνει |
|-------------------|-------------|----------------------------------|---------------|
| | | Λειτουργεί η ασφάλεια προστασίας | |

015201

Σε αυτή την κατάσταση, το εργαλείο δεν ξεκινά ακόμη και αν το εργαλείο ενεργοποιηθεί και στη συνέχεια τεθεί εκτός λειτουργίας. Για να απενεργοποιήσετε την ασφάλεια προστασίας, αφαιρέστε την μπαταρία, τοποθετήστε την στο φορτιστή μπαταρίας και περιμένετε μέχρι να ολοκληρωθεί η φόρτιση.

Ρύθμιση του βάθους κοπής

⚠ ΠΡΟΣΟΧΗ:

- Μετά τη ρύθμιση του βάθους κοπής, πάντοτε να σφίγγετε καλά το μοχλό.

Ξεσφίξτε τον μοχλό στην πλευρά της πίσω λαβής και μετακινήστε τη βάση προς τα πάνω ή προς τα κάτω. Στο επιθυμητό βάθος κοπής, ασφαλίστε τη βάση σφίγγοντας τον μοχλό. (Εικ. 12)

Για ακρίβεια και ασφάλεια κατά την κοπή, ρυθμίστε το βάθος κοπής ώστε μόνο ένα δόντι του δίσκου να προεξέχει κάτω από το τεμάχιο εργασίας. Η χρήση κατάλληλου βάθους κοπής συμβάλλει στη μείωση της πιθανότητας επικίνδυνου ΚΛΩΤΣΗΜΑΤΟΣ που μπορεί να προκαλέσει τραυματισμό.

Κόψιμο υπό κλίση

Ξεσφίξτε τον μπροστινό μοχλό. Ρυθμίστε την επιθυμητή γωνία (0° - 50°) δίνοντας την κατάλληλη κλίση και έπειτα σφίξτε καλά τον μπροστινό μοχλό. (Εικ. 13)
Χρησιμοποιήστε τον αναστολέα 45° όταν θέλετε να πραγματοποιήσετε κοπή ακριβώς στις 45°. Γυρίστε τον αναστολέα πλήρως αριστερόστροφα για λοξές κοπές (0° έως 45°) και γυρίστε τον δεξιόστροφα για λοξές κοπές 0° έως 50°. (Εικ. 14)

Στόχευση (Εικ. 15)

Για ευθείες κοπές, ευθυγραμμίστε τη θέση 0° στο μπροστινό μέρος της βάσης με τη γραμμή κοπής. Για λοξοτομές 45°, ευθυγραμμίστε τη θέση 45° με αυτήν. Η θέση του πάνω οδηγού είναι ρυθμιζόμενη.

Αναμμα λαμπτήρα

ΠΡΟΣΟΧΗ:

- Μην κοπιάτε κατευθείαν μέσα στο λαμπτήρα ή στην πηγή του φωτός του λαμπτήρα. (Εικ. 16)

Για να ανάψετε το λαμπτήρα, τραβήξτε την σκανδάλη-διακόπτη χωρίς να πιέζετε το μοχλό απασφάλισης. Για να ανάψετε το λαμπτήρα και να θέσετε το εργαλείο σε λειτουργία, πιάστε τον μοχλό απασφάλισης και τραβήξτε την σκανδάλη-διακόπτη ταυτόχρονα. Ο λαμπτήρας εξακολουθεί να είναι αναμμένος όσο πιέζετε τη θήκη σκανδάλη-διακόπτης. Ο λαμπτήρας σβήνει 10 έως 15 δευτερόλεπτα αφότου αφήσετε την σκανδάλη.

ΣΗΜΕΙΩΣΗ:

- Χρησιμοποιήστε ένα στεγνό πανί για να σκουπίσετε τη βρωμιά από το φακό του λαμπτήρα. Προσέχετε να μην γρατζουνίσετε το φακό του λαμπτήρα, επειδή μπορεί να μειωθεί η ένταση του φωτισμού.
- Μη χρησιμοποιείτε βενζίνη, διαλυτικό ή παρόμοια υλικά για να καθαρίσετε το φακό του λαμπτήρα. Αν χρησιμοποιήσετε τέτοιες ουσίες, θα καταστρέψετε το φακό.

Άγκιστρο

ΠΡΟΣΟΧΗ:

- Πάντοτε να αφαιρείτε την μπαταρία όταν κρεμάτε το εργαλείο από το άγκιστρο.
- Μην κρεμάτε ποτέ το εργαλείο σε υψηλή τοποθεσία ή σε μια πιθανώς ασταθή επιφάνεια.

Το άγκιστρο είναι βολικό για το προσωρινό κρέμασμα του εργαλείου. Για να χρησιμοποιήσετε το άγκιστρο, απλά περιστρέψτε το έως ότου ασφαλίσει στην ανοιχτή θέση. Όταν δεν χρησιμοποιείτε το άγκιστρο, να το χαμηλώνετε πάντοτε έως ότου ασφαλίσει στην κλειστή θέση. (Εικ. 17)

ΣΥΝΑΡΜΟΛΟΓΗΣΗ

ΠΡΟΣΟΧΗ:

- Να βεβαιώνετε πάντοτε ότι έχετε σβήσει το εργαλείο και έχετε βγάλει την κασέτα μπαταρίας πριν εκτελέσετε οποιαδήποτε εργασία σε αυτό.

Αφαίρεση ή τοποθέτηση πριονόδισκου

ΠΡΟΣΟΧΗ:

- Βεβαιωθείτε ότι ο δίσκος είναι τοποθετημένος με τα δόντια στραμμένα προς τα πάνω στο μπροστινό μέρος του εργαλείου.
- Να χρησιμοποιείτε μόνο το κλειδί της Makita για να τοποθετήσετε ή για να αφαιρέσετε τον δίσκο.

Για να αφαιρέσετε τον δίσκο, πιάστε την ασφάλεια του άξονα ώστε να μην μπορεί να περιστραφεί ο δίσκος και χρησιμοποιήστε το κλειδί για να ξεσφίξετε το εξάγωνο μπουλόνι γυρίζοντάς το δεξιόστροφα. Κατόπιν, αφαιρέστε το εξάγωνο μπουλόνι, την εξωτερική φλάντζα και το δίσκο. (Εικ. 18 και 19)

Για να τοποθετήσετε το δίσκο, ακολουθήστε τη διαδικασία αφαίρεσης με αντίστροφη σειρά. ΒΕΒΑΙΩΘΕΙΤΕ ΟΤΙ ΣΦΙΞΑΤΕ ΣΦΙΞΕΤΕ ΚΑΛΑ ΤΟ ΕΞΑΓΩΝΟ ΜΠΟΥΛΟΝΙ ΣΤΡΕΦΟΝΤΑΣ ΤΟ ΑΡΙΣΤΕΡΟΣΤΡΟΦΑ.

Όταν αλλάζετε δίσκους, φροντίστε να καθαρίσετε επίσης το πάνω και κάτω προστατευτικό του δίσκου από τη συσσωρευμένη πριονόσκονη όπως περιγράφεται στην ενότητα "Συντήρηση". Ωστόσο, οι ενέργειες αυτές δεν

αντικαθιστούν την ανάγκη για έλεγχο της λειτουργίας του κάτω προστατευτικού πριν από κάθε χρήση.

Για εργαλείο με εσωτερική φλάντζα για πριονόδισκο διαμέτρου οπής διαφορετικής των 15,88 mm

ΠΡΟΣΟΧΗ:

- Βεβαιωθείτε ότι η προεξοχή "a" στην εσωτερική φλάντζα, που τοποθετείται εξωτερικά, ταιριάζει τέλεια στην τρύπα "a" του δισκοπρίονου.** Η τοποθέτηση του δίσκου στη λάθος πλευρά μπορεί να οδηγήσει σε επικίνδυνες δομήσεις.

Η εσωτερική φλάντζα έχει μια προεξοχή με ορισμένη διάμετρο στη μια πλευρά της και μια προεξοχή με διαφορετική διάμετρο στην άλλη πλευρά. Επιλέξτε τη σωστή πλευρά στην οποία ταιριάζει τέλεια η τρύπα του πριονόδισκου.

Κατόπιν, τοποθετήστε την εσωτερική φλάντζα πάνω στον άξονα στερέωσης, έτσι ώστε η σωστή πλευρά της προεξοχής της εσωτερικής φλάντζας να βλέπει προς τα έξω και στη συνέχεια τοποθετήστε τον πριονόδισκο και την εξωτερική φλάντζα. (Εικ. 20)

ΒΕΒΑΙΩΘΕΙΤΕ ΟΤΙ ΣΦΙΞΑΤΕ ΚΑΛΑ ΤΟ ΕΞΑΓΩΝΟ ΜΠΟΥΛΟΝΙ ΣΤΡΕΦΟΝΤΑΣ ΤΟ ΑΡΙΣΤΕΡΟΣΤΡΟΦΑ.

Για εργαλείο με εσωτερική φλάντζα για πριονόδισκο με τρύπα διαμέτρου 15,88 mm (ανάλογα με τη χώρα) (Εικ. 21 και 22)

Στερεώστε την εσωτερική φλάντζα με την πλευρά της εσοχής στραμμένη προς τα έξω και πάνω στον άξονα στερέωσης και στη συνέχεια τοποθετήστε τον πριονόδισκο (με συνδεδεμένο τον δακτύλιο αν απαιτείται), την εξωτερική φλάντζα και το εξάγωνο μπουλόνι.

ΒΕΒΑΙΩΘΕΙΤΕ ΟΤΙ ΣΦΙΞΑΤΕ ΚΑΛΑ ΤΟ ΕΞΑΓΩΝΟ ΜΠΟΥΛΟΝΙ ΣΤΡΕΦΟΝΤΑΣ ΤΟ ΑΡΙΣΤΕΡΟΣΤΡΟΦΑ.

ΠΡΟΕΙΔΟΠΟΙΗΣΗ:

- Πριν στερεώσετε τον δίσκο επάνω στην άτρακτο, να βεβαιώνετε πάντοτε ότι είναι τοποθετημένος στην άτρακτο ο σωστός δακτύλιος ανάμεσα στην εσωτερική και στην εξωτερική φλάντζα για την τρύπα του άξονα του δίσκου που σκοπεύετε να χρησιμοποιήσετε.** Ο λανθασμένος δακτύλιος της τρύπας της άτρακτου μπορεί να προκαλέσει την εσφαλμένη στερέωση του δίσκου προκαλώντας την κίνηση του δίσκου και την έντονη δόνηση, επιφέροντας την πιθανή απώλεια του ελέγχου κατά τη λειτουργία και το σοβαρό προσωπικό τραυματισμό.

Αποθήκευση εξάγωνου κλειδιού (Εικ. 23)

Όταν δεν χρησιμοποιείτε το εξάγωνο κλειδί, αποθηκεύστε το, όπως δείχνεται, για να μην το χάσετε.

Σύνδεση ηλεκτρικής σκούπας (μόνο για Ευρωπαϊκές χώρες) (Εικ. 24 και 25)

Εάν θέλετε να εκτελέσετε κοπές καθαρά, συνδέστε την ηλεκτρική σκούπα της Makita στο εργαλείο που διαθέτετε. Τοποθετήστε το στόμιο σκόνης στο εργαλείο χρησιμοποιώντας τη βίδα. Κατόπιν συνδέστε τον εύκαμπτο σωλήνα της ηλεκτρικής σκούπας στο στόμιο σκόνης όπως δείχνεται στην εικόνα.

ΛΕΙΤΟΥΡΓΙΑ

ΠΡΟΣΟΧΗ:

- Φροντίστε να μετακινείτε ομαλά το εργαλείο προς τα μπροστά, σε ευθεία γραμμή. Αν πιέσετε ή στρέψετε το εργαλείο, ενδέχεται να υπερθερμανθεί το μοτέρ και να προκληθεί επικίνδυνο κλώσθημα, που πιθανώς να προκαλέσει σοβαρό τραυματισμό.
- Να χρησιμοποιείτε πάντα την μπροστινή λαβή και το πίσω χερούλι και κατά τη λειτουργία να κρατάτε το εργαλείο καλά και από την μπροστινή λαβή και από το πίσω χερούλι. (Εικ. 26)

Να κρατάτε το εργαλείο σταθερά. Το εργαλείο είναι εξοπλισμένο με μπροστινή λαβή και με πίσω χερούλι. Να χρησιμοποιείτε και τα δύο για να έχετε καλύτερο κράτημα του εργαλείου. Αν κρατάτε το πριόνι και με τα δύο χέρια, δεν είναι δυνατό να κοπούν από το δίσκο. Τοποθετήστε τη βάση στο τεμαχίο εργασίας, χωρίς ο δίσκος να το ακουμπά. Κατόπιν, ενεργοποιήστε το εργαλείο και περιμένετε έως ότου ο δίσκος αποκτήσει την πλήρη ταχύτητά του. Τότε, απλά μετακινήστε το εργαλείο προς τα εμπρός πάνω στην επιφάνεια του τεμαχίου εργασίας, κρατώντας το επίπεδο και προωθώντας το ομαλά μέχρι να ολοκληρωθεί η κοπή.

Για να πετύχετε ακριβείς κοπές, κρατήστε τη γραμμή κοπής ευθεία και την ταχύτητα προώθησης σταθερή. Εάν η κοπή δεν ακολουθήσει σωστά την προοριζόμενη γραμμή κοπής, μην επιχειρήσετε να γυρίσετε ή να πιέσετε το εργαλείο ξανά στη γραμμή κοπής. Αυτό ενδεχομένως να προκαλέσει την παρεμπόδιση της κίνησης του δίσκου και να οδηγήσει σε ένα επικίνδυνο κλώσθημα και πιθανώς ΣΕ σοβαρό τραυματισμό. Αφήστε τον διακόπτη, περιμένετε να ακινητοποιηθεί ο δίσκος και κατόπιν αποσύρετε το εργαλείο. Ευθυγραμμίστε ξανά το εργαλείο σε καινούργια γραμμή κοπής και ξεκινήστε ξανά την κοπή. Προσπαθήστε να αποφύγετε μια θέση η οποία αφήνει εκτεθειμένο το χειριστή σε θραύσματα και πριονιδια που εκτοξεύονται από το πριόνι. Χρησιμοποιήστε προστατευτικά ματιών για την αποφυγή τραυματισμού.

Προστατευτικό κοπής (Οδηγός κανόνας) (προαιρετικό εξάρτημα) (Εικ. 27)

Το πρακτικό προστατευτικό κοπής σας επιτρέπει να κάνετε ευθείες κοπές με μεγάλη ακρίβεια. Απλά ολισθήστε το προστατευτικό κοπής μέχρι να ακουμπήσετε στην πλευρά του τεμαχίου εργασίας και ασφαλίστε τον στην θέση του με τη βίδα σύσφιξης στο μπροστινό μέρος της βάσης. Έτσι είναι επίσης δυνατή η επαναλαμβανόμενη κοπή κομματιών σταθερού πλάτους.

ΣΥΝΤΗΡΗΣΗ

ΠΡΟΣΟΧΗ:

- Να βεβαιώνετε πάντοτε ότι έχετε σβήσει το εργαλείο και έχετε βγάλει την κασέτα μπαταρίας πριν εκτελέσετε οποιαδήποτε εργασία σε αυτό.
- **Καθαρίστε το πάνω και κάτω προστατευτικό για να εξασφαλίσετε ότι δεν υπάρχει συσσωρευμένη πριονοσκονη που ενδέχεται να παρεμποδίσει τη λειτουργία του κάτω προστατευτικού συστήματος.** Ένα βρώμικο προστατευτικό σύστημα μπορεί να μειώσει την εύρυθμη λειτουργία πράγμα που θα μπορούσε να οδηγήσει σε σοβαρό τραυματισμό. Ο πιο αποτελεσματικός τρόπος για να επιτευχθεί αυτός ο

καθαρισμός είναι η χρήση πεπιεσμένου αέρα. **Αν πετάγεται η σκόνη με τον αέρα έξω από τα προστατευτικά φροντίστε να χρησιμοποιήσετε τα κατάλληλα προστατευτικά μέσα για την αναπνοή και τα μάτια.**

- Μην χρησιμοποιήσετε βενζίνη, βενζόλη, διαλυτικό, αλκοόλη ή κάτι παρόμοιο. Μπορεί να προκληθεί αποχρωματισμός, παραμόρφωση ή ρωγμές.

Ρύθμιση για ακρίβεια κοπής 0° και 45° (κάθετη κοπή και κοπή 45°) (Εικ. 28 και 29)

Αυτή η ρύθμιση έχει γίνει στο εργοστάσιο. Εάν όμως απορρυθμιστεί, προσαρμόστε τις βίδες ρύθμισης με τη βοήθεια εξάγωνου κλειδιού ελέγχοντας ότι η γωνία μεταξύ της βάσης και του δίσκου είναι 0° ή 45° με τη χρήση τρίγωνου ή τετράγωνου κανόνα κανόνα κτλ. Χρησιμοποιήστε τον αναστολέα 45° για τη ρύθμιση της γωνίας των 45°.

Ρύθμιση του οδηγού λοξοτομής (Εικ. 30)

Ο οδηγός λοξοτομής έχει ρυθμιστεί στο εργοστάσιο. Εντούτοις αν υπάρχει εκτροπή, μπορείτε να τον ρυθμίσετε ακολουθώντας την παρακάτω διαδικασία. Για να ρυθμίσετε τον οδηγό λοξοτομής, ξεσφίξτε τις δύο βίδες. Ευθυγραμμίστε τη γραμμή 0° στον οδηγό λοξοτομής με τον οδηγό στη βάση όταν η βάση ρυθμιστεί στη γωνία των 0°.

Για να διατηρείται η ΑΣΦΑΛΕΙΑ και η ΑΞΙΟΠΙΣΤΙΑ του προϊόντος, οι εργασίες επισκευής, καθώς και οποιαδήποτε άλλη εργασία συντήρησης ή ρύθμισης, θα πρέπει να εκτελούνται σε εξουσιοδοτημένα κέντρα σέρβις της Makita, και πάντοτε με τη χρήση ανταλλακτικών της Makita.

ΠΡΟΑΙΡΕΤΙΚΑ ΑΞΕΣΟΥΑΡ

ΠΡΟΣΟΧΗ:

- Συνιστάται η χρήση αυτών των αξεσουάρ ή εξαρτημάτων με το εργαλείο της Makita, όπως περιγράφεται στο παρόν εγχειρίδιο. Αν χρησιμοποιήσετε άλλα αξεσουάρ ή εξαρτήματα μπορεί να παρουσιαστεί κίνδυνος για πρόκληση τραυματισμού προσώπων. Να χρησιμοποιείτε τα αξεσουάρ και τα εξαρτήματα μόνο για το σκοπό για τον οποίο προορίζονται.

Αν χρειάζεστε κάποια βοήθεια ή περισσότερες πληροφορίες σχετικά με τα αξεσουάρ αυτά, απευθυνθείτε στο πλησιέστερο κέντρο εξυπηρέτησης της Makita.

- Πριονόδισκοι
- Προστατευτικό κοπής (Οδηγός κανόνας)
- Οδηγητική ράγα
- Προσαρμογέας οδηγητικής ράγας
- Ράβδος χάρακα
- Στόμιο σκόνης
- Εξάγωνο κλειδί
- Αυθεντική μπαταρία και φορτιστής της Makita

ΣΗΜΕΙΩΣΗ:

- Ορισμένα από τα στοιχεία της λίστας μπορεί να περιέχονται στη συσκευασία του εργαλείου ως κανονικά αξεσουάρ. Αυτά ενδέχεται να διαφέρουν από χώρα σε χώρα.

Θόρυβος

ENG905-1

Το σύνθετες σταθμισμένο επίπεδο θορύβου που έχει καθοριστεί σύμφωνα με την EN60745:

Επίπεδο ηχητικής πίεσης (L_{pA}): 83 dB (A)

Επίπεδο ηχητικής ισχύος (L_{WA}): 94 dB (A)

Αβεβαιότητα (K): 3 dB (A)

Να φοράτε ωτοασπίδες.

Δόνηση

ENG900-1

Η συνολική τιμή δόνησης (διανυσματικό άθροισμα τριών αξόνων) που έχει καθοριστεί σύμφωνα με την EN60745:

Λειτουργία: κοπή ξυλείας

Εκπομπή δόνησης ($a_{h,W}$): 2,5 m/s² ή λιγότερο

Αβεβαιότητα (K): 1,5 m/s²

ENG901-1

- Η δηλωθείσα τιμή των παραγομένων κραδασμών έχει καταμετρηθεί σύμφωνα με την τυποποιημένη μέθοδο δοκιμασίας και μπορεί να χρησιμοποιηθεί για την σύγκριση ενός εργαλείου με ένα άλλο.
- Η δηλωθείσα τιμή των παραγομένων κραδασμών μπορεί επίσης να χρησιμοποιηθεί για μια προκαταρκτική αξιολόγηση της έκθεσης στους κραδασμούς.

ΠΡΟΕΙΔΟΠΟΙΗΣΗ:

- Η εκπομπή κραδασμών κατά τη διάρκεια της πραγματικής χρήσης του ηλεκτρικού εργαλείου μπορεί να διαφέρει από τη δηλωθείσα τιμή των εκπομπών, ανάλογα με τον τρόπο με τον οποίο χρησιμοποιείται το εργαλείο.
- Φροντίστε να λάβετε τα μέτρα ασφαλείας που απαιτούνται για την προστασία του χρήστη που βασίζονται σε μια εκτίμηση της έκθεσης σε πραγματικές συνθήκες χρήσης (λαμβάνοντας υπόψη όλα τα μέρη του κύκλου λειτουργίας, όπως είναι οι περιπτώσεις κατά τις οποίες το εργαλείο είναι απενεργοποιημένο και όταν λειτουργεί στο ρελαντί επιπροσθέτως του χρόνου κατά τον οποίο το εργαλείο βρίσκεται σε χρήση).

Για τις ευρωπαϊκές χώρες μόνο

ENH101-18

ΕΚ – Δήλωση συμμόρφωσης

Η Makita δηλώνει ότι το παρακάτω μηχάνημα(τα):

Όνομασία μηχανήματος:

Φορητό δισκοπρίονο

Αρ. Μοντέλου/Τύπος: DHS680

Συμμορφώνονται με τις ακόλουθες Ευρωπαϊκές

Οδηγίες:

2006/42/EK

Κατασκευάζονται σύμφωνα με το παρακάτω πρότυπο ή τυποποιημένα έγγραφα:

EN60745

Το τεχνικό αρχείο σύμφωνα με την 2006/42/EK είναι διαθέσιμο από:

Makita, Jan-Baptist Vinkstraat 2, 3070, Belgium

18. 3. 2014



Yasushi Fukaya

Διευθυντής

Makita, Jan-Baptist Vinkstraat 2, 3070, Belgium

TÜRKÇE (Orijinal talimatlar)

Genel görünüm

| | | |
|------------------------------|--------------------|---------------------------------------|
| 1. Dügme | 14. Vida | 27. Montaj şaftı |
| 2. Kırmızı gösterge | 15. Lamba | 28. Halka |
| 3. Akü | 16. Kanca | 29. Toz nozülü |
| 4. Açma/kapama düğmesi | 17. Kapanır | 30. Elektrik süpürgesi |
| 5. Kilitleme mandalı | 18. Açılır | 31. Hortum |
| 6. Akü göstergesi | 19. Alyan anahtarı | 32. Sıkıştırma vidası |
| 7. Mod göstergesi | 20. Şaft kilidi | 33. Kılavuz mesnedi (Kılavuz cetveli) |
| 8. Mandal | 21. Sıkılır | 34. 45° ayar vidası |
| 9. Derinlik kılavuzu | 22. Gevşer | 35. 0° ayar vidası |
| 10. Ön mandal | 23. İç flanş | 36. Üçgen gönye |
| 11. Stoper | 24. Testere bıçağı | 37. Açılı kılavuz |
| 12. Kesim hattı (0° konumu) | 25. Dış flanş | 38. Kılavuz |
| 13. Kesim hattı (45° konumu) | 26. Civata | |

TEKNİK ÖZELLİKLER

| | | |
|-----------------------|-------------------------|-------|
| Model | DHS680 | |
| Bıçak çapı | 165 mm | |
| Maks. kesim derinliği | 0°'de | 57 mm |
| | 45°'de | 41 mm |
| | 50°'de | 37 mm |
| Yüksüz hız | 5.000 dak ⁻¹ | |
| Toplam uzunluk | 350 mm | |
| Net ağırlık | 3,3 kg | |
| Anma gerilimi | D.C. 18 V | |

- Sürekli yapılan araştırma ve geliştirmelerden dolayı, burada belirtilen özellikler önceden bildirilmeksizin değiştirilebilir.
- Özellikler ve akü ülkeye göre farklılıklar gösterebilir.
- EPTA Prosedürü 01/2003 uyarınca ağırlık (akü dahil)

Kullanım amacı

ENE078-2

Bu makine aħşap malzemelerde tam bir temas sağlayarak enlemesine ve çaprazlamasına ve ayrıca köşe bentlerde düz kesimler yapılması için tasarlanmıştır. Uygun orijinal Makita testere bıçaklarıyla diğer malzemeler de kesilebilir.

Genel Elektrikli Aletler Güvenlik Uyarıları

GEA010-1

⚠ UYARI Tüm güvenlik uyarılarını ve tüm talimatları okuyun. Verilen uyarılara ve talimatlara uyulmaması elektrik çarpmasına, yangına ve/veya ciddi yaralanmalara yol açabilir.

Tüm uyarıları ve talimatları ileride başvurmak üzere saklayın.

AKÜLÜ SUNTA KESMEYLE İLGİLİ GÜVENLİK UYARILARI

GEB060-8

Kesim prosedürleri

1. **⚠ TEHLİKE:** Ellerinizi daima kesim alanından ve bıçaktan uzak tutun. Diğer elinizi yardımcı tutamak ya da motor muhafazası üzerinden ayırmayın. Makineyi her iki elinizle tutarsanız, bıçak ellerinizi kesemez.

2. **İş parçasının altına uzanmayın.** Muhafaza sizi iş parçasının altına geçen bıçaktan koruyamaz.
3. **Kesme derinliğini iş parçasının kalınlığına göre ayarlayın.** Bıçak dişlerinin tam bir diş boyundan biraz daha azının iş parçasının altından görünmesi gerekir.
4. **Kesilen parçayı kesinlikle elinizde ya da bacaklarınızın arasında tutmayın. İş parçasını sabit bir platform üzerine sabitleyin.** Çalışırken tehlikeye maruz kalma ihtimalinizi, bıçağın takılmasını ve kontrol kaybını en aza indirmek için iş parçasının doğru şekilde desteklenmesi çok önemlidir. **(Şekil 1)** Tipik olarak iş parçasının ve ellerin doğru şekilde yerleşimini yukarıdaki şekilde görebilirsiniz.
5. **Kesici parçanın, gömülü elektrik kablolarına temas edebileceği uygulamalarda makineyi yalnızca yalıtılmış saplarından tutun.** "Akım" geçen bir kabloya temas edilmesi durumunda, üzerindeki metal parçalara da "akım" iletilir ve kullanıcıyı elektrik çarparabilir.
6. **Oluk açma işlemi sırasında mutlaka bir kılavuz mesnedi veya düz kenarlı bir kılavuz kullanın.** Böylece, kesimin düzgünlüğü artar ve bıçağın eğilme şansı azalır.
7. **Daima çark şaftı yuvalarına uygun boyda ve şekilde (elmas ya da yuvarlak) bıçaklar kullanın.** Makine gövdesindeki montaj noktalarına uymayan bıçaklar eksantrik dönüşlerle kontrol kaybına neden olur.

8. **Hasarlı veya yanlış bıçak pulları ve civataları kesinlikle kullanılmamalıdır.** Bıçak pulları ve civataları optimum performans ve çalışma güvenliği sağlamak amacıyla makineniz için özel olarak yapılmışlardır.

Gerı tepmenin nedenleri ve ilgili uyarılar

- gerı tepme sıkıřan, baėlanan veya yanlış yerleřtirilen bıçaėa verilen ani bir tepki olup, makinenin iř parçasından kontrolsüz řekilde sekerek operatöre doėru yönelmesine neden olur.
- bıçak, ařaėı doėru daralan oluėa sıkıřması veya takılması halinde, istenmedik řekilde durur ve motorun tepkisi makineyi hızla operatöre doėru iter.
- kesme sırasında bıçak ayarı bozulur veya bıçak eėilirse, bıçaėın arka kenarındaki diř, kesilen malzemenin üst yüzeyine girerek bıçaėın oluktan dıřarı çıkmasına ve dolayısıyla operatöre doėru gerı sıçramasına neden olabilir.

Gerı tepme, makinenin yanlış kullanımının ve/veya yanlış iřlemlerle ya da yanlış kořullar altında çalıştırılmasının bir sonucudur ve kaçınılması için ařaėıdaki önlemlerin alınması gerekir.

9. **Her iki elinizle makineyi sıkıca tutmaya devam edin ve kollarınızla gerı tepme kuvvetine kararlı koyun. Vücudunuzu bıçaėın saė veya sol tarafına doėru kaçırın, kesinlikle bıçakla aynı hızda kalmayın.** Gerı tepme, makineyi gerıye doėru sıçratabilir; ancak, doėru önlemler alınırsa, gerı tepme kuvvetleri operatör tarafından kontrol edilebilir.
10. **Bıçak sıkıřtıėında ya da herhangi bir nedenle kesme iřlemi kesintiye uğradıėında, açma/kapama düėmesini bırakın ve bıçak tamamen duruncaya kadar makineyi iř malzemesi üzerinde hareket ettirmeden tutun. Bıçak dönmeye devam ederken makineyi kesinlikle iř parçası üzerinden kaldırmaya çalışmayın ve makineyi gerıye doėru çekmeyin; aksi takdirde, gerı tepme meydana gelebilir.** Bıçaėın sıkıřmasının nedenlerini araştırın ve bunları ortadan kaldırmak için gerekli düzeltici önlemleri alın.
11. **iř parçası üzerinde makineyi yeniden çalıştırırken bıçaėı, kesilmesi oluėu ortalararak yerleřtirin ve bıçak diřinin malzemenin içine saplanmamıř olmasına dikkat edin.** Bıçak o anda sıkıřmıřsa, makine yeniden çalıştırıldıėı zaman dıřarı doėru yürüyebilir ya da iř parçasından gerıye tepebilir.
12. **Bıçaėın sıkıřıp gerı tepmesi riskini en aza indirmek için büyük panoları destekleyin.** Büyük panolar kendi aėırlıkları altında bel verme eėilimi gösterirler. Panoların her iki tarafında, kesim çizgisinin her iki yanının ve pano kenarlarının altına destekler yerleřtirilmelidir. (**Şekil 2 ve 3**)
Gerı tepmeden kaçınmak için kesilen levhayı veya panoyu kesim çizgisinin yakınından destekleyin. Levhayı veya panoyu kesim çizgisinin uzaėından desteklemeyin.
13. **Kör ve hasarlı bıçaklar kullanmayın.** Bilenmemiř ya da düėgün ayarlanmamıř bıçaklar dar kesikler aararak sürtünmenin artmasına, bıçaėın sıkıřmasına ve gerı tepmeye neden olurlar.
14. **Kesme iřlemine başlamadan önce bıçak derinliėi ve eėim ayarı kilitleme mandallarının sıkıca sabitlenmiř olması gerekir.** Kesme sırasında bıçak

ayarını deėiřirse, bıçak sıkıřarak gerı tepmeye neden olabilir.

15. **Mevcut duvarların veya diėer kör alanların yakınında kesim yaparken daha dikkatli olun.** Bıçaėın çıkıntısı gerı tepmeye neden olabilecek nesnelere kesebilir.
16. **Makineyi DAİMA iki elinizle sıkıca kavrayın. Elinizi ya da parmaklarınızı ASLA bıçaėın arkasında tutmayın.** Gerı tepme meydana gelirse, makine kolaylıkla gerıye doėru ellerinizin üzerine sıçrayabilir ve ciddi řekilde yaralanmanıza neden olabilir. (**Şekil 4**)
17. **Makineyi hiřbir zaman zorlamayın. Makineyi, bıçak yavaşlamadan kesme yapabilecek řekilde hızla ilerleye doėru itin.** Makinenin zorlanması düėgün olmayan kesiklerin açılmasına, doluruluėun kaybolmasına ve gerı tepmelere neden olabilir.

Alt muhafaza iřlevi

18. **Her kullanımdan önce, uygun kapanma sağlamak için alt muhafazayı kontrol edin. Alt muhafaza serbest řekilde hareket etmiyor ve hemen kapanmıyorsa makineyi çalıştırmayın. Alt muhafazayı kesinlikle açık konumda sıkıřtırmayın veya baėlamayın.** Makine kaza ile düřেকে olursa, alt muhafaza eėilebilir. Alt muhafazayı gerı çekme koluyla yükseltin ve serbestçe hareket ettiėinden ve her açılı ve kesim derinliėinde bıçaėa ya da herhangi bařka bir parçaya temas etmediėinden emin olun.
19. **Alt muhafaza yayının çalışmasını kontrol edin. Muhafaza ve yay düėgün çalışmıyorsa, kullanmadan önce bakımı yapılmalıdır.** Hasarlı parçalar, reėine artıkları veya birikmiř kirler nedeniyle alt muhafaza iřlevini yerine getiremiyor olabilir.
20. **Alt muhafaza sadece “dalma kesmesi” ve “karıřık kesmeler” gibi özel amaçlı kesmelerde elle gerı çekilmelidir. Alt muhafazayı gerı çekme sapı yardımıyla yükseltin; bıçak malzemenin içine girer girmez alt muhafaza serbest bırakılmaldır. Alt muhafaza, diėer tüm kesme iřlemlerinde otomatik olarak çalıştırılmaldır.**
21. **Makineyi tezgaha veya zemine bırakmadan önce mutlaka alt muhafazanın bıçaėı tamamen kapatıp kapatmadıėını kontrol edin.** Korumasız, dönmeye devam etmekte olan bir bıçak, makinenin gerıye doėru yürümesine neden olarak önüne gelen her řeyi keser. Açma/kapama düėmesi serbest bırakıldıktan sonra bıçaėın tamamen durması için geçen süreyi öğrenin.
22. **Alt muhafazayı kontrol etmek için alt muhafazayı elle açın, sonra bırakarak muhafazanın kapanıp kapanmadıėına bakın. Ayrıca, gerı çekme kolunun makine yuvasına temas edip etmediėini de kontrol edin.** Bıçaėı açık bırakmak ÇOK TEHLİKELİDİR ve ciddi yaralanmalara neden olabilir.

İlave güvenlik uyarıları

23. **Nemli tahtaları, basınçla muamele edilmiř keresteleri veya düėümlü tahtaları keserken daha dikkatli olun.** Bıçak uçlarının aşırı ısınmasını önlemek için, bıçak hızını düşürmeden makineyi yavaşça ilerletin.
24. **Bıçak hareket ederken kesilen malzemeni çıkarmaya çalışmayın. Kesilen parçayı tutmadan önce bıçakların tamamen durmasını bekleyin.**

- Bıçaklar makine kapandıktan sonra da dönmeye devam eder.
25. **Çivileri kesmekten kaçının. Çalışmaya başlamadan önce kesilecek malzeme üzerinde çivi olup olmadığını kontrol edin, varsa çıkartın.**
 26. **Makine gövdesinin büyük kısmını iş parçasının sağlam şekilde desteklenen bölümü üzerine koyun; kesme işlemi bittiğinde düşecek parçanın üzerine koymayın. Şekil 5'te ahşap iş parçası ucu DOĞRU kesilirken, Şekil 6'da YANLIŞ kesilmektedir. İş parçası kısa veya küçükse, sıkıca kıştırın. KISA PARÇALARI ELİNİZLE TUTMAYA ÇALIŞMAYIN!** (Şekil 5 ve 6)
 27. **Kesme işlemini bitirdikten sonra makineyi bir yere koymadan önce, alt muhafazanın kapandığından ve bıçağın tamamen durduğundan emin olun.**
 28. **Kesme işlemini kesinlikle sunta kesmeyi mengineye baş aşağı sıkıştırarak yapmaya çalışmayın. Bu son derece tehlikelidir ve ciddi yaralanmalara yol açabilir.** (Şekil 7)
 29. **Bazı malzemeler zehirli olabilecek kimyasal maddeler içerebilir. Tozu solumamaya dikkat edin ve cilt temasından kaçının. Malzeme üreticisinin güvenlik uyarılarını dikkate alın.**
 30. **Bıçakları, makine üzerine yanal basınç uygulayarak durdurmaya çalışmayın.**
 31. **Aşındırıcı disk kullanmayın.**
 32. **Yalnızca makine üzerinde veya kılavuzda belirtilen çaptaki testere bıçaklarını kullanın. Yanlış boyutta bıçakların kullanılması, bıçağın doğru şekilde muhafaza edilememesine veya muhafaza işlevinin bozulmasına yol açarak, ciddi yaralanmalarla sonuçlanabilir.**
 33. **Bıçakları temiz ve keskin tutun. Bıçaklar üzerinde sertleşen reçine ve ahşap çapakları makineyi yavaşlatarak geri tepme potansiyelini artırır. Bıçakları temizlemek için önce makineden çıkartın ve ardından reçine ve tahta çapağı sökücü, sıcak su veya gaz yağı ile temizleyin. Kesinlikle benzin kullanmayın.**
 34. **Makineyi kullanırken toz maskesi ve kulak koruyucu takın.**

BU TALİMATLARI SAKLAYIN.

⚠ UYARI:

Ürünü kullanırken defalarca kullanmanın getirdiği rahatlık ve tanıdıklık duygusunun, güvenlik kurallarına sıkı sıkıya bağlı kalmanızı önlemesine İZİN VERMEYİN. YANLIŞ KULLANIM veya bu kullanım kılavuzunda belirtilen güvenlik kurallarına uyulmaması ciddi yaralanmalara neden olabilir.

ÖNEMLİ GÜVENLİK TALİMATLARI

ENC007-8

AKÜ İÇİN

1. **Aküyü kullanmaya başlamadan önce (1) akü şarj cihazı, (2) akü ve (3) akünün takıldığı ürüne ilişkin tüm talimatları ve uyarıları okuyun.**
2. **Aküyü sökmeye çalışmayın.**
3. **Çalışma süresinde önemli bir kısımla gözlerseniz, hemen çalışmayı bırakın. Bu durum aşırı ısınmaya, yangına ve hatta patlamaya yol açabilir.**

4. **Elektrolit (akü sıvısı) gözlerinize temas ederse, bol temiz suyla yıkayın ve derhal bir doktora başvurun. Elektrolit körlüğe neden olabilir.**
5. **Akünün kısa devre yapmasını önleyin:**
 - (1) Herhangi bir iletken nesne ile akü uçlarına dokunmayın.
 - (2) Aküyü çivi, madeni para vb. metal nesnelere bulunduğu bir yerde saklamayın.
 - (3) Aküyü suya veya yağmura maruz bırakmayın. Aküde oluşan kısa devre büyük bir elektrik akımına, aşırı ısınmaya, yangına ve aletin bozulmasına yol açabilir.
6. **Aleti ve aküyü 50°C (122°F) sıcaklığa ulaşabilecek veya bu değeri aşabilecek ortamlarda saklamayın.**
7. **Önemli ölçüde hasar görmüş veya tümüyle tükenmiş olsa da aküyü kesinlikle yakarak imha etmeye çalışmayın. Akü ateşe atıldığında patlayabilir.**
8. **Akünün düşmesine ve darbe almamasına dikkat edin.**
9. **Hasarlı bir aküyü kesinlikle kullanmayın.**
10. **Akünün atılması sırasında ilgili yönetmeliklere uyun.**

BU TALİMATLARI SAKLAYIN.

Akünün öngörülen maksimum ömrü dolana kadar kullanılması için öneriler

1. **Aküyü tamamen boşalmasını beklemeden şarj edin.**
Aletin çalışma gücünde bir azalma gördüğünüzde, mutlaka çalışmayı bırakıp, aküyü şarj edin.
2. **Tam olarak şarj edilmiş bir aküyü tekrar şarj etmeyin.**
Akünün normalden fazla şarj edilmesi ömrünü kısaltır.
3. **Aküyü 10°C - 40°C (50°F - 104°F) değerlerini aşmayan oda sıcaklığında şarj edin. Akü ısınmıyorsa, şarj etmeden önce soğumasını bekleyin.**
4. **Makineyi uzun bir süre kullanmayacaksanız bile, aküsünün her altı ayda bir şarj edin.**

KULLANIMA İLİŞKİN TANIMLAR

⚠ DİKKAT:

- Makine üzerinde ayar veya başka bir kontrol işlemi gerçekleştirmeden önce makinenin kapalı ve aküsünün çıkartılmış olduğundan emin olun.

Akünün takılması ve sökülmesi (Şekil 8)

⚠ DİKKAT:

- Aküyü takmadan ve çıkarmadan önce mutlaka makineyi kapalı konuma getirin.
 - **Aküyü takarken ve çıkartırken makineyi ve aküyü sıkıca tutun.** Aksi takdirde, makine ve akü elinizden kayarak düşebilir ve neticesinde makine ve akü hasarları ve yaralanmalar meydana gelebilir.
- Aküyü çıkarmak için akünün ön tarafında bulunan düğmeyi bastırın ve aküyü çekerek makineden çıkartın. Aküyü takmak için aküdeki dili makine gövdesindeki yuvayla aynı hizaya getirin ve aküyü iterek yerine oturmasını sağlayın. Akünün tam yerine oturduğuna klik

sesinden anlayabilirsiniz. Düğmenin üst tarafında bulunan kırmızı göstergesi görürseniz, akü tam olarak kilitlememiştir.

⚠ DİKKAT:

- Kırmızı gösterge tamamen kayboluncaya kadar aküyü itin. Aksi takdirde, akü makinede kayıp düşebilir ve operatörün veya çevredeki kişilerin yaralanmasına neden olabilir.
- Aküyü zorlayarak takmaya çalışmayın. Akünün makineye rahatça takılmaması, yanlış takıldığını gösterir.

NOT:

- Akü kolayca çıkartılmıyorsa, düğmenin ters tarafından bastırın ve kaydırarak çıkartın.

Açma/kapama işlemi

⚠ DİKKAT:

- Aküyü makineye takmadan önce, açma/kapama düğmesinin kusursuz çalıştığını ve açma/kapama düğmesi bırakıldığında makinenin "KAPALI" konuma döndüğünü kontrol edin.
- Kilitleme mandalına basılmamışsa, açma/kapama düğmesini zorlamayın. Aksi takdirde, açma/kapama düğmesi kırılabilir. (Şekil 9)

Açma/kapama düğmesine yanlışlıkla basılmasının önlenmesi için, makinede bir kilitleme mandalı bulunur. Makineyi çalıştırmak için kilitleme mandalına ve açma/kapama düğmesine basın. Makineyi durdurmak için parmağınızı açma/kapama düğmesinden çekin.

⚠ UYARI:

- Güvenliğiniz için makinenin yanlışlıkla çalışmasının önlenmesi amacıyla makinede bir kilitleme mandalı mevcuttur. Kilitleme mandalına basılmadığı halde açma/kapama düğmesine basıldığında makine çalışıyorsa, makineyi KESİNLİKLE kullanmayın. Makineyi kullanmadan ÖNCE bir MAKITA servis merkezine götürerek gerekli onarımları yaptırın.
- Kilitleme mandalını KESİNLİKLE bantlamayın veya amaç ve işlevini değiştirmeyin.

Kalan akü kapasitesinin görüntülenmesi (Şekil 10)

Makineyi açık konuma getirdiğinizde, akü göstergesinde kalan akü kapasitesi görüntülenir.

Kalan akü kapasitesi aşağıda yer alan tablodaki gibi gösterilmektedir.

| Akü göstergesinin durumu | | | Kalan akü kapasitesi |
|--------------------------|------------|-------------------|----------------------|
| ■ : Açık | □ : Kapalı | ■ : Yanıp sönüyor | |
| | | | %50 - %100 |
| | | | %20 - %50 |
| | | | %0 - %20 |
| | | | Aküyü şarj edin |

015146

Otomatik devir değiştirme işlevi (Şekil 11)

| Mod göstergesinin durumu | Çalışma modu |
|--------------------------|-------------------|
| | Yüksek devir modu |
| | Yüksek tork modu |

015137

Bu makine "yüksek devir moduna" ve "yüksek tork moduna" sahiptir. Çalışma yüküne bağlı olarak, çalışma modunu otomatik olarak değiştirir. Çalışma sırasında mod göstergesi yanıyorsa, makine yüksek tork modundadır.

Makine/akü koruma sistemi

Bu makinede bir makine/akü koruma sistemi mevcuttur. Bu sistem, makine ve akü ömrünü uzatmak için motora beslenen gücü otomatik olarak keser. Makine veya akü için aşağıda sıralanan durumlardan birinin geçerli olması halinde, çalışmayı otomatik olarak durdurur. Bazı durumlarda gösterge yanar.

Aşırı yük koruması

Makine, aşırı derecede yüksek akım çekecek şekilde çalıştırıldığında herhangi bir uyarı vermeksizin otomatik olarak durur. Böyle bir durumda, makineyi kapalı konuma getirin ve makinenin aşırı yüklenmesine neden olan uygulamayı durdurun. Ardından, yeniden başlatmak üzere makineyi tekrar açık konuma getirin.

Makine için aşırı ısınma koruması


Makine aşırı ısınır, makine otomatik olarak durur ve akü göstergesi aşağıdaki durumları gösterir. Böyle bir durumda, makineyi tekrar açık konuma getirmeden önce makinenin soğumasını bekleyin.

| Akü göstergesi | ■ : Açık | □ : Kapalı | ■ : Yanıp sönüyor |
|----------------|----------|------------|-------------------|
| | | | |
| | | | |

015145

Koruma kilidinin serbest bırakılması

Koruma sistemi arka arkaya çalışmışsa, makine kilitlenen ve akü göstergesi aşağıdaki durumları gösterir.

| | | | |
|--|--------------------------|------------|-------------------|
| Akü göstergesi | ■ : Açık | □ : Kapalı | ■ : Yanıp sönüyor |
|  | Koruma kilidi devrededir | | |

015201

Bu durumda makine açılıp kapatılsa dahi çalışmaz. Koruma kilidini devre dışı bırakmak için, aküyü çıkartın, akü şarj cihazına takın ve şarj işlemi sona erinceye kadar bekleyin.

Kesim derinliğinin ayarlanması

⚠ DİKKAT:

- Kesim derinliğini ayarladıktan sonra mandalı mutlaka iyice sıkın.

Arka sapın kenarındaki mandalı gevşeterek tabanı yukarıya veya aşağıya doğru oynatın. İstenilen kesim derinliğine gelince, mandalı sıkarak tabanı sabitleyin.

(Şekil 12)

Daha temiz ve daha güvenli kesimler için kesim derinliğini bıçak dişlerinden yalnızca bir tanesi iş parçasının altından çıkacak şekilde ayarlayın. Doğru kesim derinliklerinin kullanılması, yaralanmalara neden olabilecek potansiyel GERİ TEPME risklerini azaltır.

Eğimli kesim

Ön mandalı gevşetin. Uygun biçimde eğerek istediğiniz açıya (0° - 50°) ayarlayın ve sonra ön mandalı iyice sıkıştırın. (Şekil 13)

Hassas şekilde 45°'lik açıyla kesmek için 45° stoperi kullanın. Eğimli kesim (0° - 45°) için stoperi saat yönünün tersi istikamette, 0° - 50°'lik eğimli kesimler içinse saat yönünde sonuna kadar çevirin. (Şekil 14)

Düz kesim (Şekil 15)

Düz kesimlerde, tabanın ön kısmındaki 0° konumunu kesim hattınıza ayarlayın. 45°'lik eğimli kesimlerde 45° konumunu ayarlayın. Üst kilavuzun konumu ayarlanabilir.

Lambanın yakılması

⚠ DİKKAT:

- Doğrudan lambaya veya ışık kaynağına bakmayın. (Şekil 16)

Açma/kapama düğmesini, yalnızca lambayı yakmak amacıyla kilitleme mandalına basmadan çekebilirsiniz. Lambayı yakıp makineyi çalıştırmak için kilitleme mandalına basın ve kilitleme mandalı basılıyken açma/kapama düğmesine basın. Lamba, açma/kapama düğmesine basıldığı sürece yanar. Lamba, açma/kapama düğmesinin bırakılmasından sonra 10-15 saniye içerisinde söner.

NOT:

- Lambanın lensindeki kiri silmek için kuru bir bez kullanın. Lensin çizilmemesine dikkat edin, aksi takdirde lambanın aydınlatma gücü azalır.

- Lamba lensini temizlemek için benzin, tiner veya benzerlerini kullanmayın. Bu maddelerin kullanılması lense zarar verir.

Kanca

⚠ DİKKAT:

- Makineyi kanca kullanarak asmadan önce daima hortumun bağlantısını kesin.
- Makineyi hiçbir zaman yüksek bir yere ya da sabit olmayan yüzeylere asmayın.

Makineyi elinizden kısa bir süre bırakacaksanız, kancayla pratik şekilde asabilirsiniz. Kancayı kullanmak için, açık konumuna gelinceye kadar kancayı yukarı doğru kaldırmak. Kullanmadığınız zamanlarda kancayı aşağı doğru iterek daima kapalı konumunda tutun. (Şekil 17)

MONTAJ

⚠ DİKKAT:

- Makine üzerinde herhangi bir işlem yapmadan önce makinenin kapalı ve aküsünün çıkartılmış olduğundan emin olun.

Testere bıçağının sökülmesi ve takılması

⚠ DİKKAT:

- Bıçağın, makinenin ön tarafından bakıldığında dişler yukarıyı gösterecek şekilde takıldığından emin olun.
- Bıçağın takılması ve sökülmesi için yalnızca ürünle verilen Makita anahtarları kullanılmalıdır.

Bıçağı sökmek için şaft kilidini sıkıca bastırarak bıçağın dönmesini önleyin, daha sonra Alyan anahtarını kullanarak civatayı saat yönünde gevşetin. Civatayı, dış flanş ve bıçağı çıkartın. (Şekil 18 ve 19)

Bıçağı takmak için, söküm işlemlerini ters sırayla uygulayın. CIVATAYI SAAT YÖNÜNÜN TERSİNE ÇEVİREREK İYİCE SIKTIĞINIZDAN EMİN OLUN.

Bıçağı değiştirirken, Bakım bölümünde açıklandığı gibi üst ve alt bıçak muhafazalarında biriken talaşları da temizlemeyi unutmayın. Bu işlemi yapmış olmanız alt muhafazanın her kullanımından önce mutlaka kontrol edilmesi şartını ortadan kaldırmaz.

15,88 mm'lik delik çapına sahip testere bıçakları dışındaki bıçaklara uygun iç flanşlı makineler için

⚠ DİKKAT:

- Dışarı doğru konumlandırılan iç flanşın "a" çıkıntısının, "a" testere bıçağı deliğine tam olarak oturduğundan emin olun. Bıçağın yanlış tarafa takılması tehlikeli titreşimlere neden olabilir.

İç flanş her iki tarafında farklı açılı çıkıntılara sahiptir. Çıkıntı, testere bıçağı deliğine tam olarak uyacak şekilde doğru tarafı seçin.

Ardından, iç flanş, iç flanş üzerindeki doğru çıkıntı tarafı dışarı bakacak şekilde montaj şaftına takın ve testere bıçağını ve dış flanşı yerleştirin. (Şekil 20) CIVATAYI SAAT YÖNÜNÜN TERSİNE ÇEVİREREK İYİCE SIKTIĞINIZDAN EMİN OLUN.

15,88 mm'lik delik çapına sahip testere bıçakları için uygun iç flanşlı makineler için (ülkeye özel) (Şekil 21 ve 22)

İç flanş boşluklu tarafı dışarı, montaj şaftına bakacak şekilde yerleştirin ve ardından testere bıçağını (varsa, halkası takılı şekilde), dış flanş ve civatayı takın.

CIVATAYI SAAT YÖNÜNÜN TERSİNE ÇEVİREREK
İYİCE SIKTIĞINIZDAN EMİN OLUN.

⚠️ UYARI:

- **Bıçağı mil üzerine takmadan önce mutlaka kullanmayı planladığınız bıçağın mil deliğine uygun halkanın, iç ve dış flanşlar arasında takıldığından emin olun.** Yanlış bir mil deliği halkasının kullanılması, bıçağın yanlış takılmasına ve böylece bıçağın hareket ederek ve ciddi titreşimlere neden olarak çalışma sırasında kontrolün kaybedilmesine ve ciddi yaralanmalara yol açabilir.

Alyan anahtarının saklanması (Şekil 23)

Alyan anahtarı kullanılmadığında, kaybolmaması için şekilde gösterildiği gibi saklanmalıdır.

Elektrik süpürgesinin bağlanması (yalnızca Avrupa ülkeleri için) (Şekil 24 ve 25)

Temiz bir kesim işlemi yapmak istiyorsanız, makineye bir Makita elektrik süpürgesi bağlayın. Vidayı kullanarak toz nozulünü makinenin üzerine takın. Ardından, elektrik süpürgesinin hortumunu şekilde gösterildiği gibi toz nozulüne takın.

ÇALIŞTIRMA

⚠️ DİKKAT:

- Makineyi düz bir çizgi üzerinde ve yumuşak bir şekilde ileriyeye ittiğinizden emin olun. Makinenin zorlanması ve bükülmesi, motorun aşırı ısınmasına ve tehlikeli geri tepmelere neden olarak, ciddi yaralanmalara yol açabilir.
- Makineyi çalıştırırken mutlaka ön sapı ve arka kolu kullanın ve makineyi hem ön saptan hem de arka koldan tutarak, sıkı bir şekilde kavrayın. (Şekil 26)

Makineyi sıkıca kavrayın. Makinede hem ön hem sap, hem de arka kol bulunmaktadır. Makineyi en iyi şekilde tutabilmek için her ikisini de kullanın. Makineyi iki elinizle tutarsanız, bıçak ellerinizi kesemez. Gövde tabanını, bıçak herhangi bir yere temas etmeyecek şekilde kesilecek iş parçasının üzerine yerleştirin. Ardından, makineyi çalıştırın ve bıçak tam hıza ulaşmaya kadar bekleyin. Makineyi düz tutarak ve kesim işlemi bitinceye kadar yavaşça ilerleyecek şekilde iş parçasının üzerine doğru yürütün.

Temiz kesimler elde edebilmek için kesim hattınızı düz ve kesim hızınızı sabit tutun. Kesim işlemi istediğiniz hat üzerinde düzgün şekilde yapamıyorsanız, makineyi kesim çizgisizi üzerine getirmek için çevirmeyin ve zorlamayın. Bu durum bıçağın sıkışmasına neden olarak tehlikeli geri tepmeye ve dolayısıyla yaralanma riskinin artmasına yol açacaktır. Açma/kapama düğmesini serbest bırakın, bıçağın durmasını bekleyin ve sonra makineyi geri çekin. Makineyi yeni bir kesim çizgisine ayarlayın ve yeniden kesmeye başlayın. Operatör, makineden çıkan çapaklara ve talaş tozuna maruz kalabileceği şekilde durmamalıdır. Olası yaralanmaların önüne geçmek için göz koruyucu kullanın.

Kılavuz mesnedi (Kılavuz cetveli) (opsiyonel aksesuar) (Şekil 27)

Elle kolayca tutulabilen kılavuz mesnedi ekstra düzgün kesimler yapmanızı sağlar. Kılavuz mesnedini iş parçasının kenarına sıkıca kaydırarak tabanın ön kısmında bulunan sıkıştırma vidası yardımıyla yerine sabitleyin. Bu işlem ayrıca mümkün olduğunca sabit genişlikte çok sayıda kesim yapmanızı sağlar.

BAKIM

⚠️ DİKKAT:

- Makine üzerinde herhangi bir işlem yapmadan önce makinenin kapalı ve aküsünün çıkarılmış olduğundan emin olun.
- **Alt muhafaza sisteminin çalışmasını etkileyebilecek testere talaşı kalmadığından emin olarak, üst ve alt muhafazaları temizleyin.** Kirli bir muhafaza sistemi, doğru çalışmayı engelleyebilir ve ciddi yaralanmalara yol açabilir. En etkili yöntem, basınçlı hava kullanılarak temizlenmesidir. **Toz, muhafazalardan dışarı üfleniyorsa, uygun göz ve solunum koruyucu ekipmanları kullandığınızdan emin olun.**
- Kesinlikle gazolin, benzin, tiner, alkol veya benzeri bir madde kullanmayın. Aksi takdirde renk bozulması, deformasyon veya çatlaklar meydana gelebilir.

0° ve 45° (dik ve 45°) kesimlerin doğruluğunun ayarlanması (Şekil 28 ve 29)

Gerekli ayar bakula çıkışında yapılmıştır. Ancak, yapılmış olan bu ayarın doğruluğu durumunda, bıçak ile gövde tabanı arasında 0° veya 45° açı ayarını yapmak için bir üçgen veya kare gönye ve Alyan anahtarı yardımıyla ayar vidalarını ayarlayın. 45° açığı ayarlamak için 45° stoperini kullanın.

Açılı kılavuzun ayarlanması (Şekil 30)

Açılı kılavuz fabrikada ayarlanır. Bu ayarın yapılması durumunda, aşağıda açıklanan prosedürü takip ederek tekrar ayarlayabilirsiniz.

Açılı kılavuzu ayarlamak için, iki vidayı gevşetin. Taban, 0°'ye ayarlıyken açılı kılavuz üzerindeki 0° hattını taban üzerindeki kılavuzla hizalayın. Ürünün EMNİYETLİ ve GÜVENİLİR durumda kalmasını sağlamak için tüm onarımlar, bakım ve ayarlar Makita yetkili servisleri veya fabrika servis merkezleri tarafından Makita yedek parçaları kullanılarak yapılmalıdır.

OPSİYONEL AKSESUARLAR

⚠️ DİKKAT:

- Bu kullanılan kılavuzunda tanıtılan Makita marka makineyle aşağıdaki aksesuarların ve parçaların kullanılması önerilir. Bunların dışında başka aksesuarların veya parçaların kullanılması yaralanmalara yol açabilir. Aksesuarlar ve parçalar doğru şekilde ve öngörüldükleri işlevler için kullanılmalıdır.

Aksesuarlara ilişkin daha ayrıntılı bilgi almak için size en yakın yetkili Makita servisine başvurabilirsiniz.

- Testere bıçakları

- Kılavuz mesnedi (Kılavuz cetveli)
- Kılavuz rayı
- Kılavuz ray adaptörü
- Ölçek çubuğu
- Toz nozülü
- Alyan anahtarı
- Orijinal Makita akü ve şarj cihazı

NOT:

- Listedeki bazı parçalar makineyle birlikte standart aksesuar olarak verilebilir. Ürünle verilen aksesuarlar ülkeden ülkeye farklılıklar gösterebilir.

Gürültü

ENG905-1

EN60745 uyarınca belirlenen tipik A ağırlıklı gürültü seviyesi:

Ses basıncı seviyesi (L_{pA}): 83 dB (A)

Ses gücü seviyesi (L_{WA}): 94 dB (A)

Belirsizlik (K): 3 dB (A)

Koruyucu kulaklık takın.

Titreşim

ENG900-1

EN60745'e göre belirlenen toplam titreşim değeri (üç eksenli vektörel toplam):

Çalışma modu: ahşap kesme

Titreşim emisyonu ($a_{h,AG}$): 2,5 m/sn² veya daha düşük

düşük

Belirsizlik (K): 1,5 m/sn²

ENG901-1

- Belirtilen titreşim emisyonu değeri, standart test yöntemine göre ölçülmüştür ve makinenin diğer makinelerle karşılaştırılması için kullanılabilir.
- Belirtilen titreşim emisyonu değeri ayrıca maruziyetin ön değerlendirilmesinde de kullanılabilir.

⚠ UYARI:

- Elektrikli aletin gerçek kullanımı sırasında ortaya çıkacak titreşim emisyonu, aletin kullanıma şekline bağlı olarak belirtilen emisyon değerinden farklı olabilir.
- Gerçek kullanım koşullarındaki maruziyeti tahmin ederek (örneğin, aletin açılma süresine ek olarak kapalı konuma getirildiği ve rölantide çalıştığı süreler gibi çalışma döngüsünün tüm bileşenlerini dikkate alın), kullanıcıyı korumak için gerekli güvenlik önlemlerinin alındığından emin olun.

Yalnızca Avrupa ülkeleri için

ENH101-18

AT Uygunluk Beyanı

Makita aşağıdaki Makine(ler) ile ilgili şu hususları beyan eder:

Makinenin Adı:

Akülü Sunta Kesme

Model Numarası/Tipi: DHS680

Şu Avrupa Yönergelerine uygundur:

2006/42/EC

Şu standartlara veya standartlaştırılmış belgelere uygun olarak üretilmiştir:

EN60745

2006/42/EC'ye uygun teknik dosyaya şu adresten ulaşılabilir:

Makita, Jan-Baptist Vinkstraat 2, 3070, Belçika

18. 3. 2014



Yasushi Fukaya

Müdür

Makita, Jan-Baptist Vinkstraat 2, 3070, Belçika

Makita Jan-Baptist Vinkstraat 2, 3070, Belgium

Makita Corporation Anjo, Aichi, Japan