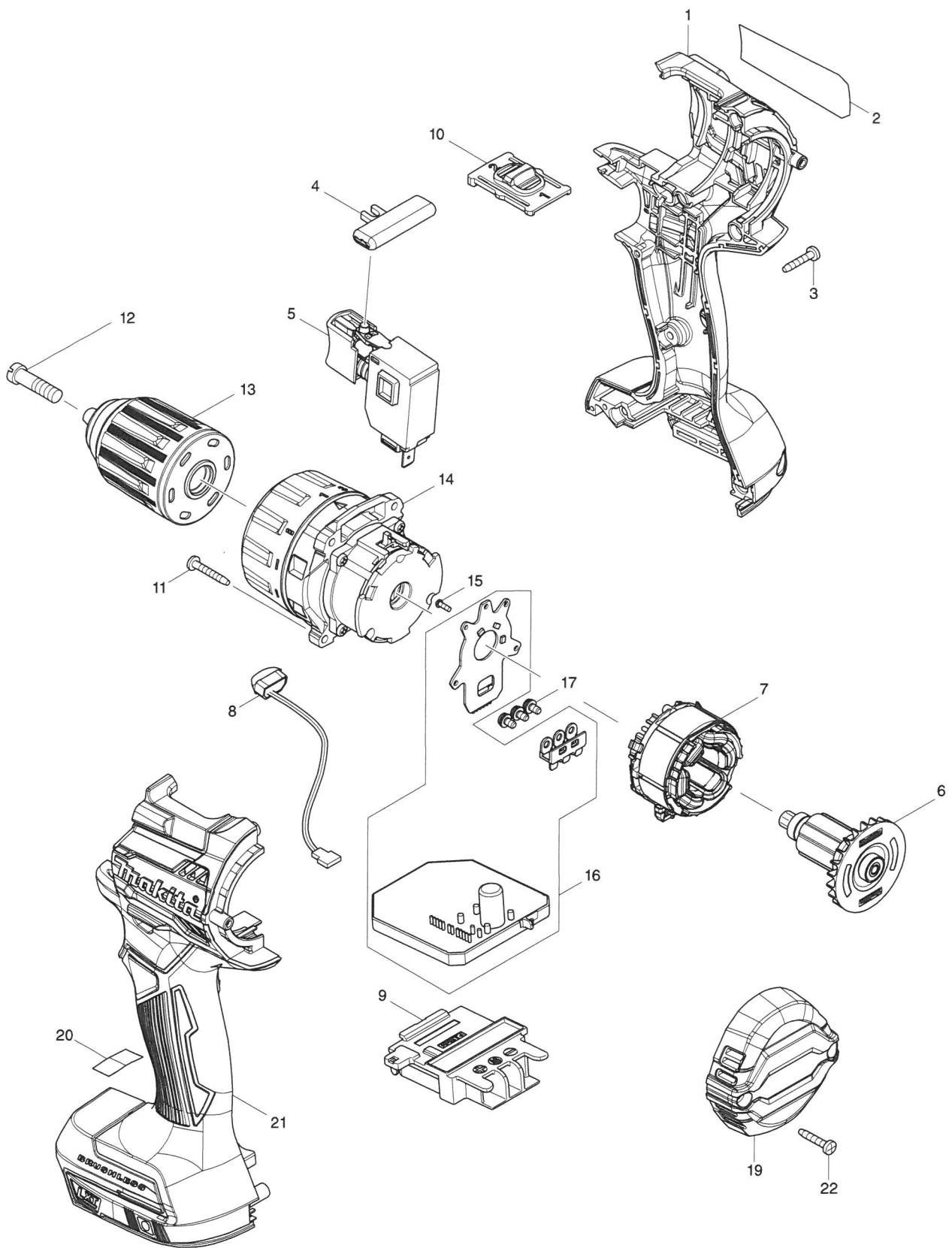


Modelnummer DDF484 CORDLESS DRIVER DRILL



Modelnummer DDF484 CORDLESS DRIVER DRILL

| Artikel | Reserve delsnr | Beskrivelse | I/C | Qty | N/O | Opt. 1 | Opt. 2 | Note |
|---------|----------------|--------------------------------|-----|-----|-----|--------|--------|------|
| 001 | 183E71-3 | HOUSING SET | | 1 | | | | |
| C10 | 263005-3 | RUBBER PIN 6 | | 2 | | | | |
| C20 | 252126-6 | HEX. LOCKING NUT M4-7 | | 2 | | | | |
| D10 | | INC. 21 | | | | | | |
| 002 | 852M14-1 | DDF484 NAME PLATE | | 1 | | | | |
| 003 | 266429-2 | TAPPING SCREW 3X16 | | 7 | | | | |
| 004 | 419041-9 | F/R CHANGE LEVER | | 1 | | | | |
| 005 | 650710-5 | SWITCH C3JW-4B | | 1 | | | | |
| 006 | 619406-7 | ROTOR | | 1 | | | | |
| 007 | 629225-3 | STATOR | | 1 | | | | |
| 008 | 620549-0 | LED CIRCUIT | | 1 | | | | |
| 009 | 643874-2 | TERMINAL | | 1 | | | | |
| 010 | 123738-1 | SPEED CHANGE LEVER ASSEMBLY | | 1 | | | | |
| C10 | 233438-6 | COMPRESSION SPRING 4 | | 2 | | | | |
| 011 | 251497-8 | TAPPING SCREW 3X20 | | 4 | | | | |
| 012 | 251468-5 | - FLAT HEAD SCREW M6X22 | | 1 | | | | |
| 013 | 766027-7 | KEYLESS DRILL CHUCK 13 | | 1 | | | | |
| 014 | 123737-3 | GEAR ASSEMBLY | | 1 | | | | |
| 015 | 266490-9 | TAPPING SCREW PT 2X6 | | 3 | | | | |
| 016 | 620548-2 | CONTROLLER | | 1 | | | | |
| 017 | 652069-6 | FLAT HEAD SCREW M3X6 | | 3 | | | | |
| 019 | 456967-4 | REAR COVER | | 1 | | | | |
| 021 | 183E71-3 | HOUSING SET | | 1 | | | | |
| C10 | 263005-3 | RUBBER PIN 6 | | 2 | | | | |
| C20 | 252126-6 | HEX. LOCKING NUT M4-7 | | 2 | | | | |
| D10 | | INC. 1 | | | | | | |
| 022 | 266429-2 | TAPPING SCREW 3X16 | | 2 | | | | |
| A01 | 251314-2 | + SCREW M4X12 | | 1 | | | | |
| A02A | 346317-0 | HOOK | | 1 | | | | |
| A02B | 346317-0 | HOOK | | 1 | | | | |
| A02C | 346317-0 | HOOK | | 1 | | | | |
| A02D | 346317-0 | HOOK | | 1 | | | | |
| A02E | 346449-3 | HOOK | | 1 | | | | |
| A03 | 784637-8 | + - BIT 2-45 | | 1 | | | | |
| A04B | 821550-0 | CONNECTOR PLASTIC CASE (TYPE2) | | 1 | | | | |
| C10 | 453974-8 | LATCH | | 4 | | | | |
| A04C | 821550-0 | CONNECTOR PLASTIC CASE (TYPE2) | | 1 | | | | |
| C10 | 453974-8 | LATCH | | 4 | | | | |
| A04D | 821550-0 | CONNECTOR PLASTIC CASE (TYPE2) | | 1 | | | | |
| C10 | 453974-8 | LATCH | | 4 | | | | |
| A04E | 821550-0 | CONNECTOR PLASTIC CASE (TYPE2) | | 1 | | | | |
| C10 | 453974-8 | LATCH | | 4 | | | | |
| A05B | 450128-8 | BATTERY COVER | | 1 | | | | |
| A05C | 450128-8 | BATTERY COVER | | 1 | | | | |
| A05D | 450128-8 | BATTERY COVER | | 1 | | | | |
| A06B | ***DC18RC | DC18RC FAST CHARGER | | 1 | | | | |
| D10 | | COMPO-PARTS | | | | | | |
| A06C | ***DC18RC | DC18RC FAST CHARGER | | 1 | | | | |

