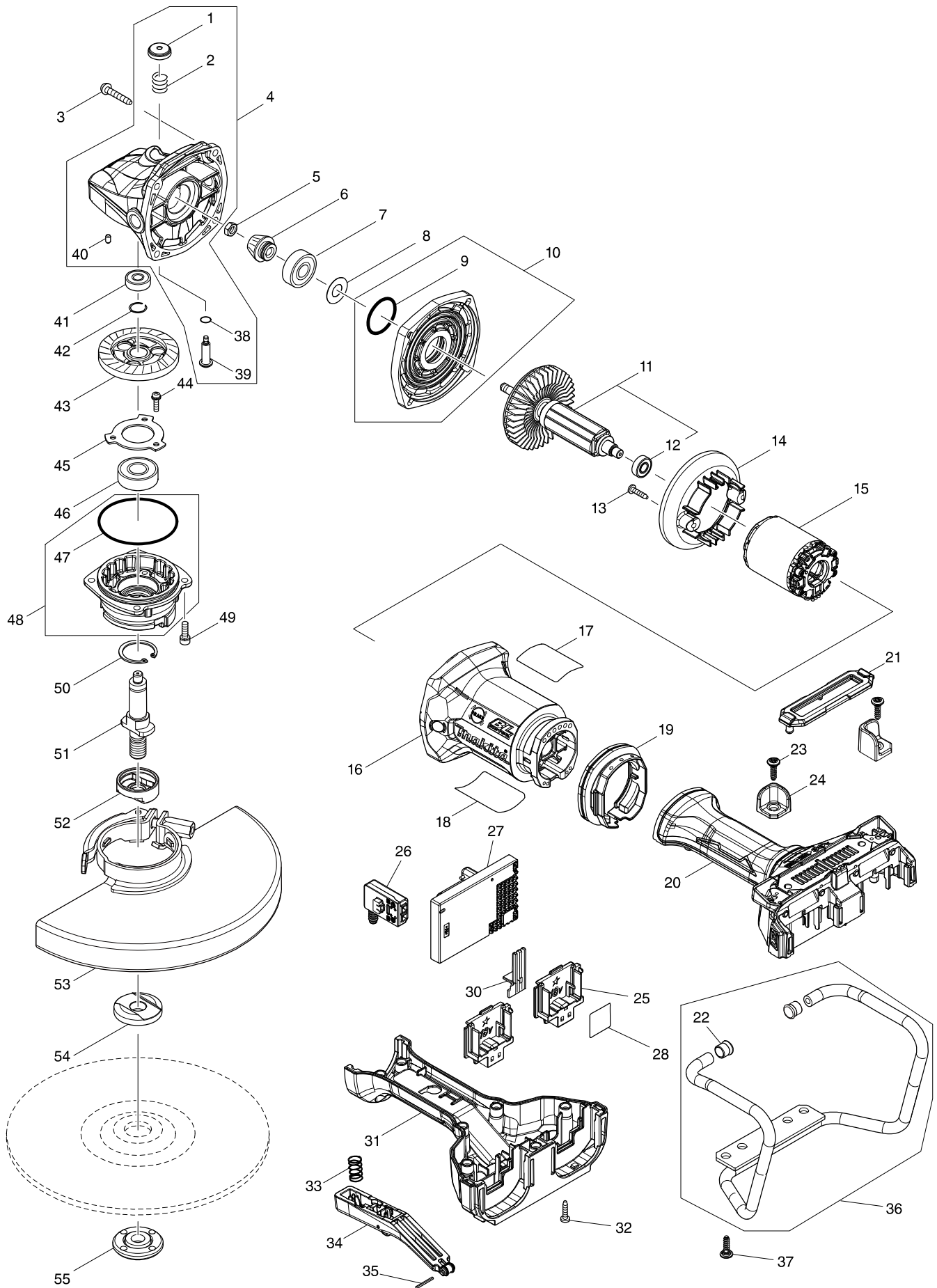


Modelnummer DGA900 230MM CORDLESS ANGLE GRINDER



Modelnummer DGA900 230MM CORDLESS ANGLE GRINDER

Artikel	Reservevedelsn	Beskrivelse	I/C	Qty	N/O	Opt. 1	Opt. 2	Note
001	451485-7	KUNSTSTOFFKAPPE (GA9050)		1				
002	233089-5	COMPRESSION SPRING 12		1				
003	266173-1	BLIKSKRUE PT 5x30 9015B		4				
004	135918-7	GEAR HOUSING ASS'Y		1				
D10		INC. 1,2,38-40						
005	264010-3	MØTRIK M7 (GA6021)		1				
006	227563-3	TANDHJUL 10B (GA9050RF)		1				
007	211137-0	KUGLELEJE 6201LLU (HM0860C)		1				
008	253759-0	FLAT WASHER 12		1				
009	213459-4	O-RING 32		1				
010	135916-1	GEAR HOUSING COVER ASS'Y		1				
D10		INC. 9						
011	519436-7	ROTOR ASS'Y		1				
D10		INC. 12						
012	211166-3	BALL BEARING 698DDW		1				
013	266326-2	SKRUE 4x18 (UC3520A)		2				
014	457618-2	BAFFLE PLATE		1				
015	629260-1	STATOR		1				
016	457615-8	MOTOR HOUSING		1				
018	853J89-5	DGA900 NAME PLATE		1				
019	457619-0	VIBRATION PROOF RUBBER		1				
020	135920-0	HANDLE SWITCH LEVER ASS'Y		1				
C10	263005-3	GUMMISTIFT 6		4				
D10		INC. 31,33-35						
021	457620-5	DUST COVER		1				
022	422230-7	CAP		2				
023	251587-7	H.L.TAPPING SCREW 5X18		2				
024	327048-0	PROTECTION BLOCK		2				
025	644809-6	TERMINAL		2				
026	651083-9	SWITCH C3XA-1PSPM		1				
027	135935-7	CONTROLLER ASSEMBLY		1				
028	853J94-2	DGA900 SERIAL NO. LABEL		1				
030	457621-3	LENS		1				
031	135920-0	HANDLE SWITCH LEVER ASS'Y		1				
C10	263005-3	GUMMISTIFT 6		4				
D10		INC. 20						
032	265999-8	TAPPING SCREW 4X25		7				
033	234357-9	COMPRESSION SPRING 11		1				
034	144584-9	SWITCH LEVER COMPLETE		1				
035	951019-1	SPRING PIN 2-20		1				
036	135919-5	GUARD PIPE ASS'Y		1				
D10		INC. 22						
037	251587-7	H.L.TAPPING SCREW 5X18		4				
038	213026-5	O-RING 7 (4191DWD)		1				
039	256516-5	SPINDELARRETERINGSSTIFT 11		1				
040	263002-9	GUMMISTIFT 4		1				
041	210029-0	KUGLELEJE 608ZZ		1				
042	233925-5	RING SPRING 13		1				

Artikel	Reserve delsnr	Beskrivelse	I/C	Qty	N/O	Opt. 1	Opt. 2	Note
043	227561-7	SPIRAL BEVEL GEAR 49		1				
044	911128-8	KOMBI-SKRUE M4X16 (HR4000C)		3				
045	285851-4	BEARING RETAINER		1				
046	211241-5	BALL BEARING 6202DDW		1				
047	213720-9	O-RING 67 (HR2400)		1				
048	135917-9	BEARING BOX ASS'Y		1				
D10		INC. 47						
049	922221-3	6KANT-SKRUE M5X16		4				
050	962151-6	LÅSERING R-32		1				
051	326963-5	SPINDLE		1				
052	310800-3	LEAD FLANGE		1				
053	122847-3	SKÆRM 230MM (GA9010CF)		1				
054	224447-6	INNER FLANGE 42B		1				
055A	224485-8	LOCK NUT 14-45		1				
055B	122864-3	TOOLLESS LOCK NUT ASSEMBLY M14		1				
A01	162264-5	SIDEGREB ANTIVIBRATION		1				
A02	782407-9	TAPNØGLE 35		1				
A03B	821717-0	PLASTIC CARRYING CASE		1				
C10	162271-8	LUKKE F. KUFFERT		2				