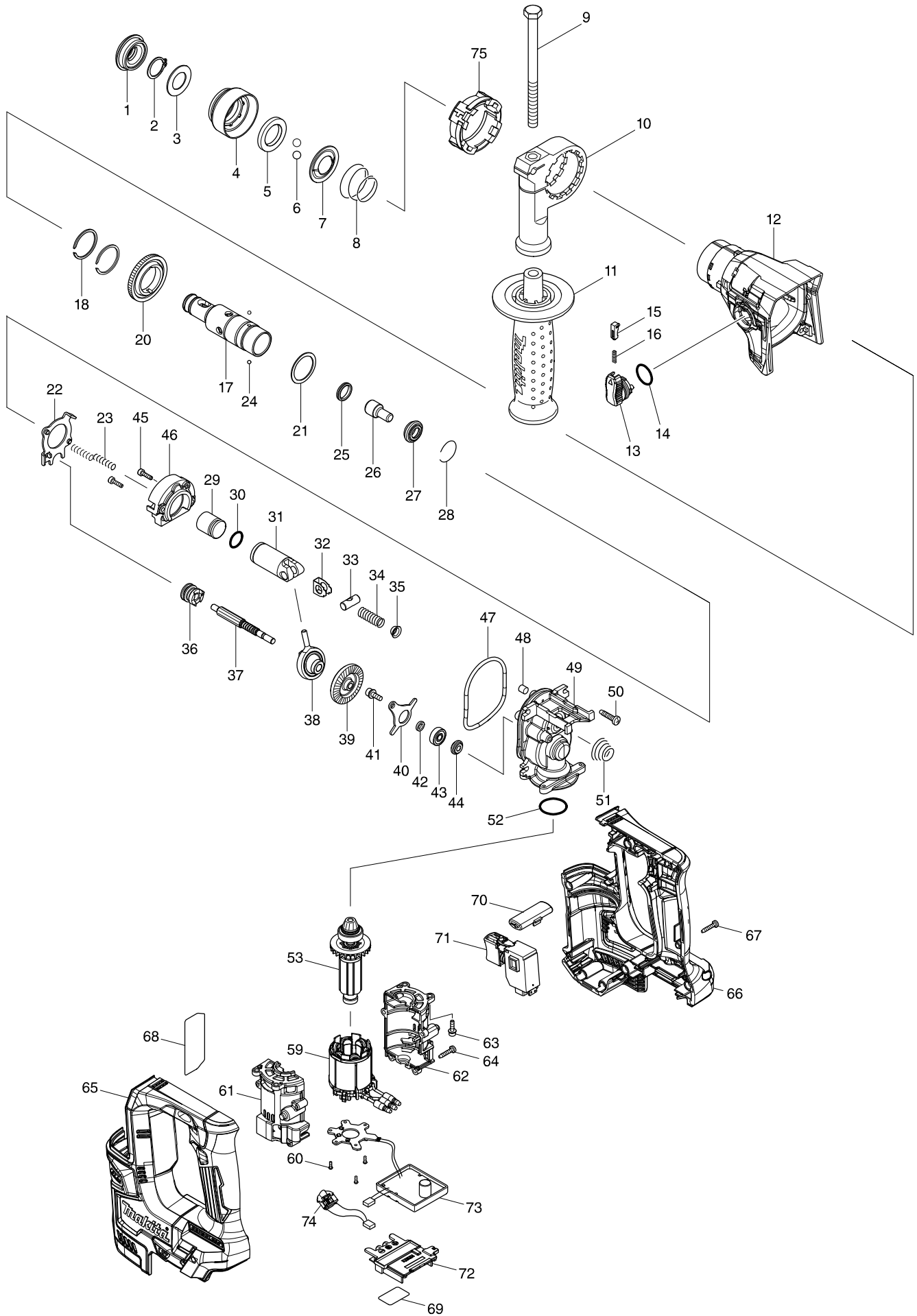


Modelnummer DHR171 17MM CORDLESS ROTARY HAMMER



Modelnummer DHR171 17MM CORDLESS ROTARY HAMMER

Artikel	Reservevedelsn	Beskrivelse	I/C	Qty	N/O	Opt. 1	Opt. 2	Note
001	286037-3	CAP 34		1				
002	961057-5	RETAINING RING S-17		1				
003	253377-4	FLAT WASHER 17		1				
004	457214-6	CHUCK COVER		1				
005	257416-2	RING 21		1				
006	216022-2	STEEL BALL 7.0		2				
007	346177-0	GUIDE WASHER		1				
008	232347-6	CONICAL COMP. SPRING 21-29		1				
009	921923-8	HEX. BOLT M8X120		1				
010	417911-6	GRIP BASE		1				
011	158057-6	GRIP 36 COMPLETE		1				
C10	931402-8	HEX. NUT M8		1				
012	144218-4	GEAR HOUSING COMPLETE		1				
C10	211375-4	BALL BEARING 6805LLB		1				
C20	213788-5	OIL SEAL 25		1				
013	161569-0	CHANGE LEVER COMPLETE		1				
014	213278-8	O RING 17		1				
015	161568-2	LOCK BUTTON COMPLETE		1				
016	232344-2	COMPRESSION SPRING 3		1				
017	326841-9	TOOL HOLDER		1				
018	961135-1	RETAINING(EXT) WR-25		2				
020	221483-3	SPUR GEAR 57		1				
021	267175-0	FLAT WASHER 24		1				
022	161570-5	CHANGE PLATE COMPLITE		1				
023	233194-8	COMPRESSION SPRING 4		2				
024	216019-1	STEEL BALL 3		2				
025	213183-9	X RING 13		1				
026	326843-5	IMPACT BOLT		1				
027	326842-7	RING 10		1				
028	232343-4	RING SPRING 23		1				
029	327007-4	STRIKER		1				
030	213128-7	O RING 12		1				
031	319510-9	PISTON CYLINDER		1				
032	347101-6	GUIDE PLATE		1				
033	326846-9	PISTON JOINT		1				
034	232346-8	COMPRESSION SPRING 8		1				
035	347102-4	SPRING GUIDE		1				
036	326845-1	CLUTCH CAM		1				
037	221482-5	SPUR GEAR 8		1				
038	219026-3	SWASH BEARING 6		1				
039	221481-7	SPIRAL BEVEL GEAR 37		1				
040	347100-8	BEARING RETAINER		1				
041	266273-7	HEX. SOCKET HEAD BOLT M4X12		1				
042	257415-4	RING 5		1				
043	210065-6	BALL BEARING 625ZZ		1				
044	326847-7	RING 5		1				
045	265910-0	HEX. SOCKET HEAD BOLT M3X12		2				
046	144219-2	INNER SUPPORT COMPLETE		1				

Artikel	Reservevedelsn	Beskrivelse	I/C	Qty	N/O	Opt. 1	Opt. 2	Note
047	213092-2	O-RING 60		1				
048	443138-2	FILTER		1				
049	319508-6	INNER HOUSING		1				
050	265995-6	TAPPING SCREW 4X18		4				
051	232345-0	CONICAL COMP. SPRING 8-19		1				
052	213008-7	O RING 22.4		1				
053	619421-1	ROTOR		1				
059	629283-9	STATOR		1				
060	266490-9	TAPPING SCREW PT 2X6		3				
061	183G09-0	MOTOR CASE SET		1				
D10		INC. 62						
062	183G09-0	MOTOR CASE SET		1				
D10		INC. 61						
063	251510-2	H. S. HEAD BOLT M3X12 WITH WRM		4				
064	266130-9	TAPPING SCREW BIND PT 3X16		4				
065	183H25-8	HOUSING SET		1				
C10	252126-6	HEX. LOCKING NUT M4-7		2				
C20	262182-8	RUBBER RING 6		2				
C30	263005-3	RUBBER PIN 6		2				
D10		INC. 66						
066	183H25-8	HOUSING SET		1				
C10	252126-6	HEX. LOCKING NUT M4-7		2				
C20	262182-8	RUBBER RING 6		2				
C30	263005-3	RUBBER PIN 6		2				
D10		INC. 65						
067	266130-9	TAPPING SCREW BIND PT 3X16		9				
068	853R59-2	DHR171 NAME PLATE		1				
069	853R80-1	DHR171 SERIAL NO. LABEL		1				
070	457210-4	F/R CHANGE LEVER		1				
071	650689-0	SWITCH C3JW-2B		1				
072	643874-2	TERMINAL		1				
073	620746-8	CONTROLLER		1				
074	620747-6	LED CIRCUIT		1				
A01	415486-9	DEPTH GAUGE		1				
A03B	821551-8	CONNECTOR PLASTIC CASE (TYPE3)		1				
C10	453974-8	LATCH		4				
A03C	821551-8	CONNECTOR PLASTIC CASE (TYPE3)		1				
C10	453974-8	LATCH		4				
A04B	813S24-9	DHR171Y1J PLASTIC CASE LABEL		2				
A04C	813S29-9	DHR171RAJ PLASTIC CASE LABEL		2				
A05B	813S23-1	DHR171Y1J INDICATION LABEL		1				
A05C	813S28-1	DHR171RAJ INDICATION LABEL		1				
A06B	839387-1	INNER TRAY		1				
A06C	839387-1	INNER TRAY		1				
A07C	450128-8	BATTERY COVER		1				
A08C	***DC18RC	DC18RC FAST CHARGER		1				
A09B	196235-0	BATTERY BL1815N SET		1				
A09C	197254-9	BATTERY BL1820B SET		2				