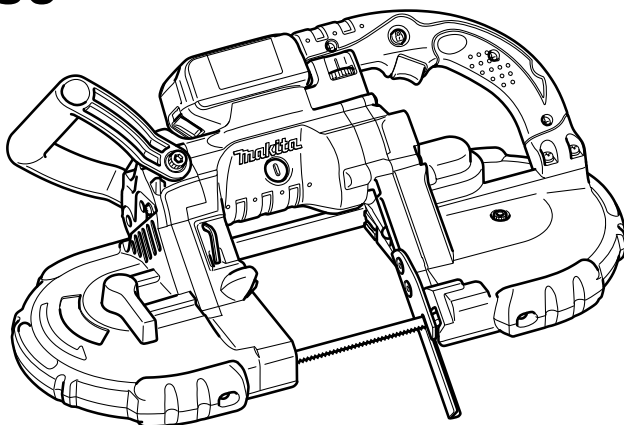




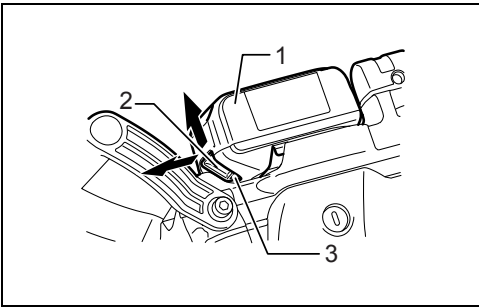
GB	Cordless Portable Band Saw	Instruction manual
F	Scie à Ruban Portative sans Fil	Manuel d'instructions
D	Akku-Bandsäge	Betriebsanleitung
I	Sega a nastro portatile a batteria	Istruzioni per l'uso
NL	Draagbare accubandzaag	Gebruiksaanwijzing
E	Sierra de Banda Portátil Inalámbrica	Manual de instrucciones
P	Serra de Fita a Bateria	Manual de instruções
DK	Ledningsfri transportabel båndsav	Brugsanvisning
GR	Φορητή πριονοκορδέλα μπαταρίας	Οδηγίες χρήσης
TR	Akülü Portatif Şerit Testere	Kullanım kılavuzu

DPB180



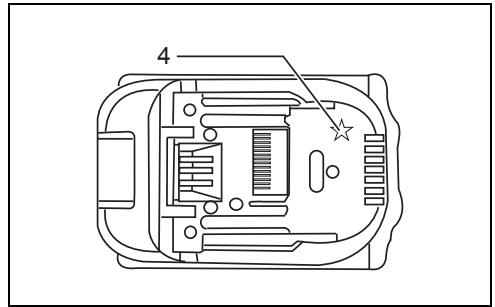
007297





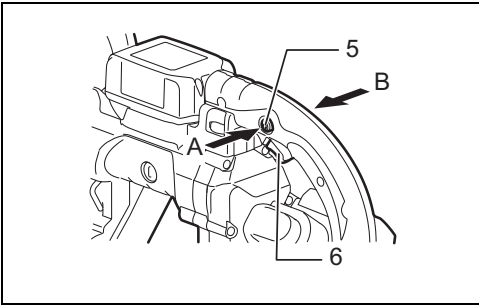
1

014183



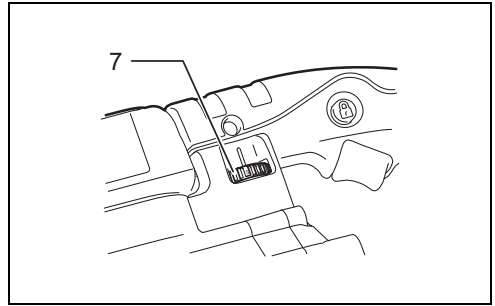
2

012128



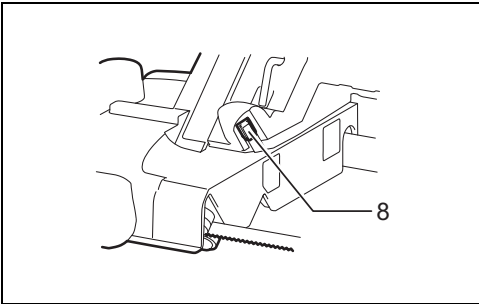
3

007147



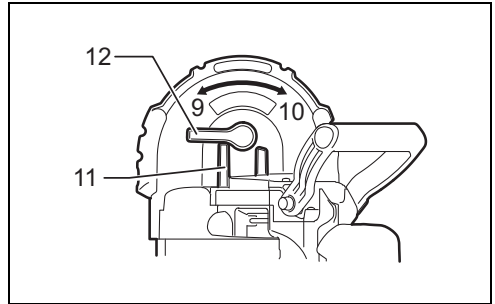
4

007148



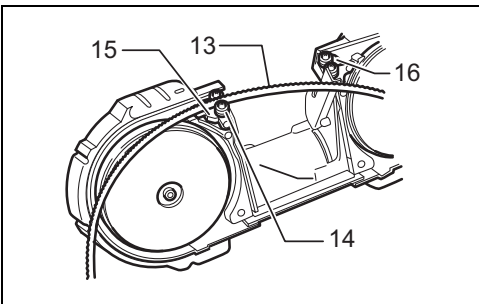
5

007149



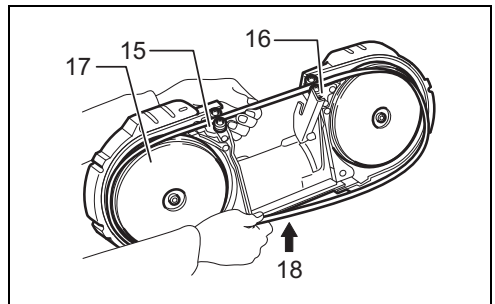
6

007299



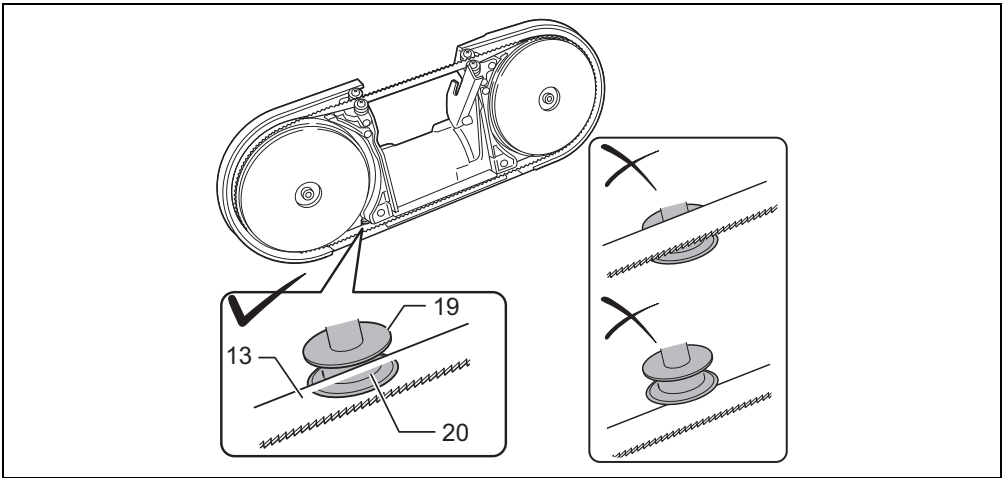
7

006192



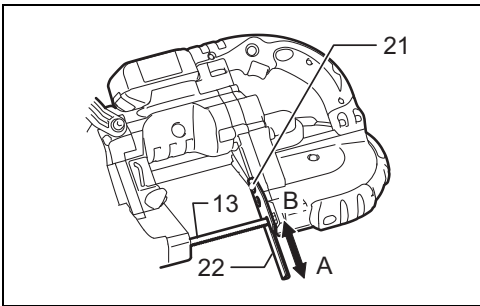
8

006193



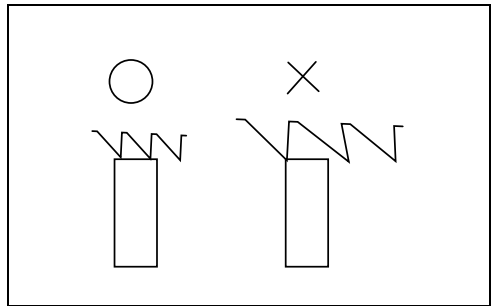
9

015673



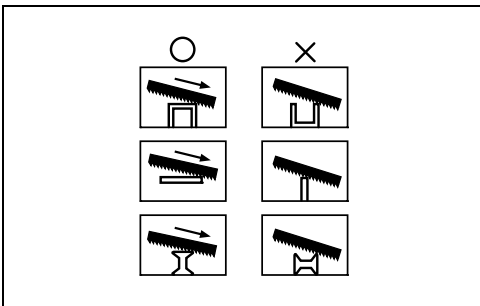
10

007151



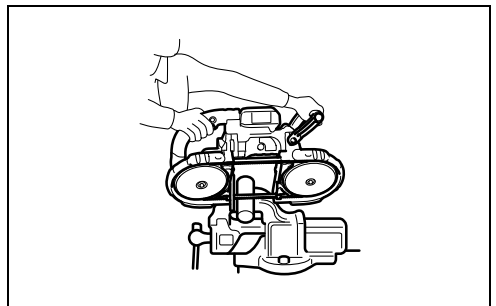
11

007316



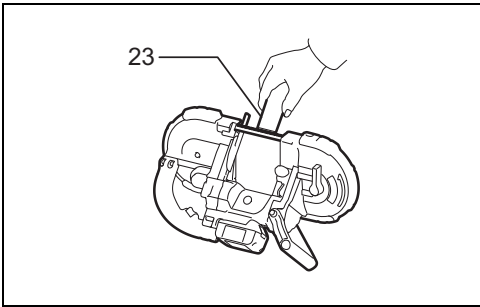
12

004747



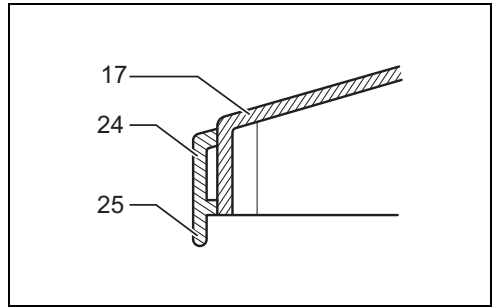
13

007301



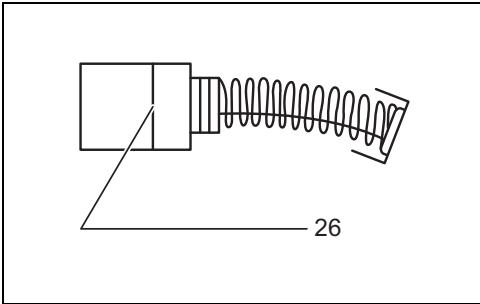
14

007298



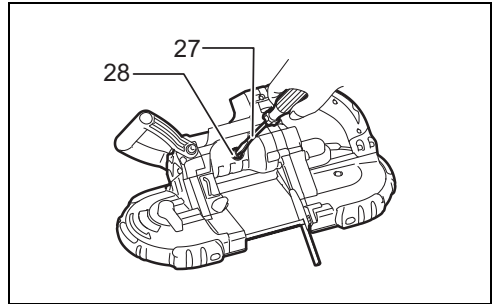
15

004750



16

001145



17

007302

ENGLISH (Original Instructions)

Explanation of general view

- | | | |
|-------------------------|------------------|----------------------|
| 1. Battery cartridge | 11. Protrusion | 21. Screw |
| 2. Button | 12. Lever | 22. Stopper plate |
| 3. Red indicator | 13. Blade | 23. Cutting wax |
| 4. Star marking | 14. Bearing | 24. Tire |
| 5. Lock-off button | 15. Upper holder | 25. Lip |
| 6. Switch trigger | 16. Lower holder | 26. Limit mark |
| 7. Speed adjusting dial | 17. Wheel | 27. Screwdriver |
| 8. Lamp | 18. Press | 28. Brush holder cap |
| 9. Tighten | 19. Blade guide | |
| 10. Loosen | 20. Groove | |

SPECIFICATIONS

Model		DPB180
Max. cutting capacity	Round workpiece	120 mm dia.
	Rectangular workpiece	120 mm x 120 mm
Blade speed		1.4 - 2.7 m/s
Blade size	Length	1,140 mm
	Width	13 mm
	Thickness	0.5 mm
Overall dimensions (L x W x H)		523 mm x 231 mm x 313 mm
Net weight		6.5 kg
Rated voltage		D.C. 18 V

- Due to our continuing program of research and development, the specifications herein are subject to change without notice.
- Specifications and battery cartridge may differ from country to country.
- Weight, with battery cartridge, according to EPTA-Procedure 01/2003

Intended use

ENE009-1

The tool is intended for cutting in wood, plastic and ferrous materials.

General Power Tool Safety Warnings

GEA010-1

⚠ WARNING Read all safety warnings and all instructions. Failure to follow the warnings and instructions may result in electric shock, fire and/or serious injury.

Save all warnings and instructions for future reference.

CORDLESS PORTABLE BAND SAW SAFETY WARNINGS

GEB065-2

1. **Hold power tool by insulated gripping surfaces, when performing an operation where the cutting accessory may contact hidden wiring.** Cutting accessories contacting a "live" wire may make exposed metal parts of the power tool "live" and could give the operator an electric shock.
2. **Use only blades which are listed in "SPECIFICATIONS".**

3. **Check the blade carefully for cracks or damage before operation. Replace cracked or damaged blade immediately.**
4. **Secure the workpiece firmly. When cutting a bundle of workpieces, be sure that all workpieces are secured together firmly before cutting.**
5. **Cutting workpieces covered with oil can cause the blade to come off unexpectedly. Wipe off all excess oil from workpieces before cutting.**
6. **Never use the cutting oil as a cutting lubricant. Use only Makita cutting wax.**
7. **Do not wear gloves during operation.**
8. **Hold the tool firmly with both hands.**
9. **Keep hands away from rotating parts.**
10. **When cutting metal, be cautious of hot flying chips.**
11. **Do not leave the tool running unattended.**
12. **Do not touch the blade or the workpiece immediately after operation; they may be extremely hot and could burn your skin.**

SAVE THESE INSTRUCTIONS.

⚠ WARNING:

DO NOT let comfort or familiarity with product (gained from repeated use) replace strict adherence to safety rules for the subject product. **MISUSE** or failure to follow the safety rules stated in this instruction manual may cause serious personal injury.

IMPORTANT SAFETY INSTRUCTIONS

ENC007-9

FOR BATTERY CARTRIDGE

1. Before using battery cartridge, read all instructions and cautionary markings on (1) battery charger, (2) battery, and (3) product using battery.
2. Do not disassemble battery cartridge.
3. If operating time has become excessively shorter, stop operating immediately. It may result in a risk of overheating, possible burns and even an explosion.
4. If electrolyte gets into your eyes, rinse them out with clear water and seek medical attention right away. It may result in loss of your eyesight.
5. Do not short the battery cartridge:
 - (1) Do not touch the terminals with any conductive material.
 - (2) Avoid storing battery cartridge in a container with other metal objects such as nails, coins, etc.
 - (3) Do not expose battery cartridge to water or rain.

A battery short can cause a large current flow, overheating, possible burns and even a breakdown.

6. Do not store the tool and battery cartridge in locations where the temperature may reach or exceed 50°C (122°F).
7. Do not incinerate the battery cartridge even if it is severely damaged or is completely worn out. The battery cartridge can explode in a fire.
8. Be careful not to drop or strike battery.
9. Do not use a damaged battery.
10. Follow your local regulations relating to disposal of battery.

SAVE THESE INSTRUCTIONS.

Tips for maintaining maximum battery life

1. Charge the battery cartridge before completely discharged.
Always stop tool operation and charge the battery cartridge when you notice less tool power.
2. Never recharge a fully charged battery cartridge. Overcharging shortens the battery service life.
3. Charge the battery cartridge with room temperature at 10°C - 40°C (50°F - 104°F). Let a hot battery cartridge cool down before charging it.
4. Charge the battery cartridge if you do not use it for a long period (more than six months).

FUNCTIONAL DESCRIPTION

CAUTION:

- Always be sure that the tool is switched off and the battery cartridge is removed before adjusting or checking function on the tool.

Installing or removing battery cartridge (Fig. 1)

⚠ CAUTION:

- Always switch off the tool before installing or removing of the battery cartridge.
- **Hold the tool and the battery cartridge firmly when installing or removing battery cartridge.** Failure to hold the tool and the battery cartridge firmly may cause them to slip off your hands and result in damage to the tool and battery cartridge and a personal injury.

To remove the battery cartridge, slide it from the tool while sliding the button on the front of the cartridge.

To install the battery cartridge, align the tongue on the battery cartridge with the groove in the housing and slip it into place. Insert it all the way until it locks in place with a little click. If you can see the red indicator on the upper side of the button, it is not locked completely.

⚠ CAUTION:

- Always install the battery cartridge fully until the red indicator cannot be seen. If not, it may accidentally fall out of the tool, causing injury to you or someone around you.
- Do not install the battery cartridge forcibly. If the cartridge does not slide in easily, it is not being inserted correctly.

Battery protection system (Lithium-ion battery with star marking) (Fig. 2)

Lithium-ion batteries with a star marking are equipped with a protection system. This system automatically cuts off power to the tool to extend battery life.

The tool will automatically stop during operation if the tool and/or battery are placed under one of the following conditions:

- Overloaded:

The tool is operated in a manner that causes it to draw an abnormally high current.

In this situation, release the switch trigger on the tool and stop the application that caused the tool to become overloaded. Then pull the switch trigger again to restart.

If the tool does not start, the battery is overheated. In this situation, let the battery cool before pulling the switch trigger again.

- Low battery voltage:

The remaining battery capacity is too low and the tool will not operate. In this situation, remove and recharge the battery.

Switch action (Fig. 3)

CAUTION:

- Before inserting the battery cartridge into the tool, always check to see that the switch trigger actuates properly and returns to the "OFF" position when released.

To prevent the switch trigger from accidentally pulled, the lock-off button is provided.

To start the tool, depress the lock-off button from B side and pull the switch trigger.

Release the switch trigger to stop. After use, always press in the lock-off button from A side.

Speed adjusting dial (Fig. 4)

The tool speed can be infinitely adjusted between 1.4 m/s and 2.7 m/s by turning the adjusting dial. Higher speed is obtained when the dial is turned in the direction of number 6; lower speed is obtained when it is turned in the direction of number 1.

Select the proper speed for the workpiece to be cut.

CAUTION:

- The speed adjusting dial can be turned only as far as 6 and back to 1. Do not force it past 6 or 1, or the speed adjusting function may no longer work.

Lighting up the lamp (Fig. 5)

CAUTION:

- Do not apply impact to the lamp, which may cause damage or shortened service time to it.

Pull the switch trigger to light up the lamp. The lamp keeps on lighting while the switch trigger is being pulled. The lamp goes out 10 -15 seconds after releasing the trigger.

NOTE:

- Use a dry cloth to wipe the dirt off the lens of lamp. Be careful not to scratch the lens of lamp, or it may lower the illumination.
- Do not use thinner or gasoline to clean the lamp. Such solvents may damage it.
- When the tool is overloaded during operation, the lamp flickers.
- When the remaining battery capacity becomes small, the lamp flickers.

ASSEMBLY

CAUTION:

- Always be sure that the tool is switched off and the battery cartridge is removed before carrying out any work on the tool.

Installing or removing the blade

CAUTION:

- Oil on the blade can cause the blade to slip or come off unexpectedly. Wipe off all excess oil with a cloth before installing the blade.
- Use caution when handling the blade so that you are not cut by the sharp edge of the blade teeth.

Turn the blade tightening lever clockwise until it hits against the protrusion on the frame. (Fig. 6)

Match the direction of the arrow on the blade to that of the arrow on the wheels. (Fig. 7)

Insert the blade between the bearings of the upper holder first and then into the lower holder. The blade back should contact the bearings in the lower portion of the upper holder and lower holder.

Position the blade around the wheels and insert the other side of the blade within the upper holder and lower holder until the blade back contacts the bottom of the upper holder and lower holder. (Fig. 8 & 9)

Put the blade into the groove in the blade guide.

Hold the blade in place and turn the blade-tightening lever counterclockwise until it hits against the protrusion on the frame. This places proper tension on the blade. Make

sure that the blade is correctly positioned within the blade guard and around the wheels.

Start and stop the tool two or three times to make sure that the blade runs properly on the wheels.

CAUTION:

- While making sure that the blade runs on the wheels properly, keep your body away from the blade area.

To remove the blade, follow the installation procedure in reverse.

CAUTION:

- When turning the blade tightening lever clockwise to release the tension on the blade, point the tool downward because the blade may come off unexpectedly.

Adjusting the protrusion of stopper plate (Fig. 10)

In the ordinary operation, protrude the stopper plate to the A side fully.

When the stopper plate strikes against the obstacles like a wall or the like at the finishing of a cut, loosen two screws and slide it to the B side in the figure.

After sliding the stopper plate, secure it by tightening two screws firmly.

OPERATION

It is important to keep at least two teeth in the cut.

(Fig. 11)

Select the proper cutting position for your workpiece by referring to the figure. (Fig. 12)

Hold the tool by both hands as shown in the figure with the stopper plate contacting the workpiece and the blade clear of the workpiece. (Fig. 13)

Turn the tool on and wait until the blade attains full speed. Gently lower the blade into the cut. The weight of the tool or slightly pressing the tool will supply adequate pressure for the cutting. Do not force the tool.

As you reach the end of a cut, release pressure and, without actually raising the tool, lift it slightly so that it will not fall against the workpiece.

CAUTION:

- Applying excessive pressure to the tool or twisting of the blade may cause bevel cutting or damage to the blade.
- When not using the tool for a long period of time, remove the blade from the tool.
- If the tool is operated continuously until the battery cartridge has discharged, allow the tool to rest for 15 minutes before proceeding with a fresh battery.

Cutting lubricant

When cutting metals, use Makita cutting wax as a cutting lubricant. To apply the cutting wax to the blade teeth, start the tool and cut in to the cutting wax as shown in the figure after removing a cap of the cutting wax. (Fig. 14)

CAUTION:

- Never use cutting oil or apply excessive amount of wax to the blade. It may cause the blade to slip or come off unexpectedly.
- When cutting cast iron, do not use any cutting wax.

MAINTENANCE

CAUTION:

- Always be sure that the tool is switched off and the battery cartridge is removed before attempting to perform inspection or maintenance.
- Never use gasoline, benzine, thinner, alcohol or the like. Discoloration, deformation or cracks may result.

Cleaning

After use, remove wax, chips and dust from the tool, wheel tires and blade.

CAUTION:

- Never use solvents such as turpentine, gasoline, lacquer, etc. to clean plastic parts.
- Wax and chips on the tires may cause the blade to slip and come off unexpectedly. Use a dry cloth to remove wax and chips from the tires.

Replacing tires on wheels (Fig. 15)

When the blade slips or does not track properly because of badly worn tires, or the lip of the tire on motor side gets damaged, the tires should be replaced.

Replacing carbon brushes (Fig. 16)

Remove and check the carbon brushes regularly. Replace when they wear down to the limit mark. Keep the carbon brushes clean and free to slip in the holders. Both carbon brushes should be replaced at the same time. Use only identical carbon brushes.

Use a screwdriver to remove the brush holder caps. Take out the worn carbon brushes, insert the new ones and secure the brush holder caps. (Fig. 17)

To maintain product SAFETY and RELIABILITY, repairs, any other maintenance or adjustment should be performed by Makita Authorized Service Centers, always using Makita replacement parts.

OPTIONAL ACCESSORIES

⚠ CAUTION:

- These accessories or attachments are recommended for use with your Makita tool specified in this manual. The use of any other accessories or attachments might present a risk of injury to persons. Only use accessory or attachment for its stated purpose.

If you need any assistance for more details regarding these accessories, ask your local Makita Service Center.

- Band saw blades
- Hex wrench 4
- Cutting wax
- Makita genuine battery and charger

NOTE:

- Some items in the list may be included in the tool package as standard accessories. They may differ from country to country.

Noise

ENG905-1

The typical A-weighted noise level determined according to EN60745:

Sound pressure level (L_{pA}): 81 dB (A)

Sound power level (L_{WA}): 92 dB (A)

Uncertainty (K): 3 dB (A)

Wear ear protection.

Vibration

ENG900-1

The vibration total value (tri-axial vector sum) determined according to EN60745:

Work mode: cutting metal

Vibration emission ($a_{h,CM}$): 2.5 m/s² or less

Uncertainty (K): 1.5 m/s²

ENG901-1

- The declared vibration emission value has been measured in accordance with the standard test method and may be used for comparing one tool with another.
- The declared vibration emission value may also be used in a preliminary assessment of exposure.

⚠ WARNING:

- The vibration emission during actual use of the power tool can differ from the declared emission value depending on the ways in which the tool is used.
- Be sure to identify safety measures to protect the operator that are based on an estimation of exposure in the actual conditions of use (taking account of all parts of the operating cycle such as the times when the tool is switched off and when it is running idle in addition to the trigger time).

For European countries only

ENH101-16

EC Declaration of Conformity

We Makita Corporation as the responsible manufacturer declare that the following Makita machine(s):

Designation of Machine:

Cordless Portable Band Saw

Model No./ Type: DPB180

are of series production and

Conforms to the following European Directives:

2006/42/EC

And are manufactured in accordance with the following standards or standardised documents:

EN60745

The technical documentation is kept by:

Makita International Europe Ltd.

Technical Department,

Michigan Drive, Tongwell,

Milton Keynes, Bucks MK15 8JD, England

30. 1. 2009



Tomoyasu Kato

Director

Makita Corporation

3-11-8, Sumiyoshi-cho,

Anjo, Aichi, 446-8502, JAPAN

FRANÇAIS (Instructions d'origine)

Descriptif

- | | | |
|------------------------------------|-----------------------|------------------------------|
| 1. Batterie | 11. Partie saillante | 21. Vis |
| 2. Bouton | 12. Levier | 22. Plaque de blocage |
| 3. Voyant rouge | 13. Lame | 23. Cire à coupe |
| 4. Étoile | 14. Roulement | 24. Bandage |
| 5. Bouton de verrouillage | 15. Support supérieur | 25. Lèvre |
| 6. Gâchette | 16. Support inférieur | 26. Marque de limite |
| 7. Cadran de réglage de la vitesse | 17. Disque | 27. Tournevis |
| 8. Lampe | 18. Appuyer | 28. Bouchon de porte-charbon |
| 9. Serrer | 19. Guide lame | |
| 10. Desserrer | 20. Rainure | |

SPÉCIFICATIONS

Modèle		DPB180
Capacité de coupe max.	Pièce ronde	Diam. 120 mm
	Pièce rectangulaire	120 mm x 120 mm
Vitesse de la lame		1,4 - 2,7 m/s
Taille de la lame	Longueur	1 140 mm
	Largeur	13 mm
	Épaisseur	0,5 mm
Dimensions (L x P x H)		523 mm x 231 mm x 313 mm
Poids net		6,5 kg
Tension nominale		C.C. 18 V

- Étant donné l'évolution constante de notre programme de recherche et de développement, les spécifications contenues dans ce manuel sont sujettes à des modifications sans préavis.
- Les spécifications et la batterie peuvent varier d'un pays à l'autre.
- Poids, batterie incluse, selon la procédure EPTA 01/2003

Utilisations

ENE009-1

L'outil est conçu pour la coupe du bois, du plastique et des matériaux ferreux.

Consignes de sécurité générales des outils électriques

GEA010-1

⚠ AVERTISSEMENT Veuillez lire toutes les consignes de sécurité et les instructions. Il y a un risque de choc électrique, d'incendie et/ou de blessure grave si les consignes et les instructions ne sont pas toutes respectées.

Conservez toutes les consignes et instructions pour référence ultérieure.

AVERTISSEMENTS DE SÉCURITÉ CONCERNANT LA SCIE À RUBAN PORTATIVE SANS FIL

GEB065-2

1. Tenez l'outil électrique par ses surfaces de poigne isolées lorsque vous effectuez une opération au cours de laquelle l'accessoire tranchant peut entrer en contact avec des fils cachés. Il est possible que le contact avec un fil sous tension mette les parties métalliques exposées de l'outil sous tension, risquant ainsi de provoquer un choc électrique chez l'utilisateur.
2. Utilisez uniquement des lames indiquées dans les « SPÉCIFICATIONS ».
3. Avant de commencer votre travail, vérifiez soigneusement l'absence de fissures ou de dommages sur la lame. Remplacez immédiatement toute lame fissurée ou endommagée.
4. Immobilisez la pièce fermement. Si vous coupez plusieurs pièces à la fois, assurez-vous qu'elles sont toutes bien fixées ensemble avant de procéder à la coupe.
5. La lame risque de se détacher de manière inattendue si vous coupez des pièces recouvertes d'huile. Essuyez toute trace d'huile sur les pièces avant de procéder à la coupe.
6. N'utilisez jamais d'huile de coupe comme lubrifiant de coupe. Utilisez exclusivement la cire à coupe Makita.
7. Ne portez pas de gants pendant l'opération de coupe.
8. Tenez l'outil fermement à deux mains.
9. Gardez les mains éloignées des pièces en rotation.
10. Lorsque vous coupez du métal, méfiez-vous des copeaux chauds qui jaillissent.
11. Ne laissez pas l'outil sans surveillance alors qu'il tourne.

12. Ne touchez ni la lame ni la pièce immédiatement après la coupe ; elles risquent d'être extrêmement chaudes et de vous brûler la peau.

CONSERVEZ CES INSTRUCTIONS.

AVERTISSEMENT :

NE vous laissez PAS tromper (au fil d'une utilisation répétée) par un sentiment d'aisance et de familiarité avec le produit, en négligeant le respect rigoureux des consignes de sécurité qui accompagnent l'outil. Une UTILISATION INCORRECTE de l'outil ou le non-respect des consignes de sécurité indiquées dans ce manuel d'instructions peuvent causer des blessures graves.

CONSIGNES DE SÉCURITÉ IMPORTANTES

ENC007-9

POUR LA BATTERIE

1. Avant d'utiliser la batterie, veuillez lire toutes les instructions et tous les avertissements inscrits sur (1) le chargeur, (2) la batterie et (3) l'appareil alimenté par la batterie.
2. Ne démontez pas la batterie.
3. Cessez immédiatement d'utiliser l'outil si le temps de fonctionnement devient excessivement court. Il y a un risque de surchauffe, de brûlures, voire d'explosion.
4. Si l'électrolyte pénètre dans vos yeux, rincez-les à l'eau claire et consultez immédiatement un médecin. Il y a un risque de perte de la vue.
5. Évitez de court-circuiter la batterie :
 - (1) Ne touchez les bornes avec aucun matériau conducteur.
 - (2) Évitez de ranger la batterie dans un contenant où se trouvent d'autres objets métalliques tels que des clous, pièces de monnaie, etc.
 - (3) N'exposez pas la batterie à l'eau ou à la pluie. Un court-circuit de la batterie risque de provoquer un fort courant, une surchauffe, parfois des brûlures et même une panne.
6. Ne rangez pas l'outil ou la batterie dans des endroits où la température risque d'atteindre ou de dépasser 50 °C (122 °F).
7. Ne jetez pas la batterie au feu même si elle est sérieusement endommagée ou complètement épuisée. La batterie peut exploser au contact du feu.
8. Veillez à ne pas laisser tomber ou heurter la batterie.
9. N'utilisez pas de batterie endommagée.
10. Respectez les réglementations locales relatives à la mise au rebut des batteries.

CONSERVEZ CES INSTRUCTIONS.

Conseils pour assurer la durée de vie optimale de la batterie

1. Rechargez la batterie avant qu'elle ne soit complètement épuisée.
Arrêtez toujours l'outil et rechargez la batterie quand vous constatez que la puissance de l'outil diminue.
2. Ne rechargez jamais une batterie complètement chargée.
La surcharge réduit la durée de service de la batterie.
3. Chargez la batterie alors que la température de la pièce se trouve entre 10 °C et 40 °C (50 °F et 104 °F). Si une batterie est chaude, laissez-la refroidir avant de la charger.
4. Chargez la batterie si vous ne l'avez pas utilisée pendant une longue période (plus de six mois).

DESCRIPTION DU FONCTIONNEMENT

ATTENTION :

- Assurez-vous toujours que l'outil est hors tension et que sa batterie est retirée avant d'ajuster l'outil ou de vérifier son fonctionnement.

Installation et retrait de la batterie (Fig. 1)

ATTENTION :

- Éteignez toujours l'outil avant d'installer ou de déposer la batterie.
- Tenez fermement l'outil et la batterie lors de l'installation ou du retrait de la batterie. Si vous ne tenez pas fermement l'outil et la batterie, ils risquent de glisser et de s'abîmer ou de vous blesser.

Pour retirer la batterie, faites glisser le bouton à l'avant de la batterie et sortez la batterie.

Pour installer la batterie, alignez sa languette sur la rainure qui se trouve à l'intérieur du carter, puis glissez la batterie pour la mettre en place. Insérez-la bien à fond, jusqu'à ce qu'elle se verrouille en émettant un léger clic. Si vous pouvez voir le voyant rouge sur la face supérieure du bouton, la batterie n'est pas parfaitement verrouillée.

ATTENTION :

- Installez toujours la batterie à fond, de sorte que le voyant rouge ne soit plus visible. Sinon, elle risque de tomber accidentellement de l'outil, en vous blessant ou en blessant une personne située près de vous.
- Ne forcez pas pour installer la batterie. Si la batterie ne glisse pas aisément, c'est qu'elle n'est pas insérée correctement.

Système de protection de la batterie (batterie au lithium-ion comportant une étoile) (Fig. 2)

Les batteries au lithium-ion comportant une étoile sont équipées d'un système de protection. Ce système coupe automatiquement l'alimentation en électricité vers l'outil afin de prolonger sa durée de vie.

L'outil s'arrête automatiquement pendant l'utilisation lorsqu'il et/ou la batterie se trouvent dans l'une des situations suivantes :

- Surchargé :

L'outil fonctionne de manière à créer un courant anormalement élevé.

Dans ce cas, relâchez la gâchette située sur l'outil et arrêtez l'application ayant provoqué la surcharge de l'outil. Ensuite, tirez à nouveau sur la gâchette pour redémarrer l'outil.

Si l'outil ne démarre pas, la batterie est en surchauffe. Dans ce cas, laissez la batterie refroidir avant d'appuyer à nouveau sur la gâchette.

• **Basse tension :**

L'autonomie restante est trop basse et l'outil ne fonctionnera pas. Dans ce cas, retirez la batterie et rechargez-la.

Interrupteur (Fig. 3)

ATTENTION :

- Avant d'insérer la batterie dans l'outil, vérifiez toujours que la gâchette fonctionne bien et revient en position d'arrêt lorsque libérée.

Pour éviter tout déclenchement accidentel de la gâchette, l'outil est muni d'un bouton de sécurité.

Pour démarrer l'outil, enfoncez le bouton de sécurité du côté B puis appuyez sur la gâchette.

Pour l'arrêter, relâchez la gâchette. Après l'utilisation, appuyez toujours sur le bouton de sécurité du côté A.

Cadran de réglage de la vitesse (Fig. 4)

Vous pouvez ajuster la vitesse de l'outil à l'infini sur une plage de 1,4 m/s à 2,7 m/s, en tournant le cadran de réglage. La vitesse augmente lorsque le cadran est tourné vers le numéro 6 ; elle diminue lorsqu'il est tourné vers le numéro 1.

Sélectionnez la vitesse adéquate en fonction de la pièce à couper.

ATTENTION :

- Le cadran de réglage de la vitesse ne peut être tourné que jusqu'aux positions 6 et 1. Ne le forcez pas au-delà du 6 ou du 1, sinon la fonction de réglage de la vitesse risque de ne plus fonctionner.

Allumage de la lampe (Fig. 5)

REMARQUE :

- Ne soumettez la lampe à aucun impact, pour éviter de l'endommager ou de réduire sa durée de service.

Appuyez sur la gâchette pour allumer la lampe. La lampe demeure allumée tant que la pression sur la gâchette est maintenue. La lampe s'éteint 10 à 15 secondes après la libération de la gâchette.

NOTE :

- Utilisez un chiffon sec pour essuyer les saletés qui recouvrent la lentille de la lampe. Prenez garde de rayer la lentille de la lampe, sinon sa capacité d'éclairage sera affectée.
- N'utilisez ni diluant ni essence pour nettoyer la lampe. De tels solvants risqueraient de l'endommager.
- La lampe clignote lorsque l'outil est soumis à une surcharge.
- La lampe clignote lorsque la charge restante de la batterie est basse.

ASSEMBLAGE

ATTENTION :

- Assurez-vous toujours que l'outil est hors tension et que la batterie est retirée avant d'effectuer toute intervention sur l'outil.

Installation ou retrait de la lame

ATTENTION :

- La lame risque de glisser ou de se détacher de manière inattendue s'il y a de l'huile dessus. Avant d'installer la lame, essuyez toute trace d'huile avec un chiffon.
- Soyez prudent lorsque vous manipulez la lame, pour éviter d'être coupé par le bord tranchant des dents de la lame.

Tournez le levier de serrage de la lame dans le sens des aiguilles d'une montre jusqu'à ce qu'il frappe contre la partie saillante du cadre. (Fig. 6)

Faites pointer la flèche de la lame dans le même sens que celle des disques. (Fig. 7)

Insérez d'abord la lame entre les roulements du support supérieur, puis dans le support inférieur. L'arrière de la lame doit entrer en contact avec les roulements dans la partie inférieure du support supérieur et du support inférieur.

Placez la lame autour des disques et insérez l'autre côté de la lame entre le support supérieur et le support inférieur jusqu'à ce que l'arrière de la lame entre en contact avec la face inférieure du support supérieur et du support inférieur. (Fig. 8 et 9)

Placez la lame dans la rainure du guide lame.

Maintenez la lame en place et tournez le levier de serrage de la lame dans le sens contraire des aiguilles d'une montre jusqu'à ce qu'il frappe contre la partie saillante du cadre. La tension de la lame sera ainsi adéquate.

Assurez-vous que la lame est bien placée à l'intérieur du protecteur de lame et autour des disques.

Démarrez et arrêtez l'outil deux ou trois fois pour vous assurer que la lame tourne correctement sur les disques.

ATTENTION :

- Lorsque vous vérifiez que la lame tourne correctement autour des disques, gardez votre corps à l'écart de la lame.

Pour retirer la lame, suivez la procédure d'installation en sens inverse.

ATTENTION :

- Lorsque vous tournez le levier de serrage de la lame dans le sens des aiguilles d'une montre pour libérer la tension de la lame, pointez l'outil vers le bas car la lame peut se détacher de manière inattendue.

Régler la partie saillante de la plaque de blocage (Fig. 10)

Lors d'une utilisation normale, faites sortir la plaque de blocage complètement du côté A.

Si la plaque de blocage frappe contre les obstacles tels que les murs à la fin d'une coupe, desserrez les deux vis et glissez la plaque du côté B indiqué sur la figure.

Après avoir glissé la plaque de blocage, immobilisez-la en serrant fermement les deux vis.

UTILISATION

Il est important de garder au moins deux dents dans la coupe. (Fig. 11)

Sélectionnez la position de coupe appropriée pour la pièce, en vous référant à la figure. (Fig. 12)

Tenez l'outil à deux mains de la manière indiquée sur la figure, avec la plaque de blocage en contact avec la pièce mais sans que la lame n'entre en contact avec cette dernière. (Fig. 13)

Mettez l'outil sous tension et attendez que la lame ait atteint sa pleine vitesse. Abaissez doucement la lame dans la ligne de coupe. Le propre poids de l'outil ou une légère pression suffira pour assurer une pression adéquate pour la coupe. Ne forcez pas l'outil.

Au moment de terminer la coupe, relâchez la pression et, sans vraiment lever l'outil, soulevez-le juste un peu de sorte qu'il ne tombe pas sur la pièce.

ATTENTION :

- L'application d'une pression excessive sur l'outil ou la torsion de la lame peut entraîner une coupe en biseau ou l'endommagement de la lame.
- Lorsque la lame doit demeurer inutilisée pour une période prolongée, retirez-la de l'outil.
- Si l'outil a fonctionné de façon continue jusqu'à ce que la batterie soit épuisée, laissez-le reposer pendant 15 minutes avant de poursuivre avec une batterie fraîche.

Lubrifiant de coupe

Lorsque vous coupez des pièces de métal, utilisez la cire à coupe Makita comme lubrifiant de coupe. Pour appliquer la cire à coupe sur les dents de la lame, retirez le bouchon de la cire à coupe, démarrez l'outil et coupez dans la cire, comme indiqué sur la figure. (Fig. 14)

ATTENTION :

- Ne jamais utiliser d'huile de coupe ni appliquer une quantité excessive de cire sur la lame. La lame risquerait de glisser ou de se détacher de manière inattendue.
- N'utilisez aucune cire à coupe lorsque vous coupez de la fonte.

MAINTENANCE

ATTENTION :

- Assurez-vous toujours que l'outil est hors tension et que la batterie est retirée avant d'y effectuer tout travail d'inspection ou d'entretien.
- N'utilisez jamais d'essence, de benzine, de diluant, d'alcool ou de produit similaire. Ces produits risquent de provoquer des décolorations, des déformations ou des fissures.

Nettoyage

Après l'utilisation, retirez la cire, les copeaux et la poussière de l'outil, les bandages de disque et la lame.

ATTENTION :

- N'utilisez jamais de solvants tels que térébenthine, essence ou laque pour nettoyer les pièces de plastique.
- La présence de cire et de copeaux sur les bandages peut faire glisser la lame ou la faire se détacher de

manière inattendue. Utilisez un chiffon sec pour retirer la cire et les copeaux des bandages.

Remplacement des bandages de disque (Fig. 15)

Les bandages doivent être remplacés lorsque la lame glisse ou dévie de sa trajectoire à cause d'une trop grande usure des bandages, ou lorsque la lèvre du bandage est endommagée du côté du moteur.

Remplacement des charbons (Fig. 16)

Retirez et vérifiez les charbons régulièrement.

Remplacez-les lorsqu'ils atteignent la marque de limite. Gardez les charbons propres et libres de glisser dans les porte-charbons. Il faut remplacer les deux charbons en même temps. Utilisez uniquement des charbons identiques.

Retirez les bouchons de porte-charbon à l'aide d'un tournevis. Enlevez les charbons usés, insérez les neufs et remettez en place les bouchons de porte-charbon.

(Fig. 17)

Pour assurer la SÉCURITÉ et la FIABILITÉ du produit, toute réparation et tout travail d'entretien ou de réglage doivent être effectués par un Centre de service après-vente agréé Makita, avec des pièces de rechange Makita.

ACCESSOIRES FOURNIS EN OPTION

⚠ ATTENTION :

- Ces accessoires ou pièces complémentaires sont recommandés pour être utilisés avec l'outil Makita spécifié dans ce mode d'emploi. L'utilisation de tout autre accessoire ou pièce complémentaire peut comporter un risque de blessure. N'utilisez les accessoires ou pièces qu'aux fins auxquelles ils ont été conçus.

Pour obtenir plus de détails sur ces accessoires, contactez votre Centre de service local Makita.

- Lames de scie à ruban
- Clé hexagonale 4
- Cire à coupe
- Batterie et chargeur Makita authentiques

REMARQUE :

- Certains éléments de la liste peuvent être inclus en tant qu'accessoires standard dans le coffret de l'outil envoyé. Ils peuvent varier suivant les pays.

Bruit

ENG905-1

Les niveaux de bruit pondéré A typiques ont été mesurés selon la norme EN60745 :

Niveau de pression sonore (L_{pA}) : 81 dB (A)

Niveau de puissance sonore (L_{WA}) : 92 dB (A)

Incertitude (K) : 3 dB (A)

Portez des protections auditives.

Vibrations

ENG900-1

La valeur totale de vibration (somme du vecteur triaxial) a été déterminée selon la norme EN60745 :

Mode de fonctionnement : coupe de métal

Émission de vibrations ($a_{h,CM}$) : 2,5 m/s² ou moins

Incertitude (K) : 1,5 m/s²

- La valeur de l'émission des vibrations déclarée a été mesurée conformément à la méthode de test standard et peut être utilisée afin de comparer des outils entre eux.
- La valeur de l'émission des vibrations déclarée peut également être utilisée lors d'une évaluation préliminaire de l'exposition.

⚠ AVERTISSEMENT :

- Selon la manière dont l'outil est utilisé, il est possible que l'émission des vibrations pendant l'utilisation réelle de l'outil électrique diffère de la valeur de l'émission déclarée.
- Veuillez à identifier les mesures de sécurité destinées à protéger l'opérateur et établies en fonction de l'estimation de l'exposition dans les conditions réelles d'utilisation (en prenant en compte toutes les étapes du cycle de fonctionnement, telles que les périodes de mise hors tension de l'outil, les périodes de fonctionnement au ralenti et les périodes de mise en route).

Pour les pays d'Europe uniquement ENH101-16
Déclaration de conformité CE

Nous, Makita Corporation, en tant que fabricant responsable, déclarons que les machines Makita suivantes :

Nom de la machine :
 Scie à Ruban Portative sans Fil
 N° de modèle/Type : DPB180
 sont fabriquées en série et

Sont conformes aux directives européennes suivantes :

2006/42/CE

Et sont produites conformément aux normes ou documents de normalisation suivants :

EN60745

La documentation technique est disponible auprès de :

Makita International Europe Ltd.
 Technical Department,
 Michigan Drive, Tongwell,
 Milton Keynes, Bucks MK15 8JD, Angleterre

30.01.2009



Tomoyasu Kato
 Directeur
 Makita Corporation
 3-11-8, Sumiyoshi-cho,
 Anjo, Aichi, 446-8502, JAPAN

DEUTSCH (Originalanweisungen)

Erklärung der Gesamtdarstellung

- | | | |
|----------------------|----------------------|------------------------|
| 1. Akkublock | 11. Vorsprung | 21. Schraube |
| 2. Taste | 12. Hebel | 22. Anschlagplatte |
| 3. Roter Bereich | 13. Sägeblatt | 23. Schneidwachs |
| 4. Sternmarkierung | 14. Lager | 24. Reifen |
| 5. Entsperrungstaste | 15. Oberer Halter | 25. Lippe |
| 6. Ein/Aus-Schalter | 16. Unterer Halter | 26. Verschleißgrenze |
| 7. Drehzahl-Stellrad | 17. Rad | 27. Schraubendreher |
| 8. Lampe | 18. Drücken | 28. Bürstenhalterkappe |
| 9. Festschrauben | 19. Sägeblatfführung | |
| 10. Lösen | 20. Rille | |

SPEZIFIKATIONEN

Modell		DPB180
Max. Schnitttiefe	Rundes Werkstück	ø 120 mm
	Rechteckiges Werkstück	120 mm x 120 mm
Sägebanddrehzahl		1,4 - 2,7 m/s
Sägeblattgröße	Länge	1.140 mm
	Breite	13 mm
	Stärke	0,5 mm
Gesamtabmessungen (L x B x H)		523 mm x 231 mm x 313 mm
Nettogewicht		6,5 kg
Nennspannung		Gleichspannung 18 V

- Aufgrund unserer beständigen Forschungen und Weiterentwicklungen sind Änderungen an den hier angegebenen Technischen Daten ohne Vorankündigung vorbehalten.
- Die Technischen Daten und der Akkublock können in den einzelnen Ländern Abweichungen aufweisen.
- Gewicht, mit Akkublock, ermittelt gemäß EPTA-Verfahren 01/2003

Verwendungszweck ENE009-1
Das Werkzeug wurde für das Sägen von Holz, Kunststoff und Eisenwerkstoffen entwickelt.

Allgemeine Sicherheitshinweise für Elektrowerkzeuge

GEA010-1

⚠️ WARNUNG Lesen Sie alle Sicherheitshinweise und Anweisungen sorgfältig durch. Wenn die Hinweise und Anweisungen nicht beachtet werden, besteht die Gefahr eines Stromschlags, Brands und/oder das Risiko von ernsthaften Verletzungen.

Bewahren Sie alle Hinweise und Anweisungen zur späteren Referenz gut auf.

SICHERHEITSHINWEISE ZUR AKKU-BANDSÄGE

GEB065-2

1. Halten Sie das Werkzeug an den isolierten Griffflächen, wenn Sie unter Bedingungen arbeiten, bei denen das Schneidwerkzeug verborgene Kabel berühren kann. Bei Kontakt des Schneidzubehörs mit einem stromführenden Kabel könnten die Metallteile des Elektrowerkzeugs unter Strom gesetzt werden und der Bediener könnte dadurch einen Stromschlag erleiden.

2. Verwenden Sie nur die unter „SPEZIFIKATIONEN“ aufgelisteten Sägebänder.
3. Überprüfen Sie das Sägeband vor dessen Gebrauch sorgfältig auf Risse oder sonstige Beschädigungen. Wechseln Sie ein Sägeband mit Rissen oder sonstigen Beschädigungen unverzüglich aus.
4. Spannen Sie das Werkstück fest ein. Wenn Sie mehrere Werkstücklagen sägen, vergewissern Sie sich, dass alle Werkstücke fest zusammengehalten werden, bevor Sie mit dem Sägevorgang beginnen.
5. Wenn Sie ölbedeckte Werkstücke sägen, kann das Sägeband plötzlich abrutschen. Wischen Sie überschüssiges Öl vor dem Sägen von den Werkstücken ab.
6. Verwenden Sie niemals Schneidöl als Sägeschmiermittel. Verwenden Sie ausschließlich Makita Schneidwachs.
7. Tragen Sie während des Betriebs keine Handschuhe.
8. Halten Sie das Werkzeug mit beiden Händen fest.
9. Halten Sie Ihre Hände von beweglichen Teilen fern.
10. Achten Sie beim Schneiden von Metall auf herausgeschleuderte heiße Späne.
11. Lassen Sie das Werkzeug nicht unbeaufsichtigt laufen.

12. Berühren Sie kurz nach dem Betrieb weder das Sägeband noch das Werkstück. Diese können extrem heiß sein und zu Verbrennungen führen.

BEWAHREN SIE DIESE ANLEITUNG SORGFÄLTIG AUF.

WARNUNG:

Lassen Sie sich NIEMALS aus Bequemlichkeit oder (aus fortwährendem Gebrauch gewonnener) Vertrautheit mit dem Werkzeug dazu verleiten, die Sicherheitsregeln für das Werkzeug zu missachten. Bei MISSBRÄUCLICHER Verwendung des Werkzeugs oder bei Missachtung der in diesem Handbuch enthaltenen Sicherheitshinweise kann es zu schweren Verletzungen kommen.

WICHTIGE SICHERHEITSREGELN

ENC007-9

FÜR AKKUBLOCK

1. Lesen Sie vor der Verwendung des Akkublocks alle Anweisungen und Sicherheitshinweise für das Akkuladegerät (1), den Akku (2) und das Produkt (3), für das der Akku verwendet wird, sorgfältig durch.
2. Der Akkublock darf nicht zerlegt werden.
3. Falls die Betriebsdauer erheblich kürzer wird, beenden Sie den Betrieb umgehend. Andernfalls besteht die Gefahr einer Überhitzung sowie das Risiko möglicher Verbrennungen und sogar einer Explosion.
4. Wenn Elektrolyt in Ihre Augen gerät, waschen Sie diese mit klarem Wasser aus und suchen Sie sofort einen Arzt auf. Andernfalls können Sie Ihre Sehfähigkeit verlieren.
5. Vermeiden Sie einen Kurzschluss des Akkublocks:
 - (1) Die Kontakte dürfen nicht mit leitendem Material in Berührung kommen.
 - (2) Der Akkublock darf nicht in einem Behälter aufbewahrt werden, in dem sich andere metallische Gegenstände wie beispielsweise Nägel, Münzen usw. befinden.
 - (3) Der Akkublock darf weder Feuchtigkeit noch Regen ausgesetzt werden.Ein Kurzschluss des Akkus kann zu hohem Kriechstrom, Überhitzung, möglichen Verbrennungen und sogar zu einer Zerstörung des Werkzeugs führen.
6. Werkzeug und Akkublock dürfen nicht an Orten aufbewahrt werden, an denen Temperaturen von 50°C oder darüber erreicht werden können.
7. Beschädigte oder verbrauchte Akkus dürfen nicht verbrannt werden. Der Akkublock kann in den Flammen explodieren.
8. Lassen Sie den Akku nicht fallen und vermeiden Sie Schläge gegen den Akku.
9. Verwenden Sie niemals einen beschädigten Akku.
10. Befolgen Sie die in Ihrem Land geltenden Bestimmungen bzgl. der Entsorgung von Akkus.

BEWAHREN SIE DIESE ANLEITUNG SORGFÄLTIG AUF.

Tipps für eine maximale Nutzungsdauer von Akkus

1. Laden Sie den Akkublock auf, bevor der Akku vollständig entladen ist. Sobald Sie eine verringerte Leistung des Werkzeugs bemerken, beenden Sie stets den Betrieb des Werkzeugs und laden Sie den Akkublock auf.
2. Ein voll aufgeladener Akkublock darf niemals erneut geladen werden. Durch Überladungen wird die Lebensdauer des Akkus verkürzt.
3. Laden Sie den Akkublock bei einer Zimmertemperatur von 10°C bis 40°C auf. Lassen Sie einen heißen Akkublock vor dem Aufladen abkühlen.
4. Laden Sie den Akkublock auf, wenn Sie diesen für längere Zeit nicht verwenden (mehr als sechs Monate).

FUNKTIONSBESCHREIBUNG

ACHTUNG:

- Schalten Sie das Werkzeug stets aus und entfernen Sie den Akkublock, bevor Sie Einstellungen oder eine Funktionsprüfung des Werkzeugs vornehmen.

Montage und Demontage des Akkublocks (Abb. 1)

ACHTUNG:

- Schalten Sie das Werkzeug stets aus, bevor Sie den Akkublock einsetzen oder abnehmen.
- Halten Sie das Werkzeug und den Akkublock sicher fest, wenn Sie den Akkublock einsetzen oder herausnehmen. Andernfalls könnte Ihnen das Werkzeug oder der Akkublock aus den Händen fallen, sodass das Werkzeug oder der Akkublock beschädigt werden oder diese Verletzungen verursachen.

Zum Abnehmen des Akkublocks müssen Sie die Taste auf der Vorderseite des Akkublocks schieben und gleichzeitig den Akkublock aus dem Werkzeug herausziehen.

Zum Einsetzen des Akkublocks müssen Sie die Zunge des Akkublocks an der Rille im Gehäuse ausrichten und in die gewünschte Position schieben. Setzen Sie den Akkublock ganz ein, bis er mit einem Klick einrastet. Wenn Sie den roten Bereich oben auf der Taste sehen können, ist der Akkublock nicht ganz eingerastet.

ACHTUNG:

- Setzen Sie den Akkublock unbedingt ganz ein, bis der rote Bereich nicht mehr zu sehen ist. Andernfalls kann der Akkublock versehentlich aus dem Werkzeug fallen und Sie oder umstehende Personen verletzen.
- Wenden Sie beim Einsetzen des Akkublocks keine Gewalt an. Wenn der Akkublock nicht leicht hineingleitet, ist er nicht richtig angesetzt.

Akku-Schutzsystem (Lithium-Ionen-Akku mit Sternmarkierung) (Abb. 2)

Lithium-Ionen-Akkus mit einer Sternmarkierung verfügen über ein Schutzsystem. Dieses System schaltet die Stromversorgung des Werkzeugs automatisch aus, um die Lebensdauer des Akkus zu verlängern. Unter folgenden Bedingungen des Werkzeugs und/oder des Akkus kann das Werkzeug während des Betriebs automatisch stoppen:

- Überlastet:
Das Werkzeug wird auf eine Weise betrieben, die zu einer anormal hohen Stromaufnahme führt. Lassen Sie in dieser Situation den Ein/Aus-Schalter des Werkzeugs los und beenden Sie die Arbeiten, die zu der Überlastung des Werkzeugs geführt haben. Betätigen Sie anschließend den Ein/Aus-Schalter wieder, um das Werkzeug wieder in Betrieb zu nehmen.
Wenn das Werkzeug nicht startet, ist der Akku überhitzt. Lassen Sie in dieser Situation den Akku erst abkühlen, bevor Sie wieder den Ein/Aus-Schalter betätigen.
- Spannung des Akkus zu niedrig:
Die noch vorhandene Akkuladung ist zu niedrig, und das Werkzeug startet nicht. Entnehmen Sie in dieser Situation den Akku und laden Sie den Akku wieder auf.

Bedienung des Schalters (Abb. 3)

ACHTUNG:

- Achten Sie vor dem Einsetzen des Akkublocks in das Werkzeug darauf, dass sich der Ein/Aus-Schalter korrekt bedienen lässt und beim Loslassen auf die Position „OFF“ (AUS) zurückkehrt.
Damit die Auslöseschaltung nicht versehentlich gezogen wird, befindet sich am Werkzeug eine Entsperrungstaste. Um das Werkzeug zu starten, drücken Sie Entsperrungstaste von der Seite B nach unten und betätigen den Ein-/Aus-Schalter.
Lassen Sie zum Ausschalten des Werkzeugs den Ein/Aus-Schalter los. Drücken Sie die Entsperrungstaste nach dem Gebrauch stets von der Seite A herunter.

Drehzahl-Stellrad (Abb. 4)

Die Drehzahl des Werkzeugs kann durch Drehen des Drehzahl-Stellrads stufenlos zwischen 1,4 m/s und 2,7 m/s eingestellt werden. Sie erreichen eine höhere Geschwindigkeit, wenn das Rad in Richtung der Zahl 6 gedreht wird; wird es in Richtung der Zahl 1 gedreht, verringert sich die Geschwindigkeit. Wählen Sie die geeignete Geschwindigkeit für das zu schneidende Werkstück.

ACHTUNG:

- Das Drehzahl-Stellrad lässt sich nur bis 6 und zurück auf 1 drehen. Wird es gewaltsam über 6 oder 1 hinaus gedreht, lässt sich die Drehzahl möglicherweise nicht mehr einstellen.

Einschalten der Lampen (Abb. 5)

ACHTUNG:

- Die Lampe darf keinen Erschütterungen ausgesetzt werden, da sie andernfalls beschädigt oder ihre Lebensdauer verkürzt werden kann.
Ziehen Sie zum Einschalten der Lampe die Auslöseschaltung. Die Lampe leuchtet so lange, wie die Auslöseschaltung gezogen ist. Nach dem Loslassen des Auslösers erlischt die Lampe nach 10 - 15 Sekunden.

HINWEIS:

- Wischen Sie Schmutz auf der Lampenlinse mit einem trockenen Tuch ab. Achten Sie darauf, die Lampenlinse nicht zu zerkratzen, da dies die Beleuchtungsstärke mindern kann.
- Verwenden Sie weder Verdünnung noch Benzin zum Reinigen der Lampe. Sie kann durch diese Lösungsmittel beschädigt werden.
- Wird das Werkzeug während des Betriebs überlastet, flackert die Lampe.
- Bei einem niedrigen Akku-Ladestand flackert die Lampe ebenfalls.

MONTAGE

ACHTUNG:

- Schalten Sie das Werkzeug stets aus, und entfernen Sie den Akkublock, bevor Sie Arbeiten am Werkzeug ausführen.

Montage und Demontage des Sägeblatts

ACHTUNG:

- Wenn sich Öl auf dem Sägeblatt befindet, kann es abrutschen oder sich plötzlich lösen. Wischen Sie überschüssiges Öl vor dem Einsetzen des Sägeblatts mit einem Tuch ab.
- Seien Sie beim Umgang mit dem Sägeblatt vorsichtig, damit Sie sich nicht an den scharfen Kanten der Sägeblattzähne verletzen.

Drehen Sie den Sägeblatt-Spannhebel im Uhrzeigersinn, bis er gegen den Vorsprung des Rahmens stößt. **(Abb. 6)**

Richten Sie die Pfeilrichtung auf dem Sägeblatt an der Richtung des Pfeils auf den Rädern aus. **(Abb. 7)**

Setzen Sie das Sägeblatt zunächst zwischen das Lager der oberen Halterung und anschließend in das Lager der unteren Halter. Die Rückseite des Sägeblattes muss die Lager, die obere und untere Halterung im unteren Bereich berühren.

Führen Sie das Sägeblatt um die Räder, und setzen Sie die andere Seite des Sägeblatts zwischen den oberen und unteren Halter ein, bis die Rückseite des Sägeblatts die Unterseite des oberen und unteren Halters berührt. **(Abb. 8 und 9)**

Setzen Sie das Sägeblatt in die Rille der Sägeblattführung.

Halten Sie das Sägeblatt in dieser Position fest, und drehen Sie den Sägeblatt-Spannhebel gegen den Uhrzeigersinn, bis er gegen den Vorsprung des Rahmens stößt. Dadurch wird das Sägeblatt korrekt gespannt. Vergewissern Sie sich, dass das Sägeblatt korrekt im Blattschutz sitzt und richtig um die Räder positioniert ist.

Starten und stoppen Sie das Werkzeug zwei- bis dreimal, um sicherzustellen, dass das Sägeblatt ordnungsgemäß über die Räder läuft.

ACHTUNG:

- Halten Sie Ihren Körper während dieser Prüfung vom Blattbereich fern.

Zum Demontieren des Sägeblatts müssen Sie die Einbauprozedur in umgekehrter Reihenfolge ausführen.

ACHTUNG:

- Wenn Sie den Sägeblatt-Spannhebel im Uhrzeigersinn drehen, um die Spannung des Sägeblatts zu lockern, halten Sie das Werkzeug nach unten, da das Sägeblatt plötzlich herauspringen kann.

Einstellen des Vorsprungs der Anschlagplatte (Abb. 10)

Bei normalem Betrieb muss die Anschlagplatte vollständig in Richtung A überstehen.

Wenn die Anschlagplatte am Ende eines Schnitts gegen ein Hindernis (beispielsweise eine Wand oder dergleichen) stößt, lösen Sie die beiden Schrauben, und schieben Sie die Platte in Richtung B, wie in der Abbildung dargestellt.

Sichern Sie die Anschlagplatte nach dem Verschieben, indem Sie die beiden Schrauben fest anziehen.

BETRIEB

Sie müssen unbedingt mindestens zwei Zähne im Schnitt lassen. (Abb. 11)

Wählen Sie gemäß der Abbildung die geeignete Schnittposition für Ihr Werkstück. (Abb. 12)

Halten Sie das Werkzeug wie in der Abbildung mit beiden Händen. Die Anschlagplatte muss das Werkstück berühren, das Sägeblatt darf jedoch keinen Kontakt zum Werkstück haben. (Abb. 13)

Schalten Sie das Werkzeug ein und warten Sie, bis das Sägeblatt die volle Drehzahl erreicht hat. Senken Sie das Sägeblatt vorsichtig in den Schnitt. Das Eigengewicht des Werkzeugs oder leichtes Andrücken liefern genügend Druck für den Schnittvorgang. Üben Sie keinen übermäßigen Druck auf das Werkzeug aus.

Verringern Sie kurz vor dem Ende des Schnitts den Druck, und halten Sie das Werkzeug leicht hoch, ohne es ganz anzuheben, damit es nicht gegen das Werkstück fällt.

ACHTUNG:

- Übermäßiger Druck auf das Werkzeug oder ein Verdrehen des Sägeblatts kann zu einem schiefen Schnitt oder einer Beschädigung des Sägeblatts führen.
- Wenn Sie das Werkzeug über einen längeren Zeitraum nicht benutzen, entfernen Sie das Sägeblatt aus dem Werkzeug.
- Wenn das Werkzeug bis zur vollständigen Entladung des Akkus betrieben wurde, lassen Sie es 15 Minuten liegen, bevor Sie mit einem neuen Akku fortfahren.

Sägeschmiermittel

Beim Schneiden von Metall muss das Schneidwachs von Makita als Sägeschmiermittel verwendet werden. Zum Auftragen des Schneidwachses auf die Sägeblattzähne müssen Sie das Werkzeug einschalten und in das

Schneidwachs einschneiden, nachdem Sie die Kappe vom Schneidwachs abgenommen haben (siehe Abbildung). (Abb. 14)

ACHTUNG:

- Verwenden Sie auf keinen Fall Schneidöl, und tragen Sie auch nicht zu viel Wachs auf das Sägeblatt auf. Das Sägeblatt kann sonst rutschen oder sich plötzlich lösen.
- Tragen Sie zum Schneiden von Gusseisen kein Schneidwachs auf.

WARTUNG

ACHTUNG:

- Schalten Sie das Werkzeug stets aus und entfernen Sie den Akkublock, bevor Sie Inspektionen oder Wartungsarbeiten am Werkzeug vornehmen.
- Verwenden Sie zum Reinigen niemals Kraftstoffe, Benzin, Verdünner, Alkohol oder ähnliches. Dies kann zu Verfärbungen, Verformungen oder Rissen führen.

Reinigung

Entfernen Sie nach dem Gebrauch Wachs, Späne und Staub von Werkzeug, Radreifen und Sägeblatt.

ACHTUNG:

- Verwenden Sie zum Reinigen von Kunststoffteilen niemals Lösungsmittel wie Terpentin, Benzin, Lackverdünner oder ähnliche Mittel.
- Wenn sich Wachs und Späne auf den Reifen befinden, kann das Sägeblatt rutschen und sich plötzlich lösen. Säubern Sie die Reifen mit einem trockenen Tuch von Wachs und Spänen.

Auswechseln der Radreifen (Abb. 15)

Wenn das Sägeblatt auf Grund stark abgenutzter Reifen rutscht oder nicht richtig in der Spur liegt, oder die Lippe des Reifens auf der Motorseite beschädigt wird, sollten die Reifen ausgewechselt werden.

Austausch der Kohlebürsten (Abb. 16)

Entfernen und überprüfen Sie die Kohlebürsten in regelmäßigen Abständen. Ersetzen Sie diese, wenn sie bis zur Verschleißgrenze abgenutzt sind. Halten Sie die Kohlebürsten sauber und sorgen Sie dafür, dass sie locker in den Halterungen liegen. Beide Kohlebürsten sollten gleichzeitig ersetzt werden. Verwenden Sie nur identische Kohlebürsten.

Verwenden Sie einen Schraubendreher, um die Bürstenhalterkappen zu entfernen. Entnehmen Sie die verbrauchten Kohlebürsten, legen Sie die neuen ein und bringen Sie die Bürstenhalterkappen wieder fest an.

(Abb. 17)

Um die SICHERHEIT und ZUVERLÄSSIGKEIT des Produkts zu gewährleisten, sollten Reparaturen, Wartungsarbeiten und Einstellungen nur durch von Makita autorisierte Servicecenter durchgeführt und immer Makita-Ersatzteile verwendet werden.

SONDERZUBEHÖR

⚠ ACHTUNG:

- Für das in diesem Handbuch beschriebene Makita-Gerät werden die folgenden Zubehör- und Zusatzteile

empfohlen. Bei Verwendung anderer Zubehör- und Zusatzteile kann es zu Verletzungen kommen. Verwenden Sie Zubehör- und Zusatzteile nur für den vorgesehenen Zweck.

Informationen zu diesem Zubehör erhalten Sie von Ihrem Makita-Servicecenter.

- Bandsägeblätter
- Sechskantschlüssel 4
- Schneidwachs
- Originalakku und Ladegerät von Makita

HINWEIS:

- Einige der in der Liste aufgeführten Elemente sind dem Werkzeugpaket als Standardzubehör beigelegt. Diese können in den einzelnen Ländern voneinander abweichen.

Schallpegel

ENG905-1

Typischer A-bewerteter Schallpegel nach EN60745:

Schalldruckpegel (L_{pA}): 81 dB (A)

Schallleistungspegel (L_{WA}): 92 dB (A)

Abweichung (K): 3 dB (A)

Tragen Sie Gehörschutz.

Schwingung

ENG900-1

Schwingungsgesamtwerte (Vektorsumme dreier Achsen) nach EN60745:

Arbeitsmodus: Schneiden von Metall

Schwingungsbelastung ($a_{h, CM}$): 2,5 m/s² oder weniger

Abweichung (K): 1,5 m/s²

ENG901-1

- Der hier angegebene Wert für die erzeugten Schwingungen wurde gemäß dem genormten Testverfahren ermittelt und kann als Vergleich zu anderen Werkzeugen herangezogen werden.
- Der angegebene Wert für die erzeugten Schwingungen ist außerdem für eine vorbeugende Bewertung der Belastung zu verwenden.

WARNUNG:

- Die Schwingungsbelastung kann bei tatsächlichem Gebrauch des Elektrowerkzeugs in Abhängigkeit von der Handhabung des Elektrowerkzeugs von dem hier aufgeführten Wert abweichen.
- Stellen Sie sicher, dass Schutzmaßnahmen für den Bediener getroffen werden, die auf den unter den tatsächlichen Arbeitsbedingungen zu erwartenden Belastungen beruhen (beziehen Sie alle Bestandteile des Arbeitsablaufs ein, also zusätzlich zu den Arbeitszeiten auch Zeiten, in denen das Werkzeug ausgeschaltet ist oder ohne Last läuft).

Nur für europäische Länder

ENH101-16

EG-Konformitätserklärung

Wir, Makita Corporation als verantwortlicher

Hersteller, erklären, dass das/die folgenden Gerät/

Geräte der Marke Makita:

Bezeichnung des Geräts:

Akku-Bandsäge

Nummer / Typ des Modells: DPB180

in Serienfertigung hergestellt wird/werden und

den folgenden Richtlinien der Europäischen Union

genügt/genügen:

2006/42/EG

Außerdem werden die Geräte gemäß den folgenden Standards oder Normen gefertigt:

EN60745

Die technische Dokumentation erfolgt durch:

Makita International Europe Ltd.

Technical Department,

Michigan Drive, Tongwell,

Milton Keynes, Bucks MK15 8JD, England

30. 1. 2009



Tomoyasu Kato

Direktor

Makita Corporation

3-11-8, Sumiyoshi-cho,
Anjo, Aichi, 446-8502, JAPAN

ITALIANO (Istruzioni originali)

Spiegazione della vista generale

- | | | |
|---|------------------------|-----------------------------|
| 1. Batteria | 10. Allentare | 20. Scanalatura |
| 2. Pulsante | 11. Sporgenza | 21. Vite |
| 3. Indicatore rosso | 12. Leva | 22. Piastra di fermo |
| 4. Contrassegno a stella | 13. Lama | 23. Cera da taglio |
| 5. Sicura di accensione | 14. Cuscinetto | 24. Pneumatico |
| 6. Interruttore | 15. Supporto superiore | 25. Labbro |
| 7. Manopola di regolazione della velocità | 16. Supporto inferiore | 26. Indicatore di limite |
| 8. Lampada | 17. Disco | 27. Cacciavite |
| 9. Serrare | 18. Premere | 28. Coperchio portaspazzola |
| | 19. Guida della lama | |

SPECIFICHE TECNICHE

Modello		DPB180
Capacità massima di taglio	Pezzo rotondo	Diametro 120 mm
	Pezzo rettangolare	120 mm x 120 mm
Velocità lama		1,4 - 2,7 m/s
Dimensioni lama	Lunghezza	1.140 mm
	Larghezza	13 mm
	Spessore	0,5 mm
Dimensioni totali (L x P x A)		523 mm x 231 mm x 313 mm
Peso netto		6,5 kg
Tensione nominale		18 V CC

- Le caratteristiche tecniche riportate di seguito sono soggette a modifiche senza preavviso in virtù del nostro programma continuo di ricerca e sviluppo.
- Le caratteristiche tecniche e le batterie possono differire da paese a paese.
- Peso, comprensivo di batterie, calcolato in base alla Procedura EPTA 01/2003

Uso previsto

ENE009-1

Questo utensile è progettato per segare legno, plastica e materiali ferrosi.

Avvertenze generali di sicurezza per l'uso dell'utensile

GEA010-1

⚠ AVVERTENZA Leggere attentamente tutte le avvertenze di sicurezza e le istruzioni. La mancata osservanza delle istruzioni e delle avvertenze riportate di seguito potrebbe provocare scosse elettriche, incendi e/o lesioni gravi.

Conservare le avvertenze e le istruzioni per riferimenti futuri.

AVVERTENZE DI SICUREZZA PER LA SEGA A NASTRO PORTATILE A BATTERIA

GEB065-2

1. Se vengono eseguite operazioni in cui l'accessorio di taglio può toccare fili nascosti, impugnare l'utensile con i punti di presa isolati. Negli accessori di taglio che entrano a contatto con un filo percorso da corrente, le parti metalliche esposte potrebbero trovarsi anch'esse sotto tensione, provocando scosse elettriche all'operatore.

2. Utilizzare solo le lame indicate nelle "SPECIFICHE TECNICHE".
3. Prima dell'uso, verificare lo stato della lama, accertandosi che non vi siano crepe o danni. Sostituire immediatamente la lama che presenta crepe o danni.
4. Fissare saldamente il pezzo. Per tagliare un fascio di pezzi, accertarsi che siano tutti fissati insieme prima di procedere.
5. Il taglio di pezzi sporchi d'olio potrebbe far staccare inaspettatamente la lama. Togliere l'olio in eccesso dai pezzi prima del taglio.
6. Non utilizzare mai olio da taglio come lubrificante per il taglio. Usare soltanto cera da taglio Makita.
7. Non indossare i guanti durante il lavoro.
8. Tenere saldamente l'utensile con entrambe le mani.
9. Tenere le mani lontano dalle parti rotanti.
10. Tagliando il metallo, fare attenzione ai trucioli che volano via.
11. Non lasciare l'utensile funzionante incustodito.
12. Non toccare la lama o il pezzo in lavorazione subito dopo aver utilizzato l'utensile in quanto possono raggiungere temperature elevate e provocare ustioni.

CONSERVARE QUESTE ISTRUZIONI.

AVVERTENZA:

NON lasciare che la familiarità acquisita con il prodotto (dovuta all'uso ripetuto) provochi l'inosservanza delle norme di sicurezza. L'USO IMPROPRIO o la mancata osservanza delle norme di sicurezza indicate in questo manuale di istruzioni possono provocare gravi danni alla persona.

ISTRUZIONI IMPORTANTI PER LA SICUREZZA

ENC007-9

RELATIVE ALLA BATTERIA

1. Prima di utilizzare la batteria, leggere tutte le istruzioni e gli avvisi di sicurezza relativi a (1) caricabatteria, (2) batteria e (3) prodotto utilizzato con la batteria.
2. Non smontare la batteria.
3. Se il tempo di funzionamento è diventato eccessivamente breve, non utilizzare l'utensile. Potrebbero verificarsi surriscaldamenti, ustioni o esplosioni.
4. In caso di contatto dell'elettrolita della batteria con gli occhi, sciacquare con acqua fresca e rivolgersi immediatamente a un medico. Potrebbero verificarsi danni permanenti alla funzionalità visiva.
5. Non cortocircuitare la batteria:
 - (1) Non toccare i terminali della batteria con materiale in grado di condurre elettricità.
 - (2) Evitare di conservare la batteria a contatto con oggetti metallici quali chiodi, monete e così via.
 - (3) Non esporre le batterie all'acqua o alla pioggia.Un cortocircuito può provocare un elevato flusso di corrente, surriscaldamento, ustioni o rotture.
6. Non conservare l'utensile e la batteria a una temperatura superiore a 50 °C.
7. Evitare di smaltire le batterie danneggiate o esaurite bruciandole. Se esposte al fuoco, le batterie possono esplodere.
8. Evitare di far cadere o di colpire la batteria.
9. Non utilizzare batterie danneggiate.
10. Attenersi alle normative della propria area geografica relative allo smaltimento delle batterie.

CONSERVARE QUESTE ISTRUZIONI.

Suggerimenti per il prolungamento della durata della batteria

1. Caricare le batterie prima di scaricarle completamente. Se si nota una diminuzione di potenza dell'utensile, interrompere il lavoro e ricaricare la batteria.
2. Non ricaricare una batteria già completamente carica.

In caso contrario, la durata operativa della batteria potrebbe ridursi.

3. Caricare la batteria in ambienti con temperatura compresa tra 10 °C e 40 °C. Prima di caricare una batteria surriscaldata, lasciarla raffreddare.
4. Caricare la batteria qualora non venga utilizzata per un lungo periodo (superiore a sei mesi).

DESCRIZIONE FUNZIONALE

ATTENZIONE:

- Prima di regolare o controllare le funzioni dell'utensile, verificare sempre di averlo spento e di aver rimosso la batteria.

Installazione o rimozione della batteria (Fig. 1)

ATTENZIONE:

- Prima di inserire o rimuovere la batteria, spegnere sempre l'utensile.
- Durante l'inserimento o la rimozione della batteria, tenere saldamente l'utensile e la batteria stessa. In caso contrario potrebbero scivolare dalle mani, con conseguenti danni all'utensile, alla batteria e alla persona.

Per rimuovere la batteria è sufficiente estrarla dall'utensile facendo scorrere il pulsante sulla parte anteriore della batteria.

Per inserire la batteria, allineare la linguetta della batteria con la scanalatura nell'alloggiamento e farla scorrere in posizione. Inserire a fondo la batteria fino a bloccarla in posizione con uno scatto. Se è visibile l'indicatore rosso sul lato superiore del pulsante, significa che la batteria non è completamente inserita.

ATTENZIONE:

- Inserire a fondo la batteria fino alla scomparsa dell'indicatore rosso. In caso contrario la batteria potrebbe fuoriuscire accidentalmente dall'utensile, provocando danni all'operatore o a eventuali osservatori.
- Non forzare l'inserimento della batteria. Se la batteria non scorre agevolmente, significa che la manovra di inserimento non è corretta.

Sistema di protezione della batteria (batteria agli ioni di litio con contrassegno a stella) (Fig. 2)

Le batterie agli ioni di litio con contrassegno a stella sono dotate di una sistema di protezione. Questo sistema interrompe automaticamente l'alimentazione dell'utensile per prolungare la durata della batteria.

L'utensile viene spento automaticamente durante l'uso se l'utensile stesso e/o la batteria vengono utilizzati in una delle condizioni riportate di seguito:

- Sovraccarico:

La modalità d'uso dell'utensile provoca un assorbimento anomalo di corrente. In questa situazione occorre rilasciare l'interruttore di accensione dell'utensile e interrompere l'operazione che ne ha provocato il sovraccarico. Azionare di nuovo l'interruttore di accensione per riavviare l'utensile.

In caso di mancato avvio dell'utensile, si è verificato

un surriscaldamento della batteria. In questa situazione occorre far raffreddare la batteria prima di azionare nuovamente l'interruttore di accensione.

- **Bassa tensione della batteria:**
La capacità residua della batteria è troppo bassa e non consente di utilizzare l'utensile. In questo caso occorre rimuovere e ricaricare la batteria.

Azionamento dell'interruttore (Fig. 3)

ATTENZIONE:

- Prima di inserire la batteria nell'utensile, controllare se l'interruttore funziona correttamente e ritorna alla posizione "SPENTO" una volta rilasciato.

La sicura consente di evitare di azionare involontariamente l'interruttore di accensione.

Per accendere l'utensile premere la sicura dal lato B e

azionare l'interruttore di accensione.

Per spegnere l'utensile, rilasciare l'interruttore di accensione. Dopo l'uso, premere sempre la sicura dal lato A.

Manopola di regolazione della velocità (Fig. 4)

La velocità dell'utensile può essere regolata infinitamente da 1,4 m/sec. a 2,7 m/sec. girando la ghiera di regolazione. La velocità più alta si ottiene girando la ghiera nella direzione del numero 6; la velocità più bassa si ottiene girando la ghiera nella direzione del numero 1. Selezionare la velocità corretta per il pezzo da tagliare.

ATTENZIONE:

- La ghiera di regolazione della velocità può essere girata soltanto fino a 6 o indietro fino a 1. Non forzarla oltre il 6 o l'1, perché altrimenti potrebbe non funzionare più correttamente.

Accensione della lampada (Fig. 5)

ATTENZIONE:

- Evitare colpi alla lampada, perché si potrebbe danneggiarla o ridurre la sua vita di servizio.

Per accendere la lampada, azionare l'interruttore. La lampada rimane accesa fino a quando si tiene premuto l'interruttore. La lampada si spegne automaticamente 10-15 secondi dopo aver rilasciato l'interruttore.

NOTA:

- Utilizzare un panno asciutto per pulire la lente della lampada. Fare attenzione a non graffiare la lente della lampada per evitare riduzioni dell'intensità luminosa.
- Non usare diluenti o benzina per pulire la lampada. Tali solventi possono danneggiarla.
- In caso di sovraccarico dell'utensile durante il funzionamento, la lampada lampeggia.
- Se la capacità rimanente della batteria è limitata, la lampada lampeggia.

MONTAGGIO

ATTENZIONE:

- Prima di eseguire qualsiasi operazione sull'utensile, verificare sempre di averlo spento e di aver rimosso la batteria.

Installazione o rimozione della lama

ATTENZIONE:

- L'olio sulla lama potrebbe farla slittare o staccare inaspettatamente. Togliere l'eccesso d'olio con un panno prima di installare la lama.
- Fare attenzione maneggiando la lama, per evitare di tagliarsi con il bordo affilato dei denti.

Girare la leva di tensione lama in senso orario finché tocca la sporgenza sul telaio. (Fig. 6)

Allineare la freccia sulla lama con la freccia sui dischi. (Fig. 7)

Inserire la lama prima tra i cuscinetti del supporto superiore e poi nel supporto inferiore. La parte posteriore della lama dovrebbe entrare in contatto con i cuscinetti nella parte bassa del supporto superiore e del supporto inferiore.

Posizionare la lama intorno ai dischi e inserire l'altro lato della lama entro il supporto superiore e inferiore finché la parte posteriore della lama entra in contatto con la parte inferiore del supporto superiore e inferiore. (Fig. 8 e 9)

Inserire la lama nella scanalatura della guida della lama. Tenere la lama in posizione e girare la leva di tensione lama in senso antiorario finché tocca la sporgenza sul telaio. In questo modo viene applicata la tensione corretta sulla lama. Accertarsi che la lama sia posizionata correttamente entro la protezione lama e intorno ai dischi. Avviare e fermare l'utensile due o tre volte per accertarsi che la lama scorra correttamente sui dischi.

ATTENZIONE:

- Quando si controlla che la lama scorra correttamente sui dischi, tenere il corpo discosto dall'area della lama. Per rimuovere la lama, attenersi alla procedura di installazione procedendo in senso inverso.

ATTENZIONE:

- Quando si gira la leva di tensione lama in senso orario per rilasciare la tensione della lama, rivolgere in basso l'utensile perché la lama potrebbe staccarsi inaspettatamente.

Regolazione della sporgenza della piastra di fermo (Fig. 10)

Per l'utilizzo normale, far sporgere completamente la piastra di fermo sul lato A.

Se alla fine di un taglio la piastra di fermo urta contro ostacoli quali una parete, ecc., allentare due viti e spingerla sul lato B nella figura.

Dopo aver spinto la piastra di fermo, fissarla stringendo saldamente le due viti.

FUNZIONAMENTO

È importante mantenere almeno due denti nel taglio. (Fig. 11)

Selezionare la posizione di taglio corretta per il pezzo riferendosi alla figura. (Fig. 12)

Tenere l'utensile con entrambe le mani, come mostrato in figura, con la piastra di fermo che fa contatto con il pezzo e la lama staccata dal pezzo. (Fig. 13)

Accendere l'utensile e attendere che la lama raggiunga la massima velocità. Abbassare delicatamente la lama nel taglio. Il peso dell'utensile o una pressione leggera su di

esso forniscono la pressione adeguata per il taglio. Non forzare l'utensile.
Alla fine del taglio, rilasciare la pressione e, senza alzare l'utensile, sollevarlo leggermente in modo che non cada contro il pezzo.

ATTENZIONE:

- Se si esercita una pressione eccessiva sull'utensile o si torce la lama, si potrebbe fare un taglio sbieco o danneggiare la lama.
- Rimuovere la lama se non si intende usare l'utensile per un lungo periodo di tempo.
- Se si utilizza continuamente l'utensile fino al completo scaricamento della batteria, attendere 15 minuti prima di continuare a utilizzarlo con una nuova batteria.

Lubrificante per il taglio

Per il taglio dei metalli, usare la cera da taglio Makita come lubrificante per il taglio. Per applicare la cera da taglio ai denti della lama, avviare l'utensile e fare un taglio nella cera da taglio, come mostrato nella figura, dopo aver rimosso un tappo della cera da taglio. (Fig. 14)

ATTENZIONE:

- Non utilizzare mai olio da taglio o applicare una quantità eccessiva di cera alla lama. La lama potrebbe slittare o staccarsi inaspettatamente.
- Non usare la cera da taglio per tagliare il ferro.

MANUTENZIONE

ATTENZIONE:

- Prima di effettuare controlli o operazioni di manutenzione, verificare sempre di aver spento l'utensile e di aver rimosso la batteria.
- Evitare assolutamente di usare benzina, diluenti, solventi, alcol o sostanze simili. In caso contrario, potrebbero verificarsi scoloriture, deformazioni o incrinature.

Pulizia

Dopo l'uso, rimuovere la cera, i trucioli e la polvere dall'utensile, dai pneumatici dei dischi e dalla lama.

ATTENZIONE:

- Per pulire le parti di plastica, non usare mai solventi come trementina, benzina, lacca, ecc.
- La lama potrebbe slittare o staccarsi inaspettatamente se si lasciano la cera e i trucioli sugli pneumatici dei dischi. Usare un panno asciutto per togliere la cera e i trucioli dagli pneumatici.

Sostituzione degli pneumatici dei dischi (Fig. 15)

Gli pneumatici devono essere sostituiti se la lama slitta o non scorre normalmente a causa dell'usura degli pneumatici, o se il labbro degli pneumatici sul lato del motore è danneggiato.

Sostituzione delle spazzole di carbone (Fig. 16)

Rimuovere e controllare periodicamente le spazzole di carbone. Sostituire le spazzole quando sono consumate fino all'indicatore di limite. Mantenere le spazzole di

carbone pulite e libere di scorrere nei supporti. Entrambe le spazzole di carbone devono essere sostituite contemporaneamente. Utilizzare solo spazzole di carbone dello stesso tipo.

Rimuovere i coperchi dei portaspazzola con un cacciavite. Estrarre le spazzole di carbone consumate, inserire le nuove spazzole e fissare i coperchi dei portaspazzola.

(Fig. 17)

Per mantenere la SICUREZZA e l'AFFIDABILITÀ del prodotto, le riparazioni e qualsiasi altra operazione di manutenzione o regolazione devono essere eseguite dai centri di assistenza autorizzati Makita utilizzando sempre parti di ricambio Makita.

ACCESSORI OPZIONALI

⚠ ATTENZIONE:

- Si consiglia l'uso dei seguenti accessori per l'utensile Makita descritto in questo manuale. L'uso di qualsiasi altro accessorio potrebbe provocare lesioni personali. Utilizzare gli accessori esclusivamente per l'uso dichiarato.

Per l'assistenza e per ulteriori informazioni su tali accessori, rivolgersi al centro assistenza Makita di zona.

- Lame per sega a nastro
- Chiave esagonale da 4
- Cera da taglio
- Batteria e caricabatteria originali Makita

NOTA:

- Alcuni degli accessori elencati potrebbero essere inclusi nella confezione dell'utensile come accessori standard. Gli accessori standard possono differire da paese a paese.

Rumore

ENG905-1

Il tipico livello di rumore ponderato "A" è determinato in conformità con la norma EN60745:

Livello di pressione sonora (L_{pA}): 81 dB (A)

Livello di potenza sonora (L_{WA}): 92 dB (A)

Variazione (K): 3 dB (A)

Indossare una protezione acustica.

Vibrazione

ENG900-1

Il valore totale delle vibrazioni (somma vettoriale triassiale) è determinato in conformità con la norma EN60745:

Modalità di lavoro: taglio di metalli

Emissione di vibrazioni ($a_{h,CM}$): 2,5 m/s² o inferiore

Variazione (K): 1,5 m/s²

ENG901-1

- Il valore di emissione delle vibrazioni dichiarato è stato misurato in conformità con il metodo di test standard e può essere utilizzato per confrontare tra loro diversi utensili.
- Il valore dell'emissione delle vibrazioni dichiarato può anche essere usato per stime preliminari dell'esposizione.

⚠ AVVERTENZA:

- L'emissione delle vibrazioni durante l'uso effettivo dell'utensile elettrico può risultare diversa rispetto al valore dichiarato, in base alla modalità d'uso dell'utensile.
- Assicurarsi di individuare le necessarie misure di sicurezza per proteggere l'operatore in base a una

stima dell'esposizione nelle condizioni reali di utilizzo (prendendo in considerazione tutte le fasi del ciclo operativo, come quante volte l'utensile viene spento e i periodi in cui rimane inattivo, oltre al tempo di avviamento).

Solo per i paesi europei

ENH101-16

Dichiarazione di conformità CE

Makita Corporation, in qualità di produttore responsabile, dichiara che le macchine Makita indicate di seguito:

Denominazione della macchina:

Sega a nastro portatile a batteria

N. modello/Tipo: DPB180

appartengono a una produzione in serie e

sono conformi alle seguenti direttive europee:

2006/42/EC

Sono inoltre prodotte in conformità con gli standard o i documenti standardizzati riportati di seguito:

EN60745

La documentazione tecnica viene conservata da:

Makita International Europe Ltd.

Technical Department,

Michigan Drive, Tongwell,

Milton Keynes, Bucks MK15 8JD, Inghilterra

30. 1. 2009



Tomoyasu Kato

Direttore

Makita Corporation

3-11-8, Sumiyoshi-cho,

Anjo, Aichi, 446-8502, JAPAN

NEDERLANDS (Originele instructies)

Verklaring van het onderdelenoverzicht

1. Accu	11. Uitsteeksel	21. Schroef
2. Knop	12. Hendel	22. Aanslagplaat
3. Rode deel	13. Zaagband	23. Snijwas
4. Ster-merkteken	14. Lager	24. Schijfband
5. Uit-vergrendelknop	15. Bovenste houder	25. Lip
6. Aan/uit-schakelaar	16. Onderste houder	26. Slijtgrensmarkering
7. Snelheidsregelaar	17. Schijf	27. Schroevendraaier
8. Lamp	18. Drukken	28. Koolborsteldop
9. Opspannen	19. Zaagbandgeleider	
10. Ontspannen	20. Groef	

TECHNISCHE GEGEVENS

Model		DPB180
Max. zaagdikte	Rond werkstuk	diameter 120 mm
	Rechthoekig werkstuk	120 mm x 120 mm
Zaagbandsnelheid		1,4 - 2,7 m/s
Afmetingen zaagband	Lengte	1.140 mm
	Breedte	13 mm
	Dikte	0,5 mm
Afmetingen gereedschap (L x B x H)		523 mm x 231 mm x 313 mm
Netto gewicht		6,5 kg
Nominale spanning		18 V gelijkstroom

- Als gevolg van ons doorlopende onderzoeks- en ontwikkelingsprogramma, zijn de technische gegevens van dit gereedschap onderhevig aan veranderingen zonder voorafgaande kennisgeving.
- Specificaties en accu's kunnen van land tot land verschillen.
- Gewicht, inclusief de accu, volgens de EPTA-procedure 01/2003

Gebruiksdoeleinden

ENE009-1

Dit gereedschap is bedoeld voor het zagen van hout, kunststof en ferro-materialen.

Algemene veiligheidswaarschuwingen voor elektrisch gereedschap

GEA010-1

⚠ WAARSCHUWING Lees alle veiligheidswaarschuwingen en alle instructies. Het niet volgen van de waarschuwingen en instructies kan leiden tot elektrische schokken, brand en/of ernstig letsel.

Bewaar alle waarschuwingen en instructies om in de toekomst te kunnen raadplegen.

VEILIGHEIDSWAARSCHUWINGEN SPECIFIEK VOOR EEN DRAAGBARE ACCUBANDZAAG

GEB065-2

1. Houd het elektrisch gereedschap vast aan het geïsoleerde oppervlak van de handgrepen wanneer u werkt op plaatsen waar het accessoire met verborgen bedrading in aanraking kan komen. Wanneer het zaagaccessoire in aanraking komt met
2. onder spanning staande draden, zullen de niet-geïsoleerde metalen delen van het gereedschap onder spanning komen te staan zodat de gebruiker een elektrische schok kan krijgen.
2. Gebruik uitsluitend zaagbanden die worden vermeld onder "TECHNISCHE GEGEVENS".
3. Controleer vóór het gebruik de zaagband zorgvuldig op barsten of beschadiging. Vervang een gebarsten of beschadigde zaagband meteen.
4. Klem het werkstuk stevig vast. Als u een bundel losse werkstukken zaagt, zorgt u ervoor dat alle werkstukken stevig samengebonden zijn voordat u begint te zagen.
5. Als u een werkstuk zaagt waarop olie zit, kan de zaagband onverwachts eraf lopen. Veeg alle olie van het werkstuk af voordat u het zaagt.
6. Gebruik nooit snijolie als smeermiddel. Gebruik uitsluitend snijwas van Makita.
7. Draag geen handschoenen tijdens het gebruik.
8. Houd het gereedschap met beide handen stevig vast.
9. Houd uw handen uit de buurt van draaiende delen.
10. Let bij het zagen van metaal op rondvliegende hete metaaldeeltjes.
11. Laat het gereedschap niet ingeschakeld achter.
12. Raak de zaagband en het werkstuk niet onmiddellijk na gebruik aan. Zij kunnen bijzonder heet zijn en brandwonden op uw huid veroorzaken.

BEWAAR DEZE INSTRUCTIES.

WAARSCHUWING:

Laat u NIET misleiden door een vals gevoel van comfort en bekendheid met het gereedschap (na veelvuldig gebruik) en neem alle veiligheidsvoorschriften van het betreffende product altijd strikt in acht. VERKEERD GEBRUIK of het niet volgen van de veiligheidsinstructies in deze gebruiksaanwijzing kan leiden tot ernstig persoonlijk letsel.

BELANGRIJKE VEILIGHEIDSinSTRUCTIES ENC007-9

VOOR ACCU'S

1. Alvorens de accu in gebruik te nemen, leest u eerst alle instructies en waarschuwingsofschriften op (1) de acculader, (2) de accu en (3) het apparaat waarin de accu wordt aangebracht.
2. Haal de accu niet uit elkaar.
3. Als de gebruikstijd aanzienlijk korter is geworden, stopt u onmiddellijk met het gebruik. Anders kan dit leiden tot kans op oververhitting, mogelijke brandwonden en zelfs een explosie.
4. Als de elektrolyt in uw ogen komt, wast u deze uit met schoon water en raadpleegt u onmiddellijk een arts. Dit kan leiden tot verlies van gezichtsvermogen.
5. Sluit de accu niet kort:
 - (1) Raak de accupolen niet aan met enig geleidend materiaal.
 - (2) Bewaar de accu niet op een plaats waar deze in aanraking kan komen met andere metalen voorwerpen, zoals spijkers, munten, enz.
 - (3) Stel de accu niet bloot aan water of regen. Kortsluiting van de accu kan leiden tot een hoge stroomsterkte, oververhitting, mogelijke brandwonden en zelfs een defect.
6. Bewaar het gereedschap en de accu niet op plaatsen waar de temperatuur kan oplopen tot 50 °C of hoger.
7. Werp de accu niet in een vuur, zelfs niet als deze al ernstig beschadigd of helemaal versleten is. De accu kan in een vuur exploderen.
8. Wees voorzichtig dat u de accu niet laat vallen of ergens tegenaan stoot.
9. Gebruik nooit een beschadigde accu.
10. Neem de plaatselijke regelgeving met betrekking tot het weggoien van de accu in acht.

BEWAAR DEZE INSTRUCTIES.

Tips voor een lange levensduur van de accu

1. Laad de accu op voordat deze volledig leeg is. Wanneer u merkt dat het gereedschap minder vermogen heeft, stopt u met het gebruik ervan en laadt u eerst de accu op.

2. Laad nooit een volledig opgeladen accu op. Te lang opladen verkort de levensduur van de accu.
3. Laad de accu op bij een omgevingstemperatuur van 10 °C tot 40 °C. Laad een warme accu eerst afkoelen voordat u deze oplaadt.
4. Als de accu gedurende een lange tijd (meer dan zes maanden) niet gebruikt, laadt u deze eerst op alvorens deze te gebruiken.

BESCHRIJVING VAN DE FUNCTIES

LET OP:

- Controleer altijd of het gereedschap is uitgeschakeld en de accu is verwijderd alvorens de functies van het gereedschap te controleren of af te stellen.

De accu aanbrengen en verwijderen (zie afb. 1)

LET OP:

- Schakel het gereedschap altijd uit voordat u de accu aanbrengt of verwijdert.
- Houd het gereedschap en de accu stevig vast tijdens het aanbrengen of verwijderen van de accu. Als u het gereedschap en de accu niet stevig vasthoudt, kunnen deze uit uw handen glippen en beschadigd raken, of kan persoonlijk letsel worden veroorzaakt.

Om de accu te verwijderen verschuift u de knop aan de voorkant van de accu en schuift u tegelijkertijd de accu eraf.

Om de accu aan te brengen, lijnt u de lip op de accu uit met de groef in de behuizing en duwt u de accu op zijn plaats. Steek de accu zo ver mogelijk erin tot u een klikgeluid hoort. Als u het rode deel aan de bovenkant van de knop kunt zien, is de accu niet goed aangebracht.

LET OP:

- Breng de accu altijd helemaal aan totdat het rode deel niet meer zichtbaar is. Als u dit niet doet, kan de accu per ongeluk uit het gereedschap vallen en u of anderen in uw omgeving verwonden.
- Breng de accu niet met kracht aan. Als de accu niet gemakkelijk erin kan worden geschoven, wordt deze niet goed aangebracht.

Accubeveiligingssysteem (lithiumionaccu met een ster-merkteken) (zie afb. 2)

Lithiumionaccu's met een ster-merkteken zijn uitgerust met een beveiligingssysteem. Dit systeem schakelt automatisch de voeding naar het gereedschap uit om de levensduur van de accu te verlengen. Het gereedschap zal tijdens gebruik automatisch stoppen wanneer het gereedschap en/of de accu zich in een van de volgende omstandigheden bevinden:

- Overbelasting:

Het gereedschap wordt gebruikt op een manier die ertoe leidt dat een abnormaal hoge stroomsterkte uit de accu wordt getrokken.

Laat in die situatie de aan/uit-schakelaar van het gereedschap los en stop het gebruik dat ertoe leidde dat het gereedschap overbelast werd. Knijp daarna opnieuw de aan/uit-schakelaar in om het

gereedschap weer in te schakelen.

Als het gereedschap niet wordt ingeschakeld, is de accu oververhit. In die situatie laat u de accu eerst afkoelen voordat u opnieuw de aan/uit-schakelaar inknijpt.

- Lage accuspanning:
De resterende acculading is te laag en het gereedschap wordt niet ingeschakeld. Verwijder in die situatie de accu en laad hem op.

In- en uitschakelen (zie afb. 3)

LET OP:

- Controleer altijd, voordat u de accu in het gereedschap steekt, of de aan/uit-schakelaar op de juiste manier schakelt en weer terugkeert naar de uit-stand nadat deze is losgelaten.

Om te voorkomen dat de aan/uit-schakelaar per ongeluk wordt bediend, is de uit-vergrendelknop aangebracht.

Om het gereedschap te starten, drukt u vanaf de B-kant op de uit-vergrendelknop in en knijpt u de aan/uit-schakelaar in.

Laat de aan/uit-schakelaar los om het gereedschap te stoppen. Na gebruik, vergeet u niet vanaf de A-kant op de uit-vergrendelknop te drukken.

Snelheidsregelaar (zie afb. 4)

Het snelheid van het gereedschap kan traploos worden ingesteld tussen 1,4 m/s en 2,7 m/s met behulp van de snelheidsregelaar. Als u de snelheidsregelaar in de richting van stand 6 draait, wordt de snelheid van het gereedschap hoger. Als u in de richting van stand 1 draait, wordt de snelheid lager.

Kies de juiste snelheid om het werkstuk mee te zagen.

LET OP:

- De snelheidsregelaar kan slechts tot stand 6 worden gedraaid en teruggedraaid tot stand 1. Probeer niet voorbij stand 1 of 6 te draaien omdat hierdoor mogelijk de snelheidsregeling niet meer werkt.

De lamp inschakelen (zie afb. 5)

LET OP:

- Stoot niet tegen de lamp omdat deze hierdoor kan worden beschadigd of de levensduur kan worden verkort.

Knijp de aan/uit-schakelaar in om de lamp op de voorkant in te schakelen. De lamp blijft branden zolang u de aan/uit-schakelaar ingeknepen houdt. De lamp gaat 10 tot 15 seconden nadat u de aan/uit-schakelaar hebt losgelaten uit.

OPMERKING:

- Gebruik een doek om het vuil van de lens van de lamp te vegen. Wees voorzichtig de lens van de lamp niet te bekrassen om de lichtopbrengst niet te verlagen.
- Maak de lens van de lamp niet schoon met verdunner of benzine. Dergelijke oplosmiddelen kunnen de lens van de lamp beschadigen.
- Als tijdens gebruik het gereedschap overbelast wordt, begint de lamp te knippen.
- Als de resterende acculading gering wordt, begint de lamp te knippen.

ONDERDELEN AANBRENGEN/ VERWIJDEREN

LET OP:

- Controleer altijd of het gereedschap is uitgeschakeld en de accu is verwijderd alvorens enige werkzaamheden aan het gereedschap te verrichten.

De zaagband aanbrengen en verwijderen

LET OP:

- Door olie op de zaagband kan deze slippen of onverwachts eraf lopen. Veeg alle olie met een doek van het werkstuk af voordat u de zaagband aanbrengt.
- Wees voorzichtig wanneer u de zaagband hanteert zodat u zich niet snijdt aan de scherpe rand van de zaagtanden.

Draai de zaagband-spanhendel rechtsom tot deze tegen het uitsteeksel op het gereedschapshuis komt (zie afb. 6). Zorg ervoor dat de pijl op de zaagband in dezelfde richting wijst als de pijl op de schijven (zie afb. 7).

Plaats de zaagband eerst tussen de lagers van de bovenste houder en daarna in de onderste houder. De rug van de zaagband moet de lagers raken in het onderste deel van de bovenste houder en onderste houder.

Leg de zaagband rond de schijven en plaats de andere kant van de zaagband in de bovenste en onderste houders totdat de rug van de zaagband tegen de onderkant van de bovenste en onderste houders komt (zie afb. 8 en 9).

Leg de zaagband in de groef van de zaagbandgeleider. Houd de zaagband op zijn plaats en draai de spanhendel linksom tot deze tegen het uitsteeksel op het gereedschapshuis komt. Hierdoor komt de zaagband onder de juiste spanning te staan. Zorg ervoor dat het zaagblad op de juiste plaats binnen de beschermkap en rond de schijven ligt.

Start en stop het gereedschap twee of drie keer om er zeker van te zijn dat de zaagband goed over de schijven loopt.

LET OP:

- Let er tijdens het controleren of de zaagband goed over de schijven loopt, de blootliggende zaagband afgekeerd van uw lichaam.

Om de zaagband te verwijderen, volgt u de procedure in omgekeerde volgorde.

LET OP:

- Als u de zaagband-spanhendel rechtsom draait om de zaagband te ontspannen, houdt u het gereedschap omlaag gericht omdat de zaagband onverwachts eraf kan lopen.

De aanslagplaat afstellen (zie afb. 10)

Voor normaal gebruik dient de aanslagplaat zo ver mogelijk in de richting van A in de afbeelding te staan. Als de aanslagplaat tegen een obstakel, zoals een muur of iets dergelijks, aankomt bij het eindigen van een zaagsnede, draait u de twee schroeven los en schuift u de aanslagplaat in de richting van B in de afbeelding. Nadat u de aanslagplaat hebt verschoven, zet u deze vast door de twee schroeven stevig aan te draaien.

BEDIENING

Het is belangrijk dat minstens twee zaagtanden in de zaagsnede blijven staan (**zie afb. 11**).

Kijk naar de afbeelding en kies de juiste zaagpositie voor het werkstuk (**zie afb. 12**).

Houd het gereedschap met beide handen vast, zoals aangegeven in de afbeelding, met de aanslagplaat in contact met het werkstuk en de zaagband vrij van het werkstuk (**zie afb. 13**).

Schakel het gereedschap in en wacht totdat de zaagband op volle snelheid draait. Laat de zaagband langzaam zakken in de zaagsnede. Door het gewicht van het gereedschap of door licht op het gereedschap te duwen is er voldoende druk voor het zagen. Duw niet te hard op het gereedschap.

Wanneer u het einde van de zaagsnede bereikt, stopt u met duwen en zonder het gereedschap daadwerkelijk omhoog te trekken, tilt u het iets op zodat het gereedschap niet op het werkstuk valt.

LET OP:

- Als u een buitensporig grote druk uitoefent op het gereedschap of de zaagband verbuigt, kan een schuine zaagsnede ontstaan of de zaagband beschadigd worden.
- Als u het gereedschap gedurende een lang tijd niet denkt te gaan gebruiken, verwijdert u de zaagband van het gereedschap.
- Als het gereedschap continu wordt bediend totdat de accu leeg is, laat u het gereedschap gedurende 15 minuten liggen alvorens verder te werken met een volle accu.

Smeermiddel

Gebruik tijdens het zagen van metaal snijwas van Makita als smeermiddel. Breng de snijwas op de zaagband aan door het gereedschap te starten en in de snijwas te zagen, zoals aangegeven in de afbeelding, nadat u de dop van de snijwas hebt afgehaald (**zie afb. 14**).

LET OP:

- Gebruik nooit snijolie en breng geen overdadige hoeveelheid snijwas aan op de zaagband. Hierdoor kan de zaagband slijpen of onverwachts eraf lopen.
- Bij het zagen van gietijzer, mag u geen snijwas gebruiken.

ONDERHOUD

LET OP:

- Zorg er altijd voor dat de machine is uitgeschakeld en de accu is verwijderd, voordat u een inspectie of onderhoud uitvoert.
- Gebruik nooit benzine, wasbenzine, thinner, alcohol, enz. Dit kan leiden tot verkleuren, vervormen of barsten.

Schoonmaken

Verwijder na gebruik snijwas, metaaldeeltjes en stof vanaf het gereedschap de schijfbanden en de zaagband.

LET OP:

- Gebruik nooit oplosmiddelen, zoals terpentijn, benzine, lak, enz., om de kunststofdelen schoon te maken.

- Snijwas en metaaldeeltjes op de schijfbanden kunnen de zaagband doen slijpen en onverwachts eraf doen lopen. Gebruik een droge doek om de snijwas en metaaldeeltjes van de schijfbanden af te vegen.

De banden van de schijven vervangen (zie afb. 15)

Als de zaagband slijpt of niet goed aangrijpt vanwege ernstig versleten schijfbanden, of omdat de lip van de schijfband aan de motorzijde beschadigd is, moeten de schijfbanden worden vervangen.

De koolborstels vervangen (zie afb. 16)

Verwijder en controleer de koolborstels regelmatig. Vervang deze wanneer ze tot aan de slijtgrensmarkering zijn afgesleten. Houd de koolborstels schoon en zorg ervoor dat ze vrij kunnen bewegen in de houders. Beide koolborstels dienen tegelijkertijd te worden vervangen. Gebruik alleen identieke koolborstels.

Gebruik een schroevendraaier om de koolborsteldoppen te verwijderen. Haal de versleten koolborstels eruit, plaats de nieuwe erin, en zet de koolborsteldoppen goed vast (**zie afb. 17**).

Om de VEILIGHEID en BETROUWBAARHEID van het gereedschap te handhaven, dienen alle reparaties, onderhoud en afstellingen te worden uitgevoerd door een erkend Makita-servicecentrum, en altijd met gebruikmaking van originele Makita-ervangingsonderdelen.

VERKRIJGBARE ACCESSOIRES

⚠ LET OP:

- Deze accessoires of hulpstukken worden aanbevolen voor gebruik met het Makita-gereedschap dat in deze gebruiksaanwijzing wordt beschreven. Het gebruik van andere accessoires of hulpstukken kan gevaar voor persoonlijk letsel opleveren. Gebruik de accessoires of hulpstukken uitsluitend voor de aangegeven gebruiksdoeleinden.

Mocht u meer informatie willen hebben over deze accessoires, dan kunt u contact opnemen met uw plaatselijke Makita-servicecentrum.

- Zaagbanden
- Inbussleutel 4
- Snijwas
- Originele Makita-accu en -lader

OPMERKING:

- Sommige items op de lijst kunnen zijn inbegrepen in de doos van het gereedschap als standaard toebehoren. Zij kunnen van land tot land verschillen.

Geluid

ENG905-1

De typische, A-gewogen geluidsniveaus zijn gemeten volgens EN60745:

Geluidsdruk niveau (L_{pA}): 81 dB (A)

Geluidsvermogen niveau (L_{WA}): 92 dB (A)

Onzekerheid (K): 3 dB (A)

Draag gehoorbescherming.

Trillingen

ENG900-1

De totale trillingswaarde (triaxiale vectorsom) zoals vastgesteld volgens EN60745:

Gebruikstoepassing: zagen van metaal

Trillingsemissie ($a_{h,CM}$): 2,5 m/s² of minder

Onzekerheid (K): 1,5 m/s²

ENG901-1

- De opgegeven trillingsemissiewaarde is gemeten volgens de standaardtestmethode en kan worden gebruikt om dit gereedschap te vergelijken met andere gereedschappen.
- De opgegeven trillingsemissiewaarde kan ook worden gebruikt voor een beoordeling vooraf van de blootstelling.



WAARSCHUWING:

- De trillingsemissie tijdens het gebruik van het elektrisch gereedschap in de praktijk kan verschillen van de opgegeven trillingsemissiewaarde afhankelijk van de manier waarop het gereedschap wordt gebruikt.
- Zorg ervoor dat veiligheidsmaatregelen worden getroffen ter bescherming van de operator die zijn gebaseerd op een schatting van de blootstelling onder praktijkomstandigheden (rekening houdend met alle fasen van de bedrijfscyclus, zoals de tijdsduur gedurende welke het gereedschap is uitgeschakeld en stationair draait, naast de ingeschakelde tijdsduur).

Alleen voor Europese landen

ENH101-16

EU-verklaring van conformiteit

Wij, Makita Corporation, als de verantwoordelijke fabrikant, verklaren dat de volgende Makita-machine(s):

Aanduiding van de machine:

Draagbare accubandzaag

Modelnr./Type: DPB180

in serie is geproduceerd en

Voldoet aan de volgende Europese richtlijnen:

2006/42/EG

En is gefabriceerd in overeenstemming met de volgende normen of genormaliseerde documenten:

EN60745

De technische documentatie wordt bewaard door:

Makita International Europe Ltd.

Technical Department,

Michigan Drive, Tongwell,

Milton Keynes, Bucks MK15 8JD, Engeland

30. 1. 2009

Tomoyasu Kato

Directeur

Makita Corporation

3-11-8, Sumiyoshi-cho,

Anjo, Aichi, 446-8502, JAPAN

ESPAÑOL (Instrucciones originales)

Explicación de los dibujos

- | | | |
|--------------------------------|----------------------|------------------------------|
| 1. Cartucho de la batería | 11. Saliente | 21. Tornillo |
| 2. Botón | 12. Palanca | 22. Placa de retención |
| 3. Indicador rojo | 13. Hoja | 23. Cera de corte |
| 4. Marca de estrella | 14. Cojinete | 24. Neumático |
| 5. Botón de desbloqueo | 15. Soporte superior | 25. Reborde |
| 6. Interruptor disparador | 16. Soporte inferior | 26. Marca de límite |
| 7. Dial de ajuste de velocidad | 17. Disco | 27. Destornillador |
| 8. Lámpara | 18. Presione | 28. Tapa del portaescobillas |
| 9. Apretar | 19. Guía de la hoja | |
| 10. Aflojar | 20. Ranura | |

ESPECIFICACIONES

Modelo		DPB180
Capacidad máxima de corte	Pieza redonda	120 mm diámetro
	Pieza de trabajo rectangular	120 mm x 120 mm
Velocidad de la banda		1,4 - 2,7 m/s
Tamaño de la banda	Longitud	1.140 mm
	Anchura	13 mm
	Grosor	0,5 mm
Dimensiones (Largo x Ancho x Alto)		523 mm x 231 mm x 313 mm
Peso neto		6,5 kg
Tensión nominal		CC de 18 V

- Debido a nuestro programa continuo de investigación y desarrollo, las especificaciones aquí descritas están sujetas a cambios sin previo aviso.
- Las especificaciones y el cartucho de la batería pueden variar de un país a otro.
- Peso, con el cartucho de la batería, de acuerdo con el procedimiento EPTA 01/2003

Uso previsto

Esta herramienta está diseñada para cortar madera, plástico y materiales ferrosos.

ENE009-1

también de corriente y que el operario reciba una descarga.

Advertencias de seguridad generales para herramientas eléctricas

GEA010-1

⚠ ADVERTENCIA Lea todas las advertencias de seguridad y todas las instrucciones. La no observancia de las advertencias y las instrucciones puede provocar descargas eléctricas, incendios y/o lesiones graves.

Guarde todas las advertencias e instrucciones para futuras consultas.

ADVERTENCIAS DE SEGURIDAD DE LA SIERRA DE BANDA PORTÁTIL INALÁMBRICA

GEB065-2

1. Sujete la herramienta por las superficies de agarre aisladas al realizar una operación en que el accesorio de corte pueda entrar en contacto con cables ocultos. Si entra en contacto con un cable con corriente, puede que las piezas metálicas expuestas de la herramienta eléctrica se carguen
2. Utilice únicamente las bandas enumeradas en el apartado "ESPECIFICACIONES".
3. Antes de su uso, compruebe que la banda no esté agrietada ni dañada. Una banda agrietada o dañada debe sustituirse de inmediato.
4. Fije firmemente la pieza de trabajo. Cuando corte varias piezas a la vez, asegúrese de que estén perfectamente sujetas unas a otras antes de empezar a cortar.
5. Si corta piezas de trabajo recubiertas de aceite, la banda podría desprenderse inesperadamente. Antes de cortar, quite cualquier exceso de aceite de las piezas.
6. No utilice nunca el aceite de corte como lubricante. Utilice únicamente la cera de corte de Makita.
7. No se ponga guantes cuando utilice la herramienta.
8. Sujete firmemente la herramienta con ambas manos.
9. Mantenga las manos alejadas de las partes giratorias.
10. Al cortar metal, tenga cuidado con las virutas de metal calientes que puedan salir despedidas.
11. No deje la herramienta encendida sin vigilancia.
12. No toque la banda ni la pieza de trabajo inmediatamente después de realizar un corte, ya

que pueden estar extremadamente calientes y producir quemaduras en la piel.

GUARDE ESTAS INSTRUCCIONES.

ADVERTENCIA:

NO deje que la comodidad o la familiaridad con el producto (a base de utilizarlo repetidamente) sustituyan la estricta observancia de las normas de seguridad del producto en cuestión. El MAL USO o la no observancia de las normas de seguridad expuestas en este manual de instrucciones pueden ocasionar graves daños corporales.

INSTRUCCIONES DE SEGURIDAD IMPORTANTES

ENC007-9

PARA EL CARTUCHO DE LA BATERÍA

1. Antes de utilizar el cartucho de la batería, lea todas las instrucciones y referencias de precaución que se encuentran en (1) el cargador de baterías, (2) la batería y (3) el producto que utiliza la batería.
2. No desmonte el cartucho de la batería.
3. Si el tiempo de funcionamiento es excesivamente corto, deje de utilizar la herramienta de inmediato. De lo contrario, existe el riesgo de sobrecalentamiento, quemaduras e incluso explosión.
4. Si se produce contacto ocular con electrolito, enjuáguese los ojos con agua limpia y acuda de urgencia al médico. Corre el riesgo de perder la visión.
5. No cortocircuite el cartucho de la batería:
 - (1) No toque los terminales con material conductor.
 - (2) Evite guardar el cartucho de la batería en un recipiente con otros objetos metálicos, como clavos, monedas, etc.
 - (3) No exponga el cartucho de la batería al agua o a la lluvia.

Un cortocircuito puede provocar un elevado flujo de corriente, sobrecalentamiento, quemaduras o incluso una avería.

6. No almacene la herramienta ni el cartucho de la batería en lugares donde la temperatura supere los 50 °C (122 °F).
7. No queme el cartucho de la batería aunque esté gravemente dañado o completamente gastado. El cartucho de la batería puede explotar si entra en contacto con fuego.
8. Procure que la batería no sufra golpes ni caídas.
9. No utilice una batería dañada.
10. Siga las normativas locales relativas al desecho de la batería.

GUARDE ESTAS INSTRUCCIONES.

Consejos para conseguir una mayor duración de la batería

1. Cargue la batería antes de que se descargue por completo.
Cuando observe que la herramienta tiene menos potencia, deje de utilizarla y cargue el cartucho de la batería.
2. No recargue nunca un cartucho de batería completamente cargado.
La sobrecarga acorta la vida útil de la batería.
3. Cargue el cartucho de la batería a una temperatura ambiente que oscile entre 10 °C y 40 °C (50 °F - 104 °F). Antes de cargar un cartucho de batería caliente, deje que se enfríe.
4. Cargue el cartucho de la batería si no lo ha utilizado durante un período prolongado (más de seis meses).

DESCRIPCIÓN DEL FUNCIONAMIENTO

PRECAUCIÓN:

- Asegúrese siempre de apagar la herramienta y extraer el cartucho de la batería antes de intentar realizar cualquier tipo de ajuste o comprobación en ella.

Instalación o extracción del cartucho de la batería (Fig. 1)

PRECAUCIÓN:

- Apague siempre la herramienta antes de instalar o extraer el cartucho de la batería.
- Sujete la herramienta y el cartucho de la batería firmemente cuando instale o extraiga el cartucho de la batería. Si no sujeta la herramienta y el cartucho de la batería firmemente, pueden resbalar de sus manos y pueden producirse daños en la herramienta o el cartucho de la batería, así como lesiones personales.

Para quitar el cartucho de la batería, mantenga pulsado el botón de la parte frontal del cartucho y retírelo.

Para instalar el cartucho de la batería, alinee la lengüeta situada en el cartucho de la batería con la ranura del alojamiento e insértela. Insértelo completamente hasta que quede firmemente encajado con un clic. Si puede ver el indicador rojo de la zona superior del botón, significa que el cartucho no está encajado completamente.

PRECAUCIÓN:

- Instale siempre completamente el cartucho de la batería de forma que el indicador rojo quede oculto. De lo contrario, el cartucho puede desprenderse accidentalmente de la herramienta y causar lesiones al operario o a alguna persona que se encuentre cerca.
- No presione excesivamente el cartucho de la batería para instalarlo. Si el cartucho no entra con suavidad, significa que no lo está instalando correctamente.

Sistema de protección de la batería (batería de iones de litio con una marca de estrella) (Fig. 2)

Las baterías de iones de litio con una marca de estrella están equipadas con un sistema de protección. Este

sistema corta automáticamente la alimentación a la herramienta para ampliar la duración de la batería. La herramienta se detendrá automáticamente durante el funcionamiento si la herramienta y/o la batería se someten a los siguientes estados:

- **Sobrecarga:**

La herramienta se utiliza de una forma que hace que consuma una cantidad anormalmente alta de corriente.

En ese caso, suelte el interruptor disparador de la herramienta y detenga la aplicación que provocaba que la herramienta se sobrecargara. A continuación vuelva a accionar el interruptor disparador para reanudar las operaciones.

Si la herramienta no se pone en marcha, la batería se sobrecalienta. En ese caso, deje que la batería se enfríe antes de volver a accionar el interruptor disparador.

- **Tensión de la batería baja:**

La capacidad restante de la batería es demasiado baja y la herramienta no funcionará. En ese caso, extraiga y recargue la batería.

Funcionamiento del interruptor (Fig. 3)

PRECAUCIÓN:

- Antes de insertar el cartucho de la batería en la herramienta, asegúrese siempre de que el interruptor disparador funcione como es debido y que vuelva a la posición "OFF" (apagado) al soltarlo.

Para evitar que el interruptor disparador se accione accidentalmente se proporciona un botón de desbloqueo. Para poner en marcha la herramienta, presione el botón de desbloqueo del lado B y tire del interruptor disparador. Suelte el interruptor disparador para detener la herramienta. Después del uso, presione siempre el botón de desbloqueo del lado A.

Dial de ajuste de velocidad (Fig. 4)

La velocidad de la herramienta se puede ajustar infinitamente entre 1,4 m/s y 2,7 m/s girando el dial de regulación. Se obtendrá mayor velocidad cuando el dial se gire en la dirección del número 6; se obtendrá menor velocidad cuando se gire en la dirección del número 1. Seleccione la velocidad apropiada para la pieza de trabajo a cortar.

PRECAUCIÓN:

- El dial de regulación de la velocidad puede girarse hasta 6 y de vuelta hasta 1 solamente. No lo fuerce más allá de 6 ó 1, o la función de ajuste de velocidad podrá dejar de funcionar.

Encendido de la lámpara (Fig. 5)

PRECAUCIÓN:

- No exponga la lámpara a golpes, ya que puede ocasionar daños a la misma o acortar su vida de servicio.

Tire del interruptor disparador para encender la luz. La luz permanece encendida mientras se acciona el interruptor disparador. La luz se apaga entre 10 y 15 segundos después de soltar el disparador.

NOTA:

- Utilice un paño seco para limpiar la suciedad del cristal de la lámpara. Procure no rayar el cristal de la lámpara, puesto que puede disminuir el grado de iluminación.
- No utilice disolventes ni gasolina para limpiar la lámpara. Estos productos pueden dañarla.
- Si la herramienta se sobrecarga durante su uso, la lámpara parpadeará.
- Cuando la capacidad restante de la batería sea pequeña, la lámpara parpadeará.

MONTAJE

PRECAUCIÓN:

- Asegúrese siempre de apagar la herramienta y extraer el cartucho de la batería antes de intentar realizar cualquier tipo de operación en la herramienta.

Instalación o desmontaje de la banda

PRECAUCIÓN:

- La presencia de aceite en la banda puede provocar que la banda resbale o se desprenda inesperadamente. Antes de instalar la banda, limpie con un trapo cualquier exceso de aceite.
- Tenga mucho cuidado cuando manipule la banda, ya que sus dientes están muy afilados y podría sufrir algún corte.

Gire a la derecha la palanca de apriete de la banda hasta que choque con la protuberancia de la estructura. (Fig. 6) Coloque la dirección de la flecha de la banda en el mismo sentido que la flecha de los discos. (Fig. 7)

Inserte la hoja entre los cojinetes del soporte superior primero y después en el soporte inferior. La parte posterior de la hoja debe estar en contacto con los cojinetes de la parte inferior del soporte superior y el soporte inferior.

Ponga la banda alrededor de los discos e inserte el otro lado de la banda dentro del soporte superior y soporte inferior hasta que la parte posterior de la banda toque la parte inferior del soporte superior y soporte inferior. (Fig. 8 y 9)

Coloque la hoja en la ranura de la guía de la hoja. Sujete la banda en posición y gire la palanca tensora de la banda hacia la izquierda hasta que golpee contra el saliente del bastidor. Esta operación tensa correctamente la banda. Asegúrese de que la banda esté bien colocada en el protector de banda y alrededor de los discos. Encienda y pare la herramienta dos o tres veces para comprobar que la banda se desliza correctamente sobre los discos.

PRECAUCIÓN:

- Mientras se asegura de que la banda gira debidamente en los discos, mantenga su cuerpo alejado del área de la banda.

Para extraer la banda, siga el procedimiento de instalación en orden inverso.

PRECAUCIÓN:

- Cuando gire la palanca tensora de la banda hacia la derecha para liberar la tensión de la banda, apunte la herramienta hacia abajo porque la banda puede salirse inesperadamente.

Ajuste del saliente de la placa de tope (Fig. 10)

En la operación normal, saque la placa de tope al lado A completamente.

Cuando la placa de tope golpee contra obstáculos tales como una pared o un objeto por el estilo al finalizar un corte, afloje los dos tornillos y deslícelas al lado B de la figura.

Después de deslizar la placa de tope, sujétela apretando los dos tornillos firmemente.

MANEJO

Es muy importante que, como mínimo, dos dientes de la banda estén en contacto con la zona de corte. (Fig. 11) Consulte la ilustración para elegir la posición de corte adecuada de la pieza. (Fig. 12)

Sujete la herramienta con ambas manos como se muestra en la figura con la placa de tope haciendo contacto con la pieza de trabajo y la banda sin tocar la pieza de trabajo. (Fig. 13)

Encienda la herramienta y espere a que la banda alcance la velocidad máxima. Baje con cuidado la banda al corte. El propio peso de la herramienta o una ligera presión es suficiente para realizar el corte. No fuerce la herramienta. Cuando esté a punto de finalizar el corte, deje de ejercer presión sin alzar la herramienta y, a continuación, levántela ligeramente para evitar que colisione con la pieza.

PRECAUCIÓN:

- Si se aplica una presión excesiva a la herramienta o se fuerce la banda, el corte puede ser oblicuo o la banda puede dañarse.
- Si la herramienta no se va a utilizar durante un largo periodo de tiempo, quite la banda de la herramienta.
- Si la herramienta se utiliza continuamente hasta que el cartucho de la batería se descarga, deje reposar la herramienta durante 15 minutos antes de continuar con una batería cargada.

Lubricante de corte

Para cortar metales, utilice como lubricante la cera de corte de Makita. Para aplicar la cera de corte a los dientes de la sierra, ponga en marcha la herramienta y realice un corte en la cera, tal como se muestra en la ilustración después de quitar una tapa de la cera de corte. (Fig. 14)

PRECAUCIÓN:

- No utilice nunca lubricante de corte ni aplique un exceso de cera en la banda, puesto que podría resbalar o desprenderse inesperadamente.
- No utilice cera de corte cuando corte hierro fundido.

MANTENIMIENTO

PRECAUCIÓN:

- Asegúrese de apagar siempre la herramienta y extraer el cartucho de la batería antes de intentar realizar cualquier trabajo de inspección o mantenimiento en ella.
- Nunca utilice gasolina, benceno, disolvente, alcohol o un producto similar. Se puede provocar una decoloración, una deformación o grietas.

Limpieza

Después del uso, quite la cera, las virutas y el polvo de la herramienta, neumáticos del disco y banda.

PRECAUCIÓN:

- No utilice nunca disolventes, como aguarrás, gasolina, barniz, etc. para limpiar los componentes de plástico.
- La presencia de cera y virutas en los neumáticos puede provocar que la banda resbale y se desprenda inesperadamente. Utilice un paño seco para quitar la cera y las virutas de los neumáticos.

Reemplazo de los neumáticos de los discos (Fig. 15)

Los neumáticos deben sustituirse cuando la banda resbala o se desvía debido al desgaste de los neumáticos o al deterioro del reborde del neumático en el lado del motor.

Sustitución de las escobillas de carbón (Fig. 16)

Extraiga y compruebe las escobillas de carbón regularmente. Reemplácelas cuando se gasten hasta la marca de límite. Mantenga las escobillas de carbón limpias y de forma que entren libremente en los portaescobillas. Ambas escobillas de carbón deberán ser reemplazadas al mismo tiempo. Utilice sólo escobillas de carbón idénticas.

Utilice un destornillador para extraer las tapas de los portaescobillas. Saque las escobillas de carbón desgastadas, inserte las nuevas y cierre las tapas de los portaescobillas. (Fig. 17)

Para conservar la SEGURIDAD y la FIABILIDAD del producto, los trabajos de reparación y otros trabajos de mantenimiento y ajuste deberán ser realizados en centros de servicio autorizados de Makita, utilizando siempre repuestos Makita.

ACCESORIOS OPCIONALES

⚠ PRECAUCIÓN:

- Se recomienda el uso de estos accesorios o complementos con la herramienta Makita especificada en este manual. El uso de otros accesorios o complementos puede conllevar el riesgo de ocasionar daños corporales. Utilice los accesorios o complementos solamente para su fin establecido.

Si necesita cualquier ayuda para obtener más información relativa a estos accesorios, pregunte a su centro de servicio Makita local.

- Bandas de sierras de banda
- Llave Allen 4
- Cera de corte
- Batería y cargador originales de Makita

NOTA:

- Algunos elementos de la lista se pueden incluir en el paquete de la herramienta como accesorios estándar. Pueden ser diferentes de un país a otro.

Ruido

ENG905-1

Niveles típicos de ruido ponderado A determinados conforme a EN60745:

Nivel de presión de sonido (L_{pA}): 81 dB (A)

Nivel de potencia de sonido (L_{WA}): 92 dB (A)

Incertidumbre (K): 3 dB (A)

Utilice protección para los oídos.

Vibración

ENG900-1

Valor total de la vibración (suma de vectores triaxiales) determinado según el estándar EN60745:

Modo de trabajo: corte de metal

Emisión de vibraciones ($a_{h,CM}$): 2,5 m/s² o menos

Incertidumbre (K): 1,5 m/s²

ENG901-1

- El valor de emisión de vibraciones se ha medido de acuerdo con el método de prueba estándar y se puede utilizar para comparar herramientas.
- El valor de emisión de vibraciones declarado también se puede usar en una evaluación preliminar de la exposición.

ADVERTENCIA:

- La emisión de vibraciones durante el uso de la herramienta eléctrica puede diferir del valor de emisiones declarado, dependiendo de las formas en que se utiliza la herramienta.
- Asegúrese de identificar las mediciones correctas para proteger al operario, que se basan en una estimación de la exposición en condiciones de uso reales (teniendo en cuenta todas las partes del ciclo de operaciones, como los momentos en los que la herramienta está apagada y cuando funciona al ralentí además del tiempo en que está activado el interruptor).

Sólo para países europeos

ENH101-16

Declaración de conformidad de la CE

Nosotros, Makita Corporation, en calidad de fabricante responsable, declaramos que las siguientes máquinas Makita:

Designación de la máquina:

Sierra de Banda Portátil Inalámbrica

Nº de modelo/ Tipo: DPB180

son de producción serie y

Cumplen con las siguientes Directivas europeas:

2006/42/CE

Y se han fabricado de acuerdo con los siguientes estándares o documentos estandarizados:

EN60745

La documentación técnica la conserva:

Makita International Europe Ltd.

Technical Department,

Michigan Drive, Tongwell,

Milton Keynes, Bucks MK15 8JD, Inglaterra

30. 1. 2009



Tomoyasu Kato

Director

Makita Corporation

3-11-8, Sumiyoshi-cho,

Anjo, Aichi, 446-8502, JAPAN

PORTUGUÊS (Instruções de origem)

Descrição geral

- | | | |
|--|----------------------|----------------------------|
| 1. Bateria | 10. Desapertar | 20. Encaixe |
| 2. Botão | 11. Saliência | 21. Parafuso |
| 3. Indicador vermelho | 12. Alavanca | 22. Placa de travagem |
| 4. Marca de estrela | 13. Lâmina | 23. Cera de corte |
| 5. Botão de bloqueio | 14. Rolamento | 24. Pneu |
| 6. Gatilho | 15. Suporte superior | 25. Bordo |
| 7. Manípulo de regulação da velocidade | 16. Suporte inferior | 26. Marca limite |
| 8. Lâmpada | 17. Roda | 27. Chave de parafusos |
| 9. Apertar | 18. Prensa | 28. Tampa do porta-escovas |
| | 19. Lâmina-guia | |

ESPECIFICAÇÕES

Modelo		DPB180
Capacidade máxima de corte	Peça de trabalho redonda	120 mm dia.
	Peça de trabalho rectangular	120 mm x 120 mm
Velocidade da lâmina		1,4 – 2,7 m/s
Tamanho da lâmina	Comprimento	1.140 mm
	Largura	13 mm
	Espessura	0,5 mm
Dimensões gerais (C x L x A)		523 mm x 231 mm x 313 mm
Peso líquido		6,5 kg
Voltagem nominal		CC 18 V

- Devido à pesquisa e desenvolvimento constantes, estas especificações estão sujeitas a alteração sem aviso prévio.
- As especificações e o cartucho da bateria podem ser diferentes consoante o país.
- Peso, com a bateria, de acordo com o procedimento EPTA de 01/2003

Utilização prevista

ENE009-1

A ferramenta destina-se a cortar madeira, plástico e materiais metálicos.

Avisos gerais de segurança para ferramentas eléctricas

GEA010-1

⚠ AVISO Leia todos os avisos de segurança e todas as instruções. O não cumprimento dos avisos e instruções pode resultar na ocorrência de choques eléctricos, incêndios e/ou ferimentos graves.

Guarde todos os avisos e instruções para referência futura.

AVISOS DE SEGURANÇA PARA A SERRA DE FITA A BATERIA

GEB065-2

1. Quando executar operações em que a máquina de corte possa entrar em contacto com fios eléctricos ocultos, tenha o cuidado de tocar apenas nas superfícies isoladas da máquina. Os acessórios de corte em contacto com um fio eléctrico ligado à corrente podem electrificar as peças de metal da ferramenta e provocar um choque.
2. Utilize apenas lâminas que estão listadas em "ESPECIFICAÇÕES".
3. Verifique cuidadosamente se a lâmina apresenta fissuras ou danos, antes de utilizar. Substitua
4. imediatamente uma lâmina fissurada ou danificada.
5. Fixe bem a peça de trabalho. Quando cortar um conjunto de peças de trabalho, certifique-se de que todas as peças de trabalho estão bem presas antes de cortar.
6. Cortar peças de trabalho cobertas de óleo pode fazer com que a lâmina salte de forma inesperada. Limpe qualquer excesso de óleo das peças de trabalho antes de cortar.
7. Nunca utilize o óleo de cortar como um lubrificante de cortar. Utilize apenas cera de corte Makita.
8. Não use luvas durante o funcionamento.
9. Afaste as mãos das peças em movimento.
10. Quando cortar metal, tenha cuidado com limalhas quentes no ar.
11. Não abandone a ferramenta a funcionar sem ninguém por perto.
12. Não toque numa lâmina ou no material em que tiver estado a trabalhar logo após a operação porque podem estar demasiado quentes.

GUARDE ESTAS INSTRUÇÕES.

AVISO:

NÃO deixe que o conforto ou familiaridade com o produto (obtida de uma utilização regular) substitua um cumprimento severo das regras de segurança do

produto em causa. Uma UTILIZAÇÃO INCORRECTA ou não cumprimento das regras de segurança indicadas neste manual de instruções podem provocar ferimentos pessoais sérios.

INSTRUÇÕES DE SEGURANÇA IMPORTANTES

ENC007-9

RELATIVAS À BATERIA

1. Antes de utilizar a bateria, leias as instruções e chamadas de atenção sobre: (1) o carregador da bateria, (2) a bateria e (3) o produto que utiliza a bateria.
2. Não desmonte a bateria.
3. Se o tempo de utilização com a bateria se tornar demasiado curto, deve parar imediatamente. Se continuar, pode causar sobreaquecimento, incêndio e mesmo explosões.
4. Se o electrólito entrar em contacto com os olhos, enxágue-os com água limpa e consulte imediatamente um médico. Os riscos incluem perda de visão.
5. Não provoque um curto-circuito na bateria:
 - (1) Não deixe que quaisquer materiais condutores entrem em contacto com os terminais da bateria.
 - (2) Evite guardar a bateria juntamente com outros objectos de metal como pregos, moedas, etc.
 - (3) Não exponha a bateria a água ou chuva. Um curto-circuito na bateria pode criar uma grande carga eléctrica, sobreaquecimento, possíveis queimaduras e mesmo uma avaria.
6. Não guarde a ferramenta e a bateria em locais onde a temperatura possa atingir ou exceder 50°C (122°F).
7. Não incinere a bateria, nem mesmo se esta estiver irremediavelmente danificada ou completamente gasta. Pode explodir num incêndio.
8. Não a deixe cair e evite o choque com outros objectos.
9. Não utilize uma bateria danificada.
10. Siga os regulamentos locais relacionados com a eliminação da bateria.

GUARDE ESTAS INSTRUÇÕES.

Sugestões para o máximo de tempo de vida da bateria

1. Não espere que a bateria se gaste completamente para voltar a carregá-la. Pare a ferramenta e carregue a bateria sempre que detectar um baixo nível de energia.
2. Nunca volte a carregar uma bateria já completamente carregada. O carregamento excessivo diminui o tempo de vida das baterias.
3. Carregue a bateria em locais onde a temperatura se situe entre 10°C e 40°C (50°F - 104°F). Se a bateria estiver quente, deixe-a arrefecer antes de iniciar o carregamento.

4. Carregue a bateria em caso de inatividade durante um longo período de tempo (mais de seis meses).

DESCRIÇÃO DO FUNCIONAMENTO

PRECAUÇÃO:

- Certifique-se sempre de que a ferramenta está desligada e que a bateria foi removida antes de proceder a ajustes ou testar acessórios.

Inserir ou retirar a bateria (Fig. 1)

⚠ PRECAUÇÃO:

- Desligue sempre a ferramenta antes de instalar ou retirar a bateria.
- **Segure bem a ferramenta e a bateria quando instalar ou retirar a bateria.** Se não segurar bem a ferramenta e a bateria, pode fazer com que caiam das mãos e provoquem danos na ferramenta e na bateria e ferimentos pessoais.

Para retirar a bateria, mantenha premido o botão na frente da bateria e puxe.

Para colocar a bateria, alinhe a respectiva saliência com a calha do compartimento e encaixe-a suavemente. Insira-a completamente até fixar em posição com um clique. Se ainda estiver visível o indicador vermelho na parte superior do botão, não estará bem encaixado.

⚠ PRECAUÇÃO:

- Instale sempre a bateria completamente, até deixar de ver o indicador vermelho. Caso contrário, pode cair da ferramenta e causar ferimentos em si, ou em alguém que esteja perto de si.
- Não instale a bateria forçosamente. Se não encaixar facilmente é porque não está correctamente posicionada.

Sistema de protecção da bateria (Bateria de íões de lítio com uma marca de estrela) (Fig. 2)

As baterias de íões de lítio com uma marca de estrela estão equipadas com um sistema de protecção. Este sistema corta automaticamente a alimentação para prolongar a vida útil da bateria.

A ferramenta pára automaticamente durante o funcionamento quando a ferramenta e/ou bateria são colocadas numa das condições seguintes:

- Sobrecarregada:

A ferramenta é utilizada de tal forma que atrai uma corrente involuntariamente alta. Nesta situação, solte o gatilho da ferramenta e pare a aplicação que causou a sobrecarga. De seguida, prima novamente o gatilho para reiniciar. Se a ferramenta não ligar, a bateria está sobreaquecida. Nesta situação, deixe a bateria arrefecer antes de premir novamente o gatilho.
- Tensão baixa da bateria:

A carga restante da bateria é demasiado baixa e a ferramenta não funciona. Nesta situação, retire e recarregue a bateria.

Acção do interruptor (Fig. 3)

PRECAUÇÃO:

- Antes de inserir a pilha na ferramenta, verifique se o gatilho está a funcionar correctamente e se volta à posição “OFF” quando o solta.

Para evitar que o gatilho seja acidentalmente puxado, é fornecido um botão de bloqueio.

Para iniciar a ferramenta, pressione o botão de bloqueio do lado B e puxe o gatilho.

Para parar a ferramenta, solte o gatilho. Após utilizar, prima sempre o botão de bloqueio do lado A.

Manípulo de regulação da velocidade (Fig. 4)

A velocidade da ferramenta pode ser ajustada de forma infinita entre 1,4 m/s e 2,7 m/s, rodando o manípulo de regulação. É obtida uma velocidade mais elevada quando o manípulo é rodado na direcção do número 6. É obtida uma velocidade mais baixa quando é rodado na direcção do número 1.

Selecione a velocidade adequada ao corte da peça de trabalho.

PRECAUÇÃO:

- O manípulo de regulação da velocidade apenas pode ser rodado até 6 ou 1. Não o force para lá de 6 ou 1, caso contrário a função de regulação da velocidade poderá deixar de funcionar.

A luz incorporada na ferramenta (Fig. 5)

PRECAUÇÃO:

- Não aplique um impacto na lâmpada, já que poderá causar danos ou diminuir vida útil da mesma.

Para a acender prima o gatilho. A lâmpada manter-se-á acesa enquanto o gatilho for premido. 10 a 15 segundos depois de o gatilho ser solto, a luz apaga-se.

NOTA:

- Para limpar a lâmpada, utilize um tecido seco. Tenha cuidado para não riscar a lente da lâmpada, pois poderia diminuir a intensidade da iluminação.
- Não utilize diluente ou gasolina para limpar a luz. Esses diluentes poderão danificá-la.
- Quando a ferramenta é sobrecarregada durante o funcionamento, a lâmpada pisca.
- Quando a capacidade restante da bateria for pequena, a lâmpada fica intermitente.

MONTAGEM

PRECAUÇÃO:

- Certifique-se sempre de que a ferramenta está desligada e a bateria removida, antes de efectuar qualquer operação na ferramenta.

Instalar ou remover a lâmina

PRECAUÇÃO:

- O óleo na lâmina pode fazer com que a lâmina escorregue ou saia de forma inesperada. Limpe todo o óleo em excesso com um pano antes de instalar a lâmina.

- Tenha cuidado quando manusear a lâmina, para que não seja cortado pelas extremidades afiadas dos dentes da lâmina.

Rode a alavanca de aperto da lâmina até que embata na saliência da estrutura. (Fig. 6)

Faça corresponder a direcção da seta na lâmina para a da seta nas rodas. (Fig. 7)

Introduza primeiro a lâmina entre os rolamentos do suporte superior e, de seguida, no suporte inferior. A parte traseira da lâmina deve estar em contacto com os rolamentos na parte inferior do suporte superior e suporte inferior.

Posicione a lâmina à volta das rodas e introduza o outro lado da lâmina dentro do suporte superior e suporte inferior, até que a lâmina entre em contacto com o fundo do suporte superior e inferior. (Fig. 8 e 9)

Coloque a lâmina no encaixe na lâmina-guia.

Fixe a lâmina e rode a alavanca de aperto da lâmina no sentido contrário ao dos ponteiros do relógio até que embata na saliência da estrutura. Isto aplica tensão na lâmina. Certifique-se de que a lâmina está correctamente posicionada dentro da protecção da lâmina à volta das rodas.

Inicie e pare a ferramenta duas ou três vezes para se certificar de que a lâmina corre adequadamente nas rodas.

PRECAUÇÃO:

- Enquanto garante que a lâmina corre correctamente nas rodas, mantenha o corpo afastado da zona da lâmina.

Para remover a lâmina, siga o procedimento inverso de instalação.

PRECAUÇÃO:

- Quando rodar a alavanca de aperto da lâmina no sentido dos ponteiros do relógio para libertar a tensão na lâmina, aponte a ferramenta para baixo, uma vez que a lâmina pode sair de forma inesperada.

Ajustar a saliência da placa de travagem (Fig. 10)

No funcionamento normal, faça sair a placa de travagem totalmente para o lado A.

Quando a placa de travagem embater contra obstáculos tais como uma parede ou semelhantes após terminar um corte, desaperte os dois parafusos e deslize para o lado B na figura.

Após deslizar a placa de travagem, fixe-a apertando bem os dois parafusos.

FUNCIONAMENTO

É importante que mantenha pelo menos dois dentes no corte. (Fig. 11)

Selecione a posição de corte adequada da peça de trabalho, consultando a figura. (Fig. 12)

Segure na ferramenta com ambas as mãos tal como ilustrado, com a placa de travagem em contacto com a peça de trabalho e a lâmina afastada da peça de trabalho. (Fig. 13)

Ligue a ferramenta e aguarde até que a lâmina atinja a velocidade máxima. Baixe lentamente a lâmina para o corte. O peso da ferramenta ou pressionar ligeiramente a

ferramenta fornecerá a pressão adequada para o corte. Não force a ferramenta.

À medida que atinge o fim de um corte, alivie a pressão e, sem levantar a ferramenta, levante-a ligeiramente de forma a que não caia contra a peça de trabalho.

PRECAUÇÃO:

- Aplicar pressão excessiva à ferramenta ou torcer a lâmina poderá causar um corte de bisel e danos na lâmina.
- Quando não utilizar a ferramenta durante um longo período de tempo, remova a lâmina da ferramenta.
- Se mantiver a ferramenta a funcionar ininterruptamente até a bateria se gastar completamente, deixe-a em repouso durante 15 minutos antes de substituir a bateria.

Lubrificante de corte

Quando cortar metais, utilize cera de corte Makita como um lubrificante de corte. Para aplicar a cera de corte aos dentes da lâmina, ligue a ferramenta e corte na cera de corte tal como apresentado na figura, após remover a tampa da cera de corte. (Fig. 14)

PRECAUÇÃO:

- Nunca utilize óleo de corte ou aplique uma quantidade excessiva de cera na lâmina. Poderá fazer com que lâmina escorregue ou saia de forma inesperada.
- Quando cortar ferro forjado, não utilize qualquer cera de corte.

MANUTENÇÃO

PRECAUÇÃO:

- Certifique-se sempre de que a ferramenta está desligada e a bateria removida antes de efectuar operações de inspecção ou de manutenção.
- Nunca utilize gasolina, benzina, diluente, álcool ou semelhante. Podem formar-se descolorações, deformações ou fissuras.

Limpeza

Após utilizar, remova a cera, limalhas e pó da ferramenta, pneus das rodas e lâmina.

PRECAUÇÃO:

- Nunca utilize diluentes como terbenzina, gasolina, verniz, etc. para limpar peças de plástico.
- A cera e limalhas nos pneus poderá fazer com que a lâmina escorregue e saia de forma inesperada. Utilize um pano seco para remover a cera e limalhas dos pneus.

Substituir os pneus nas rodas (Fig. 15)

Quando a lâmina escorrega ou não alinha correctamente, devido a pneus gastos, o bordo no pneu no lado do motor fica desgastado, devendo substituir os pneus.

Substituição das escovas de carvão (Fig. 16)

Remova e verifique regularmente as escovas de carvão. Substitua-as quando o desgaste atingir a marca limite. Mantenha-as limpas para poderem deslizar no porta-escovas. Substitua as duas ao mesmo tempo. Utilize apenas escovas de carvão idênticas.

Utilize uma chave de parafusos para remover as tampas do porta-escovas. Retire as escovas usadas, coloque umas novas e fixe as tampas do porta-escovas. (Fig. 17) Para manter os níveis de SEGURANÇA e FIABILIDADE definidos para este produto, as reparações e os procedimentos de manutenção ou ajustes devem ser executados por centros de assistência Makita autorizados, utilizando sempre peças de substituição Makita.

ACESSÓRIOS OPCIONAIS

⚠ PRECAUÇÃO:

- Os seguintes acessórios ou extensões são os recomendados para utilizar com a ferramenta Makita especificada neste manual. A utilização de quaisquer outros acessórios poderá representar um risco de ferimento para as pessoas. Apenas utilize o acessório para o fim indicado.

Se precisar de informações adicionais relativas aos acessórios, contacte o centro local de assistência Makita.

- Lâminas da serra de banda
- Chave sextavada 4
- Cera de corte
- Bateria e carregador genuínos da Makita

NOTA:

- Alguns itens na lista podem estar incluídos no pacote de ferramentas como acessórios de série. Podem diferir de país para país.

Ruído

ENG905-1

Os níveis acústicos ponderados A típicos foram determinados segundo a EN60745:

Nível de pressão sonora (L_{pA}): 81 dB (A)

Nível de potência sonora (L_{WA}): 92 dB (A)

Incerteza (K): 3 dB (A)

Use protecção para os ouvidos.

Vibração

ENG900-1

O valor total da vibração (soma triaxial de vectores) foi determinado segundo a EN60745:

Modo de trabalho: corte de metal

Emissão de vibração ($a_{h,CM}$): 2,5 m/s² ou menos

Incerteza (K): 1,5 m/s²

ENG901-1

- O valor da emissão de vibração declarado foi medido de acordo com o método de teste padrão e pode ser utilizado para comparar uma ferramenta com outra.
- O valor da emissão de vibração declarado pode também ser utilizado numa avaliação preliminar de exposição.

⚠ AVISO:

- A emissão de vibração durante a utilização real da ferramenta eléctrica pode ser diferente do valor de emissão declarado, dependendo da forma como a ferramenta é utilizada.
- Certifique-se de que identifica medidas de segurança, para proteger o operador, que são baseadas numa estimativa de exposição nas condições reais de utilização (tendo em conta todas as partes do ciclo de funcionamento, como as vezes que a ferramenta é desligada e quando está a trabalhar ao ralenti, além do tempo de utilização).

Declaração de conformidade CE

A Makita Corporation, na qualidade do fabricante responsável, declara que a(s) máquina(s) Makita seguinte(s):

Designação da máquina:

Serra de Fita a Bateria

N.º de modelo/Tipo: DPB180

são produzidas em série e

estão em conformidade com as Directivas Europeias seguintes:

2006/42/EC

E são fabricadas de acordo com as normas ou os documentos padronizados seguintes:

EN60745

A documentação técnica é mantida por:

Makita International Europe Ltd.

Technical Department,

Michigan Drive, Tongwell,

Milton Keynes, Bucks MK15 8JD, Inglaterra

30. 1. 2009



Tomoyasu Kato

Director

Makita Corporation

3-11-8, Sumiyoshi-cho,

Anjo, Aichi, 446-8502, JAPAN

DANSK (Originalvejledning)

Forklaring til generel oversigt

1. Batteripakke	11. Fremspring	21. Skrue
2. Knap	12. Håndtag	22. Stopperplade
3. Rød indikator	13. Klinge	23. Skærevoks
4. Stjernemærkning	14. Leje	24. Ring
5. Låseknap	15. Øverste holder	25. Kant
6. Kontaktgreb	16. Nederste holder	26. Slidgrænse
7. Drejeknap til hastighedsjustering	17. Hjul	27. Skruetrækker
8. Lampe	18. Tryk	28. Kulholderdæksel
9. Stram	19. Klingestyr	
10. Løsn	20. Rille	

SPECIFIKATIONER

Model		DPB180
Maks. skærekapacitet	Rundt arbejdsemne	120 mm diameter
	Rektangulært arbejdsemne	120 mm x 120 mm
Klinge-hastighed		1,4 - 2,7 m/s
Klingestørrelse	Længde	1.140 mm
	Bredde	13 mm
	Tykkelse	0,5 mm
Mål i alt (L x B x H)		523 mm x 231 mm x 313 mm
Nettovægt		6,5 kg
Nominel spænding		18 V DC

- På grund af vores løbende forsknings- og udviklingsprogram kan specifikationerne heri ændres uden forudgående varsel.
- Specifikationerne og batteripakken kan variere fra land til land.
- Vægt, inklusive batteripakken, i henhold til EPTA-Procedure 01/2003

Tilsigtet brug ENE009-1

Værktøjet er beregnet til at save i træ, plastik, og jernholdige materialer.

Generelle sikkerhedsadvarsler for maskiner

GEA010-1

⚠ ADVARSEL Læs alle sikkerhedsadvarsler og alle instruktioner. Hvis De ikke følger alle advarsler og instruktioner, kan det medføre elektrisk stød, brand og/eller alvorlig personskade.

Gem alle advarsler og instruktioner til senere reference.

SIKKERHEDSADVARSLER FOR LEDNINGSFRI TRANSPORTABEL BÅNDSAV

GEB065-2

1. Hold maskiner i de isolerede gribeplader, når du udfører arbejde, hvor skæretilbehøret kan komme i kontakt med skjulte ledninger. Hvis skæretilbehøret kommer i kontakt med en strømførende ledning, kan udsatte metaldele på maskinen blive strømførende, hvorved operatøren kan få elektrisk stød.
2. Brug kun de klinger som er anført under "SPECIFIKATIONER".

3. Efterse klingen omhyggeligt for revner eller beskadigelse før brugen. Udskift øjeblikkeligt revnede eller beskadigede klinger.
4. Spænd arbejdsemnet godt fast. Ved skæring i flere arbejdsemner skal du sikre dig, at alle arbejdsemnerne er solidt fastgjort, før du skærer.
5. Ved skæring i arbejdsemner, der er indsmurt i olie, kan klingen falde af uventet. Tør al overflødig olie af arbejdsemnerne, før du skærer.
6. Anvend aldrig skæreolie som skæremiddel. Anvend kun Makita-skærevoks.
7. Undlad at bære handsker under arbejdet.
8. Hold godt fast i maskinen med begge hænder.
9. Hold hænderne på afstand af roterende dele.
10. Vær opmærksom på varme, flyvende spåner, når du skærer i metal.
11. Lad ikke maskinen køre uovervåget.
12. Rør ikke klingen eller arbejdsemnet umiddelbart efter brugen. De kan være meget varme og forårsage forbrændinger af huden.

GEM DISSE INSTRUKTIONER.

⚠ ADVARSEL:
LAD IKKE tryghed eller kendskab til produktet (fra gentagen brug) føre til, at du ikke strengt overholder sikkerhedsreglerne for det gældende produkt. MISBRUG eller manglende overholdelse af sikkerhedsreglerne i denne brugsanvisning kan medføre alvorlig personskade.

VIGTIGE SIKKERHEDSINSTRUKTIONER

ENC007-9

FOR BATTERIPAKKEN

1. Før brugen af batteripakken skal du læse alle instruktioner og advarsler på (1) batteriopladeren, (2) batteriet og (3) det produkt, som batteriet anvendes i.
2. Skil ikke batteripakken ad.
3. Hvis driftstiden bliver betydeligt kortere, skal du straks ophøre med brugen. Brug kan medføre risiko for overophedning, risiko for forbrændinger eller endog eksplosion.
4. Hvis du får elektrolyt i øjnene, skal du med det samme rense øjnene med rent vand og søge læge. Dette kan medføre tab af synet.
5. Kortslut ikke batteripakken:
 - (1) Undgå at røre ved terminalerne med ledende materiale.
 - (2) Undgå at opbevare batteripakken i en beholder med andre metalgenstande som f.eks. søm, mønter osv.
 - (3) Udsæt ikke batteripakken for vand eller regn. Hvis batteriet kortsluttes, kan det medføre voldsom strøm, overophedning, mulige forbrændinger og endog nedbrud.
6. Undgå at opbevare værktøjet og batteripakken på steder, hvor temperaturen kan komme op på eller overstige 50°C.
7. Sæt ikke ild til batteripakken, selvom den er alvorligt beskadiget eller helt udtjent. Batteripakken kan eksplodere ved brand.
8. Undgå at tabe eller slå på batteriet.
9. Undlad brug af et beskadiget batteri.
10. Følg de lokale bestemmelser med hensyn til bortskaffelse af batteri.

GEM DISSE INSTRUKTIONER.

Tips til, hvordan du forlænger batteriets levetid

1. Oplad batteripakken, før den bliver helt afladet. Ophør med at bruge værktøjet, og udskift batteripakken, hvis strømmen til værktøjet aftager.
2. Oplad aldrig en fuldt opladet batteripakke. Overopladning forkorter batteriets levetid.
3. Oplad batteripakken ved stuetemperatur på 10°C - 40°C. Lad batteripakken køle ned før den oplades, hvis den er varm.
4. Oplad batteripakken, hvis du ikke skal anvende den i en længere periode (mere end seks måneder).

FUNKTIONSBESKRIVELSE

FORSIGTIG:

- Sørg altid for, at værktøjet er slukket, og at batteripakken er taget ud, før De justerer værktøjet eller kontrollerer dets funktion.

Montering eller afmontering af batteripakken (Fig. 1)

⚠ FORSIGTIG:

- Sluk altid for værktøjet inden montering eller afmontering af batteripakken.
- **Hold godt fast i værktøjet og batteripakken, når du monterer eller afmonterer batteripakken.** Hvis maskinen og batteripakken ikke holdes ordentligt fast, kan de glide ud af hænderne og resultere i skader på maskinen og batteripakken samt personskade. Afmonter batteripakken ved at holde ned på knappen foran på batteripakken og skubbe den af værktøjet. Ved montering af batteripakken justeres tungen på batteripakken med rillen i huset, hvorefter pakken skubbes på plads. Sæt den hele vejen ind, indtil den låses på plads med et lille klik. Hvis den røde indikator øverst på knappen er synlig, er batteripakken ikke låst helt fast.

⚠ FORSIGTIG:

- Sæt altid batteripakken helt ind, indtil den røde indikator ikke længere er synlig. Ellers kan den falde ud af værktøjet og skade dig eller andre personer i nærheden.
- Anvend ikke kræfter ved monteringen af batteripakken. Hvis den ikke glider let ind, er den ikke indsat korrekt.

Batteribeskyttelsessystem (lithium-ion-batteri med stjernemærkning) (Fig. 2)

Lithium-ion-batterier med en stjernemærkning er udstyret med et beskyttelsessystem. Dette system slukker automatisk for strømmen til maskinen for at forlænge batterilevetiden.

Maskinen stopper automatisk under anvendelsen, hvis maskinen og/eller batteriet udsættes for en af de følgende situationer:

- Overbelastning:

Maskinen anvendes på en sådan måde, at det får den til at bruge unormalt meget strøm. I denne situation skal du slippe kontaktrebet på maskinen og stoppe den anvendelse, som gjorde maskinen overbelastet. Tryk derefter ind på kontaktrebet for starte igen.

Hvis maskinen ikke starter, er batteriet overbelastet. I denne situation skal du lade batteriet køle af, inden du trykker ind på kontaktrebet igen.
- Lav batterispænding:

Den resterende batterikapacitet er for lav, og maskinen kan ikke køre. I denne situation skal du afmontere og oplade batteriet.

Betjening af kontakt (Fig. 3)

FORSIGTIG:

- Før batteripakken sættes i værktøjet, skal De altid kontrollere, at kontaktrebet reagerer korrekt og vender tilbage i "OFF"-stillingen, når De slipper det.

En låseknop forhindrer, at der trækkes i kontaktrebet ved et uheld.

Værktøjet startes ved at trykke låseknappen ind fra B-siden og trække i kontaktrebet.

Slip kontaktrebet for at stoppe. Tryk altid låseknappen ind fra A-siden efter brug.

Drejeknap til hastighedsjustering (Fig. 4)

Værktøjets hastighed kan indstilles nøjagtigt mellem 1,4 m/s og 2,7 m/s ved at dreje på drejeknappen til justering. Der opnås en højere hastighed ved at dreje knappen mod tallet 6, og der opnås en lavere hastighed ved at dreje knappen mod tallet 1.

Vælg den rigtige hastighed til det arbejdsområde, der skal skæres i.

FORSIGTIG:

- Drejknappen til hastighedsjustering kan kun drejes op til 6 og tilbage til 1. Prøv ikke at tvinge den forbi 6 eller 1, da hastighedsjusteringen ellers kan gå i stykker.

Tænding af lampen (Fig. 5)

FORSIGTIG:

- Anvend ikke magt mod lampen, da det kan beskadige den eller forkorte dens levetid. Træk i kontaktgrebet for at tænde lampen. Lampen forbliver tændt, så længe der trækkes i kontaktgrebet. Lampen slukkes 10-15 sekunder efter, at grebet slippes.

BEMÆRK:

- Benyt en tør klud til at tørre snavs af lampens linse. Pas på ikke at ridse lampens linse, da det kan mindske lysstyrken.
- Anvend ikke fortynder eller benzin til at rengøre lampen. Denne type opløsningsmidler kan beskadige den.
- Lampen blinker, når værktøjet overbelastes under brug.
- Lampen blinker, når den resterende batterikapacitet bliver lille.

MONTERING

FORSIGTIG:

- Sørg altid for, at værktøjet er slukket, og at batteripakken er taget ud, før De udfører nogen form for arbejde på værktøjet.

Montering eller afmontering af klingens

FORSIGTIG:

- Hvis der er olie på klingens, kan klingens glide eller falde af uventet. Tør overskydende olie bort med en klud, før klingens monteres.
- Vær forsigtig ved håndtering af klingens, så De ikke skærer Dem på tænderne, som er skarpe.

Drej håndtaget til stramning af klingens med uret, indtil det støder på fremspringet på rammen. (Fig. 6)

Retningen af pilen på klingens skal modsvare pilen på hjulene. (Fig. 7)

Sæt først klingens ind mellem lejerne i den øverste holder og derefter ind i den nederste holder. Bagsiden af klingens skal være i kontakt med lejerne i den nederste del af den øverste holder og nederste holder.

Placer klingens omkring hjulene, og indsæt den anden side af klingens i den øverste og nederste holder, indtil bagsiden af klingens berører bunden af den øverste og nederste holder. (Fig. 8 og 9)

Sæt klingens ind i rillen i klingestyrket.

Hold klingens på plads, og drej håndtaget til stramning af klingens mod uret, indtil det støder på fremspringet på rammen. Derved strammes klingens korrekt. Sørg for, at

klingens sidder korrekt inden for klingebeskytteren og omkring hjulene.

Start og stop værktøjet to eller tre gange for at sikre Dem, at klingens løber korrekt på hjulene.

FORSIGTIG:

- Hold kroppen på afstand af klingensområdet, mens De kontrollerer, at klingens løber korrekt på hjulene.

Følg fremgangsmåden til montering i omvendt rækkefølge for at afmontere klingens.

FORSIGTIG:

- Ret værktøjet nedad, når De drejer håndtaget til stramning af klingens med uret for at frigøre stramningen af klingens, da klingens kan falde af uventet.

Justering af stopperpladens fremspring (Fig. 10)

Ved normal drift skal stopperpladen vende helt mod A-siden.

Når stopperpladen støder mod forhindreder som f.eks. en væg eller lignende ved afslutningen af en skæring, skal De løsne de to skruer og flytte den mod B-siden som vist i figuren.

Stram de to skruer godt, når De har flyttet stopperpladen.

BETJENING

Det er vigtigt, at der sidder mindst to tænder i snittet.

(Fig. 11)

Vælg den rigtige skæreposition for arbejdsområdet ved at se på figuren. (Fig. 12)

Hold i værktøjet med begge hænder som vist i figuren, så stopperpladen har kontakt med arbejdsområdet, og klingens er fri af arbejdsområdet. (Fig. 13)

Tænd for værktøjet, og vent, indtil klingens når fuld hastighed. Sænk forsigtigt klingens ned i skæret.

Værktøjets egen vægt eller et let tryk på værktøjet giver tilstrækkeligt tryk til skæringen. Brug ikke magt på værktøjet.

Ved afslutningen af en skæring skal De lette trykket og, uden at hæve værktøjet, løfte let i det, så det ikke falder ned mod arbejdsområdet.

FORSIGTIG:

- Hvis der anvendes kraftigt tryk på værktøjet, eller klingens bøjes, kan det medføre skæve snit eller beskadigelse af klingens.
- Fjern klingens fra værktøjet, når værktøjet ikke skal bruges i længere tid.
- Hvis værktøjet betjenes konstant, indtil batteripakken er afladet, skal De lade værktøjet hvile i 15 minutter, før De fortsætter med et nyt batteri.

Skæremidler

Ved skæring i metaller skal De benytte Makita-skærevoks som skæremiddel. Start værktøjet, og skær ned i skærevoksen som vist på figuren, efter at De har fjernet dækslet fra skærevoksen, for at smøre skærevoksen på tænderne på klingens. (Fig. 14)

FORSIGTIG:

- Undlad at benytte skæreolie eller for store mængder voks på klingens. Dette kan få klingens til at glide eller falde af uventet.
- Anvend ikke skærevoks ved skæring i støbejern.

VEDLIGEHODELSE

FORSIGTIG:

- Sørg altid for, at værktøjet er slukket, og at batteripakken er taget ud, før De forsøger at udføre inspektion eller vedligeholdelse.
- Brug aldrig benzin, benzen, fortynder, alkohol eller lignende. Det kan muligvis medføre misfarvning, deformation eller revner.

Rengøring

Fjern voks, spåner og støv fra værktøjet, hjulringene og klingens efter brug.

FORSIGTIG:

- Anvend aldrig opløsningsmidler som terpentiner, benzin, lakfernis osv. til rengøring af plastikdelene.
- Voks og spåner på ringene kan få klingens til at glide og falde af uventet. Anvend en tør klud til at fjerne voks og spåner fra ringene.

Udskiftning af ringene på hjulene (Fig. 15)

Når klingens glider eller ikke løber korrekt på grund af nedslidte ringe, eller når kanten af ringen mod motorsiden bliver beskadiget, skal ringene udskiftes.

Udskiftning af kulbørster (Fig. 16)

Tag regelmæssigt kulbørsterne af, og efterse dem. Udskift dem, når de er nedslidte til slidgrænsen. Hold kulbørsterne rene og frie til at glide i holderne. Begge kulbørsterne skal udskiftes samtidig. Brug altid identiske kulbørster.

Brug en skruetrækker til at fjerne kulholderdækslerne. Tag de udslidte kulbørster ud, monter de nye, og fastgør kulholderdækslerne. (Fig. 17)

For at holde produktet SIKKERT og PÅLIDELIGT skal reparationer samt al anden vedligeholdelse eller justering udføres af autoriserede Makita-servicecentre, og der skal altid benyttes Makita-reservedele.

EKSTRAUDSTYR

⚠️ FORSIGTIG:

- Dette tilbehør eller ekstraudstyr anbefales til brug med det Makita-værktøj, som er beskrevet i denne brugsanvisning. Brug af andet tilbehør eller ekstraudstyr kan forårsage personskade. Brug kun tilbehør eller ekstraudstyr til det formål, det er beregnet til.

Henvend dig til dit lokale Makita-servicecenter, hvis du har brug for hjælp eller yderligere oplysninger vedrørende tilbehøret.

- Klanger til båndsav
- Umbracconøgle 4
- Skærevoks
- Originalt batteri og oplader fra Makita

BEMÆRK:

- Visse dele på listen er muligvis indeholdt maskinindpakningen som standardtilbehør. De kan variere fra land til land.

Støj

Det typiske A-vægtede støjniveau bestemt i overensstemmelse med EN60745:

Lydtryksniveau (L_{pA}): 81 dB (A)

Lydeffektniveau (L_{WA}): 92 dB (A)

Usikkerhed (K): 3 dB (A)

Bær høreværn.

Vibration

Den samlede vibrationsværdi (treaksiel vektorsum)

bestemt i overensstemmelse med EN60745:

Arbejdstilstand: skæring i metal

Vibrationsemission ($a_{h,CM}$): 2,5 m/s² eller mindre

Usikkerhed (K): 1,5 m/s²

ENG901-1

- Den opgivne vibrationsemissionsværdi er målt i overensstemmelse med standardtestmetoden og kan bruges til at sammenligne et værktøj med et andet.
- Den opgivne vibrationsemissionsværdi kan muligvis også bruges til en indledende eksponeringsvurdering.

⚠️ ADVARSEL:

- Vibrationsemissionen under den faktiske brug af maskinen kan afvige fra den opgivne emissionsværdi afhængigt af den måde, maskinen anvendes på.
- Sørg for at bestemme sikkerhedsforanstaltninger for beskyttelse af operatøren, som er baseret på en eksponeringsvurdering for brug under faktiske forhold (hvor alle anvendelsescyklussens dele inddrages, som f.eks. antal gange maskinen slukkes, og når den kører i tomgang ud over triggertiden).

Kun for europæiske lande

ENH101-16

EF-overensstemmelseserklæring

Vi, Makita Corporation, erklærer som ansvarlig producent at følgende Makita-maskine(r):

Maskinens betegnelse:

Ledningsfri transportabel båndsav

Modelnummer/ type: DPB180

er en produktionsserie og

Overholder følgende europæiske direktiver:

2006/42/EF

Op er produceret i overensstemmelse med følgende standarder eller standardiserede dokumenter:

EN60745

Den tekniske dokumentation findes hos:

Makita International Europe Ltd.

Technical Department,

Michigan Drive, Tongwell,

Milton Keynes, Bucks MK15 8JD, England

30. 1. 2009



Tomoyasu Kato

Direktør

Makita Corporation

3-11-8, Sumiyoshi-cho,

Anjo, Aichi, 446-8502, JAPAN

ΕΛΛΗΝΙΚΑ (Πρωτογενείς οδηγίες)

Περιγραφή γενικής όψης

1. Μπαταρία	11. Προεξοχή	21. Βίδα
2. Κουμπί	12. Μοχλός	22. Πλάκα στοπ
3. Κόκκινη ένδειξη	13. Πριονοκορδέλα	23. Κερί κοπής
4. Ένδειξη άστρου	14. Έδρανο	24. Τροχός
5. Κουμπί ασφάλισης	15. Άνω στήριγμα	25. Χείλος
6. Σκανδάλη-διακόπτης	16. Κάτω στήριγμα	26. Ένδειξη ορίου
7. Επιλογέας ρύθμισης ταχύτητας	17. Τροχός	27. Κατσαβίδι
8. Λάμπα	18. Πιέστε	28. Καπάκι υποδοχής για το καρβουνάκι
9. Σφίξτε	19. Οδηγός πριονοκορδέλας	
10. Ξεσφίξτε	20. Αυλάκωση	

ΠΡΟΔΙΑΓΡΑΦΕΣ

Μοντέλο		DPB180
Μέγιστη ικανότητα κοπής	Στρογγυλό τεμάχιο εργασίας	120 mm διάμετρος
	Ορθογώνιο τεμάχιο εργασίας	120 mm x 120 mm
Ταχύτητα πριονοκορδέλας		1,4 έως 2,7 m/s
Μέγεθος πριονοκορδέλας	Μήκος	1.140 mm
	Πλάτος	13 mm
	Πάχος	0,5 mm
Συνολικές διαστάσεις (Μ x Π x Υ)		523 mm x 231 mm x 313 mm
Καθαρό βάρος		6,5 κιλά
Ονομαστική τάση		D.C. 18 V

- Λόγω του συνεχόμενου προγράμματος που εφαρμόζουμε για έρευνα και ανάπτυξη, τα τεχνικά χαρακτηριστικά στο παρόν έντυπο υπόκεινται σε αλλαγή χωρίς προειδοποίηση.
- Τα τεχνικά χαρακτηριστικά και η μπαταρία ενδέχεται να διαφέρουν από χώρα σε χώρα.
- Βάρος μαζί με την μπαταρία σύμφωνα με τη διαδικασία της ΕΡΤΑ 01/2003

Προοριζόμενη χρήση

ENE009-1

Το εργαλείο προορίζεται για την κοπή ξύλου, πλαστικού και σιδηρούχων υλικών.

Γενικές Προειδοποιήσεις Ασφαλείας Του Ηλεκτρικού Εργαλείου

GEA010-1

⚠ ΠΡΟΕΙΔΟΠΟΙΗΣΗ Διαβάστε όλες τις προειδοποιήσεις ασφαλείας και όλες τις οδηγίες. Αν δεν ακολουθήσετε όλες τις προειδοποιήσεις και τις οδηγίες, υπάρχει κίνδυνος ηλεκτροπληξίας, πυρκαγιάς ή/και σοβαρού τραυματισμού.

Φυλάξτε όλες τις προειδοποιήσεις και τις οδηγίες για μελλοντική αναφορά.

ΠΡΟΕΙΔΟΠΟΙΗΣΕΙΣ ΑΣΦΑΛΕΙΑΣ ΦΟΡΗΤΗΣ ΠΡΙΟΝΟΚΟΡΔΕΛΑΣ ΜΠΑΤΑΡΙΑΣ

GEB065-2

1. Να κρατάτε το ηλεκτρικό εργαλείο από τις μονωμένες λαβές όταν εκτελείτε εργασίες κατά τις οποίες το κοπτικό εξάρτημα μπορεί να έρθει σε επαφή με κρυμμένα καλώδια. Αν τα κοπτικά εξαρτήματα έρθουν σε επαφή με κάποιο ηλεκτροφόρο καλώδιο, τα εκτεθειμένα μεταλλικά μέρη του

ηλεκτρικού εργαλείου θα γίνουν κι αυτά ηλεκτροφόρα και μπορεί να προκληθεί ηλεκτροπληξία στο χειριστή.

2. Χρησιμοποιήστε μόνο τις πριονοκορδέλες που αναφέρονται στην ενότητα “ΠΡΟΔΙΑΓΡΑΦΕΣ”.
3. Πριν από τη λειτουργία, να ελέγχετε προσεκτικά την πριονοκορδέλα για ραγίσματα ή ζημιά. Να αντικαθιστάτε αμέσως μια ραγισμένη ή κατεστραμμένη πριονοκορδέλα.
4. Στερεώστε καλά το τεμάχιο εργασίας. Όταν κόβετε μια δέσμη τεμαχίων εργασίας, βεβαιωθείτε ότι όλα τα τεμάχια εργασίας είναι καλά στερεωμένα μαζί πριν από την κοπή.
5. Αν κόβετε τεμάχια εργασίας που είναι καλυμμένα με λάδι, μπορεί να αποσυνδεθεί ανεπάντιστα η πριονοκορδέλα. Πριν από την κοπή, να σκουπίζετε όλο το παραπανήσιο λάδι από τα τεμάχια εργασίας.
6. Μη χρησιμοποιείτε ποτέ λάδι κοπής ως λιπαντικό κοπής. Να χρησιμοποιείτε μόνο το κερί κοπής της Makita.
7. Μη φοράτε γάντια κατά τη λειτουργία.
8. Να κρατάτε το εργαλείο γερά και με τα δύο χέρια.
9. Μην πλησιάζετε τα χέρια σας σε περιστρεφόμενα μέρη.
10. Όταν κόβετε μέταλλο, να προσέχετε τα θερμά, εκτοξευόμενα θραύσματα.
11. Μην αφήνετε το εργαλείο σε λειτουργία αν δεν το προσέχετε.
12. Μην αγγίζετε την πριονοκορδέλα ή το τεμάχιο εργασίας αμέσως μετά τη λειτουργία του

εργαλείου. Μπορεί να είναι εξαιρετικά θερμά και να προκληθεί έγκαυμα στο δέρμα σας.

ΦΥΛΑΞΤΕ ΑΥΤΕΣ ΤΙΣ ΟΔΗΓΙΕΣ.

⚠ ΠΡΟΕΙΔΟΠΟΙΗΣΗ:

ΜΗΝ επιτρέψετε στη βολικότητα ή στην εξοικειωσή σας με το προϊόν (που αποκτήθηκε από επανειλημμένη χρήση) να αντικαταστήσει την αυστηρή προσήλωση στους κανόνες ασφαλείας του εν λόγω προϊόντος. Η ΛΑΝΘΑΣΜΕΝΗ ΧΡΗΣΗ ή η μη τήρηση των κανόνων ασφαλείας που διατυπώνονται στο παρόν εγχειρίδιο οδηγιών μπορεί να προκαλέσει σοβαρό τραυματισμό.

ΣΗΜΑΝΤΙΚΕΣ ΟΔΗΓΙΕΣ ΑΣΦΑΛΕΙΑΣ

ENC007-9

ΓΙΑ ΤΗΝ ΜΠΑΤΑΡΙΑ

1. Πριν χρησιμοποιήσετε την μπαταρία, διαβάστε όλες τις οδηγίες και τις ενδείξεις προφύλαξης στο (1) φορτιστή μπαταρίας, (2) την μπαταρία και (3) το προϊόν στο οποίο χρησιμοποιείται η μπαταρία.
2. Μην αποσυναρμολογείτε την μπαταρία.
3. Αν ο χρόνος λειτουργίας της μπαταρίας είναι υπερβολικά σύντομος, διακόψτε αμέσως τη λειτουργία. Αν συνεχίσετε, μπορεί να έχει ως αποτέλεσμα τον κίνδυνο υπερθέρμανσης, πιθανών εγκαυμάτων και ακόμη έκρηξης.
4. Αν μπει στα μάτια σας ηλεκτρολύτης, ξεπλύνετε με καθαρό νερό και αναζητήστε αμέσως ιατρική βοήθεια. Μπορεί να χάσετε την όρασή σας.
5. Μην βραχυκυκλώνετε την μπαταρία:
 - (1) Μην αγγίζετε τους ακροδέκτες με αγωγίμο υλικό.
 - (2) Μην αποθηκεύετε την μπαταρία σε δοχείο με άλλα μεταλλικά αντικείμενα, όπως καρφιά, νομίσματα, κτλ.
 - (3) Μην εκθέτετε την μπαταρία σε νερό ή βροχή. Αν βραχυκυκλωθεί η μπαταρία, μπορεί να προκληθεί μεγάλη ροή ηλεκτρικού ρεύματος, υπερθέρμανση, πιθανά εγκαύματα και ακόμη και καταστροφή της μπαταρίας.
6. Μην αποθηκεύετε το εργαλείο και την μπαταρία σε μέρη όπου η θερμοκρασία μπορεί να φτάσει ή να ξεπεράσει τους 50°C (122°F).
7. Μην αποτεφρώνετε την μπαταρία ακόμη κι αν παρουσιάζει σοβαρή ζημιά ή είναι εντελώς φθαρμένη. Η μπαταρία μπορεί να εκραγεί σε φωτιά.
8. Να προσέχετε να μη σας πέσει η μπαταρία και να μη συγκρουστεί με κάποιο αντικείμενο.
9. Μην χρησιμοποιείτε μια μπαταρία που έχει υποστεί βλάβη.
10. Ακολουθήστε τους τοπικούς κανονισμούς σχετικά με την απόρριψη της μπαταρίας.

ΦΥΛΑΞΤΕ ΑΥΤΕΣ ΤΙΣ ΟΔΗΓΙΕΣ.

Συμβουλές για τη διατήρηση της μέγιστης ζωής της μπαταρίας

1. Να φορτίζετε την μπαταρία πριν αποφορτιστεί εντελώς.
Πάντοτε να διακόπτετε τη λειτουργία του εργαλείου και να φορτίζετε την μπαταρία όταν παρατηρείται μειωμένη ισχύ του εργαλείου.
2. Ποτέ μην επαναφορτίζετε μια πλήρως φορτισμένη μπαταρία.
Αν υπερφορτίσετε την μπαταρία, μειώνεται η ωφέλιμη διάρκεια ζωής της.
3. Να φορτίζετε την μπαταρία σε θερμοκρασία δωματίου, δηλαδή στους 10°C έως 40°C (50°F έως 104°F). Αν η μπαταρία είναι θερμή, αφήστε την να ψυχθεί πριν τη φορτίσετε.
4. Φορτίστε την κασέτα μπαταρίας εάν δεν πρόκειται να την χρησιμοποιήσετε για περισσότερους από έξι μήνες.

ΠΕΡΙΓΡΑΦΗ ΛΕΙΤΟΥΡΓΙΑΣ

ΠΡΟΣΟΧΗ:

- Να βεβαιώνετε πάντοτε ότι είναι σβηστό το εργαλείο και αφαιρέσατε την μπαταρία πριν ρυθμίσετε ή ελέγξετε κάποια λειτουργία του εργαλείου.

Τοποθέτηση ή αφαίρεση της μπαταρίας (Εικ. 1)

⚠ ΠΡΟΣΟΧΗ:

- Πάντοτε να απενεργοποιείτε το εργαλείο πριν από την τοποθέτηση ή την αφαίρεση της κασέτας μπαταρίας.
- Κρατήστε το εργαλείο και την κασέτα μπαταρίας γερά κατά την τοποθέτηση ή την αφαίρεση της κασέτας μπαταρίας. Εάν δεν κρατήσετε το εργαλείο και την μπαταρία καλά μπορεί να γλιστρήσουν από τα χέρια σας και να προκληθεί ζημιά στο εργαλείο και στη μπαταρία αλλά και προσωπικός τραυματισμός.

Για να βγάλετε την κασέτα μπαταρίας, σύρετε την από το εργαλείο ολισθαίνοντας το κουμπί στο μπροστινό μέρος της κασέτας.

Για να τοποθετήσετε την κασέτα μπαταρίας, ευθυγραμμίστε τη γλωττίδα της κασέτας μπαταρίας με την εγκοπή στο περίβλημα και ολισθήστε τη στη θέση της. Τοποθετήστε τη έως το τέρμα, δηλαδή έως όπου ασφαλίσει στη θέση και ακουστεί ένας χαρακτηριστικός ήχος "κλικ". Αν μπορείτε να δείτε την κόκκινη ένδειξη στην πάνω πλευρά του κουμπιού, η μπαταρία δεν είναι πλήρως ασφαλισμένη.

⚠ ΠΡΟΣΟΧΗ:

- Πάντοτε να τοποθετείτε πλήρως την κασέτα μπαταρίας για να μη φαίνεται η κόκκινη ένδειξη. Σε αντίθετη περίπτωση, μπορεί να πέσει κατά λάθος από το εργαλείο και να τραυματίσει εσάς ή κάποιον παρευρισκόμενο.
- Μην εισάγετε με τη βία την κασέτα μπαταρίας. Αν η κασέτα δεν ολισθαίνει με ευκολία, δεν την εισαγάγετε σωστά.

Σύστημα προστασίας μπαταρίας (Μπαταρία ιόντων λιθίου με την ένδειξη άστρου) (Εικ. 2)

Οι μπαταρίες ιόντων λιθίου με ένδειξη άστρου είναι εφοδιασμένες με ένα σύστημα προστασίας. Αυτό το σύστημα διακόπτει αυτόματα το ρεύμα στο εργαλείο για να παρατείνεται η διάρκεια ζωής της μπαταρίας. Το εργαλείο θα σταματήσει αυτόματα κατά τη λειτουργία όταν το εργαλείο και/ή η μπαταρία υποστούν τις παρακάτω συνθήκες.

• Υπερφόρτιση:

Το εργαλείο λειτουργεί με τρόπο που προκαλεί την κατανάλωση ασυνήθιστα υψηλής ποσότητας ρεύματος.

Στην περίπτωση αυτή, ελευθερώστε σκανδάλη-διακόπτης του εργαλείου και σταματήστε την εφαρμογή που προκάλεσε την υπερφόρτωση του εργαλείου. Στη συνέχεια, τραβήξτε τη σκανδάλη-διακόπτης ξανά για επανεκκίνηση. Εάν το εργαλείο δεν ξεκινά, η μπαταρία έχει υπερθερμανθεί. Στην περίπτωση αυτή, αφήστε την μπαταρία να κρυώσει πριν τραβήξετε τη σκανδάλη-διακόπτης ξανά.

• Χαμηλή τάση της μπαταρίας:

Η αναπομώνοσα ποσότητα ρεύματος της μπαταρίας είναι πολύ χαμηλή και το εργαλείο δεν θα λειτουργήσει. Σε αυτήν την περίπτωση, αφαιρέστε και επαναφορτίστε τη μπαταρία.

Δράση διακόπτη (Εικ. 3)

ΠΡΟΣΟΧΗ:

• Πριν βάλετε την μπαταρία στο εργαλείο, πάντοτε να ελέγχετε ότι η σκανδάλη-διακόπτης ενεργοποιείται κανονικά και επιστρέφει στη θέση OFF όταν την αφήνετε.

Για να μην πιέσετε τη σκανδάλη-διακόπτη κατά λάθος, παρέχετε ένα κουμπί ασφάλισης.

Για να ξεκινήσετε τη λειτουργία του εργαλείου, πιέστε το κουμπί ασφάλισης από την πλευρά B και πιέστε τη σκανδάλη-διακόπτη.

Για να σταματήσετε το εργαλείο, αφήστε τη σκανδάλη-διακόπτη. Μετά τη χρήση, να πιέξετε πάντοτε προς τα μέσα το κουμπί ασφάλισης από την πλευρά A.

Επιλογέας ρύθμισης ταχύτητας (Εικ. 4)

Εάν περιστρέψετε τον επιλογέα ρύθμισης, μπορείτε να ρυθμίσετε την ταχύτητα του εργαλείου ανεπιόριστα μεταξύ 1,4 m/s και 2,7 m/s. Λαμβάνετε υψηλότερη ταχύτητα όταν περιστρέψετε τον επιλογέα προς την κατεύθυνση του αριθμού 6, ενώ λαμβάνετε χαμηλότερη ταχύτητα όταν περιστρέψετε τον επιλογέα προς την κατεύθυνση του αριθμού 1.

Επιλέξτε τη σωστή ταχύτητα για το τεμάχιο εργασίας που θα κοπεί.

ΠΡΟΣΟΧΗ:

• Ο επιλογέας ρύθμισης ταχύτητας έχει τη δυνατότητα να περιστρέφεται έως το 6 και ξανά στο 1. Μην τον εξαναγκάζετε πέρα από το 6 ή το 1, αλλιώς μπορεί να μη λειτουργεί πλέον η ρύθμιση ταχύτητας.

Άναμμα λάμπας (Εικ. 5)

ΠΡΟΣΟΧΗ:

• Μην ασκείτε δύναμη στη λάμπα επειδή μπορεί να προκληθεί ζημιά σε αυτήν ή να συντομεύσει η διάρκεια λειτουργίας της.

Πιέστε τη σκανδάλη-διακόπτη για να ανάψετε τη λάμπα. Η λάμπα εξακολουθεί να είναι αναμμένη όσο πιέξετε τη σκανδάλη-διακόπτη. Η λάμπα σβήνει 10 έως 15 δευτερόλεπτα αφού αφήσετε τη σκανδάλη.

ΠΑΡΑΤΗΡΗΣΗ:

• Χρησιμοποιήστε ένα στεγνό πανί για να σκουπίσετε τη σκόνη από το φακό της λάμπας. Προσέχετε να μη γρατσουνίσετε το φακό της λάμπας, επειδή μπορεί να μειωθεί η ένταση του φωτισμού.

• Μη χρησιμοποιείτε νεφτί ή βενζίνη για να καθαρίσετε τη λάμπα. Τέτοιοι διαλύτες μπορεί να καταστρέψουν τη λάμπα.

• Όταν υπερφορτώνεται το εργαλείο κατά τη λειτουργία, αναβοσβήνει η λάμπα.

• Όταν λιγοστεύει η χωρητικότητα μπαταρίας που απομένει, αναβοσβήνει η λάμπα.

ΣΥΝΑΡΜΟΛΟΓΗΣΗ

ΠΡΟΣΟΧΗ:

• Να βεβαιώνετε πάντοτε ότι έχετε σβήσει το εργαλείο και έχετε βγάλει την μπαταρία πριν εκτελέσετε οποιαδήποτε εργασία σε αυτό.

Τοποθέτηση ή αφαίρεση της πριονοκορδέλας

ΠΡΟΣΟΧΗ:

• Αν υπάρχει λάδι στην πριονοκορδέλα, η πριονοκορδέλα μπορεί να ολισθήσει ή να αποσυνδεθεί ανεπάντιστα. Πριν τοποθετήσετε την πριονοκορδέλα, σκουπίστε όλο το παραπανήσιο λάδι με ένα πανί.

• Να προσέχετε όταν χειρίζεστε την πριονοκορδέλα, για να μην κοπείτε από τα αιχμηρά άκρα των δοντιών της πριονοκορδέλας.

Περιστρέψτε δεξιόστροφα το μοχλό σύσφιξης της πριονοκορδέλας έως ότου χτυπήσει επάνω στην προεξοχή στο πλαίσιο. (Εικ. 6)

Αντιστοιχήστε την κατεύθυνση του βέλους στην πριονοκορδέλα με αυτήν του βέλους στους τροχούς. (Εικ. 7)

Εισαγάγετε την πριονοκορδέλα μεταξύ των εδράνων του άνω στηρίγματος πρώτα και στη συνέχεια μέσα στο κάτω στηρίγμα. Το πίσω μέρος της πριονοκορδέλας θα πρέπει να βρίσκεται σε επαφή με τα έδρανα στο κάτω τμήμα του άνω στηρίγματος και του κάτω στηρίγματος.

Τοποθετήστε την πριονοκορδέλα γύρω από τους τροχούς και εισάγετε την άλλη πλευρά της πριονοκορδέλας εντός του άνω στηρίγματος και του κάτω στηρίγματος έως ότου το πίσω μέρος της πριονοκορδέλας να έρθει σε επαφή με το κάτω μέρος του άνω στηρίγματος και του κάτω στηρίγματος. (Εικ. 8 και 9)

Τοποθετήστε την πριονοκορδέλα μέσα στην αυλάκωση του οδηγού πριονοκορδέλας.

Κρατήστε την πριονοκορδέλα στη θέση της και περιστρέψτε αριστερόστροφα το μοχλό σύσφιξης της πριονοκορδέλας έως ότου χτυπήσει επάνω στην προεξοχή του πλαισίου. Με αυτόν τον τρόπο ασκείται σωστή τάση στην πριονοκορδέλα. Βεβαιωθείτε ότι η

πριονοκορδέλα είναι σωστά τοποθετημένη μέσα στο προστατευτικό πριονοκορδέλας και γύρω από τους τροχούς.

Αρχίστε και διακόψτε τη λειτουργία του εργαλείου δύο ή τρεις φορές για να βεβαιωθείτε ότι η πριονοκορδέλα γυρίζει σωστά στους τροχούς.

ΠΡΟΣΟΧΗ:

- Ενώ ελέγχετε αν η πριονοκορδέλα γυρίζει σωστά στους τροχούς, διατηρήστε το σώμα σας μακριά από την περιοχή της πριονοκορδέλας.

Για να αφαιρέσετε την πριονοκορδέλα, ακολουθήστε τη διαδικασία τοποθέτησης με αντίστροφη σειρά.

ΠΡΟΣΟΧΗ:

- Όταν περιστρέφεται δεξιόστροφα το μοχλό σύσφιξης της πριονοκορδέλας για να χαλαρώσετε την τάση στην πριονοκορδέλα, να στρέψετε το εργαλείο προς τα κάτω επειδή μπορεί η πριονοκορδέλα να αποσυνδεθεί ανεπάντιστα.

Ρύθμιση της προεξοχής της πλάκας στοπ (Εικ. 10)

Κατά τη συνήθη λειτουργία, προεκτείνεται πλήρως την πλάκα στοπ προς την πλευρά Α.

Όταν η πλάκα στοπ χτυπήσει κάποιο εμπόδιο, όπως ένας τοίχος ή κάτι παρόμοιο, κατά το τέλος της κοπής, ξεσφίξτε τις δύο βίδες και σύρετέ τη στην πλευρά Β όπως απεικονίζεται στην εικόνα.

Αφού σύρετε την πλάκα στοπ, σφίξτε καλά τις δύο βίδες για να την ασφαλίσετε.

ΛΕΙΤΟΥΡΓΙΑ

Είναι σημαντικό να διατηρείτε δύο τουλάχιστον δόντια στην κοπή. **(Εικ. 11)**

Επιλέξτε τη σωστή θέση κοπής για το τεμάχιο εργασίας σας με τη βοήθεια της εικόνας. **(Εικ. 12)**

Να κρατάτε το εργαλείο με τα δύο χέρια, όπως απεικονίζεται στην εικόνα, με την πλάκα στοπ να έρχεται σε επαφή με το τεμάχιο εργασίας και την πριονοκορδέλα να βρίσκεται σε απόσταση από το τεμάχιο εργασίας. **(Εικ. 13)**

Ενεργοποιήστε το εργαλείο και περιμένετε έως ότου η πριονοκορδέλα αποκτήσει την πλήρη ταχύτητά της. Χαμηλώστε αργά την πριονοκορδέλα για την κοπή. Το βάρος του εργαλείου ή η άσκηση μικρής πίεσης στο εργαλείο παρέχουν επαρκή πίεση για την κοπή. Μην ασκείτε δύναμη στο εργαλείο.

Καθώς πλησιάζετε το τέλος της κοπής, μην ασκείτε πλέον πίεση και, χωρίς να ανασκηνώτε το εργαλείο, συγκρατήστε το λίγο προς τα πάνω ώστε να μην πέφτει το βάρος επάνω στο τεμάχιο εργασίας.

ΠΡΟΣΟΧΗ:

- Αν ασκείτε υπερβολική πίεση στο εργαλείο ή εάν στρίβετε την πριονοκορδέλα, θα προκληθεί λοξή κοπή ή βλάβη στην πριονοκορδέλα.
- Όταν δεν χρησιμοποιείτε το εργαλείο για μεγάλο χρονικό διάστημα, βγάλτε την πριονοκορδέλα από το εργαλείο.
- Αν το εργαλείο λειτουργεί συνεχόμενα έως ότου αποφορτιστεί η μπαταρία, αφήστε το εργαλείο σβηστό για 15 λεπτά πριν συνεχίσετε την εργασία με καινούργια μπαταρία.

Λιπαντικό κοπής

Όταν κόβετε μέταλλα, να χρησιμοποιείτε κεριά κοπής της Makita ως λιπαντικό κοπής. Για να εφαρμόσετε το κεριά κοπής στα δόντια της πριονοκορδέλας, θέστε το εργαλείο σε λειτουργία και κόψτε μέσα στο κεριά κοπής, όπως απεικονίζεται στην εικόνα, αφού πρώτα βγάλετε το καπάκι του κεριού κοπής. **(Εικ. 14)**

ΠΡΟΣΟΧΗ:

- Μη χρησιμοποιείτε ποτέ λάδι κοπής και ποτέ μην εφαρμόζετε υπερβολική ποσότητα κεριού στην πριονοκορδέλα. Η πριονοκορδέλα μπορεί να ολισθήσει ή να αποσυνδεθεί ανεπάντιστα.
- Όταν κόβετε χυτοσίδηρο, μη χρησιμοποιείτε καθόλου κεριά κοπής.

ΣΥΝΤΗΡΗΣΗ

ΠΡΟΣΟΧΗ:

- Να βεβαιώνετε πάντοτε ότι το εργαλείο είναι σβηστό και αφαιρέστε την μπαταρία πριν εκτελέσετε οποιαδήποτε εργασία ελέγχου ή συντήρησης σε αυτό.
- Μην χρησιμοποιήσετε βενζίνη, βενζόλη, διαλυτικό, αλκοόλη ή κάτι παρόμοιο. Μπορεί να προκληθεί αποχρωματισμός, παραμόρφωση ή ρωγμές.

Καθαρισμός

Μετά τη χρήση, αφαιρέστε το κεριά, τα θραύσματα και τη σκόνη από το εργαλείο, τα ελαστικά των τροχών και την πριονοκορδέλα.

ΠΡΟΣΟΧΗ:

- Ποτέ μη χρησιμοποιείτε διαλύτες, όπως τερεβινθίνη, βενζίνη, λάκα, κτλ., για να καθαρίσετε τα πλαστικά μέρη.
- Αν υπάρχει κεριά και θραύσματα στα ελαστικά, η πριονοκορδέλα μπορεί να ολισθήσει και να αποσυνδεθεί ανεπάντιστα. Χρησιμοποιήστε ένα στεγνό πανί για να αφαιρέσετε το κεριά και τα θραύσματα από τα ελαστικά.

Αντικατάσταση των ελαστικών των τροχών (Εικ. 15)

Όταν η πριονοκορδέλα ολισθαίνει ή δεν γυρίζει σωστά επειδή τα ελαστικά είναι πολύ φθαρμένα ή το χείλος του ελαστικού στην πλευρά του μοτέρ καταστραφεί, θα πρέπει να αντικαταστήσετε τα ελαστικά.

Αλλαγή καρβουνακίων (Εικ. 16)

Να αφαιρείτε και να ελέγχετε τακτικά τα καρβουνακία. Να αντικαθιστάτε τα καρβουνακία όταν έχουν φθαρεί έως την ένδειξη ορίου. Να διατηρείτε τα καρβουνακία καθαρά και ελεύθερα για να γλιστρούν στις υποδοχές. Πρέπει να αλλάζετε ταυτόχρονα και τα δύο καρβουνακία. Να χρησιμοποιείτε μόνο καρβουνακία ίδιου τύπου. Με τη βοήθεια ενός κατσαβιδιού, βγάλτε τα καπάκια της υποδοχής για τα καρβουνακία. Βγάλτε τα φθαρμένα καρβουνακία, τοποθετήστε τα καινούργια και ασφαλίστε τα καπάκια της υποδοχής για τα καρβουνακία. **(Εικ. 17)** Για να διατηρείται η ΑΣΦΑΛΕΙΑ και η ΑΞΙΟΠΙΣΤΙΑ του προϊόντος, οι εργασίες επισκευής, καθώς και οποιαδήποτε άλλη εργασία συντήρησης ή ρύθμισης, θα πρέπει να εκτελούνται σε εξουσιοδοτημένα κέντρα εξυπηρέτησης της Makita, και πάντοτε με τη χρήση ανταλλακτικών της Makita.

ΠΡΟΑΙΡΕΤΙΚΑ ΑΞΕΣΟΥΑΡ

ENH101-16

ΠΡΟΣΟΧΗ:

- Συνιστάται η χρήση αυτών των αξεσουάρ ή εξαρτημάτων με το εργαλείο της Makita, όπως περιγράφεται στο παρόν εγχειρίδιο. Αν χρησιμοποιήσετε άλλα αξεσουάρ ή εξαρτήματα μπορεί να παρουσιαστεί κίνδυνος για πρόκληση τραυματισμού προσώπων. Να χρησιμοποιείτε τα αξεσουάρ και τα εξαρτήματα μόνο για το σκοπό για τον οποίο προορίζονται.

Αν χρειάζεστε κάποια βοήθεια ή περισσότερες πληροφορίες σχετικά με τα αξεσουάρ αυτά, απευθυνθείτε στο πλησιέστερο κέντρο εξυπηρέτησης της Makita.

- Πριονοκορδέλες
- Εξαγωνικό άλεν 4
- Κερί κοπής
- Αυθεντική μπαταρία και φορτιστής της Makita

ΣΗΜΕΙΩΣΗ:

- Ορισμένα από τα στοιχεία της λίστα μπορεί να περιέχονται στην συσκευασία του εργαλείου ως κανονικά αξεσουάρ. Αυτά ενδέχεται να διαφέρουν από χώρα σε χώρα.

Θόρυβος

ENG905-1

Το σύνθετο σταθμισμένο επίπεδο θορύβου που έχει καθοριστεί σύμφωνα με την EN60745:

Επίπεδο ηχητικής πίεσης (L_{pA}): 81 dB (A)

Επίπεδο ηχητικής ισχύος (L_{WA}): 92 dB (A)

Αβεβαιότητα (K): 3 dB (A)

Να φοράτε ωτοασπίδες.

Δόνηση

ENG900-1

Η συνολική τιμή δόνησης (διανυσματικό άθροισμα τριών αξόνων) που έχει καθοριστεί σύμφωνα με την EN60745:

Κατάσταση λειτουργίας: κοπή μετάλλου

Εκπομπή δόνησης ($a_{h,CM}$): 2,5 m/s² ή λιγότερο

Αβεβαιότητα (K): 1,5 m/s²

ENG901-1

- Η δηλωθείσα τιμή των παραγομένων κραδασμών έχει καταμετρηθεί σύμφωνα με την τυποποιημένη μέθοδο δοκιμασίας και μπορεί να χρησιμοποιηθεί για την σύγκριση ενός εργαλείου με ένα άλλο.
- Η δηλωθείσα τιμή των παραγομένων κραδασμών μπορεί επίσης να χρησιμοποιηθεί για μια προκαταρκτική αξιολόγηση της έκθεσης στους κραδασμούς.

ΠΡΟΕΙΔΟΠΟΙΗΣΗ:

- Η εκπομπή κραδασμών κατά τη διάρκεια της πραγματικής χρήσης του ηλεκτρικού εργαλείου μπορεί να διαφέρει από τη δηλωθείσα τιμή των εκπομπών, ανάλογα με τον τρόπο με τον οποίο χρησιμοποιείται το εργαλείο.
- Φροντίστε να λάβετε τα μέτρα ασφαλείας που απαιτούνται για την προστασία του χρήστη που βασίζονται σε μια εκτίμηση της έκθεσης σε πραγματικές συνθήκες χρήσης (λαμβάνοντας υπόψη όλα τα μέρη του κύκλου λειτουργίας, όπως είναι οι περιπτώσεις κατά τις οποίες το εργαλείο είναι απενεργοποιημένο και όταν λειτουργεί στο ρελαντί επιπρόσθετως του χρόνου κατά τον οποίο το εργαλείο βρίσκεται σε χρήση).

Για Ευρωπαϊκές χώρες μόνο

ΕΚ-Δήλωση συμμόρφωσης

Η Εταιρία Makita ως υπεύθυνος κατασκευαστής, δηλώνει ότι το παρακάτω μηχάνημα ή μηχανήματα της Makita:

Ονομασία μηχανήματος:

Φορητή πριονοκορδέλα μπαταρίας

Αρ. Μοντέλου/ Τύπος: DPB180

αποτελεί παραγωγή σε σειρά και

Συμμορφώνεται με τις ακόλουθες Ευρωπαϊκές

Οδηγίες:

2006/42/EK

Και κατασκευάζεται σύμφωνα με τα παρακάτω πρότυπα ή τυποποιημένα έγγραφα:

EN60745

Τα τεχνικά έγγραφα διατηρούνται από το:

Makita International Europe Ltd.

Technical Department,

Michigan Drive, Tongwell,

Milton Keynes, Bucks MK15 8JD, England

30. 1. 2009



Tomoyasu Kato

Διευθυντής

Makita Corporation

3-11-8, Sumiyoshi-cho,

Anjo, Aichi, 446-8502, JAPAN

TÜRKÇE (Orijinal talimatlar)

Genel görünüm

1. Akü	11. Çıkıntı	21. Vida
2. Düşme	12. Mandal	22. Durdurma plakası
3. Kırmızı gösterge	13. Bıçak	23. Kesme balmumu
4. Yıldız işareti	14. Yatak	24. Lastik
5. Kilitleme düğmesi	15. Üst tutucu	25. Kenar
6. Açma/kapama düğmesi	16. Alt tutucu	26. Sınır çizgisi
7. Hız ayar düğmesi	17. Disk	27. Tornavida
8. Lamba	18. Bastırın	28. Fırça yuvası kapağı
9. Sıkar	19. Bıçak kılavuzu	
10. Gevşetir	20. Yuva	

TEKNİK ÖZELLİKLER

Model		DPB180
Maks. kesme kapasitesi	Yuvarlak işparçası	120 mm çapında
	Dikdörtgen işparçası	120 mm x 120 mm
Bıçak hızı		1,4 - 2,7 m/sn
Bıçak boyutu	Uzunluk	1.140 mm
	Genişlik	13 mm
	Kalınlık	0,5 mm
Genel boyutlar (U x G x Y)		523 mm x 231 mm x 313 mm
Net ağırlık		6,5 kg
Anma gerilimi		D.C. 18 V

- Sürekli yapılan araştırma ve geliştirmelerden dolayı, burada belirtilen özellikler önceden bildirilmeksizin değiştirilebilir.
- Özellikler ve akü ülkeye göre farklılıklar gösterebilir.
- EPTA Prosedürü 01/2003 uyarınca ağırlık (akü dahil)

Kullanım amacı ENE009-1
Bu makine ahşap, plastik ve demir malzemelerin kesilmesi için tasarlanmıştır.

Genel Elektrikli Aletler Güvenlik Uyarıları

GEA010-1

⚠ UYARI Tüm güvenlik uyarılarını ve tüm talimatları okuyun. Verilen uyarılara ve talimatlara uyulmaması elektrik çarpmasına, yangına ve/veya ciddi yaralanmalara yol açabilir.

Tüm uyarıları ve talimatları ilerde başvurmak üzere saklayın.

AKÜLÜ PORTATİF ŞERİT TESTEREYLE İLGİLİ GÜVENLİK UYARILARI

GEB065-2

1. Kesici parçanın, gömülü elektrik kablolarına temas edebileceği uygulamalarda makineyi yalıtılmış saptarından tutun. Kesici parçaların elektrik akımı bulunan kablolarla temas etmesi halinde akım, iletken metal parçalar üzerinden operatöre iletilerek, elektrik çarpmasına yol açabilir.
2. Yalnızca "TEKNİK ÖZELLİKLER" bölümü altında listelenen bıçakları kullanın.

3. Kullanmadan önce bıçakta çatlak veya hasar olup olmadığını dikkatlice kontrol edin. Çatlak veya hasarlı bıçakları derhal değiştirin.
4. İşparçasını sağlam şekilde sabitleyin. Birden fazla parçadan oluşan bir malzeme grubunu kesmeye başlamadan önce, tüm parçaların birbirine sıkıca sabitlendiğinden emin olun.
5. Yağ kaplı işparçaları bıçağın beklenmedik şekilde kaymasına yol açabilir. Kesme işlemine başlamadan önce, işparçasının üzerindeki fazla yağı temizleyin.
6. Kesme yağını kesinlikle kesme işleminde yağlayıcı olarak kullanmayın. Yalnızca Makita kesme balmumu kullanın.
7. Çalışma sırasında eldiven kullanmayın.
8. Makineyi iki elinizle sıkıca kavrayın.
9. Ellerinizi hareketli parçalardan uzak tutun.
10. Metal keserken sıçrayan sıcak metal çapaklarına dikkat edin.
11. Makineyi çalışır durumda bırakıp uzaklaşmayın.
12. Aşırı sıcak olabileceğinden, çalışmanız biter bitmez bıçağa veya iş parçasına dokunmayın, aksi takdirde yanıklar meydana gelebilir.

BU TALİMATLARI SAKLAYIN.

⚠ UYARI:
Ürünü kullanırken defalarca kullanmanın getirdiği rahatlık ve tanıdıklık duygusunu, güvenlik kurallarına sıkı sıkıya bağlı kalmanızı önlemesine İZİN VERMEYİN. YANLIŞ KULLANIM veya bu kullanım

kılavuzunda belirtilen güvenlik kurallarına uyulmaması ciddi yaralanmalara neden olabilir.

ÖNEMLİ GÜVENLİK TALİMATLARI

ENC007-9

AKÜ İÇİN

1. Aküyü kullanmaya başlamadan önce (1) akü şarj cihazı, (2) akü ve (3) akünün takıldığı ürüne ilişkin tüm talimatları ve uyarıları okuyun.
2. Aküyü sökmeye çalışmayın.
3. Çalışma süresinde önemli bir kısalma gözlerseniz, hemen çalışmayı bırakın. Bu durum aşırı ısınmaya, yangına ve hatta patlamaya yol açabilir.
4. Elektrolit (akü sıvısı) gözlerinize temas ederse, bol temiz suyla yıkayın ve derhal bir doktora başvurun. Elektrolit körlüğe neden olabilir.
5. Akünün kısa devre yapmasını önleyin:
 - (1) Herhangi bir iletken nesne ile akü uçlarına dokunmayın.
 - (2) Aküyü çivi, madeni para vb. metal nesnelerin bulunduğu bir yerde saklamayın.
 - (3) Aküyü suya veya yağmura maruz bırakmayın. Aküde oluşan kısa devre büyük bir elektrik akımına, aşırı ısınmaya, yangına ve aletin bozulmasına yol açabilir.
6. Aleti ve aküyü 50°C (122°F) sıcaklığa ulaşabilecek veya bu değeri aşabilecek ortamlarda saklamayın.
7. Önemli ölçüde hasar görmüş veya tümüyle tükenmiş olsa da aküyü kesinlikle yakarak imha etmeye çalışmayın. Akü ateşe atıldığında patlayabilir.
8. Akünün düşmemesine ve darbe almamasına dikkat edin.
9. Hasarlı bir aküyü kesinlikle kullanmayın.
10. Akünün atılması sırasında ilgili yönetmeliklere uyun.

BU TALİMATLARI SAKLAYIN.

Akünün öngörülen maksimum ömür dolana kadar kullanılması için öneriler

1. Aküyü tamamen boşalmasını beklemeden şarj edin. Aletin çalışma gücünde bir azalma gördüğünüzde, mutlaka çalışmayı bırakıp, aküyü şarj edin.
2. Tam olarak şarj edilmiş bir aküyü tekrar şarj etmeyin. Akünün normalden fazla şarj edilmesi ömrünü kısaltır.
3. Aküyü 10°C - 40°C (50°F - 104°F) değerlerini aşmayan oda sıcaklığında şarj edin. Akü ısınmışsa, şarj etmeden önce soğumasını bekleyin.
4. Uzun (altı ayı aşkın) bir süredir kullanmıyorsanız aküyü şarj edin.

KULLANIMA İLİŞKİN TANIMLAR

DİKKAT:

- Makine üzerinde ayar veya başka bir kontrol işlemi yapmadan önce makinenin kapalı ve aküsünün çıkartılmış olduğundan emin olun.

Akünün takılması ve sökülmesi (Şekil 1)

⚠ DİKKAT:

- Aküyü takmadan ve çıkarmadan önce mutlaka makineyi kapalı konuma getirin.
 - **Aküyü takarken ve çıkartırken makineyi ve aküyü sıkıca tutun.** Aksi takdirde, makine ve akü elinizden kayarak düşebilir ve neticesinde makine ve akü hasarları ve yaralanmalar meydana gelebilir.
- Aküyü çıkarmak için akünün ön tarafında bulunan düğmeye bastırın ve aküyü çekerek makineden çıkartın. Aküyü takmak için aküdeki dili makine gövdesindeki girintiyile aynı hizaya getirin ve aküyü iterek yerine oturmasını sağlayın. Akünün tam yerine oturduğuna klik sesinden anlayabilirsiniz. Düğmenin üst tarafında bulunan kırmızı göstereyi görüyorsanız, akü tam olarak kilitlememiştir.

⚠ DİKKAT:

- Kırmızı gösterge tamamen kayboluncaya kadar aküyü itin. Aksi takdirde, akü makineden kayıp düşebilir ve operatörün veya çevredeki kişilerin yaralanmasına neden olabilir.
- Aküyü zorlayarak takmaya çalışmayın. Akünün makineye rahatça takılamaması, yanlış takıldığını gösterir.

Akü koruma sistemi (Yıldız işaretli lityum akülerde) (Şekil 2)

Yıldız işaretli lityum akülerde koruma sistemi mevcuttur. Bu sistem, akü ömrünü uzatmak için makineye beslenen gücü otomatik olarak keser.

Makine ve/veya akü için aşağıda sıralanan durumlardan birinin geçerli olması halinde, çalışmayı otomatik olarak durdurur:

- Aşırı yüklenme: Makine anormal yüksek akım çekecek şekilde çalışır. Böyle bir durumda, makine üzerindeki açma/kapama düğmesinden elinizi çekin ve makinenin aşırı yüklenmesine neden olan uygulamayı durdurun. Ardından, yeniden başlatmak için açma/kapama düğmesine tekrar basın. Makine çalışmıyorsa, akü aşırı ısınmıştır. Böyle bir durumda, açma/kapama düğmesine tekrar basmadan önce akünün soğumasını bekleyin.
- Düşük akü gerilimi: Kalan akü kapasitesi çok düşüktür ve makine çalışmıyordur. Böyle bir durumda, aküyü çıkartın ve şarj edin.

Açma/kapatma (Şekil 3)

DİKKAT:

- Aküyü makineye takmadan önce, açma/kapama düğmesinin kusursuz çalışıp çalışmadığını ve açma/kapama düğmesi bırakıldığında makinenin "KAPALI" konuma dönüp dönmediğini kontrol edin.
- Açma/kapama düğmesine yanlışlıkla basılmasını önlemek için, makinede bir kilitleme düğmesi bulunur.

Makineyi çalıştırmak için kilitleme düğmesini B tarafından basarak açın ve ardından açma/kapama düğmesine basın.

Makineyi durdurmak için parmağınızı açma/kapama düğmesinden çekin. İşiniz bittikten sonra, kilitleme düğmesini A tarafından bastırarak kilitleti konuma getirin.

Hız ayar düğmesi (Şekil 4)

Makinenin hızı, ayar düğmesi çevrilerek 1,4 m/sn ila 2,7 m/sn arasında herhangi bir değere ayarlanabilir. Daha yüksek bir hız elde edilmesi için düğmenin 6 yönünde, daha düşük bir hız için ise düğmenin 1 yönünde döndürülmesi gerekir.

Kesilecek işparçasına uygun hızı seçin.

DİKKAT:

- Hız ayar düğmesi, 6 konumuna kadar yükseltilebilir ve geri 1 konumuna düşürülebilir. Düğmeyi 6 konumunun üzerine ve 1 konumunun altına zorlamayın, aksi takdirde hız ayar işlevi doğru çalışmayabilir.

Lambanın kaldırılması (Şekil 5)

DİKKAT:

- Lambaların darbe almasına izin vermeyin; aksi takdirde lamba hasar görebilir veya kullanım ömrü kısalmalıdır. Lambanın yanması için açma/kapama düğmesine basın. Lamba, açma/kapama düğmesine basıldıgı sürece yanar. Lamba, açma/kapama düğmesinin bırakılmasından sonra 10-15 saniye içerisinde söner.

NOT:

- Lambanın lensindeki kiri silmek için kuru bir bez kullanın. Lensin çizilmemesine dikkat edin, aksi takdirde lambanın aydınlatma gücü azalır.
- Lambayı temizlemek için tiner veya benzin kullanmayın. Bu tür çözücüler lambaya zarar verebilir.
- Makine çalışma sırasında aşırı yüklenirse, lambadan çıkan ışık titremeye başlar.
- Aküde kalan güç seviyesi azaldığında da lambadan çıkan ışık titremeye başlar.

KURULUM

DİKKAT:

- Makine üzerinde herhangi bir işlem yapmadan önce makinenin kapalı ve aküsünün çıkartılmış olduğundan emin olun.

Bıçak takılması ve sökülmesi

DİKKAT:

- Bıçağın üzerinde yağ bulunması, bıçağın beklenmedik şekilde çıkmasına yol açabilir. Bıçağı takmadan önce üzerindeki fazla yağı bir bezle iyice temizleyin.
- Bıçak dişlerinin keskin tarafı elinizi kesmemesi için, bıçağı tutarken dikkatli olun.

Bıçak sıkıştırma mandalını, çerçevedeki çıkıntıya değinceye kadar saat yönünde çevirin. (Şekil 6)

Bıçak üzerindeki ok yönünün, diskler üzerindeki ok yönüyle aynı hizaya getirin. (Şekil 7)

Bıçağı önce üst tutucu yatakları arasına ve ardından alt tutucuya yerleştirin. Bıçağın sırtı, üst ve alt tutucuların alt bölümündeki yataklara temas etmemelidir.

Bıçağı disklerin etrafına yerleştirin ve bıçağın diğer tarafını, bıçak sırtı üst tutucu ve alt tutucunun alt

bölümüyle temas edinceye kadar, üst tutucu ile alt tutucu arasına geçirin. (Şekil 8 ve 9)

Bıçağı bıçak kılavuzundaki yuvaya yerleştirin.

Bıçağı yerinde tutarak bıçak sıkıştırma mandalını, çerçevedeki çıkıntıya değinceye kadar saat yönünün tersine çevirin. Bu işlem bıçağa gerekli gerginliği kazandırır. Bıçağın, bıçak kılavuzları arasında ve disklerin etrafında doğru konumda olduğundan emin olun.

Makineyi iki veya üç defa çalıştırıp durdurarak bıçağın diskler üzerinde doğru şekilde dönüp dönmediğini kontrol edin.

DİKKAT:

- Bıçağın diskler üzerinde doğru şekilde dönüp dönmediğini kontrol ederken, vücudunuzu bıçak alanından uzak tutun.

Bıçağı sökmek için, takma işlemlerini ters sırayla uygulayın.

DİKKAT:

- Bıçağı gevşetmek için bıçak sıkıştırma mandalını saat yönünde çevirdiğinizde bıçak beklenmedik bir şekilde atabileceği için makineyi aşağı doğru tutun.

Durdurma plakası çıkıntısının ayarlanması (Şekil 10)

Normal çalışma sırasında, durdurma plakasını sonuna kadar A tarafına doğru çekin.

Kesme işleminin sonunda durdurma plakası duvar veya buna benzer bir engelleme çarparek olursa, iki vidayı sökün ve plakayı şekilde gösterildiği gibi B yönüne kaydırın.

Durdurma plakasını kaydırdıktan sonra, iki vidayı tekrar sıkarak plakayı sabitleyin.

ÇALIŞTIRMA

Kesme sırasında en az iki bıçak dişinin malzemenin üzerinde bulunması önemlidir. (Şekil 11)

Şekle bakarak işparçanız için uygun kesme konumunu seçin. (Şekil 12)

Makineyi, şekilde gösterildiği gibi, durdurma plakası iş parçasıyla temas edecek ve bıçak işparçasına dokunmayacak şekilde iki elinizle tutun. (Şekil 13)

Makineyi çalıştırın ve bıçak tam hızına ulaşıncaya kadar bekleyin. Bıçağı yavaşça kesme konumuna indirin.

Makinenin kendi ağırlığı veya makinenin hafifçe bastırılması, kesme işlemi sırasında gerekli basıncın oluşturulması için yeterli olacaktır. Makineyi zorlamayın. Kesme işlemi bitmek üzereyken, basıncı azaltın ve makinenin işparçası üzerine düşmesini engellemek için, makineyi tümüyle olmasa da, hafifçe yukarı doğru kaldırın.

DİKKAT:

- Makineye aşırı basıncı uygulamak veya bıçağı bükmek, eğri kesimlere veya bıçağın hasar görmesine yol açabilir.
- Makineyi uzun bir süre kullanmayacaksınız, bıçağı makineden sökün.
- Makine, akü bitene kadar sürekli olarak çalıştırılmışsa, dolu bir akü ile yeniden çalışmaya başlamadan önce 15 dakika kadar bekleyin.

Kesme yağı

Metal keserken, kesme yağı olarak Makita kesme balmumu kullanın. Kesme balmumunu bıçak dişlerine

uygulamak için, makineyi çalıştırın ve balmumunun kapağını çıkardıktan sonra, balmumunu şekilde gösterildiği gibi uygulayın. (Şekil 14)

DİKKAT:

- Bıçağa kesinlikle kesme yağı veya aşırı derecede balmumu uygulamayın. Aksi takdirde, bıçak beklenmedik bir şekilde kayabilir.
- Dökme demir keserken, kesme balmumu kullanmayın.

BAKIM

DİKKAT:

- Makinede herhangi bir kontrol veya bakım işlemine başlamadan önce makinenin kapalı ve aküsünün çıkartılmış olduğundan emin olun.
- Kesinlikle gazolin, benzin, tiner, alkol veya benzeri bir madde kullanmayın. Aksi takdirde renk bozulması, deformasyon veya çatlaklar meydana gelebilir.

Temizleme

Kullanımdan sonra makinenin, disk lastiklerinin ve bıçağın üzerindeki balmumu, talaş ve toz gibi artıkları temizleyin.

DİKKAT:

- Plastik parçaları temizlemek için asla terebentin, benzin, vernik vb. gibi çözücü maddeler kullanmayın.
- Lastiklerin üzerindeki balmumu ve talaş artıkları bıçağın beklenmedik şekilde kaymasına ve atmasına yol açabilir. Lastiklerdeki balmumunu ve talaşı temizlemek için kuru bir bez kullanın.

Disklerdeki lastiklerin değiştirilmesi (Şekil 15)

Eskimiş lastikler veya motor tarafındaki lastik kenarlarının hasar görmüş olması nedeniyle bıçak kayıyor veya düzgün yürümüyorsa, lastiklerin değiştirilmesi gerekir.

Karbon fırçaların değiştirilmesi (Şekil 16)

Karbon fırçaları düzenli olarak çıkartın ve kontrol edin. Sınır çizgisine kadar aşınan karbon fırçaları değiştirin. Karbon fırçaları yuvarının içinde kayabilecek şekilde temiz tutun. Her iki karbon fırça aynı anda değiştirilmelidir. Mutlaka aynı tipte fırçalar takın. Fırça yuvalarını açmak için bir tomavida kullanın. Aşınmış karbon fırçaları çıkartın ve yenilerini taktıktan sonra fırça yuvalarını geri vidalayın. (Şekil 17) Ürünün EMNİYETLİ ve GÜVENİLİR durumda kalmasını sağlamak için tüm onarımlar, bakım ve ayarlar Makita yetkili servisleri veya fabrika servis merkezleri tarafından Makita yedek parçaları kullanılarak yapılmalıdır.

OPSİYONEL AKSESUARLAR

⚠ DİKKAT:

- Bu kullanım kılavuzunda tanıtilan Makita marka makineyle aşağıdaki aksesuarların ve parçaların kullanılması önerilir. Bunların dışında başka aksesuarların veya parçaların kullanılması yaralanmalara yol açabilir. Aksesuarlar ve parçalar doğru şekilde ve öngörüldükleri işlevler için kullanılmalıdır.

Aksesuarlara ilişkin daha ayrıntılı bilgi almak için size en yakın yetkili Makita servisine başvurabilirsiniz.

- Şerit testere bıçakları

- 4 numara lokma anahtarı
- Kesme balmumu
- Orijinal Makita akü ve şarj cihazı

NOT:

- Listedeki bazı parçalar makineyle birlikte standart aksesuar olarak verilebilir. Ürünle verilen aksesuarlar ülkeden ülkeye farklılıklar gösterebilir.

Gürültü

ENG905-1

EN60745 uyarınca belirlenen tipik A ağırlıklı gürültü seviyesi:

Ses basıncı seviyesi (L_{pA}): 81 dB (A)

Ses gücü seviyesi (L_{WA}): 92 dB (A)

Belirsizlik (K): 3 dB (A)

Koruyucu kulaklık takın.

Titreşim

ENG900-1

EN60745'e göre belirlenen toplam titreşim değeri (üç eksenli vektörel toplam):

Çalışma modu: metal kesme

Titreşim emisyonu ($a_{h,CM}$): 2,5 m/s² veya daha düşük

Belirsizlik (K): 1,5 m/s²

ENG901-1

- Belirtilen titreşim emisyonu değeri, standart test yöntemine göre ölçülmüştür ve makinenin diğer makinelerle karşılaştırılması için kullanılabilir.
- Belirtilen titreşim emisyonu değeri ayrıca maruziyetin ön değerlendirilmesinde de kullanılabilir.

⚠ UYARI:

- Elektrikli aletin gerçek kullanımı sırasında ortaya çıkacak titreşim emisyonu, aletin kullanılma şekline bağlı olarak belirtilen emisyon değerinden farklı olabilir.
- Gerçek kullanım koşullarındaki maruziyeti tahmin ederek (örneğin, aletin açılma süresine ek olarak kapalı konuma getirildiği ve rölantide çalıştığı süreler gibi çalışma döngüsünün tüm bileşenlerini dikkate alın), kullanıcıyı korumak için gerekli güvenlik önlemlerinin alındığından emin olun.

Yalnızca Avrupa ülkeleri için

ENH101-16

AT Uygunluk Beyanı

Makita Corporation, sorumlu üretici firma olarak, Makita marka makine/makineler ile ilgili şu hususları beyan eder:

Makinenin Adı:

Akülü Portatif Şerit Testere

Model Numarası / Tipi: DPB180

seri üretimdir ve

Şu Avrupa Yönergelerine uygundur:

2006/42/EC

Ve şu standartlara veya standartlaştırılmış belgelere uygun olarak üretilmiştir:

EN60745

Teknik dokümanlar şu firma tarafından saklanmaktadır:
Makita International Europe Ltd.
Technical Department,
Michigan Drive, Tongwell,
Milton Keynes, Bucks MK15 8JD, İngiltere

30. 1. 2009



Tomoyasu Kato
Müdür
Makita Corporation
3-11-8, Sumiyoshi-cho,
Anjo, Aichi, 446-8502, JAPAN

Makita Corporation
Anjo, Aichi, Japan

www.makita.com

885296A999

ALA