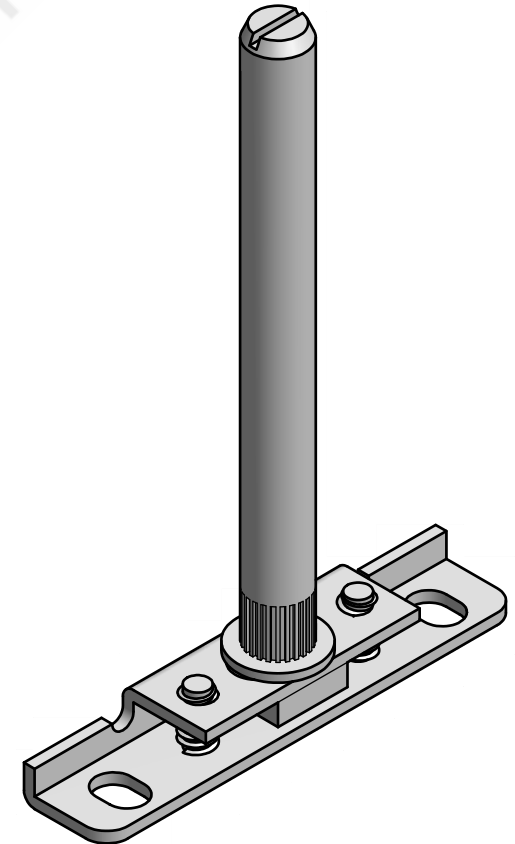
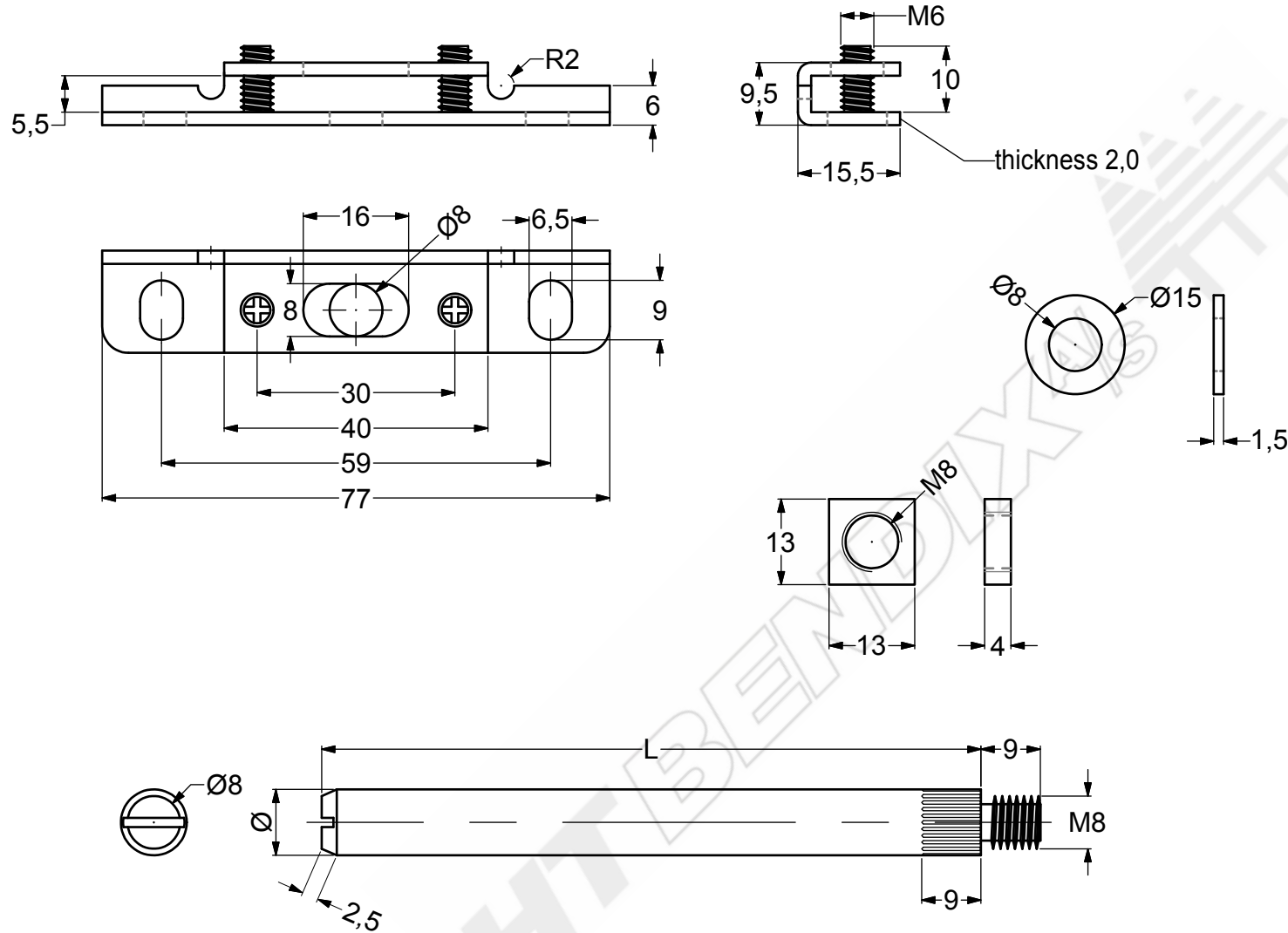


Item no.	Ø	L
312943	10	100

General tolerances

Unless otherwise stated
according to
ISO 2768-1 class m



HT BENDIX A/S 

Item: **Shelf support vario**

Material: **Metal**

Surface finish: **Zinc plated**

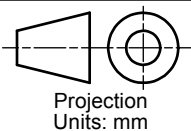
Creation date: 2013/9/3

Last changed:

Ref.: Henk

Page 1 / 1

Drawing no.



006-27-00