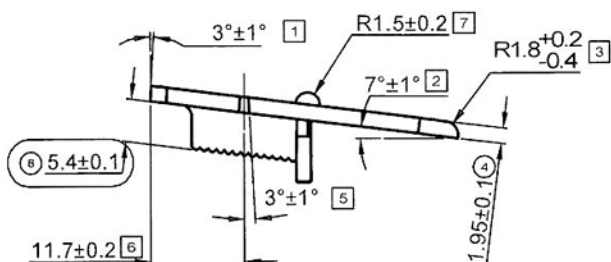
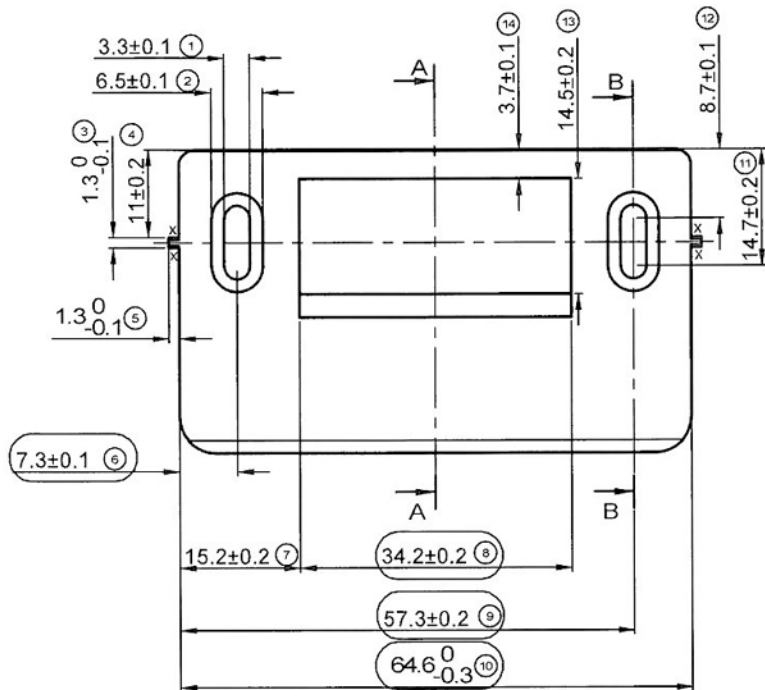


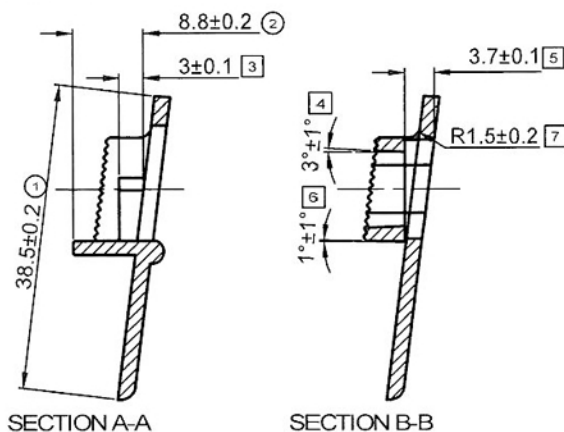
No.1-8 DIM



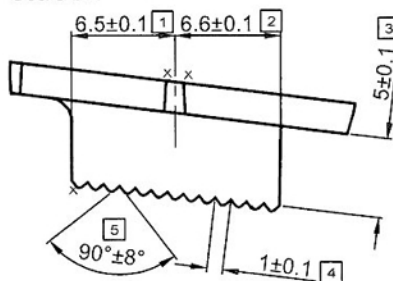
No.2-14 DIM



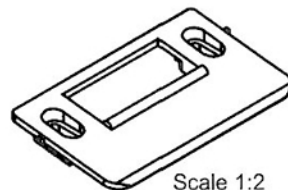
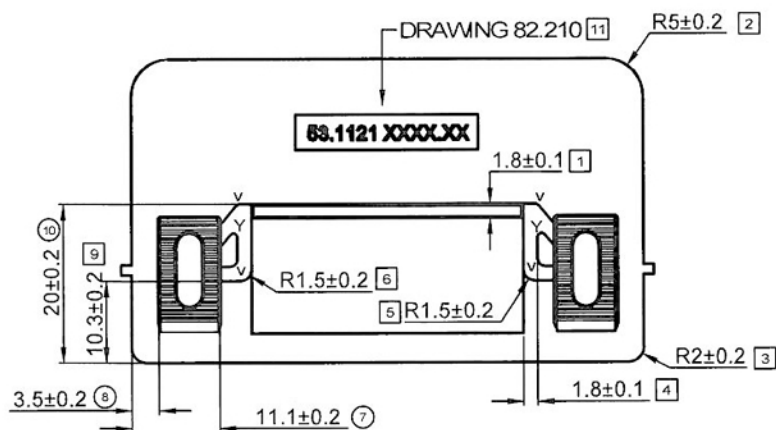
No.3-7 DIM



No.5-5 DIM  
Scale 2:1



No.4-11 DIM



x = R0.2  
v = R1  
z = R0.5

Title	Requir. spec.	118	Scale	1:1
	Date		Date	14-08-2007
RACIONEL ESPAGNOLETTE STRIKING PLATE COVER	Material	ZnAl4 OR ZAMAK 3	Design.	IDE
	Weight		App. by.	IDE
	04		Project no.	01
	03		Part. no.	53.1121
	02		Edition No.	01
	Ecrit Week/year	Sign. Rev.		