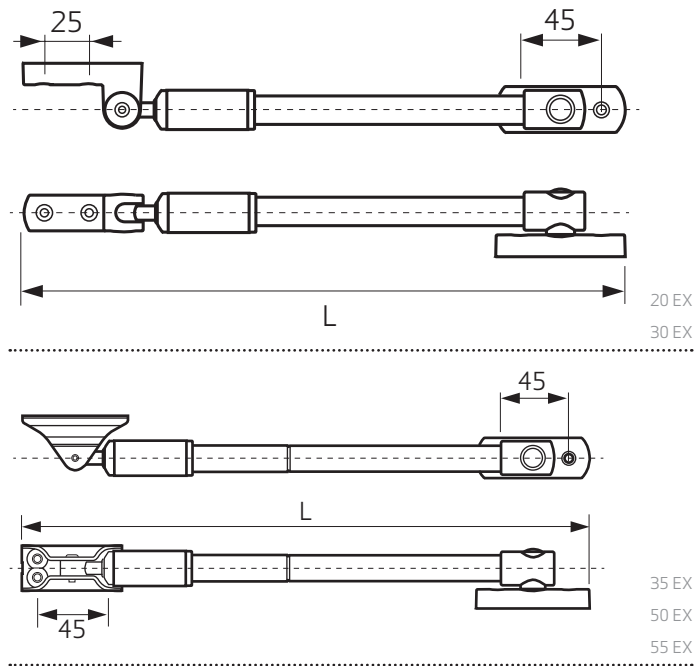



**AXA HOME SECURITY**
**EN**

# Telescopic stay 20/30/35/50/55 EX

## Information

You have just acquired a high quality AXA product. The instructions below must be followed closely in order to effectively install and operate this product.



### Application

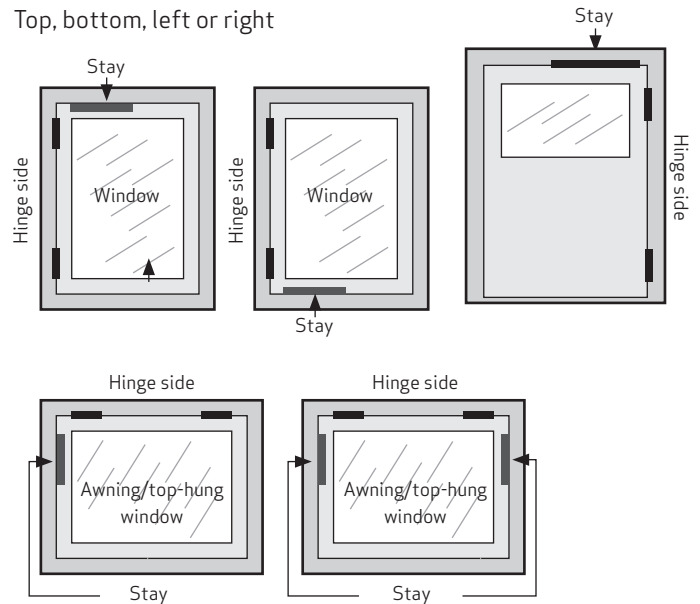
Outward opening doors and windows.

### Installation tools (recommended):

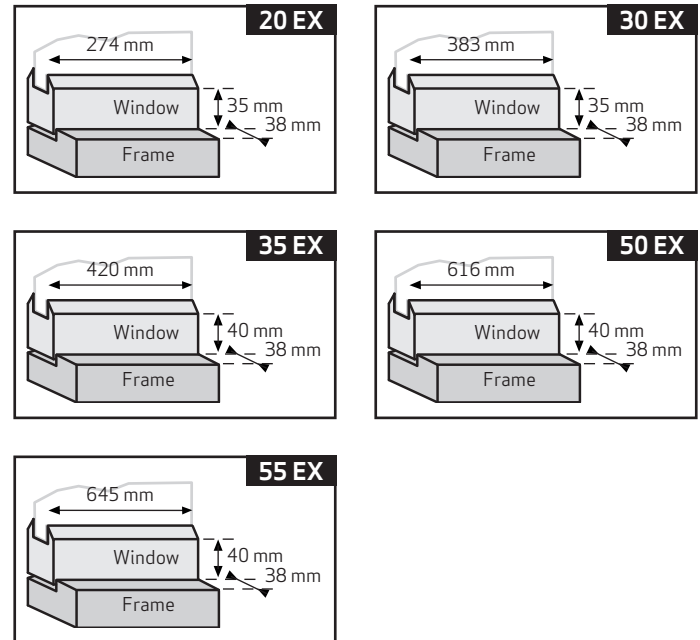
Tape measure, (battery) drill, screwdriver, Ø 2 mm drill bit, bradawl/pencil.

### Installation location

Top, bottom, left or right



### Minimum installation space required



Type	Max. width of case-ment window	Maximum height of awning window	Maximum width of awning window		Maximum door width	Minimum/Maximum product length L
			max. 600 mm	max. 1200 mm		
20 EX	400 mm	400 mm	1 piece	2 pieces	n/a	239 mm / 303 mm
30 EX	600 mm	600 mm	1 piece	2 pieces	n/a	348 mm / 473 mm
35 EX	800 mm	800 mm	1 piece	2 pieces	800 mm	375 mm / 533 mm
50 EX	1200 mm	n/a	n/a	n/a	1200 mm	516 mm / 767 mm
55 EX	1200 mm	n/a	n/a	n/a	1200 mm	545 mm / 885 mm



# Telescopic stay 20/30/35/50/55 EX

## User manual

### Opening

Unlock and open the window (to a maximum of nearly 90°) Set the braking resistance of the telescopic window stay once to the correct braking resistance. Turning the rotating knob (3) to the right will increase the braking resistance. Turning it to the left will reduce the braking resistance.

### Close

Push the window shut. You will feel some resistance, but you can push against it. You don't need to loosen the telescopic window stay. Lock the window.

## Installation manual

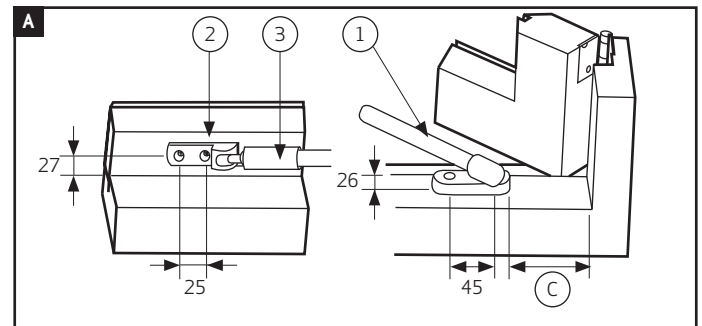
The instructions below must be followed closely in order to effectively install and operate this product.

We recommend pre-drilling the screw holes.

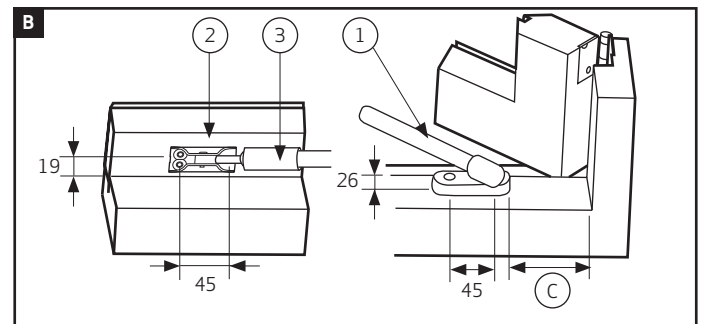
- 1 Keep the window shut during installation.
- 2 Place window casing plate (1) at least at a distance of (C) from the casement corner on the hinge side (figures A and B). Ensure that the stay is horizontal and parallel to the frame.
- 3 Prick the screw holes on the window casing plate.
- 4 Then screw the stay to the frame with two 4.0 x 40 mm screws (pre-drill Ø 2 mm).
- 5 Push the telescopic stay in fully and now place the window casing corner (2) onto the window (figure A for 20 EX en 30 EX, figure B for 35 EX, 50 EX and 55 EX).
- 6 Prick the screw holes on the window casing corner.
- 7 Then screw the stay to the window with two or four 4.0 x 30 mm screws (pre-drill Ø 2 mm).
- 8 Set the brake once to the correct braking resistance (3).



**Don't leave the window open with high winds.**



Assembly holes (in mm) apply for left, right, top and bottom.  
Note the hinge side.



Type	C in mm	Number of screws in window casing plate	Number of screws in window plate
20 EX	35	2	2
30 EX	35	2	2
35 EX	45	2	4
50 EX	100	2	4
55 EX	100	2	4