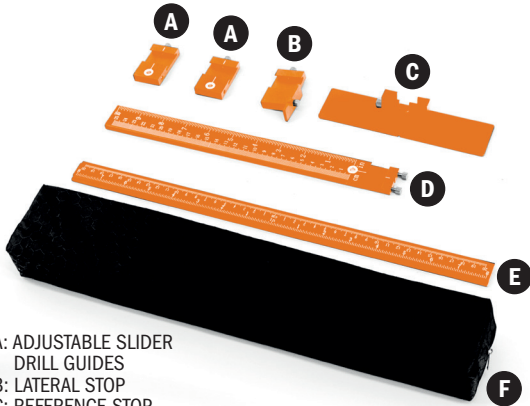


# CHG-001

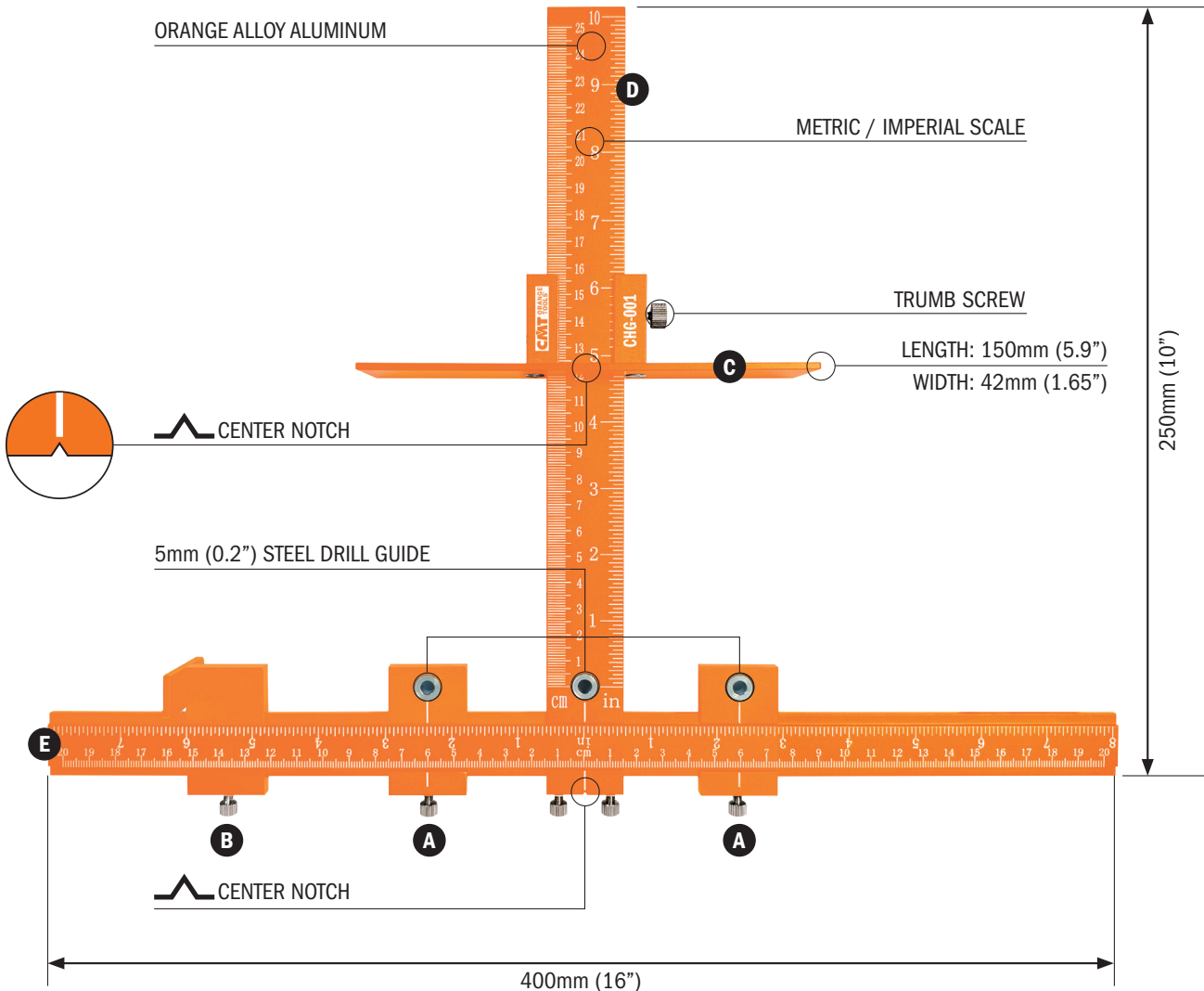
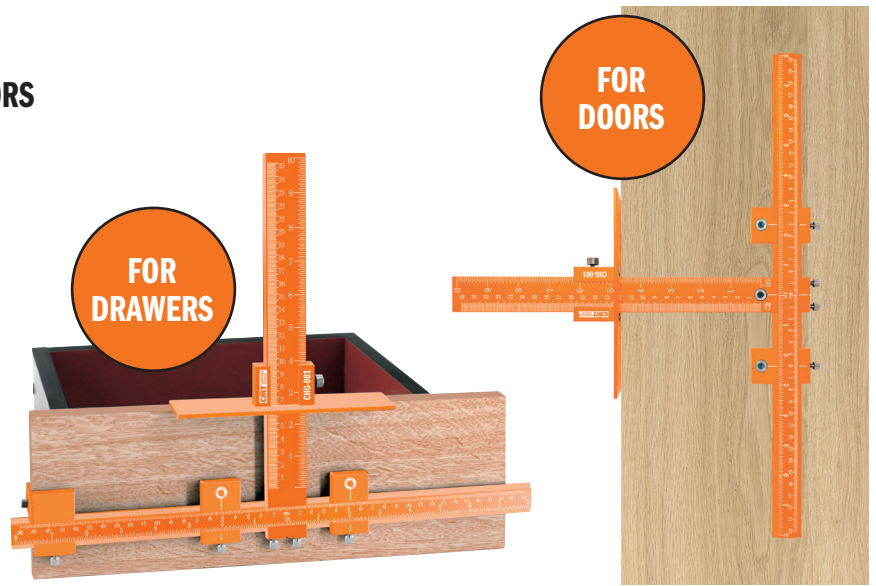
## CABINET HARDWARE JIG GUIDE



- QUICK ASSEMBLY & PRECISE POSITIONING
- PORTABLE & EASY TO USE
- REVERSIBLE DESIGN FOR LEFT & RIGHT DOORS



- A: ADJUSTABLE SLIDER DRILL GUIDES
- B: LATERAL STOP
- C: REFERENCE STOP
- D: VERTICAL RULER
- E: HORIZONTAL RULER
- F: STORAGE BAG



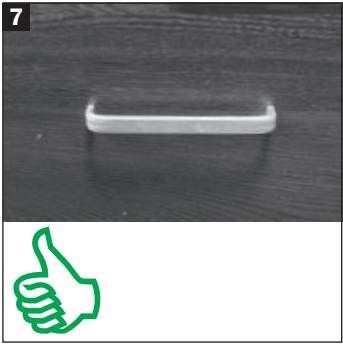
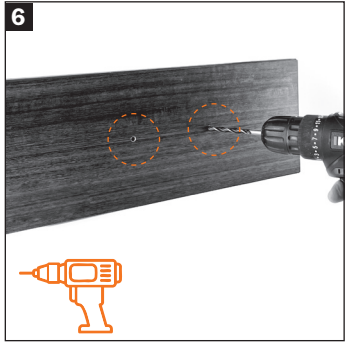
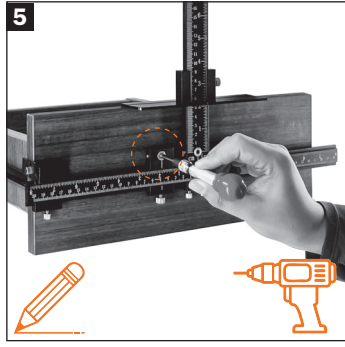
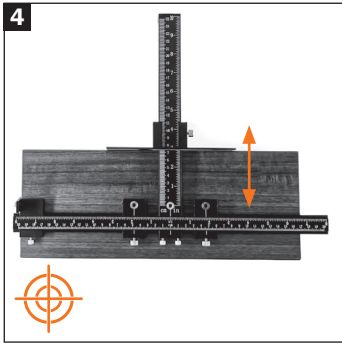
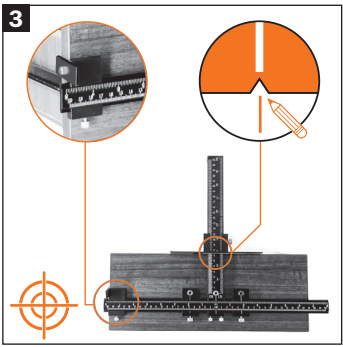
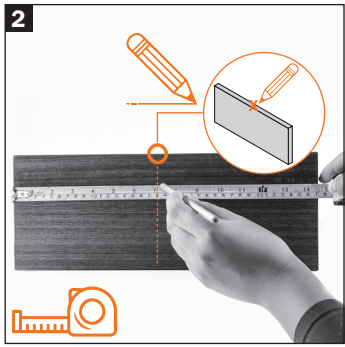
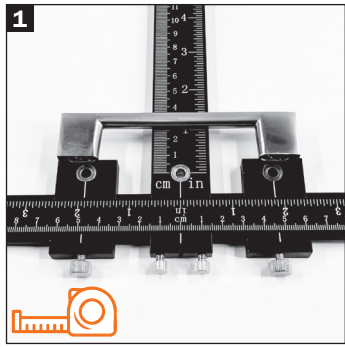
C.M.T. UTENSILI S.p.A.  
Via della Meccanica, sn  
61122 Pesaro (PU) - ITALY

Phone #39 0721 48571  
Fax #39 0721 481021

info@cmtorangetools.com  
www.cmtorangetools.com

03.60.0363  
VERS-2025-11

# DRAWER HANDLE



# DOOR HANDLE/ KNOB

