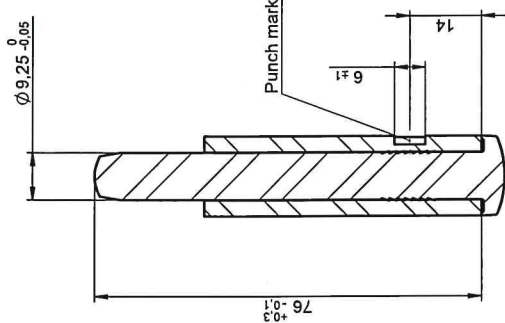
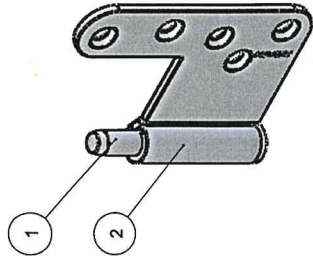
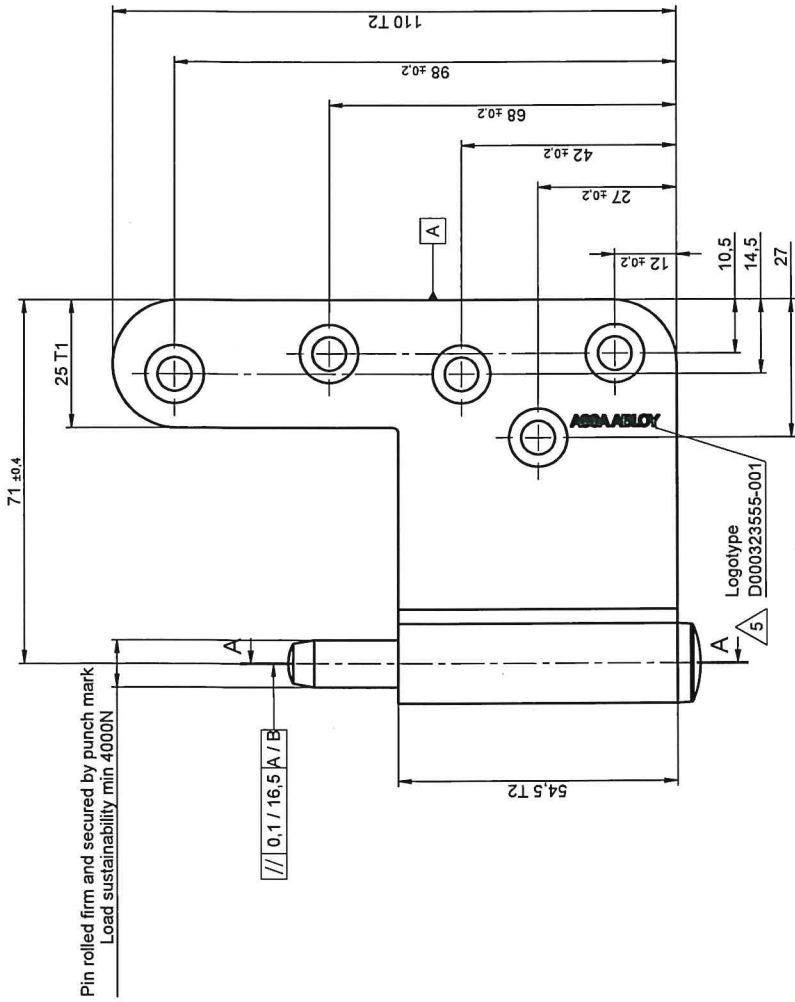
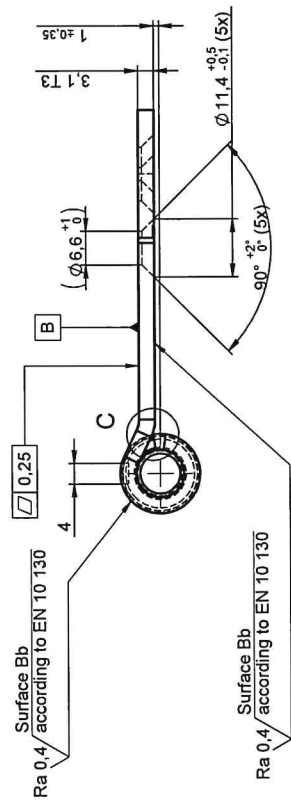


Revision	Date	Sign
5	04.02.2020	MIBo



SECTION A-A



DETAIL C
SCALE 2 : 1

Tolerance	Surface treatment
T1	Bright zink
T2	Powder coating
T3	

Tolerances apply after blank tolerances

2	1	Leaf	3228-EXT 22 FL RH/LH	816872	D000024313
1	1	Long pin	Long Pin Ø9,25X76	421300	D000020428
Pos	qty	Item Name	Name	Drawing nr.	Item nr.
Surface treatment: Electrodeposited coating ISO 2081 - Fe/Zn12/A/T2			Material: -not specified-	Standard reference: ISO 2768-Tm	
Volume:	Weight:	Surface area:	Created (YYYY-MM-DD):	Designed by:	Drawn by:
22333.74 mm³	205.66 gram	18068.75 mm²	2010-05-06	BeKa	MaHi
ASSA ABLOY			Frame leaf LH		
ASSA ABLOY Scandinavia			3228-16EXT22		
Hinge			364225		
			Alternative ID		
			Document ID		
			D000027480		
			Rev.: 5		