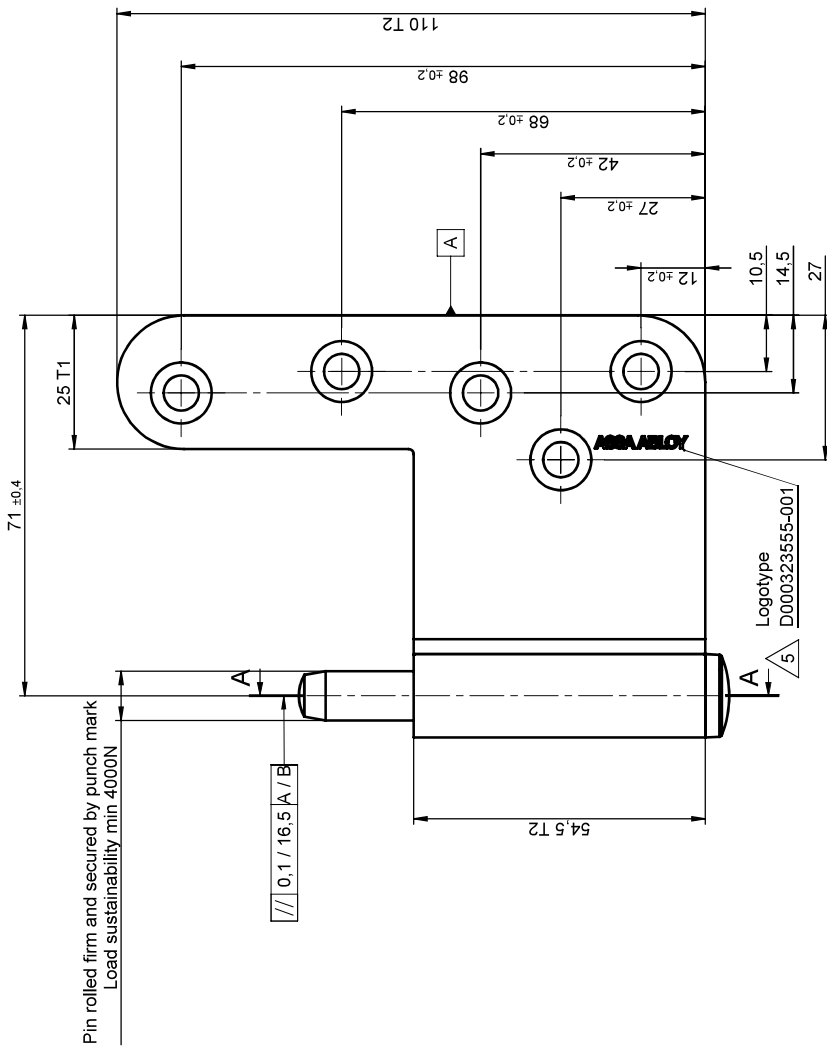
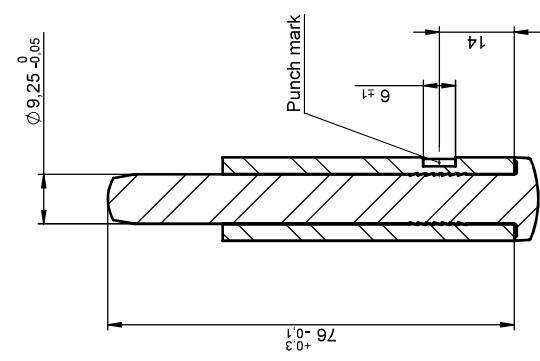
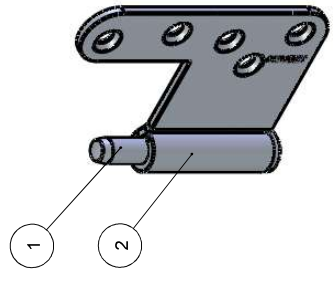


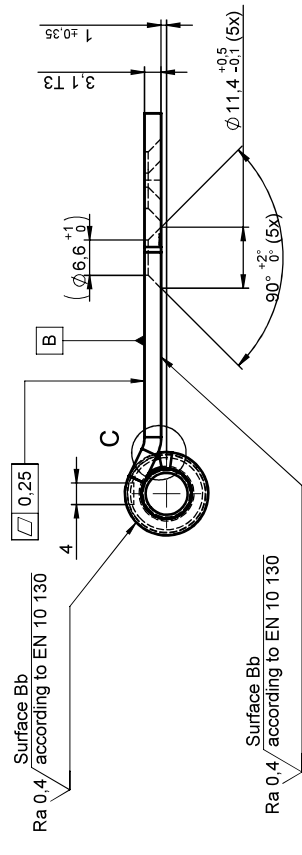
Revision	Date	Sign
5	04.02.2020	MiBo



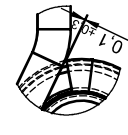
Pin rolled firm and secured by punch mark  
Load sustainability min 4000N



SECTION A-A



DETAIL C  
SCALE 2 : 1



Surface treatment	
Bright zink	Powder coating
T1 ±0.2	+0.5/-0.1
T2 ±0.3	+0.6/-0.1
T3 ±0.05	+0.2/-0.1
Tolerances apply after blank tolerances	

2	1	Leaf	3228-EXT 22 FL RH/LH	816872	D000024313
1	1	Long pin	Long Pin ø9,25X76	421300	D000020428
Pos	qty	Item Name	Name	Drawing nr.	Item nr.
Surface: Electrodeposited coating ISO 2081 - Fe/Zn12/AT2		Material: Material <not specified>	Created (YY-MM-DD): 2010-05-06	Designed by: Beka	Scale: 1:1 (A3)
Volume: 22333.74 mm³		Weight: 205.66 gram	Surface area: 18068.73 mm²	Drawn by: MaHi	Projection: 1st Angle
Logotype: D000323555-001		Frame leaf LH		Alternate ID: 364225	
Assa Abloy Scandinavia		3228-16EXT22		Document ID: D000027480	
Hinge		Hinge		Rev.: 5	

This work is copyright and no part may be reproduced, by any process, nor may any other exclusive right be exercised without the permission of ASSA ABLOY.