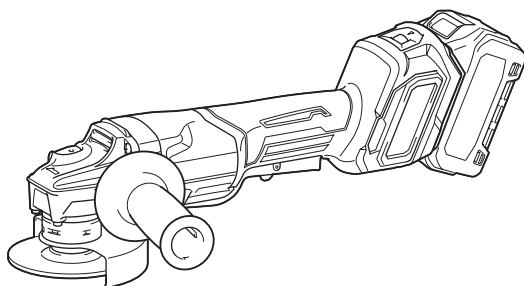




EN	Cordless Angle Grinder	INSTRUCTION MANUAL	10
SV	Batteridrivnen vinkelslipmaskin	BRUKSANVISNING	28
NO	Batteridrevet vinkelsliper	BRUKSANVISNING	46
FI	Akkukäyttöinen kulmahiomakone	KÄYTTÖOHJE	65
DA	Ledningsfri vinkelsliber	BRUGSANVISNING	83
LV	Bezvada leņķa slīpmašīna	LIETOŠANAS INSTRUKCIJA	102
LT	Belaidis kampinis šlifuoκlis	NAUDOJIMO INSTRUKCIJA	121
ET	Juhtmeta nurklihvija	KASUTUSJUHEND	139
RU	Акумуляторная угловая шлифмашина	РУКОВОДСТВО ПО ЭКСПЛУАТАЦИИ	157

GA027G
GA028G
GA029G
GA030G
GA031G
GA032G



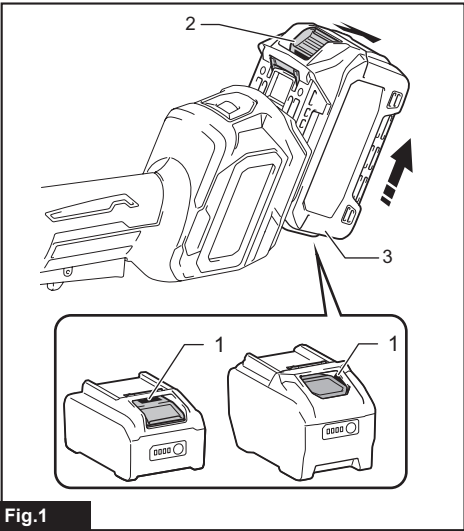


Fig.1

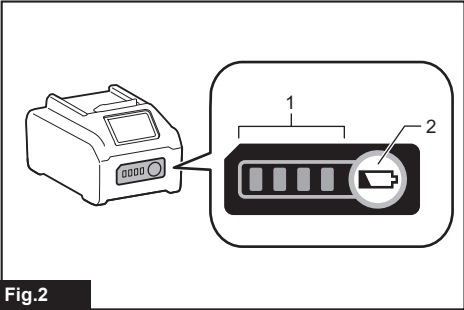


Fig.2

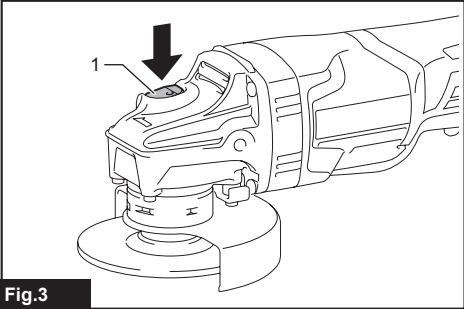


Fig.3

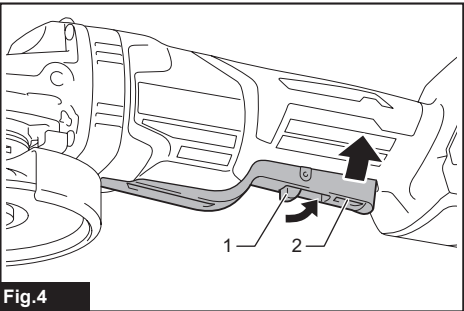


Fig.4

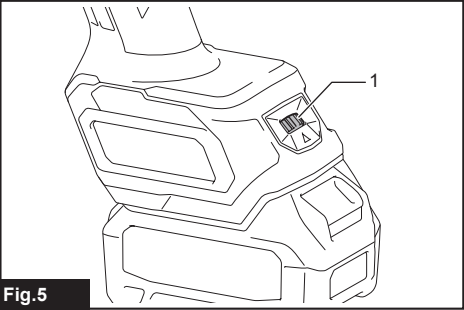


Fig.5

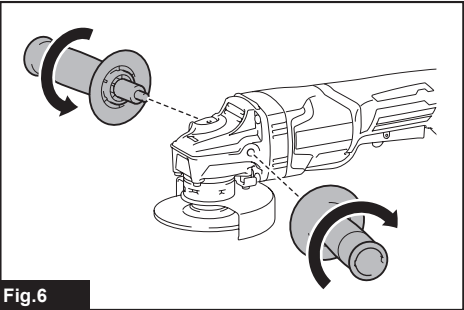
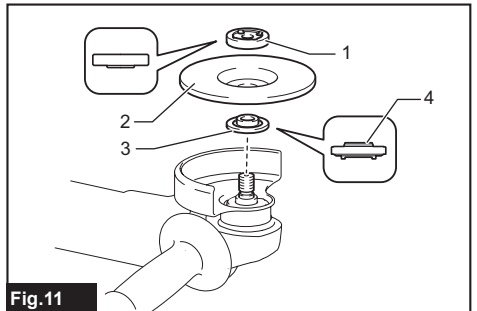
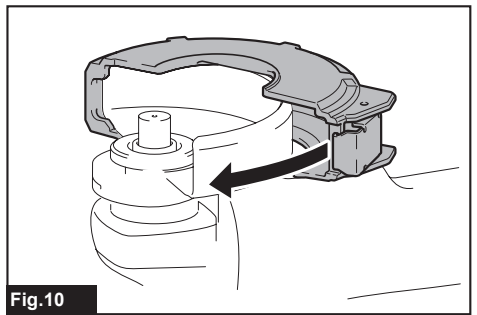
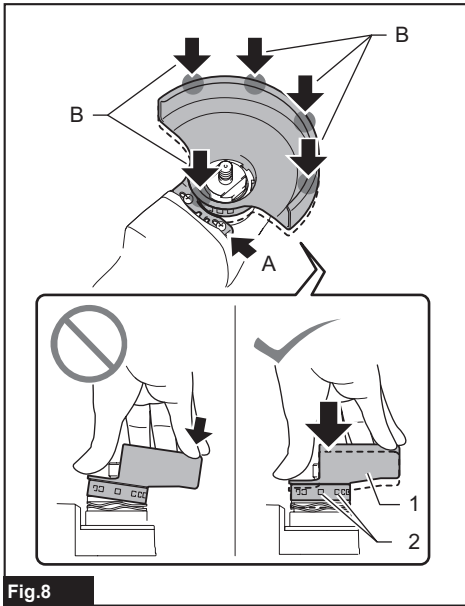
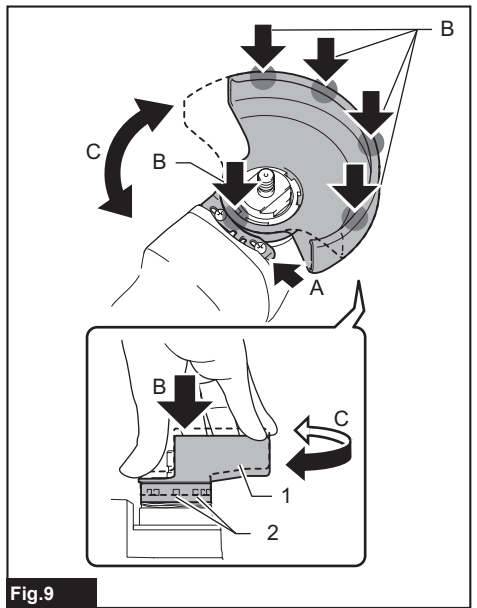
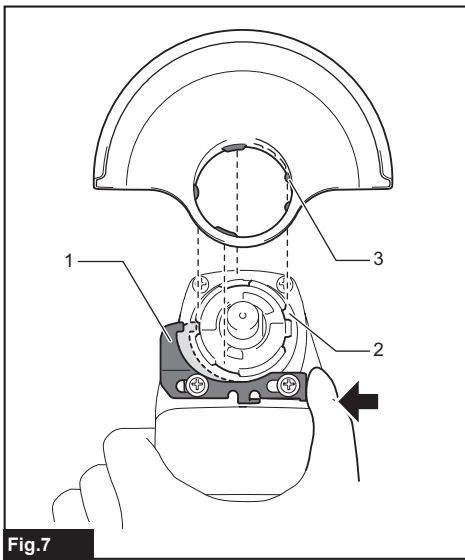
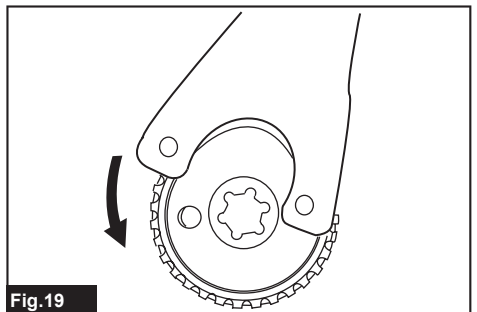
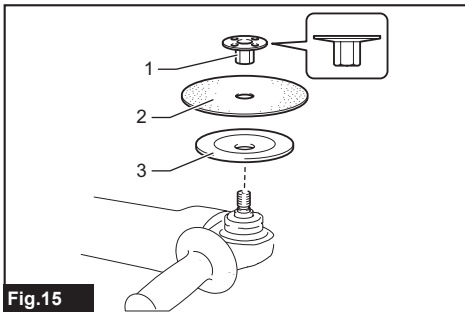
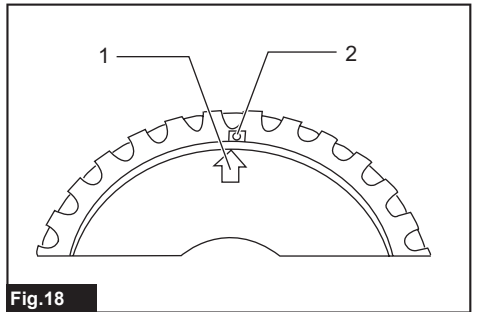
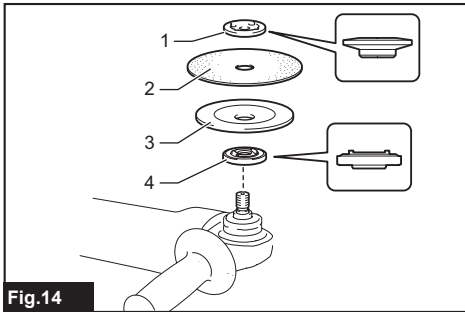
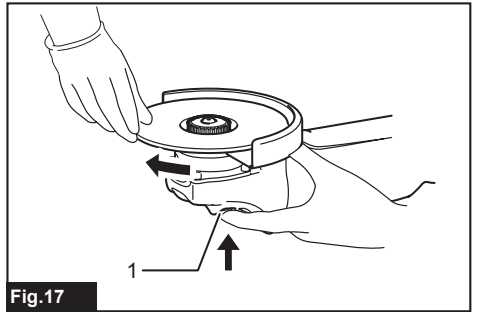
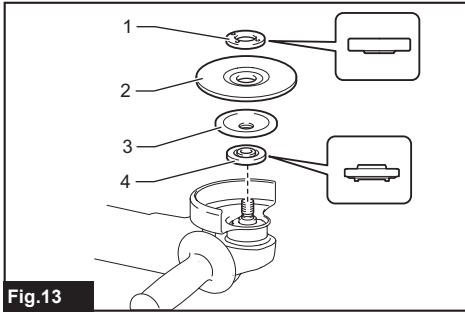
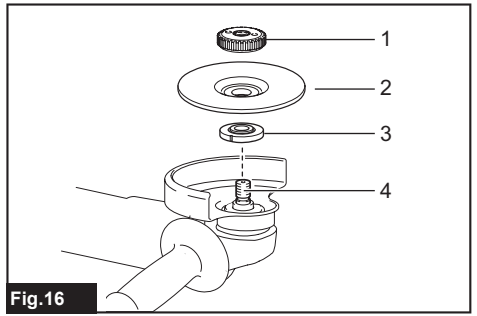
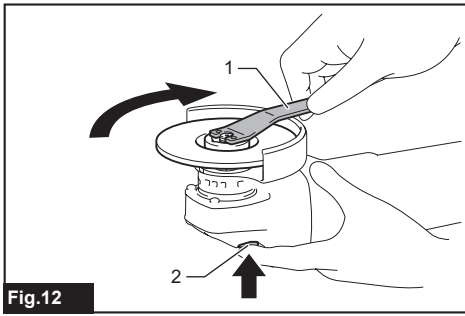


Fig.6





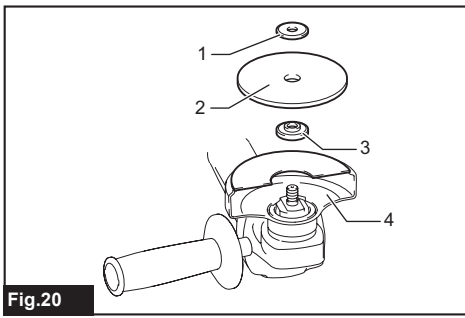


Fig.20

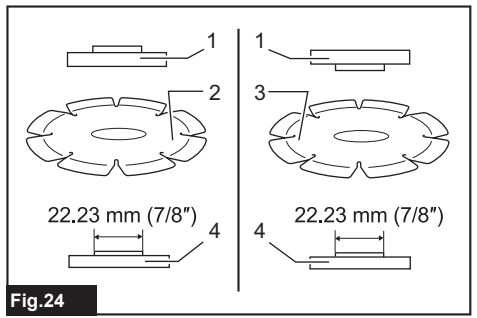


Fig.24

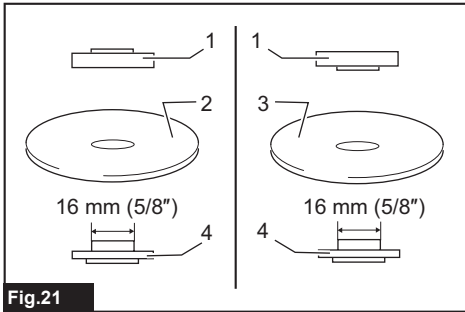


Fig.21

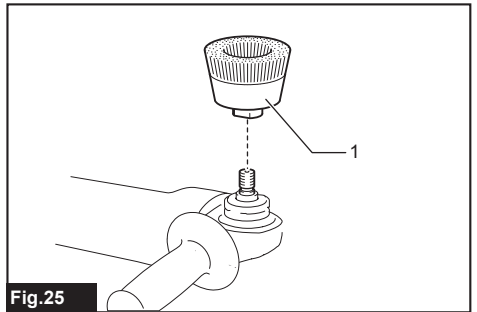


Fig.25

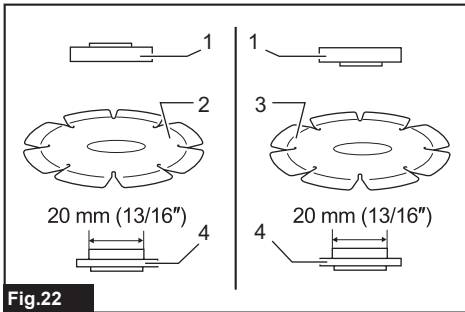


Fig.22

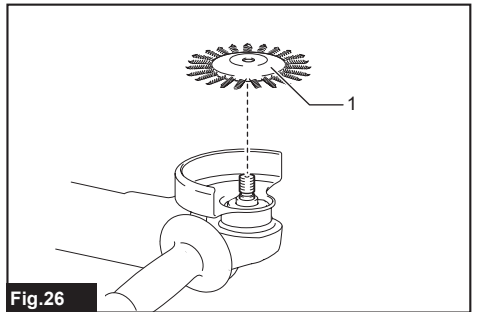


Fig.26

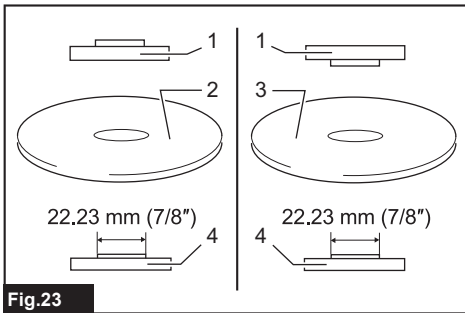


Fig.23

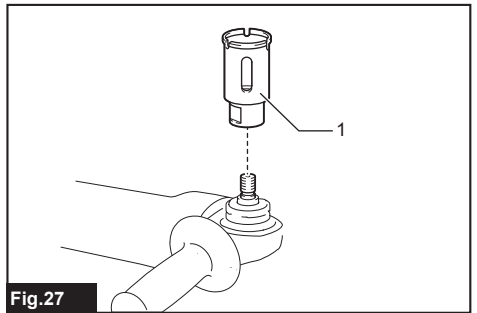


Fig.27

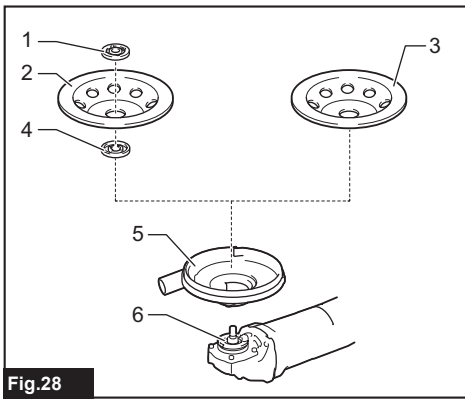


Fig. 28

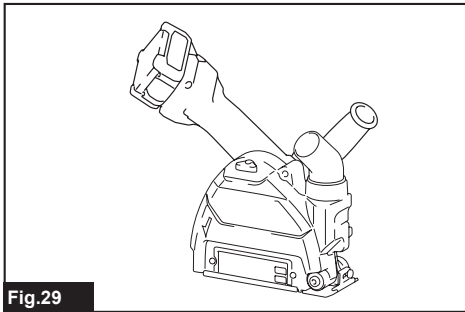


Fig. 29

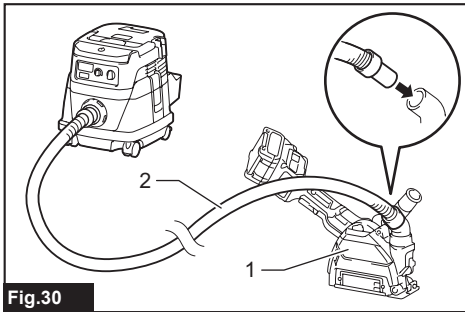


Fig. 30

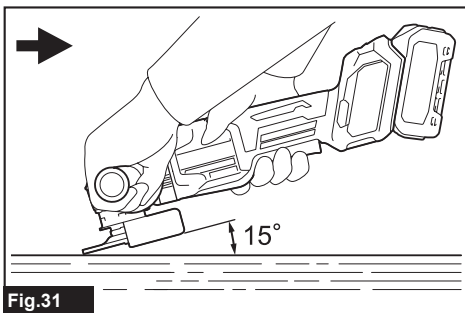


Fig. 31

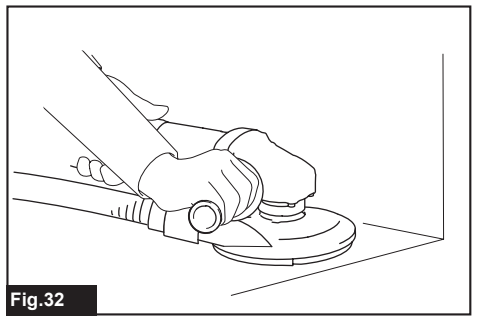


Fig. 32

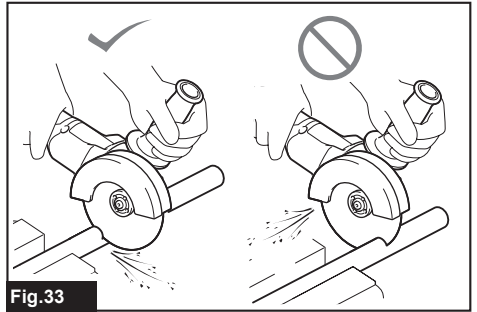


Fig. 33

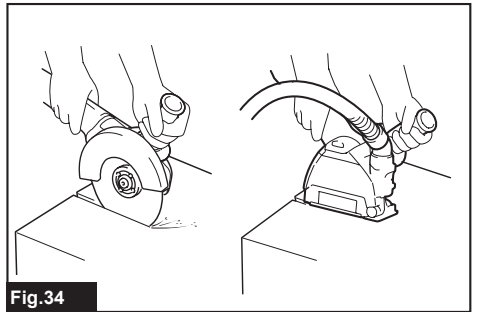


Fig. 34

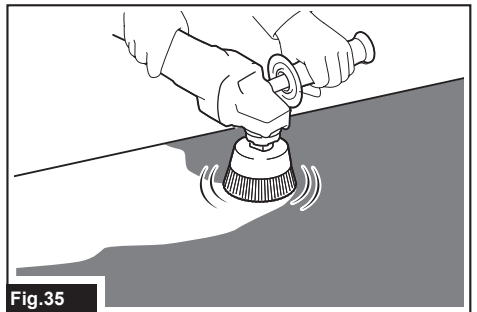


Fig. 35

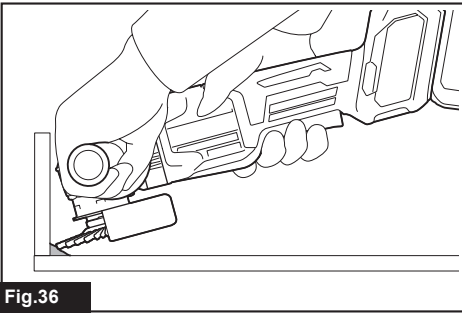


Fig.36

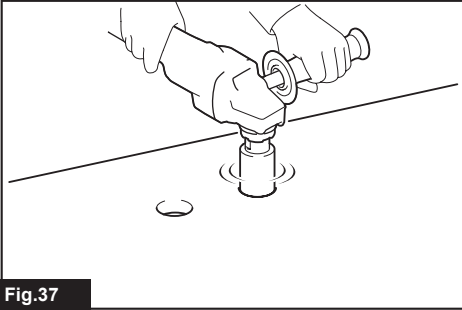


Fig.37

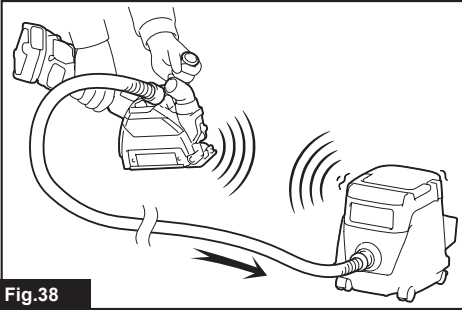


Fig.38

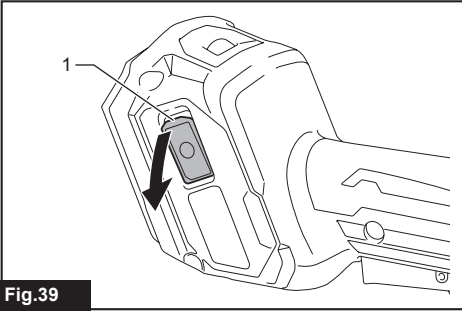


Fig.39

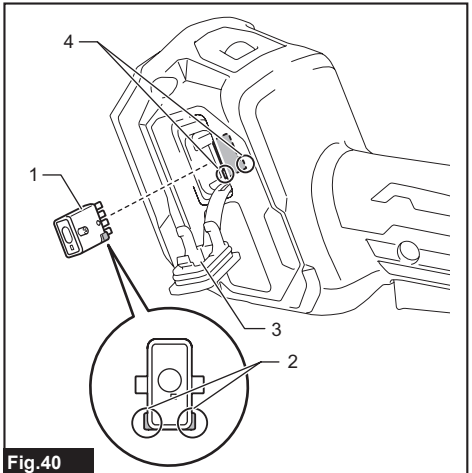


Fig.40

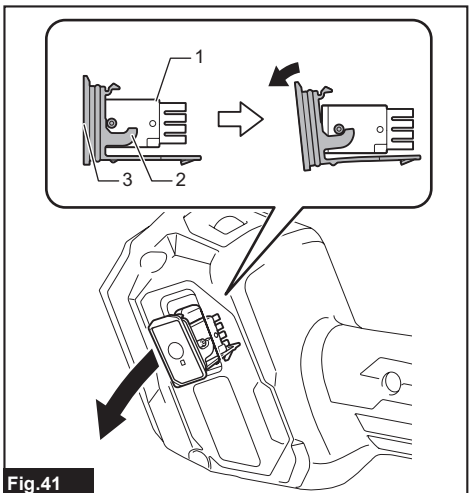


Fig.41

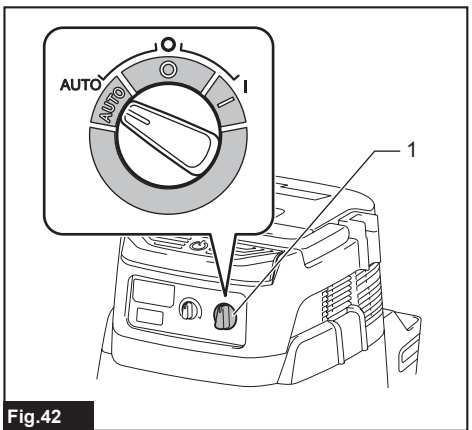


Fig.42

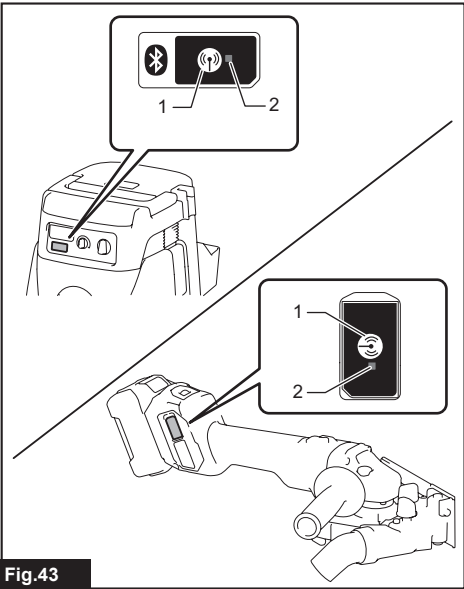


Fig.43

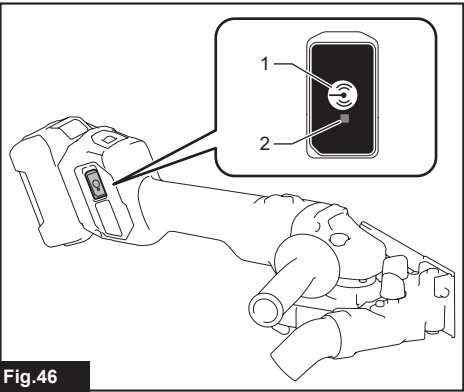


Fig.46

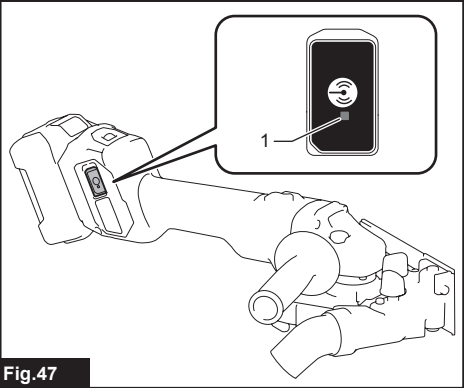


Fig.47

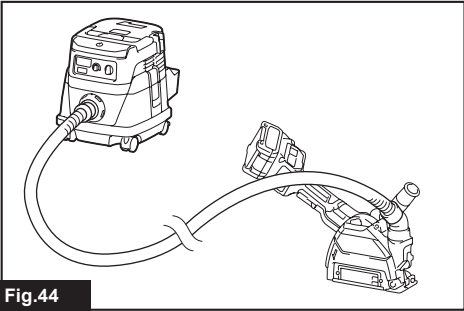


Fig.44

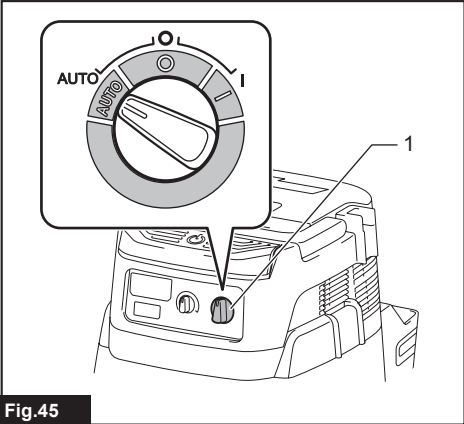


Fig.45

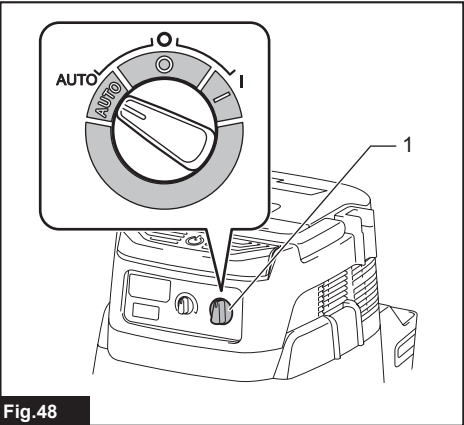


Fig.48

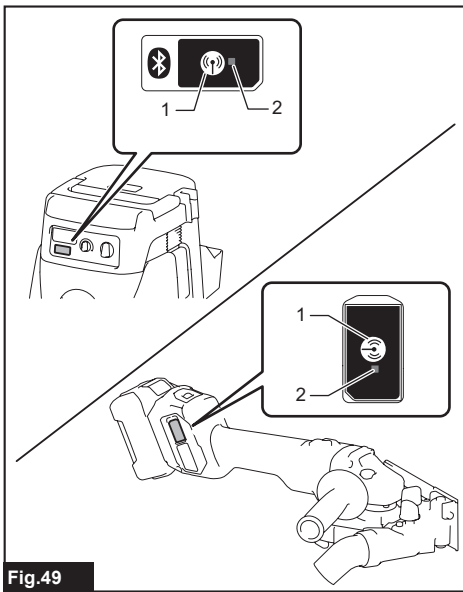


Fig.49

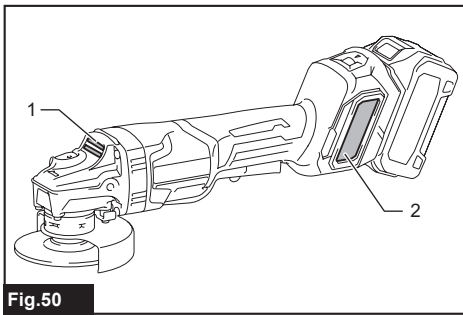


Fig.50

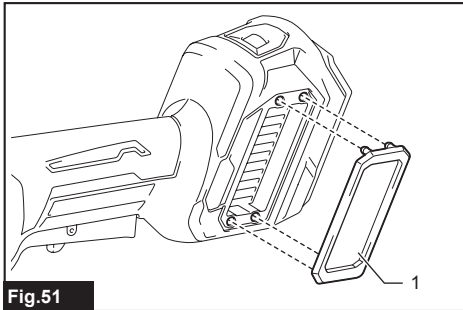


Fig.51

SPECIFICATIONS

Model:		GA027G	GA028G	GA029G	GA030G	GA031G	GA032G
Applicable grinding wheel	Max. wheel diameter	100 mm	115 mm	125 mm	100 mm	115 mm	125 mm
	Max. wheel thickness	6.4 mm	7.2 mm	6.4 mm	7.2 mm		
Applicable cut-off wheel	Max. wheel diameter	105 mm	115 mm	125 mm	105 mm	115 mm	125 mm
	Max. wheel thickness	3.2 mm					
Applicable wire wheel brush	Max. wheel diameter	100 mm	115 mm	125 mm	100 mm	115 mm	125 mm
	Max. wheel thickness	20 mm					
Spindle thread		M10	M14 or 5/8" (country specific)	M10	M14 or 5/8" (country specific)		
Max. spindle length		18 mm	23 mm	18 mm	23 mm		
No load speed (n ₀) / Rated speed (n)		9,000 min ⁻¹					
Overall length	with BL4025	413 mm					
	with BL4040	425 mm					
Net weight		2.8 - 5.2 kg	3.0 - 5.4 kg	2.8 - 5.2 kg	2.9 - 5.3 kg		
Rated voltage		D.C. 36 V - 40 V max					

- Due to our continuing program of research and development, the specifications herein are subject to change without notice.
- Specifications may differ from country to country.
- The weight may differ depending on the attachment(s), including the battery cartridge. The lightest and heaviest combination are shown in the table.

Applicable battery cartridge and charger

Battery cartridge	BL4020 / BL4025* / BL4040* / BL4040F* / BL4050F* / BL4080F* *: Recommended battery
Charger	DC40RA / DC40RB / DC40RC / DC40WA / BCC01 / BCC02

- Some of the battery cartridges and chargers listed above may not be available depending on your region of residence.

⚠ WARNING: Only use the battery cartridges and chargers listed above. Use of any other battery cartridges and chargers may cause injury and/or fire.

Recommended cord connected power source

Portable power pack	PDC01 / PDC1200 / PDC1500
---------------------	---------------------------

- The cord connected power source(s) listed above may not be available depending on your region of residence.
- Before using the cord connected power source, read instruction and cautionary markings on them.

Symbols

The followings show the symbols which may be used for the equipment. Be sure that you understand their meaning before use.



Read instruction manual.



Wear eye protection.



Always operate with two hands.



Do not use the wheel guard for cut-off operations.



Only for EU countries
 Due to the presence of hazardous components in the equipment, waste electrical and electronic equipment, accumulators and batteries may have a negative impact on the environment and human health. Do not dispose of electrical and electronic appliances or batteries with household waste!

In accordance with the European Directive on waste electrical and electronic equipment and on accumulators and batteries and waste accumulators and batteries, as well as their adaptation to national law, waste electrical equipment, batteries and accumulators should be stored separately and delivered to a separate collection point for municipal waste, operating in accordance with the regulations on environmental protection.

This is indicated by the symbol of the crossed-out wheeled bin placed on the equipment.

Intended use

The tool is intended for grinding, sanding, wire brushing, hole cutting and cutting of metal and stone materials without the use of water.

Noise

The typical A-weighted noise level determined according to EN62841-2-3:

Model	Sound pressure level (L_{pA}) : (dB(A))	Sound power level (L_{WA}) : (dB(A))	Uncertainty (K) : (dB(A))
GA027G	84	92	3
GA028G	84	92	3
GA029G	85	93	3
GA030G	84	92	3
GA031G	84	92	3
GA032G	85	93	3

NOTE: The declared noise emission value(s) has been measured in accordance with a standard test method and may be used for comparing one tool with another.

NOTE: The declared noise emission value(s) may also be used in a preliminary assessment of exposure.

⚠ WARNING: Wear ear protection.

⚠ WARNING: The noise emission during actual use of the power tool can differ from the declared value(s) depending on the ways in which the tool is used especially what kind of workpiece is processed.

⚠ WARNING: Be sure to identify safety measures to protect the operator that are based on an estimation of exposure in the actual conditions of use (taking account of all parts of the operating cycle such as the times when the tool is switched off and when it is running idle in addition to the trigger time).

⚠ WARNING: Grinding thin sheets of metal or other easily vibrating structures with a large surface can result in a total noise emission much higher (up to 15 dB) than the declared noise emission values.

Set heavy flexible damping mats or such to those workpieces to prevent them from emitting sound.

Take the increased noise emission into consideration for both the risk assessment of noise exposure and selecting adequate hearing protection.

Vibration

The vibration total value (tri-axial vector sum) determined according to EN62841-2-3:

Work mode: surface grinding with normal side grip

Model	Vibration emission ($a_{h,AG}$) : (m/s^2)	Uncertainty (K) : (m/s^2)
GA027G	4.5	1.5
GA028G	5.0	1.5
GA029G	6.0	1.5
GA030G	4.5	1.5

Model	Vibration emission ($a_{h,AG}$) : (m/s ²)	Uncertainty (K) : (m/s ²)
GA031G	5.0	1.5
GA032G	6.0	1.5

Work mode: surface grinding with anti vibration side grip

Model	Vibration emission ($a_{h,AG}$) : (m/s ²)	Uncertainty (K) : (m/s ²)
GA027G	4.5	1.5
GA028G	5.0	1.5
GA029G	6.5	1.5
GA030G	4.5	1.5
GA031G	5.0	1.5
GA032G	6.5	1.5

Work mode: disc sanding with normal side grip

Model	Vibration emission ($a_{h,DS}$) : (m/s ²)	Uncertainty (K) : (m/s ²)
GA027G	2.5 m/s ² or less	1.5
GA028G	2.5	1.5
GA029G	3.0	1.5
GA030G	2.5 m/s ² or less	1.5
GA031G	2.5	1.5
GA032G	3.0	1.5

Work mode: disc sanding with anti vibration side grip

Model	Vibration emission ($a_{h,DS}$) : (m/s ²)	Uncertainty (K) : (m/s ²)
GA027G	2.5 m/s ² or less	1.5
GA028G	2.5	1.5
GA029G	3.0	1.5
GA030G	2.5 m/s ² or less	1.5
GA031G	2.5	1.5
GA032G	3.0	1.5

NOTE: The declared vibration total value(s) has been measured in accordance with a standard test method and may be used for comparing one tool with another.

NOTE: The declared vibration total value(s) may also be used in a preliminary assessment of exposure.

⚠ WARNING: The vibration emission during actual use of the power tool can differ from the declared value(s) depending on the ways in which the tool is used especially what kind of workpiece is processed.

⚠ WARNING: Be sure to identify safety measures to protect the operator that are based on an estimation of exposure in the actual conditions of use (taking account of all parts of the operating cycle such as the times when the tool is switched off and when it is running idle in addition to the trigger time).

⚠ WARNING: The declared vibration emission value is used for main applications of the power tool. However if the power tool is used for other applications, the vibration emission value may be different.

Declarations of Conformity

For European countries only

The Declarations of conformity are included in Annex A to this instruction manual.

SAFETY WARNINGS

General power tool safety warnings

⚠ WARNING Read all safety warnings, instructions, illustrations and specifications provided with this power tool. Failure to follow all instructions listed below may result in electric shock, fire and/or serious injury.

Save all warnings and instructions for future reference.

The term "power tool" in the warnings refers to your

mains-operated (corded) power tool or battery-operated (cordless) power tool.

Cordless grinder safety warnings

Safety warnings common for grinding, sanding, wire brushing, or cutting-off operations:

- This power tool is intended to function as a grinder, sander, wire brush, hole cutter or cut-off tool. Read all safety warnings, instructions, illustrations and specifications provided with this power tool.** Failure to follow all instructions listed below may result in electric shock, fire and/or serious injury.
- Operations such as polishing are not to be performed with this power tool.** Operations for which the power tool was not designed may create a hazard and cause personal injury.
- Do not convert this power tool to operate in a way which is not specifically designed and specified by the tool manufacturer.** Such a conversion may result in a loss of control and cause serious personal injury.
- Do not use accessories which are not specifically designed and specified by the tool manufacturer.** Just because the accessory can be attached to your power tool, it does not assure safe operation.
- The rated speed of the accessory must be at least equal to the maximum speed marked on the power tool.** Accessories running faster than their rated speed can break and fly apart.
- The outside diameter and the thickness of your accessory must be within the capacity rating of your power tool.** Incorrectly sized accessories cannot be adequately guarded or controlled.
- The dimensions of the accessory mounting must fit the dimensions of the mounting hardware of the power tool.** Accessories that do not match the mounting hardware of the power tool will run out of balance, vibrate excessively and may cause loss of control.
- Do not use a damaged accessory. Before each use inspect the accessory such as abrasive wheels for chips and cracks, backing pad for cracks, tear or excess wear, wire brush for loose or cracked wires. If power tool or accessory is dropped, inspect for damage or install an undamaged accessory. After inspecting and installing an accessory, position yourself and bystanders away from the plane of the rotating accessory and run the power tool at maximum no-load speed for one minute.** Damaged accessories will normally break apart during this test time.
- Wear personal protective equipment. Depending on application, use face shield, safety goggles or safety glasses. As appropriate, wear dust mask, hearing protectors, gloves and workshop apron capable of stopping small abrasive or workpiece fragments.** The eye protection must be capable of stopping flying debris generated by various applications. The dust mask or respirator must be capable of filtering particles generated by the particular application. Prolonged exposure to high intensity noise may cause hearing loss.
- Keep bystanders a safe distance away from work area. Anyone entering the work area must wear personal protective equipment.** Fragments of workpiece or of a broken accessory may fly away and cause injury beyond immediate area of operation.
- Hold the power tool by insulated gripping surfaces only, when performing an operation where the cutting tool may contact hidden wiring.** Contact with a "live" wire will also make exposed metal parts of the power tool "live" and could give the operator an electric shock.
- Never lay the power tool down until the accessory has come to a complete stop.** The spinning accessory may grab the surface and pull the power tool out of your control.
- Do not run the power tool while carrying it at your side.** Accidental contact with the spinning accessory could snag your clothing, pulling the accessory into your body.
- Regularly clean the power tool's air vents.** The motor's fan will draw the dust inside the housing and excessive accumulation of powdered metal may cause electrical hazards.
- Do not operate the power tool near flammable materials.** Sparks could ignite these materials.
- Do not use accessories that require liquid coolants.** Using water or other liquid coolants may result in electrocution or shock.

Kickback and related warnings:

Kickback is a sudden reaction to a pinched or snagged rotating wheel, backing pad, brush or any other accessory. Pinching or snagging causes rapid stalling of the rotating accessory which in turn causes the uncontrolled power tool to be forced in the direction opposite of the accessory's rotation at the point of the binding. For example, if an abrasive wheel is snagged or pinched by the workpiece, the edge of the wheel that is entering into the pinch point can dig into the surface of the material causing the wheel to climb out or kick out. The wheel may either jump toward or away from the operator, depending on direction of the wheel's movement at the point of pinching. Abrasive wheels may also break under these conditions. Kickback is the result of power tool misuse and/or incorrect operating procedures or conditions and can be avoided by taking proper precautions as given below.

- Maintain a firm grip with both hands on the power tool and position your body and arms to allow you to resist kickback forces. Always use auxiliary handle, if provided, for maximum control over kickback or torque reaction during start-up.** The operator can control torque reactions or kickback forces, if proper precautions are taken.
- Never place your hand near the rotating accessory.** Accessory may kickback over your hand.
- Do not position your body in the area where power tool will move if kickback occurs.** Kickback will propel the tool in direction opposite to the wheel's movement at the point of snagging.
- Use special care when working corners, sharp edges, etc. Avoid bouncing and snagging the accessory.** Corners, sharp edges or bouncing

have a tendency to snag the rotating accessory and cause loss of control or kickback.

5. **Do not attach a saw chain woodcarving blade, segmented diamond wheel with a peripheral gap greater than 10 mm or toothed saw blade.** Such blades create frequent kickback and loss of control.

Safety warnings specific for grinding and cutting-off operations:

1. **Use only wheel types that are specified for your power tool and the specific guard designed for the selected wheel.** Wheels for which the power tool was not designed cannot be adequately guarded and are unsafe.
2. **The grinding surface of centre depressed wheels must be mounted below the plane of the guard lip.** An improperly mounted wheel that projects through the plane of the guard lip cannot be adequately protected.
3. **The guard must be securely attached to the power tool and positioned for maximum safety, so the least amount of wheel is exposed towards the operator.** The guard helps to protect the operator from broken wheel fragments, accidental contact with wheel and sparks that could ignite clothing.
4. **Wheels must be used only for specified applications. For example: do not grind with the side of cut-off wheel.** Abrasive cut-off wheels are intended for peripheral grinding, side forces applied to these wheels may cause them to shatter.
5. **Always use undamaged wheel flanges that are of correct size and shape for your selected wheel.** Proper wheel flanges support the wheel thus reducing the possibility of wheel breakage. Flanges for cut-off wheels may be different from grinding wheel flanges.
6. **Do not use worn down wheels from larger power tools.** A wheel intended for larger power tool is not suitable for the higher speed of a smaller tool and may burst.
7. **When using dual purpose wheels always use the correct guard for the application being performed.** Failure to use the correct guard may not provide the desired level of guarding, which could lead to serious injury.

Additional safety warnings specific for cutting-off operations:

1. **Do not “jam” the cut-off wheel or apply excessive pressure. Do not attempt to make an excessive depth of cut.** Overstressing the wheel increases the loading and susceptibility to twisting or binding of the wheel in the cut and the possibility of kickback or wheel breakage.
2. **Do not position your body in line with and behind the rotating wheel.** When the wheel, at the point of operation, is moving away from your body, the possible kickback may propel the spinning wheel and the power tool directly at you.
3. **When the wheel is binding or when interrupting a cut for any reason, switch off the power tool and hold it motionless until the wheel comes to a complete stop. Never attempt to remove the cut-off wheel from the cut while**

the wheel is in motion otherwise kickback may occur. Investigate and take corrective action to eliminate the cause of wheel binding.

4. **Do not restart the cutting operation in the workpiece. Let the wheel reach full speed and carefully re-enter the cut.** The wheel may bind, walk up or kickback if the power tool is restarted in the workpiece.
5. **Support panels or any oversized workpiece to minimize the risk of wheel pinching and kickback.** Large workpieces tend to sag under their own weight. Supports must be placed under the workpiece near the line of cut and near the edge of the workpiece on both sides of the wheel.
6. **Use extra caution when making a “pocket cut” into existing walls or other blind areas.** The protruding wheel may cut gas or water pipes, electrical wiring or objects that can cause kickback.
7. **Do not attempt to do curved cutting.** Overstressing the wheel increases the loading and susceptibility to twisting or binding of the wheel in the cut and the possibility of kickback or wheel breakage, which can lead to serious injury.
8. **Before using a segmented diamond wheel, make sure that the diamond wheel has the peripheral gap between segments of 10 mm or less, only with a negative rake angle.**

Safety warnings specific for sanding operations:

1. **Use proper sized sanding disc paper. Follow manufacturers recommendations, when selecting sanding paper.** Larger sanding paper extending too far beyond the sanding pad presents a laceration hazard and may cause snagging, tearing of the disc or kickback.

Safety warnings specific for wire brushing operations:

1. **Be aware that wire bristles are thrown by the brush even during ordinary operation. Do not overstress the wires by applying excessive load to the brush.** The wire bristles can easily penetrate light clothing and/or skin.
2. **If the use of a guard is specified for wire brushing, do not allow any interference of the wire wheel or brush with the guard.** Wire wheel or brush may expand in diameter due to work load and centrifugal forces.

Additional Safety Warnings:

1. **When using depressed centre grinding wheels, be sure to use only fiberglass-reinforced wheels.**
2. **NEVER USE Stone Cup type wheels with this grinder.** This grinder is not designed for these types of wheels and the use of such a product may result in serious personal injury.
3. **Be careful not to damage the spindle, the flange (especially the installing surface) or the lock nut. Damage to these parts could result in wheel breakage.**
4. **Make sure the wheel is not contacting the workpiece before the switch is turned on.**
5. **Before using the tool on an actual workpiece, let it run for a while. Watch for vibration or wobbling that could indicate poor installation or a poorly balanced wheel.**

6. Use the specified surface of the wheel to perform the grinding.
7. Do not leave the tool running. Operate the tool only when hand-held.
8. Do not touch the workpiece immediately after operation; it may be extremely hot and could burn your skin.
9. Do not touch accessories immediately after operation; it may be extremely hot and could burn your skin.
10. Observe the instructions of the manufacturer for correct mounting and use of wheels and accessories. Incorrect mounting and use may result in personal injury.
11. Handle and store wheels with care.
12. Do not use separate reducing bushings or adaptors to adapt large hole abrasive wheels.
13. Use only flanges specified for this tool.
14. For tools intended to be fitted with threaded hole wheel, ensure that the thread in the wheel is long enough to accept the spindle length.
15. Check that the workpiece is properly supported.
16. Pay attention that the wheel continues to rotate after the tool is switched off.
17. If working place is extremely hot and humid, or badly polluted by conductive dust, use a short-circuit breaker (30 mA) to assure operator safety.
18. Do not use the tool on any materials containing asbestos.
19. When use cut-off wheel, always work with the dust collecting wheel guard if required by domestic regulation.
20. Cutting discs must not be subjected to any lateral pressure.
21. Do not use cloth work gloves during operation. Fibers from cloth gloves may enter the tool, which causes tool breakage.
22. Before operation, make sure that there is no buried object such as electric pipe, water pipe or gas pipe in the workpiece. Otherwise, it may cause an electric shock, electrical leakage or gas leak.
23. If a blotter is attached to the wheel, do not remove it. The diameter of the blotter must be larger than the lock nut, outer flange, and inner flange.
24. Before installing a grinding wheel, always check that the blotter part does not have any abnormalities such as chips or cracks.
25. Tighten the lock nut properly. Overtightening the wheel can cause breakage and insufficient tightening can cause fluttering.

SAVE THESE INSTRUCTIONS.

⚠ WARNING: DO NOT let comfort or familiarity with product (gained from repeated use) replace strict adherence to safety rules for the subject product. MISUSE or failure to follow the safety rules stated in this instruction manual may cause serious personal injury.

Important safety instructions for battery cartridge

1. Before using battery cartridge, read all instructions and cautionary markings on (1) battery charger, (2) battery, and (3) product using battery.
2. Do not disassemble or tamper with the battery cartridge. It may result in a fire, excessive heat, or explosion.
3. If operating time has become excessively shorter, stop operating immediately. It may result in a risk of overheating, possible burns and even an explosion.
4. If electrolyte gets into your eyes, rinse them out with clear water and seek medical attention right away. It may result in loss of your eyesight.
5. Do not short the battery cartridge:
 - (1) Do not touch the terminals with any conductive material.
 - (2) Avoid storing battery cartridge in a container with other metal objects such as nails, coins, etc.
 - (3) Do not expose battery cartridge to water or rain.

A battery short can cause a large current flow, overheating, possible burns and even a breakdown.
6. Do not store and use the tool and battery cartridge in locations where the temperature may reach or exceed 50 °C (122 °F).
7. Do not incinerate the battery cartridge even if it is severely damaged or is completely worn out. The battery cartridge can explode in a fire.
8. Do not nail, cut, crush, throw, drop the battery cartridge, or hit against a hard object to the battery cartridge. Such conduct may result in a fire, excessive heat, or explosion.
9. Do not use a damaged battery.
10. The contained lithium-ion batteries are subject to the Dangerous Goods Legislation requirements.

For commercial transports e.g. by third parties, forwarding agents, special requirement on packaging and labeling must be observed.

For preparation of the item being shipped, consulting an expert for hazardous material is required. Please also observe possibly more detailed national regulations.

Tape or mask off open contacts and pack up the battery in such a manner that it cannot move around in the packaging.
11. When disposing the battery cartridge, remove it from the tool and dispose of it in a safe place. Follow your local regulations relating to disposal of battery.
12. Use the batteries only with the products specified by Makita. Installing the batteries to non-compliant products may result in a fire, excessive heat, explosion, or leak of electrolyte.
13. If the tool is not used for a long period of time, the battery must be removed from the tool.
14. During and after use, the battery cartridge may

take on heat which can cause burns or low temperature burns. Pay attention to the handling of hot battery cartridges.

15. Do not touch the terminal of the tool immediately after use as it may get hot enough to cause burns.
16. Do not allow chips, dust, or soil stuck into the terminals, holes, and grooves of the battery cartridge. It may cause heating, catching fire, burst and malfunction of the tool or battery cartridge, resulting in burns or personal injury.
17. Unless the tool supports the use near high-voltage electrical power lines, do not use the battery cartridge near high-voltage electrical power lines. It may result in a malfunction or breakdown of the tool or battery cartridge.
18. Keep the battery away from children.

SAVE THESE INSTRUCTIONS.

⚠ CAUTION: Only use genuine Makita batteries. Use of non-genuine Makita batteries, or batteries that have been altered, may result in the battery bursting causing fires, personal injury and damage. It will also void the Makita warranty for the Makita tool and charger.

Tips for maintaining maximum battery life

1. Charge the battery cartridge before completely discharged. Always stop tool operation and charge the battery cartridge when you notice less tool power.
2. Never recharge a fully charged battery cartridge. Overcharging shortens the battery service life.
3. Charge the battery cartridge with room temperature at 10 °C - 40 °C (50 °F - 104 °F). Let a hot battery cartridge cool down before charging it.
4. When not using the battery cartridge, remove it from the tool or the charger.
5. Charge the battery cartridge if you do not use it for a long period (more than six months).

Important safety instructions for wireless unit

1. Do not disassemble or tamper with the wireless unit.
2. Keep the wireless unit away from young children. If accidentally swallowed, seek medical attention immediately.
3. Use the wireless unit only with Makita tools.
4. Do not expose the wireless unit to rain or wet conditions.
5. Do not use the wireless unit in places where the temperature exceeds 50 °C (122 °F).
6. Do not operate the wireless unit in places where medical instruments, such as heart pace makers are nearby.
7. Do not operate the wireless unit in places where automated devices are nearby. If operated, automated devices may develop malfunction

or error.

8. Do not operate the wireless unit in places under high temperature or places where static electricity or electrical noise could be generated.
9. The wireless unit can produce electromagnetic fields (EMF) but they are not harmful to the user.
10. The wireless unit is an accurate instrument. Be careful not to drop or strike the wireless unit.
11. Avoid touching the terminal of the wireless unit with bare hands or metallic materials.
12. Always remove the battery on the product when installing the wireless unit into it.
13. When opening the lid of the slot, avoid the place where dust and water may come into the slot. Always keep the inlet of the slot clean.
14. Always insert the wireless unit in the correct direction.
15. Do not press the wireless activation button on the wireless unit too hard and/or press the button with an object with a sharp edge.
16. Always close the lid of the slot when operating.
17. Do not remove the wireless unit from the slot while the power is being supplied to the tool. Doing so may cause a malfunction of the wireless unit.
18. Do not remove the sticker on the wireless unit.
19. Do not put any sticker on the wireless unit.
20. Do not leave the wireless unit in a place where static electricity or electrical noise could be generated.
21. Do not leave the wireless unit in a place subject to high heat, such as a car sitting in the sun.
22. Do not leave the wireless unit in a dusty or powdery place or in a place corrosive gas could be generated.
23. Sudden change of the temperature may bedew the wireless unit. Do not use the wireless unit until the dew is completely dried.
24. When cleaning the wireless unit, gently wipe with a dry soft cloth. Do not use benzine, thinner, conductive grease or the like.
25. When storing the wireless unit, keep it in the supplied case or a static-free container.
26. Do not insert any devices other than Makita wireless unit into the slot on the tool.
27. Do not use the tool with the lid of the slot damaged. Water, dust, and dirt come into the slot may cause malfunction.
28. Do not pull and/or twist the lid of the slot more than necessary. Restore the lid if it comes off from the tool.
29. Replace the lid of the slot if it is lost or damaged.

SAVE THESE INSTRUCTIONS.

FUNCTIONAL DESCRIPTION

CAUTION: Always be sure that the tool is switched off and the battery cartridge is removed before adjusting or checking function on the tool.

Installing or removing battery cartridge

CAUTION: Always switch off the tool before installing or removing of the battery cartridge.

CAUTION: Hold the tool and the battery cartridge firmly when installing or removing battery cartridge. Failure to hold the tool and the battery cartridge firmly may cause them to slip off your hands and result in damage to the tool and battery cartridge and a personal injury.

To install the battery cartridge, align the tongue on the battery cartridge with the groove in the housing and slip it into place. Insert it all the way until it locks in place with a little click. If you can see the red indicator as shown in the figure, it is not locked completely.

To remove the battery cartridge, slide it from the tool while sliding the button on the front of the cartridge.

► **Fig.1:** 1. Red indicator 2. Button 3. Battery cartridge

CAUTION: Always install the battery cartridge fully until the red indicator cannot be seen. If not, it may accidentally fall out of the tool, causing injury to you or someone around you.

CAUTION: Do not install the battery cartridge forcibly. If the cartridge does not slide in easily, it is not being inserted correctly.

Indicating the remaining battery capacity

Press the check button on the battery cartridge to indicate the remaining battery capacity. The indicator lamps light up for a few seconds.

► **Fig.2:** 1. Indicator lamps 2. Check button

Indicator lamps			Remaining capacity
Lighted	Off	Blinking	
	■ ■ ■ ■		75% to 100%
	■ ■ ■ □		50% to 75%
	■ ■ □ □		25% to 50%
■	□ □ □ □		0% to 25%
■	□ □ □ □	▬	Charge the battery.

Indicator lamps			Remaining capacity
Lighted	Off	Blinking	
■ ■ □ □	□ □	▬	The battery may have malfunctioned.
□ □	■ ■		

NOTE: Depending on the conditions of use and the ambient temperature, the indication may differ slightly from the actual capacity.

NOTE: The first (far left) indicator lamp will blink when the battery protection system works.

Tool / battery protection system

The tool is equipped with a tool/battery protection system. This system automatically cuts off power to the motor to extend tool and battery life. The tool will automatically stop during operation if the tool or battery is placed under one of the following conditions:

Overload protection

When the tool/battery is operated in a manner that causes it to draw an abnormally high current, the tool automatically stops without any indication. In this situation, turn the tool off and stop the application that caused the tool to become overloaded. Then turn the tool on to restart.

Overheat protection

When the tool/battery is overheated, the tool stops automatically. Let the tool cool down before turning the tool on again.

Overdischarge protection

When the battery capacity is not enough, the tool stops automatically. In this case, remove the battery from the tool and charge the battery.

Releasing protection lock

When the protection system works repeatedly, the tool is locked.

In this situation, the tool does not start even if turning the tool off and on. To release the protection lock, remove the battery, set it to the battery charger and wait until the charging finishes.

Protections against other causes

Protection system is also designed for other causes that could damage the tool and allows the tool to stop automatically. Take all the following steps to clear the causes, when the tool has been brought to a temporary halt or stop in operation.

1. Make sure that all switch(es) is/are in the off position, and then turn the tool on again to restart.
2. Charge the battery(ies) or replace it/them with recharged battery(ies).
3. Let the tool and battery(ies) cool down.

If no improvement can be found by restoring protection

system, then contact your local Makita Service Center.

Shaft lock

⚠ WARNING: Never actuate the shaft lock when the spindle is moving. It may cause serious injury or the tool damage.

Press the shaft lock to prevent spindle rotation when installing or removing accessories.

► Fig.3: 1. Shaft lock

Switch action

⚠ CAUTION: Before installing the battery cartridge into the tool, always check to see that the switch lever actuates properly and returns to the "OFF" position when released.

⚠ CAUTION: For your safety, this tool is equipped with lock-off lever which prevents the tool from unintended starting. NEVER use the tool if it runs when you simply pull the switch lever without pulling the lock-off lever. Return the tool to our authorized service center for proper repairs BEFORE further usage.

⚠ CAUTION: Do not pull the switch lever hard without pulling the lock-off lever. This can cause switch breakage.

⚠ CAUTION: NEVER tape down or defeat purpose and function of lock-off lever.

To prevent the switch lever from being accidentally pulled, a lock-off lever is provided.

To start the tool, pull the lock-off lever toward the operator and then pull the switch lever.

To stop the tool, release the switch lever.

► Fig.4: 1. Lock-off lever 2. Switch lever

Speed adjusting dial

The rotation speed of the tool can be changed by turning the speed adjusting dial. The table below shows the number on the dial and the corresponding rotation speed.

► Fig.5: 1. Speed adjusting dial

Number	Speed
1	3,000 min ⁻¹
2	4,500 min ⁻¹
3	6,000 min ⁻¹
4	7,500 min ⁻¹
5	9,000 min ⁻¹

NOTICE: If the tool is operated continuously at low speed for a long time, the motor will get overloaded, resulting in tool malfunction.

NOTICE: The speed adjusting dial can be turned only as far as 5 and back to 1. Do not force it past 5 or 1, or the speed adjusting function may no longer work.

Accidental re-start preventive function

When installing the battery cartridge while the switch is ON, the tool does not start.

To start the tool, turn off the switch, and turn it on again.

Active Feedback sensing Technology

The tool electronically detects situations where the wheel or accessory may be at risk to be bound. In the situation, the tool is automatically shut off to prevent further rotation of the spindle (it does not prevent kickback).

To restart the tool, switch off the tool first, remove the cause of sudden drop in the rotation speed, and then turn the tool on.

Soft start feature

Soft start feature reduces starting reaction.

Electric brake

Only for model GA027G / GA028G / GA029G

Electric brake is activated after the tool is switched off. The brake does not work when the power supply is shut down, such as the battery is removed accidentally, with the switch still on.

ASSEMBLY

⚠ CAUTION: Always be sure that the tool is switched off and the battery cartridge is removed before adjusting or checking function on the tool.

Installing side grip (handle)

⚠ CAUTION: Always be sure that the side grip is installed securely before operation.

Screw the side grip securely on the position of the tool as shown in the figure.

► Fig.6

Installing or removing wheel guard

⚠ WARNING: When using a depressed center wheel, flap disc, flex wheel or wire wheel brush, the wheel guard must be fitted on the tool so that the closed side of the guard always points toward the operator.

⚠ WARNING: Make sure that the wheel guard is securely locked by the lock lever with one of the holes on the wheel guard.

⚠ WARNING: When using an abrasive cut-off / diamond wheel, be sure to use only the special wheel guard designed for use with cut-off wheels.

For depressed center wheel, flap disc, flex wheel, wire wheel brush / abrasive cut-off wheel, diamond wheel

1. While pushing the lock lever, mount the wheel guard with the protrusions on the wheel guard aligned with the notches on the bearing box.

► **Fig.7:** 1. Lock lever 2. Notch 3. Protrusion

2. While pushing the lock lever toward A, push in the wheel guard by holding down the portions B as shown in the figure.

► **Fig.8:** 1. Wheel guard 2. Hole

NOTE: Push down the wheel guard straight. Otherwise, you cannot push the wheel guard completely.

3. While keeping the lock lever and wheel guard position as described in step 2, rotate the wheel guard toward C, and then, change the angle of the wheel guard according to the work so that the operator can be protected. Align the lock lever with one of the holes in the wheel guard, and then release the lock lever to lock the wheel guard.

► **Fig.9:** 1. Wheel guard 2. Hole

NOTE: Push the wheel guard completely. Otherwise, you cannot rotate the wheel guard.

To remove wheel guard, follow the installation procedure in reverse.

Clip-on cutting wheel guard attachment

Optional accessory

NOTE: For cutting-off operations, a clip-on cutting wheel guard attachment can be used with the wheel guard (for grinding wheel).

Not available in some countries.

► **Fig.10**

Installing or removing depressed center wheel or flap disc

Optional accessory

⚠WARNING: When using a depressed center wheel or flap disc, the wheel guard must be fitted on the tool so that the closed side of the guard always points toward the operator.

⚠WARNING: Make sure that the mounting part of the inner flange fits into the inner diameter of the depressed center wheel / flap disc perfectly. Mounting the inner flange on the wrong side may result in the dangerous vibration.

Mount the inner flange onto the spindle.

Make sure to fit the dented part of the inner flange onto the straight part at the bottom of the spindle.

Fit the depressed center wheel / flap disc on the inner flange and screw the lock nut onto the spindle.

► **Fig.11:** 1. Lock nut 2. Depressed center wheel

3. Inner flange 4. Mounting part

To tighten the lock nut, press the shaft lock firmly so that the spindle cannot revolve, then use the lock nut wrench and securely tighten clockwise.

► **Fig.12:** 1. Lock nut wrench 2. Shaft lock

To remove the wheel, follow the installation procedure in reverse.

Installing or removing flex wheel

Optional accessory

⚠WARNING: Always use supplied guard when flex wheel is on the tool. Wheel can shatter during use and guard helps to reduce chances of personal injury.

► **Fig.13:** 1. Lock nut 2. Flex wheel 3. Back up pad 4. Inner flange

Follow instructions for depressed center wheel but also use back up pad over wheel.

Installing or removing abrasive disc

Optional accessory

NOTE: Use sander accessories specified in this manual. These must be purchased separately.

For 100 mm (4") model

► **Fig.14:** 1. Sanding lock nut 2. Abrasive disc 3. Rubber pad 4. Inner flange

1. Mount the inner flange onto the spindle.
2. Mount the rubber pad onto the spindle.
3. Fit the disc on the rubber pad and screw the sanding lock nut onto the spindle.
4. Hold the spindle with the shaft lock, and securely tighten the sanding lock nut clockwise with the lock nut wrench.

To remove the disc, follow the installation procedure in reverse.

For model other than 100 mm (4")

► **Fig.15:** 1. Sanding lock nut 2. Abrasive disc 3. Rubber pad

1. Mount the rubber pad onto the spindle.
2. Fit the disc on the rubber pad and screw the sanding lock nut onto the spindle.
3. Hold the spindle with the shaft lock, and securely tighten the sanding lock nut clockwise with the lock nut wrench.

To remove the disc, follow the installation procedure in reverse.

Super Flange

Optional accessory

Super Flange is a special accessory for model which is NOT equipped with a brake function.

Models with the letter F are standard-equipped with Super Flange. Only 1/3 of efforts needed to undo lock nut, compared with conventional type.

Installing or removing Ezynut

Optional accessory

Only for tools with M14 spindle thread.

CAUTION: Do not use Ezynut with Super Flange. Those flanges are so thick that the entire thread cannot be retained by the spindle.

Mount inner flange, abrasive wheel and Ezynut onto the spindle so that Makita Logo on Ezynut faces outside.

► **Fig.16:** 1. Ezynut 2. Abrasive wheel 3. Inner flange 4. Spindle

Press shaft lock firmly and tighten Ezynut by turning the abrasive wheel clockwise as far as it turns.

► **Fig.17:** 1. Shaft lock

To loosen the Ezynut, turn the outside ring of Ezynut counterclockwise.

NOTE: Ezynut can be loosened by hand as long as the arrow points the notch. Otherwise a lock nut wrench is required to loosen it. Insert one pin of the wrench into a hole and turn Ezynut counterclockwise.

► **Fig.18:** 1. Arrow 2. Notch

► **Fig.19**

Installing abrasive cut-off / diamond wheel

Optional accessory

WARNING: When using an abrasive cut-off / diamond wheel, be sure to use only the special wheel guard designed for use with cut-off wheels.

WARNING: NEVER use cut-off wheel for side grinding.

► **Fig.20:** 1. Lock nut 2. Abrasive cut-off wheel / diamond wheel 3. Inner flange 4. Wheel guard for abrasive cut-off wheel / diamond wheel

As for the installation, follow the instructions for depressed center wheel.

The direction for mounting the lock nut and the inner flange varies by wheel type and thickness.

Refer to the following figures.

For 100 mm (4") model

When installing the abrasive cut-off wheel:

► **Fig.21:** 1. Lock nut 2. Abrasive cut-off wheel (Thinner than 4 mm (5/32")) 3. Abrasive cut-off wheel (4 mm (5/32") or thicker) 4. Inner flange

When installing the diamond wheel:

► **Fig.22:** 1. Lock nut 2. Diamond wheel (Thinner than 4 mm (5/32")) 3. Diamond wheel (4 mm (5/32") or thicker) 4. Inner flange

For model other than 100 mm (4")

When installing the abrasive cut-off wheel:

► **Fig.23:** 1. Lock nut 2. Abrasive cut-off wheel (Thinner than 4 mm (5/32")) 3. Abrasive cut-off wheel (4 mm (5/32") or thicker) 4. Inner

flange

When installing the diamond wheel:

► **Fig.24:** 1. Lock nut 2. Diamond wheel (Thinner than 4 mm (5/32")) 3. Diamond wheel (4 mm (5/32") or thicker) 4. Inner flange

Installing wire cup brush

Optional accessory

CAUTION: Do not use wire cup brush that is damaged, or which is out of balance. Use of damaged wire cup brush could increase potential for injury from contact with broken brush wires.

Place the tool upside down to allow easy access to the spindle.

Remove any accessories on spindle. Thread wire cup brush onto spindle and tighten with supplied wrench.

► **Fig.25:** 1. Wire cup brush

Installing wire wheel brush

Optional accessory

CAUTION: Do not use wire wheel brush that is damaged, or which is out of balance. Use of damaged wire wheel brush could increase potential for injury from contact with broken wires.

CAUTION: ALWAYS use guard with wire wheel brushes, assuring diameter of wheel fits inside guard. Wheel can shatter during use and guard helps to reduce chances of personal injury.

Place the tool upside down to allow easy access to the spindle.

Remove any accessories on spindle. Thread wire wheel brush onto spindle and tighten with the wrenches.

► **Fig.26:** 1. Wire wheel brush

Installing hole cutter

Optional accessory

Place the tool upside down to allow easy access to the spindle.

Remove any accessories on the spindle. Thread the hole cutter onto the spindle, and tighten it with the supplied wrench.

► **Fig.27:** 1. Hole cutter

Installing dust collecting wheel guard for grinding

Only for model GA028G / GA029G / GA031G / GA032G

Optional accessory

With optional accessories, you can use this tool for planing concrete surface.

⚠ CAUTION: Dust collecting wheel guard for grinding is only for use in planing concrete surface with a cup-type diamond wheel. Do not use this guard with any other cutting accessory or for any other purpose.

⚠ CAUTION: Before operation, make sure that a vacuum cleaner is connected to the tool and turned on.

Place the tool upside down and install the dust collecting wheel guard.

Mount the inner flange onto the spindle.

Fit the cup-type diamond wheel on the inner flange and tighten the lock nut onto the spindle.

► **Fig.28:** 1. Lock nut 2. Cup-type diamond wheel 3. Hubbed cup-type diamond wheel 4. Inner flange 5. Dust collecting wheel guard 6. Bearing box

NOTE: For information how to install the dust collecting wheel guard, refer to the manual of the dust collecting wheel guard.

Installing dust collecting wheel guard for cutting-off

Optional accessory

With optional accessories, you can use this tool for cutting stone materials.

► **Fig.29**

NOTE: For information how to install the dust collecting wheel guard, refer to the manual of the dust collecting wheel guard.

Connecting a vacuum cleaner

Optional accessory

⚠ WARNING: Never vacuum metal particles created by grinding/cutting/sanding operation.

Metal particles created by such operation are so hot that they ignite dust and the filter inside the vacuum cleaner.

To avoid dusty environment caused by masonry cutting, use a dust collecting wheel guard and a vacuum cleaner.

Refer to the instruction manual attached to the dust collecting wheel guard for assembling and using it.

► **Fig.30:** 1. Dust collecting wheel guard 2. Hose of the vacuum cleaner

OPERATION

⚠ WARNING: It should never be necessary to force the tool. The weight of the tool applies adequate pressure. Forcing and excessive pressure could cause dangerous wheel breakage.

⚠ WARNING: ALWAYS replace wheel if tool is dropped while grinding.

⚠ WARNING: NEVER hit the workpiece with the wheel.

⚠ WARNING: Avoid bouncing and snagging the wheel, especially when working corners, sharp edges etc. This can cause loss of control and kickback.

⚠ WARNING: NEVER use tool with wood cutting blades and other saw blades. Such blades when used on a grinder frequently kick and cause loss of control leading to personal injury.

⚠ CAUTION: Never switch on the tool when it is in contact with the workpiece, it may cause an injury to operator.

⚠ CAUTION: Always wear safety goggles or a face shield during operation.

⚠ CAUTION: After operation, always switch off the tool and wait until the wheel has come to a complete stop before putting the tool down.

⚠ CAUTION: ALWAYS hold the tool firmly with one hand on housing and the other on the side grip (handle).

NOTE: A dual purpose wheel can be used for both grinding and cutting-off operations.

Refer to the "Grinding and sanding operation" for grinding operation, and refer to the "Operation with abrasive cut-off / diamond wheel" for cutting-off operation.

Grinding and sanding operation

► **Fig.31**

Turn the tool on and then apply the wheel or disc to the workpiece.

In general, keep the edge of the wheel or disc at an angle of about 15° to the workpiece surface.

During the break-in period with a new wheel, do not work the grinder in forward direction or it may cut into the workpiece. Once the edge of the wheel has been rounded off by use, the wheel may be worked in both forward and backward direction.

Usage example: operation with cup-type diamond wheel

► **Fig.32**

Keep the tool horizontally and apply the entire cup-type diamond wheel to the workpiece surface.

Operation with abrasive cut-off / diamond wheel

Optional accessory

⚠ WARNING: Do not "jam" the wheel or apply excessive pressure. Do not attempt to make an excessive depth of cut. Overstressing the wheel increases the loading and susceptibility to twisting or binding of the wheel in the cut and the possibility of kickback, wheel breakage and overheating of the motor may occur.

⚠ WARNING: Do not start the cutting operation in the workpiece. Let the wheel reach full speed and carefully enter into the cut moving the tool forward over the workpiece surface. The wheel may bind, walk up or kickback if the power tool is started in the workpiece.

⚠ WARNING: During cutting operations, never change the angle of the wheel. Placing side pressure on the cut-off wheel (as in grinding) will cause the wheel to crack and break, causing serious personal injury.

⚠ WARNING: A diamond wheel shall be operated perpendicular to the material being cut.

Usage example: operation with abrasive cut-off wheel

► Fig.33

Usage example: operation with diamond wheel

► Fig.34

Operation with wire cup brush

Optional accessory

⚠ CAUTION: Check operation of wire cup brush by running tool with no load, insuring that no one is in front of or in line with wire cup brush.

NOTICE: Avoid applying too much pressure which causes over bending of wires when using the wire cup brush. It may lead to premature breakage.

Usage example: operation with wire cup brush

► Fig.35

Operation with wire wheel brush

Optional accessory

⚠ CAUTION: Check operation of wire wheel brush by running tool with no load, insuring that no one is in front of or in line with the wire wheel brush.

NOTICE: Avoid applying too much pressure which causes over bending of wires when using wire wheel brush. It may lead to premature breakage.

Usage example: operation with wire wheel brush

► Fig.36

Operation with hole cutter

Optional accessory

⚠ CAUTION: Check operation of the hole cutter by running the tool with no load, insuring that no one is in front of the hole cutter.

NOTICE: Do not tilt the tool during operation. It may lead to premature breakage.

Usage example: operation with hole cutter

► Fig.37

WIRELESS ACTIVATION FUNCTION

What you can do with the wireless activation function

The wireless activation function enables clean and comfortable operation. By connecting a supported vacuum cleaner to the tool, you can run the vacuum cleaner automatically along with the switch operation of the tool.

► Fig.38

To use the wireless activation function, prepare following items:

- A wireless unit (optional accessory)
- A vacuum cleaner which supports the wireless activation function

The overview of the wireless activation function setting is as follows. Refer to each section for detail procedures.

1. Installing the wireless unit
2. Tool registration for the vacuum cleaner
3. Starting the wireless activation function

Installing the wireless unit

Optional accessory

⚠ CAUTION: Place the tool on a flat and stable surface when installing the wireless unit.

NOTICE: Clean the dust and dirt on the tool before installing the wireless unit. Dust or dirt may cause malfunction if it comes into the slot of the wireless unit.

NOTICE: To prevent the malfunction caused by static, touch a static discharging material, such as a metal part of the tool, before picking up the wireless unit.

NOTICE: When installing the wireless unit, always be sure that the wireless unit is inserted in the correct direction and the lid is completely closed.

1. Open the lid on the tool as shown in the figure.
► Fig.39: 1. Lid

2. Insert the wireless unit to the slot and then close the lid.

When inserting the wireless unit, align the projections with the recessed portions on the slot.

- **Fig.40:** 1. Wireless unit 2. Projection 3. Lid
4. Recessed portion

When removing the wireless unit, open the lid slowly. The hooks on the back of the lid will lift the wireless unit as you pull up the lid.

- **Fig.41:** 1. Wireless unit 2. Hook 3. Lid

After removing the wireless unit, keep it in the supplied case or a static-free container.

NOTICE: Always use the hooks on the back of the lid when removing the wireless unit. If the hooks do not catch the wireless unit, close the lid completely and open it slowly again.

Tool registration for the vacuum cleaner

NOTE: A Makita vacuum cleaner supporting the wireless activation function is required for the tool registration.

NOTE: Finish installing the wireless unit to the tool before starting the tool registration.

NOTE: During the tool registration, do not pull the switch trigger or turn on the power switch on the vacuum cleaner.

NOTE: Refer to the instruction manual of the vacuum cleaner, too.

If you wish to activate the vacuum cleaner along with the switch operation of the tool, finish the tool registration beforehand.

1. Install the batteries to the vacuum cleaner and the tool.

2. Set the stand-by switch on the vacuum cleaner to "AUTO".

- **Fig.42:** 1. Stand-by switch

3. Press the wireless activation button on the vacuum cleaner for 3 seconds until the wireless activation lamp blinks in green. And then press the wireless activation button on the tool in the same way.

- **Fig.43:** 1. Wireless activation button 2. Wireless activation lamp

If the vacuum cleaner and the tool are linked successfully, the wireless activation lamps will light up in green for 2 seconds and start blinking in blue.

NOTE: The wireless activation lamps finish blinking in green after 20 seconds elapsed. Press the wireless activation button on the tool while the wireless activation lamp on the cleaner is blinking. If the wireless activation lamp does not blink in green, push the wireless activation button briefly and hold it down again.

NOTE: When performing two or more tool registrations for one vacuum cleaner, finish the tool registration one by one.

Starting the wireless activation function

NOTE: Finish the tool registration for the vacuum cleaner prior to the wireless activation.

NOTE: Refer to the instruction manual of the vacuum cleaner, too.

After registering a tool to the vacuum cleaner, the vacuum cleaner will automatically run along with the switch operation of the tool.

1. Install the wireless unit to the tool.
2. Connect the hose of the vacuum cleaner with the tool.
► **Fig.44**
3. Set the stand-by switch on the vacuum cleaner to "AUTO".
► **Fig.45:** 1. Stand-by switch
4. Push the wireless activation button on the tool briefly. The wireless activation lamp will blink in blue.
► **Fig.46:** 1. Wireless activation button 2. Wireless activation lamp
5. Turn on the tool. Check if the vacuum cleaner runs while the tool is operating.

To stop the wireless activation of the vacuum cleaner, push the wireless activation button on the tool.

NOTE: The wireless activation lamp on the tool will stop blinking in blue when there is no operation for 2 hours. In this case, set the stand-by switch on the vacuum cleaner to "AUTO" and push the wireless activation button on the tool again.

NOTE: The vacuum cleaner starts/stops with a delay. There is a time lag when the vacuum cleaner detects a switch operation of the tool.

NOTE: The transmission distance of the wireless unit may vary depending on the location and surrounding circumstances.

NOTE: When two or more tools are registered to one vacuum cleaner, the vacuum cleaner may start running even if you do not turn on your tool because another user is using the wireless activation function.

Description of the wireless activation lamp status

- **Fig.47:** 1. Wireless activation lamp

The wireless activation lamp shows the status of the wireless activation function. Refer to the table below for the meaning of the lamp status.

Status	Wireless activation lamp			Description
	Color	<input type="checkbox"/> On <input type="checkbox"/> Blinking	Duration	
Standby	Blue	<input type="checkbox"/>	2 hours	The wireless activation of the vacuum cleaner is available. The lamp will automatically turn off when no operation is performed for 2 hours.
		<input type="checkbox"/>	When the tool is running.	The wireless activation of the vacuum cleaner is available and the tool is running.
Tool registration	Green	<input type="checkbox"/>	20 seconds	Ready for the tool registration. Waiting for the registration by the vacuum cleaner.
		<input type="checkbox"/>	2 seconds	The tool registration has been finished. The wireless activation lamp will start blinking in blue.
Cancelling tool registration	Red	<input type="checkbox"/>	20 seconds	Ready for the cancellation of the tool registration. Waiting for the cancellation by the vacuum cleaner.
		<input type="checkbox"/>	2 seconds	The cancellation of the tool registration has been finished. The wireless activation lamp will start blinking in blue.
Others	Red	<input type="checkbox"/>	3 seconds	The power is supplied to the wireless unit and the wireless activation function is starting up.
	Off	-	-	The wireless activation of the vacuum cleaner is stopped.

Cancelling tool registration for the vacuum cleaner

Perform the following procedure when cancelling the tool registration for the vacuum cleaner.

1. Install the batteries to the vacuum cleaner and the tool.
2. Set the stand-by switch on the vacuum cleaner to "AUTO".
▶ **Fig.48:** 1. Stand-by switch
3. Press the wireless activation button on the vacuum cleaner for 6 seconds. The wireless activation lamp blinks in green and then become red. After that,

press the wireless activation button on the tool in the same way.

- ▶ **Fig.49:** 1. Wireless activation button 2. Wireless activation lamp

If the cancellation is performed successfully, the wireless activation lamps will light up in red for 2 seconds and start blinking in blue.

NOTE: The wireless activation lamps finish blinking in red after 20 seconds elapsed. Press the wireless activation button on the tool while the wireless activation lamp on the cleaner is blinking. If the wireless activation lamp does not blink in red, push the wireless activation button briefly and hold it down again.

Troubleshooting for wireless activation function

Before asking for repairs, conduct your own inspection first. If you find a problem that is not explained in the manual, do not attempt to dismantle the tool. Instead, ask Makita Authorized Service Centers, always using Makita replacement parts for repairs.

State of abnormality	Probable cause (malfunction)	Remedy
The wireless activation lamp does not light/blink.	The wireless unit is not installed into the tool. The wireless unit is improperly installed into the tool.	Install the wireless unit correctly.
	The terminal of the wireless unit and/or the slot is dirty.	Gently wipe off dust and dirt on the terminal of the wireless unit and clean the slot.
	The wireless activation button on the tool has not been pushed.	Push the wireless activation button on the tool briefly.
	The stand-by switch on the vacuum cleaner is not set to "AUTO".	Set the stand-by switch on the vacuum cleaner to "AUTO".
	No power supply	Supply the power to the tool and the vacuum cleaner.

State of abnormality	Probable cause (malfunction)	Remedy
Cannot finish tool registration / cancelling tool registration successfully.	The wireless unit is not installed into the tool. The wireless unit is improperly installed into the tool.	Install the wireless unit correctly.
	The terminal of the wireless unit and/or the slot is dirty.	Gently wipe off dust and dirt on the terminal of the wireless unit and clean the slot.
	The stand-by switch on the vacuum cleaner is not set to "AUTO".	Set the stand-by switch on the vacuum cleaner to "AUTO".
	No power supply	Supply the power to the tool and the vacuum cleaner.
	Incorrect operation	Push the wireless activation button briefly and perform the tool registration/cancellation procedures again.
	The tool and vacuum cleaner are away from each other (out of the transmission range).	Get the tool and vacuum cleaner closer to each other. The maximum transmission distance is approximately 10 m however it may vary according to the circumstances.
	Before finishing the tool registration/cancellation; - the switch of the tool is turned on or; - the power button on the vacuum cleaner is turned on.	Push the wireless activation button briefly and perform the tool registration/cancellation procedures again.
	The tool registration procedures for the tool or vacuum cleaner have not finished.	Perform the tool registration procedures for both the tool and the vacuum cleaner at the same timing.
	Radio disturbance by other appliances which generate high-intensity radio waves.	Keep the tool and vacuum cleaner away from the appliances such as Wi-Fi devices and microwave ovens.
The vacuum cleaner does not run along with the switch operation of the tool.	The wireless unit is not installed into the tool. The wireless unit is improperly installed into the tool.	Install the wireless unit correctly.
	The terminal of the wireless unit and/or the slot is dirty.	Gently wipe off dust and dirt on the terminal of the wireless unit and clean the slot.
	The wireless activation button on the tool has not been pushed.	Push the wireless activation button briefly and make sure that the wireless activation lamp is blinking in blue.
	The stand-by switch on the vacuum cleaner is not set to "AUTO".	Set the stand-by switch on the vacuum cleaner to "AUTO".
	More than 10 tools are registered to the vacuum cleaner.	Perform the tool registration again. If more than 10 tools are registered to the vacuum cleaner, the tool registered earliest will be cancelled automatically.
	The vacuum cleaner erased all tool registrations.	Perform the tool registration again.
	No power supply	Supply the power to the tool and the vacuum cleaner.
	The tool and vacuum cleaner are away from each other (out of the transmission range).	Get the tool and vacuum cleaner closer each other. The maximum transmission distance is approximately 10 m however it may vary according to the circumstances.
	Radio disturbance by other appliances which generate high-intensity radio waves.	Keep the tool and vacuum cleaner away from the appliances such as Wi-Fi devices and microwave ovens.
The vacuum cleaner runs while the tool is not operating.	Other users are using the wireless activation of the vacuum cleaner with their tools.	Turn off the wireless activation button of the other tools or cancel the tool registration of the other tools.

MAINTENANCE

CAUTION: Always be sure that the tool is switched off and the battery cartridge is removed before attempting to perform inspection or maintenance.

NOTICE: Never use gasoline, benzene, thinner, alcohol or the like. Discoloration, deformation or cracks may result.

To maintain product SAFETY and RELIABILITY, repairs, any other maintenance or adjustment should be performed by Makita Authorized or Factory Service Centers, always using Makita replacement parts.

Air vent cleaning

The tool and its air vents have to be kept clean. Regularly clean the tool's air vents or whenever the vents start to become obstructed.

► **Fig.50:** 1. Exhaust vent 2. Inhalation vent

Remove the dust cover from inhalation vent and clean it for smooth air circulation.

► **Fig.51:** 1. Dust cover

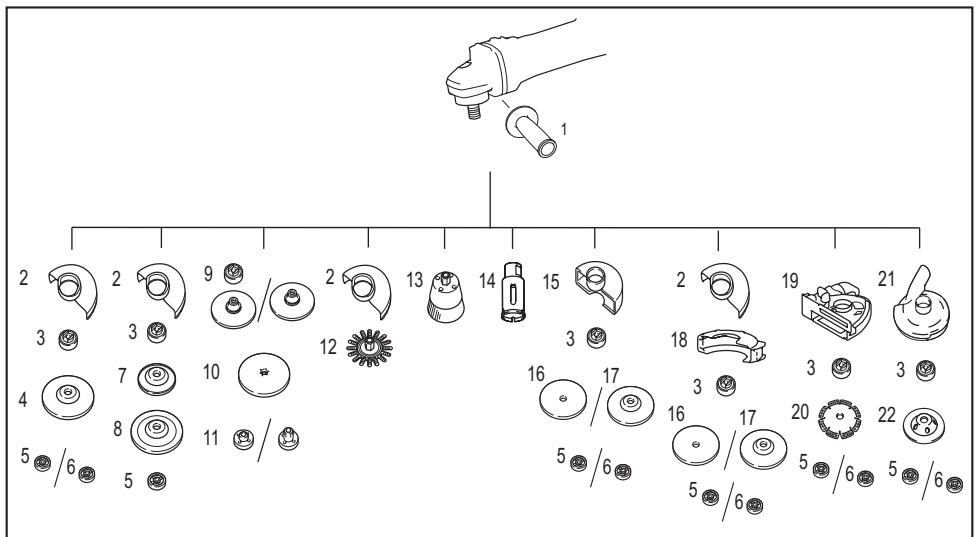
NOTICE: Clean out the dust cover when it is clogged with dust or foreign matters. Continuing operation with a clogged dust cover may damage the tool.

COMBINATION OF APPLICATIONS AND ACCESSORIES

Optional accessory

CAUTION: Using the tool with incorrect guards can cause risks as follows.

- When using a cut-off wheel guard for facial grinding, the wheel guard may interfere with the workpiece causing poor control.
- When using a grinding wheel guard for cutting-off operations with bonded abrasive wheels and diamond wheels, there is an increased risk of exposure to rotating wheels, emitted sparks and particles, as well as exposure to wheel fragments in the event of wheel burst.
- When using a cut-off wheel guard or grinding wheel guard for facial operations with cup-type diamond wheels, the wheel guard may interfere with the workpiece causing poor control.
- When using a cut-off wheel guard or grinding wheel guard with a wheel-type wire brush with a thickness greater than the maximum thickness as specified in "SPECIFICATIONS", the wires may catch on the guard leading to breaking of wires.
- Use of dust collecting wheel guards for cutting-off and facial operations in concrete or masonry reduces a risk of exposure to dust.
- When using dual purpose (combined grinding and cutting-off abrasive) flange mounted wheels, only use a cut-off wheel guard.



-	Application	100 mm model	115 mm model	125 mm model
1	-	Side grip		
2	-	Wheel guard (for grinding wheel)		
3	-	Inner flange	Inner flange / Super Flange *1*2	
4	Grinding / Sanding	Depressed center wheel / Flap disc		
5	-	Lock nut		
6	-	-	Ezynut *1*3	
7	-	Back up pad		
8	Grinding	Flex wheel		
9	-	Inner flange and rubber pad 76	Rubber pad 100	Rubber pad 115
10	Sanding	Abrasive disc		
11	-	Sanding lock nut		
12	Wire brushing	Wire wheel brush		
13	Wire brushing	Wire cup brush		
14	Hole cutting	Hole cutter		
15	-	Wheel guard (for cut-off wheel)		
16	Cutting-off	Abrasive cut-off wheel / Diamond wheel		
17	Grinding / Cutting-off	Dual purpose wheel		
18	-	Clip-on cutting wheel guard attachment *4		
19	-	Dust collecting wheel guard for cutting-off *5		
20	Cutting-off	Diamond wheel		
21	-	-	Dust collecting wheel guard for grinding *6	
22	Grinding	-	Cup-type diamond wheel *6	
-	-	Lock nut wrench		

NOTE: *1 Do not use Super Flange and Ezynut together.

NOTE: *2 Do not use Super Flange with a grinder equipped with a brake function.

NOTE: *3 Only for tools with M14 spindle thread.

NOTE: *4 Clip-on cutting wheel guard attachment is not available in some countries. For more details, refer to the instruction manual of the clip-on cutting wheel guard attachment.

NOTE: *5 For more details, refer to each instruction manual of the guard.

NOTE: *6 Only for model GA028G / GA029G / GA031G / GA032G

For more details, refer to each instruction manual of the guard.

OPTIONAL ACCESSORIES

⚠ CAUTION: These accessories or attachments are recommended for use with your Makita tool specified in this manual. The use of any other accessories or attachments might present a risk of injury to persons. Only use accessory or attachment for its stated purpose.

NOTE: Some items in the list may be included in the tool package as standard accessories. They may differ from country to country.

If you need any assistance for more details regarding these accessories, ask your local Makita Service Center.

- Makita genuine battery and charger
- Accessories listed in "COMBINATION OF APPLICATIONS AND ACCESSORIES"
- Wireless unit (For models with wireless activation function)

SPECIFIKATIONER

Modell:		GA027G	GA028G	GA029G	GA030G	GA031G	GA032G
Tillämplig slipskiva	Max. skivdiameter	100 mm	115 mm	125 mm	100 mm	115 mm	125 mm
	Max. skivtjocklek	6,4 mm	7,2 mm	6,4 mm	7,2 mm		
Tillämplig kapskiva	Max. skivdiameter	105 mm	115 mm	125 mm	105 mm	115 mm	125 mm
	Max. skivtjocklek	3,2 mm					
Tillämplig skivstålborste	Max. skivdiameter	100 mm	115 mm	125 mm	100 mm	115 mm	125 mm
	Max. skivtjocklek	20 mm					
Spindelgånga		M10	M14 eller 5/8" (landsspecifikt)	M10	M14 eller 5/8" (landsspecifikt)		
Max. spindellängd		18 mm	23 mm	18 mm	23 mm		
Hastighet utan belastning (n_n)/nominellt varvtal (n)		9 000 min ⁻¹					
Total längd	med BL4025	413 mm					
	med BL4040	425 mm					
Nettovikt		2,8 - 5,2 kg	3,0 - 5,4 kg	2,8 - 5,2 kg	2,9 - 5,3 kg		
Märkspänning		36 V - 40 V likström max					

- På grund av vårt pågående program för forskning och utveckling kan dessa specifikationer ändras utan föregående meddelande.
- Specifikationer kan variera mellan olika länder.
- Vikten kan variera beroende på tillbehöret/tillbehören, inklusive batterikassetten. Den lättaste och den tyngsta kombinationen visas i tabellen.

Tillgänglig batterikassett och laddare

Batterikassett	BL4020 / BL4025* / BL4040* / BL4040F* / BL4050F* / BL4080F* * : Rekommenderat batteri
Laddare	DC40RA / DC40RB / DC40RC / DC40WA / BCC01 / BCC02

- Vissa av batterikassetterna och laddarna på listan ovan kanske inte finns tillgängliga i din region.

⚠ VARNING: Använd endast batterikassetter och laddare från listan ovan. Användning av andra batterikassetter och laddare kan orsaka personskada och/eller brand.

Rekommenderad sladdansluten strömkälla

Bärbart strömpaket	PDC01 / PDC1200 / PDC1500
--------------------	---------------------------

- De(n) sladdanslutna strömkällan/strömkällorna på listan ovan kanske inte finns tillgängliga i din region.
- Innan du använder den sladdanslutna strömkällan ska du läsa instruktionen och varningsmärkena på den.

Symboler

Följande visar symbolerna som kan användas för utrustningen. Se till att du förstår innebörden innan användning.



Läs igenom bruksanvisningen.



Använd ögonskydd.



Använd alltid båda händerna.



Använd inte sprängskyddet vid kapning.



Gäller endast inom EU
P.g.a. förekomsten av farliga komponenter i utrustningen kan avfall innehållande elektrisk och elektronisk utrustning, ackumulatörer och batterier ha negativ inverkan på miljön och människors hälsa. Kassera inte elektriska och elektroniska apparater eller batterier ihop med hushållsavfall!
I enlighet med EU-direktiven om avfall som utgörs av eller innehåller elektrisk och elektronisk utrustning och om batterier och ackumulatörer och förbrukade batterier och ackumulatörer, och dess införlivande i nationell lagstiftning, bör förbrukad elektrisk och elektronisk utrustning, batterier och ackumulatörer förvaras separat och transporteras till en särskild uppsamlingsplats för kommunalt avfall, som drivs i enlighet med regelverket för miljöskydd. Detta anges av symbolen med den överkryssade soptunnan på hjul som sitter på utrustningen.

Avsedd användning

Verktyget är avsett för slipning, stålborstning, hålskärning och kapning i metall och stenmaterial utan användning av vatten.

Buller

Den normala bullernivån för A-belastning är bestämd enligt EN62841-2-3:

Modell	Ljudtrycksnivå (L_{pA}) : (dB(A))	Ljudeffektnivå (L_{WA}) : (dB(A))	Måttolerans (K): (dB(A))
GA027G	84	92	3
GA028G	84	92	3
GA029G	85	93	3
GA030G	84	92	3
GA031G	84	92	3
GA032G	85	93	3

OBS: Det deklarerade bullervärdet har uppmätts i enlighet med standardtestmetoden och kan användas för jämförandet av en maskin med en annan.

OBS: Det deklarerade bulleremissionsvärdet kan också användas i en preliminär bedömning av exponering för vibration.

⚠ VARNING: Använd hörselskydd.

⚠ VARNING: Bulleremissionen under faktisk användning av maskinen kan skilja sig från det deklarerade värdet, beroende på hur maskinen används och särskilt vilken typ av arbetsstycke som behandlas.

⚠ VARNING: Var noga med att identifiera säkerhetsåtgärder för att skydda användaren, vilka är grundade på en uppskattning av graden av exponering för vibrationer under de faktiska användningsförhållandena, (ta, förutom avtryckartiden, med alla delar av användarcykeln i beräkningen, som till exempel tiden då maskinen är avstängd och när den går på tomgång).

⚠ VARNING: Slipning av tunna metallplåtar eller andra lättvibrerande strukturer med stor yta kan resultera i en total bulleremission som är mycket högre (upp till 15 dB) än de deklarerade bulleremissionsvärdena.

Sätt på tunga flexibla dämpningsmattor eller liknande på dessa arbetsstycken för att förhindra att de avger ljud.

Ta hänsyn till den ökade bulleremissionen både vid riskbedömningen av bullerexponering och vid val av lämpliga hörselskydd..

Vibration

Det totala vibrationsvärdet (treaxlad vektorsumma) bestämt enligt EN62841-2-3:

Arbetsläge: planslipning med normalt sidohandtag

Modell	Vibrationsemission ($a_{h1, AG}$) : (m/s^2)	Måttolerans (K): (m/s^2)
GA027G	4,5	1,5
GA028G	5,0	1,5

Modell	Vibrationsemission ($a_{hv, AG}$) : (m/s ²)	Måttolerans (K): (m/s ²)
GA029G	6,0	1,5
GA030G	4,5	1,5
GA031G	5,0	1,5
GA032G	6,0	1,5

Arbetsläge: planslipning med anti-vibrationssidohandtag

Modell	Vibrationsemission ($a_{hv, AG}$) : (m/s ²)	Måttolerans (K): (m/s ²)
GA027G	4,5	1,5
GA028G	5,0	1,5
GA029G	6,5	1,5
GA030G	4,5	1,5
GA031G	5,0	1,5
GA032G	6,5	1,5

Arbetsläge: skivslipning med normalt sidohandtag

Modell	Vibrationsemission ($a_{hv, DS}$) : (m/s ²)	Måttolerans (K): (m/s ²)
GA027G	2,5 m/s ² eller lägre	1,5
GA028G	2,5	1,5
GA029G	3,0	1,5
GA030G	2,5 m/s ² eller lägre	1,5
GA031G	2,5	1,5
GA032G	3,0	1,5

Arbetsläge: skivslipning med anti-vibrationssidohandtag

Modell	Vibrationsemission ($a_{hv, DS}$) : (m/s ²)	Måttolerans (K): (m/s ²)
GA027G	2,5 m/s ² eller lägre	1,5
GA028G	2,5	1,5
GA029G	3,0	1,5
GA030G	2,5 m/s ² eller lägre	1,5
GA031G	2,5	1,5
GA032G	3,0	1,5

OBS: Det deklarerade totala vibrationsvärdet har uppmätts i enlighet med standardtestmetoden och kan användas för jämförandet av en maskin med en annan.

OBS: Det deklarerade totala vibrationsvärdet kan också användas i en preliminär bedömning av exponering för vibration.

⚠ VARNING: Vibrationsemissionen under faktisk användning av maskinen kan skilja sig från det deklarerade värdet, beroende på hur maskinen används och särskilt vilken typ av arbetsstycke som behandlas.

⚠ VARNING: Var noga med att identifiera säkerhetsåtgärder för att skydda användaren, vilka är grundade på en uppskattning av graden av exponering för vibrationer under de faktiska användningsförhållandena, (ta, förutom avtryckartiden, med alla delar av användarcykeln i beräkningen, som till exempel tiden då maskinen är avstängd och när den går på tomgång).

⚠ VARNING: Det deklarerade vibrationsmissionsvärdet används för maskinens huvudsakliga arbetsuppgifter. Om maskinen används för andra arbetsuppgifter kan däremot vibrationsmissionsvärdet bli annorlunda.

Försäkran om överensstämmelse

Gäller endast inom EU

Försäkran om överensstämmelse ingår i bilaga A till denna bruksanvisning.

SÄKERHETSVARNINGAR

Allmänna säkerhetsvarningar för maskiner

⚠ VARNING Läs alla säkerhetsvarningar, instruktioner, illustrationer och specifikationer som medföljer detta elverktyg. Underlåtenhet att följa alla

instruktioner nedan kan leda till elstöt, brand och/eller allvarliga personskador.

Spara alla varningar och instruktioner för framtida referens.

Termen "maskin" som anges i varningarna hänvisar till din eldrivna maskin (sladdansluten) eller batteridrivna maskin (sladdlös).

Säkerhetsvarningar för batteridriven slipmaskin

Säkerhetsvarningar för slipnings-, stålborstnings- eller kapningsarbeten:

1. **Det här elverktyget är utformat för att användas för slipning, stålborstning, hälskärning eller kapning. Läs igenom alla säkerhetsvarningar, instruktioner, illustrationer och specifikationer som medföljer detta elverktyg.** Underlåtenhet att följa instruktionerna kan leda till elstöt, brand och/eller allvarliga personskador.
2. **Det här elverktyget rekommenderas inte för poleringsarbeten.** Om elverktyget används till andra arbeten än de avsedda kan det orsaka fara och leda till personskada.
3. **Konstruera inte om detta elverktyg för att fungera på ett sätt som inte är specifikt utformat och specificerat av verktygstillverkaren.** En sådan omkonstruktion kan resultera i att du förlorar kontrollen och leda till allvarliga personskador.
4. **Använd inte tillbehör som inte är specifikt utformat och specificerade av verktygstillverkaren.** Även om ett tillbehör kan fästas på elverktyget garanterar inte detta säker drift.
5. **Tillbehörets nominella varvtalet måste vara minst lika med det maximala varvtalet som anges på elverktyget.** Tillbehör som används över det nominella varvtalet kan gå sönder och orsaka skador.
6. **Tillbehörets ytterdiameter och tjocklek måste vara anpassad till elverktygets kapacitetsklassning.** Tillbehör med felaktigt storlek kan inte skyddas eller styras tillräckligt väl.
7. **Måtten på tillbehörsfästet måste stämma överens med måtten på monteringsbeslag på elverktyget.** Tillbehör som inte passar exakt på elverktygets monteringsbeslag roterar ojämnt, vibrerar kraftigt och kan leda till att du förlorar kontrollen.
8. **Använd inte ett skadat tillbehör. Kontrollera före varje användning tillbehör som slipskiva efter hack och sprickor, underlagsplattor efter sprickor, revor och slitage samt stålborstar efter lösa eller brutna trådar. Om du tappar elverktyget eller ett tillbehör ska du kontrollera att det inte har uppstått några skador, eller så ska tillbehöret bytas ut mot ett som inte är skadat. Efter kontroll och montering av tillbehör ska du och kringstående personer hålla avstånd från det roterande tillbehörets riktning samtidigt som du kör elverktyget på maximal hastighet utan last i en minut. Skadade tillbehör går normalt sönder under den här testtiden.**
9. **Använd personlig skyddsutrustning. Använd visir, korgglasögon eller skyddsglasögon**

beroende på arbetsuppgift. Använd vid behov dammskydd, hörselskydd, handskar och skyddsfrökläde som stoppar små bitar slipmaterial eller fragment från arbetsstycket. Ögonskyddet måste kunna stoppa flygande fragment som uppstår vid olika tillämpningar. Andningsskyddet måste kunna filtrera partiklar som uppstår från arbetsuppgiften. Långvarig exponering till kraftigt buller kan orsaka hörselskador.

10. **Håll personer i omgivningen på säkert avstånd från arbetsområdet. Alla som befinner sig i arbetsområdet måste använda skyddsutrustning.** Delar av arbetsstycket eller defekta tillbehör kan slungas ut och skada åskådare även utanför det omedelbara arbetsområdet.
11. **Håll endast elverktyget i de isolerade grepppytorna om det finns risk för att skärverktyget kan komma i kontakt med en dold elkabel.** Om skärverktyget kommer i kontakt med en strömförande ledning blir elverktygets metalldelar strömförande och kan ge användaren en elektrisk stöt.
12. **Lägg aldrig elverktyget åt sidan förrän det har stannat helt.** Det roterande tillbehöret kan gripa tag i underlaget så att du förlorar kontrollen över elverktyget.
13. **Kör inte elverktyget samtidigt som du bär det med dig.** Oavsiktlig kontakt med det roterande tillbehöret kan leda till att det fastnar i dina kläder och dras in mot kroppen.
14. **Rengör regelbundet elverktygets luftventiler.** Motorns fläkt suger in damm i höljet och överdriven ansamling av pulveriserad metall kan orsaka elektrisk fara.
15. **Använd inte elverktyget i närheten av lättantändliga material.** Gnistor kan antända sådana material.
16. **Använd inte tillbehör som kräver flytande kylmedel.** Att använda vatten eller andra flytande kylmedel kan orsaka dödsfall eller elektriska stötar.

Varningar för bakåtkast och liknande:

Bakåtkast är en plötslig reaktion på en fastnyp eller kärvande roterande skiva, underlagsplatta, borste eller annat tillbehör. Nyp och kärvning orsakar ett snabbt stopp av det roterande tillbehöret vilket i sin tur okontrollerat tvingar elverktyget i motsatt riktning mot tillbehörets rörelse vid kärvningspunkten. Om till exempel en slipskiva kärvar eller kläms fast av arbetsstycket kan skivans kapande kant gräva sig in i materialytan vid klämpunkten, vilket leder till att skivan klättrar eller kastas tillbaka. Skivan kan antingen hoppa mot eller från användaren, beroende på skivans rörelseriktning vid klämpunkten. Slipskivorna kan även gå sönder under dessa omständigheter. Bakåtkast beror på ovarsamhet med elverktyget och/eller felaktiga arbetsrutiner eller omständigheter och kan undvikas genom att vidta nedanstående försiktighetsåtgärder.

1. **Se till att hålla elverktyget i ett fast grepp med båda händerna och placera kroppen och din arm på ett sätt som gör att du kan stå emot kraften från bakåtkast. Använd alltid ett extrahandtag, om sådant finns, för maximal kontroll vid bakåtkast eller vridrörelsen vid start.** Användaren kan kontrollera vridrörelsen eller

krafterna vid bakåtkast om rätt försiktighetsåtgärder vidtas.

2. **Placera aldrig din hand nära det roterande tillbehöret.** Tillbehöret kan kastas bakåt över din hand.
3. **Ställ dig inte där elverket kommer att förflytta sig i händelse av bakåtkast.** Bakåtkast driver verket i motsatt riktning till skivans rörelse vid kärningspunkten.
4. **Var speciellt försiktig när du bearbetar hörn, vassa kanter etc. Undvik att studsas och stöta tillbehöret.** Hörn, skarpa kanter eller studsning har en tendens att klämma det roterande tillbehöret och orsaka förlorad kontroll eller bakåtkast.
5. **Montera inte en sågkedja för träsnideri eller en segmenterad diamantskiva med en segmenthöjd på över 10 mm. Montera inte heller ett tandat sågblad.** Sådana blad orsakar ofta bakåtkast och förlorad kontroll.

Säkerhetsvarningar för slipnings- och kapningsarbeten:

1. **Använd endast de skivor som rekommenderas för ditt elverktyg och det särskilda sprängskyddet för den valda skivan.** Skivor som inte tillverkats för elverket kan inte skyddas tillräckligt och är inte säkra.
2. **Slipytan på skivor med försänkt centrumhål måste monteras under planet från sprängskyddets kant.** En felaktigt monterad skiva som sticker utanför planet från sprängskyddets kant är inte tillräckligt skyddad.
3. **Sprängskyddet måste vara ordentligt fäst vid elverket och placerat för maximal säkerhet, så att minsta möjliga yta av skivan är öppen mot användare.** Sprängskyddet skyddar användaren mot trasiga skivdelar, oavsiktlig kontakt med skivan och gnistor som kan antända kläder.
4. **Skivor får endast användas för angivna arbetsuppgifter. Till exempel: Slipa inte med sidan av en kapskiva.** Slipande kapskivor är avsedda för periferislipning. Sidokrafter kan spränga sådana skivor.
5. **Använd alltid oskadade skivflänsar i rätt storlek och form till din skiva.** Rätt skivflänsar stöder skivan och minskar därigenom risken för att skivan går sönder. Flänsar till kapskivor kan skilja sig från flänsar till slipskivor.
6. **Använd inte nedslitna skivor från större elverktyg.** Skivor avsedda för större elverktyg är inte lämpliga för mindre elverktygs högre varvtal och kan spricka.
7. **Använd alltid rätt skydd för arbetsuppgiften när skivor med dubbel funktion.** Underlåtenhet att använda rätt skydd kanske inte ger önskad skyddsnivå, vilket kan leda till allvarliga skador.

Ytterligare särskilda säkerhetsvarningar för kapningsarbeten:

1. **"Pressa" inte kapskivan eller utsätt den för överdrivet tryck. Försök inte att göra ett alltför stort kapdjup.** Om skivan överbelastas ökar belastningen och risken för att skivan vrids eller fastnar i kapet samt risken för bakåtkast eller att skivan går sönder.
2. **Placera inte din kropp längs med eller bakom**

den roterande skivan. När skivan rör sig ifrån dig vid ingreppspunkten, kan ett bakåtkast skicka den roterande skivan och elverket mot dig.

3. **Om skivan kärvar eller om ett kap av någon anledning avbryts stänger du av elverket och håller det stilla tills skivan har stannat helt. Försök aldrig att ta ut kapskivan ur skåret när skivan är i rörelse, då detta kan orsaka bakåtkast.** Undersök och vidta korrigeringsåtgärder för att eliminera orsaken till att skivan fastnar.
4. **Starta inte om kapningen med tillbehöret kvar i arbetsstycket. Låt skivan uppnå full hastighet och för den varsamt in i spåret igen.** Skivan kan fastna, vandra uppåt eller kastas bakåt om elverket startas om i arbetsstycket.
5. **Stötta långa eller stora arbetsstycken för att minimera risken för att skivan fastnar och kastas bakåt.** Stora arbetsstycken tenderar att svikta på grund av sin egen vikt. Stöd måste placeras under arbetsstycket nära såglinjen och nära arbetsstyckets kanter på båda sidorna om skivan.
6. **Var extra försiktig vid genomstickssågning i en befintlig vägg eller andra dolda utrymmen.** Den utskjutande skivan kan kapa gas- eller vattenledningar, elledningar eller föremål som kan orsaka bakåtkast.
7. **Försök inte att kapa in en kurva.** Om skivan överbelastas ökar belastningen och risken för att skivan vrids eller fastnar i kapet samt risken för bakåtkast eller att skivan går sönder, vilket kan leda till allvarliga personskadorna.
8. **Innan du använder en segmenterad diamantskiva ska du se till att diamantskivan har en segmenthöjd på högst 10 mm, endast med negativ spåninkel.**

Särskilda säkerhetsvarningar för sliparbeten:

1. **Använd runda slippapper av rätt storlek. Följ tillverkarens rekommendationer när du väljer slippapper.** Större slippapper som sticker ut för långt utanför slipplattan ger risk för rivsår och kan orsaka kärvning, revor i skivan eller bakåtkast.

Särskilda säkerhetsvarningar för stålborstningsarbeten:

1. **Var uppmärksam på att trådbitar kastas ut från borsten även vid normal användning. Överbelasta inte trådarna genom att anlägga onödigt stor kraft mot borsten.** Trådarna kan enkelt gå igenom tunnare klädsel och/eller huden.
2. **Om användning av skydd specificeras för stålborstning får inte borsten eller borsten gå emot skyddet.** Borstskivan eller borstens diameter kan expandera på grund av belastningen eller centrifugalkraften.

Ytterligare säkerhetsvarningar:

1. **Vid användning av nedsänkta center-rondeller ska endast glasfiberförstärkta rondeller användas.**
2. **ANVÄND ALDRIG sten-skålskivor med denna slipmaskin.** Denna slipmaskin är inte konstruerad för denna typ av skivor och användningen av dessa kan resultera i allvarlig personskada.
3. **Var försiktig så att inte spindeln, flänsen (i synnerhet monteringsytan) eller låsmuttern skadas.** Skador på någon av dessa delar kan

- medföra att rondellen förstörs.
4. Se till att rondellen inte är i kontakt med arbetsstycket när du trycker på avtryckaren.
 5. Låt verktyget vara igång en stund innan det används på arbetsstycket. Kontrollera att skivan inte vibrerar eller skakar, vilket kan innebära att den är felaktigt monterad eller dåligt balanserad.
 6. Slipa endast med den del av rondellen som är avsedd för slipning.
 7. Lämna inte maskinen igång. Använd endast maskinen när du håller den i händerna.
 8. Rör inte vid arbetsstycket omedelbart efter arbetet. Det kan vara extremt varmt och orsaka brännskador.
 9. Rör inte vid tillbehör omedelbart efter arbetet. Det kan vara extremt varmt och orsaka brännskador.
 10. Följ tillverkarens anvisningar för korrekt montering och användning av skivor och tillbehör. Felaktig montering och användning kan orsaka personskada.
 11. Hantera och förvara skivorna varsamt.
 12. Använd inte separata reducerhylsor eller adapterar för att kunna använda sliprondeller med större hål.
 13. Använd endast flänsar som är avsedda för den här maskinen.
 14. Kontrollera att gänglängden i rondellen är tillräckligt lång för spindellängden om rondellen är avsedd att gängas fast.
 15. Kontrollera att arbetsstycket är ordentligt fastsatt.
 16. Tänk på att rondellen fortsätter att rotera efter att maskinen stängts av.
 17. Om arbetsplatsen är extremt varm och fuktig, eller har hög koncentration av elektriskt ledande damm, ska jordfelsbrytare (30 mA) användas för användarens säkerhet.
 18. Använd inte maskinen för material som innehåller asbest.
 19. Använd alltid det dammuppsamlade sprängskyddet när du arbetar med en kapskiva om så krävs enligt nationella regler.
 20. Kapskivor får inte utsättas för sidkrafter.
 21. Använd inte arbetshandskar i tyg när du arbetar med maskinen. Fibrer från tyghandskar kan komma in i maskinen och orsaka fel.
 22. Innan användning måste du se till att det inte finns några begravningsföremål som elrör, vattenrör eller gasrör i arbetsstycket. Annars kan det orsaka elstöt, elektriskt läckage eller gasläcka.
 23. Ta inte bort skivunderlägget om ett sådant sitter på skivan. Diametern på skivunderlägget måste vara större än låsmuttern, den yttre flänsen och den inre flänsen.
 24. Innan slipskivan monteras, kontrollera alltid att inte några delar av skivunderlägget har avvikelser så som hack eller sprickor.
 25. Dra åt låsmuttern ordentligt. För hård åtdragning av skivan kan orsaka brott och otillräcklig åtdragning kan orsaka fladdrande.

⚠ VARNING: GLÖM INTE att också fortsättningsvis strikt följa säkerhetsanvisningarna för maskinen även efter att du blivit van att använda den. Vid **FELAKTIG HANTERING** av maskinen eller om inte säkerhetsanvisningarna i denna bruksanvisning följs kan följden bli allvarliga personskador.

Viktiga säkerhetsanvisningar för batterikassetten

1. Innan batterikassetten används ska alla instruktioner och varningsmärken på (1) batteriladdaren, (2) batteriet och (3) produkten läsas.
2. Montera inte isär eller mixtra med batterikassetten. Det kan leda till brand, överdriven värme eller explosion.
3. Om drifttiden blivit avsevärt kortare ska användningen avbrytas omedelbart. Det kan uppstå överhettning, brännskador och t o m en explosion.
4. Om du får elektrolyt i ögonen ska de sköljas med rent vatten och läkare uppsökas omedelbart. Det finns risk för att synen förloras.
5. Kortslut inte batterikassetten.
 - (1) Rör inte vid polerna med något strömförande material.
 - (2) Undvik att förvara batterikassetten tillsammans med andra metallobjekt som t.ex. spikar, mynt o.s.v.
 - (3) Skydda batteriet mot vatten och regn. En batterikortslutning kan orsaka ett stort strömflöde, överhettning, brand och maskinhaveri.
6. Förvara och använd inte verktyget och batterikassetten på platser där temperaturen kan nå eller överstiga 50 °C.
7. Bränn inte upp batterikassetten även om den är svårt skadad eller helt utsliten. Batterikassetten kan explodera i öppen eld.
8. Spika inte i, krossa, kasta, tappa eller slå batterikassetten mot hårda föremål. Dylika handlingar kan leda till brand, överdriven värme eller explosion.
9. Använd inte ett skadat batteri.
10. De medföljande litiumjonbatterierna är föremål för kraven i gällande lagstiftning för farligt gods. För kommersiella transporter (av t.ex. tredje parter som speditorsfirmor) måste de särskilda transportkrav som anges på emballaget och etiketter iakttas. För att förbereda den produkt som ska avsändas krävs att du konsulterar en expert på riskmaterial. Var också uppmärksam på att det i ditt land kan finnas ytterligare föreskrifter att följa. Tejpa över eller maskera blottade kontakter och packa batteriet på sådant sätt att det inte kan röra sig fritt i förpackningen.
11. När batterikassetten ska kasseras måste den tas bort från maskinen och kasseras på ett säkert sätt. Följ lokala föreskrifter beträffande avfallshandtering av batteriet.

SPARA DESSA ANVISNINGAR.

12. Använd endast batterierna med de produkter som specificerats av Makita. Att använda batterierna med ej godkända produkter kan leda till brand, överdriven värme, explosion eller utläckande elektrolyt.
13. Om maskinen inte används under en lång tid måste batteriet tas bort från maskinen.
14. Under och efter användning kan batterikassetten bli het vilket kan orsaka brännskador eller lättare brännskador. Var uppmärksam på hur du hanterar varma batterikassetter.
15. Vidrör inte verktygets kontakter direkt efter användning eftersom de kan bli heta och orsaka brännskador.
16. Låt inte flisor, damm eller smuts fastna i kontaktarna, i håll eller spår i batterikassetten. Det kan leda till att verktyget eller batterikassetten värms upp, fattar eld, går sönder eller inte fungerar som de ska, vilket kan orsaka brännskador eller personsador.
17. Såvida inte verktyget stöder arbeten i närheten av högspänningsledning får batterikassetten inte användas i närheten av en högspänningsledning. Det kan leda till att verktyget eller batterikassetten går sönder eller inte fungerar korrekt.
18. Förvara batteriet utom räckhåll för barn.

SPARA DESSA ANVISNINGAR.

⚠ FÖRSIKTIGT: Använda endast äkta Makita-batterier. Användning av oäkta Makita-batterier eller batterier som har manipulerats kan leda till person- och utrustningsskador eller till att batteriet fattar eld. Det upphäver också Makitas garanti för verktyget och laddaren.

Tips för att uppnå batteriets maximala livslängd

1. Ladda batterikassetten innan den är helt urladdad. Stanna alltid maskinen och ladda batterikassetten när du märker att maskinen blir svagare.
2. Ladda aldrig en fulladdad batterikasset. Överladdning förkortar batteriets livslängd.
3. Ladda batterikassetten vid en rumstemperatur på 10 °C - 40 °C. Låt en varm batterikasset svalna innan den laddas.
4. När batterikassetten inte används ska den tas bort från verktyget eller laddaren.
5. Ladda batterikassetten om du inte har använt den på länge (mer än sex månader).

Viktiga säkerhetsanvisningar för den trådlösa enheten

1. Montera inte isär eller manipulera den trådlösa enheten.
2. Förvara den trådlösa enheten utom räckhåll för barn. Om den råkar sväljas, sök omedelbart läkarhjälp.
3. Använd den trådlösa enheten endast ihop med Makita-verktyg.
4. Utsätt inte den trådlösa enheten för regn eller våta förhållanden.
5. Använd inte den trådlösa enheten på platser där temperaturen överstiger 50 °C.
6. Använd inte den trådlösa enheten på platser där medicinska instrument som pacemakers finns i närheten.
7. Använd inte den trådlösa enheten på platser där automatiska enheter finns i närheten. Om de är igång kan automatiska enheter utveckla funktionsstörningar eller fel.
8. Använd inte den trådlösa enheten på platser med hög temperatur eller där det kan skapas statisk elektricitet eller elektriskt brus.
9. Den trådlösa enheten kan alstra elektromagnetiska fält (EMF) men dessa är inte skadliga för användaren.
10. Den trådlösa enheten är ett noggrant instrument. Var försiktig så att du inte råkar tappa den trådlösa enheten eller utsätta den för stötar.
11. Undvik att vidröra den trådlösa enhetens terminal med bara händer eller metallmaterial.
12. Ta alltid bort batteriet på produkten när du installerar den trådlösa enheten på den.
13. När du öppnar skårans lock, undvik då det ställe där damm och vatten kan komma in i skåran. Håll alltid skårans inlopp rent.
14. Sätt alltid in den trådlösa enheten i rätt riktning.
15. Tryck inte för hårt på knappen för trådlös aktivering på den trådlösa enheten, och tryck inte på knappen med ett föremål med vass kant.
16. Stäng alltid skårans lock vid körning.
17. Ta inte bort den trådlösa enheten från skåran medan ström tillförs till verktyget. Att göra det kan orsaka funktionsfel på den trådlösa enheten.
18. Ta inte bort dekalen på den trådlösa enheten.
19. Sätt inte någon dekal på den trådlösa enheten.
20. Lämna inte den trådlösa enheten någonstans där det kan skapas statisk elektricitet eller elektriskt brus.
21. Lämna inte den trådlösa enheten någonstans där den utsätts för hög värme, t.ex. en bil i solen.
22. Lämna inte den trådlösa enheten på ett dammigt eller pulvrigt ställe eller någonstans där korrosiv gas kan bildas.
23. Plötsliga temperaturförändringar kan göra den trådlösa enheten daggbestänkt. Använd inte den trådlösa enheten förrän dagen helt har torkat bort.
24. När den trådlösa enheten rengörs, torka den då med en torr mjuk duk. Använd inte tvättbensin, thinner, konduktivt fett eller liknande.
25. När den trådlösa enheten ska tas i förvar, ha den då i det tillhörande fodralet eller en behållare med skydd mot statisk laddning.
26. Sätt inte in några andra enheter än den trådlösa Makita-enheten i skåran på verktyget.
27. Använd inte verktyget om skårans lock är skadat. Det kan komma in vatten, damm och smuts i skåran som orsakar funktionsfel.
28. Dra eller vrid inte skårans lock mer än nödvändigt. Sätt tillbaka locket om det lossnar från

verktyget.

29. Ersätt skärans lock om det går förlorat eller skadas.

SPARA DESSA ANVISNINGAR.

FUNKTIONSBE- SKRIVNING

⚠ FÖRSIKTIGT: Se alltid till att maskinen är avstängd och batterikassetten borttagen innan du justerar maskinen eller kontrollerar dess funktioner.

Montera eller demontera batterikassetten

⚠ FÖRSIKTIGT: Stäng alltid av maskinen innan du monterar eller tar bort batterikassetten.

⚠ FÖRSIKTIGT: Håll stadigt i maskinen och batterikassetten när du monterar eller tar bort batterikassetten. I annat fall kan det leda till att de glider ur dina händer och orsakar skada på maskinen och batterikassetten samt personskada.

Sätt i batterikassetten genom att rikta in tungan på batterikassetten mot spåret i höljet och skjut den på plats. Tryck in batterikassetten ordentligt tills den låser fast med ett klick. Om du kan se den röda indikatorn som bilden visar är den inte låst ordentligt.

Ta bort batterikassetten genom att skjuta ner knappen på kassetten framsida samtidigt som du drar ut batterikassetten.

► **Fig.1:** 1. Röd indikator 2. Knapp 3. Batterikassett

⚠ FÖRSIKTIGT: Sätt alltid i batterikassetten helt tills den röda indikatorn inte längre syns. I annat fall kan den oväntat falla ur verktyget och skada dig eller någon annan.

⚠ FÖRSIKTIGT: Montera inte batterikassetten med våld. Om kassetten inte lätt glider på plats är den felinsatt.

Indikerar kvarvarande batterikapacitet

Tryck på kontrollknappen på batterikassetten för att se kvarvarande batterikapacitet. Indikatorlamporna lyser i ett par sekunder.

► **Fig.2:** 1. Indikatorlampor 2. Kontrollknapp

Indikatorlampor			Kvarvarande kapacitet
Upplyst	Av	Blinkar	
■	□	◐	75% till 100%
■ ■ ■ ■	□ □ □ □		
■ ■ ■ ■	□ □ □ □		50% till 75%

Indikatorlampor			Kvarvarande kapacitet
Upplyst	Av	Blinkar	
■ ■ ■ ■	□ □ □ □		25% till 50%
■ ■ ■ ■	□ □ □ □		0% till 25%
◐ □ □ □	□ □ □ □		Ladda batteriet.
■ ■ ■ ■	□ □ □ □	↑ ↓	Batteriet kan ha skadats.
□ □ □ □	■ ■ ■ ■		

OBS: Beroende på användningsförhållanden och den omgivande temperaturen kan indikationen skilja sig lätt från den faktiska batterikapaciteten.

OBS: Den första (längst till vänster) indikatorlampan kommer att blinka när batteriskyddssystemet fungerar.

Skyddssystem för maskinen/ batteriet

Verktyget är utrustat med ett skyddssystem för verktyget/batteriet. Detta system bryter automatiskt strömmen till motorn för att förlänga verktygets och batteriets livslängd. Verktyget stoppar automatiskt under användningen om verktyget eller batteriet hamnar i en av följande situationer:

Överbelastningsskydd

Om verktyget/batteriet används på ett sätt som gör att det drar onormalt mycket ström kan det stoppas automatiskt utan varning. När detta sker stänger du av verktyget och upphör med arbetet som gjorde att verktyget överbelastades. Starta därefter upp verktyget igen.

Överhettningsskydd

När verktyget/batteriet överhettas stoppas verktyget automatiskt. Låt verktyget svalna innan du startar den igen.

Överurladdningsskydd

När batteriets kapacitet är otillräcklig stoppar maskinen automatiskt. I sådant fall ska batteriet tas ur maskinen och laddas.

Frigöra skyddslåset

När skyddssystemet arbetar flera gånger låses verktyget.

I denna situation startar inte maskinen även om den slås av och sedan på igen. För att frigöra skyddslåset tar du ur batteriet, sätter det i batteriladdaren och väntar tills laddningen är klar.

Skydd mot andra orsaker

Skyddssystemet är också utvecklat för att hantera andra orsaker som skulle kunna skada verktyget och tillåter verktyget att stanna automatiskt. Ta följande steg

för att åtgärda felen när verktyget stannat temporärt eller helt.

1. Se till att alla avtryckare är i avstängt läge och sätt sedan på verktyget igen för att starta om.
2. Laddning av batteriet/batterierna och ersätt det/dem med laddade batteri(er).
3. Låt verktyget och batteri(erna) svalna.

Om ingen förbättring kan hittas genom att återställa skyddssystemet, kontakta ditt lokala Makita Service Center.

Spindellås

⚠ VARNING: Aktivera aldrig spindellåset medan spindeln rör sig. Det kan orsaka allvarliga personskador eller skador på verktyget.

Tryck ned spindellåset för att förhindra att spindeln roterar när du monterar eller tar bort tillbehör.

► **Fig.3:** 1. Spindellås

Avtryckarens funktion

⚠ FÖRSIKTIGT: Kontrollera alltid att avtryckaren löser ut ordentligt och återgår till läget "OFF" när den släpps innan batterikassetten installeras i verktyget.

⚠ FÖRSIKTIGT: Detta verktyg är utrustat med en säkerhetsspärr som förhindrar oavsiktlig start. Använd ALDRIG verktyget om det startar när du trycker på avtryckaren utan att ha tryckt in säkerhetsspärren. Returnera verktyget till ett auktoriserat servicecenter för reparation INNAN du fortsätter att använda det.

⚠ FÖRSIKTIGT: Tryck aldrig in avtryckaren hårt utan att ha tryckt in säkerhetsspärren. I annat fall kan avtryckaren skadas.

⚠ FÖRSIKTIGT: Sätt ALDRIG säkerhetsspärren ur funktion genom att t.ex. tejpa över den.

För att förhindra att avtryckaren trycks in av misstag finns det en säkerhetsspärr.

Starta verktyget genom att dra säkerhetsspärren mot dig, och tryck sedan in avtryckaren.

För att stoppa maskinen släpper du avtryckaren.

► **Fig.4:** 1. Säkerhetsspärr 2. Avtryckare

Ratt för hastighetsinställning

Maskinens rotationshastighet kan ändras genom att vrida på ratten för hastighetsinställning. Tabellen nedan visar rattens nummer och motsvarande hastighet.

► **Fig.5:** 1. Ratt för hastighetsinställning

Nummer	Hastighet
1	3 000 min ⁻¹
2	4 500 min ⁻¹
3	6 000 min ⁻¹
4	7 500 min ⁻¹
5	9 000 min ⁻¹

OBSERVERA: Om maskinen används oavbrutet på låg hastighet under lång tid överbelastas motorn, vilket leder till funktionsfel på maskinen.

OBSERVERA: Ratten för hastighetsinställning kan endast vridas upp till 5 och tillbaka till 1. Tvinga den inte förbi 5 eller 1, eftersom hastighetsinställningen då kan sättas ur funktion.

Funktion för att förhindra oavsiktlig omstart

Om batterikassetten sätts in när reglaget är i läget ON startar inte verktyget.

Starta verktyget genom att stänga av reglaget och sedan slå på det igen.

Aktiv teknik för avkänning av återkoppling

Maskinen identifierar situationer på elektronisk väg där hjul eller tillbehör riskerar att fastna. I en sådan situation stängs maskinen automatiskt av för att förhindra att spindeln roterar ytterligare (emellertid förhindras inte bakåtkast).

För att starta om maskinen stänger du först av den, avlägsnar orsaken till den plötsliga minskningen av rotationshastigheten, och slår sedan på maskinen igen.

Mjukstartfunktion

Mjukstartfunktionen dämpar startchocken.

Elektronisk broms

Endast för modell GA027G / GA028G / GA029G

Den elektroniska bromsen aktiveras när maskinen stängs av.

Bromsen fungerar inte när strömtillförseln stängs av (t.ex. om batteriet tas ur) med avtryckaren aktiverad.

MONTERING

⚠ FÖRSIKTIGT: Se alltid till att maskinen är avstängd och batterikassetten borttagen innan du justerar maskinen eller kontrollerar dess funktioner.

Montera sidohandtaget

⚠ FÖRSIKTIGT: Kontrollera alltid att sidohandtaget sitter fast ordentligt innan arbetet påbörjas.

Skruva fast sidohandtaget ordentligt på rätt plats på maskinen enligt figuren.

► **Fig.6**

Montera eller demontera sprängskyddet

⚠ VARNING: När en sliprondell med försänkt nav, lamellslipskiva, flexibel rondell eller skivstålborste används måste sprängskyddet monteras på maskinen så att den slutna sidan alltid är vänd mot användaren.

⚠ VARNING: Se till att sprängskyddet är ordentligt låst med låsspaken med ett av hälen i sprängskyddet.

⚠ VARNING: Vid användning av en kap-/diamantskiva ska du vara noga med att endast använda det speciella sprängskydd som är avsett för användning tillsammans med kapskivor.

För rondell med försänkt navrondell, lamellskiva, flexibel rondell, skivstålborste/kapskiva, diamantskiva

1. När du trycker på låsspaken monterar du sprängskyddet så att de utskjutande delarna på sprängskyddets band passar in i uttagen på lagerhuset.

► **Fig.7:** 1. Låsspak 2. Skåra 3. Utsprång

2. När du trycker låsspaken mot A, skjuter du in sprängskyddet genom att hålla ner delarna B enligt vad som visas på bilden.

► **Fig.8:** 1. Sprängskydd 2. Hål

OBS: Tryck sprängskyddet rakt ner. I annat fall kan du inte trycka ner sprängskyddet helt.

3. Medan du håller låsspaken och sprängskyddets position som beskrivs i steg 2, rotera sprängskyddet mot C, och därefter ändrar du vinkeln på sprängskyddet i enlighet med arbetsstycket så operatören är skyddad. Passa in låsspaken med ett av hälen i sprängskyddet, och lossa sedan låsspaken för att låsa sprängskyddet.

► **Fig.9:** 1. Sprängskydd 2. Hål

OBS: Tryck sprängskyddet helt. I annat fall kan du inte rotera sprängskyddet.

Gör på omvänt sätt för att ta bort sprängskyddet.

Sprängskyddstillbehör för kapning med klämma

Valfria tillbehör

OBS: För kapningsarbeten kan ett sprängskyddstillbehör för kapning med klämma användas med sprängskyddet (för slipskivor).

Ej tillgängligt i alla länder.

► **Fig.10**

Montera eller ta bort sliprondell med försänkt nav eller lamellslipskiva

Valfria tillbehör

⚠ VARNING: När en sliprondell med försänkt nav eller lamellslipskiva används, måste sprängskyddet monteras på maskinen så att den slutna sidan alltid är vänd mot användaren.

⚠ VARNING: Se till att den monterade delen av den inre flänsen passar perfekt in i den inre diametern av den försänkta navrondellen/lamellskivan. Montering av den inre flänsen på fel sida kan leda till farliga vibrationer.

Montera den inre flänsen på spindeln. Se till att den buktade delen av den inre flänsen monteras på den raka delen längst ned på spindeln.

Passa in den försänkta navrondellen/lamellskivan på den inre flänsen och skruva på låsmuttern på spindeln.

► **Fig.11:** 1. Låsmutter 2. Försänkt navrondell 3. Inre fläns 4. Monteringsdel

Tryck in spindellåset ordentligt för att dra fast låsmuttern så att spindeln inte kan rotera. Använd sedan tappnyckeln för att dra åt ytterligare.

► **Fig.12:** 1. Tappnyckel för låsmutter 2. Spindellås

Gör på omvänt sätt för att ta bort rondellen.

Montera eller ta bort flexibel rondell

Valfria tillbehör

⚠ VARNING: Använd alltid det medföljande skyddet när en flexibel rondell är monterad på maskinen. Skivan kan splittras under användningen och skyddet minskar risken för personskador.

► **Fig.13:** 1. Låsmutter 2. Flexibel rondell 3. Stödplatta 4. Inre fläns

Följ anvisningarna för nedsänkt centrumhåll, men använd även en stödplatta över skivan.

Montera eller ta bort sliprondell

Valfria tillbehör

OBS: Använd endast slipningstillbehör som specificeras i denna bruksanvisning. Dessa måste köpas separat.

För modell med 100 mm (4")

► **Fig.14:** 1. Låsmutter för slipning 2. Sliprondell 3. Gummidyna 4. Inre fläns

1. Montera den inre flänsen på spindeln.
2. Fäst gummidynan på spindeln.
3. Passa in rondellen över gummidynan och skruva fast låsmuttern för slipning på spindeln.
4. Håll i spindeln med spindellåset och dra åt låsmuttern för slipning ordentligt med tappnyckeln.

Följ monteringsanvisningarna i omvänd ordning för att ta bort rondellen.

För modeller andra än 100 mm (4")

- **Fig.15:** 1. Låsmutter för slipning 2. Sliprondell
3. Gummidyndyna

1. Fäst gummidyndynan på spindeln.
2. Passa in rondellen över gummidyndynan och skruva fast låsmuttern för slipning på spindeln.
3. Håll in spindeln med spindellåset och dra åt låsmuttern för slipning ordentligt med tappnyckeln.

Följ monteringsanvisningarna i omvänd ordning för att ta bort rondellen.

Superfläns

Valfria tillbehör

Superflänsar är specialtillbehör för modeller som INTE är utrustade med en bromsfunktion. Modeller med bokstaven F är utrustade med en superfläns som standard. Endast 1/3 ansträngning behövs för att lossa muttern jämfört med konventionell typ.

Montering eller demontering av Ezynut

Valfria tillbehör

Endast för maskiner med M14-spindelgänga.

⚠FÖRSIKTIGT: Använd inte Ezynut med en superfläns. Dessa flänsar är så tjocka att hela gängan inte kan hållas kvar av spindeln.

Montera innerflänsen, slipskivan och Ezynut på spindeln så att Makitas logotyp på Ezynut är vänd utåt.

- **Fig.16:** 1. Ezynut 2. Sliprondell 3. Inre fläns
4. Spindel

Tryck in spindellåset och dra åt Ezynut genom att vrida slipskivan medurs så långt som den går att vrida.

- **Fig.17:** 1. Spindellås

Vrid ytterringen på Ezynut moturs för att lossa Ezynut.

OBS: Ezynut kan lossas för hand så länge som pilen är riktad mot skåran. Annars behövs det en tappnyckel för att lossa den. Sätt in en av tappnyckelns stift i ett av hålen och vrid Ezynut moturs.

- **Fig.18:** 1. Pil 2. Spår
► **Fig.19**

Installation av kap-/diamantskiva

Valfria tillbehör

⚠VARNING: Vid användning av en kap-/diamantskiva ska du vara noga med att endast använda det speciella sprängskydd som är avsett för användning tillsammans med kapskivor.

⚠VARNING: Använd ALDRIG kapskivor för sidoslipning.

- **Fig.20:** 1. Låsmutter 2. Kap-/diamantskiva 3. Inre fläns 4. Sprängskydd för kap-/diamantskiva

Följ anvisningarna för den försänkta navrondellen för montering.

Riktningen för att montera låsmuttern och den inre flänsen varierar beroende på skivans typ och tjocklek.

Se följande figurer.

För modell med 100 mm (4")

När du monterar kapskivan:

- **Fig.21:** 1. Låsmutter 2. Slipande kapskiva (tunnare än 4 mm (5/32")) 3. Slipande kapskiva (4 mm (5/32") eller tjockare) 4. Inre fläns

När du monterar diamantskivan:

- **Fig.22:** 1. Låsmutter 2. Diamantskiva (tunnare än 4 mm (5/32")) 3. Diamantskiva (4 mm (5/32") eller tjockare) 4. Inre fläns

För modeller andra än 100 mm (4")

När du monterar kapskivan:

- **Fig.23:** 1. Låsmutter 2. Slipande kapskiva (tunnare än 4 mm (5/32")) 3. Slipande kapskiva (4 mm (5/32") eller tjockare) 4. Inre fläns

När du monterar diamantskivan:

- **Fig.24:** 1. Låsmutter 2. Diamantskiva (tunnare än 4 mm (5/32")) 3. Diamantskiva (4 mm (5/32") eller tjockare) 4. Inre fläns

Installation av skålformad stålborste

Valfria tillbehör

⚠FÖRSIKTIGT: Använd inte en skålformad stålborste som är skadad eller obalanserad.

Användning av en skadad skålformad stålborste kan öka risken för skador på grund av kontakt med trasiga borstrådar.

Placera verktyget upp och ned för att få enkel åtkomst till spindeln.

Ta bort eventuella tillbehör på spindeln. Trä den skålformade stålborsten på spindeln och dra åt med medföljande nyckel.

- **Fig.25:** 1. Skålformad stålborste

Installation av skivstålborste

Valfria tillbehör

⚠FÖRSIKTIGT: Använd inte en skivstålborste som är skadad eller obalanserad. Användning av en skadad skivstålborste kan öka risken för skador på grund av kontakt med trasiga borstrådar.

⚠FÖRSIKTIGT: Använd ALLTID skydd tillsammans med skivstålborstar och kontrollera att skivdiametern passar innanför skyddet. Skivan kan splittras under användningen och skyddet minskar risken för personskador.

Placera verktyget upp och ned för att få enkel åtkomst till spindeln.

Ta bort eventuella tillbehör på spindeln. Montera skivstålborsten på spindeln och dra åt med nycklarna.

- **Fig.26:** 1. Skivstålborste

Montera en hålskärare

Valfria tillbehör

Placera verktyget upp och ned för att få enkel åtkomst

till spindeln.

Ta bort eventuella tillbehör från spindeln. Gånga på hälskäraren på spindeln och dra åt den med den medföljande skiftnyckeln.

► **Fig.27:** 1. Hälskärare

Montera ett dammuppsamlande sprängskydd för slipning

Endast för modell GA028G / GA029G / GA031G / GA032G

Valfria tillbehör

Med valfria tillbehör kan du använda detta verktyg för att hyvla betongtytor.

⚠ FÖRSIKTIGT: Det dammuppsamlande sprängskyddet för offset-diamantskivan används endast vid betonghyvling med diamantskiva. Använd inte detta sprängskydd med andra kapningstillbehör eller för andra användningsområden.

⚠ FÖRSIKTIGT: Se till att dammsugaren är ansluten till verktyget och påslagen innan användning.

Placera verktyget upp och ned och montera det dammuppsamlande sprängskyddet.

Montera den inre flänsen på spindeln.

Passa in diamantskivan av skåltyp på den inre flänsen och dra åt låsmuttern på spindeln.

► **Fig.28:** 1. Låsmutter 2. Diamantskiva av kopptyp 3. Diamantskiva av navkapseltyp 4. Inre fläns 5. Dammuppsamlande sprängskydd 6. Lagerhus

OBS: Information om hur man installerar det dammuppsamlande sprängskyddet finns i dess bruksanvisning.

Montera ett dammuppsamlande sprängskydd för kapning

Valfria tillbehör

Med valfria tillbehör kan du använda detta verktyg för att kapa stenmaterial.

► **Fig.29**

OBS: Information om hur man installerar det dammuppsamlande sprängskyddet finns i dess bruksanvisning.

Ansluta en dammsugare

Valfria tillbehör

⚠ VARNING: Dammsug aldrig metallpartiklar från slipning/kapning. Metallpartiklar från dylik bearbetning är så varma att de kan antända filtret inne i dammsugaren.

Använd ett sprängskydd med dammuppsamlare och en dammsugare för att undvika dammiga miljöer orsakade av sågning i trä.

Se bruksanvisningen som är fäst på sprängskyddets dammuppsamlare för montering och användning.

► **Fig.30:** 1. Dammuppsamlande sprängskydd
2. Slang på dammsugare

ANVÄNDNING

⚠ VARNING: Tänk på att aldrig tvinga maskinen. Maskinens vikt ska utgöra ett tillräckligt tryck. Tvång eller överdrivet tryck kan resultera i farliga rondellbrott.

⚠ VARNING: Byt ALLTID ut rondellen om den har tappats under slipning.

⚠ VARNING: Slå ALDRIG med rondellen på arbetsstycket.

⚠ VARNING: Undvik att studsas eller hackas med rondeller, i synnerhet i närheten av hörn, skarpa kanter osv. Det är lätt att i dessa situationer förlora kontrollen över maskinen så att den kastas bakåt.

⚠ VARNING: Använd ALDRIG maskinen med sågklingor avsedda för trä eller andra sågblad. Att använda sådana klingor i slipmaskiner innebär stor risk för bakåtkast som kan förorsaka personskador.

⚠ FÖRSIKTIGT: Starta aldrig maskinen när denna är i kontakt med arbetsstycket. Det kan orsaka personskador.

⚠ FÖRSIKTIGT: Använd alltid skyddsglasögon eller visir under arbetet.

⚠ FÖRSIKTIGT: När du är klar med arbetet ska du vänta tills rondellen stannat helt innan du lägger maskinen åt sidan.

⚠ FÖRSIKTIGT: Håll ALLTID maskinen i ett fast grepp med ena handen på huset och den andra på sidohandtaget.

OBS: En skiva med dubbel funktion kan användas för både slipnings- och kapningsarbeten.

Läs "Slipningsarbeten" för slipningsarbeten och "Användning av kap-/diamantskiva" för kapningsarbeten.

Slipning av trä och metall

► **Fig.31**

Starta maskinen och för rondellen eller skivan mot arbetsstycket.

I allmänhet är det lämpligt att hålla kanten på skivan/rondellen i ungefär 15° vinkel mot arbetsstycket.

Under inkörning av en ny skiva/rondell ska slipmaskinen inte föras i en framåtriktning eftersom den då kan köra fast i arbetsstycket. När kanten på skivan/rondellen har rundats av kan den användas i båda riktningarna (framåt och bakåt).

Användningsexempel: användning med diamantskiva av skåltyp

► **Fig.32**

Håll verktyget horisontellt och applicera hela diamantskivan av skåltyp mot arbetsstyckets yta.

Användning av kap-/diamantskiva

Valfria tillbehör

⚠ VARNING: "Pressa" inte skivan eller utsätt den för överdrivet tryck. Försök inte att göra ett alltför stort kapdjup. Överbelastning av skivan ökar trycket och risken för att skivan vrids eller fastnar i skäret vilket kan orsaka bakåtkast, sprucken skiva och överhettad motor.

⚠ VARNING: Starta inte skärningen med maskinen i arbetsstycket. Låt skivan komma upp i full hastighet och för den försiktigt in i skäret genom att föra maskinen framåt över arbetsstyckets yta. Kapskivan kan fastna, vandra uppåt eller kastas bakåt om elverktyget startas om i arbetsstycket.

⚠ VARNING: Under skärningen får skivans vinkel aldrig ändras. Sidotryck på kapskivan (som vid slipning) medför att skivan spricker och sprängs, vilket kan leda till svåra personskador.

⚠ VARNING: En diamantskiva ska arbetas vinkelrätt mot det material som ska kapas.

Användningsexempel: användning med slipande kapskiva

► Fig.33

Användningsexempel: användning med diamantskiva

► Fig.34

Användning av den skålformade stålborsten

Valfria tillbehör

⚠ FÖRSIKTIGT: Kontrollera hur den skålformade stålborsten fungerar genom att köra verktyget utan belastning och försäkra dig om att ingen finns framför eller i linje med den skålformade stålborsten.

OBSERVERA: Undvik att använda för mycket tryck vilket gör att trådarna böjs för mycket vid användning av den skålformade stålborsten. Det kan leda till förtida slitage.

Användningsexempel: användning med skålformad stålborste

► Fig.35

Användning av skivstålborsten

Valfria tillbehör

⚠ FÖRSIKTIGT: Kontrollera hur skivstålborsten fungerar genom att köra maskinen utan belastning och försäkra dig om att ingen finns framför eller i linje med skivstålborsten.

OBSERVERA: Undvik att använda för mycket tryck vilket gör att trådarna böjs för mycket vid användning av skivstålborsten. Det kan leda till att borsten förbrukas i förtid.

Användningsexempel: användning med skivstålborste

► Fig.36

Användning med hålskärare

Valfria tillbehör

⚠ FÖRSIKTIGT: Kontrollera hur hålskäraren fungerar genom att köra verktyget utan belastning och försäkra dig om att ingen finns framför eller i linje med hålskäraren.

OBSERVERA: Luta inte verktyget under drift. Det kan leda till för tidigt brott.

Användningsexempel: användning med hålskärare

► Fig.37

FUNKTION FÖR TRÅDLÖS AKTIVERING

Vad du kan göra med funktionen för trådlös aktivering

Funktionen för trådlös aktivering möjliggör en ren och bekväm körning. Genom att ansluta en dammsugare som stöds till verktyget, kan du göra så att dammsugaren automatiskt körs samtidigt som du använder verktygets knappfunktion.

► Fig.38

Gör i ordning följande artiklar för att använda funktionen för trådlös aktivering:

- En trådlös enhet (valfritt tillbehör)
- En dammsugare som har stöd för funktionen för trådlös aktivering

Översikten över inställningen av funktionen för trådlös aktivering är följande. Se detaljerade rutiner i varje avsnitt.

1. Installera den trådlösa enheten
2. Verktygsregistrering för dammsugaren
3. Starta funktionen för trådlös aktivering

Installera den trådlösa enheten

Valfria tillbehör

⚠ FÖRSIKTIGT: Placera verktyget på en platt och stabil yta när den trådlösa enheten installeras.

OBSERVERA: Rensa bort damm och smuts från verktyget innan den trådlösa enheten installeras. Damm eller smuts kan orsaka funktionsfel om det kommer in i skåran på den trådlösa enheten.

OBSERVERA: För att förebygga funktionsfel till följd av statisk laddning vidrör du ett statiskt urladdande material, t.ex. en metalldel på verktyget, innan du plockar upp den trådlösa enheten.

OBSERVERA: Se alltid till när du installerar den trådlösa enheten att den är insatt i rätt riktning och att locket är helt stängt.

1. Öppna locket på verktyget enligt figuren.

► **Fig.39:** 1. Lucka

2. Sätt in den trådlösa enheten i skåran och stäng sedan locket.

När du sätter in den trådlösa enheten, passa då in de utskjutande delarna med de insänkta delarna i skåran.

► **Fig.40:** 1. Trådlös enhet 2. Utskjutande del 3. Lucka 4. Insänkt del

Öppna locket långsamt när du tar bort den trådlösa enheten. Krokarna på lockets baksida lyfter den trådlösa enheten när du drar upp locket.

► **Fig.41:** 1. Trådlös enhet 2. Krok 3. Lucka

När den trådlösa enheten tagits bort, ha den då i det tillhörande fodralet eller en behållare med skydd mot statisk laddning.

OBSERVERA: Använd alltid krokarna på lockets baksida när du tar bort den trådlösa enheten. Om krokarna inte fångar upp den trådlösa enheten, stänger du locket helt och öppnar det långsamt igen.

Verktysregistrering för dammsugaren

OBS: För verktysregistreringen krävs en Makita-dammsugare som har stöd för den trådlösa aktiveringsfunktionen.

OBS: Avsluta installationen av den trådlösa enheten till verktyget innan du inleder verktysregistreringen.

OBS: Använd inte avtryckaren under verktysregistreringen och vrid inte på strömbrytaren på dammsugaren.

OBS: Se också bruksanvisningen för dammsugaren.

Om du vill aktivera dammsugaren tillsammans med verktygets knappfunktion, ska du slutföra verktysregistreringen i förväg.

1. Installera batterierna till dammsugaren och verktyget.

2. Sätt dammsugarens stand-by-omkopplare på "AUTO".

► **Fig.42:** 1. Stand-by-omkopplare

3. Tryck på knappen för trådlös aktivering på dammsugaren i 3 sekunder tills lampan för trådlös aktivering blinkar grönt. Tryck sedan på knappen för trådlös aktivering på verktyget på samma sätt.

► **Fig.43:** 1. Knapp för trådlös aktivering 2. Lampan för trådlös aktivering

Om dammsugaren och verktyget har kopplats ihop ordentligt, kommer lamporna för trådlös aktivering att lysa grönt i 2 sekunder och börja blinka i blått.

OBS: Lamporna för trådlös aktivering slutar blinka grönt efter att 20 sekunder har gått. Tryck på knappen för trådlös aktivering på maskinen när lampan för trådlös aktivering på dammsugaren blinkar. Om lampan för trådlös aktivering inte blinkar grönt, trycker du kort på knappen för trådlös aktivering och håller in den igen.

OBS: När du utför två eller flera verktysregistreringar för en dammsugare avslutar du verktysregistreringarna en och en.

Starta funktionen för trådlös aktivering

OBS: Avsluta verktysregistreringen för dammsugaren före den trådlösa aktiveringen.

OBS: Se också bruksanvisningen för dammsugaren.

Efter att ett verktyg registrerats till dammsugaren kommer den att köras automatiskt tillsammans med verktygets knappfunktion.

1. Installera den trådlösa enheten till verktyget.

2. Anslut dammsugarslangens till verktyget.

► **Fig.44**

3. Sätt dammsugarens stand-by-omkopplare på "AUTO".

► **Fig.45:** 1. Stand-by-omkopplare

4. Tryck kort på knappen för trådlös aktivering på verktyget. Lampan för trådlös aktivering blinkar blått.

► **Fig.46:** 1. Knapp för trådlös aktivering 2. Lampan för trådlös aktivering

5. Slå på verktyget. Kontrollera att dammsugaren är igång när verktyget används.

För att stoppa den trådlösa aktiveringen av dammsugaren trycker du på knappen för trådlös aktivering på verktyget.

OBS: Lampan för trådlös aktivering på verktyget slutar blinka blått när ingen användning har skett på 2 timmar. Sätt i så fall standby-omkopplaren på dammsugaren på "AUTO" och tryck igen på knappen för trådlös aktivering på verktyget.

OBS: Dammsugaren startar/stannar med en fördröjning. Det blir en tidsfördröjning när dammsugaren känner av en knappfunktion från verktyget.

OBS: Sändningsavståndet till den trådlösa enheten kan variera beroende på plats och omständigheter i omgivningen.

OBS: När två eller flera verktyg är registrerade till en dammsugare, kan dammsugaren gå igång även om du inte slår på verktyget eftersom en annan användare använder funktionen för trådlös aktivering.

Beskrivning av status för lampan för trådlös aktivering

► **Fig.47:** 1. Lampan för trådlös aktivering

Lampan för trådlös aktivering visar status för den trådlösa aktiveringsfunktionen. Se innebörden av lampans status i tabellen nedan.

Status	Lampa för trådlös aktivering				Beskrivning
	Färg	<input type="checkbox"/> På	<input type="checkbox"/> Blinkar	Varaktighetstid	
Standby	Blå	<input checked="" type="checkbox"/>		2 timmar	Den trådlösa aktiveringen av dammsugaren är tillgänglig. Lampan släcks automatiskt när ingen användning har ägt rum på 2 timmar.
		<input type="checkbox"/>		När verktyget är igång.	Den trådlösa aktiveringen av dammsugaren är tillgänglig och verktyget är igång.
Verktysregistrering	Grön	<input checked="" type="checkbox"/>		20 sekunder	Redo för verktysregistrering. Väntar på registrering från dammsugaren.
		<input type="checkbox"/>		2 sekunder	Verktysregistreringen har avslutats. Lampan för trådlös aktivering börjar blinka blått.
Upphåver verktysregistrering	Röd	<input checked="" type="checkbox"/>		20 sekunder	Redo för att upphäva verktysregistreringen. Väntar på upphävande från dammsugaren.
		<input type="checkbox"/>		2 sekunder	Upphävandet av verktysregistreringen har avslutats. Lampan för trådlös aktivering börjar blinka blått.
Övriga	Röd	<input type="checkbox"/>		3 sekunder	Ström tillförs till den trådlösa enheten och funktionen för trådlös aktivering startar.
	Av	-		-	Den trådlösa aktiveringen av dammsugaren stoppas.

Upphåver verktysregistrering för dammsugaren

Utför följande rutin vid upphävande av verktysregistreringen för dammsugaren.

1. Installera batterierna till dammsugaren och verktyget.
2. Sätt dammsugarens stand-by-omkopplare på "AUTO".
► **Fig.48:** 1. Stand-by-omkopplare
3. Tryck på knappen för trådlös aktivering på dammsugaren i 6 sekunder. Lampan för trådlös aktivering blinkar grönt och blir sedan röd. Tryck sedan på

knappen för trådlös aktivering på verktyget på samma sätt.

► **Fig.49:** 1. Knapp för trådlös aktivering 2. Lampa för trådlös aktivering

Om upphävandet har utförts ordentligt, kommer lamporna för trådlös aktivering att lysa rött i 2 sekunder och börja blinka i blått.

OBS: Lamporna för trådlös aktivering slutar blinka rött efter att 20 sekunder har gått. Tryck på knappen för trådlös aktivering på maskinen när lampan för trådlös aktivering på dammsugaren blinkar. Om lampan för trådlös aktivering inte blinkar rött, trycker du kort på knappen för trådlös aktivering och håller in den igen.

Felsökning för funktionen för trådlös aktivering

Innan du ber om reparation ska du först utföra en egen kontroll. Om du hittar ett problem som inte finns förklarat i bruksanvisningen ska du inte försöka att ta isär maskinen. Fråga istället ett auktoriserad servicecenter för Makita, och använd alltid reservdelar från Makita för reparationer.

Feltillstånd	Trolig orsak (felsfunktion)	Åtgärd
Lampan för trådlös aktivering lyser/ blinkar inte.	Den trådlösa enheten är inte installerad till verktyget. Den trådlösa enheten är felaktigt installerad till verktyget.	Installera den trådlösa enheten korrekt.
	Den trådlösa enhetens kontakt och/eller skåran är smutsig.	Torka försiktigt av damm och smuts på den trådlösa enhetens kontakt och rengör skåran.
	Knappen för trådlös aktivering på verktyget har inte tryckts.	Tryck kort på knappen för trådlös aktivering på verktyget.
	Stand-by-omkopplaren på dammsugaren är inte satt på "AUTO".	Sätt dammsugarens stand-by-omkopplare på "AUTO".
	Ingen strömtillförsel	Koppla in ström till verktyget och dammsugaren.

Feltillstånd	Trolig orsak (felsfunktion)	Åtgärd
Kan inte avsluta verktygsregistrering/ upphäva verktygsregistrering.	Den trådlösa enheten är inte installerad till verktyget. Den trådlösa enheten är felaktigt installerad till verktyget.	Installera den trådlösa enheten korrekt.
	Den trådlösa enhetens kontakt och/eller skåran är smutsig.	Torka försiktigt av damm och smuts på den trådlösa enhetens kontakt och rengör skåran.
	Stand-by-omkopplaren på dammsugaren är inte satt på "AUTO".	Sätt dammsugarens stand-by-omkopplare på "AUTO".
	Ingen strömtillförsel	Koppla in ström till verktyget och dammsugaren.
	Felaktig funktion	Tryck kort på knappen för trådlös aktivering och utför rutinerna för verktygsregistrering-/upphävande igen.
	Verktyget och dammsugaren är åtskilda från varandra (utanför sändningsområdet).	Se till att verktyget och dammsugaren hamnar närmare varandra. Det maximala sändningsavståndet är ca 10 m, men det kan variera beroende på omständigheterna.
	Innan verktygsregistreringen-/upphävandet avslutas: - verktygets omkopplare har slagits på, - strömknappen på dammsugaren har slagits på.	Tryck kort på knappen för trådlös aktivering och utför rutinerna för verktygsregistrering-/upphävande igen.
	Verktygsregistreringsrutinerna för verktyget eller dammsugaren har inte slutförts.	Utför verktygsregistreringsrutinerna för både verktyget och dammsugaren på samma gång.
	Radiostörningar från andra apparater som skapar högtintensiva radiovågor.	Håll verktyget och dammsugaren borta från apparater som WiFi-enheter och mikrovågsugnar.
Damsugaren är inte igång samtidigt som verktygets knappfunktion.	Den trådlösa enheten är inte installerad till verktyget. Den trådlösa enheten är felaktigt installerad till verktyget.	Installera den trådlösa enheten korrekt.
	Den trådlösa enhetens kontakt och/eller skåran är smutsig.	Torka försiktigt av damm och smuts på den trådlösa enhetens kontakt och rengör skåran.
	Knappen för trådlös aktivering på verktyget har inte tryckts.	Tryck kort på knappen för trådlös aktivering och försäkra dig om att lampan för trådlös aktivering blinkar blått.
	Stand-by-omkopplaren på dammsugaren är inte satt på "AUTO".	Sätt dammsugarens stand-by-omkopplare på "AUTO".
	Fler än 10 verktyg är registrerade till dammsugaren.	Utför verktygsregistreringen igen. Om fler än 10 verktyg är registrerade till dammsugaren, blir det verktyg som registrerades tidigare automatiskt upphävt.
	Damsugaren har raderat alla verktygsregistreringar.	Utför verktygsregistreringen igen.
	Ingen strömtillförsel	Koppla in ström till verktyget och dammsugaren.
	Verktyget och dammsugaren är åtskilda från varandra (utanför sändningsområdet).	Se till att verktyget och dammsugaren hamnar närmare varandra. Det maximala sändningsavståndet är ca 10 m, men det kan variera beroende på omständigheterna.
	Radiostörningar från andra apparater som skapar högtintensiva radiovågor.	Håll verktyget och dammsugaren borta från apparater som WiFi-enheter och mikrovågsugnar.
Damsugaren är igång när verktyget inte används.	Andra användare använder den trådlösa aktiveringen av dammsugaren med sina verktyg.	Stäng av de andra verktygens knappar för trådlös aktivering eller upphäv verktygsregistreringen för de andra verktygen.

UNDERHÅLL

⚠ FÖRSIKTIGT: Se alltid till att maskinen är avstängd och batterikassetten borttagen innan inspektion eller underhåll utförs.

OBSERVERA: Använd inte bensin, förtunningsmedel, alkohol eller liknande. Missfärgning, deformation eller sprickor kan uppstå.

För att upprätthålla produktens SÄKERHET och TILLFÖRLITLIGHET bör allt underhålls- och justeringsarbete utföras av ett auktoriserat Makita servicecenter och med reservdelar från Makita.

Rengöring av ventilationsöppningar

Håll maskinen och luftventilerna rena. Rengör maskinens ventiler regelbundet eller så snart ventilationen försämrats.

► **Fig.50:** 1. Utblås 2. Inlopp

Ta bort dammskyddet från ventilationsinloppet och

rengör det för jämn luftcirkulation.

► **Fig.51:** 1. Dammkåpa

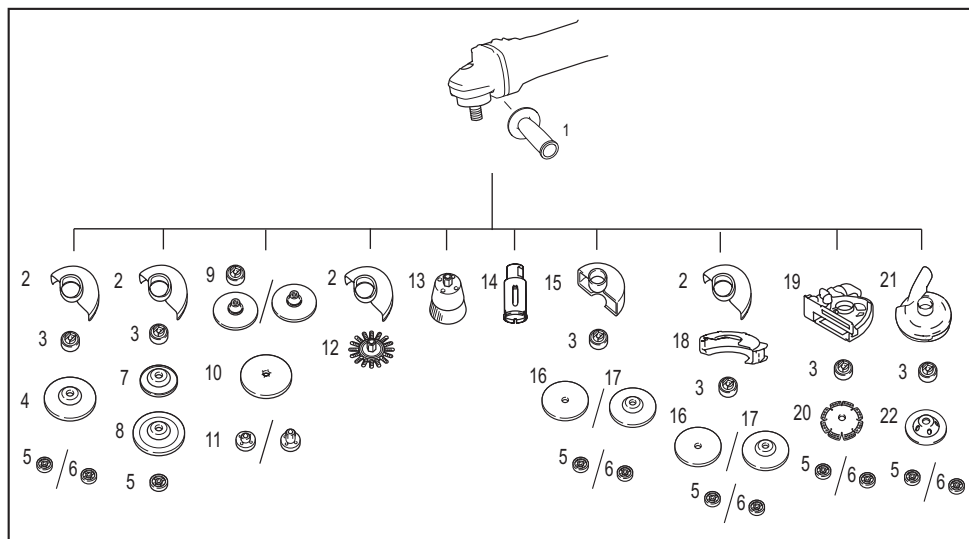
OBSERVERA: Rengör dammskyddet när det är igensatt med damm eller främmande material. Om du fortsätter att använda maskinen med ett igensatt dammskydd kan den skadas.

KOMBINATION AV ANVÄNDNINGSMRÅDEN OCH TILLBEHÖR

Valfria tillbehör

⚠ FÖRSIKTIGT: Användning av verktyget med felaktiga skydd kan orsaka risker enligt följande.

- Om ett sprängskydd för kapning används för ytslipning kan sprängskyddet vara i vägen för arbetsstycket och orsaka dålig kontroll.
- Om ett sprängskydd för slipning används för kapningsarbeten med förstärkta slipskivor och diamentkivor ökas risken för exponering till den roterande skivan, avgivna gnistor och partiklar, samt exponering till skivfragment i händelse av brott på skivan.
- Om ett sprängskydd för kapning eller ett sprängskydd för ytslipning används med diamentkivor av skåltyp kan sprängskyddet vara i vägen för arbetsstycket och orsaka dålig kontroll.
- Om ett sprängskydd för kapning eller ett sprängskydd för slipning används med en skivstålborste med en tjocklek större än den specificerade maximala tjockleken i "SPECIFIKATIONER" kan trådarna fastna på skyddet och göra att trådarna bryts.
- Om dammuppsamlande sprängskydd används för kapning och ytarbeten på betong och murverk minskar risken för exponering till damm.
- Om flänsmonterade skivor med dubbel funktion (kombinerad slip- och kapskiva) användas får endast ett sprängskydd för kapning användas.



-	Användningsområde	100 mm modell	115 mm modell	125 mm modell
1	-	Sidohandtag		
2	-	Sprängskydd (för slipskiva)		
3	-	Inre fläns	Inre fläns/superfläns *1*2	
4	Slipning	Försänkt navrondell/lamellskiva		
5	-	Låsmutter		

-	Användningsområde	100 mm modell	115 mm modell	125 mm modell
6	-	-	Ezynut *1*3	
7	-	Stödplatta		
8	Slipning	Flexibel rondell		
9	-	Inre fläns och gummip-latta 76	Gummiplatta 100	Gummiplatta 115
10	Slipning med papper	Sliprondell		
11	-	Låsmutter för slipning		
12	Stålbörstning	Skivstålbörste		
13	Stålbörstning	Skålformad stålbörste		
14	Hålskärning	Hålskärare		
15	-	Sprängskydd (för kapskiva)		
16	Kapning	Kap-/diamantskiva		
17	Slipning/kapning	Skiva med dubbel funktion		
18	-	Sprängskyddstillbehör för kapning med klämma *4		
19	-	Dammuppsamlande sprängskydd för kapning *5		
20	Kapning	Diamantskiva		
21	-	-	Dammuppsamlande sprängskydd för slipning *6	
22	Slipning	-	Diamantskiva av skåltyp *6	
-	-	-	Tappnyckel för låsmutter	

OBS: *1 Använd inte superfläns och Ezynut tillsammans.

OBS: *2 Använd inte superfläns med en slipmaskin utrustad med bromsfunktion.

OBS: *3 Endast för verktyg med M14-spindelgänga.

OBS: *4 Sprängskyddstillbehör för kapning med klämma är inte tillgängliga i vissa länder. Detaljerad information finns i bruksanvisningen till sprängskyddstillbehöret för kapning med klämma.

OBS: *5 Mer information finns i bruksanvisningen för varje skydd.

OBS: *6 Endast för modell GA028G / GA029G / GA031G / GA032G

Mer information finns i bruksanvisningen för varje skydd.

VALFRIA TILLBEHÖR

⚠ FÖRSIKTIGT: Följande tillbehör eller tillsatser rekommenderas för användning med den Makita-maskin som denna bruksanvisning avser.

Om andra tillbehör eller tillsatser används kan det uppstå risk för personskador. Använd endast tillbehören eller tillsatserna för de syften de är avsedda för.

Kontakta ditt lokala Makita servicecenter om du behöver ytterligare information om dessa tillbehör.

- Makitas originalbatteri och -laddare
- Tillbehör i "KOMBINATION AV ANVÄNDNINGSSOMRÅDEN OCH TILLBEHÖR"
- Trådlös enhet (för modeller med funktion för trådlös aktivering)

OBS: Några av tillbehören i listan kan vara inkluderade i maskinpaketet som standardtillbehör. De kan variera mellan olika länder.

TEKNISKE DATA

Modell:		GA027G	GA028G	GA029G	GA030G	GA031G	GA032G
Kompatibel slipeskive	Maks. skivediameter	100 mm	115 mm	125 mm	100 mm	115 mm	125 mm
	Maks. hjultrykkelse	6,4 mm	7,2 mm	6,4 mm	7,2 mm		
Kompatibel kappeskive	Maks. skivediameter	105 mm	115 mm	125 mm	105 mm	115 mm	125 mm
	Maks. hjultrykkelse	3,2 mm					
Kompatibel rundbørste	Maks. skivediameter	100 mm	115 mm	125 mm	100 mm	115 mm	125 mm
	Maks. hjultrykkelse	20 mm					
Spindelgjenger		M10	M14 eller 5/8" (landspesifikk)	M10	M14 eller 5/8" (landspesifikk)		
Maks. spindelengde		18 mm	23 mm	18 mm	23 mm		
Hastighet uten belastning (n_0) / nominell hastighet (n)		9 000 min ⁻¹					
Total lengde	med BL4025	413 mm					
	med BL4040	425 mm					
Nettovekt		2,8 – 5,2 kg	3,0 – 5,4 kg	2,8 – 5,2 kg	2,9 – 5,3 kg		
Merkespenning		DC 36 V - 40 V maks					

- På grunn av vårt kontinuerlige forsknings- og utviklingsprogram kan spesifikasjonene som oppgis i dette dokumentet endres uten varsel.
- Spesifikasjonene kan variere fra land til land.
- Vekten kan variere avhengig av tilbehøret/tilbehørene, inkludert batteriet. Den letteste og tyngste kombinasjonen vises i tabellen.

Passende batteri og lader

Batteriinsats	BL4020 / BL4025* / BL4040* / BL4040F* / BL4050F* / BL4080F* * : Anbefalt batteri
Lader	DC40RA / DC40RB / DC40RC / DC40WA / BCC01 / BCC02

- Noen av batteriene og laderne som er opplistet ovenfor er kanskje ikke tilgjengelige, avhengig av hvor du bor.

⚠ ADVARSEL: Bruk kun de batteriene og laderne som er opplistet ovenfor. Bruk av andre batterier og ladere kan føre til personskader og/eller brann.

Anbefalt ledning koblet til strømkilde

Bærbar lader	PDC01 / PDC1200 / PDC1500
--------------	---------------------------

- De(n) ledningstilkoblede strømkilden(e) som er oppgitt ovenfor er kanskje ikke tilgjengelige, avhengig av hvor du bor.
- Før du bruker de ledningstilkoblede strømkildene, må du lese instruksjons- og forsiktighetsskilt på dem.

Symboler

Nedenfor ser du symbolene som kan brukes for dette utstyret. Forvis deg om at du forstår hva de betyr, før du begynner å bruke maskinen.



Les bruksanvisningen.



Bruk vernebriller.



Må alltid betjenes med to hender.



Ikke bruk beskyttelseskappen ved kaparbeid.



Kun for EU-land

På grunn av forekomst av farlige komponenter i utstyret, kan avfall fra elektrisk og elektronisk utstyr, akkumulatører og batterier ha en negativ innvirkning på miljøet og menneskers helse.

Ikke kast elektriske og elektroniske apparater eller batterier sammen med husholdningsavfall!

I samsvar med det europeiske direktivet om avfall fra elektrisk og elektronisk utstyr og om akkumulatører og batterier samt akkumulatører og batterier som skal kastes, samt deres tilpasning til nasjonal lovgivning, skal brukt elektrisk utstyr samt brukte batterier og akkumulatører samles inn separat og leveres til et eget innsamlingssted for kommunalt avfall, som driver virksomhet i samsvar med miljøvernforskriftene.

Dette er angis av symbolet med den overkryssede avfallsbeholderen som er plassert på utstyret.

Riktig bruk

Verktøyet er beregnet på sliping, pussing, stålborsting og hullskjæring og kapping av metall og steinmaterialer uten bruk av vann.

Støy

Typisk A-vektet lydtryknivå er bestemt i henhold til EN62841-2-3:

Modell	Lydtryknivå (L_{pA}): (dB(A))	Lydeffektnivå (L_{WA}): (dB(A))	Usikkerhet (K): (dB(A))
GA027G	84	92	3
GA028G	84	92	3
GA029G	85	93	3
GA030G	84	92	3
GA031G	84	92	3
GA032G	85	93	3

MERK: Den/de oppgitte verdien(e) for genererte vibrasjoner har blitt målt i henhold til standard testmetoder, og kan bli brukt til å sammenligne ett verktøy med et annet.

MERK: Den/de angitte verdien(e) for de genererte vibrasjonene kan også brukes til en foreløpig vurdering av eksponeringen.

⚠ ADVARSEL: Bruk hørselsvern.

⚠ ADVARSEL: De genererte vibrasjonene ved faktisk bruk av elektroverktøyet kan avvike fra den/de angitte vibrasjonsverdien(e), avhengig av hvordan verktøyet brukes.

⚠ ADVARSEL: Sørg for å identifisere vernetiltak for å beskytte operatøren, som er basert på et estimat av eksponeringen under de faktiske bruksforholdene (idet det tas hensyn til alle deler av driftssyklusen, dvs. hvor lenge verktøyet er slått av, hvor lenge det går på tomgang og hvor lenge startbryteren faktisk holdes trykket).

⚠ ADVARSEL: Sliping av tynne metallplater eller andre lett vibrerende strukturer med stor overflate kan føre til et samlet støyinnivå som er mye høyere (opptil 15 dB) enn de angitte støyverdiene.

Legg tunge, fleksible dempematter eller lignende på arbeidsstykkene for å hindre at de avgir støy.

Ta hensyn til det høyere støyinnivået både ved risikovurdering av støyeksponering og ved valg av egnet hørselsvern.

Vibrasjoner

Den totale vibrasjonsverdien (triaksial vektorsum) bestemt i henhold EN62841-2-3:

Arbeidsmåte: Overflatesliping med normalt støttehåndtak

Modell	Generert vibrasjon ($a_{hv, AG}$): (m/s ²)	Usikkerhet (K): (m/s ²)
GA027G	4,5	1,5
GA028G	5,0	1,5
GA029G	6,0	1,5

Modell	Generert vibrasjon ($a_{hr, AG}$) : (m/s ²)	Usikkerhet (K): (m/s ²)
GA030G	4,5	1,5
GA031G	5,0	1,5
GA032G	6,0	1,5

Arbeidsmåte: Overflatesliping med vibrasjonssikkert støttehåndtak

Modell	Generert vibrasjon ($a_{hr, AG}$) : (m/s ²)	Usikkerhet (K): (m/s ²)
GA027G	4,5	1,5
GA028G	5,0	1,5
GA029G	6,5	1,5
GA030G	4,5	1,5
GA031G	5,0	1,5
GA032G	6,5	1,5

Arbeidsmåte: Plansliping med normalt støttehåndtak

Modell	Avgitt vibrasjon ($a_{hr, DS}$) : (m/s ²)	Usikkerhet (K): (m/s ²)
GA027G	2,5 m/s ² eller mindre	1,5
GA028G	2,5	1,5
GA029G	3,0	1,5
GA030G	2,5 m/s ² eller mindre	1,5
GA031G	2,5	1,5
GA032G	3,0	1,5

Arbeidsmåte: Plansliping med vibrasjonssikkert støttehåndtak

Modell	Avgitt vibrasjon ($a_{hr, DS}$) : (m/s ²)	Usikkerhet (K): (m/s ²)
GA027G	2,5 m/s ² eller mindre	1,5
GA028G	2,5	1,5
GA029G	3,0	1,5
GA030G	2,5 m/s ² eller mindre	1,5
GA031G	2,5	1,5
GA032G	3,0	1,5

MERK: Den/de oppgitte verdien(e) for totalt genererte vibrasjoner har blitt målt i henhold til standard testmetoder, og kan bli brukt til å sammenligne ett verktøy med et annet.

MERK: Den/de angitte verdien(e) for totalt genererte vibrasjoner kan også brukes til en foreløpig vurdering av eksponeringen.

⚠ ADVARSEL: De genererte vibrasjonene ved faktisk bruk av elektroverktøyet kan avvike fra den/de angitte vibrasjonsverdien(e), avhengig av hvordan verktøyet brukes og spesielt i forhold til arbeidsstykket som blir behandlet.

⚠ ADVARSEL: Sørg for å identifisere vernetiltak for å beskytte operatøren, som er basert på et estimat av eksponeringen under de faktiske bruksforholdene (idet det tas hensyn til alle deler av driftssyklusen, dvs. hvor lenge verktøyet er slått av, hvor lenge det går på tomgang og hvor lenge startbryteren faktisk holdes trykket).

⚠ ADVARSEL: Den oppgitte verdien for genererte vibrasjoner brukes for hovedbruksområdene for elektroverktøyet. Hvis verktøyet brukes til andre formål, kan verdien for de genererte vibrasjonene være en annen.

Samsvarserklæringer

Gjelder kun for land i Europa

Samsvarserklæringerne er lagt til som vedlegg A i denne bruksanvisningen.

SIKKERHETSADVARSEL

Generelle advarsler angående sikkerhet for elektroverktøy

⚠ ADVARSEL Les alle sikkerhetsadvarsler, instruksjoner, illustrasjoner og spesifikasjoner som følger med dette elektroverktøyet. Hvis ikke alle

instruksjonene nedenfor følges, kan det føre til elektrisk støt, brann og/eller alvorlig personskade.

Oppbevar alle advarsler og instruksjoner for senere bruk.

Uttrykket «elektrisk verktøy» i advarslene refererer både til elektriske verktøy (med ledning) tilkoblet strømmenettet, og batteridrevne verktøy (uten ledning).

Sikkerhetsadvarsler for batteridrevet slipemaskin

Vanlige sikkerhetsadvarsler for sliping, pussing, stålborsting og kapping:

- 1. Dette elektroverktøyet er beregnet for sliping, pussing, stålborsting, hullskjæring og kapping. Les alle sikkerhetsadvarsler, instruksjoner, illustrasjoner og spesifikasjoner som følger med dette elektroverktøyet.** Hvis ikke alle instruksjonene nedenfor følges, kan det føre til elektrisk støt, brann og/eller alvorlig personskade.
- 2. Polering og lignende skal ikke utføres med dette verktøyet.** Bruk av elektroverktøyet til noe annet enn det er beregnet på kan medføre fare og forårsake personskade.
- 3. Ikke konverter dette elektroverktøyet til å fungere på en måte det ikke er spesifikt konstruert og spesifisert for av verktøyprodusenten.** Slik konvertering kan føre til tap av kontroll og forårsake alvorlig personskade.
- 4. Ikke bruk tilbehør som ikke er spesielt utviklet og spesifisert av verktøyprodusenten.** Det at tilbehøret kan monteres på verktøyet, betyr ikke at det er trygt å bruke.
- 5. Nominell hastighet for tilbehøret må være minst like høy som største nominelle hastighet på elektroverktøyet.** Tilbehør som kjøres med større hastighet enn det som er angitt, kan gå i stykker og slynges ut.
- 6. Den utvendige diameteren og tykkelsen på tilbehøret må ligge innenfor den angitte kapasiteten for elektroverktøyet.** Tilbehør i feil størrelse kan ikke sikres eller kontrolleres tilstrekkelig.
- 7. Målene på tilbehørfestet må passe med målene på monteringsmekanismen på elektroverktøyet.** Tilbehør som ikke passer til monteringsmekanismen på verktøyet, vil komme ut av balanse, vibrere sterkt og kan føre til at du mister kontrollen.
- 8. Ikke bruk skadet tilbehør. Før bruk må du undersøke om tilbehør som for eksempel slipeskiver har hakk eller sprekker, om bakrondeller har sprekker eller er slitt og om stålborster har løse eller ødelagte tråder.** Hvis elektroverktøyet eller tilbehøret faller, må du undersøke om det har oppstått skade og eventuelt skifte det ut med uskadd tilbehør. Når et tilbehør er undersøkt og montert, skal du plassere deg selv og andre utenfor tilbehørets rotasjonsplan og kjøre elektroverktøyet på maksimal hastighet uten belastning i ett minutt. Skadd tilbehør vil vanligvis gå i stykker i løpet av en slik test.
- 9. Bruk personlig verneutstyr. Avhengig av bruksområdet, må du bruke visir eller**

vernebriller. Bruk etter behov støvmaske, hørselsvern, hansker og arbeidsforkle som kan stoppe små slipepartikler eller fragmenter fra arbeidsstykket. Øyevernet må kunne stoppe flygende biter som oppstår under ulike typer bruk. Støvmasken eller åndedrettsvernet må kunne filtrere ut partikler som oppstår under den bestemte bruken. Kraftig støv over lengre tid kan forårsake redusert hørsel.

- 10. Hold andre på trygg avstand fra arbeidsområdet. Alle som beveger seg inn i arbeidsområdet, må bruke personlig verneutstyr.** Fragmenter fra arbeidsstykket eller fra skadet tilbehør kan slynges ut og forårsake skade utenfor det umiddelbare arbeidsområdet.
- 11. Hold elektroverktøyet kun i det isolerte håndtaket når skjæreverktøyet kan komme i kontakt med skjulte ledninger under arbeidet.** Kontakt med en strømførende ledning kan føre til at metalldelene på elektroverktøyet også blir strømførende, og kan gi brukeren elektrisk støt.
- 12. Ikke legg ned elektroverktøyet før tilbehøret har stoppet helt.** Det roterende tilbehøret kan ta feste i overflaten og trekke elektroverktøyet ut av kontroll.
- 13. Ikke kjør elektroverktøyet når du bærer det langs siden.** Utsikket kontakt med roterende tilbehør kan føre til at det hektes i klærne og trekkes inn mot kroppen.
- 14. Rengjør verktøyets luftventiler regelmessig.** Motorens vifte trekker støv inn i verktøyhuset, og mye oppsamlet metallstøv kan medføre elektrisk fare.
- 15. Ikke bruk elektroverktøyet nær brennbare materialer.** Gnister kan antenne slike materialer.
- 16. Ikke bruk tilbehør som krever kjølevæske.** Bruk av vann eller andre kjølevæsker kan føre til elektrisk støt.

Tilbakeslag og relaterte advarsler:

Tilbakeslag er en plutselig reaksjon på en klemt eller hekket skive, bakrondell, børste eller annet tilbehør. Fastklemming eller hekking forårsaker plutselig stopp av det roterende tilbehøret, noe som i sin tur gjør at det ukontrollerbare elektroverktøyet kastes i motsatt retning av tilbehørets rotasjonsretning ved bindingspunktet. Hvis for eksempel en slipeskive klemmes eller hekkes fast i arbeidsstykket, kan kanten på skiven som er fastklemt, grave seg inn i overflaten på materialet og føre til at skiven graver seg ut eller slås ut. Skiven kan enten sprette mot eller vekk fra operatøren, avhengig av rotasjonsretningen på skiven når den klemmes fast. Slipeskiver kan også knekke under slike forhold. Tilbakeslag er et resultat av at elektroverktøyet misbrukes og/eller brukes på feil måte eller under feil forhold, og kan unngås ved å ta de nødvendige forholdsreglene som beskrives under.

- 1. Hold godt fast i verktøyet med begge hender og plasser kroppen og armene dine slik at du kan motstå kreftene i et tilbakeslag. Bruk alltid hjelpehåndtak når det følger med, for å få best mulig kontroll over tilbakeslag eller dreiemomentreaksjonen ved oppstart.** Operatøren kan kontrollere dreiemomentreaksjonen eller tilbakeslagskreftene hvis de riktige forholdsreglene tas.
- 2. Plasser aldri hånden nær det roterende**

tilbehøret. Tilbehøret kan slå tilbake over hånden.

3. **Ikke plasser kroppen i det området elektroverktøyet kan slå tilbake i.** Tilbakeslag gjør at verktøyet slås i motsatt retning av skivens bevegelse når den blir sittende fast.
4. **Vær spesielt forsiktig under arbeid med hjørner, skarpe kanter o.l. Unngå å la tilbehøret sprette eller hugge.** Hjørner, skarpe kanter eller spretting har en tendens til å huke fast det roterende tilbehøret og forårsake tap av kontroll eller tilbakeslag.
5. **Ikke monter et sagkjedeblad for treskjæring, segmentert diamantskive med periferisk avstand over 10 mm eller tannet sagblad.** Slike blader gir ofte tilbakeslag og mangel på kontroll.

Spesifikke sikkerhetsadvarsler for sliping og kapping:

1. **Bruk bare skivetyper som er spesifisert for elektroverktøyet og den spesifikke beskyttelsen som er beregnet på den valgte skiven.** Skiver som ikke er beregnet på elektroverktøyet, kan ikke sikres godt nok og er utrygge.
2. **Slipeoverflaten til skiver med forsenket nav må monteres under planet til vernet.** En feilmontert skive som stikker gjennom planet til vernet, kan ikke tilstrekkelig beskyttes.
3. **Vernet må være ordentlig festet til verktøyet og plasseres slik at det gir størst mulig sikkerhet og slik at minst mulig av skiven vender mot brukeren.** Vernet bidrar til å beskytte brukeren mot brukne skivefragmenter og utilsikket kontakt med skiven og mot gnister som kan antenne klær.
4. **Skiver skal bare brukes til spesifiserte bruksområder. For eksempel: Ikke slip med siden av en kappeskive.** Kappeskiver for sliping er bare beregnet for periferisk sliping. Sidekrefter mot disse skivene kan knuse dem.
5. **Bruk alltid uskadede skiveflenser i riktig størrelse og form for skiven du har valgt.** Riktige skiveflenser støtter skiven og reduserer dermed muligheten for skivebrudd. Flenser for kappeskiver kan være forskjellige fra flenser for slipeskiver.
6. **Ikke bruk slitte skiver fra større elektroverktøy.** En skive fra større elektroverktøy passer ikke til den høyere hastigheten til mindre verktøy, og kan sprekke.
7. **Når skiver for flere formål brukes, må du alltid bruke riktig vern for arbeidet som utføres.** Hvis det ikke brukes riktig vern, kan det hende at beskyttelsen ikke er tilstrekkelig god, noe som kan føre til alvorlig personskade.

Ekstra sikkerhetsadvarsler spesifikt for kapping:

1. **Ikke «klem fast» kappeskiven eller legg sterk press på den. Ikke forsøk å kutte svært dypt.** For mye press på skiven øker belastningen og sjansen for at skiven vriss eller setter seg fast under kutting, samt at det øker sjansen for tilbakeslag eller at skiven blir ødelagt.
2. **Ikke plasser deg på linje med og bak den roterende skiven.** Når skiven beveger seg bort fra deg ved bruksstedet, kan et mulig tilbakeslag drive den roterende skiven og verktøyet rett mot deg.
3. **Når skiven fastklemmes eller du ønsker å avbryte kappingen, må du slå av**

elektroverktøyet og holde det i ro til skiven har stoppet helt. Du må aldri forsøke å trekke kappeskiven ut av kuttet mens skiven er i bevegelse. Det kan føre til tilbakeslag. Undersøk årsaken til at skiven setter seg fast, og rett opp feilen.

4. **Ikke start kappingen på nytt mens skiven står i arbeidsstykke. La skiven nå full hastighet, og før den så forsiktig ned i kuttet på nytt.** Skiven kan sette seg fast, bli trukket oppover eller gi tilbakeslag hvis det elektriske verktøyet startes på nytt i arbeidsstykke.
5. **Støtt opp plater eller store arbeidsstykker for å minimere muligheten for fastklemming og tilbakeslag.** Store arbeidsstykker har en tendens til å synke under sin egen vekt. Det må plasseres støtter under arbeidsstykket nært kuttlinjen og nært kanten på arbeidsstykket på begge sider av skiven.
6. **Vær ekstra forsiktig når du lager «lomme hull» i eksisterende vegger eller andre områder uten innsyn.** Skiven som stikker ut, kan kutte gass- eller vannrør, elektriske ledninger eller gjenstander som kan forårsake tilbakeslag.
7. **Ikke prøv å skjære i bue.** For mye press på skiven øker belastningen og sjansen for at skiven vriss eller setter seg fast under kutting, samt at det øker sjansen for tilbakeslag eller at skiven blir ødelagt, noe som kan føre til alvorlig personskade.
8. **Før bruk av en segmentert diamantslipeskive, må du kontrollere at diamantslipeskiven har en perifer åpning på mindre enn 10 mm mellom segmentene, og kun med en negativ flisvinkel.**

Spesielle sikkerhetsadvarsler for pussing:

1. **Bruk riktig pussepapir i riktig størrelse for skiven. Følg produsentens anbefalinger når du velger pussepapir.** Større pussepapir som stikker for langt utenfor pusseputen, kan forårsake oppriving og føre til slitasje eller tilbakeslag på skiven.

Spesielle sikkerhetsadvarsler for stålborsting:

1. **Vær oppmerksom på at metalltråder kan løsne fra børsten også ved vanlig bruk. Ikke overbelast trådene ved å legge ekstra press på børsten.** Metalltrådene kan lett trenge gjennom tynne klær og hud.
2. **Hvis det anbefales bruk av vern ved stålborsting, må du unngå all kontakt mellom tråd-hjulet eller rundbørsten og vernet.** Tråd-hjul og rundbørster kan utvide seg i diameter på grunn av arbeidsbelastningen og sentrifugalkraftene.

Ekstra sikkerhetsadvarsler:

1. **Når du bruker slipeskiver med forsenket nav, må du passe på bare å bruke glassfiberarmerte skiver.**
2. **BRUK ALDRI denne vinkelsliperen med slipeskiver av typen Stone Cup.** Denne vinkelsliperen er ikke konstruert for denne typen hjul, og bruk av et slikt produkt kan resultere i alvorlige helseskader.
3. **Vær forsiktig så du ikke ødelegger spindelen, flensen (særlig monteringsflaten) eller låsemutteren.** Skade på disse delene kan resultere i at skiven brytter.
4. **Forviss deg om at skiven ikke har kontakt med**

- arbeidsstykket før startbryteren er slått på.
5. Før du begynner å bruke maskinen på et arbeidsstykke, bør du la den gå en liten stund. Se etter vibrasjoner eller vingling som kan tyde på at skiven er dårlig balansert.
 6. Bruk den angitte overflaten av skiven til å utføre slipingen.
 7. Ikke gå fra verktøyet mens det er i gang. Verktøyet må bare brukes mens operatøren holder det i hendene.
 8. Ikke berør arbeidsstykket umiddelbart etter bruk. Det kan være ekstremt varmt og kan gi deg brannskader.
 9. Ikke berør tilbehør umiddelbart etter bruk. De kan være ekstremt varme og kan gi deg brannskader.
 10. Følg produsentens anvisninger for korrekt montering og bruk av skiver og tilbehør. Feilaktig montering og bruk kan føre til personskader.
 11. Håndter og oppbevar skivene forsiktig.
 12. Ikke bruk separate reduksjonsbøssinger eller adaptere for å tilpasse slipeskiver med store hull.
 13. Bruk bare flenser som er spesifisert for dette verktøyet.
 14. For maskiner som er beregnet på å bli utstyrt med gjengehullsskive, må du forvise deg om at gjengen i hullet er lang nok til å passe til spindelengden.
 15. Forviss deg om at arbeidsstykket står støtt.
 16. Ta hensyn til at skiven fortsetter å rotere etter at maskinen er slått av.
 17. Hvis arbeidsplassen er ekstremt varm og fuktig, eller svært forurenset med elektrisk ledende støv, må du bruke en kortslutningsbryter (30 mA) for å ivareta operatørens sikkerhet.
 18. Ikke bruk maskinen på materialer som inneholder asbest.
 19. Når du bruker kappeskiven, må du alltid bruke beskyttelseskappen med støvoppsamler, etter hva lokale bestemmelser krever.
 20. Kappeskiver må ikke utsettes for trykk fra siden.
 21. Ikke bruk tekstilhansker når du bruker maskinen. Fibre fra tekstilhanskene kan komme inn i maskinen noe som kan føre til brudd i maskinen.
 22. Før bruk må du kontrollere at det ikke finnes nedgravde gjenstander som elektriske rør, vannrør eller gassrør i arbeidsstykket. Ellers kan det føre til elektrisk støt, elektriske lekkasjer eller gasslekkasje.
 23. Hvis et trekkpapir er festet til skiven, må det ikke fjernes. Diameteren på trekkpapiret må være større enn låsemutteren, den ytre flensen og den indre flensen.
 24. Før du monterer slipeskiven, må du alltid kontrollere at trekkpapiret ikke har noen abnormiteter, for eksempel fliser eller sprekker.
 25. **Stram låsemutteren godt.** For mye stramming av skiven kan føre til at den brekker, og for lite stramming kan føre til at den blir ustabil.

TA VARE PÅ DISSE INSTRUKSENE.

⚠ADVARSEL: IKKE LA hensynet til hva som er "behagelig" eller det faktum at du kjenner produktet godt (etter mange gangers bruk) gjøre deg mindre oppmerksom på sikkerhetsreglene for bruken av det aktuelle produktet. Ved MISBRUK eller hvis ikke sikkerhetsreglene i denne bruksanvisningen følges, kan det oppstå alvorlig personskade.

Viktige sikkerhetsanvisninger for batteriinnset

1. Før du begynner å bruke batteriet, må du lese alle anvisninger og forsiktighetsregler på (1) batteriladeren, (2) batteriet og (3) det produktet batteriet skal brukes i.
2. Ikke demonter eller tukle batteriet. Det kan føre til brann, overoppheting eller eksplosjon.
3. Hvis driftstiden er blitt vesentlig kortere, må du omgående slutte å bruke maskinen. Hvis ikke kan resultatet bli overoppheting, mulige forbrenninger eller til og med en eksplosjon.
4. Hvis du får elektrolytt i øynene, må du skylle dem med store mengder rennende vann og oppsøke lege med én gang. Denne typen uhell kan føre til varig blindhet.
5. Ikke kortslett batteriet:
 - (1) De kan være ekstremt varme og du kan brenne deg.
 - (2) Ikke lagre batteriet i samme beholder som andre metallgjenstander, som for eksempel spiker, mynter osv.
 - (3) Ikke la batteriet komme i kontakt med vann eller regn.
 En kortslutning av batteriet kan føre til et kraftig strømstøt, overoppheting, mulige forbrenninger og til og med til at batteriet går i stykker.
6. Ikke oppbevar og bruk verktøyet og batteriet på steder hvor temperaturen kan komme opp i eller overskride 50 °C.
7. Ikke sett fyr på batteriet, ikke engang om det er sterkt skadet eller helt utslitt. Batteriet kan eksplodere hvis det begynner å brenne.
8. Du må ikke spikre, skjære, klemme, kaste eller miste batteriet, og heller ikke slå en hard gjenstand mot batteriet. En slik oppførsel kan føre til brann, overoppheting eller eksplosjon.
9. Ikke bruk batterier som er skadet.
10. Lithium-ion-batteriene som medfølger er gjenstand for krav om spesialavfall. For kommersiell transport, f.eks av tredjeparter eller speditorer, må spesielle krav om pakking og merking følges. For varen blir sendt, må du forhøre deg med en ekspert på farlig materiale. Ta også hensyn til muligheten for mer detaljerte nasjonale bestemmelser. Bruk teip eller maskeringsteip for å skjule åpne kontakter og pakk inn batteriet på en slik måte at den ikke kan bevege seg rundt i emballasjen.

11. Når du kasserer batteriinnsetningen, må du ta den ut av verktøyet og avhende den på et sikkert sted. Følg lokale bestemmelser for avhending av batterier.
12. Bruk batteriene kun med produkter spesifisert av Makita. Montere batteriene i produkter som ikke er konforme kan føre til brann, overheting eller elektrolyttlekkasje.
13. Hvis verktøyet ikke skal brukes over en lengre periode, må batteriet tas ut av verktøyet.
14. Under og etter bruk kan batteriet bli varmt og føre til brannskader. Vær forsiktig med håndteringen av varme batterier.
15. Ikke berører terminalen på verktøyet rett etter bruk, da den kan bli varm og forårsake brannskader.
16. Ikke la spon, støv eller jord sette seg fast i terminalene, hullene og sporene i batteriet. Det kan føre til at batteriet eller verktøyet blir overopphetet, begynner å brenne, sprekker eller ikke fungerer som det skal, og forårsake brannskader eller personskaade.
17. Med mindre verktøyet støtter bruk nær en høyspent strømlinje, skal ikke batteriet brukes nær en høyspent strømlinje. Det kan føre til en funksjonsfeil eller at verktøyet eller batteriet slutter å fungere.
18. Oppbevar batteriet utilgjengelig for barn.

TA VARE PÅ DISSE INSTRUKSENE.

⚠FORSIKTIG: Bruk kun originale Makita-batterier. Bruk av batterier som har endret seg, eller som ikke er originale Makita-batterier, kan føre til at batteriet sprekker og forårsaker brann, personskaader og andre skader. Det vil også ugyldiggjøre garantien for Makita-verktøyet og -laderen.

Tips for å opprettholde maksimal batterilevetid

1. Lad batteriinnsetningen før den er helt utladet. Stopp alltid driften av verktøyet og lad batteriinnsetningen når du merker at effekten reduseres.
2. Lad aldri en batteriinnsetning som er fulladet. Overopplading forkorter batteriets levetid.
3. Lad batteriet i romtemperatur ved 10 °C - 40 °C. Et varmt batteri må kjøles ned før lading.
4. Når batteriet ikke er bruk, skal det tas ut av verktøyet eller laderen.
5. Lad batteriet hvis det ikke har vært brukt på en lang stund (over seks måneder).

Viktige sikkerhetsanvisninger for trådløs enhet

1. Du må ikke demontere eller tukle med den trådløse enheten.
2. Hold den trådløse enheten unna små barn. Hvis enheten ved et uheld svelges, skal lege kontaktes umiddelbart.
3. Den trådløse enheten skal kun brukes med Makita-verktøy.
4. Ikke utsett den trådløse enheten for regn eller

fuktighet.

5. Ikke bruk den trådløse enheten på steder den temperaturen overskrider 50 °C.
6. Ikke bruk den trådløse enheten på steder der medisinsk utstyr, som pacemakere, er i nærheten.
7. Ikke bruk den trådløse enheten på steder der automatiserte enheter er i nærheten. Hvis automatisert enheter tas i bruk, kan det oppstå en funksjonssvikt eller feil.
8. Ikke bruk den trådløse enheten på steder med høye temperaturer eller der det kan genereres statisk elektrisitet eller elektrisk støv.
9. Den trådløse enheten kan skape elektromagnetiske felt (EMF), men de er ikke skadelige for brukeren.
10. Den trådløse enheten er presisjonsinstrument. Vær forsiktig så du ikke mister eller utsetter den trådløse enheten for slag.
11. Unngå å berøre den trådløse enhetens tilkoblingspunkt med ubeskyttede hender eller metallmaterialer.
12. Du må alltid ta batteriet ut av produktet når du skal installere den trådløse enheten.
13. Når du skal åpne sporets lokk, må du unngå steder der støv og vann kan trenge inn i sporet. Du må alltid sørge for at sporets innløp er rent.
14. Sett alltid den trådløse enheten inn i riktig retning.
15. Ikke trykk for hardt på trådløse aktiveringsknappen på den trådløse enheten, og trykk heller ikke på knappen med en gjenstand med skarp kant.
16. Du må alltid lukke sporets lokk under bruk.
17. Ikke fjern den trådløse enheten fra sporet mens verktøyet forsynes med strøm. Det kan føre til en funksjonsfeil i den trådløse enheten.
18. Ikke fjern klebmerket på den trådløse enheten.
19. Ikke sett klebmerker på den trådløse enheten.
20. Ikke etterlat den trådløse enheten på et sted der det kan genereres statisk elektrisitet eller elektrisk støv.
21. Ikke etterlat den trådløse enheten på et sted der den kan utsettes for mye varme, som i en bil som er parkert i solen.
22. Ikke etterlat den trådløse enheten på et sted med mye støv eller pulver, eller på et sted der det kan genereres korroderende gass.
23. En plutselig temperaturendring kan få den trådløse enheten til å dugge. Ikke bruk den trådløse enheten før duggen har tørket helt bort.
24. Når du rengjør den trådløse enheten, tørker du forsiktig av den med en tørr, myk klut. Ikke bruk bensin, tynner, ledende fett eller lignende.
25. Når den trådløse enheten skal lagres, oppbevar den i esken som følger med eller en beholder som ikke er statisk.
26. Ikke sett andre enheter med Makitas trådløse enhet inn i sporet på verktøyet.
27. Ikke bruk verktøyet hvis sporets lokk er

skadet. Vann, støv om smuss som trenger inn i sporet kan føre til funksjonsfeil.

28. **Ikke dra i og/eller vri sporets lokk mer enn nødvendig.** Sett lokket tilbake på plass hvis det løsner fra verktøyet.
29. **Erstatt sporets lokk hvis det går tapt eller blir skadet.**

TA VARE PÅ DISSE INSTRUKSENE.

FUNKSJONSBE- SKRIVELSE

⚠ FORSIKTIG: Forviss deg alltid om at maskinen er slått av og batteriet tatt ut før du justerer maskinen eller kontrollerer dens mekaniske funksjoner.

Sette inn eller ta ut batteri

⚠ FORSIKTIG: Slå alltid av verktøyet før du setter inn eller fjerner batteriet.

⚠ FORSIKTIG: Hold verktøyet og batteripatronen i et fast grep når du monterer eller fjerner batteripatronen. Hvis du ikke holder verktøyet og batteripatronen godt fast, kan du miste grepet, og dette kan føre til skader på verktøyet og batteripatronen samt personskafer.

Når du skal sette inn batteriet, må du plassere tungen på batteriet på linje med sporet i huset og skyve batteriet på plass. Skyv det helt inn til det går i inngrep med et lite klikk. Hvis du kan se den røde indikatoren som vist i figuren, er det ikke helt låst.

For å ta ut batteriet må du skyve på knappen foran på batteriet og trekke det ut.

► **Fig.1:** 1. Rød indikator 2. Knapp 3. Batteriinnsetts

⚠ FORSIKTIG: Batteriet må alltid settes helt inn, så langt at den røde indikatoren ikke lenger er synlig. Hvis dette ikke gjøres, kan batteriet falle ut av verktøyet og skade deg eller andre som oppholder seg i nærheten.

⚠ FORSIKTIG: Ikke bruk makt når du setter i batteriet. Hvis batteriet ikke glir lett inn, er det fordi det ikke settes inn på riktig måte.

Indikere gjenværende batterikapasitet

Trykk på sjekk-knappen på batteriet for vise gjenværende batterikapasitet. Indikatorlampene lyser i et par sekunder.

► **Fig.2:** 1. Indikatorlamper 2. Kontrollknapp

Indikatorlamper			Gjenværende batterinivå
Tent	Av	Blinker	
			75 % til 100 %
			50 % til 75 %
			25 % til 50 %
			0 % til 25 %
			Lad batteriet.
			Batteriet kan ha en feil.

MERK: Det angitte nivået kan avvike noe fra den faktiske kapasiteten alt etter bruksforholdene og den omgivende temperaturen.

MERK: Den første (helt til venstre) indikatorlampen vil blinke når batterivernsystemet fungerer.

Batterivernsystem for verktøy/ batteri

Verktøyet er utstyrt med et batterivernsystem for verktøy/batteri. Dette systemet kutter automatisk strømmen til motoren for å forlenge verktøyet og batteriets levetid. Verktøyet stopper automatisk under drift hvis verktøyet eller batteriet utsettes for en av følgende tilstander:

Overlastsikring

Når verktøyet/batteriet brukes på en måte som gjør at det bruker unormalt mye strøm, vil verktøyet stoppe automatisk og uten forvarsel. Hvis dette skjer, må du slå av verktøyet og avslutte bruken som forårsaket at verktøyet ble overbelastet. Slå deretter verktøyet på for å starte det igjen.

Overopphetingsvern

Når verktøyet/batteriet er overopphetet, stopper verktøyet automatisk. La verktøyet kjøle seg ned før du slår på verktøyet igjen.

Overutladingsvern

Når det blir batterikapasiteten er utilstrekkelig, stopper verktøyet automatisk. I så fall fjerner du batteriet fra verktøyet og lader det.

Koble ut beskyttelseslåsen

Når vernesystemet virker gjentatte ganger låses verktøyet.

Hvis dette skjer, vil ikke verktøyet starte, selv om det slås av og på. Beskyttelseslåsen kan kobles ut ved å ta ut batteriet, sette det i batteriladeren og vente til det er ferdig ladet.

Vern mot andre årsaker

Vernesystemet er også laget for beskyttelse mot andre ting som kan skade verktøyet og gjøre at det stanser automatisk. Ta alle de følgende forholdsreglene for å fjerne årsakene til at verktøyet har stanset midlertidig mens det er i drift.

1. Forviss deg om at alle brytere er i av-stilling, og slå deretter på verktøyet igjen for å starte på nytt.
2. Lad opp batteriet/ene eller skift det/dem ut med oppladde batteri(er).
3. La både verktøyet og batteriet/ene kjøle seg ned.

Hvis det ikke blir noen forbedring ved at vernesystemet gjenopprettes, ta kontakt med det lokale Makita servicesenteret.

Spindellås

⚠ ADVARSEL: Du må aldri aktivere spindellåsen mens spindelen beveger seg. Det kan føre til alvorlig personskade eller skade på verktøyet.

Trykk på spindellåsen for å forhindre spindelrotasjon når du monterer eller fjerner tilbehør.

► Fig.3: 1. Spindellås

Bryterfunksjon

⚠ FORSIKTIG: Før du setter batteriet i verktøyet, må du kontrollere at bryterspaken beveger seg riktig og går tilbake til posisjonen "AV" når den slippes.

⚠ FORSIKTIG: Av hensyn til din egen sikkerhet er dette verktøyet utstyrt med en AV-sperrehendel som forhindrer utilsiktet start av verktøyet. Du må ALDRI bruke verktøyet hvis det starter når du trekker i bryterspaken uten at du også må trekke i AV-sperrehendelen. Lever verktøyet til et autorisert serviceverksted for å få det reparert FØR videre bruk.

⚠ FORSIKTIG: Ikke trekk hardt i bryterspaken uten å trekke i av-sperreknappen. Dette kan få bryteren til å brette.

⚠ FORSIKTIG: AV-sperrehendelen må ALDRI holdes inne med tape, og den må ALDRI settes ut av funksjon.

For å hindre at bryterspaken trykkes ved et ulykkestilfelle er maskinen utstyrt med en av-sperreknapp. For å starte verktøyet må du trekke av-sperrehendelen mot operatøren og deretter trykke på bryteren. Du stanser verktøyet ved å slippe bryterspaken.

► Fig.4: 1. AV-sperrehendel 2. Bryterspåk

Hastighetsinnstillingshjul

Maskinens rotasjonshastighet kan endres ved å dreie på hastighetsinnstillingshjulet. Tabellen nedenfor hvis tallet på innstillingshjulet og den tilsvarende rotasjonshastigheten.

► Fig.5: 1. Hastighetsinnstillingshjul

Tall	Hastighet
1	3 000 min ⁻¹
2	4 500 min ⁻¹
3	6 000 min ⁻¹
4	7 500 min ⁻¹
5	9 000 min ⁻¹

OBS: Hvis maskinen brukes lenge og kontinuerlig på lav hastighet, vil motoren bli overbelastet og slutte å virke som den skal.

OBS: Hastighetsjusteringshjulet kan kun dreies til 5 og så tilbake til 1. Ikke prøv å dreie det forbi 5 eller 1, da det kan føre til at hastighetsinnstillingsfunksjonen slutter å virke.

Funksjon som forhindrer utilsiktet start

Verktøyet starter ikke når batteriet settes inn i verktøyet med bryteren PÅ.

For å starte verktøyet slår du av bryteren og deretter på igjen.

Aktiv tilbakeslagfølende teknologi

Verktøyet vil elektronisk oppdage situasjoner hvor skiven eller tilbehøret risikerer å sette seg fast. I dette tilfellet vil verktøyet automatisk slå seg av, for å unngå at spindelen fortsetter å rotere (det forhindrer ikke tilbakeslag).

For å starte verktøyet på nytt, må du først slå av verktøyet, fjerne årsaken til det plutselige rotasjonsfallet og deretter slå på verktøyet igjen.

Mykstartfunksjon

Funksjonen for myk start reduserer reaksjonen ved start.

Elektrisk brems

Kun for modell GA027G / GA028G / GA029G

Den elektriske bremsen aktiveres når verktøyet slås av. Bremsen fungerer ikke dersom strømtilførselen kobles ut, ved for eksempel at batteriet tas ut ved en feil, med bryteren på.

MONTERING

⚠ FORSIKTIG: Forviss deg alltid om at maskinen er slått av og batteriet tatt ut før du justerer maskinen eller kontrollerer dens mekaniske funksjoner.

Montere støttehåndtak (hjelpéhåndtak)

⚠️ FORSIKTIG: Forviss deg alltid om at støttehåndtaket er skikkelig montert før du tar maskinen i bruk.

Skrú støttehåndtaket godt fast på maskinen i den stillingen som er vist på figuren.

► Fig.6

Montere eller fjerne beskyttelseskappen

⚠️ ADVARSEL: Ved bruk av slipeskive med forsenket nav / klaffskive, flex-skive eller stål-børste, må skivebeskyttelsen settes på verktøyet slik at den lukkede siden av kappen vender mot operatøren.

⚠️ ADVARSEL: Kontroller at beskyttelseskappen er låses sikkert av sperrespaken med ett av hullene i beskyttelseskappen.

⚠️ ADVARSEL: Ved bruk av kappeskive/diamantskive må du forsikre deg om at du bare bruker den spesielle beskyttelseskappen som er beregnet for bruk med kappeskiver.

For forsenket nav, klaffskive, flex-hjul, sirkulærbørste av stål/kappeskive, diamantskive

1. Mens du skyver sperrespaken monterer du beskyttelseskappen slik at fremspringet på beskyttelseskappebåndet er innrettet med hakket i lagerboksen.

► Fig.7: 1. Sperrespak 2. Hakk 3. Fremspring

2. Mens du skyver sperrespaken mot A, skyver du inn beskyttelseskappen ved å holde nede delene B som vist i figuren.

► Fig.8: 1. Beskyttelseskappe 2. Hull

MERK: Skyv beskyttelseskappen rett ned. Ellers klarer du ikke å skyve beskyttelseskappen helt på plass.

3. Mens du holder sperrespaken og beskyttelseskappen i posisjonen som beskrives i trinn 2, dreier du beskyttelseskappen mot C, og deretter endrer du vinkelen på beskyttelseskappen i henhold til arbeidet slik at operatøren beskyttes. Innrett sperrespaken med ett av hullene i beskyttelseskappen, og deretter frigjør du sperrespaken for å låse beskyttelseskappen.

► Fig.9: 1. Beskyttelseskappe 2. Hull

MERK: Skyv beskyttelseskappen helt på plass. Ellers klarer du ikke å rotere beskyttelseskappen.

Fjern beskyttelseskappen ved å følge monteringsfremgangsmåten i motsatt rekkefølge.

Beskyttelseskappe med klips for skjæreskive

Valgfritt tilbehør

MERK: Ved kapping kan en beskyttelseskappe med klips for skjæreskiven brukes med beskyttelseskappen (for slipehjul).

Ikke tilgjengelig i enkelte land.

► Fig.10

Montere eller fjerne skive med nedsenket nav eller klaffskive

Valgfritt tilbehør

⚠️ ADVARSEL: Ved bruk av slipeskive med forsenket nav / klaffskive, må skivebeskyttelsen settes på verktøyet slik at den lukkede siden av kappen vender mot operatøren.

⚠️ ADVARSEL: Sørg for at monteringsdelen av den indre flensen passer perfekt inn i den indre omkretsen til den nedsenkede navet / klaffskiven. Hvis den indre flensen monteres på feil side, kan det resultere i farlig vibrasjon.

Monter den indre flensen på spindelen.

Sørg for at du fester den nedsenkede delen av den indre flensen på den rettvinklede delen på bunnen av spindelen.

Sett den nedsenkede navet / klaffskiven på den indre flensen og skrú låsemutteren på spindelen.

► Fig.11: 1. Låsemutter 2. Forsenket nav 3. Indre flens 4. Monteringsdel

Stram låsemutteren ved å trykke så kraftig på spindellåsen at spindelen ikke kan rotere, og bruk låsemutternøkkelen til å stramme mutteren godt med klokken.

► Fig.12: 1. Låsemutternøkkelen 2. Spindellås

Fjern hjulet ved å følge installeringsfremgangsmåten i motsatt rekkefølge.

Montere eller fjerne flex-skiven

Valgfritt tilbehør

⚠️ ADVARSEL: Når du bruker flex-skiven må du alltid bruke medfølgende beskyttelse. Skiven kan knuse ved bruk, og vernet bidrar til å redusere faren for helseskader.

► Fig.13: 1. Låsemutter 2. Flex-hjul 3. Reservepute 4. Indre flens

Følg instruksjonene for skiven med forsenket nav, men bruk også reserveputen over skiven.

Montere eller fjerne slipeskiven

Valgfritt tilbehør

MERK: Bruk slipetilbehør spesifisert i denne håndboken. Disse må kjøpes separat.

For 100 mm modell (4")

► Fig.14: 1. Låsemutter for sliping 2. Slipeskive 3. Gummironde 4. Indre flens

1. Monter den indre flensen på spindelen.
 2. Monter gummihetten på spindelen.
 3. Sett skiven på gummirondeffen og skru låsemutterne for sliping på spindelen.
 4. Hold spindelen med skaftlåsen og stram låsemutterne for sliping med klokken med låsemutternøkkelen.
- Fjern skiven ved å følge installeringsfremgangsmåten i motsatt rekkefølge.

For andre modeller enn 100 mm (4")

- **Fig.15:** 1. Låsemutter for sliping 2. Slipeskive 3. Gummirondeff

1. Monter gummihetten på spindelen.
 2. Sett skiven på gummirondeffen og skru låsemutterne for sliping på spindelen.
 3. Hold spindelen med skaftlåsen og stram låsemutterne for sliping med klokken med låsemutternøkkelen.
- Fjern skiven ved å følge installeringsfremgangsmåten i motsatt rekkefølge.

Superflens

Valgfritt tilbehør

Superflens er et spesialtilbehør for modeller som IKKE er utstyrt med bremsefunksjon. Modeller med bokstaven F er som standard utstyrt med superflens. Låsemutteren kan løsnes med bare 1/3 av den kraften som er nødvendig ved bruk av vanlige flenstyper.

Montere eller demontere Ezynut

Valgfritt tilbehør

Kun for verktøy med M14 spindelgjenger.

⚠FORSIKTIG: Ikke bruk Ezynut med superflens. De flensene er så tykke at spindelen ikke kan holde alle gjengene.

Monter den indre flensen, slipeskiven og Ezynut på spindelen, og påse at Makita-logoen på Ezynut er vendt utover.

- **Fig.16:** 1. Ezynut 2. Slipeskive 3. Indre flens 4. Spindel

Press spindellåsen godt på og stram Ezynut ved å dreie slipeskiven så langt som mulig med klokken.

- **Fig.17:** 1. Spindellås

For å løse Ezynut dreier du den utvendige ringen på Ezynut mot klokken.

MERK: Du kan løse Ezynut for hånd så lenge pilen peker mot innsnittet. Ellers må du bruke en låsemutternøkkel for å løse den. Sett én stift på nøkkelen i et hull og drei Ezynut mot klokken.

- **Fig.18:** 1. Pil 2. Spor
► **Fig.19**

Installere en kappeskive/diamantskive

Valgfritt tilbehør

⚠ADVARSEL: Ved bruk av kappeskive/diamantskive må du forsikre deg om at du bare bruker den spesielle beskyttelseskapen som er beregnet for bruk med kappeskiver.

⚠ADVARSEL: IKKE bruk kappeskiver til sideveis sliping.

- **Fig.20:** 1. Låsemutter 2. Slipende kappeskive/diamantskive 3. Indre flens 4. Skivevern for slipende kappeskive/diamantskive

Når det gjelder installasjonen, må du følge anvisningene for nedsenket nav.

Monteringsretningen for låsemutteren og den indre flensen varierer med skivetype og -tykkelse. Se følgende figurer.

For 100 mm modell (4")

Når du installerer det slipende kapphjulet:

- **Fig.21:** 1. Låsemutter 2. Kappeskive med slipeeffekt (tynnere enn 4 mm (5/32")) 3. Kappeskive med slipeeffekt (4 mm (5/32") eller tykkere) 4. Indre flens

Når du installerer diamanthjulet:

- **Fig.22:** 1. Låsemutter 2. Diamantskive (tynnere enn 4 mm (5/32")) 3. Diamantskive (4 mm (5/32") eller tykkere) 4. Indre flens

For andre modeller enn 100 mm (4")

Når du installerer det slipende kapphjulet:

- **Fig.23:** 1. Låsemutter 2. Kappeskive med slipeeffekt (tynnere enn 4 mm (5/32")) 3. Kappeskive med slipeeffekt (4 mm (5/32") eller tykkere) 4. Indre flens

Når du installerer diamanthjulet:

- **Fig.24:** 1. Låsemutter 2. Diamantskive (tynnere enn 4 mm (5/32")) 3. Diamantskive (4 mm (5/32") eller tykkere) 4. Indre flens

Installere en koppbørsten av stål

Valgfritt tilbehør

⚠FORSIKTIG: Ikke bruk en koppbørste av stål som er skadet, eller som ikke er balansert. Hvis du bruker en skadet koppbørste av stål, kan dette øke faren for personskade ved kontakt med ødelagte børstetråder.

Sett verktøyet opp-ned for å få enkel tilgang til spindelen.

Demonter alt tilbehør fra spindelen. Monter koppbørsten av stål på spindelen og trekk til med den medfølgende nøkkelen.

- **Fig.25:** 1. Koppbørste av stål

Installere en sirkulærbørste av stål

Valgfritt tilbehør

⚠️FORSIKTIG: Ikke bruk en skivebørste som er skadet, eller som ikke er balansert. Hvis du bruker en skadet skivebørste, kan dette øke faren for personskade ved kontakt med ødelagte børstetråder.

⚠️FORSIKTIG: Bruk ALLTID beskyttelseskappen med skivebørster, og pass på at skivens diameter passer inne i beskyttelseskappen. Skiven kan knuse ved bruk, og vernet bidrar til å redusere faren for helseskader.

Sett verktøyet opp-ned for å få enkel tilgang til spindelen.

Demontér alt tilbehør fra spindelen. Skru skivebørsten på spindelen og stram med nøklene.

► **Fig.26:** 1. Sirkulærbørste av stål

Montere hullkutter

Valgfritt tilbehør

Sett verktøyet opp-ned for å få enkel tilgang til spindelen.

Fjern alt tilbehør fra spindelen. Skru hullkutteren på spindelen og stram den med den medfølgende skiftesnøkkelen.

► **Fig.27:** 1. Hullkutter

Montere beskyttelseskappe med støvoppsamler for sliping

Kun for modell GA028G / GA029G / GA031G / GA032G

Valgfritt tilbehør

Med tilleggsutstyr kan du bruke dette verktøyet til å jevne betongflater.

⚠️FORSIKTIG: Beskyttelseskappen med støvoppsamler for diamantkappeskiven skal kun brukes til å jevne betongflater med en diamantkappeskive. Ikke bruk kappen sammen med annet skjærestyr eller til andre formål.

⚠️FORSIKTIG: Før bruk må du sørge for at en støvsuger er koblet til verktøyet og slått på.

Sett verktøyet opp-ned og monter beskyttelseskappen med støvoppsamler.

Monter den indre flensen på spindelen.

Sett diamantskiven av kopptype på den indre flensen, og stram låsemutteren på spindelen.

► **Fig.28:** 1. Låsemutter 2. Diamantskive av kopptype 3. Diamantskive av klemkopptype 4. Indre flens 5. Beskyttelseskappe med støvoppsamler 6. Lagerboks

MERK: Informasjon om hvordan beskyttelseskappen med støvoppsamler monteres, finnes i håndboken for beskyttelseskappen med støvoppsamler.

Montere beskyttelseskappe med støvoppsamler for kapping

Valgfritt tilbehør

Med tilleggsutstyr kan du bruke dette verktøyet til å kappe steinmaterialer.

► **Fig.29**

MERK: Informasjon om hvordan beskyttelseskappen med støvoppsamler monteres, finnes i håndboken for beskyttelseskappen med støvoppsamler.

Koble til støvsuger

Valgfritt tilbehør

⚠️ADVARSEL: Bruk aldri støvsugeren på metallpartikler dannet ved sliping/skjæring/pussing. Metallpartikler dannet ved slikt arbeid er så varme at de antenner støv og filteret inne i støvsugeren.

For å hindre støvete omgivelser fra skjæring i mur, må du bruke en beskyttelseskappe med støvsamler og en støvsuger.

Se brukerveiledningen festet på beskyttelseskappen med støvsamler for å sette den sammen og å bruke den.

► **Fig.30:** 1. Beskyttelseskappe med støvsamler
2. Støvsugerslange

BRUK

⚠️ADVARSEL: Det er aldri nødvendig å bruke makt på verktøyet. Vekten av maskinen utøver passende trykk. Makt og for stort press kan føre til farlige brudd i skiven.

⚠️ADVARSEL: Skiven må ALLTID skiftes hvis maskinen mistes under sliping.

⚠️ADVARSEL: ALDRI dunk eller slå skiven mot arbeidsstykket.

⚠️ADVARSEL: Unngå at skiven hopper eller setter seg fast, særlig ved sliping av hjørner, skarpe kanter osv. Dette kan føre til at du mister kontrollen, og at maskinen slår tilbake mot deg.

⚠️ADVARSEL: Maskinen må ALDRI brukes med skjæreblander for tre eller andre sagblader. Hvis slike blader brukes på en slipemaskin, kan de ofte føre til slag fra maskinen, slik at operatøren mister kontrollen og blir skadet.

⚠FORSIKTIG: Maskinen må aldri slås på mens den er i berøring med arbeidsstykket, da dette kan skade operatøren.

⚠FORSIKTIG: Bruk alltid vernebriller eller ansiktsmaske ved arbeid med maskinen.

⚠FORSIKTIG: Når du er ferdig å bruke maskinen må du alltid slå den av og vente til skiven har stoppet helt før du setter maskinen ned.

⚠FORSIKTIG: Ha ALLTID én hånd på selve verktøyhuset og den andre hånden på støttehåndtaket (håndtaket).

MERK: En skive med dobbelt formål kan brukes til både sliping og kapping.

Se «Sliping og pussing» angående sliping, og se «Bruke kappeskive/diamantskive» angående kapping.

Sliping og pussing

► Fig.31

Slå på maskinen og sett så skiven i berøring med arbeidsstykket.

Generelt skal kanten av skiven holdes i en vinkel på omtrent 15° mot overflaten av arbeidsstykket.

I innkjøringsperioden for en ny skive må slipemaskinen ikke brukes i foroverretning, da dette kan føre til at den skjærer inn i arbeidsstykket. Så snart kanten av skiven er rundet av etter å være brukt litt, kan den brukes i både forover- og bakoverretning.

Eksempel på bruk: med diamantskive av kopptype
► Fig.32

Hold verktøyet horisontalt og sett hele diamantskiven av kopptype på arbeidsstykkets overflate.

Bruke kappeskive/diamantskive

Valgfritt tilbehør

⚠ADVARSEL: Ikke «klem fast» skiven eller legg sterkt press på den. Ikke forsøk å kutte svært dypt. For mye press på skiven øker belastningen og muligheten for vridding eller fastklemming av skiven i kuttet, noe som kan føre til tilbakeslag, skivebrudd og overoppheting av motoren.

⚠ADVARSEL: Ikke start kappingen mens skiven står i arbeidsstykket. La skiven få full hastighet og sett den forsiktig i kuttet samtidig som du beveger verktøyet fremover over overflaten på arbeidsstykket. Skiven kan sette seg fast, vandre opp eller slå tilbake hvis verktøyet startes med skiven i arbeidsstykket.

⚠ADVARSEL: Ikke endre vinkel på skiven under bruk. Legger du sideveis press på kappeskiven (som ved pussing), kan det føre til at skiven sprekker og brytes i stykker, noe som kan føre til alvorlig personskaade.

⚠ADVARSEL: En diamantskive skal brukes vinkelrett på materialet som kuttet.

Eksempel på bruk: med kappeskive med slipeeffekt
► Fig.33

Brukseksempel: bruk med diamantskive

► Fig.34

Bruke koppbørsten av stål

Valgfritt tilbehør

⚠FORSIKTIG: Kontroller driften av koppbørsten av stål ved å kjøre verktøyet uten belastning, og forsikre deg om at ingen er foran eller ved siden av børsten.

OBS: Unngå å bruke for stort trykk, som kan føre at metalltrådene bøyes når du bruker koppbørsten av stål. Det kan føre til at de ødelegges for tidlig.

Brukseksempel: bruk med koppbørsten av stål

► Fig.35

Bruke sirkulær stålbørste

Valgfritt tilbehør

⚠FORSIKTIG: Kontroller driften av skivebørsten ved å kjøre verktøyet uten belastning, og forsikre deg om at ingen er foran eller ved siden av skivebørsten.

OBS: Unngå å bruke for stort trykk, som kan føre at metalltrådene bøyes når du bruker sirkulærbørsten av stål. Det kan føre til at de ødelegges for tidlig.

Brukseksempel: bruk med sirkulærbørste av stål

► Fig.36

Bruke hullkutter

Valgfritt tilbehør

⚠FORSIKTIG: Kontroller driften av hullkutteren ved å kjøre verktøyet uten belastning, og forsikre deg om at ingen er foran hullkutteren.

OBS: Ikke vipp verktøyet under bruk. Det kan føre til at det ødelegges tidlig.

Eksempel på bruk: med hullkutter

► Fig.37

TRÅDLØSAKTIVERINGS-FUNKSJON

Hva du kan gjøre med trådløsoaktiveringsfunksjonen

Trådløsoaktiveringsfunksjonen muliggjør ren og behagelig bruk. Hvis du kobler en støttet støvsuger til verktøyet, kan du bruke støvsugeren automatisk sammen med verktøyets bryterfunksjon.

► Fig.38

Hvis du vil bruke trådløsoaktiveringsfunksjonen, må du

Klargjør følgende elementer:

- En trådløs enhet (valgfritt tilbehør)
- En støvsuger som støtter trådløsaaktiveringsfunksjonen

Oversikten over innstillingen for trådløsaaktiveringsfunksjonen er som følger. Du finner detaljerte fremgangsmåter i hver enkelt del.

1. Installere den trådløse enheten
2. Verktøyregistrering for støvsugeren
3. Starte trådløsaaktiveringsfunksjonen

Installere den trådløse enheten

Valgfritt tilbehør

⚠FORSIKTIG: Plasser verktøyet på et flatt og stabilt underlag når du skal installere den trådløse enheten.

OBS: Fjern støv og smuss på verktøyet før du installerer den trådløse enheten. Støv eller smuss kan føre til funksjonsfeil hvis det trenger inn i den trådløse enhetens spor.

OBS: For å unngå funksjonsfeil som følge av statisk elektrisitet, berører du et statisk utladningsmateriale, som en av verktøyets metalldele, før du tar i den trådløse enheten.

OBS: Når du installerer den trådløse enheten, må du passe på at den trådløse enheten settes inn i riktig rettet og at lokket lukkes helt igjen.

1. Åpne lokket på verktøyet som vist i figuren.
► **Fig.39:** 1. Lokk
2. Sett den trådløse enheten inn i sporet, og lukk lokket.

Når du setter inn den trådløse enheten, innretter du fremspringene med de utsparte delene på sporet.

- **Fig.40:** 1. Trådløs enhet 2. Fremspring 3. Lokk 4. Utspart del

Når du fjerner den trådløse enheten, må du åpne lokket sakte. Krokene på baksiden av lokket vil løfte den trådløse enheten når du drar i lokket.

- **Fig.41:** 1. Trådløs enhet 2. Krok 3. Lokk

Etter at du har fjernet den trådløse enheten, oppbevarer den i esken som følger med eller en beholder som ikke er statisk.

OBS: Du må alltid bruke krokene på baksiden av lokket når du fjerner den trådløse enheten. Hvis krokene ikke hefter seg fast i den trådløse enheten, lukker du lokket helt og åpner det sakte på nytt.

Verktøyregistrering for støvsugeren

MERK: En Makita-støvsuger som støtter trådløsaaktiveringsfunksjonen er nødvendig for verktøyregistrering.

MERK: Fullfør installasjonen av den trådløse enheten i verktøyet før du starter verktøyregistreringen.

MERK: Du må ikke dra i startbryteren eller slå på strømbryteren på støvsugeren under verktøyregistrering.

MERK: Les i tillegg brukerveiledningen for støvsugeren.

Hvis du ønsker å aktivere støvsugeren sammen med verktøyets bryterfunksjon, må du fullføre verktøyregistreringen på forhånd.

1. Sett batteriene i støvsugeren og verktøyet.
2. Still ventebryteren på støvsugeren på "AUTO".

► **Fig.42:** 1. Ventebryter

3. Trykk på trådløsaaktiveringsknappen på støvsugeren i 3 sekunder til trådløsaaktiveringslampen blinker grønt. Deretter trykker du på trådløsaaktiveringsknappen på verktøyet på samme måte.

- **Fig.43:** 1. Trådløsaaktiveringsknapp
2. Trådløsaaktiveringslampe

Hvis koblingen av støvsugeren og verktøyet lykkes, vil trådløsaaktiveringslampene lyse grønt i 2 sekunder og begynner å blinke blått.

MERK: Trådløsaaktiveringslampene slutter å blinke grønt når det har gått 20 sekunder. Trykk på trådløsaaktiveringsfunksjonen på verktøyet mens trådløsaaktiveringslampen på støvsugeren blinker. Hvis trådløsaaktiveringslampen ikke blinker grønt, trykker du på trådløsaaktiveringsknappen et kort øyeblikk og holder den inne igjen.

MERK: Når du utfører to eller flere verktøyregistreringer for én støvsuger, fullfører du verktøyregistreringen en etter en.

Starte trådløsaaktiveringsfunksjonen

MERK: Fullfør verktøyregistreringen for støvsugeren før trådløsaaktivering.

MERK: Les i tillegg brukerveiledningen for støvsugeren.

Etter at et verktøy er registrert til støvsugeren, vil støvsugeren automatisk svive sammen med verktøyets bryterfunksjon.

1. Installer den trådløse enheten i verktøyet.
2. Koble støvsugerens slange til verktøyet.

► **Fig.44**

3. Still ventebryteren på støvsugeren på "AUTO".

► **Fig.45:** 1. Ventebryter

4. Trykk et kort øyeblikk på trådløsaaktiveringsknappen på verktøyet. Trådløsaaktiveringslampen vil blinke blått.

- **Fig.46:** 1. Trådløsaaktiveringsknapp
2. Trådløsaaktiveringslampe

5. Slå på verktøyet. Kontroller om støvsugeren går

mens verktøyet er i drift.

Hvis du vil stanse støvsugerens trådløsaktivering, trykker du på trådløsaktiveringsknappen på verktøyet.

MERK: Trådløsaktiveringslampen på verktøyet vil slutte å blinke blått når verktøyet ikke har blitt brukt på 2 timer. Da setter du i tilfelle ventebryteren på støvsugerens på "AUTO" og trykker på trådløsaktiveringsknappen på verktøyet igjen.

MERK: Støvsugeren starter/stopper med en forsinkelse. Det er en tidsforsinkelse når støvsugeren oppdater at en bryter på verktøyet er trykket på.










MERK: Det trådløse enhetens overføringsavstand kan variere avhengig av sted og omgivelsesforhold.

MERK: Når to eller flere verktøy er registrert til én støvsuger, kan det hende at støvsugeren begynner å kjøre selv om du ikke slår på verktøyet fordi en annen bruker bruker trådløsaktiveringsfunksjonen.

Beskrivelse av trådløsaktiveringslampens status

► Fig.47: 1. Trådløsaktiveringslampe

Trådløsaktiveringslampen viser statusen til trådløsaktiveringsfunksjonen. Du finner informasjon om lampestatusens betydning i tabellen nedenfor.

Status	Trådløsaktiveringslampe				Beskrivelse
	Farge	 På	 Blinker	Varighet	
Vente-modus	Blå			2 timer	Trådløsaktivering av støvsugeren er tilgjengelig. Lampen vil slå seg av når verktøyet ikke har blitt brukt på 2 timer.
				Når verktøyet sviver.	Trådløsaktivering av støvsugeren er tilgjengelig, og verktøyet sviver.
Verktøyregistrering	Grønn			20 sekunder	Klar for verktøyregistrering. Venter på registrering av støvsugeren.
				2 sekunder	Verktøyregistreringen er fullført. Trådløsaktiveringslampen vil begynne å blinke blått.
Avbryte verktøyregistrering	Rød			20 sekunder	Klar for å avbryte verktøyregistrering. Venter på at støvsugeren skal avbryte.
				2 sekunder	Verktøyregistreringen er avbrutt. Trådløsaktiveringslampen vil begynne å blinke blått.
Andre	Rød			3 sekunder	Den trådløse enheten forsynes med strøm, og trådløsaktiveringsfunksjonen starter opp.
	Av	-		-	Trådløsaktivering av støvsugeren stanses.

Avbryte verktøyregistrering for støvsugeren

Gå frem på følgende måte når du skal avbryte verktøyregistrering for støvsugeren.

1. Sett batteriene i støvsugeren og verktøyet.
2. Still ventebryteren på støvsugerens på "AUTO".

► Fig.48: 1. Ventebryter

3. Trykk på trådløsaktiveringsknappen på støvsugeren i 6 sekunder. Trådløsaktiveringslampen blinker grønt og blir deretter rød. Deretter trykker du på trådløsaktiveringsknappen på verktøyet på samme måte.

► Fig.49: 1. Trådløsaktiveringsknapp 2. Trådløsaktiveringslampe

Hvis avbrytningen er vellykket, vil trådløsaktiveringslampene lyse rødt i 2 sekunder og begynne å blinke blått.

MERK: Trådløsaktiveringslampene slutter å blinke rødt når det har gått 20 sekunder. Trykk på trådløsaktiveringsfunksjonen på verktøyet mens trådløsaktiveringslampen på støvsugeren blinker. Hvis trådløsaktiveringslampen ikke blinker rødt, trykker du på trådløsaktiveringsknappen et kort øyeblikk og holder den inne igjen.

Feilsøking for trådløsaktiveringsfunksjonen

Inspirer utstyret selv før du bestiller reparasjon. Ikke prøv å demontere verktøyet hvis du finner et problem som ikke er forklart i brukerveiledningen. I stedet bør du ta kontakt med et av Makitas autoriserte servicesentre, som alltid bruker reservedeler fra Makita til reparasjoner.

Unormal tilstand	Sannsynlig årsak (feil)	Løsning
Trådløsoverføringslampe tennes/ blinker ikke.	Den trådløse enheten er ikke installert i verktøyet. Den trådløse enheten er installert på feil måte i verktøyet.	Installer den trådløse enheten på riktig måte.
	Det trådløse enhetens tilkoblingspunkt og/eller spor er tilsusset.	Tørk forsiktig bort støv og smuss på den trådløse enhetens tilkoblingspunkt, og rengjør sporet.
	Du har ikke trykket på trådløsoverføringsknappen.	Trykk et kort øyeblikk på trådløsoverføringsknappen på verktøyet.
	Ventebryteren på støvsugeren er ikke stilt inn på "AUTO".	Still ventebryteren på støvsugeren på "AUTO".
	Ingen strømforsyning	Sørg for at verktøyet og støvsugeren har strømforsyning.
Kan ikke fullføre verktøyregistrering/ avbryt verktøyregistrering.	Den trådløse enheten er ikke installert i verktøyet. Den trådløse enheten er installert på feil måte i verktøyet.	Installer den trådløse enheten på riktig måte.
	Det trådløse enhetens tilkoblingspunkt og/eller spor er tilsusset.	Tørk forsiktig bort støv og smuss på den trådløse enhetens tilkoblingspunkt, og rengjør sporet.
	Ventebryteren på støvsugeren er ikke stilt inn på "AUTO".	Still ventebryteren på støvsugeren på "AUTO".
	Ingen strømforsyning	Sørg for at verktøyet og støvsugeren har strømforsyning.
	Feil bruk	Trykk på trådløsoverføringsknappen et kort øyeblikk, og utfør verktøyregistrering/avbryting på nytt.
	Verktøyet og støvsugeren er for langt unna hverandre (utenfor overføringsområdet).	Sørg for at verktøyet og støvsugeren er nærmere hverandre. Maksimal overføringsavstand er ca. 10 m, men den kan variere avhengig av forholdene.
	Før du fullfører verktøyregistrering/ avbryting: - bryteren på verktøyet er slått på, eller - startknappen på støvsugeren er slått på.	Trykk på trådløsoverføringsknappen et kort øyeblikk, og utfør verktøyregistrering/avbryting på nytt.
	Verktøyregistreringen for verktøyet eller støvsugeren er ikke fullført.	Følg fremgangsmåten for verktøyregistrering for både verktøyet og støvsugeren samtidig.
	Radioforstyrrelse fra andre innretninger som genererer radiobølger med høy intensitet.	Hold verktøyet og støvsugeren borte fra innretninger som WiFi-enheter og mikrobølgeovner.
	Støvsugeren svinger ikke sammen med verktøets bryterfunksjon.	Den trådløse enheten er ikke installert i verktøyet. Den trådløse enheten er installert på feil måte i verktøyet.
Det trådløse enhetens tilkoblingspunkt og/eller spor er tilsusset.		Tørk forsiktig bort støv og smuss på den trådløse enhetens tilkoblingspunkt, og rengjør sporet.
Du har ikke trykket på trådløsoverføringsknappen.		Trykk på trådløsoverføringsknappen et kort øyeblikk, og kontroller at trådløsoverføringslampe blinker blått.
Ventebryteren på støvsugeren er ikke stilt inn på "AUTO".		Still ventebryteren på støvsugeren på "AUTO".
Mer enn 10 verktøy er registrert til støvsugeren.		Utfør verktøyregistreringen på nytt. Hvis mer enn 10 verktøy er registrert til støvsugeren, vil det først registrerte verktøyet bli fjernet automatisk.
Støvsugeren slettet alle verktøyregistreringer.		Utfør verktøyregistreringen på nytt.
Ingen strømforsyning		Sørg for at verktøyet og støvsugeren har strømforsyning.
Verktøyet og støvsugeren er for langt unna hverandre (utenfor overføringsområdet).		Sørg for at verktøyet og støvsugeren er nærmere hverandre. Maksimal overføringsavstand er ca. 10 m, men den kan variere avhengig av forholdene.
Radioforstyrrelse fra andre innretninger som genererer radiobølger med høy intensitet.		Hold verktøyet og støvsugeren borte fra innretninger som WiFi-enheter og mikrobølgeovner.

Unormal tilstand	Sannsynlig årsak (feil)	Løsning
Støvsugerer går mens verktøyet ikke er i drift.	Andre brukere bruker støvsugerens trådløsoverføring med verktøyene sine.	Slå av de andre verktøyenes trådløsoverføringsknapp, eller avbryt verktøyregistrering for andre verktøy.

VEDLIKEHOLD

⚠FORSIKTIG: Forviss deg alltid om at maskinen er slått av og batteriet tatt ut før du foretar inspeksjon eller vedlikehold.

OBS: Aldri bruk gasolin, bensin, tynner alkohol eller lignende. Det kan føre til misfarging, deformering eller sprekkdannelse.

For å opprettholde produktets SIKKERHET og PÅLITELIGHET, må reparasjoner, vedlikehold og justeringer utføres av autoriserte Makita servicesentre eller fabrikkservicesentre, og det må alltid brukes

reservedeler fra Makita.

Rengjøring av luftventil

Maskinen og lufteåpningene må holdes rene. Rengjør maskinens lufteåpninger med jevne mellomrom og ellers når åpningene begynner å tettes.

► **Fig.50:** 1. Ventilasjonsutløp 2. Innsugsventil

Fjern støvdekslet fra innsugsventilen, og rengjør det for å sikre en jevn luftsirkulering.

► **Fig.51:** 1. Støvdeksel

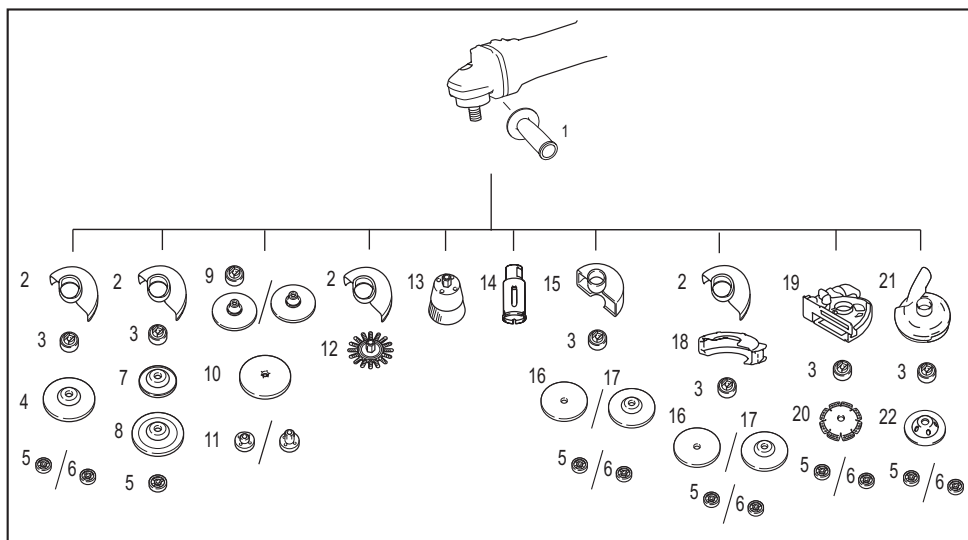
OBS: Rengjør støvdekslet når det er tilstoppet av støv eller fremmedlegemer. Fortsett drift med et tilstoppet støvdeksel kan skade verktøyet.

KOMBINASJON AV BRUK OG TILBEHØR

Valgfritt tilbehør

⚠FORSIKTIG: Bruk av verktøyet med feil vern kan føre til følgende risikoer.

- Når en beskyttelseskappe for kappskive brukes til flatesliping, kan det hende at beskyttelseskappen kommer i veien for arbeidsstykket og fører til dårlig kontroll.
- Når du bruker en beskyttelseskappe for slipeskive til kapping med sammenføyde slipeskiver og diamantskiver, er det større risiko for eksponering for roterende skiver, gnister og partikler, samt eksponering for skivefragmenter i tilfelle skiven sprekker.
- Når en beskyttelseskappe for kappskive eller slipeskive brukes til flatesliping med diamantskiver av kopptypen, kan det hende at beskyttelseskappen kommer i veien for arbeidsstykket og fører til dårlig kontroll.
- Når en beskyttelseskappe for kappskive eller slipeskive brukes med en rund stålborste som er tykkere enn maksimaltykkelsen som er spesifisert under «SPESIFIKASJONER», kan ståltrådene hekte seg i beskyttelseskappen slik at ståltrådene bryter.
- Bruk av beskyttelseskapper med støvoppsamling for kapping og flatebehandling i betong eller murarbeid reduserer risikoen for støveksposering.
- Når det brukes flensmonterte skiver med dobbelt formål (kombinert sliping og kapping), skal du bare bruke en beskyttelseskappe for kappeskive.



	Bruksområde	100 mm-modell	115 mm-modell	125 mm-modell
1	-	Støtتهåndtak		
2	-	Beskyttelseskappe (for slipehjul)		
3	-	Indre flens	Indre flens / superflens *1*2	
4	Sliping/pussing	Nedsenket nav / klaffskive		
5	-	Låsemutter		
6	-	-	Ezynut *1*3	
7	-	Reservepute		
8	Sliping	Flex-hjul		
9	-	Indre flens og gummi-rondell 76	Gummi-hette 100	Gummi-hette 115
10	Pussing	Slipeskive		
11	-	Låsemutter for sliping		
12	Stålbørsting	Sirkulærbørste av stål		
13	Stålbørsting	Koppbørste av stål		
14	Hullskjæring	Hullkutter		
15	-	Beskyttelseskappe (for kappeskive)		
16	Kapping	Slipende kappeskive / diamantskive		
17	Sliping/kapping	Skive med dobbelt formål		
18	-	Beskyttelseskappe med klips for skjæreskive *4		
19	-	Beskyttelseskappe med støvoppsamler for kapping *5		
20	Kapping	Diamantskive		
21	-	-	Beskyttelseskappe med støvoppsamler for sliping *6	
22	Sliping	-	Diamantskive av kopptype *6	
-	-	Låsemutternøkkel		

MERK: *1 Superflens og Ezynut må ikke brukes sammen.

MERK: *2 Superflensen må ikke brukes med slipemaskin med bremsefunksjon.

MERK: *3 Kun for verktøy med M14 spindelgjenger.

MERK: *4 Beskyttelseskappe med klips for skjæreskive er ikke tilgjengelig i enkelte land. Du finner mer informasjon i bruksanvisningen for beskyttelseskappen med klips for skjæreskive.

MERK: *5 Flere opplysninger finnes i hver av bruksanvisningene for beskyttelseskappen.

MERK: *6 Kun for modell GA028G / GA029G / GA031G / GA032G

Flere opplysninger finnes i hver av bruksanvisningene for beskyttelseskappen.

VALGFRITT TILBEHØR

⚠FORSIKTIG: Det anbefales at du bruker dette tilbehøret eller verktøyet sammen med den Makita-maskinen som er spesifisert i denne håndboken. Bruk av annet tilbehør eller verktøy kan forårsake personskader. Tilbehør og verktøy må kun brukes til det formålet det er beregnet på.

Ta kontakt med ditt lokale Makita-servicesenter hvis du trenger mer informasjon om dette tilbehøret.

- Makita originalbatteri og lader
- Tilbehør oppført under «KOMBINASJON AV BRUK OG TILBEHØR»
- Trådløs enhet (for modeller med trådløs aktiveringsfunksjon)

MERK: Enkelte elementer i listen kan være inkludert som standardtilbehør i verktøypakken. Elementene kan variere fra land til land.

TEKNISET TIEDOT

Malli:		GA027G	GA028G	GA029G	GA030G	GA031G	GA032G
Käyttökelpoinen hiomalaikka	Laikan suurin halkaisija	100 mm	115 mm	125 mm	100 mm	115 mm	125 mm
	Laikan suurin paksuus	6,4 mm	7,2 mm	6,4 mm	7,2 mm		
Käyttökelpoinen katkaisulaikka	Laikan suurin halkaisija	105 mm	115 mm	125 mm	105 mm	115 mm	125 mm
	Laikan suurin paksuus	3,2 mm					
Käyttökelpoinen teräsharjalaikka	Laikan suurin halkaisija	100 mm	115 mm	125 mm	100 mm	115 mm	125 mm
	Laikan suurin paksuus	20 mm					
Karan kierre		M10	M14 tai 5/8" (maakohtainen)	M10	M14 tai 5/8" (maakohtainen)		
Karan suurin pituus		18 mm	23 mm	18 mm	23 mm		
Nopeus ilman kuormaa (n ₀) / nimellinopeus (n)		9 000 min ⁻¹					
Kokonaispituus	BL4025:n kanssa	413 mm					
	BL4040:n kanssa	425 mm					
Nettopaino		2,8–5,2 kg	3,0–5,4 kg	2,8–5,2 kg	2,9–5,3 kg		
Nimellisjännite		DC 36 V – 40 V maks.					

- Jatkuvasta tutkimus- ja kehitystyöstämme johtuen esitetyt tekniset tiedot saattavat muuttua ilman erillistä ilmoitusta.
- Tekniset tiedot voivat vaihdella maittain.
- Paino saattaa vaihdella lisävarusteiden ja akkupaketin mukaan. Taulukossa on kuvattu kevyin ja painavin yhdistelmä.

Käytettävä akkupaketti ja laturi

Akkupaketti	BL4020 / BL4025* / BL4040* / BL4040F* / BL4050F* / BL4080F* *: Suositeltu akku
Laturi	DC40RA / DC40RB / DC40RC / DC40WA / BCC01 / BCC02

- Tiettyjä yläpuolella kuvattuja akkuja ja latureita ei ehkä ole saatavana asuinalueestasi johtuen.

VAROITUS: Käytä vain edellä eriteltyjä akkupaketteja ja latureita. Muiden akkupakettien ja laturien käyttäminen voi aiheuttaa loukkaantumisen ja/tai tulipalon.

Suosittu johdollinen virtalähde

Kannettava tehoyksikkö	PDC01 / PDC1200 / PDC1500
------------------------	---------------------------

- Edellä luetellut johdolliset virtalähteet eivät ehkä ole saatavana asuinalueellasi.
- Lue johdollisen virtalähteen käyttöohjeet ja tutustu siinä oleviin varoitusmerkintöihin ennen sen käyttämistä.

Symbolit



Älä käytä laikan suojusta katkaisikäytössä.

Laitteessa on mahdollisesti käytetty seuraavia symboleja. Opettele niiden merkitys ennen käyttöä.



Lue käyttöohje.



Käytä suojalaseja.



Käytä aina kahdella kädellä.



Koskee vain EU-maita
Käytetyillä sähkö- ja elektroniikkalaitteilla, paristoilla ja akuilla voi olla negatiivisia ympäristö- ja terveysvaikutuksia niissä käytettyjen haitallisten osien takia.
Älä hävitä sähkö- ja elektroniikkalaitteita tai akkuja kolitalousjätteen mukana!
Vanhoja sähkö- ja elektroniikkalaitteita, paristoja ja akkuja koskevan EU-direktiivin ja sen perusteella laadittujen kansallisten lakien mukaan käytetyt sähkö- ja elektroniikkalaitteet, paristot ja akut on kierrätettävä toimittamalla ne erilliseen, ympäristönsuojelusäädösten mukaisesti toimivaan kierrätyspisteeseen.
Tämä on ilmaistu laitteessa olevalla yliviedyn roska-astian symbolilla.

Käyttötarkoitus

Työkalu on tarkoitettu metallin ja kiven karkeaan ja hienoon hiomiseen, riian leikkaamiseen ja leikkaamiseen ilman vettä.

Melutaso

Tyypillinen A-painotettu melutaso määryty standardin EN62841-2-3 mukaan:

Malli	Äänenpainetaso (L_{pA}): (dB(A))	Äänentehotaso (L_{WA}): (dB(A))	Virhemarginaali (K): (dB(A))
GA027G	84	92	3
GA028G	84	92	3
GA029G	85	93	3
GA030G	84	92	3
GA031G	84	92	3
GA032G	85	93	3

HUOMAA: Ilmoitetut melutasoarvot on mitattu standarditestausten menetelmän mukaisesti ja niiden avulla voidaan vertailla työkaluja keskenään.

HUOMAA: Ilmoitettuja melutasoarvoja voidaan käyttää myös altistumisen alustavaan arviointiin.

VAROITUS: Käytä kuulosuojaimia.

VAROITUS: Sähkötyökalun käytön aikana mitattu melutasoarvo voi poiketa ilmoitetuista arvoista laitteen käyttötavan ja erityisesti käsiteltävän työkappaleen mukaan.

VAROITUS: Selvitä käyttäjän suojaamiseksi tarvittavat varoimet todellisissa käyttöolosuhteissa tapahtuvan arvioitun altistumisen mukaisesti (ottaen huomioon käyttöjakso kokonaisuudessaan, myös jaksot, joiden aikana laite on sammutettuna tai käy tyhjäkäynnillä).

VAROITUS: Ohuiden metallilevyjen tai muiden helposti tärisevien rakenteiden, joiden pinta-ala on suuri, hiominen voi aiheuttaa kokonaismelupäästön, joka on paljon suurempi (jopa 15 dB) kuin ilmoitetut melupäästöarvot.

Aseta painavia joustavia mattoja tai vastaavia tällaisiin työkappaleisiin niiden äänen vaimentamiseksi.

Ota lisääntynyt melupäästö huomioon sekä meluallistusriskin arvioinnissa että asianmukaisten kuulosuojaimien valinnassa.

Tärinä

Kokonaistärinä (kolmen akselin vektorien summa) määryty standardin EN62841-2-3 mukaan:

Käyttötila: pintahionta tavallista sivukahvaa käyttäen

Malli	Tärinäpäästö ($a_{h, AG}$): (m/s^2)	Virhemarginaali (K): (m/s^2)
GA027G	4,5	1,5
GA028G	5,0	1,5
GA029G	6,0	1,5
GA030G	4,5	1,5
GA031G	5,0	1,5
GA032G	6,0	1,5

Käyttötila: pintahionta tärinävaimentavaa sivukahvaa käyttäen

Malli	Tärinäpäästö ($a_{h, AG}$): (m/s ²)	Virhemarginaali (K): (m/s ²)
GA027G	4,5	1,5
GA028G	5,0	1,5
GA029G	6,5	1,5
GA030G	4,5	1,5
GA031G	5,0	1,5
GA032G	6,5	1,5

Käyttötöila: laikkahionta tavallista sivukahvaa käyttäen

Malli	Tärinäpäästö ($a_{h, DS}$): (m/s ²)	Virhemarginaali (K): (m/s ²)
GA027G	2,5 m/s ² tai alaisempi	1,5
GA028G	2,5	1,5
GA029G	3,0	1,5
GA030G	2,5 m/s ² tai alaisempi	1,5
GA031G	2,5	1,5
GA032G	3,0	1,5

Käyttötöila: laikkahionta tärinänvaimentavaa sivukahvaa käyttäen

Malli	Tärinäpäästö ($a_{h, DS}$): (m/s ²)	Virhemarginaali (K): (m/s ²)
GA027G	2,5 m/s ² tai alaisempi	1,5
GA028G	2,5	1,5
GA029G	3,0	1,5
GA030G	2,5 m/s ² tai alaisempi	1,5
GA031G	2,5	1,5
GA032G	3,0	1,5

HUOMAA: Ilmoitetut kokonaistärinäarvot on mitattu standarditestausten mukaisesti ja niiden avulla voidaan vertailla työkaluja keskenään.

HUOMAA: Ilmoitettuja kokonaistärinäarvoja voidaan käyttää myös altistumisen alustavaan arviointiin.

VAROITUS: Sähkötyökalun käytön aikana mitattu todellinen tärinäpäästöarvo voi poiketa ilmoitetuista arvoista laitteen käyttötavan ja erityisesti käsiteltävän työkappaleen mukaan.

VAROITUS: Selvitä käyttäjän suojaamiseksi tarvittavat varoimet todellisissa käyttöolosuhteissa tapahtuvan arvioidun altistumisen mukaisesti (ottaen huomioon käyttöjako kokonaisuudessaan, myös jaksot, joiden aikana laite on sammutettuna tai käy tyhjäkäynnillä).

VAROITUS: Ilmoitettu tärinäpäästöarvo koskee tämän työkalun pääasiallisia käyttötarkoituksia. Tärinäpäästöarvo voi kuitenkin muuttua, jos työkalua käytetään muihin tarkoituksiin.

Vaatimustenmukaisuusvaatimukset

Koskee vain Euroopan maita

Vaatimustenmukaisuusvakuutukset on liitetty tähän käyttöoppaaseen liitteeksi A.

TURVAVAROITUKSET

Sähkötyökalujen käyttöä koskevat yleiset varoitukset

VAROITUS Tutustu kaikkiin tämän sähkötyökalun mukana toimitettuihin turvavaroituksiin, ohjeisiin, kuviin ja teknisiin tietoihin. Seuraavassa esitettyjen ohjeiden noudattamatta jättäminen voi aiheuttaa sähköiskun, tulipalon ja/tai vakavan vamman.

Säilytä varoitukset ja ohjeet tulevaa käyttöä varten.

Varoituksissa käytettävällä termillä "sähkötyökalu" tarkoitetaan joko verkkovirtaa käyttävää (johdollista) työkalua tai akkukäyttöistä (johdotonta) työkalua.

Akkukäyttöisen hiomakoneen turvaohjeet

Hiontaa, hiekkapaperihiontaa, harjausta ja katkaisua koskevat yleiset varoitukset:

1. Tätä sähkötyökalua voidaan käyttää hiomakoneena, hiekkapaperihiomakoneena, teräs-harjana reikäleikkurina ja katkaisutyökaluna. Tutustu kaikkiin tämän sähkötyökalun mukana toimitettuihin varoituksiin, ohjeisiin, kuviin ja teknisiin tietoihin. Seuraavassa lueteltujen ohjeiden noudattamatta jättäminen saattaa johtaa sähköiskuun, tulipaloon tai vakavaan

henkilövahinkoon.

2. **Älä käytä työkalua kiillottamiseen tms.** Toiminnot, joihin tätä sähkötyökalua ei ole suunniteltu, voivat aiheuttaa vaaran ja johtaa henkilövahinkoon.
3. **Älä muunna tätä sähkötyökalua toimimaan tavalla, joka ei ole nimenomaan työkalun valmistajan suunnittelema tai määrittämä.** Tällainen muunnos voi aiheuttaa hallinnan menetyksen ja vakavia henkilövahinkoja.
4. **Älä käytä lisävarusteita, jotka eivät ole nimenomaan työkalun valmistajan suunnittelema tai määrittämiä.** Vaikka lisävaruste voidaan kiinnittää sähkötyökaluun, sen käyttö ei silti välttämättä ole turvallista.
5. **Lisävarusteen nimellinopeuden täytyy olla vähintään yhtä suuri kuin sähkötyökaluun merkitty enimmäisnopeus.** Nimellinopeuttaan suuremmalla nopeudella toimivat lisävarusteet voivat rikkoutua ja singota irti.
6. **Lisävarusteen ulkohalkaisijan ja paksuuden on oltava sähkötyökalun kapasiteetti- ja luokituksen mukainen.** Vääränkokoisia lisävarusteita ei voi suojata tai hallita riittävästi.
7. **Lisävarusteen kiinnitysmittojen täytyy vastata sähkötyökalun kiinnittimen mittoja.** Jos lisävaruste ei sovi sähkötyökalun kiinnittimiin, sähkötyökalu käy epätasapainossa ja voi täristä voimakkaasti, mikä voi johtaa hallinnan menetykseen.
8. **Älä käytä vaurioitunutta lisävarustetta.** Tarkista ennen jokaista käyttökertaa, ettei lisävarusteessa, kuten hiomalaikassa, ole lohkeamia tai halkeamia, ettei tukityynyissä ole halkeamia, murtumia tai merkkejä liiallisesta kulumisesta ja ettei lankaharjassa ole irtonaisia tai murtuneita lankoja. Jos sähkötyökalu tai lisävaruste putoaa, tarkista sen kunto tai vaihda lisävaruste ehjään. Asetu lisävarusteen tarkistuksen ja asennuksen jälkeen siten, ettet sinä tai kukaan sivullinen ole pyörivän lisävarusteen kanssa samassa tasossa, ja käytä sähkötyökalua sitten suurimmalla sallitulla nopeudella ilman kuormaa yhden minuutin ajan. Vahingoittuneet lisävarusteet yleensä rikkoutuvat tämän testin aikana.
9. **Käytä henkilönsuojaimia.** Käytä käyttö- ja suojalaseja tai sivusuojilla varustettuja lasseja. Käytä tarvittaessa hengityssuojainta, kuulosuojaimia, hansikkaita ja työesiliinaa, joka suojaa pieniltä hioma- tai työkappaleen pirstaleilta. Suojalasiin täytyy suojata kaikenlaisista töistä aiheutuvilta lentäviltä pirstaleilta. Hengityssuojaimen täytyy suodattaa tietyn työskentelyn tuottamat hiukkaset. Pitkäaikainen altistuminen voimakkaalle melulle voi vahingoittaa kuuloa.
10. **Pidä sivulliset turvallisen välimatkan päässä työalueelta.** Kaikkien työskentelyalueelle tulevien on käytettävä henkilönsuojaimia. Työkappaleen tai rikkoutuneen lisävarusteen pirstaleet voivat sinkoutua ja aiheuttaa onnettomuuden muallakin kuin käyttökohteen välittömässä läheisyydessä.
11. **Kun suoritat toimintaa, jossa työkalu voi joutua kosketukseen piilossa olevien johtojen**

kanssa, pidä kiinni työkalusta sen eristetyin pinnan kohdalta. Jos sähkötyökalun metalliosia joutuu kosketukseen jännitteisen virtajohdon kanssa, työkalun sähköä johtavat metalliosat voivat aiheuttaa käyttäjälle sähköiskun.

12. **Älä koskaan laske sähkötyökalua alas, ennen kuin lisävaruste on täysin pysähtynyt.** Pyörivä lisävaruste voi tarrata pintaan ja vetää sähkötyökalun käsistäsi.
13. **Älä käytä sähkötyökalua, kun kannat sitä sivullasi.** Pyörivä lisävaruste voi tarttua vaatteisiisi ja vetää lisävarusteen kehoosi.
14. **Puhdista sähkötyökalun ilma-aukot säännöllisesti.** Moottorin tuuletin imee pölyä koteloon, ja metallijauheen liiallinen kertyminen voi aiheuttaa sähköiskuvaaran.
15. **Älä käytä sähkötyökalua tulenarkojen materiaalien lähellä.** Kipinät voivat sytyttää tällaiset materiaalit.
16. **Älä käytä lisävarusteita, jotka vaativat jäähdytysnestettä.** Veden tai muun jäähdytysnesteen käyttäminen voi aiheuttaa sähkötapaturman tai -iskun.

Takapotku ja siihen liittyvät varoitukset:

Takapotku on kiinni juuttuvan tai takertuvan pyörivän laikan, tukitynyyn, harjan tai muun lisävarusteen aiheuttama äkillinen sysäys. Kiinni juuttuminen tai takertuminen aiheuttaa sen, että pyörivä lisävaruste pysähtyy nopeasti, mikä puolestaan alkaa työntää työkalua hallitsemattomasti pyörimisliikkeelle vastakkaiseen suuntaan.

Jos esimerkiksi hiomalaikka juuttuu kiinni tai takertuu työkappaleeseen, juuttumiskohtaan pureutumassa oleva laikka voi tunkeutua kappaleen pintaan, jolloin se kiipeää ylös tai potkaisee taaksepäin. Laikka voi ponnahtaa joko käyttäjää kohti tai käyttäjästä poispäin riippuen laikan pyörimissuunnasta juuttumishetkellä. Hiomalaikat voivat myös rikkoutua näissä tilanteissa. Takapotku johtuu sähkötyökalun virheellisestä käytöstä ja/tai käyttötavasta tai olosuhteista. Takapotku voidaan välttää seuraavien varoitimien avulla.

1. **Pidä sähkötyökalusta tukevasti kiinni molemmin käsin ja asetu sellaiseen asentoon, että voit vastustaa takapotkun voimaa.** Käytä aina apukahvaa, jos sellainen on, jotta voit hallita käynnistyksen aikaista takapotku- tai vääntöreaktiota mahdollisimman tehokkaasti. Käyttäjä voi hallita vääntöreaktioita tai takapotkun voimaa noudattamalla asianmukaisia varoitoimenpiteitä.
2. **Älä koskaan vie kättäsi pyörivän lisävarusteen lähelle.** Lisävarusteen takapotku saattaa osua kätteesi.
3. **Älä asetu niin, että kehosi jää sähkötyökalun tielle takapotkun sattuessa.** Takapotku sysää työkalua laikan pyörimissuuntaan nähdn päinvastaiseen suuntaan kiinni juuttumishetkellä.
4. **Ole erityisen varovainen, kun työstät kulmia, teräviä reunoja tms. Vältä lisävarusteen pomp-pimista ja tarttumista.** Kulmilla, terävillä reunoilla tai pomp-pimisella on taipumus johtaa pyörivän lisävarusteen tarttumiseen kiinni ja hallinnan menettämiseen tai takapotkuun.
5. **Älä käytä laitteessa teräketjullista puunleikkuuterää, halkaisijaltaan yli 10 mm:n kokoista segmentoitua timanttilaikkaa tai hammastettua**

sahanterää. Tällaiset terät aiheuttavat usein takapotkuja ja hallinnan menettämisen.

Hiontaa ja katkaisua koskevat erityiset varoitukset:

- Käytä vain sähkötyökalulle tarkoitettuja laikkatyyppejä ja nimenomaan valitulle laikalke tarkoitettua suojusta.** Muita kuin sähkötyökalulle tarkoitettuja laikkoja ei voida suojata kunnolla, eivätkä ne ole turvallisia.
- Uputetulla navalla varustettujen laikkojen hiomapinnan on oltava suojaareunan tason alapuolella.** Väärin asennettua laikkaa, joka työnäytty suojaareunan tason läpi, ei ole asianmukaisesti suojattu.
- Suojus on kiinnitettävä sähkötyökaluun tukevasti ja mahdollisimman suojaavaan asentoon niini, että mahdollisimman pieni osa laikasta on paljaana käyttäjää kohti.** Suoja suojaaa käyttäjää rikkoutuneen laikan palasilta ja kipinöiltä, jotka voisivat syyttää vaatteet palamaan, sekä estää vahingossa koskettamasta laikkaa.
- Laikkaa saa käyttää vain niiden määritettyihin käyttötarkoituksiin.** Esimerkiksi: älä käytä katkaisulaikan sivua hiomiseen. Katkaisulaikkaa käytettäessä hionta tapahtuu vain laikan kehällä. Sivuttaisvoimat voivat rikkoa laikkaa.
- Käytä aina ehjiä ja oikean kokoisia laikkalaippoja, joiden muoto vastaa valittua laikkaa.** Oikeantyyppiset laikkalaipat tukevat laikkaa ja pienentävät näin laikan rikkoutumisriskiä. Katkaisulaikkoihin tarkoitetut laipat voivat olla erilaisia kuin hiomalaikkojen laipat.
- Älä käytä suurempien sähkötyökalujen kulu-neita laikkoja.** Suuriin sähkötyökaluihin tarkoitetut laikat eivät sovi suuremmalla nopeudella toimiviin pienempiin työkaluihin ja voivat siksi hajota.
- Käytä kaksoiskäyttölaikkoja käytettäessä aina oikeaa, työhön tarkoitettua suojusta.** Jos oikeaa suojusta ei käytetä, haluttua suojaustasoa ei välttämättä saavuteta, mikä saattaa johtaa vakaviin onnettomuuksiin.

Katkaisua koskevat lisävaroitukset:

- Älä pakota katkaisulaikkaa kiinni tai käytä liikaa voimaa.** Älä yritä tehdä liian syvää leikkausuraa. Laikan liiallinen painaminen lisää kuormitusta ja laikan vääntymis- tai juuttumisriskiä, jolloin seurauksena voi olla takapotku tai laikan rikkoutuminen.
- Älä asetu samaan linjaan pyörivän laikan taakse.** Kun laikka liikkuu käytettäessä käyttäjältä poispäin, mahdollinen takapotku voi sysätä pyörivän laikan ja sähkötyökalun suoraan käyttäjää kohti.
- Jos laikka taketelee tai työ joudutaan jostakin syystä keskeyttämään, katkaise sähkötyökaluusta virta ja pidä sitä paikoillaan liikkumatta, kunnes laikka on täysin pysähtynyt.** Älä koskaan yritä irrottaa katkaisulaikkaa leikkauksurasta, kun laikka vielä pyörii, koska seurauksena voi olla takapotku. Selvitä laikan takertelun syy ja poista se.
- Älä aloita leikkausta uudelleen laikka kiinni työkappaleessa.** Anna laikan saavuttaa täysi pyörimisnopeus ja työnnä laikka sitten varovasti leikkauksuraan. Jos sähkötyökalu käynnistetään, kun se on kiinni työkappaleessa, laikka voi

juuttua, ponnahtaa ylös tai aiheuttaa takapotkun.

- Vähennä laikan takertelu- ja takapotkuriskiä tukemalla paneelit ja ylisuuret työkappaleet.** Suurikokoiset työkappaleet pyrkivät taipumaan omasta painostaan. Työkappale on tuettava laikan kummaltakin puolelta leikkauslinjan vierestä ja työkappaleen reunoilta.
- Ole erityisen varovainen, kun leikkaat ”tas-kuja” valmiisiin seinisiin tai muihin umpinaisiin rakenteisiin.** Ulkoneva laikka voi katkaista kaasutiä vesiputken tai sähköjohtojohtoa tai osua takapotkun aiheuttaviin esteisiin.
- Älä yritä tehdä kaarevia leikkauksia.** Laikan liiallinen painaminen lisää kuormitusta ja laikan vääntymis- tai juuttumisriskiä, jolloin seurauksena voi olla takapotku tai laikan rikkoutuminen, mistä voi seurata vakava vamma.
- Ennen kuin käytät segmentoitua timanttilaikkaa, varmista, ettei segmenttien välinen rako laikan kehällä ole yli 10 mm ja että laikan teräkulma on negatiivinen.**

Hiekkapaperihiontaa koskevat erityiset varoitukset:

- Käytä oikean kokoista hiomalaikkapaperia.** Noudata hiekkapaperin valinnassa valmistajan suosituksia. Hiomatynyn ulkopuolelle ulottuva liian suuri hiekkapaperi voi revetä ja aiheuttaa takertelua, laikkavaurioita tai takapotkun.

Teräsharjausta koskevat erityiset varoitukset:

- Ota huomioon, että harjaksia irtoaa harjasta myös normaalkäytössä.** Älä kuormita harjaksia turhaan painamalla liian voimakkaasti. Harjokset voivat helposti tunkeutua kevyen vaate-tuksen ja/tai ihon läpi.
- Jos harjauksessa tulee käyttää suojusta, älä anna harjauslaikan tai harjan koskettaa suojukseen.** Harjauslaikan tai harjan halkaisija voi kasvaa kuormituksen ja keskikipakoisuiman vaikutuksesta.

Turvallisuutta koskevat lisävaroitukset:

- Jos käytät hiomalaikkaa, jossa on upotettu keskio, varmista, että laikka on lasikuituvahvisteinen.**
- ÄLÄ KOSKAAN käytä tässä hiomakoneessa kiven hiontaan tarkoitettuja kuppilaitteita.** Hiomakoneetta ei ole suunniteltu tämän tyyppisten laikkojen käyttöön. Vääräntyyppisten laikkojen käyttö voi aiheuttaa vakavan henkilövahingon.
- Varo, ettet vahingoita karaa, laippaa (erityisesti asennuspintaa) tai lukkomutteria.** Näiden osien vioittuminen voi aiheuttaa laikan rikkoutumisen.
- Varmista, ettei laikka kosketa työkappaleeseen, ennen kuin virta on kytketty päälle kytkimestä.**
- Anna koneen käydä jonkin aikaa, ennen kuin alat työstää työkappaletta.** Varo, ettei se värähtele tai tärisse, mikä voi olla merkki siitä, että laikka on huonosti asennettu tai tasapainotettu.
- Käytä hiontaan siihen tarkoitettua laikan pintaa.**
- Älä jätä työkalua käymään itseksensä.** Käytä laitetta vain silloin, kun pidät sitä kädessä.
- Älä kosketa työkappaletta heti käytön jälkeen,**

sillä se saattaa olla erittäin kuuma ja polttaa ihoa.

- Älä kosketa lisävarusteita heti käytön jälkeen, sillä ne saattavat olla erittäin kuumia ja polttaa ihoa.
- Noudata valmistajan ohjeita laikkojen ja lisävarusteiden oikeasta asennuksesta ja käytöstä. Virheellinen asennus ja käyttö voivat aiheuttaa henkilövahinkoja.
- Käsittele laikkoja varoen ja säilytä niitä huolella.
- Älä käytä erillisiä supistusholkkeja tai sovitimia isoaukkoisten hiomalaikkojen kiinnitykseen.
- Käytä ainoastaan tälle työkalulle tarkoitettuja laippoja.
- Kun käytät kierreireillä varustetuille laikoille tarkoitettua työkalua, varmista, että laikan kierteet vastaavat pituudeltaan karan pituutta.
- Varmista, että työkappale on tukevasti paikoillaan.
- Ota huomioon, että laikka jatkaa pyörimistään vielä sen jälkeen, kun virta on katkaistu.
- Jos työtila on erittäin kuuma ja kostea tai siinä esiintyy runsaasti sähköä johtavaa pölyä, varmista turvallisuus käyttämällä vikavirtakatkaisinta (30 mA).
- Älä hio tai leikkaa työkalulla mitään asbestia sisältäviä materiaaleja.
- Käytä katkaisulaikkaa käytettäessä aina paikallisten määräysten edellyttämää pölyä keräävää laikansuojusta.
- Katkaisulaikkaa ei saa painaa sivusuunnassa.
- Älä pidä kankaisia työkasineita käytön aikana. Kankaisista kasineista irtoavat kuidut voivat päätyä työkalun sisään ja vaurioittaa työkalua.
- Varmista ennen käyttöä, ettei työkappaleessa ole mitään upotuksia, kuten sähköjohtoja, vesiputkia tai kaasuputkia. Muutoin ne voivat aiheuttaa sähköiskuja, sähkövuoja tai kaasuvuotoja.
- Jos laikkaan on kiinnitetty keskiö, älä irrota sitä. Keskiön halkaisijan tulee olla suurempi kuin lukkomutteri, ulkolaippa ja sisälaippa.
- Tarkista ennen hiomalaikan asennusta, ettei laikan keskiössä ole vaurioita, esimerkiksi halkeamia tai lohkeamia.
- Kiristä lukkomutteri kunnolla. Laikan kiristämisen liikaa voi aiheuttaa rikkoutumisen, ja kiristämisen liian vähän voi aiheuttaa huojumista.

SÄILYTÄ NÄMÄ OHJEET.

VAROITUS: ÄLÄ anna työkalun helpokäyttöisyyden (toistuvan käytön aikaansaama) johtaa sinua väärään turvallisuuden tunteeseen niin, että laiminlyöt työkalun turvaohjeiden noudattamisen. **VÄÄRINKÄYTTÖ** tai tässä käyttöohjeessa ilmoitettujen turvamääräysten laiminlyönti voi aiheuttaa vakavia henkilövahinkoja.

Akkupakettia koskevia tärkeitä turvaohjeita

- Ennen akun käyttöönottoa tutustu kaikkiin laturissa (1), akussa (2) ja akkukäyttöisessä tuotteessa (3) oleviin varoitusteksteihin.
- Älä pura tai peukaloi imuria akkupakettia. Se voi johtaa tulipaloon, ylikuumentumiseen tai räjähdykseen.
- Jos akun toiminta-aika lyhenee merkittävästi, lopeta akun käyttö. Seurauksena voi olla ylikuumentuminen, palovammoja tai jopa räjähdys.
- Jos akkuneustettua pääsee silmiin, huuhtele puhtaalla vedellä ja hakeudu välittömästi lääkärin hoitoon. Akkuneuste voi aiheuttaa näön menetyksen.
- Älä oikosulje akku.
 - Älä koske akun napoihin millään sähköä johtavalla materiaalilla.
 - Vältä akun oikosulkemista äläkä säilytä akku yhdessä muiden metalliesineiden, kuten naulojen, kolikoiden ja niin edelleen kanssa.
 - Älä aseta akku alttiiksi vedelle tai sateelle.Oikosulku voi aiheuttaa virtapiikin, ylikuumentumista, palovammoja tai laitteen rikkoontumisen.
- Älä säilytä ja käytä työkalua ja akkupakettia paikassa, jossa lämpötila voi nousta 50 °C:een (122 °F) tai korkeammaksi.
- Älä hävitä akku polttamalla, vaikka se olisi pahoin vaurioitunut tai täysin loppuun kulunut. Avotuli voi aiheuttaa akun räjähtämisen.
- Älä naulaa, leikkaa, purista, heitä tai pudota akkupakettia tai iske sitä kovia esineitä vasten. Tällaiset toimet voivat johtaa tulipaloon, ylikuumentumiseen tai räjähdykseen.
- Älä käytä viallista akku.
- Sisältyviä litium-ioni-akkuja koskevat vaarallisten aineiden lainsäädännön vaatimukset. Esimerkiksi kolmansien osapuolten huolintaliikkeiden tulee kaupallisissa kuljetuksissa noudattaa pakkaamista ja merkintöjä koskevia erityisvaatimuksia. Lähetettävän tuotteen valmistelu edellyttää vaarallisten aineiden asiantuntijan neuvontaa. Huomioi myös mahdollisesti yksityiskohtaisemmat kansalliset määräykset Akun avoimet liittimet tulee suojata teipillä tai suojuksella ja pakkaaminen tulee tehdä niin, ettei akku voi liikkua pakkauksessa.
- Kun akkupaketti on hävitettävä, poista se laitteesta ja hävitä se turvallisesti. Hävitä akku paikallisten määräysten mukaisesti.
- Käytä akkuja vain Makitan ilmoittamien tuotteiden kanssa. Akkujen asentaminen yhteensopimattomiin tuotteisiin voi aiheuttaa tulipalon, liiallisen ylikuumentumisen, räjähdyksen tai akkuneustevuotoja.
- Jos laitetta ei käytetä pitkään aikaan, akku on poistettava laitteesta.
- Akkupaketin lämpötila voi käytön aikana ja

- sen jälkeen nousta niin kuumaksi, että se voi aiheuttaa palovammoja tai lieviä palovammoja. Käsittele kuumia akkupaketteja huolellisesti.
- Älä kosketa työkalun liitintä välittömästi käytön jälkeen, sillä se voi olla riittävän kuuma aiheuttamaan palovammoja.
 - Älä päästä lastuja, pölyä tai maata akkupaketin liittimiin, aukkoihin ja uriin. Se voi johtaa työkalun tai akkupaketin lämpenemiseen, syttymiseen, purkautumiseen tai toimintahäiriöön, mikä voi aiheuttaa palovammoja tai vammoja.
 - Ellei työkalu tue käyttöä korkeajännitelinjojen lähellä, älä käytä akkupakettia korkeajännitelinjojen lähellä. Se voi johtaa työkalun tai akkupaketin toimintahäiriöön tai rikkoutumiseen.
 - Pidä akku poissa lasten ulottuvilta.

SÄILYTÄ NÄMÄ OHJEET.

▲HUOMIO: Käytä vain alkuperäisiä Makita-akkuja. Muiden kuin aitojen Makita-akkujen, tai mahdollisesti muutettujen akkujen käyttö voi johtaa akun murtumiseen ja aiheuttaa tulipaloja, henkilö- ja omaisuusvahinkoja. Se mitätöi myös Makita-työkalun ja -laturin Makita-takuun.

Vihjeitä akun käyttöiän pidentämiseksi

- Lataa akku ennen kuin se purkautuu täysin. Lopeta aina työkalun käyttö ja lataa akku, jos huomaat työkalun tehon vähenevän.
- Älä koskaan lataa uudestaan täysin ladattua akkua. Ylilataaminen lyhentää akun käyttöikää.
- Lataa akku huoneen lämpötilassa välillä 10 °C - 40 °C. Anna kuuman akun jäähtyä ennen lataamista.
- Irrota akkupaketti työkalusta tai laturista, kun sitä ei käytetä.
- Lataa akkupaketti, jos et käytä sitä pitkään aikaan (yli kuusi kuukautta).

Langatonta yksikköä koskevat tärkeät turvallisuusohjeet

- Älä pura tai peukaloi langatonta yksikköä.
- Pidä langaton yksikkö lasten ulottumattomissa. Jos tuote niellään vahingossa, ota välittömästi yhteys lääkäriin.
- Käytä langatonta yksikköä vain Makitan työkalujen kanssa.
- Älä altista langatonta yksikköä sateelle tai kosteisiin olosuhteisiin.
- Älä käytä langatonta yksikköä paikassa, jossa lämpötila voi nousta yli 50 °C.
- Älä käytä langatonta yksikköä paikassa, jonka läheisyydessä on lääketieteellisiä instrumentteja, kuten sydämentahdistajia jne.
- Älä käytä langatonta yksikköä paikassa, jonka läheisyydessä on automatisoituja laitteita. Toiminnallisena automatisoidut laitteet voivat aiheuttaa käyttöhäiriöitä tai virheitä.
- Älä jätä langatonta yksikköä paikkaan, jonka lämpötila on suuri tai jossa voi muodostua staattista sähköä tai sähkökohinahäiriöitä.

- Langaton yksikkö voi muodostaa käyttäjälle vaarattomia sähkömagneettikenttiä (EMF).
- Langaton yksikkö on tarkkuuslaite. Varo kolhimasta tai pudottamasta langatonta yksikköä.
- Vältä koskettelemasta langattoman yksikön liitintä paljain käsin tai metallisilla materiaaleilla.
- Irrota akku laitteesta aina, kun laitteeseen asennetaan langaton yksikkö.
- Avattaessa uran kantta, vältä paikkoja missä pöly ja vesi voivat päästä uraan. Pidä aina uran aukko puhtaana.
- Aseta langaton yksikkö aina oikeassa suunnassa.
- Älä paina langattoman yksikön langatonta aktivointipainiketta liian kovaa ja/tai paina painiketta teräväreunaisilla kohteilla.
- Sulje aina uran kansi käytön aikana.
- Älä irrota langatonta yksikköä urasta laitteen virransyötön aikana. Muussa tapauksessa voi seurauksena olla langattoman yksikön käyttöhäiriöitä.
- Älä irrota langattoman yksikön tarraa.
- Älä kiinnitä mitään tarroja langattomaan yksikköön.
- Älä jätä langatonta yksikköä paikkaan, missä on staattista sähköä tai sähkökohinahäiriöitä voi muodostua.
- Älä jätä langatonta yksikköä äärimmäisiin lämpötiloihin, kuten auton istuimelle auringonpaisteeseen.
- Älä jätä langatonta yksikköä paikkaan, missä on pölyä tai jauheita tai syövyttäviä kaasuja voi muodostua.
- Äkillinen lämpötilan vaihtelu voi kostuttaa langattoman yksikön. Älä käytä langatonta yksikköä ennenkuin kaste on täysin kuivunut.
- Puhdista langaton yksikkö pyyhkimällä se kevyesti kiuvalla liinalla. Älä käytä puhdistamiseen bensiiniä, tinneriä, johtavaa rasvaa tai vastaavaa.
- Säilytä langatonta yksikköä mukana toimittussa kotelossa tai ei staattisessa säiliössä.
- Älä liitä muita, kuin Makitan langattomia yksiköitä laitteen uraan.
- Älä käytä laitetta uran kannen ollessa vaurioitunut. Uraan pääsevä vesi, pöly ja lika voivat aiheuttaa käyttöhäiriöitä.
- Älä vedä ja/tai väännä uran kantta enempää kuin on tarpeen. Aseta kansi takaisin jos se irtaoo laitteesta.
- Vaihda uran kansi sen ollessa kadonnut tai vaurioitunut.

SÄILYTÄ NÄMÄ OHJEET.

TOIMINTOJEN KUVAUS

▲HUOMIO: Varmista aina ennen säätöjä ja tarkastuksia, että työkalu on sammutettu ja akkupaketti irrotettu.

Akun asentaminen tai irrottaminen

⚠️HUOMIO: Sammuta työkalu aina ennen akun kiinnittämistä tai irrottamista.

⚠️HUOMIO: Pidä työkalusta ja akusta tiukasti kiinni, kun irrotat tai kiinnität akkua. Jos akkupaketti tai työkalu putoaa, ne voivat vaurioitua tai aiheuttaa tapaturman.

Akkupaketti asetetaan paikalleen sovittamalla akkupaketin kieleke rungon uraan ja työntämällä se sitten paikalleen. Työnnä se pohjaan asti niin, että kuulet sen napsahavan paikoilleen. Jos näet kuvan mukaisen punaisen ilmaisimen, lukitus ei ole täysin pitävä.

Irrota akku painamalla akun etupuolella olevaa painiketta ja vetämällä akku ulos työkalusta.

► **Kuva1:** 1. Punainen ilmaisin 2. Painike
3. Akkupaketti
















⚠️HUOMIO: Työnnä akkupaketti aina pohjaan asti, niin että punainen ilmaisin ei enää näy. Jos akkupaketti ei ole kunnolla paikallaan, se voi pudota työkalusta ja aiheuttaa vammoja joko sinulle tai sivullisille.

⚠️HUOMIO: Älä käytä voimaa akun asennuksessa. Jos akku ei liu'u paikalleen helposti, se on väärässä asennossa.

Akun jäljellä olevan varaustason ilmaisin

Painamalla tarkistuspainiketta saat näkyviin akun jäljellä olevan varaustason. Merkkivalot palavat muutaman sekunnin ajan.

► **Kuva2:** 1. Merkkivalot 2. Tarkistuspainike

Merkkivalot			Akussa jäljellä olevan varaustason
 Palaava	 Pois päältä	 Viilkkuu	
			75% - 100%
			50% - 75%
			25% - 50%
			0% - 25%
			Lataa akku.
			Akussa on saattanut olla toimintahäiriö.

HUOMAA: Ilmoitettu varaustaso voi erota hieman todellisesta varaustasosta sen mukaan, millaisissa oloissa ja missä lämpötilassa laitetta käytetään.

HUOMAA: Ensimmäinen (vasemmanpuoleisin) merkkivalo viilkkuu, kun akun suojausjärjestelmä on toiminnassa.

Työkalun/akun suojausjärjestelmä

Työkalu on varustettu työkalu/akun suojausjärjestelmällä. Tämä järjestelmä pidentää työkalun ja akun käyttöikää katkaisemalla automaattisesti moottorin virran. Työkalu pysähtyy automaattisesti kesken käytön, jos työkalussa tai akussa ilmenee jokin seuraavista tilanteista:

Ylikuormitussuoja

Kun työkalua/akkua käytetään tavalla, joka saa sen kuluttamaan epätavallisen suuren määrän virtaa, työkalu pysähtyy automaattisesti ilman mitään merkkivaloa tai ilmaisinta. Katkaise tässä tilanteessa työkalusta virta ja lopeta ylikuormitustilan aiheuttanut käyttö. Käynnistä sitten työkalu uudelleen kytkemällä siihen virta.

Ylikuumentumissuoja

Kun työkalu/akku ylikuumentuu, työkalu pysähtyy automaattisesti. Anna työkalun jäähtyä, ennen kuin kytket sen uudelleen päälle.

Ylipurkautumissuoja

Kun akun varaustaso on riittämätön, työkalu pysähtyy automaattisesti. Irrota silloin akku työkalusta ja lataa se.

Suojausjärjestelmän vapauttaminen

Jos suojausjärjestelmä aktivoituu toistuvasti, työkalu lukitaan.

Tässä tilassa työkalu ei käynnisty, vaikka sen virta katkaistaan ja kytketään. Voit vapauttaa suojausjärjestelmän seuraavasti: irrota akku, aseta se akkulaturiin ja odota, että se latautuu kokonaan.

Suojaus muilta haitallisilta tapahtumilta

Suojausjärjestelmä on suunniteltu suojaamaan työkalu myös muilta tapahtumilta, jotka voisivat vahingoittaa työkalua, ja pysäyttämään työkalu automaattisesti tällaisissa tapauksissa. Kun työkalu tai sen toiminta on pysähtynyt tilapäisesti tai se on pysähtynyt, poista pysäytyksen syyt seuraavien vaiheiden mukaisesti.

1. Varmista, että kaikki kytkimet ovat OFF-asennossa, ja käynnistä uudelleen kytkemällä työkalu uudelleen päälle.
2. Lataa akut tai vaihda ne ladattuihin akkuihin.
3. Anna työkalun ja akkujen jäähtyä.

Jos suojausjärjestelmän nollaaminen ei korjaa tilannetta, ota yhteys paikalliseen Makita-huoltoon.

Akselilukko

⚠️VAROITUS: Älä koskaan kytke akselilukkoa päälle karan pyöriessä. Se voi aiheuttaa vakavan vamman tai työkalun vaurioitumisen.

Kun kiinnität tai irrotat lisälaitteita, estä a pyörimästä painamalla lukitusta.

► **Kuva3:** 1. Akselilukko

Kytkimen käyttäminen

⚠️HUOMIO: Varmista ennen akun asentamista työkaluun, että kytkinvipu toimii oikein ja palautuu ”OFF”-asentoon, kun se vapautetaan.

⚠️HUOMIO: Käyttäjän turvallisuuden vuoksi työkalussa on lukituksen vapautusvipu, joka estää sen käynnistämisen vahingossa. ÄLÄ koskaan käytä työkalua, jos se käynnistyy pelkästään kytkinvipua painamalla ilman, että lukituksen vapautusvipua käytetään. Toimita työkalu valtuutettuun huoltoon korjattavaksi ENNEN KUIN jatkat sen käyttöä.

⚠️HUOMIO: Älä vedä kytkinvivusta voimakkaasti, ellei samalla paina lukituksen vapautusvipua. Kytkin voi rikkoutua.

⚠️HUOMIO: ÄLÄ koskaan teippaa tai ohita lukitusvipua.

Työkalussa on lukituksen vapautusvipu, joka estää kytkinvivun painamisen vahingossa. Käynnistä työkalu vetämällä lukituksen vapautusvipua itseesi päin ja vetämällä sitten kytkinvipua. Pysäytä työkalu vapauttamalla kytkinvipu.

► **Kuva4:** 1. Lukituksen vapautusvipu 2. Kytkinvipu

Nopeudensäätöpyörä

Laitteen pyörimisnopeutta voidaan muuttaa kiertämällä nopeudensäätöpyörää. Alapuolella olevassa taulukossa kuvataan säätöpyörän numerot ja vastaavat pyörimisnopeudet.

► **Kuva5:** 1. Nopeudensäätöpyörä

Numero	Nopeus
1	3 000 min ⁻¹
2	4 500 min ⁻¹
3	6 000 min ⁻¹
4	7 500 min ⁻¹
5	9 000 min ⁻¹

HUOMAUTUS: Jos laitetta käytetään jatkuvasti pitkään alhaisella nopeudella, moottori voi ylikuormittua ja aiheuttaa laitteen toimintahäiriön.

HUOMAUTUS: Säätöpyörää voi kääntää vain numeroon 5 saakka ja takaisin numeroon 1. Älä pakota sitä lukujen 5 tai 1 yli, sillä se voi rikkoa nopeuden säätötoiminnon.

Vahinkokäynnistyksen estotoiminto

Jos akku asennetaan paikalleen kytkimen ollessa ON-asennossa, työkalu ei käynnisty. Käynnistä työkalu kytkemällä kytkin pois päältä ja uudelleen päälle.

Aktiivinen jälkipotkun tunnistustekniikka

Työkalu tunnistaa sähköisesti tilanteet, joissa laikka tai lisälaitte voi olla vaarassa juuttua. Silloin työkalu sammuu automaattisesti ja estää akselin pyörimisen (se ei

estä takapotkua).

Voit käynnistää työkalun uudelleen sammuttamalla sen ensin, poistamalla syyn äkilliseen pyörimisnopeuden laskuun ja käynnistämällä työkalun.

Pehmeä käynnisty

Pehmeä käynnistystoiminto vaimentaa käynnistysnykäystä.

Sähköjarru

Vain malli GA027G / GA028G / GA029G

Mekaaninen jarru aktivoituu työkalun virran katkeamisen jälkeen.

Jarru ei toimi, jos virtalähteen virta katkaistaan, esimerkiksi jos akku irrotetaan vahingossa, mutta laitteen virtakytkin on päällä.

KOKOONPANO

⚠️HUOMIO: Varmista aina ennen säätöjä ja tarkastuksia, että työkalu on sammutettu ja akkupaketti irrotettu.

Sivukahvan asentaminen (kahva)

⚠️HUOMIO: Varmista aina ennen käyttöä, että sivukahva on tukevasti paikoillaan.

Kiinnitä sivukahva koneeseen kuvan osoittamalla tavalla.

► **Kuva6**

Laikan suojuksen asentaminen tai irrottaminen

⚠️VAROITUS: Jos käytössä on upotetulla navalla varustettu hiomalaikka, lamellilaikka, joustava laikka tai teräsharjalaikka, laikan suojuksen kiinnitettävä työkaluun niin, että suojuksen umpinainen puoli tulee aina käyttäjää kohti.

⚠️VAROITUS: Varmista, että lukitusvipu on jossakin laikan suojuksen rei'istä ja pitää laikan suojuksen varmasti paikallaan.

⚠️VAROITUS: Varmista hiomakatkaisu-/timanttilaikkaa käyttäessäsi, että käytät ainoastaan katkaisulaikoille tarkoitettua erikoislaikansuojusta.

Upotetulla navalla varustettu laikka, lamellilaikka, joustolaikka, teräsharjalaikka / hiova katkaisulaikka, timanttilaikka

1. Pidä lukitusvipu painettuna ja kiinnitä laikan suojuksen ulokkeet tulevat laakerikotelon lovien kohdalle.

► **Kuva7:** 1. Lukitusvipu 2. Lovi 3. Uloke

2. Paina lukitusvipua suuntaan A ja paina samalla

laikan suojus paikalleen pitämällä sitä painettuna kohdista B kuvan mukaisesti.

► **Kuva8:** 1. Laikan suojus 2. Reikä

HUOMAA: Paina laikan suojus suoraan alas. Muutoin laikan suojusta ei saa painettua täysin pohjaan asti.

3. Pidä lukitusvipu ja laikan suojus vaiheessa 2 kuvatussa asennossa, käännä laikan suojusta suuntaan C ja vaihda sitten laikan suojuksen kulma työn mukaiseen käyttäjää suojaavaan asentoon. Kohdista lukitusvipu johonkin laikan suojuksessa olevaan reikään ja lukitse laikan suojus sitten paikalleen vapauttamalla lukitusvipu.

► **Kuva9:** 1. Laikan suojus 2. Reikä

HUOMAA: Paina laikan suojus kokonaan pohjaan. Muutoin laikan suojusta ei saa kierrettyä.

Irrota laikan suojus päinvastaisessa järjestyksessä.

Katkaisulaikan pikakiinnitettävä suojus

Lisävaruste

HUOMAA: Katkaisutoimenpiteitä varten laikan suojuksen (hiomalaikka) kanssa voidaan käyttää katkaisulaikan pikakiinnitettävää suojusta.

Ei saatavilla kaikissa maissa.

► **Kuva10**

Upotetulla navalla varustetun laikan tai lamellilaikan asentaminen ja irrottaminen

Lisävaruste

VAROITUS: Jos käytössä on upotetulla navalla varustettu laikka tai lamellilaikka, laikan suojus on kiinnitettävä työkaluun niin, että suojuksen umpinainen puoli tulee aina käyttäjää kohti.

VAROITUS: Varmista, että sisälaipan asennusosa sopii upotetulla navalla varustetun laikan/lamellilaikan sisähalkaisijaan täydellisesti. Sisälaipan asentaminen väärälle puolelle saattaa aiheuttaa vaarallista tärinää.

Asenna sisälaippa karaan.

Varmista, että sisälaipan upotettu kohta on vasten karan alaosan suoraa osaa.

Sovita upotetulla navalla varustettu laikka/lamellilaikka sisälaippalle ja kierrä lukkomutteri karaan.

► **Kuva11:** 1. Lukkomutteri 2. Upotetulla navalla varustettu laikka 3. Sisälaippa 4. Asennusosa

Kiristä lukkomutteri painamalla akselilukkoa voimakkaasti niin, ettei kara pääse pyörimään, ja kiristä lukkomutteri sitten lukkomutteriavaimella myötäpäivään kääntämällä.

► **Kuva12:** 1. Lukkomutteriavain 2. Akselilukko

Laikka irrotetaan päinvastaisessa järjestyksessä.

Joustolaikan kiinnitys ja irrotus

Lisävaruste

VAROITUS: Käytä aina mukana toimitettua suojusta, kun joustolaikka on kiinni työkalussa. Laikka voi hajota käytössä, joten suojus vähentää henkilövahingon riskiä.

► **Kuva13:** 1. Lukkomutteri 2. Joustolaikka 3. Varatyyny 4. Sisälaippa

Noudata upotetulla navalla varustettua laikkaa koskevia ohjeita, mutta käytä lisäksi laikan päällä varatyynyä.

Hiomalaikan asentaminen tai irrottaminen

Lisävaruste

HUOMAA: Käytä vain tässä ohjekirjassa määritettyjä hiomakoneita. Ne on ostettava erikseen.

100 mm:n (4") malli

► **Kuva14:** 1. Hionnan lukkomutteri 2. Hiomalaikka 3. Kumityyny 4. Sisälaippa

1. Asenna sisälaippa karaan.
2. Asenna kumityyny karaan.
3. Sovita laikka kumitynyyn ja kiinnitä hiomalaikan lukkomutteri karaan.
4. Pidätä karaa akselilukolla ja kiristä hiomalaikan lukkomutteriä myötäpäivään lukkomutteriavaimella.

Irrota laikka päinvastaisessa järjestyksessä.

Muut mallit kuin 100 mm (4")

► **Kuva15:** 1. Hionnan lukkomutteri 2. Hiomalaikka 3. Kumityyny

1. Asenna kumityyny karaan.
2. Sovita laikka kumitynyyn ja kiinnitä hiomalaikan lukkomutteri karaan.
3. Pidätä karaa akselilukolla ja kiristä hiomalaikan lukkomutteriä myötäpäivään lukkomutteriavaimella.

Irrota laikka päinvastaisessa järjestyksessä.

Superlaippa

Lisävaruste

Superlaippa on erikoisvaruste mallille, jossa EI ole jarrutoimintoa.

F-kirjaimella merkityissä malleissa on vakiovarusteena superlaippa. Sen ansiosta lukkomutterin avaamiseen tarvitaan vain 1/3 tavallisen laipan edellyttämästä aukaisuvoimasta.

Ezynut-mutterin asennus tai irrotus

Lisävaruste

Vain työkaluille, joiden karan kierre on M14.

HUOMIO: Älä käytä Ezynut-mutteriä superlaipan kanssa. Nämä laipat ovat niin paksuja, että kara ei voi tukea koko kierrettä.

Kiinnitä sisälaippa, hiomalaikka ja Ezynut karaan niin, että Ezynutin Makita-logo näkyy ulospäin.

- **Kuva16:** 1. Ezynut 2. Hiomalaikka 3. Sisälaippa 4. Kara

Paina akselilukkoa tiukasti ja kiristä Ezynut kiertämällä hiomalaikkaa myötäpäivään niin pitkälle kuin se menee.

- **Kuva17:** 1. Akselilukko

Löysää Ezynut-mutteria kääntämällä Ezynutin ulkorengasta vastapäivään.

HUOMAA: Ezynut voidaan löysätä käsivoimin aina, kun nuoli on loven kohdalla. Muissa tapauksissa avaamiseen tarvitaan sakara-avainta. Sovita yksi avaimen sakara koloon ja kierrä Ezynutia vastapäivään.

- **Kuva18:** 1. Nuoli 2. Lovi

- **Kuva19**

Hiovan katkaisulaikan/timanttilaikan asentaminen

Lisävaruste

VAROITUS: Varmista hiomakatkaisu-/timanttilaikkaa käyttäessäsi, että käytät ainoastaan katkaisulaikoille tarkoitettua erikoislaikansuojusta.

VAROITUS: ÄLÄ KOSKAAN käytä katkoloikkaa sivun hiontaan.

- **Kuva20:** 1. Lukkomutteri 2. Hiova katkaisulaikka/timanttilaikka 3. Sisälaippa 4. Hiovan katkaisulaikan/timanttilaikan suojus

Noudata asennuksessa upotetulla navalla varustetun laikan ohjeita.

Sisälaiipan ja lukkomutterin kiinnityssuunta vaihtelee laikan tyyhin ja paksuuden mukaan.

Katso yksityiskohtia seuraavista kuvista.

100 mm:n (4") malli

Hiovan katkaisulaikan asennus:

- **Kuva21:** 1. Lukkomutteri 2. Hiova katkaisulaikka (ohuempi kuin 4 mm (5/32")) 3. Hiova katkaisulaikka (4 mm (5/32")) tai paksumpi) 4. Sisälaippa

Timanttilaikan asennus:

- **Kuva22:** 1. Lukkomutteri 2. Timanttilaikka (ohuempi kuin 4 mm (5/32")) 3. Timanttilaikka (4 mm (5/32")) tai paksumpi) 4. Sisälaippa

Muut mallit kuin 100 mm (4")

Hiovan katkaisulaikan asennus:

- **Kuva23:** 1. Lukkomutteri 2. Hiova katkaisulaikka (ohuempi kuin 4 mm (5/32")) 3. Hiova katkaisulaikka (4 mm (5/32")) tai paksumpi) 4. Sisälaippa

Timanttilaikan asennus:

- **Kuva24:** 1. Lukkomutteri 2. Timanttilaikka (ohuempi kuin 4 mm (5/32")) 3. Timanttilaikka (4 mm (5/32")) tai paksumpi) 4. Sisälaippa

Teräskuppiharjan asentaminen

Lisävaruste

HUOMIO: Älä käytä teräskuppiharjaa, jos se on vaurioitunut tai epätasapainossa. Vaurioituneen teräskuppiharjan käyttäminen voi aiheuttaa loukkaantumisvaaran harjan katkenneiden lankojen takia.

Aseta työkalu ylösalaisin, jotta karaan päästään helposti käsiksi.

Poista karassa mahdollisesti olevat lisävarusteet. Kierrä teräskuppiharja karaan ja kiristä se työkalun mukana toimitettavalla avaimella.

- **Kuva25:** 1. Teräskuppiharja

Teräsharjalaikan asentaminen

Lisävaruste

HUOMIO: Älä käytä teräsharjalaikkaa, jos se on vaurioitunut tai epätasapainossa. Vaurioituneen teräsharjalaikan käyttäminen voi aiheuttaa loukkaantumisvaaran katkenneiden harjasten takia.

HUOMIO: Käytä teräsharjalaikan kanssa AINA suojusta. Varmista, että laikka mahtuu suojuksen sisäpuolelle. Laikka voi hajota käytössä, joten suojuksen vähentää henkilövahingon riskiä.

Aseta työkalu ylösalaisin, jotta karaan päästään helposti käsiksi.

Poista karassa mahdollisesti olevat lisävarusteet.

Kiinnitä teräsharjalaikka karaan ja kiristä se avaimella.

- **Kuva26:** 1. Teräsharjalaikka

Reikäleikkurin asentaminen

Lisävaruste

Aseta työkalu ylösalaisin, jotta karaan päästään helposti käsiksi.

Poista karassa mahdollisesti olevat lisävarusteet. Kierrä reikäleikkuri karaan ja kiristä se toimitukseen kuuluvalla kiintoavaimella.

- **Kuva27:** 1. Reikäleikkuri

Pölyä keräävän laikan suojuksen asentaminen hiomista varten

Vain malli GA028G / GA029G / GA031G / GA032G

Lisävaruste

Tätä laitetta voi käyttää valinnaisten lisävarusteiden avulla betonipintojen tasohiontaan.

HUOMIO: Tärinää vaimentavan timanttilaikan pölyä keräävää suojusta käytetään vain betonipintojen tasohiontaan tärinää vaimentavalla timanttilaikalalla. Älä käytä suojusta muiden leikkuuvälineiden kanssa tai muuhun tarkoitukseen.

HUOMIO: Varmista ennen käyttöä, että pölynimuri on yhdistetty laitteeseen ja että se on käynnissä.

Aseta työkalu ylösalaisin ja asenna pölyä keräävä laikan suojuksen.

Asenna sisälaippa karaan.

Sovita timanttikuppilaikka sisälaipalle ja kierrä lukkomutteri karaan.

- **Kuva28:** 1. Lukkomutteri 2. Timanttikuppilaikka
3. Navallinen timanttikuppilaikka
4. Sisälaippa 5. Pölyä keräävä laikan suojuus 6. Laakeripesä

HUOMAA: Katso pölyä keräävän laikan suojuksen asennusohjeet sen käyttöohjeista.

Pölyä keräävän laikan suojuksen asentaminen leikkaamista varten

Lisävaruste

Tätä laitetta voidaan käyttää valinnaisten lisävarusteiden avulla kivimateriaalien leikkaamiseen.

- **Kuva29**

HUOMAA: Katso pölyä keräävän laikan suojuksen asennusohjeet sen käyttöohjeista.

Pölynimurin kytkeminen

Lisävaruste

VAROITUS: Älä koskaan imuroi hionnasta/sahauksesta/hiomisesta muodostuvia metallihiukkasia. Näiden toimintojen aikana muodostuvat metallihiukkaset ovat niin kuumia, että ne voivat syyttää pölynimurin sisäpuolella olevan pölyn ja suodattimen palamaan.

Kivimateriaalin sahaamisesta muodostuvan pölyisen ympäristön välttämiseksi, käytä pölyä keräävää laikan suojusta ja pölynimuria.

Katso pölyn keräävän laikan suojuksen käyttöohjeesta lisätietoja sen asentamisesta ja käytöstä.

- **Kuva30:** 1. Pölyä keräävä laikan suojuus
2. Pölynimurin letku

TYÖSKENTELY

VAROITUS: Älä koskaan pakota konetta. Koneen oma paino riittää. Pakottaminen ja liiallinen painaminen voi aiheuttaa vaarallisen laikan rikkoutumisen.

VAROITUS: Vaihda laikka AINA, jos kone pääsee putoamaan hionnan aikana.

VAROITUS: ÄLÄ KOSKAAN iske tai kolhi laikkaa työkalupaleeseen.

VAROITUS: Vältä laikan pomppimista ja jumittumista varsinkin silloin, kun työstät nurkkia, teräviä reunoja ja niin edelleen. Seurauksena voi olla hallinnan menetys ja takapotku.

VAROITUS: ÄLÄ KOSKAAN asenna koneeseen puun leikkaamiseen tarkoitettuja teriä tai muita sahanteriä. Kulmahiomakoneessa käytettynä nämä terät aiheuttavat usein takapotkun ja hallinnan menetyksen, jolloin seurauksena voi olla henkilövahinko.

HUOMIO: Älä koskaan käynnistä konetta, kun se koskettaa työkalupaleeseen, koska tämä voi aiheuttaa käyttäjälle vammoja.

HUOMIO: Käytä aina suojalaseja tai kasvosuojusta käytön aikana.

HUOMIO: Käytön jälkeen katkaise koneesta aina virta ja odota, kunnes laikka on täysin pysähtynyt ennen kuin lasket koneen käsistä.

HUOMIO: Ota työkalusta AINA tukeva ote toisen käden ollessa rungossa ja toisen käden ollessa sivukahvassa (kahva).

HUOMAA: Kaksitoimilaikkaa voidaan käyttää sekä hiomiseen että leikkaamiseen.

Katso ohjeita hiomisesta kohdasta "Hionta" ja leikkaamisesta kohdasta "Hiovan katkaisulaikan/timanttilaikan käyttäminen".

Hionta

- **Kuva31**

Käynnistä kone ja vie sitten laikka työkalupaleeseen. Pidä yleisesti laikkaa noin 15°:een kulmassa työkalupaleen pintaan nähden.

Kun ajat sisään uuttaa laikkaa, älä käytä hiomakonetta hioaksesi eteenpäin, koska tällöin laikka voi leikata työkalupaleeseen. Sitten kun laikan reuna on pyörästynyt käytössä, konetta voidaan käyttää sekä eteenpäin että taaksepäin.

Käyttöesimerkki: timanttikuppilaikan käyttäminen

- **Kuva32**

Pidä työkalu vaakasuorassa ja vie koko timanttikuppilaikka työkalupaleen pinnalle.

Hiovan katkaisulaikan/timanttilaikan käyttäminen

Lisävaruste

VAROITUS: Älä anna laikan juuttua kiinni tai työnnä sitä liiallisella voimalla. Älä yritä tehdä liian syvää uraa. Laikan liiallinen painaminen voi aiheuttaa laikan kiertymisen tai juuttumisen, takapotkun, laikan rikkoutumisen tai moottorin ylikuumentumisen.

VAROITUS: Älä aloita leikkaamista työkalu kiinni työstettävässä kappaleessa. Anna laikan saavuttaa täysi nopeus ja aseta se varovasti leikattavaan kohtaan työntämällä työkalua eteenpäin työstettävän kappaleen pinnan yli. Laikka saattaa juuttua, nousta ylös tai potkaista takaisin, jos työkalu käynnistetään kiinni työstettävässä kappaleessa.

VAROITUS: Leikkaustoiminnan aikana, älä koskaan vaihda laikan kulmaa. Jos sijoitat katkaisulaikkaa sivupuolelta (kuten hiomisen aikana), se voi aiheuttaa laikan murtumisen ja katkeamisen, mikä voi aiheuttaa henkilövamman.

VAROITUS: Timanttilaikkaa on pidettävä kohisuorassa leikattavaan materiaaliin nähden.

Käyttöesimerkki: hiovan katkaisulaikan käyttäminen
► Kuva33

Käyttöesimerkki: timanttilaikan käyttäminen
► Kuva34

Teräskuppiharjan käyttö

Lisävaruste

⚠HUOMIO: Tarkista teräskuppiharjan toiminta käyttämällä työkalua ilman kuormitusta. Varmista, ettei kukaan ole teräskuppiharjan edessä tai tiellä.

HUOMAUTUS: Vältä liiallista painamista, koska se voi aiheuttaa harjasten liiallista taipumista teräskuppiharjaa käytettäessä. Se voi aiheuttaa ennenaikaisen rikkoutumisen.

Käyttöesimerkki: teräskuppiharjan käyttäminen
► Kuva35

Teräsharjalaikan käyttäminen

Lisävaruste

⚠HUOMIO: Tarkista teräsharjalaikan toiminta käyttämällä työkalua ilman kuormitusta. Varmista, ettei kukaan ole teräsharjalaikan tiellä.

HUOMAUTUS: Vältä liiallista painamista, koska se voi aiheuttaa harjasten liiallista taipumista harjalaikkaa käytettäessä. Se voi aiheuttaa ennenaikaisen rikkoutumisen.

Käyttöesimerkki: teräsharjalaikan käyttäminen
► Kuva36

Reikäleikkurin käyttö

Lisävaruste

⚠HUOMIO: Tarkista reikäleikkurin toiminta käyttämällä työkalua ilman kuormitusta. Varmista, ettei kukaan ole reikäleikkurin edessä.

HUOMAUTUS: Älä kallista työkalua työkentelyn aikana. Se voi aiheuttaa ennenaikaisen rikkoutumisen.

Käyttöesimerkki: reikäleikkurin käyttäminen
► Kuva37

LANGATON AKTIVOINTITOIMINTO

Mitä langattomalla aktivointitoiminnolla voi tehdä

Langaton aktivointitoiminto mahdollistaa puhtaan ja miellyttävän käyttötoiminnan. Liittämällä tuettu pölynimuri laitteeseen, voit käyttää pölynimuria

automaattisesti yhdessä laitteen kytkintöiminnon kanssa.

► Kuva38

Langattoman aktivointitoiminnon käyttämiseksi valmi-tele seuraavat kohdat:

- Langaton yksikkö (lisävaruste)
- Pölynimuri, joka tulee langatonta aktivointitoimintoa

Langattoman aktivointitoiminnon asetuksen kuvaus on seuraavana. Katso jokaisen osion yksityiskohtaiset ohjeet.

1. Langattoman yksikön asennus
2. Laitteen rekisteröinti pölynimurille
3. Langattoman aktivointitoiminnon aloitus

Langattoman yksikön asennus

Lisävaruste

⚠HUOMIO: Aseta laite tasaisen ja vakaan pinnan päälle langattoman yksikön asentamiseksi.

HUOMAUTUS: Puhdista laitteesta pöly ja lika ennen langattoman yksikön asentamista. Pöly ja lika voivat aiheuttaa käyttöhäiriöitä päästessään langattoman yksikön uraan.

HUOMAUTUS: Staattisuudesta aiheutuvien käyttöhäiriöiden estämiseksi kosketa staattisesti purkautuvaa materiaalia, kuten laitteen metalliosia ennen langattoman yksikön nostamista.

HUOMAUTUS: Varmista aina langattoman yksikön asennuksen aikana, että langaton yksikkö on liitetty oikeassa suunnassa ja kansi on suljettu täysin kiinni.

1. Avaa laitteen kansi kuvan osoittamalla tavalla.
► Kuva39: 1. Kansi
2. Liitä langaton yksikkö uraan ja tämän jälkeen sulje kansi.

Langattoman yksikön liittämisen aikana kohdista kielekkeet uran loviosioihin.

- Kuva40: 1. Langaton yksikkö 2. Kieleke 3. Kansi 4. Loviosio

Avaa kansi hitaasti langattoman yksikön irrottamisen aikana. Kannen takana olevat koukut nostavat langattoman yksikön ylös samalla kun nostat kannen ylös.

- Kuva41: 1. Langaton yksikkö 2. Koukku 3. Kansi

Säilytä langatonta yksikköä mukana toimitetussa kotelossa tai ei staattisessa säiliössä sen irrottamisen jälkeen.

HUOMAUTUS: Käytä aina kannen takana olevia koukkuja langattoman yksikön irrottamisen aikana. Jos koukut eivät tartu langattomaan yksikköön, sulje kansi täysin kiinni ja avaa se hitaasti uudelleen.

Laitteen rekisteröinti pölynimurille

HUOMAA: Makita pölynimuri tukee langatonta aktivointitoimintoa, joka vaaditaan laiterekisteröintiä varten.

HUOMAA: Viimeistele langattoman yksikön asennus laitteeseen ennen laiterekisteröinnin aloittamista.

HUOMAA: Älä paina liipaisinkytkintä tai aseta pölynimurin virtakytkintä päälle laiterekisteröinnin aikana.

HUOMAA: Katso lisätietoja myös pölynimurin käyttöohjeesta.

Jos haluat aktivoida pölynimurin yhdessä laitteen kytkintöiminnon kanssa, viimeistele laiterekisteröinti ensin.

1. Asenna akut pölynimuriin ja laitteeseen.
2. Aseta pölynimurin valmiustilan kytkin asentoon "AUTO".

► **Kuva42:** 1. Valmiustilan kytkin

3. Paina pölynimurin langatonta aktivointipainiketta noin 3 sekunnin ajan, kunnes langattoman aktivoinnin merkkivalo vilkkuu vihreänä. Ja tämän jälkeen paina laitteen langatonta aktivointipainiketta samalla tavalla.

► **Kuva43:** 1. Langaton aktivointipainike
2. Langattoman aktivoinnin merkkivalo

Jos pölynimuri ja laite kytketään oikein, langattoman aktivoinnin merkkivalo palaa vihreänä 2 sekunnin ajan ja vilkkuu tämän jälkeen sinisenä.

HUOMAA: Langattoman aktivoinnin merkkivalo lopettaa vilkkumisen vihreänä 20 sekunnin kuluttua. Paina laitteen langatonta aktivointipainiketta samalla kun imurin langattoman aktivoinnin merkkivalo vilkkuu. Jos langattoman aktivoinnin merkkivalo ei vilku vihreänä, paina langatonta aktivointipainiketta lyhyesti ja pidä sitä painettuna alas.

HUOMAA: Suorittaessa kaksi tai useampaa laiterekisteröintiä yhdelle pölynimurille, lopeta laiterekisteröinti yksi kerrallaan.

Langattoman aktivointitoiminnon aloitus

HUOMAA: Viimeistele laiterekisteröinti pölynimurille ennen langatonta aktivointia.

HUOMAA: Katso lisätietoja myös pölynimurin käyttöohjeesta.

Kun laite on rekisteröity pölynimurille, pölynimuri toimii automaattisesti yhdessä laitteen kytkintöiminnon kanssa.

1. Langattoman yksikön asennus laitteeseen.
2. Kiinnitä pölynimurin letku laitteeseen.

► **Kuva44**

3. Aseta pölynimurin valmiustilan kytkin asentoon "AUTO".

► **Kuva45:** 1. Valmiustilan kytkin

4. Paina laitteen langatonta aktivointipainiketta lyhyesti. Langattoman aktivoinnin merkkivalo vilkkuu sinisenä.

► **Kuva46:** 1. Langaton aktivointipainike
2. Langattoman aktivoinnin merkkivalo

5. Kytke laite päälle. Tarkista, pyöriikö pölynimuri laitteen toimiessa.

Lopeta pölynimurin langaton aktivointi painamalla laitteen langatonta aktivointipainiketta.

HUOMAA: Laitteen langattoman aktivoinnin merkkivalo lopettaa vilkkumisen sinisenä, jos mitään toimintoa ei ole suoritettu 2 tunnin aikana. Tässä tapauksessa aseta pölynimurin valmiustilan kytkin asentoon "AUTO" ja paina uudelleen laitteen langatonta aktivointipainiketta.

HUOMAA: Pölynimuri käynnistyy/sammuu viiveellä. Käytössä on aikaviive kun pölynimuri tunnistaa laitteen kytkintöiminnon.

HUOMAA: Langattoman yksikön lähetysäisyyks voi vaihdella riippuen sijainnista ja ympäristön olosuhteista.








HUOMAA: Jos yhteen pölynimuriin on rekisteröity kaksi tai useampia laitteita, pölynimuri voi käynnistyä, vaikka laite ei ole päällä. Tämä johtuu siitä, että toinen henkilö käyttää langatonta aktivointitoimintoa.

Langattoman aktivoinnin merkkivalon tilan kuvaus

► **Kuva47:** 1. Langattoman aktivoinnin merkkivalo

Langattoman aktivoinnin merkkivalo osoittaa langattoman aktivointitoiminnon tilan. Katso merkkivalon tilaa koskeva tarkoitus alapuolella olevasta taulukosta.

Tila	Langattoman aktivoinnin merkkivalo			Kesto	Kuvaus
	Väri	<input type="checkbox"/> Päällä	<input type="checkbox"/> Vilkkuu		
Valmiustila	Sininen	<input checked="" type="checkbox"/>	<input type="checkbox"/>	2 tuntia	Pölynimurin langaton aktivointi on käytettävissä. Merkkivalo sammuu automaattisesti jos mitään toimintoa ei ole suoritettu 2 tunnin aikana.
		<input type="checkbox"/>	<input checked="" type="checkbox"/>	Kun laite on käynnissä.	Pölynimurin langaton aktivointi on käytettävissä ja laite on käynnissä.

Tila	Langattoman aktiivoinnin merkkivalo				Kuvaus
	Väri	 Päällä	 Vilkkuu	Kesto	
Laiterekisteröinti	Vihreä		20 sekuntia	Valmis laiterekisteröintiä varten. Odottaa rekisteröintiä pölynimurilta.	
			2 sekuntia	Laiterekisteröinti on valmis. Langattoman aktiivoinnin merkkivalo vilkkuu sinisenä.	
Laiterekisteröinnin peruutus	Punainen		20 sekuntia	Valmis laiterekisteröinnin peruutukseen. Odottaa peruutusta pölynimurilta.	
			2 sekuntia	Laiterekisteröinnin peruutus on valmis. Langattoman aktiivoinnin merkkivalo vilkkuu sinisenä.	
Muut	Punainen		3 sekuntia	Langattomalle yksikölle syötetään virtaa ja langaton aktiivointitoiminto käynnistyy.	
	Pois päältä	-	-	Pölynimurin langaton aktiivointi on pysäytetty.	

Laiterekisteröinnin peruutus pölynimurille

Suorita seuraavat toimenpiteet peruuttaessasi laiterekisteröinnin pölynimurille.

- Asenna akut pölynimuriin ja laitteeseen.
- Aseta pölynimurin valmiustilan kytkin asentoon "AUTO".

► **Kuva48:** 1. Valmiustilan kytkin

- Paina pölynimurin langatonta aktiivointipainiketta 6 sekunnin ajan. Langattoman aktiivoinnin merkkivalo vilkkuu vihreänä ja tämän jälkeen punaisena. Tämän jälkeen paina laitteen langatonta aktiivointipainiketta

samalla tavalla.

- **Kuva49:** 1. Langaton aktiivointipainike
2. Langattoman aktiivoinnin merkkivalo

Jos peruutus suoritetaan oikein, langattoman aktiivoinnin merkkivalo palaa punaisena 2 sekunnin ajan ja vilkkuu tämän jälkeen sinisenä.

HUOMAA: Langattoman aktiivoinnin merkkivalo lopettaa vilkkumisen punaisena 20 sekunnin kuluttua. Paina laitteen langatonta aktiivointipainiketta samalla kun imurin langattoman aktiivoinnin merkkivalo vilkkuu. Jos langattoman aktiivoinnin merkkivalo ei vilku punaisena, paina langatonta aktiivointipainiketta lyhyesti ja pidä sitä painettuna alas.

Langattoman aktiivointitoiminnon vianetsintä

Tarkista laite ensin itse, ennen kuin viet sen korjattavaksi. Jos ongelmaan ei löydy ratkaisua käyttöoppaasta, älä kuitenkaan yritä purkaa työkalua osiin. Ota sen sijaan yhteyttä Makita-huoltoliikkeeseen. Käytä korjaamiseen aina alkuperäisiä Makita-varaosia.

Epänormaali tila	Todennäköinen syy (toimintahäiriö)	Korjaus
Langattoman aktiivoinnin merkkivalo ei pala/vilkku.	Langatonta yksikköä ei ole asennettu laitteeseen. Langaton yksikkö on asennettu virheellisesti laitteeseen.	Asenna langaton yksikkö oikein.
	Langattoman yksikön liitäntä ja/tai ura on likainen.	Pyyhi langattoman yksikön liitäntä varovaisesti pölystä ja liasta ja puhdista ura.
	Laitteen langatonta aktiivointipainiketta ei ole painettu.	Paina laitteen langatonta aktiivointipainiketta lyhyesti.
	Pölynimurin valmiustilan kytkintä ei ole asetettu asentoon "AUTO".	Aseta pölynimurin valmiustilan kytkin asentoon "AUTO".
	Ei virransyöttöä	Syötä virtaa laitteelle ja pölynimurille.

Epänormaali tila	Todennäköinen syy (toimintahäiriö)	Korjaus
Laiterekisteröintiä/laiterekisteröinnin perutusta ei voi viimeistellä oikein.	Langatonta yksikköä ei ole asennettu laitteeseen. Langaton yksikkö on asennettu virheellisesti laitteeseen.	Asenna langaton yksikkö oikein.
	Langattoman yksikön liitäntä ja/tai ura on likainen.	Pyyhi langattoman yksikön liitäntä varovaisesti pölystä ja liasta ja puhdista ura.
	Pölynimurin valmiustilan kytkintä ei ole asetettu asentoon "AUTO".	Aseta pölynimurin valmiustilan kytkin asentoon "AUTO".
	Ei virransyöttöä	Syötä virtaa laitteelle ja pölynimurille.
	Virheellinen toiminta	Paina langatonta aktivointipainiketta lyhyesti ja suorita laiterekisteröinti/peruutus uudelleen.
	Laite ja pölynimuri ovat kaukana toisistaan (lähetyalueen ulkopuolella).	Siirrä laite ja pölynimuri lähemmäksi toisiaan. Maksimilähetyetäisyys on noin 10 m, mutta se voi kuitenkin vaihdella olosuhteista riippuen.
	Ennen laitteen rekisteröimistä/peruutusta: - laitteen kytkin on päällä, tai; - pölynimurin virtakytkin on päällä.	Paina langatonta aktivointipainiketta lyhyesti ja suorita laiterekisteröinti/peruutus uudelleen.
	Laiterekisteröintiä laitteelle tai pölynimurille ei ole viimeistely.	Suorita laiterekisteröinti sekä laitteelle että pölynimurille samanaikaisesti.
	Muiden laitteiden aiheuttama radiohäiriö voi muodostaa erittäin voimakkaita radioaaltoja.	Pidä laite ja pölynimuri kaukana laitteista, kuten Wi-Fi-laitteet ja mikroaaltouunit.
Pölynimuri ei toimi yhdessä laitteen kytkintöiminnon kanssa.	Langatonta yksikköä ei ole asennettu laitteeseen. Langaton yksikkö on asennettu virheellisesti laitteeseen.	Asenna langaton yksikkö oikein.
	Langattoman yksikön liitäntä ja/tai ura on likainen.	Pyyhi langattoman yksikön liitäntä varovaisesti pölystä ja liasta ja puhdista ura.
	Laitteen langatonta aktivointipainiketta ei ole painettu.	Paina langatonta aktivointipainiketta lyhyesti ja varmista, että langattoman aktivoinnin merkivalo vilkkuu sinisenä.
	Pölynimurin valmiustilan kytkintä ei ole asetettu asentoon "AUTO".	Aseta pölynimurin valmiustilan kytkin asentoon "AUTO".
	Yli 10 laitetta on rekisteröity pölynimurille.	Suorita laiterekisteröinti uudelleen. Jos yli 10 laitetta on rekisteröity pölynimurille, aikaisemmin rekisteröity laite peruutetaan automaattisesti.
	Pölynimuri poistaa kaikki laiterekisteröinnit.	Suorita laiterekisteröinti uudelleen.
	Ei virransyöttöä	Syötä virtaa laitteelle ja pölynimurille.
	Laite ja pölynimuri ovat kaukana toisistaan (lähetyalueen ulkopuolella).	Siirrä laite ja pölynimuri lähemmäksi toisiaan. Maksimilähetyetäisyys on noin 10 m, mutta se voi kuitenkin vaihdella olosuhteista riippuen.
	Muiden laitteiden aiheuttama radiohäiriö voi muodostaa erittäin voimakkaita radioaaltoja.	Pidä laite ja pölynimuri kaukana laitteista, kuten Wi-Fi-laitteet ja mikroaaltouunit.
Pölynimuri pyörii, vaikka laite ei toimi.	Muut käyttäjät käyttävät pölynimurin langatonta aktivointia heidän laitteillaan.	Katkaise muiden laitteiden langaton aktivointipainike tai peruuta muiden laitteiden laiterekisteröinti.

KUNNOSSAPITO

⚠HUOMIO: Varmista aina ennen tarkastusta tai huoltoa, että työkalu on sammutettu ja akku irrotettu.

HUOMAUTUS: Älä koskaan käytä bensiiniä, ohenteita, alkoholia tai tms. aineita. Muutoin pinta voi halkeilla tai sen värit ja muoto voivat muuttua. Muutoin laitteeseen voi tulla värjäytyymiä, muodon vääristymiä tai halkeamia.

Tuotteen TURVALLISUUDEN ja LUOTETTAVUUDEN takaamiseksi korjaukset, muut huoltotyöt ja säädöt on teetettävä Makitan valtuutetussa huoltopisteessä Makitan varaosia käyttäen.

Ilma-aukkojen puhdistaminen

Kone ja sen ilma-aukot on pidettävä puhtaina. Puhdista koneen ilma-aukot säännöllisesti tai aina kun ne alkavat tukkeutua.

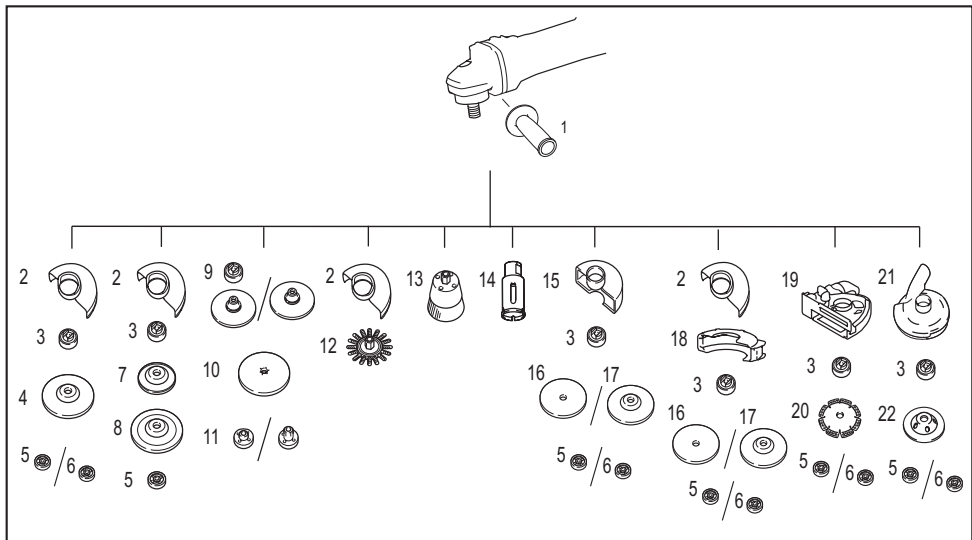
► **Kuva50:** 1. Ilman poistoaukko 2. Ilman tuloaukko
Varmista ilman tasainen kierto irrottamalla pölysuojus

HUOMAUTUS: Puhdista pölysuojus, jos se on vierasaineiden tukkima. Työn jatkaminen tukkeutunutta pölysuojusta käyttäen voi vaurioittaa työkalua.

SOVELLUSTEN JA LISÄVARUSTEIDEN YHDISTELMÄ

Lisävaruste

- ▲HUOMIO:** Työkalun käyttäminen virheellisten suojusten kanssa voi aiheuttaa seuraavia riskejä.
- Jos käytetään katkaisulaikan suojusta pintahiontaan, laikan suojus saattaa koskettaa työkalupäätä ja haitata hallintaa.
 - Jos käytetään hiomalaikan suojusta katkaisemiseen hiomalaikoilla ja timanttilaikoilla, on suurempi vaara altistua pyöriville laikoille, syntyville kipinöille ja hiukkasille sekä laikan pirstaleille, jos se rikkoutuu.
 - Jos käytetään katkaisulaikan suojusta tai hiomalaikan suojusta pintahiontaan timanttikuppilaikoilla, laikan suojus saattaa koskettaa työkalupäätä ja haitata hallintaa.
 - Jos käytetään katkaisulaikan suojusta tai hiomalaikan suojusta lankaharjalaikan kanssa, jonka pak-suus on suurempi kuin teknisissä tiedoissa määritetty, langat saattavat tarttua suojukseen ja katketa.
 - Pölyä keräävien laikan suojusten käyttäminen betonin tai kiven leikkaamiseen ja pintakäsittelyyn pienentää pölylle altistumisen riskiä.
 - Jos käytetään kaksikäyttöisiä (yhdistetty hionta ja katkaisu) laippakiinnitteisiä laikkoja, käytä vain katkaisulaikan suojusta.



	Käyttö	100 mm:n malli	115 mm:n malli	125 mm:n malli
1	-	Sivukahva		
2	-	Laikan suojus (hiomalaikalle)		
3	-	Sisälaippa	Sisälaippa/superlaippa *1*2	
4	Hionta	Upotetulla navalla varustettu laikka / lamellilaikka		
5	-	Lukkomutteri		
6	-	-	Ezzynt-mutteri *1*3	
7	-	Varatyyny		
8	Hionta	Joustolaikka		
9	-	Sisempi laippa ja kumityyny 76	Kumityyny 100	Kumityyny 115

-	Käyttö	100 mm:n malli	115 mm:n malli	125 mm:n malli
10	Hionta		Hiomalaikka	
11	-		Hionnan lukkomutteri	
12	Teräsharjauus		Teräsharjalaikka	
13	Teräsharjauus		Teräskuppiharja	
14	Reiän leikkaus		Reikäleikkuri	
15	-		Laikan suojus (katkaisulaipalle)	
16	Leikkaaminen		Hiova katkaisulaikka / timanttilaikka	
17	Hionta/leikkaaminen		Kaksoiskäyttölaikka	
18	-		Katkaisulaikan pikakiinnitettävä suojus *4	
19	-		Pölyä keräävä laikan suojus leikkaamista varten *5	
20	Leikkaaminen		Timanttilaikka	
21	-	-	Pölyä keräävä laikan suojus hiomakäyttöön *6	
22	Hionta	-	Timanttikuppilaikka *6	
-	-		Lukkomutteriavain	

HUOMAA: *1 Älä käytä superlaippaa ja Ezynut-mutteria yhdessä.

HUOMAA: *2 Älä käytä superlaippaa jarrullisessa laitteessa.

HUOMAA: *3 Vain työkaluille, joiden karan kierre on M14.

HUOMAA: *4 Katkaisulaikan klipsisuojusta ei ole saatavana eräissä maissa. Katso lisätietoja katkaisulaikan klipsisuojuksen käyttöoppaasta.

HUOMAA: *5 Katso lisätietoja suojuksen käyttöohjeesta.

HUOMAA: *6 Vain malli GA028G / GA029G / GA031G / GA032G

Katso lisätietoja suojuksen käyttöohjeesta.

LISÄVARUSTEET

⚠HUOMIO: Seuraavia lisävarusteita tai laitteita suositellaan käytettäväksi tässä ohjeessa kuvatun Makita-työkalun kanssa. Muiden lisävarusteiden tai laitteiden käyttö voi aiheuttaa henkilövahinkoja. Käytä lisävarusteita ja -laitteita vain niiden käyttötarkoituksen mukaisesti.

Jos tarvitset apua tai yksityiskohtaisempia tietoja seuraavista lisävarusteista, ota yhteys paikalliseen Makitan huoltoon.

- Aito Makitan akku ja laturi
- SOVELLUSTEN JA LISÄVARUSTEIDEN YHDISTELMÄ -kohdassa luetellut lisävarusteet
- Langaton yksikkö (langattomalla aktivointitoiminnolla varustetut mallit)

HUOMAA: Jotkin luettelossa mainitut varusteet voivat sisältyä työkalun toimitukseen vakiovarusteina. Ne voivat vaihdella maittain.

SPECIFIKATIONER

Model:		GA027G	GA028G	GA029G	GA030G	GA031G	GA032G
Anvendelig slibeskive	Maks. diameter af skiven	100 mm	115 mm	125 mm	100 mm	115 mm	125 mm
	Maks. skivetykkelse	6,4 mm	7,2 mm	6,4 mm	7,2 mm		
Anvendelig afskæringsskive	Maks. diameter af skiven	105 mm	115 mm	125 mm	105 mm	115 mm	125 mm
	Maks. skivetykkelse	3,2 mm					
Anvendelig trådskivebørste	Maks. diameter af skiven	100 mm	115 mm	125 mm	100 mm	115 mm	125 mm
	Maks. skivetykkelse	20 mm					
Spindelgevind		M10	M14 eller 5/8" (landespecifik)	M10	M14 eller 5/8" (landespecifik)		
Maks. spindellængde		18 mm	23 mm	18 mm	23 mm		
Hastighed uden belastning (n _c) / Mærkehastighed (n)		9.000 min ⁻¹					
Samlet længde	med BL4025	413 mm					
	med BL4040	425 mm					
Nettovægt		2,8 - 5,2 kg	3,0 - 5,4 kg	2,8 - 5,2 kg	2,9 - 5,3 kg		
Mærkespænding		D.C. 36 V - 40 V maks.					

- På grund af vores kontinuerlige forsknings- og udviklingsprogrammer kan hosstående specifikationer blive ændret uden varsel.
- Specifikationer kan variere fra land til land.
- Vægten kan være anderledes afhængigt af tilbehøret/tilbehørene, inklusive akkuen. Den letteste og tungeste kombination er vist i tabellen.

Anvendelig akku og oplader

Akku	BL4020 / BL4025* / BL4040* / BL4040F* / BL4050F* / BL4080F* *: Anbefalet batteri
Oplader	DC40RA / DC40RB / DC40RC / DC40WA / BCC01 / BCC02

- Nogle af de akkuer og opladere, der er angivet ovenfor, er muligvis ikke tilgængelige, afhængigt af hvilket område du bor i.

⚠ ADVARSEL: Brug kun de akkuer og opladere, der er angivet ovenfor. Brug af andre akkuer og opladere kan medføre personskade og/eller brand.

Anbefalet ledningstilsluttet strømforsyningskilde

Bærbart strømforsyning	PDC01 / PDC1200 / PDC1500
------------------------	---------------------------

- Den eller de ovenfor anførte ledningstilsluttede strømforsyningskilder er muligvis ikke tilgængelige, afhængigt af hvilket område du bor i.
- Inden du bruger den ledningstilsluttede strømforsyningskilde, skal du læse instruktionen og advarselmærkerne på dem.

Symboler

Følgende viser de symboler, der muligvis anvendes til udstyret. Sørg for, at du forstår deres betydning før brugen.



Læs brugsanvisningen.



Brug beskyttelsesbriller.



Betjen altid med to hænder.



Brug ikke beskyttelseskærmen til afskæring.





Kun for lande inden for EU
 På grund af tilstedeværelsen af farlige komponenter i udstyret kan affald af elektrisk og elektronisk udstyr, akkumulatører og batterier have en negativ indvirkning på miljøet og folkesundheden.
 Bortskaf ikke elektriske og elektroniske apparater eller batterier sammen med husholdningsaffald!
 I overensstemmelse med EF-direktiv om affaldshåndtering af elektrisk og elektronisk udstyr og om akkumulatører og batterier og affaldsakkumulatører og -batterier, og i overensstemmelse med national lovgivning, skal brugt elektrisk udstyr, batterier og akkumulatører opbevares separat og leveres til et separat indsamlingssted for kommunalt affald, der er etableret i henhold til bestemmelserne om miljøbeskyttelse. Dette er angivet ved symbolet på den krydsede skraldespand, der er placeret på udstyret.

Tilsigtet anvendelse

Denne maskine er beregnet til afslibning, sandslibning, trådbørstning, hullskæring og skæring i metal- og stenmaterialer uden anvendelse af vand.

Støj

Det typiske A-vægtede støjniveau bestemt i overensstemmelse med EN62841-2-3:

Model	Lydtrykniveau (L_{pA}): (dB (A))	Lydeffektniveau (L_{WA}): (dB (A))	Usikkerhed (K): (dB (A))
GA027G	84	92	3
GA028G	84	92	3
GA029G	85	93	3
GA030G	84	92	3
GA031G	84	92	3
GA032G	85	93	3

BEMÆRK: De(n) angivne støjemissionsværdi(er) er målt i overensstemmelse med en standardtestmetode og kan anvendes til at sammenligne en maskine med en anden.

BEMÆRK: De(n) angivne støjemissionsværdi(er) kan også anvendes i en præliminær eksponeringsvurdering.

⚠ ADVARSEL: Bær høreværn.

⚠ ADVARSEL: Støjemissionen under den faktiske anvendelse af maskinen kan være forskellig fra de(n) angivne værdi(er), afhængigt af den måde hvorpå maskinen anvendes, især den type arbejdsemne der behandles.

⚠ ADVARSEL: Sørg for at identificere de sikkerhedsforskrifter til beskyttelse af operatøren, som er baseret på en vurdering af eksponering under de faktiske brugsforhold (med hensyntagen til alle dele i brugscyklussen, f.eks. de gange, hvor maskinen er slukket, og når den kører i tomgang i tilgift til afbrydertiden).

⚠ ADVARSEL: Slibning af tynde metalplader eller andre nemt vibrerende strukturer med en stor overflade kan resultere i en samlet støjemission, som er meget højere (op til 15 dB) end de angivne støjemissionsværdier.

Placer tunge fleksible dæmpende måtter eller lignende på disse arbejdsemner for at forhindre dem i at udsende lyd.

Tag den forøgede støjemission med i overvejselen for både risikovurderingen for udsættelse af støj og valg af passende høreværn.

Vibration

Vibrationens totalværdi (tre-aksial vektorsum) bestemt i overensstemmelse med EN62841-2-3:

Funktionstilstand: overfladeslibning med normalt sidehåndtag

Model	Vibrationsafgivelse ($a_{hv, AG}$): (m/s^2)	Usikkerhed (K): (m/s^2)
GA027G	4,5	1,5
GA028G	5,0	1,5

Model	Vibrationsafgivelse ($a_{hv, AG}$): (m/s ²)	Usikkerhed (K): (m/s ²)
GA029G	6,0	1,5
GA030G	4,5	1,5
GA031G	5,0	1,5
GA032G	6,0	1,5

Funktionstilstand: overfladeslibning med anti-vibrations-sidehåndtag

Model	Vibrationsafgivelse ($a_{hv, AG}$): (m/s ²)	Usikkerhed (K): (m/s ²)
GA027G	4,5	1,5
GA028G	5,0	1,5
GA029G	6,5	1,5
GA030G	4,5	1,5
GA031G	5,0	1,5
GA032G	6,5	1,5

Funktionstilstand: disksandslibning med normalt sidehåndtag

Model	Vibrationsemission ($a_{hv, DS}$): (m/s ²)	Usikkerhed (K): (m/s ²)
GA027G	2,5 m/s ² eller mindre	1,5
GA028G	2,5	1,5
GA029G	3,0	1,5
GA030G	2,5 m/s ² eller mindre	1,5
GA031G	2,5	1,5
GA032G	3,0	1,5

Funktionstilstand: disksandslibning med anti-vibrations-sidehåndtag

Model	Vibrationsemission ($a_{hv, DS}$): (m/s ²)	Usikkerhed (K): (m/s ²)
GA027G	2,5 m/s ² eller mindre	1,5
GA028G	2,5	1,5
GA029G	3,0	1,5
GA030G	2,5 m/s ² eller mindre	1,5
GA031G	2,5	1,5
GA032G	3,0	1,5

BEMÆRK: De(n) angivne totalværdi(er) for vibration er målt i overensstemmelse med en standardtestmetode og kan anvendes til at sammenligne en maskine med en anden.

BEMÆRK: De(n) angivne totalværdi(er) for vibration kan også anvendes i en præliminær eksponeringsvurdering.

⚠ ADVARSEL: Vibrationsemissionen under den faktiske anvendelse af maskinen kan være forskellig fra de(n) angivne værdi(er), afhængigt af den måde hvorpå maskinen anvendes, især den type arbejdsemne der behandles.

⚠ ADVARSEL: Sørg for at identificere de sikkerhedsforskrifter til beskyttelse af operatøren, som er baseret på en vurdering af eksponering under de faktiske brugsforhold (med hensyntagen til alle dele i brugscyklussen, f.eks. de gange, hvor maskinen er slukket, og når den kører i tomgang i tilgift til afbrydertiden).

⚠ ADVARSEL: Den erklærede værdi for vibrationsemission gælder for el-værktøjets primære anvendelser. Hvis el-værktøjet imidlertid anvendes til andre formål, kan værdien for vibrationsemission være anderledes.

Overensstemmelseserklæringer

Kun for lande i Europa

Overensstemmelseserklæringerne er inkluderet i Bilag A i denne brugsanvisning.

SIKKERHEDSAD- VARSLER

Almindelige sikkerhedsregler for el-værktøj

ADVARSEL Læs alle sikkerhedsadvarsler, instruktioner, illustrationer og specifikationer, der følger med denne maskine. Hvis du ikke følger alle nedenstående instruktioner, kan det medføre elektrisk stød, brand og/eller alvorlig personskade.

Gem alle advarsler og instruktioner til fremtidig reference.

Ordet "el-værktøj" i advarslerne henviser til det netforsynde (netledning) el-værktøj eller batteriforsynde (akku) el-værktøj.

Sikkerhedsadvarsler for ledningsfri sliber

Almindelige sikkerhedsadvarsler for anvendelser med slibning, sandslibning, trådbørstning eller afskæring:

1. Denne maskine er beregnet til at fungere som en sliber, slibemaskine med sandpapir, trådbørste, hulskærer eller afskæringsværktøj. Læs alle de sikkerhedsadvarsler, instruktioner, illustrationer og specifikationer, der følger med denne maskine. Manglende overholdelse af alle nedenstående instruktioner kan medføre elektrisk stød, brand og/eller alvorlig personskade.
2. Der må ikke udføres handlinger som polering med denne maskine. Handlinger, som maskinen ikke er designet til, kan medføre fare og forårsage personskade.
3. Omdan ikke denne maskine til at fungere på en måde, der ikke er specielt designet og angivet af maskinproducenten. Sådant en omdannelse kan muligvis resultere i tab af kontrol og forårsage alvorlig personskade.
4. Anvend ikke tilbehør, der ikke er specielt designet og angivet af maskinproducenten. Bare fordi tilbehøret kan monteres på din maskine, garanterer det ikke sikker drift.
5. Tilbehørets mærkehastighed skal mindst svare til den maksimale hastighed, der er angivet på maskinen. Tilbehør, der kører hurtigere end deres mærkehastighed, kan gå i stykker og slynges bort.
6. Den udvendige diameter og tykkelsen på dit tilbehør skal ligge inden for maskinens kapacitetsklassificering. Tilbehør med forkert størrelse kan ikke beskyttes eller kontrolleres tilstrækkeligt.
7. Målene for tilbehørsmonteringen skal passe til målene for monteringsdelen på maskinen. Tilbehør, der ikke passer til maskinens monteringsdele, vil miste balancen, vibrere for meget og kan medføre tab af kontrol.
8. Anvend ikke et beskadiget tilbehør. Før hver anvendelse undersøges tilbehøret, såsom slibeskiver for skår og revner, bagtallerken for revner, rift eller overdreven slitage, trådbørste

for løse eller knækkede tråde. Hvis maskinen eller tilbehøret tabes, skal du undersøge, om det er beskadiget, eller montere et ubeskadiget tilbehør. Efter inspektion og montering af tilbehør, skal du og omkringstående stå på god afstand af det roterende tilbehørs flade, og maskinen skal køres på højeste, ubelastede hastighed i et minut. Beskadiget tilbehør vil normalt gå i stykker i løbet af denne testperiode.

9. Bær personligt beskyttelsesudstyr. Afhængigt af anvendelsen skal der anvendes en ansigts-skærm, beskyttelsesbriller eller sikkerhedsbriller. Bær eventuelt støvmaske, hørevern, handsker og værkstedsforklæde, der kan stoppe små slibedele eller fragmenter af arbejdsemnet. Øjenværnet skal kunne standse flyvende snavs, der opstår ved forskellige anvendelser. Støvmasken eller åndedrætsværnet skal kunne filtrere partikler, der opstår under den særlige anvendelse. Langvarig eksponering for støj med høj intensitet kan medføre høretab.
10. Hold tilskuere i sikker afstand fra arbejdsområdet. Alle, der kommer ind i arbejdsområdet, skal anvende personligt beskyttelsesudstyr. Fragmenter af arbejdsemnet eller af et ødelagt tilbehør kan blive slynget væk og forårsage personskade uden for det umiddelbare arbejdsområde.
11. Hold kun maskinen ved hjælp af de isolerede gribeblade, når du udfører en handling, hvor skæreværktøjet kan komme i kontakt med skjulte ledninger. Kontakt med en "strømførende" ledning vil også gøre maskinens eksponerede metaldele "strømførende" og kan give operatøren et elektrisk stød.
12. Læg aldrig maskinen ned, før tilbehøret er stoppet helt. Det roterende tilbehør kan gribe fat i overfladen og trække maskinen ud af din kontrol.
13. Lad ikke maskinen køre, mens du bærer den ved din side. Utilsigtet kontakt med det roterende tilbehør kan få fat i dit tøj og trække tilbehøret ind mod kroppen.
14. Rengør maskinværktøjets ventilationsåbninger med jævne mellemrum. Motorens ventilator trækker støvet ind i huset, og overdreven ophobning af pulveriseret metal kan forårsage elektriske farer.
15. Brug ikke maskinværktøjet i nærheden af brændbare materialer. Gnister kan antænde disse materialer.
16. Anvend ikke tilbehør, der kræver flydende kølemidler. Anvendelse af vand eller andre flydende kølemidler kan medføre elektrisk aflivning eller stød.

Tilbageslag og relaterede advarsler:

Tilbageslag er en pludselig reaktion på en fastklemt eller blokeret roterende skive, bagtallerken, børste eller andet tilbehør. En fastklemt eller blokeret del forårsager hurtig standsning af det roterende tilbehør, som derved bliver årsag til, at det ukontrollerede maskinværktøj bliver tvunget i den modsatte retning af tilbehørets rotation ved punktet for bindingen.

Hvis for eksempel en slibeskive er blokeret eller fastklemt af arbejdsemnet, kan kanten på skiven, som går ind i fastklemningspunktet, grave sig ind i materialets overflade og derved bevirke, at skiven kommer ud eller presses ud. Skiven kan enten springe mod eller

væk fra operatøren, afhængigt af retningen af skivens bevægelse på det sted, hvor den klemmes. Slibeskiver kan også brække under disse forhold.

Tilbageslag er et resultat af misbrug af og/eller forkert betjening af maskinen eller forkerte brugsforhold. Dette kan undgås ved, at der tages de rette forholdsregler som anvist herunder.

1. **Hold godt fast i maskinværktøjet med begge hænder, og placer din krop og arme, så du kan modstå tilbageslagskræfter. Anvend altid hjælpehåndtag, hvis det er til rådighed, for maksimal kontrol over tilbageslag eller drejningsmomentreaktion opstart.** Operatøren kan styre drejningsmomentreaktioner eller tilbageslagskræfter, hvis der træffes passende forholdsregler.
2. **Anbring aldrig hånden i nærheden af det roterende tilbehør.** Tilbehøret kan give tilbageslag over hånden.
3. **Placer ikke din krop i det område, hvor maskinværktøjet bevæger sig, hvis der opstår tilbageslag.** Tilbageslag vil slynge maskinen i modsat retning af skivens bevægelse på det sted, hvor den sidder fast.
4. **Vær ekstra forsigtig, når du arbejder med hjørner, skarpe kanter osv. Undgå, at tilbehøret hopper og bliver fastklemt.** Hjørner, skarpe kanter eller op og ned-bevægelser har en tendens til at fastklemme det roterende tilbehør og forårsage tab af kontrol eller tilbageslag.
5. **Lad være med at montere en savkæde-træskæreklinge, en segmenteret diamantskive med et perifer mellemrum på mere end 10 mm eller en savklinge med tænder.** Sådanne klinger skaber hyppige tilbageslag og tab af kontrol.

Specifikke sikkerhedsadvarsler for anvendelser med slibning og afskæring:

1. **Anvend kun skivetyper, som er specificeret til dit maskinværktøj, og den specielle beskyttelsesskærm, som er beregnet til den valgte skive.** Skiver, som maskinværktøjet ikke er designet til, kan ikke beskyttes tilstrækkeligt og er usikre.
2. **Slibefloden på forsænkede centerskiver skal monteres under beskyttelsesskærmmkantens flade.** En forkert monteret skive, der går gennem beskyttelsesskærmmkantens plan, kan ikke beskyttes tilstrækkeligt.
3. **Beskyttelsesskærmen skal være ordentligt monteret på maskinværktøjet og placeret, så den optimale sikkerhed opnås, således at mindst muligt af skiven vender mod operatøren.** Beskyttelsesskærmen hjælper med at beskytte operatøren mod ødelagte skivefragmenter, utilsigtet kontakt med skiven og gnister, der kan antænde tøjet.
4. **Skiver må kun anvendes til de specificerede opgaver. For eksempel: Slib ikke med siden af afskæringsskiven.** Slibende afskæringsskiver er beregnet til perifer slibning, og sidekræfter, der påføres disse skiver, kan få dem til at gå i stykker.
5. **Anvend altid ubeskadigede skiveflanger, som har den rigtige størrelse og form til den valgte skive.** Korrekte skiveflanger understøtter skiven, hvilket reducerer risikoen for skivebrud. Flanger

til afskæringsskiver kan være forskellige fra slibeskiveflanger.

6. **Anvend ikke nedslidte skiver fra større maskiner.** En skive, der er beregnet til større maskiner, er ikke egnet til en mindre maskines højere hastighed og kan sprænge.
7. **Når der anvendes skiver til dobbelt formål, skal der altid anvendes den korrekte beskyttelsesskærm til den anvendelse, som udføres.** Anvendes den korrekte beskyttelsesskærm ikke, vil der muligvis ikke være det ønskede niveau af beskyttelse, hvilket kan medføre alvorlig tilskadekomst.

Yderligere sikkerhedsadvarsler, der er specifikke for anvendelser med afskæring:

1. **Vær påpasselig med ikke at "klemme" afskæringsskiven fast eller udsætte den for et ekstremt tryk. Forsøg ikke at lave en for stor skæredybde.** Overbelastning af skiven øger belastningen og følsomheden for vridning eller binding af skiven i snittet og muligheden for tilbageslag eller skivebrud.
2. **Stå ikke på linje med eller bag den roterende skive.** Når skiven, på anvendelsesstedet, bevæger sig væk fra kroppen, kan det mulige tilbageslag slynge den roterende skive og maskinen direkte mod dig.
3. **Hvis skiven sidder fast, eller hvis du af en eller anden grund afbryder et snit, skal du slukke for maskinen og holde den stille, indtil skiven er stoppet helt. Forsøg aldrig at fjerne afskæringsskiven fra skæringen, mens skiven er i bevægelse, da der ellers kan forekomme tilbageslag.** Undersøg og træf korrigerende foranstaltninger for at fjerne årsagen til skivebinding.
4. **Lad være med at starte skæringen i arbejdsområdet. Lad skiven nå fuld hastighed, og gå forsigtigt ind i skæringen igen.** Skiven kan binde, presses op eller slå tilbage, hvis maskinen genstartes i arbejdsområdet.
5. **Understøt paneler eller alle arbejdssemner i overstørrelse for at minimere risikoen for fastklemning af skiven og tilbageslag.** Store arbejdssemner har tendens til at synke under deres egen vægt. Understøtningerne skal placeres under arbejdsområdet nær skærelinjen og nær kanten af arbejdsområdet på begge sider af skiven.
6. **Vær ekstra forsigtig, når du laver et "lomme-snit" i eksisterende vægge eller andre blinde områder.** Den fremspringende skive kan skære gas- eller vandrør, elektriske ledninger eller genstande, der kan forårsage tilbageslag.
7. **Forsøg ikke at udføre buet skæring.** Overbelastning af skiven øger belastningen og følsomheden for vridning eller binding af skiven i snittet og muligheden for tilbageslag eller skivebrud, hvilket kan medføre alvorlig tilskadekomst.
8. **Inden anvendelse af en segmenteret diamantskive skal De sørge for, at diamantskiven har et perifer mellemrum mellem segmenterne på 10 mm eller derunder, kun med en negativ rivevinkel.**

Specifikke sikkerhedsadvarsler for anvendelser med sandslibning:

1. **Brug sanddiskpapir i den korrekte størrelse.**

Følg producentens anbefalinger, når du vælger sandpapir. Større sandpapir, der strækker sig for langt ud over slibepuden, udgør en risiko for flænger og kan forårsage fastklemning, rivning af disken eller tilbageslag.

Specifikke sikkerhedsadvarsler for anvendelser med trådbørstning:

1. **Vær opmærksom på, at trådbørstehårene afstødes fra børsten selv under almindelig anvendelse.** Overbelast ikke trådbørstehårene ved at påføre børsten for stor belastning. Trådbørstehårene kan let trænge igennem tyndt tøj og/eller hud.
2. **Hvis anvendelse af en beskyttelseskærm ved trådbørstning er angivet, må man ikke tillade interferens af trådskiven eller børsten med beskyttelseskærmen.** Trådskiven eller børsten kan udvides i diameter på grund af arbejdsbelastning og centrifugalkræfter.

Supplerende sikkerhedsadvarsler:

1. **Hvis der anvendes forsænkede centerskiver, skal man sørge for kun at anvende fiberglasforstærkede skiver.**
2. **ANVEND ALDRIG skiver af stenkop-typen med denne sliber.** Denne sliber er ikke beregnet til disse typer skiver, og anvendelse af et sådant produkt kan resultere i alvorlig tilskadekomst.
3. **Vær påpasselig med ikke at komme til at beskadige spindlen, flangen (specielt monteringsfladen) eller låsemøtrikken.** Beskadigelse af disse dele kan resultere i, at skiven brækker.
4. **Sørg for, at skiven ikke er i berøring med arbejdsemnet, inden De tænder for maskinen med afbryderen.**
5. **Inden De begynder at anvende maskinen på et rigtigt arbejdsemne, skal De lade den køre i et stykke tid.** Vær opmærksom på vibrationer eller slør, som kan være tegn på dårlig montering eller en forkert afbalanceret skive.
6. **Anvend den specificerede overflade på skiven til at udføre slibningen.**
7. **Læg ikke maskinen fra Dem, mens den stadig kører.** Anvend kun maskinen som håndværktøj.
8. **Berør ikke arbejdsemnet lige efter at arbejdet er udført.** Det kan blive meget varmt og være årsag til forbrændinger.
9. **Undgå at berøre tilbehør umiddelbart efter arbejdets ophør.** Det kan være meget varmt og kan forårsage forbrændinger af huden.
10. **Følg producentens anvisninger for korrekt montering og brug af hjul og tilbehør.** Forkert montering og brug kan medføre personskaade.
11. **Håndtér og opbevar hjulene med forsigtighed.**
12. **Anvend ikke separate reduktionsbøsninger eller adaptere til at tilpasse slibeskiver med store centerhuller til maskinen.**
13. **Anvend kun de specificerede flanger til denne maskine.**
14. **Ved anvendelse af maskiner, der er beregnet til montering af slibeskiver med gevindforsynet hul, skal det altid sikres, at gevindet i skiven er langt nok i forhold til spindelængden.**
15. **Kontrollér at emnet er korrekt understøttet.**

16. **Forsigtig! Skiven fortsætter med at rotere, efter at der slukket for maskinen.**
17. **Hvis arbejdsstedet er ekstremt varmt eller fugtigt, eller slemt tilsnævset med ledende støv, bør der anvendes en kortslutningsafbryder (30 mA) for at garantere sikkerheden under arbejdet.**
18. **Anvend aldrig maskinen på materialer, der indeholder asbest.**
19. **Når du anvender afskæringsskiven, skal du altid arbejde med beskyttelseskærmen til støvopsamling, hvis det kræves i henhold til national lovgivning.**
20. **Skæreskiver må ikke udsættes for tryk fra siden.**
21. **Anvend ikke stofarbejdshandsker under brugen.** Fibre fra stofhandsker kan muligvis trænge ind i maskinen, hvilket forvolder skade på maskinen.
22. **Inden betjening skal du sørge for, at der ikke er nogen skjulte genstande som fx elektriske rør, vandrør eller gasrør i arbejdsemnet.** Ellers kan det muligvis forårsage et elektrisk stød, en elektrisk lækage eller gaslækage.
23. **Hvis der er monteret et underlag til skiven, skal du ikke fjerne det.** Diameteren af underlaget skal være større end låsemøtrikken, den udvendige flange og indvendige flange.
24. **Inden du monterer en slibeskive skal du altid kontrollere, at underlagsdelen ikke har nogen uregelmæssigheder som fx hakker eller revner.**
25. **Spænd låsemøtrikken korrekt.** Overspænding af skiven kan forårsage brud og utilstrækkelig spænding kan forårsage rystelser.

GEM DISSE FORSKRIFTER.

⚠ ADVARSEL: LAD IKKE bekvemmelighed eller kendskab til produktet (opnået gennem gentagen brug) forhindre, at sikkerhedsforskrifterne for produktet nøje overholdes. MISBRUG eller forsumelse af at følge de i denne brugsvejledning givne sikkerhedsforskrifter kan medføre alvorlig personskaade.

Vigtige sikkerhedsinstruktioner for akkuen

1. **Læs alle instruktioner og advarselmærkater på (1) akku-opladeren, (2) akkuen og (3) produktet, som anvender akku.**
2. **Adskil eller ændr ikke akkuen.** Det kan muligvis resultere i en brand, overdreven varme eller eksplosion.
3. **Hold straks op med anvendelsen, hvis brugstiden er blevet stærkt afkortet.** Fortsat anvendelse kan resultere i risiko for overophedning, forbrændinger og endog eksplosion.
4. **Hvis De har fået elektrolytvæske i øjnene, skal De straks skylle den ud med rent vand og derefter øjeblikkeligt søge lægehjælp.** I modsat fald kan De miste synet.
5. **Vær påpasselig med ikke at komme til at kortslutte akkuen:**

GEM DENNE BRUGSANVISNING.

⚠FORSIGTIG: Brug kun originale batterier fra Makita. Brug af uoriginale Makita-batterier, eller batterier som er blevet ændret, kan muligvis medføre brud på batteriet, hvilket kan forårsage brand, personskade eller beskadigelse. Det ugyldiggør også Makita-garantien for Makita-maskinen og opladeren.

- (1) Rør ikke ved terminalerne med noget ledende materiale.
 - (2) Undgå at opbevare akkuen i en beholder sammen med andre genstande af metal, for eksempel søm, mønter og lignende.
 - (3) Udsæt ikke akkuen for vand eller regn. Kortslutning af akkuen kan forårsage en kraftig øgning af strømmen, overophedning, mulige forbrændinger og endog værktøjstop.
6. Opbevar og brug ikke maskinen og akkuen på steder, hvor temperaturen muligvis kan nå eller overstige 50 °C.
 7. Lad være med at brænde akkuen, selv ikke i tilfælde, hvor den har lidt alvorlig skade eller er fuldstændig udtjent. Akkuen kan eksplodere, hvis man forsøger at brænde den.
 8. Slå ikke søm i, skær ikke i, knus, kast, tab ikke akkuen og stød ikke akkuen mod en hård genstand. Sådan adfærd kan muligvis resultere i en brand, overdreven varme eller eksplosion.
 9. Anvend ikke en beskadiget akku.
 10. De indbyggede litium-ion-batterier er underlagt lovkrav vedrørende farligt gods. Ved kommerciel transport, f.eks. af tredjeparts transportselskaber, skal særlige krav til forpakning og mærkning overholdes. Ved forberedelse af udstyret til forsendelse skal du kontakte en ekspert i farligt gods. Overhold også eventuel mere detaljeret national lovgivning. Tape eller tildæk åbne kontakter, og pak batteriet på en måde, så det ikke kan flytte sig rundt i pakningen.
 11. Når akkuen bortskaftes, skal du fjerne den fra maskinen og bortskaft den på et sikkert sted. Følg de lokale love vedrørende bortskaftelsen af batterier.
 12. Brug kun batterierne med de produkter, som Makita specificerer. Hvis batterierne installeres i ikke-kompatible produkter, kan det medføre brand, kraftig varme, eksplosion eller udsvining af elektrolyt.
 13. Hvis maskinen ikke skal bruges i længere tid ad gangen, skal du fjerne batteriet fra maskinen.
 14. Akkuen kan muligvis under og efter brug være varm, hvilket kan forårsage forbrændinger eller lavtemperaturforbrændinger. Vær påpasselig med håndtering af varme akkuer.
 15. Rør ikke terminalen på maskinen straks efter brug, da den bliver varm nok til at forårsage forbrændinger.
 16. Sørg for, at spåner, støv eller jord ikke sætter sig fast i akkuens terminaler, huller og riller. Det kan forårsage opvarmning, antændelse, sprængning og funktionsfejl i maskinen eller akkuen, hvilket kan medføre forbrændinger eller personskade.
 17. Medmindre maskinen understøtter brugen i nærheden af elektriske højspændingsledninger, skal du ikke anvende akkuen i nærheden af elektriske højspændingsledninger. Det kan muligvis medføre funktionsfejl på eller nedbrud af maskinen eller akkuen.
 18. Opbevar batteriet utilgængeligt for børn.

Tips til opnåelse af maksimal akku-levetid

1. Oplad akkuen, inden den er helt afladet. Stop altid værktøjet, og oplad akkuen, hvis De bemærker, at værktøjeffekten er aftagende.
2. Genoplad aldrig en fuldt opladet akku. Overopladning vil afkorte akkuens levetid.
3. Oplad akkuen ved stuetemperatur ved 10 °C - 40 °C. Lad altid en varm akku få tid til at køle af, inden den oplades.
4. Når du ikke anvender akkuen, skal du fjerne den fra maskinen eller opladeren.
5. Oplad akkuen, hvis De ikke skal bruge den i længere tid (mere end seks måneder).

Vigtige sikkerhedsinstruktioner for trådløs enhed

1. Undlad at adskille eller ændre den trådløse enhed.
2. Opbevar den trådløse enhed utilgængeligt for små børn. Søg øjeblikkeligt læge, hvis den sluses ved et uheld.
3. Brug kun den trådløse enhed sammen med maskiner fra Makita.
4. Udsæt ikke den trådløse enhed for regn eller våde omgivelser.
5. Brug ikke den trådløse enhed på steder, hvor temperaturen overskrider 50 °C.
6. Brug ikke den trådløse enhed i nærheden af medicinske instrumenter som f.eks. pacemakere.
7. Brug ikke den trådløse enhed i nærheden af automatiske enheder. Hvis den bruges, kan automatiske enheder udvikle fejlfunktion eller fejl.
8. Undlad at betjene den trådløse enhed på steder med høje temperaturer eller steder, hvor der kan genereres statisk elektricitet eller elektrisk støj.
9. Den trådløse enhed kan frembringe elektromagnetiske felter (EMF), men de er ikke skadelige for brugeren.
10. Den trådløse enhed er et præcisionsinstrument. Undgå at tabe eller slå på den trådløse enhed.
11. Undgå at berøre terminalen på den trådløse enhed med de bare hænder eller metalliske materialer.
12. Tag altid batteriet ud af produktet, når den trådløse enhed monteres på det.
13. Når låget på åbningen åbnes, skal du undgå steder, hvor der kan komme støv eller vand ind i åbningen. Hold altid indgangen til åbningen ren.

14. **Indsæt altid den trådløse enhed i den rigtige retning.**
15. **Undgå at trykke for hårdt på den trådløse aktiveringsknap på den trådløse enhed og/eller at trykke på knappen med en genstand med en skarp kant.**
16. **Luk altid låget på åbningen under brug.**
17. **Undlad at fjerne den trådløse enhed fra åbningen, når der er sluttet strøm til maskinen.** Hvis du gør dette, kan det medføre funktionsfejl i den trådløse enhed.
18. **Undlad at fjerne etiketten på den trådløse enhed.**
19. **Undlad at sætte nogen etiket på den trådløse enhed.**
20. **Lad ikke den trådløse enhed ligge på steder, hvor der kan genereres statisk elektricitet eller elektrisk støj.**
21. **Lad ikke den trådløse enhed ligge på steder, der er udsat for høj varme, for eksempel en bil, der står i solen.**
22. **Lad ikke den trådløse enhed ligge på et sted med støv eller pulver eller på et sted, hvor der kan udvikles ætsende gas.**
23. **En pludselig temperaturændring kan forårsage dug på den trådløse enhed. Brug ikke den trådløse enhed, før duggen er tørret helt bort.**
24. **Ved rengøring af den trådløse enhed skal den aftørres forsigtigt med en tør, blød klud. Brug ikke rensebenzin, fortynder, ledende fedtstof eller lignende.**
25. **Ved opbevaring af den trådløse enhed skal den opbevares i den medfølgende æske eller i en beholder, der er fri for statisk elektricitet.**
26. **Indsæt ikke andre enheder end den trådløse enhed fra Makita i åbningen på maskinen.**
27. **Undlad at bruge maskinen, hvis låget til åbningen er beskadiget.** Vand, støv og snavs, der kommer ind i åbningen, kan forårsage fejlfunktion.
28. **Undlad at trække og/eller vride låget til åbningen mere end nødvendigt.** Sæt låget på igen, hvis det falder af maskinen.
29. **Udskift låget til åbningen, hvis det bliver væk eller ødelægges.**

GEM DISSE FORSKRIFTER.

FUNKTIONSBESKRIVELSE

⚠FORSIGTIG: Sørg altid for at maskinen er slukket, og at akkuen er taget ud, før der udføres justering eller kontrol af funktioner på maskinen.

Isætning eller fjernelse af akkuen

⚠FORSIGTIG: Sluk altid for værktøjet, før De monterer eller fjerner akkuen.

⚠FORSIGTIG: Hold værktøjet og akkuen fast ved montering eller fjernelse af akkuen. Hvis De ikke holder værktøjet og akkuen fast, kan de glide ud af hænderne på Dem og forårsage beskadigelse af værktøjet og akkuen eller personskade.

For at montere akkuen skal du justere tungen på akkuen med rillen i huset og skubbe den på plads. Indsæt den hele vejen, indtil den låses med et lille klik. Hvis du kan se den røde indikator, som vist i figuren, er den ikke helt låst.

Akkuen fjernes ved, at De trækker den ud af værktøjet, idet De skyder knappen på forsiden af akkuen i stilling.

► **Fig.1:** 1. Rød indikator 2. Knap 3. Akku


















⚠FORSIGTIG: Monter altid akkuen helt, indtil den røde indikator ikke længere er synlig. Hvis dette ikke gøres, kan den falde ud af værktøjet ved et uheld, hvorved De selv eller personer i nærheden kan komme til skade.

⚠FORSIGTIG: Brug ikke magt ved montering af akkuen. Hvis akkuen ikke glider på plads uden problemer, betyder det, at den ikke sættes i på korrekt vis.

Indikation af den resterende batteriladning

Tryk på kontrolknappen på akkuen for at få vist den resterende batteriladning. Indikatorlampen lyser i nogle sekunder.

► **Fig.2:** 1. Indikatorlamper 2. Kontrolknap

Indikatorlamper			Resterende ladning
 Tændt	 Slukket	 Blinker	
			75% til 100%
			50% til 75%
			25% til 50%
			0% til 25%
			Genoplad batteriet.
			Der er muligvis fejl i batteriet.
			

BEMÆRK: Afhængigt af brugsforholdene og den omgivende temperatur kan indikationen afvige en smule fra den faktiske ladning.

BEMÆRK: Den første indikatorlampe (længst mod venstre) vil blinke, når batteribeskyttelsessystemet aktiveres.

Beskyttelsessystem til værktøj/ batteri

Maskinen er udstyret med et beskyttelsessystem til maskinen/batteriet. Dette system afbryder automatisk strømmen til motoren for at forlænge maskinens og batteriets levetid. Maskinen stopper automatisk under brugen, hvis maskinen eller batteriet udsættes for et af følgende forhold:

Overbelastningsbeskyttelse

Hvis maskinen/batteriet bruges på en måde, der får den til at trække en unormalt høj strøm, stopper maskinen automatisk uden indikation. Sluk i så fald for maskinen, og stop den anvendelse, der medførte overbelastningen af maskinen. Tænd derefter for maskinen for at starte igen.

Beskyttelse mod overophedning

Hvis maskinen/batteriet er overophedet, stopper maskinen automatisk. Lad maskinen køle af, inden du tænder for maskinen igen.

Beskyttelse mod overafledning

Når batteriladningen er utilstrækkelig, stopper maskinen automatisk. Tag i så fald akkuen ud af maskinen, og oplad akkuen.

Frigørelse af beskyttelseslåsen

Når beskyttelsessystemet aktiveres gentagne gange, låses maskinen.

I så fald starter maskinen ikke, selv om der tændes og slukkes for maskinen. For at frigøre beskyttelseslåsen skal du fjerne akkuen, sætte den i batteriopladeren og vente, indtil opladningen er fuldført.

Beskyttelse mod andre årsager

Beskyttelsessystemet er også designet til andre årsager, der kan beskadige maskinen og gør det muligt for maskinen at stoppe automatisk. Træf alle følgende foranstaltninger for at fjerne årsagerne, når maskinen midlertidigt er blevet bragt til standsning eller stoppet i drift.

1. Sørg for, at alle kontakt(er) er i fra-positionen, og tænd derefter for maskinen igen for at genstarte den.
2. Oplad batteriet/batterierne eller udskift det/dem med genopladet/genopladede batteri/batterier.
3. Lad maskinen og batteriet/batterierne køle af.

Hvis der ikke kan findes nogen forbedring ved at gen-danne beskyttelsessystemet, skal det lokale Makita-servicecenter kontaktes.

Aksellås

⚠ ADVARSEL: Aktiver aldrig aksellåsen, når spindlen bevæger sig. Det kan forårsage alvorlig tilskadekomst eller maskinskade.

Tryk på aksellåsen for at forhindre, at spindlen roterer, når tilbehør monteres eller afmonteres.

► Fig.3: 1. Aksellås

Afbryderfunktion

⚠ FORSIGTIG: Før akkuen sættes i maskinen, skal man altid sikre sig, at afbryderhåndtaget fungerer korrekt, og at det springer tilbage i "OFF"-positionen, når det slippes.

⚠ FORSIGTIG: Af hensyn til din sikkerhed er maskinen forsynet med et aflåsehåndtag, der forhindrer, at maskinen starter ved et uheld. Brug ALDRIG maskinen, hvis den kører, når du blot trykker på afbryderhåndtaget uden at trække aflåsehåndtaget. Returner maskinen til vores autoriserede servicecenter til korrekt reparation, FØR den benyttes igen.

⚠ FORSIGTIG: Træk ikke hårdt i afbryderhåndtaget uden at trække i aflåsehåndtaget. Dette kan forårsage beskadigelse af afbryderen.

⚠ FORSIGTIG: Brug ALDRIG tape til at fastgøre aflåsehåndtaget eller på anden måde omgå dets formål og funktion.

For at forhindre utilsigtet indtrykning af afbryderhåndtaget er maskinen udstyret med et aflåsehåndtag.

For at starte maskinen skal man trække aflåsehåndtaget mod operatøren og derefter trække i afbryderhåndtaget.

For at stoppe maskinen slippes afbryderhåndtaget.

► Fig.4: 1. Aflåsehåndtag 2. Afbryderhåndtag

Drejeknap til hastighedsjustering

Maskinens rotationshastighed kan ændres ved at dreje drejeknappen til hastighedsjustering. Nedenstående tabel viser tallet på drejeknappen og den tilsvarende rotationshastighed.

► Fig.5: 1. Drejeknap til hastighedsjustering

Tal	Hastighed
1	3.000 min ⁻¹
2	4.500 min ⁻¹
3	6.000 min ⁻¹
4	7.500 min ⁻¹
5	9.000 min ⁻¹

BEMÆRKNING: Hvis maskinen anvendes kontinuerligt ved lav hastighed i længere tid ad gangen, bliver motoren overbelastet med funktionsforstyrrelser til følge.

BEMÆRKNING: Justeringsdrejknappen for hastighed kan kun drejes så langt som til 5 og tilbage til 1. Undlad at tvinge den forbi 5 eller 1, da hastighedsvælgerfunktionen muligvis ellers ikke længere vil fungere.

Funktion til forhindring af utilsigtet genstart

Maskinen starter ikke, når akkuen sættes i, mens kontakten er slået TIL.

For at starte maskinen skal du slukke for kontakten og tænde den igen.

Teknologi til aktiv registrering af feedback

Maskinen registrerer elektronisk situationer, hvor skiven eller tilbehøret kan risikere at binde. I så fald slukkes der automatisk for maskinen for at forhindre spindlen i at rotere yderligere (det forhindrer ikke tilbageslag). For at genstarte maskinen skal man først slukke for maskinen, eliminere årsagen til det pludselige fald i rotationshastighed og derefter tænde for maskinen.

Funktion for blød start

Funktionen for blød start reducerer startreaktionen.

Elektrisk bremse

Kun for model GA027G / GA028G / GA029G

Den elektriske bremse aktiveres, når der slukkes for maskinen.

Bremsen fungerer ikke, når strømforsyningen afbrydes, for eksempel hvis akkuen fjernes ved en fejltagelse, mens kontakten stadig er til.

SAMLING

⚠️FORSIGTIG: Sørg altid for at maskinen er slukket, og at akkuen er taget ud, før der udføres justering eller kontrol af funktioner på maskinen.

Montering af sidehåndtag

⚠️FORSIGTIG: Sørg altid for, at sidehåndtaget er ordentligt monteret inden brugen.

Skru sidehåndtaget ordentligt på maskinen på det på illustrationen viste sted.

► Fig.6

Montering eller afmontering af beskyttelsesskærm

⚠️ADVARSEL: Ved brug af en forsænket centerskive, bladdisk, flex-skive eller trådskivebørste skal beskyttelsesskærmen monteres på maskinen, så den lukkede side af skærmen altid vender mod operatøren.

⚠️ADVARSEL: Kontroller at beskyttelsesskærmen er låst ordentligt fast vha. låsearmen med et af hullerne i beskyttelsesskærmen.

⚠️ADVARSEL: Ved brug af en slibende afskæringsskive / diamantskive skal man sørge for kun at anvende den særlige beskyttelsesskærm, der er beregnet til brug med afskæringsskiver.

Til forsænket centerskive, bladdisk, flex-skive, trådskivebørste / slibende afskæringsskive, diamantskive

1. Mens du trykker på låsearmen, skal du montere beskyttelsesskærmen, så fremspringene på beskyttelsesskærmen er ud for indhakkene på kuglelejevoksen.

► Fig.7: 1. Låsearm 2. Indhak 3. Fremspring

2. Mens du trykker låsearmen mod A, skal du trykke beskyttelsesskærmen ind ved at holde ned på delene B som vist på figuren.

► Fig.8: 1. Beskyttelsesskærm 2. Hul

BEMÆRK: Tryk beskyttelsesskærmen lige ned. Ellers kan du ikke trykke beskyttelsesskærmen helt ind.

3. Mens du beholder låsearmens og beskyttelsesskærmens position, som beskrevet i trin 2, skal du dreje beskyttelsesskærmen mod C og derefter ændre vinklen på beskyttelsesskærmen i overensstemmelse med arbejdet, så operatøren kan blive beskyttet. Ret låsearmen ind med et af hullerne i beskyttelsesskærmen og slip derefter låsearmen for at låse beskyttelsesskærmen.

► Fig.9: 1. Beskyttelsesskærm 2. Hul

BEMÆRK: Tryk beskyttelsesskærmen helt ind. Ellers kan du ikke dreje beskyttelsesskærmen.

Følg fremgangsmåden til montage i modsat rækkefølge for at afmontere beskyttelsesskærmen.

Clip-on-tilbehør til beskyttelsesskærm til skæring

Ekstraudstyr

BEMÆRK: Til afskæringsbetjening kan der anvendes et clip-on-tilbehør til beskyttelsesskærm til skæring sammen med beskyttelsesskærmen (til slibeskive).

Ikke til rådighed i visse lande.

► Fig.10

Montering eller afmontering af forsænket centerskive eller bladdisk

Ekstraudstyr

⚠ ADVARSEL: Når en forsænket centerskive eller bladdisk anvendes, skal beskyttelseskærmen sættes på maskinen, så den lukkede side af skærmen altid er rettet mod operatøren.

⚠ ADVARSEL: Sørg for, at monteringsdelen af den indvendige flange passer perfekt ind i den indvendige diameter på den forsænkede centerskive / bladdisken. Monteres den indvendige flange på den forkerte side, kan det medføre farlig vibration.

Monér den indvendige flange på spindlen. Sørg for, at anbringe den bulende del af den indvendige flange på den lige del nederst på spindlen. Anbring den forsænkede centerskive / bladdisken på den indvendige flange og skru låsemøtrikken på spindlen.

► **Fig.11:** 1. Låsemøtrik 2. Forsænket centerskive 3. Indvendig flange 4. Monteringsdel

Låsemøtrikken strammes ved at man trykker fast på aksellåsen, så spindlen ikke kan dreje, og derefter anvender låsemøtriknøglen til at stramme godt til i retningen med uret.

► **Fig.12:** 1. Låsemøtriknøgle 2. Aksellås

Gå frem i modsat rækkefølge af monteringsproceduren, når skiven skal tages af.

Montering og afmontering af flex-skive

Ekstraudstyr

⚠ ADVARSEL: Brug altid den medfølgende beskyttelseskærm, når flex-skiven er monteret på maskinen. Skiven kan brække under brugen, og beskyttelseskærmen bidrager til at reducere risikoen for tilskadekomst.

► **Fig.13:** 1. Låsemøtrik 2. Flex-skive 3. Bagskive 4. Indvendig flange

Følg instruktionerne for den forsænkede centerskive, men brug også bagskiven over skiven.

Montering og afmontering af slibedisk

Ekstraudstyr

BEMÆRK: Brug sandslibetilbehør, som er specificeret i denne brugsanvisning. Dette skal anskaffes separat.

Til 100 mm (4")-modellen

► **Fig.14:** 1. Sandslibelåsemøtrik 2. Slibedisk 3. Gummipude 4. Indvendig flange

1. Monér den indvendige flange på spindlen.
2. Monér gummipuden på spindlen.
3. Monér disken på gummipuden og skru sandslibelåsemøtrikken på spindlen.

4. Hold spindlen med aksellåsen og spænd sandslibelåsemøtrikken ordentligt til i urets retning med låsemøtriknøglen.

Følg fremgangsmåden til montering i modsat rækkefølge for at afmontere disken.

Til andre modeller end 100 mm (4")

► **Fig.15:** 1. Sandslibelåsemøtrik 2. Slibedisk 3. Gummipude

1. Monér gummipuden på spindlen.
2. Monér disken på gummipuden og skru sandslibelåsemøtrikken på spindlen.
3. Hold spindlen med aksellåsen og spænd sandslibelåsemøtrikken ordentligt til i urets retning med låsemøtriknøglen.

Følg fremgangsmåden til montering i modsat rækkefølge for at afmontere disken.

Superflange

Ekstraudstyr

Superflange er et særligt tilbehør til en model, som IKKE er udstyret med en bremsefunktion. Modeller med bogstavet F er udstyret med en superflange som standard. Der behøves kun 1/3 kraft til at løsne låsemøtrikken i forhold til den almindelige type.

Montering eller fjernelse af Ezynut

Ekstraudstyr

Kun for maskiner med M14-spindelgevind.

⚠ FORSIGTIG: Brug ikke Ezynut sammen med superflange. Disse flanger er så tykke, at hele gevindet ikke kan skrues ind i spindlen.

Monér den indvendige flange, slibeskiven og Ezynut på spindlen, så Makita-logoet på Ezynut vender udad.

► **Fig.16:** 1. Ezynut 2. Slibeskive 3. Indvendig flange 4. Spindel

Tryk fast på aksellåsen, og stram Ezynut ved at dreje slibeskiven i retningen med uret, så langt som den kan komme.

► **Fig.17:** 1. Aksellås

Hvis du vil løsne Ezynut, skal du dreje den udvendige ring på Ezynut i retningen mod uret.

BEMÆRK: Ezynut kan løsnes i hånden, så længe pilen peger mod hakket. Ellers skal der bruges en låsemøtriknøgle til at løsne den. Sæt en stift på nøglen i hullet, og drej Ezynut i retningen mod uret.

► **Fig.18:** 1. Pil 2. Hak

► **Fig.19**

Montering af slibende afskæringsskive / diamantskive

Ekstraudstyr

⚠ ADVARSEL: Ved brug af en slibende afskæringsskive / diamantskive skal man sørge for kun at anvende den særlige beskyttelsesskærm, der er beregnet til brug med afskæringsskiver.

⚠ ADVARSEL: Anvend ALDRIG en afskæringsskive til sideslibning.

- **Fig.20:** 1. Låsemøtrik 2. Slibende afskæringsskive / diamantskive 3. Indvendig flange 4. Beskyttelsesskærm til slibende afskæringsskive / diamantskive

Med hensyn til monteringen skal instruktionerne for forsænkede centerskiver følges. Retningen for montering af låsemøtrikken og den indvendige flange afhænger af skivetyper og -tykkelsen. Se de følgende figurer.

Til 100 mm (4")-modellen

Når den slibende afskæringsskive monteres:

- **Fig.21:** 1. Låsemøtrik 2. Slibende afskæringsskive (tyndere end 4 mm (5/32")) 3. Slibende afskæringsskive (4 mm (5/32")) eller tykkere) 4. Indvendig flange

Når diamantskiven monteres:

- **Fig.22:** 1. Låsemøtrik 2. Diamantskive (tyndere end 4 mm (5/32")) 3. Diamantskive (4 mm (5/32")) eller tykkere) 4. Indvendig flange

Til andre modeller end 100 mm (4")

Når den slibende afskæringsskive monteres:

- **Fig.23:** 1. Låsemøtrik 2. Slibende afskæringsskive (tyndere end 4 mm (5/32")) 3. Slibende afskæringsskive (4 mm (5/32")) eller tykkere) 4. Indvendig flange

Når diamantskiven monteres:

- **Fig.24:** 1. Låsemøtrik 2. Diamantskive (tyndere end 4 mm (5/32")) 3. Diamantskive (4 mm (5/32")) eller tykkere) 4. Indvendig flange

Montering af trådkopbørste

Ekstraudstyr

⚠ FORSIGTIG: Undlad at anvende en trådkopbørste, der er beskadiget eller ude af balance. Anvendelsen af en beskadiget trådkopbørste kan øge risikoen for personskade ved kontakt med knækkede børstetråde.

Placer maskinen på hovedet for at få nem adgang til spindlen. Fjern alt ekstraudstyr på spindlen. Monter trådkopbørsten på spindlen og stram til med den medfølgende nøgle.

- **Fig.25:** 1. Trådkopbørste

Montering af trådslibebørste

Ekstraudstyr

⚠ FORSIGTIG: Anvend ikke en trådslibebørste, som er beskadiget, eller som ikke er i balance. Anvendelse af en beskadiget trådslibebørste kan øge risikoen for tilskadekomst forårsaget af kontakt med ødelagte tråde.

⚠ FORSIGTIG: Anvend ALTID en beskyttelsesskærm med trådslibebørster, og sørg for, at skivens diameter passer inden i beskyttelsesskærmen. Skiven kan brække under brugen, og beskyttelsesskærmen bidrager til at reducere risikoen for tilskadekomst.

Placer maskinen på hovedet for at få nem adgang til spindlen.

Fjern alt ekstraudstyr på spindlen. Sæt trådslibebørsten på spindlen og stram med nøglerne.

- **Fig.26:** 1. Trådslibebørste

Montering af hulskærer

Ekstraudstyr

Placer maskinen på hovedet for at få nem adgang til spindlen.

Fjern alt tilbehør på spindlen. Skru hulskæreren på spindlen og stram den med den medfølgende skrueøgle.

- **Fig.27:** 1. Hulskærer

Montering af beskyttelsesskærm til støvopsamling til slibning

Kun for model GA028G / GA029G / GA031G / GA032G

Ekstraudstyr

Med ekstraudstyr kan du bruge denne maskine til afhøvling af betonoverflader.

⚠ FORSIGTIG: Beskyttelsesskærmen til støvopsamling til diamantkopskiven er kun beregnet til brug ved afhøvling af betonoverflader med en diamantkopskive. Brug ikke denne skærm sammen med noget andet skærende tilbehør eller til noget andet formål.

⚠ FORSIGTIG: Kontroller før brugen, at der er sluttet en støvsuger til maskinen, og at den er tændt.

Placer maskinen på hovedet og monter beskyttelsesskærmen til støvopsamling.

Monter den indvendige flange på spindlen.

Monter diamantskiven af koptypen på den indvendige flange, og stram låsemøtrikken på spindlen.

- **Fig.28:** 1. Låsemøtrik 2. Diamantskive af koptypen 3. Navformet diamantskive af koptypen 4. Indvendig flange 5. Beskyttelsesskærm til støvopsamling 6. Kuglelejboks

BEMÆRK: Oplysninger om, hvordan beskyttelsesskærmen til støvopsamling monteres, finder du i manualen til beskyttelsesskærmen til støvopsamling.

Montering af beskyttelsesskærm til støvopsamling til afskæring

Ekstraudstyr

Med ekstraudstyr kan du bruge denne maskine til skæring af stenmaterialer.

► Fig.29

BEMÆRK: Oplysninger om, hvordan beskyttelsesskærmen til støvopsamling monteres, finder du i manualen til beskyttelsesskærmen til støvopsamling.

Tilslutning af en støvsuger

Ekstraudstyr

⚠ ADVARSEL: Støvsug aldrig metalpartikler, der stammer fra slibning/skæring/sandslibning. Metalpartikler, der stammer fra sådanne operationer, er så varme, at de antænder støvet og filteret inde i støvsugeren.

For at undgå støvede omgivelser på grund af skæring i murværk skal du anvende en beskyttelsesskærm til støvopsamling og en støvsuger.

Se i brugsanvisningen, der følger med beskyttelsesskærmen til støvopsamling, vedrørende samling og brug af den.

► Fig.30: 1. Beskyttelsesskærm til støvopsamling
2. Støvsugerens slange

ANVENDELSE

⚠ ADVARSEL: Det bør aldrig være nødvendigt at anvende magt på maskinen. Maskinens egen vægt sørger for det nødvendige tryk. Tvang og ekstremt tryk kan medføre farlige brud på skiven.

⚠ ADVARSEL: Skift **ALTID** skiven ud, hvis maskinen tabes under slibning.

⚠ ADVARSEL: Stød eller slå **ALDRIG** skiven mod arbejdsemnet.

⚠ ADVARSEL: Undgå at støde og vride skiven, især ved arbejde på hjørner, skarpe kanter osv. Det kan medføre tab af kontrol og tilbageslag.

⚠ ADVARSEL: Anvend **ALDRIG** maskinen med klinger, der er beregnet til skæring i træ, og andre savklinger. Hvis sådanne klinger anvendes på en sliber, bliver resultatet ofte tilbageslag og tab af kontrol, hvilket kan føre til tilskadekomst.

⚠ FORSIGTIG: Tænd aldrig for maskinen, mens den er i kontakt med arbejdsemnet. Operatøren kan i så fald komme til skade.

⚠ FORSIGTIG: Bær altid beskyttelsesbriller eller ansigtsskærm under brugen.

⚠ FORSIGTIG: Efter brugen skal man altid slukke for maskinen og vente, indtil skiven er stoppet helt, inden man lægger maskinen fra sig.

⚠ FORSIGTIG: Hold **ALTID** godt fast i maskinen med den ene hånd på maskinhuset og den anden på sidehåndtaget.

BEMÆRK: Der kan anvendes en skive til dobbelt formål til både slibning og afskæring.

Se "Slibning og sandslibning" angående slibning og se "Anvendelse med slibende afskæringskive/diamantskive" angående afskæring.

Slibning og sandslibning

► Fig.31

Start maskinen og anbring derefter skiven eller disken på arbejdsemnet.

Generelt skal kanten på skiven eller disken holdes i en vinkel på ca. 15° mod arbejdsemnets overflade.

I det tidsrum, hvor en ny skive indkøres, må man ikke arbejde med sliberen i forlæns retning, da dette muligvis vil bevirke, at den skærer ind i arbejdsemnet. Når først et stykke tids anvendelse har rundet kanten af skiven af, kan den anvendes i både forlæns og baglæns retning.

Eksempel på anvendelse: anvendelse med diamantskive af koptypen

► Fig.32

Hold maskinen vandret og placer hele diamantskiven af koptypen på arbejdsemnets overflade.

Anvendelse med slibende afskæringsskive / diamantskive

Ekstraudstyr

⚠ ADVARSEL: Vær påpasselig med ikke at "klemme" skiven eller udsætte den for ekstremt tryk. Forsøg ikke at lave et snit af ekstrem dybde. Et for stort pres på skiven vil øge belastningen og risikoen for at skiven vrider eller binder i snittet samt risikoen for tilbageslag, brud på skiven og overophedning af motoren.

⚠ ADVARSEL: Begynd ikke skæringen i arbejdsemnet. Lad skiven komme op på fuld hastighed og gå omhyggeligt ind i snittet, idet maskinen bevæges fremad over arbejdsemnets overflade. Skiven kan binde, presses op eller give tilbageslag, hvis maskinen startes i arbejdsemnet.

⚠ ADVARSEL: Under skæring må man aldrig ændre skivens vinkel. Hvis man øver sidelæns tryk på afskæringsskiven (som ved slibning), vil det bevirke, at skiven revner eller brækker med alvorlig tilskadekomst til følge.

⚠ ADVARSEL: En diamantskive skal anvendes vinkelret på det materiale, der skæres i.

Eksempel på anvendelse: anvendelse med slibende afskæringsskive

► Fig.33

Eksempel på anvendelse: anvendelse med diamantskive

► Fig.34

Anvendelse med trådkopbørste

Ekstraudstyr

⚠ FORSIGTIG: Kontrollér, at trådkopbørsten fungerer ved at lade maskinen køre uden belastning, og sørg for, at der ikke befinder sig nogen omkringstående foran eller på linje med trådkopbørsten.

BEMÆRKNING: Undgå, at udøve et for stort tryk, som medfører overbøjning af tråde, når trådkopbørsten anvendes. Det kan muligvis medføre for tidligt brud.

Eksempel på anvendelse: anvendelse med trådkopbørste

► Fig.35

Anvendelse med trådkivebørste

Ekstraudstyr

⚠ FORSIGTIG: Kontroller trådkivebørstens funktion ved at køre maskinen uden belastning, og sørg for, at der ikke befinder sig nogen personer foran eller i forlængelse af børsten.

BEMÆRKNING: Undgå, når trådkivebørsten anvendes, at udøve et for stort tryk, som medfører overbøjning af tråde. Det kan muligvis medføre for tidligt brud.

Eksempel på anvendelse: anvendelse med trådkivebørste

► Fig.36

Anvendelse med hulskærer

Ekstraudstyr

⚠ FORSIGTIG: Kontroller anvendelsen af hulskæreren ved at køre maskinen uden belastning, og sørg for, at der ikke befinder sig personer foran hulskæreren.

BEMÆRKNING: Vip ikke maskinen under anvendelsen. Det kan muligvis medføre for tidligt brud.

Eksempel på anvendelse: anvendelse med hulskærer

► Fig.37

TRÅDLØS AKTIVERINGSFUNKTION

Hvad kan du foretage dig med den trådløse aktiveringsfunktion

Den trådløse aktiveringsfunktion muliggør ren og behagelig anvendelse. Hvis der sluttet en understøttet støvsuger til maskinen, kan du lade støvsugeren køre automatisk, når kontakten på maskinen betjenes.

► Fig.38

Hvis du vil bruge den trådløse aktiveringsfunktion, skal du forberede følgende genstande:

- En trådløs enhed (ekstraudstyr)
- En støvsuger, der understøtter den trådløse aktiveringsfunktion

Følgende er et overblik over indstilling af den trådløse aktiveringsfunktion. Se de enkelte afsnit for detaljerede procedurer.

1. Montering af en trådløs enhed
2. Maskinregistrering til støvsugeren
3. Start af den trådløse aktiveringsfunktion

Montering af en trådløs enhed

Ekstraudstyr

⚠ FORSIGTIG: Placer maskinen på en flad og stabil overflade, når den trådløse enhed monteres.

BEMÆRKNING: Fjern støv og snavs fra maskinen, før den trådløse enhed monteres. Støv eller snavs kan forårsage funktionsfejl, hvis det kommer ind i åbningen til den trådløse enhed.

BEMÆRKNING: For at forhindre fejlfunktion forårsaget af statisk elektricitet skal du berøre et statisk afledende materiale som f.eks. en metaldele på maskinen, før du tager den trådløse enhed op.

BEMÆRKNING: Ved montering af den trådløse enhed skal du altid sikre dig, at den trådløse enhed er indsat i den korrekte retning, og at låget er lukket helt.

1. Åbn låget på maskinen som vist på figuren.
► **Fig.39:** 1. Låg
2. Indsæt den trådløse enhed i åbningen, og luk derefter låget.

Ved indsættelse af den trådløse enhed skal fremspringene justeres i forhold til de forsænkede dele på åbningen.

- **Fig.40:** 1. Trådløs enhed 2. Forspring 3. Låg 4. Forsænket del

Ved fjernelse af den trådløse enhed åbnes låget langsomt. Krogene bag på låget løfter den trådløse enhed, når du trækker låget op.

- **Fig.41:** 1. Trådløs enhed 2. Krog 3. Låg

Når den trådløse enhed er fjernet, skal den opbevares i den medfølgende æske eller i en beholder, der er fri for statisk elektricitet.

BEMÆRKNING: Brug altid krogene bag på låget ved fjernelse af den trådløse enhed. Hvis krogene ikke griber fat i den trådløse enhed, skal du lukke låget helt og åbne det langsomt igen.

Maskinregistrering til støvsugeren

BEMÆRK: Du skal bruge en Makita-støvsuger, der understøtter den trådløse aktiveringsfunktion, til maskinregistreringen.

BEMÆRK: Afslut monteringen af den trådløse enhed på maskinen, før maskinregistreringen startes.

BEMÆRK: Under maskinregistreringen må du ikke trykke på afbryderknappen eller tænde for hovedafbryderen på støvsugeren.

BEMÆRK: Se også i brugsanvisningen til støvsugeren.

Hvis du vil aktivere støvsugeren, når kontakten på maskinen betjenes, skal du først afslutte maskinregistreringen.

1. Sæt batterierne i støvsugeren og maskinen.
2. Sæt standby-kontakten på støvsugeren til "AUTO".
► **Fig.42:** 1. Standby-kontakt
3. Tryk på den trådløse aktiveringsknap på støvsugeren i 3 sekunder, indtil den trådløse aktiveringslampe blinker grønt. Tryk derefter på den trådløse aktiveringsknap på maskinen på samme måde.
► **Fig.43:** 1. Trådløs aktiveringsknap 2. Trådløs aktiveringslampe

Hvis støvsugeren og maskinen sammenkædes korrekt, lyser de trådløse aktiveringslamper grønt i 2 sekunder og begynder at blinke blåt.

BEMÆRK: De trådløse aktiveringslamper holder op med at blinke grønt efter 20 sekunder. Tryk på den trådløse aktiveringsknap på maskinen, når den trådløse aktiveringslampe på støvsugeren blinker. Hvis den trådløse aktiveringslampe ikke blinker grønt, skal du trykke kortvarigt på den trådløse aktiveringsknap og holde den nede igen.

BEMÆRK: Når der udføres to eller flere maskinregistreringer for én støvsuger, skal maskinregistreringerne udføres en for en.

Start af den trådløse aktiveringsfunktion

BEMÆRK: Afslut maskinregistreringen for støvsugeren før den trådløse aktivering.

BEMÆRK: Se også i brugsanvisningen til støvsugeren.

Når en maskine er registreret til støvsugeren, kører støvsugeren automatisk, når kontakten på maskinen betjenes.

1. Monter den trådløse enhed på maskinen.
2. Slut støvsugerens slange til maskinen.

► **Fig.44**

3. Sæt standby-kontakten på støvsugeren til "AUTO".

► **Fig.45:** 1. Standby-kontakt

4. Tryk kortvarigt på den trådløse aktiveringsknap på maskinen. Den trådløse aktiveringslampe blinker blåt.

► **Fig.46:** 1. Trådløs aktiveringsknap 2. Trådløs aktiveringslampe

5. Tænd for maskinen. Kontroller, om støvsugeren kører, mens maskinen er i drift.

Tryk på den trådløse aktiveringsknap på maskinen for at stoppe den trådløse aktivering af støvsugeren.

BEMÆRK: Den trådløse aktiveringslampe på maskinen holder op med at blinke blåt, hvis der ikke sker nogen betjening i 2 timer. Indstil i så fald standby-kontakten på støvsugeren til "AUTO", og tryk på den trådløse aktiveringsknap på maskinen igen.

BEMÆRK: Støvsugeren starter/stopper med en forsinkelse. Der er en forsinkelse, når støvsugeren registrerer en betjening af kontakten på maskinen.










BEMÆRK: Den trådløse enheds transmissionsafstand kan variere afhængigt af placeringen og de omgivende forhold.

BEMÆRK: Når to eller flere maskiner er registreret til én støvsuger, kan støvsugeren begynde at køre, selvom du ikke tænder for maskinen, fordi en anden bruger anvender den trådløse aktiveringsfunktion.

Beskrivelse af den trådløse aktiveringslampe status

► Fig.47: 1. Trådløs aktiveringslampe

Den trådløse aktiveringslampe viser status for den trådløse aktiveringsfunktion. Se i tabellen nedenfor vedrørende betydningen af lampens status.

Status	Trådløs aktiveringslampe				Beskrivelse
	Farve	 Tændt	 Blinker	Varighed	
Standby	Blå			2 timer	Den trådløse aktivering af støvsugeren er tilgængelig. Lampen slukkes automatisk, hvis der ikke sker nogen betjening i 2 timer.
				Når maskinen kører.	Den trådløse aktivering af støvsugeren er tilgængelig, og maskinen kører.
Maskinregistrering	Grøn			20 sekunder	Klar til maskinregistrering. Venter på registrering fra støvsugeren.
				2 sekunder	Maskinregistreringen er fuldført. Den trådløse aktiveringslampe begynder at blinke blåt.
Annullerer maskinregistrering	Rød			20 sekunder	Klar til annullering af maskinregistrering. Venter på annullering fra støvsugeren.
				2 sekunder	Annulleringen af maskinregistreringen er fuldført. Den trådløse aktiveringslampe begynder at blinke blåt.
Andre	Rød			3 sekunder	Der er strøm til den trådløse enhed, og den trådløse aktiveringsfunktion starter.
		Slukket	-	-	Den trådløse aktivering af støvsugeren er stoppet.

annullerer maskinregistrering for støvsugeren

Benyt følgende fremgangsmåde ved annullering af maskinregistreringen for støvsugeren.

1. Sæt batterierne i støvsugeren og maskinen.

2. Sæt standby-kontakten på støvsugeren til "AUTO".

► Fig.48: 1. Standby-kontakt

3. Tryk på den trådløse aktiveringsknop på støvsugeren i 6 sekunder. Den trådløse aktiveringslampe blinker grønt og bliver derefter rød. Tryk derefter på den

trådløse aktiveringsknop på maskinen på samme måde.

► Fig.49: 1. Trådløs aktiveringsknop 2. Trådløs aktiveringslampe

Hvis annulleringen gennemføres korrekt, lyser de trådløse aktiveringslamper rødt i 2 sekunder og begynder at blinke blåt.

BEMÆRK: De trådløse aktiveringslamper holder op med at blinke rødt efter 20 sekunder. Tryk på den trådløse aktiveringsknop på maskinen, når den trådløse aktiveringslampe på støvsugeren blinker. Hvis den trådløse aktiveringslampe ikke blinker rødt, skal du trykke kortvarigt på den trådløse aktiveringsknop og holde den nede igen.

Fejlfinding i forbindelse med den trådløse aktiveringsfunktion

Udfør selv en inspektion, inden De anmoder om reparation. Hvis De opdager et problem, som ikke er forklaret i brugsanvisningen, må De ikke forsøge at adskille maskinen. Rådfør Dem i stedet med et autoriseret Makita Servicecenter, og brug altid originale Makita udskiftningsdele til reparationer.

Unormal tilstand	Sandsynlig årsag (fejlf)	Afhjælpning
Den trådløse aktiveringslampe tændes/blinker ikke.	Den trådløse enhed er ikke monteret på maskinen. Den trådløse enhed er ikke monteret korrekt på maskinen.	Monter den trådløse enhed korrekt.
	Terminalen på den trådløse enhed og/eller åbningen er snavset.	Aftør forsigtigt støv og snavs på terminalen på den trådløse enhed, og rengør åbningen.
	Der er ikke trykket på den trådløse aktiveringsknop på maskinen.	Tryk kortvarigt på den trådløse aktiveringsknop på maskinen.
	Standby-kontakten på støvsugeren er ikke indstillet til "AUTO".	Sæt standby-kontakten på støvsugeren til "AUTO".
	Ingen strømforsyning	Tilfør strøm til maskinen og støvsugeren.

Unormal tilstand	Sandsynlig årsag (fejl)	Afhjælpning
Kan ikke afslutte maskinregistrering/ annullering af maskinregistrering korrekt.	Den trådløse enhed er ikke monteret på maskinen. Den trådløse enhed er ikke monteret korrekt på maskinen.	Monter den trådløse enhed korrekt.
	Terminalen på den trådløse enhed og/eller åbningen er snavset.	Aftør forsigtigt støv og snavs på terminalen på den trådløse enhed, og rengør åbningen.
	Standby-kontakten på støvsugeren er ikke indstillet til "AUTO".	Sæt standby-kontakten på støvsugeren til "AUTO".
	Ingen strømforsyning	Tilfør strøm til maskinen og støvsugeren.
	Forkert betjening	Tryk kortvarigt på den trådløse aktiveringsknap, og udfør procedurerne for maskinregistrering/annullering igen.
	Maskinen og støvsugeren er ikke i nærheden af hinanden (uden for transmissionsafstand).	Flyt maskinen og støvsugeren tættere på hinanden. Den maksimale transmissionsafstand er cirka 10 m, men kan variere afhængigt af forholdene.
	Før du afslutter registreringen/annulleringen af maskinen; - er kontakten på maskinen tændt eller; - er tænd/sluk-knappen på støvsugeren tændt.	Tryk kortvarigt på den trådløse aktiveringsknap, og udfør procedurerne for maskinregistrering/annullering igen.
	Maskinregistreringsprocedurerne på maskinen eller støvsugeren er ikke fuldført.	Gennemfør maskinregistreringsprocedurerne både på maskinen og støvsugeren på samme tid.
	Radiointerferens fra andre apparater, der udsender højintens radiobølger.	Hold maskinen og støvsugeren væk fra apparater som f.eks. Wi-Fi-enheder og mikrobølgeovne.
Støvsugeren kører ikke, når kontakten på maskinen betjenes.	Den trådløse enhed er ikke monteret på maskinen. Den trådløse enhed er ikke monteret korrekt på maskinen.	Monter den trådløse enhed korrekt.
	Terminalen på den trådløse enhed og/eller åbningen er snavset.	Aftør forsigtigt støv og snavs på terminalen på den trådløse enhed, og rengør åbningen.
	Der er ikke trykket på den trådløse aktiveringsknap på maskinen.	Tryk kortvarigt på den trådløse aktiveringsknap, og kontroller, at den trådløse aktiveringslampe blinker blåt.
	Standby-kontakten på støvsugeren er ikke indstillet til "AUTO".	Sæt standby-kontakten på støvsugeren til "AUTO".
	Der er registreret mere end 10 maskiner til støvsugeren.	Udfør maskinregistreringen igen. Hvis der er registreret mere end 10 maskiner til støvsugeren, bliver den maskine, der blev registreret tidligst, automatisk annulleret.
	Støvsugeren har slettet alle maskinregistreringer.	Udfør maskinregistreringen igen.
	Ingen strømforsyning	Tilfør strøm til maskinen og støvsugeren.
	Maskinen og støvsugeren er ikke i nærheden af hinanden (uden for transmissionsafstand).	Flyt maskinen og støvsugeren tættere på hinanden. Den maksimale transmissionsafstand er cirka 10 m, men kan variere afhængigt af forholdene.
	Radiointerferens fra andre apparater, der udsender højintens radiobølger.	Hold maskinen og støvsugeren væk fra apparater som f.eks. Wi-Fi-enheder og mikrobølgeovne.
Støvsugeren kører, mens maskinen ikke er i drift.	Andre brugere anvender den trådløse aktivering af støvsugeren med deres maskiner.	Deaktiver den trådløse aktiveringsknap på de andre maskiner, eller annuller maskinregistreringen af de andre maskiner.

VEDLIGEHOELSE

▲FORSIGTIG: Vær altid sikker på, at værktøjet er slukket, og at akkuen er taget ud, inden De begynder at udføre inspektion eller vedligeholdelse.

BEMÆRKNING: Anvend aldrig benzin, rensbenzin, fortynder, alkohol og lignende. Det kan medføre misfarvning, deformation eller revner.

Før at opretholde produktets SIKKERHED og PÅLIDELIGHED må reparation, vedligeholdelse eller justering kun udføres af et autoriseret Makita servicecenter eller fabrikksservicecenter med anvendelse af Makita reservedele.

Rengøring af ventilationsåbninger

Maskinen og dens ventilationsåbninger skal altid holdes rene. Rengør maskinens ventilationsåbninger med jævne mellemrum eller når ventilationsåbningerne begynder at blive tilstoppede.

► **Fig.50:** 1. Udstødningsåbning 2. Indsugningsåbning

Fjern støvdækslet fra indsugningsåbningen, og rengør det for uhindret luftcirkulation.

► **Fig.51:** 1. Støvdæksel

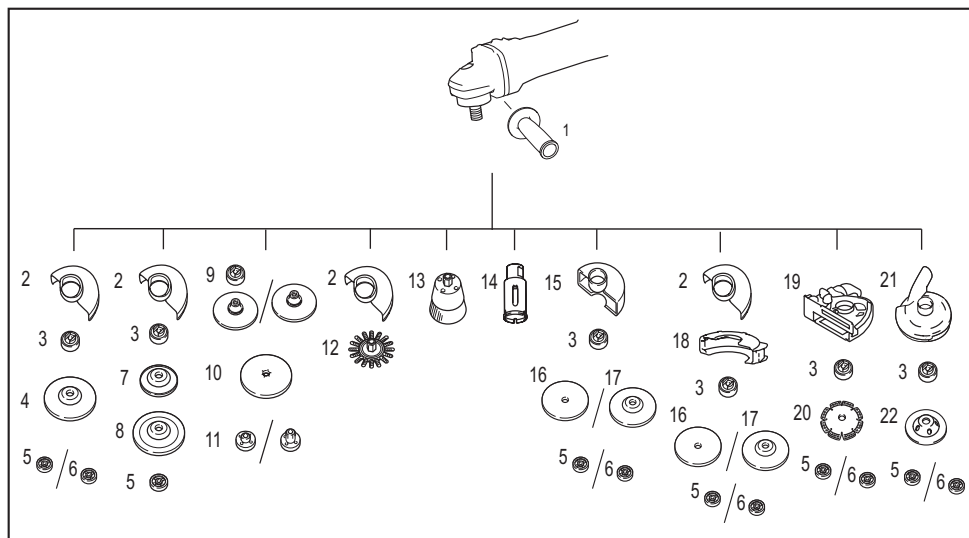
BEMÆRKNING: Rengør støvdækslet, når det er tilstoppet med støv eller fremmedlegemer. Fortsat brug med et tilstoppet støvdæksel kan beskadige maskinen.

KOMBINATION AF ANVENDELSER OG TILBEHØR

Ekstraudstyr

⚠ FORSIGTIG: Brug af maskinen med forkerte skærme kan forårsage risici som følger.

- Når der anvendes en skærm til afskæringsskive til overfladeslibning, kan beskyttelsesskærmen muligvis påvirke arbejdsemnet og forårsage dårlig kontrol.
- Når der anvendes en beskyttelsesskærm til slibning til afskæring med limede slibeskiver og diamanter, er der en forøget risiko for eksponering for roterende skiver, udsendte gnister og partikler, såvel som eksponering for skivefragmenter i tilfælde af skivebrud.
- Når der anvendes en skærm til afskæringsskive eller beskyttelsesskærm til slibning til overfladepgaver med diamanter af koptypen, kan beskyttelsesskærmen muligvis påvirke arbejdsemnet og forårsage dårlig kontrol.
- Når der anvendes en skærm til afskæringsskive eller beskyttelsesskærm til slibning med en trådbørste af skivetyper med en tykkelse, som overstiger den maksimale tykkelse, der er angivet i "SPECIFIKATIONER", kan trådene muligvis sætte sig fast i skærmen og medføre afbrækning af tråde.
- Brug af beskyttelsesskærme til støvopsamling til afskærings- og overfladepgaver i beton eller murværk reducerer risikoen for eksponering for støv.
- Når der anvendes flangemonterede skiver med dobbelt formål (kombineret slibning og slibefskæring), skal der kun anvendes en skærm til afskæringsskive.



-	Anvendelse	100 mm model	115 mm model	125 mm model
1	-	Sidehåndtag		
2	-	Beskyttelsesskærm (til slibeskive)		
3	-	Indvendig flange	Indvendig flange / Superflange *1*2	
4	Slibning/sandslibning	Forsænket centerskive / bladdisk		
5	-	Låsemøtrik		

-	Anvendelse	100 mm model	115 mm model	125 mm model
6	-	-	Ezynut *1*3	
7	-	Bagskive		
8	Slibning	Flex-skive		
9	-	Indvendig flange og gummipude 76	Gummipude 100	Gummipude 115
10	Sandslibning	Slibedisk		
11	-	Sandslibelåsemøtrik		
12	Trådbørstning	Trådskeivebørste		
13	Trådbørstning	Trådkopbørste		
14	Hulskæring	Hulskærer		
15	-	Beskyttelsesskærm (til afskæringsskive)		
16	Afskæring	Slibende afskæringsskive / diamantskive		
17	Slibning/afskæring	Skive til dobbelt formål		
18	-	Clip-on-tilbehør til beskyttelsesskærm til skæring *4		
19	-	Beskyttelsesskærm til støvopsamling til afskæring *5		
20	Afskæring	Diamantskive		
21	-	-	Beskyttelsesskærm til støvopsamling til slibning *6	
22	Slibning	-	Diamantskive af koptypen *6	
-	-	Låsemøtriknøgle		

BEMÆRK: *1 Brug ikke Superflangen og Ezynut sammen.

BEMÆRK: *2 Brug ikke Superflangen med en sliber udstyret med en bremsefunktion.

BEMÆRK: *3 Kun for maskiner med M14-spindelgevind.

BEMÆRK: *4 Clip-on-tilbehør til beskyttelsesskærm til skæring er ikke til rådighed i visse lande. Se i brugsanvisningen til clip-on-tilbehøret til beskyttelsesskærm til skæring for flere detaljer.

BEMÆRK: *5 For yderligere oplysninger henvises til hver enkelt brugsanvisning til skærmen.

BEMÆRK: *6 Kun for model GA028G / GA029G / GA031G / GA032G

For yderligere oplysninger henvises til hver enkelt brugsanvisning til skærmen.

EKSTRAUDSTYR

⚠FORSIGTIG: Det følgende tilbehør og ekstraudstyr er anbefalet til brug med Deres Makita maskine, der er beskrevet i denne brugsanvisning. Anvendelse af andet tilbehør eller ekstraudstyr kan udgøre en risiko for personskade. Anvend kun tilbehør og ekstraudstyr til det beskrevne formål.

Hvis De behøver hjælp ved valg af tilbehør eller ønsker yderligere informationer, bedes De kontakte Deres lokale Makita servicecenter.

- Original Makita-akku og oplader
- Tilbehør angivet i "KOMBINATION AF ANVENDELSER OG TILBEHØR"
- Trådløs enhed (for modeller med trådløs aktiveringsfunktion)

BEMÆRK: Nogle ting på denne liste kan være inkluderet i værktøjsspakken som standardtilbehør. Det kan være forskellige fra land til land.

SPECIFIKĀCIJAS

Modelis:		GA027G	GA028G	GA029G	GA030G	GA031G	GA032G
Piemērotā slīpriņa	Maks. slīpriņas diametrs	100 mm	115 mm	125 mm	100 mm	115 mm	125 mm
	Maks. slīpriņas biezums	6,4 mm	7,2 mm	6,4 mm	7,2 mm		
Piemērotā griešanas ripa	Maks. slīpriņas diametrs	105 mm	115 mm	125 mm	105 mm	115 mm	125 mm
	Maks. slīpriņas biezums	3,2 mm					
Piemērotā stieplu sukuņa ripa	Maks. slīpriņas diametrs	100 mm	115 mm	125 mm	100 mm	115 mm	125 mm
	Maks. slīpriņas biezums	20 mm					
Vārpstas vītne		M10	M14 vai 5/8" (atkarībā no valsts)	M10	M14 vai 5/8" (atkarībā no valsts)		
Maks. vārpstas garums		18 mm	23 mm	18 mm	23 mm		
Ātrums bez slodzes (n ₀) / nominālais ātrums (n)		9 000 min ⁻¹					
Kopējais garums	ar BL4025	413 mm					
	ar BL4040	425 mm					
Tīrsvars		2,8–5,2 kg	3,0–5,4 kg	2,8–5,2 kg	2,9–5,3 kg		
Nominālais spriegums		Līdzstrāva 36 V–40 V maks.					

- Nepārtrauktās izpētes un izstrādes programmas dēļ šeit uzrādītās specifikācijas var tikt mainītas bez brīdinājuma.
- Atkarībā no valsts specifikācijas var atšķirties.
- Svārs var būt atšķirīgs atkarībā no papildierīces(-ēm), tostarp akumulatora kasetnes. Tabulā ir attēlota vieglākā un smagākā kombinācija.

Piemērotā akumulatora kasetne un lādētājs

Akumulatora kasetne	BL4020 / BL4025* / BL4040* / BL4040F* / BL4050F* / BL4080F* *: Ieteicamais akumulators
Lādētājs	DC40RA / DC40RB / DC40RC / DC40WA / BCC01 / BCC02

- Daži no iepriekš norādītajiem lādētājiem un akumulatora kasetnēm var nebūt pieejami atkarībā no jūsu mītnes reģiona.

BRĪDINĀJUMS: Izmantojiet vienīgi iepriekš norādītās akumulatora kasetnes un lādētājus. Cita tipa akumulatora kasetņu un lādētāju izmantošana var radīt traumu un/vai aizdegšanās risku.

Ieteicamais ar vadu savienojamais barošanas avots

Pārnēsājams barošanas bloks	PDC01 / PDC1200 / PDC1500
-----------------------------	---------------------------

- Iepriekš norādītais (-ie) ar vadu savienojamais (-ie) barošanas avots (-i) var nebūt pieejams (-i) atkarībā no jūsu mītnes reģiona.
- Pirms izmantojat ar vadu savienojamo barošanas avotu, izlasiet instrukcijas un uz tā redzamos brīdinājumus.

Simboli

Tālāk ir attēloti simboli, kas var attiekties uz darbarīka lietošanu. Pirms darbarīka izmantošanas pārliecinieties, vai pareizi izprotat to nozīmi.



Vienmēr strādājiet, turot darbarīku ar abām rokām.



Neizmantojiet ripas aizsargu nozāģēšanas darbībām.



Izlasiet lietošanas rokasgrāmatu.



Lietojiet acu aizsarglīdzekļus.



Tikai ES valstīm

Tā kā šajā aprīkojumā ir bīstamas sastāvdaļas, elektrisko un elektronisko iekārtu, akumulatoru un bateriju atkritumi var negatīvi ietekmēt apkārtējo vidi un cilvēka veselību.

Elektroierīces, elektroniskās ierīces un akumulatorus nedrīkst izmest kopā ar mājsaimniecības atkritumiem!

Saskaņā ar Eiropas direktīvu par elektrisko un elektronisko iekārtu atkritumiem, akumulatoriem un baterijām, kā arī akumulatoru un bateriju atkritumiem un šīs direktīvas pielāgošanu valsts tiesību aktiem elektrisko un elektronisko iekārtu, bateriju un akumulatoru atkritumi ir jāglabā atsevišķi un jānogādā uz sadzīves atkritumu dalītās savākšanas vietu, ievērojot attiecīgos vides aizsardzības noteikumus.

Par to liecina uz iekārtas redzams simbols ar pārsvītrotu atkritumu konteineru uz riteņiem.

Paredzētā lietošana

Šis darbarīks ir paredzēts metāla un akmens materiālu slīpēšanai, apstrādei ar stieplu suku, caurumu izgriešanai un griešanai bez ūdens izmantošanas.

Trokšņa līmenis

Tipiskais A svērtais trokšņa līmenis noteikts saskaņā ar EN62841-2-3:

Modelis	Skaņas spiediena līmenis (L _{PA}): (dB(A))	Skaņas jaudas līmeni (L _{WA}): (dB(A))	Nonoteiktība (K): (dB(A))
GA027G	84	92	3
GA028G	84	92	3
GA029G	85	93	3
GA030G	84	92	3
GA031G	84	92	3
GA032G	85	93	3

PIEZĪME: Paziņotā trokšņa emisijas vērtība noteikta atbilstoši standarta pārbaudes metodei, un to var izmantot, lai salīdzinātu vienu darbarīku ar citu.

PIEZĪME: Paziņoto trokšņa emisijas vērtību arī var izmantot iedarbības sākotnējā novērtējumā.

▲BRĪDINĀJUMS: Lietojiet ausu aizsargus.

▲BRĪDINĀJUMS: Trokšņa emisija patiesos darba apstākļos var atšķirties no paziņotās vērtības atkarībā no darbarīka izmantošanas veida un jo īpaši atkarībā no apstrādājamā materiāla veida.

▲BRĪDINĀJUMS: Lai aizsargātu lietotāju, nosakiet drošības pasākumus, kas pamatoti ar iedarbību reālos darba apstākļos (ņemot vērā visus ekspluatācijas cikla posmus, piemēram, laiku, kamēr darbarīks ir izslēgts un kad darbojas tukšgaitā, kā arī palaišanas laiku).

▲BRĪDINĀJUMS: Plānu metāla plāksņu vai citu viegli vibrējošu materiālu ar lielu virsmu slīpēšana var radīt kopējo trokšņa emisiju, kas ir daudz lielāka (līdz 15 dB) nekā deklarētās trokšņa emisijas vērtības.

Lai novērstu trokšņa emisijas no šādiem apstrādājamajiem materiāliem, izmantojiet smagus, elastīgus slāpējošos pārklājumus vai ko tamlīdzīgu.

Ņemiet vērā palielināto trokšņa emisiju, gan novērtējot risku saistībā ar trokšņa iedarbību, gan izvēloties atbilstošus dzirdes aizsarglīdzekļus.

Vibrācija

Vibrācijas kopējā vērtība (trīsasu vektora summa) noteikta atbilstoši EN62841-2-3:

Darba režīms: virsmas slīpēšana ar parastu sānu rokturi

Modelis	Vibrācija (a _h , a _G): (m/s ²)	Nonoteiktība (K): (m/s ²)
GA027G	4,5	1,5
GA028G	5,0	1,5
GA029G	6,0	1,5
GA030G	4,5	1,5

Modelis	Vibrācija ($a_{hv, AG}$): (m/s^2)	NeNOTEIKTĪBA (K): (m/s^2)
GA031G	5,0	1,5
GA032G	6,0	1,5

Darba režīms: virsmas slīpēšana ar antivibrācijas sānu rokturi

Modelis	Vibrācija ($a_{hv, AG}$): (m/s^2)	NeNOTEIKTĪBA (K): (m/s^2)
GA027G	4,5	1,5
GA028G	5,0	1,5
GA029G	6,5	1,5
GA030G	4,5	1,5
GA031G	5,0	1,5
GA032G	6,5	1,5

Darba režīms: slīpēšana ar disku ar parastu sānu rokturi

Modelis	Vibrācijas emisija ($a_{hv, DS}$): (m/s^2)	NeNOTEIKTĪBA (K): (m/s^2)
GA027G	2,5 m/s^2 vai mazāk	1,5
GA028G	2,5	1,5
GA029G	3,0	1,5
GA030G	2,5 m/s^2 vai mazāk	1,5
GA031G	2,5	1,5
GA032G	3,0	1,5

Darba režīms: slīpēšana ar disku ar antivibrācijas sānu rokturi

Modelis	Vibrācijas emisija ($a_{hv, DS}$): (m/s^2)	NeNOTEIKTĪBA (K): (m/s^2)
GA027G	2,5 m/s^2 vai mazāk	1,5
GA028G	2,5	1,5
GA029G	3,0	1,5
GA030G	2,5 m/s^2 vai mazāk	1,5
GA031G	2,5	1,5
GA032G	3,0	1,5

PIEZĪME: Paziņotā kopējā vibrācijas vērtība noteikta atbilstoši standarta pārbaudes metodei, un to var izmantot, lai salīdzinātu vienu darbarīku ar citu.

PIEZĪME: Paziņoto kopējo vibrācijas vērtību arī var izmantot iedarbības sākotnējā novērtējumā.

▲BRĪDINĀJUMS: Vibrācijas emisija patiesos darba apstākļos var atšķirties no paziņotās vērtības atkarībā no darbarīka izmantošanas veida un jo īpaši atkarībā no apstrādājamā materiāla veida.

▲BRĪDINĀJUMS: Lai aizsargātu lietotāju, nosakiet drošības pasākumus, kas pamatoti ar iedarbību reālos darba apstākļos (ņemot vērā visus ekspluatācijas cikla posmus, piemēram, laiku, kamēr darbarīks ir izslēgts un kad darbojas tukšgaitā, kā arī palaišanas laiku).

▲BRĪDINĀJUMS: Paziņoto vibrācijas emisijas vērtību izmanto galvenajām mehanizētā darbarīka darbībām. Taču, ja darbarīku izmanto citām darbībām, vibrācijas emisijas vērtība var būt atšķirīga.

Atbilstības deklarācijas

Tikai Eiropas valstīm

Atbilstības deklarācijas šajā lietošanas rokasgrāmatā ir iekļautas kā A pielikums.

DROŠĪBAS BRĪDINĀJUMI

Vispārīgi elektrisko darbarīku drošības brīdinājumi

▲BRĪDINĀJUMS Izlasiet visus drošības brīdinājumus, norādījumus un tehniskos datus un izpētiat ilustrācijas, kas iekļautas šā elektriskā darbarīka komplektā. Neievērojot visus tālāk minētos noteikumus, iespējams elektriskās strāvas triecienu, aizdegšanās un/vai smagu traumu risks.

Glabājiet visus brīdinājumus

un norādījums, lai varētu tajos ieskatīties turpmāk.

Termins „elektrisks darbarīks” brīdinājumus attiecas uz tādu elektrisko darbarīku, ko darbina ar elektrību (ar vadu), vai tādu, ko darbina ar akumulatoru (bez vada).

Drošības brīdinājumi bezvadu slīpmašīnas lietošanai

Drošības brīdinājumi, kas vienādi attiecas uz slīpēšanas, smalkās slīpēšanas, stieplu sukas tīrīšanas vai griešanas darbībām.

1. **Šo elektrisko darbarīku paredzēts izmantot slīpēšanai, smalkai slīpēšanai, tīrīšanai ar stieplu suku, caurumu izgriešanai vai griešanai. Izlasiet visus drošības brīdinājumus, norādes un tehniskos datus un izpētiēt ilustrācijas, kas iekļautas šā elektriskā darbarīka komplektā. Neievērojot visus tālāk minētos noteikumus, iespējams elektriskās strāvas triecienu, aizdegšanās un/vai smagu traumu risks.**
2. **Ar šo elektrisko darbarīku nedrīkst veikt tādas darbības kā pulēšana. Tādu darbību veikšana, kam šis elektriskais darbarīks nav paredzēts, var būt bīstama un radīt traumas.**
3. **Nepārveidojiet šo darbarīku tādu darbību veikšanai, kurām ražotājs to nav konstruējis un konkrēti norādījis. Šāda pārveide var izraisīt kontroles zaudēšanu un radīt smagus ievainojumus.**
4. **Drīkst lietot tikai darbarīka ražotāja īpaši izgatavotos un norādītos piederumus. Tas vien, ka piederumu var piestiprināt elektriskajam darbarīkam, negarantē drošu lietošanu.**
5. **Piederuma nominālajam ātrumam jābūt vismaz identiskam ar maksimālo ātrumu, kas atzīmēts uz elektriskā darbarīka. Piederumi, kas griežas ātrāk par nominālo ātrumu, var salūzt un tikt izsviesti.**
6. **Piederuma ārējam diametram un biežumam jābūt elektriskā darbarīka jaudas robežās. Nepareiza izmēra piederumus nav iespējams pietiekami uzmanīt vai vadīt.**
7. **Piederuma stiprināšanas izmēram jāatbilst elektriskā darbarīka stiprinājumiem. Piederumi, kas neatbilst elektriskā darbarīka stiprinājumiem, kļūs nestabili, pārmērīgi vibrēs un var izraisīt vadības zaudēšanu.**
8. **Neizmantojiet bojātu piederumu. Pirms katras lietošanas reizes pārbaudiet, vai piederumos, piemēram, abrazīvajās ripās, nav plaisu, pīsumu, vai atbalsta plāksne nav saplaisājusī, saplēsta vai pārmērīgi nolietota un stieplu sukā nav vaļiņu vai salūzušu stieplu. Ja elektriskais darbarīks vai piederums nokrīt, pārbaudiet, vai tam nav radušies bojājumi, vai arī uzstādiēt nebojātu piederumu. Pēc piederuma pārbaudes un uzstādīšanas lietotājam un visiem apkārtējiem jānosaka tā, lai tie nebūtu rotējošā piederuma rotācijas plaknes līnijā, un tad vienu minūti darbiniet elektrisko darbarīku bez slodzes ar maksimālo ātrumu. Bojāti piederumi šādas pārbaudes laikā parasti salūst.**
9. **Izmantojiet individuālos aizsarglīdzekļus. Atkarībā no veicamā darba valkājiet sejas**

aizsargu, aizsargbrilles vai brilles. Ja nepieciešams, valkājiet putekļu masku, ausu aizsargus, cimdus un darba priekšautu, kas aiztur mazas abrazīvas vai materiāla daļiņas. Acu aizsardzības aprīkojumam jāspēj aizturēt lidojošus gruzus, kas rodas dažādu darbu veikšanas laikā. Putekļu maskai vai respiratoram jāaiztur attiecīgās darbības laikā radušās daļiņas. Ilgstoši pakļaujot sevi ļoti intensīvam troksnim, var rasties dzirdes zudums.

10. **Gādājiet, lai apkārtējie atrastos drošā attālumā no darba vietas. Ikvienam, kas atrodas darba zonā, jāizmanto individuālie aizsarglīdzekļi. Apstrādājamā materiāla vai bojāta piederuma daļiņas var tikt izsviestas un traumēt cilvēkus darba vietas tuvumā.**
11. **Veicot darbības, kuru laikā griešanas instruments var pieskarties slēptam vadam, turiet elektrisko darbarīku tikai aiz izolētajām satvēršanas virsmām. Saskare ar vadu zem sprieguma var nodot spriegumu elektriskā darbarīka metāla daļām, un operators var saņemt elektriskās strāvas triecienu.**
12. **Nekādā gadījumā elektrisko darbarīku nedrīkst nolikt malā, pirms tas nav pavisam apstājies. Rotējošais piederums var aizķert virsmu un izraut elektrisko darbarīku no rokām.**
13. **Elektrisko darbarīku nedrīkst darbināt, kamēr to pārnēsā. Ja apgērbs nejausi pieskaras rotējošajam piederumam, tas var tikt satverts, iespējot piederumu miesā.**
14. **Regulāri tīriet elektriskā darbarīka ventilācijas atveres. Motora ventilatorus ievēl putekļus korpusā, un pārmērīga silti metāla daļiņu uzkrāšanās var izraisīt elektrosistēmas bojājumus.**
15. **Elektrisko darbarīku nedrīkst darbināt ugunsnedrošu materiālu tuvumā. Dzirksteles var aizdedzināt šos materiālus.**
16. **Nelietojiet tādus piederumus, kam vajadzīgi dzesēšanas šķidrums. Lietojot ūdeni vai citus dzesēšanas šķidrumus, var gūt nāvējošu elektrotraumu vai elektriskās strāvas triecienu.**

Atsitiens un ar to saistīti brīdinājumi

Atsitiens ir pēkšņa reakcija uz rotējošās ripas, balsta plāksnes, sukas vai kāda cita piederuma iespēšanu vai aizķeršanos. Iespēšana vai aizķeršanās izraisa pēkšņu rotējošā piederuma apstāšanos, kas savukārt saskares brīdī izraisa nevadāmu elektriskā darbarīka grūdienu pretēji tā rotācijas virzienam.

Ja abrazīvā ripa, piemēram, aizķeras vai iesprūst apstrādājamajā materiālā, slīpripas mala, kas nokļūst iespēšanas vietā, var iespēsties materiāla virsmā, liekot slīpripai izrauties vai atlēkt. Slīpripa saskares brīdī var izlēkt operatora virzienā vai prom no viņa atkarībā no slīpripas kustības virziena iespēšanas brīdī. Šādos gadījumos abrazīvās slīpripas var arī salūzt. Atsitiens rodas darbarīka nepareizas lietošanas un/vai nepareizas darbības vai apstākļu rezultātā, un no tā var izvairīties, veicot piemērotus drošības pasākumus, kā norādīts tālāk.

1. **Cieši turiet darbarīku ar abām rokām un novietojiet ķermeni un rokas tā, lai pretotos atsitienu spēkam. Lai maksimāli kontrolētu atsitienu vai griezes momentu iedarbināšanas laikā, vienmēr lietojiet palīgrokturi, ja tāds ir. Operators var savaldīt griezes momenta reakciju**

vai atsitienu spēku, ja veic atbilstošus piesardzības pasākumus.

2. **Nekad nenovietojiet roku rotējošā piederuma tuvumā.** Piederums var radīt atsitienu un trāpīt rokai.
3. **Neviena jūsu ķermeņa daļa nedrīkst atrasties ceļā, kur atsitienu gadījumā pārvietosies elektriskais darbarīks.** Atsitiens ieķeršanās gadījumā grūz darbarīku no ieķeršanās vietas slīpripas kustībai pretējā virzienā.
4. **Ar īpašu piesardzību apstrādājiet stūrus, asas malas utt. Neleciniet un neraustiet piederumu.** Stūri, asas malas vai darbarīka atliecieni var ietekmēt rotējošā piederuma kustību un izraisīt kontroles zaudēšanu pār darbarīku vai atsitienu rašanos.
5. **Nepiestipriniet zāģa ķēdes kokgriešanas asmeni, segmentētu dimanta ripu ar aploces rievu, kas lielāka par 10 mm, vai zobaino zāģa asmeni.** Šādi asmeņi izraisa biežus atsitienu un vadības zaudēšanu.

Drošības brīdinājumi tieši slīpēšanas un griešanas darbībām

1. **Izmantojiet tikai savam elektriskajam darbarīkam ieteicamos ripu veidus un katrai izvēlētajai ripai paredzēto aizsargu.** Ripas, kas nav paredzētas elektriskajam darbarīkam, nevar pienācīgi aizsargāt, tāpēc tās nav drošas.
2. **Ripas ar ieliektu centru stiprinājumam jāatrodas zemāk par aizsargatloka malu.** Nepareizi piestiprināta ripa, kas izvirzās no aizsargatloka malas plaknes, nav pietiekami aizsargājama.
3. **Aizsargam jābūt stingri piestiprinātam pie elektriskā darbarīka un novietotam maksimālai drošībai, lai operatora virzienā būtu atsegta pēc iespējas mazāka ripas daļa.** Aizsargs palīdz aizsargāt operatoru no salūzušas ripas daļām un nejaušas saskares ar slīpripu un dzirkstelēm, kas var aizdedzināt apģērbu.
4. **Ripas jāizmanto tikai tām paredzētajiem darbiem. Piemēram: neslīpējiet ar griešanas ripas malu.** Abrazīvas griešanas ripas paredzētas perifērai slīpēšanai, tāpēc, ja uz šīm ripām iedarbojas sānu spēks, tās var salūzt.
5. **Vienmēr izmantojiet nebojātus atlokus, kas atbilst izvēlētas ripas izmēram un formai.** Atbilstoši ripas atloki balsta ripu, tādējādi samazinot tās salūšanas iespēju. Nogriešanas ripu atloki var atšķīrties no slīpēšanai paredzēto ripu atlokiem.
6. **Neizmantojiet nodilušas lielāku elektrisko darbarīku ripas.** Lielākiem elektriskajiem darbarīkiem paredzētās ripas nav piemērotas mazāka darbarīka lielākajam ātrumam, tās var sabrukt.
7. **Lietojot divu funkciju ripas, vienmēr izmantojiet veicamajai darbībai atbilstošo aizsargu.** Neizmantojot pareizo aizsargu, tas var nenodrošināt vajadzīgo aizsardzības līmeni, izraisot smagus ievainojumus.

Papildu drošības brīdinājumi tieši griešanas darbībām.

1. **Neļaujiet griešanas ripai iesprūst un nelietojiet pārmērīgu spēku. Negrieziet pārāk dziļi.** Ripas pārslodzēšana palielina slodzi, ripas sašķiešanas vai ieķeršanas griezumā un atsitienu vai slīpripas

salūšanas iespējamību.

2. **Neostājieties vienā trajektorijas līnijā ar rotējošo ripu vai aiz tās.** Kad darba laikā ripas pārvietojas virzienā prom no jūsu ķermeņa, iespējams atsitiens var grūst rotējošo ripu un elektrisko darbarīku tieši jūsu virzienā.
3. **Ja ripa iesprūst vai kad kāda iemesla dēļ griešana tiek pārtraukta, izslēdziet elektrisko darbarīku un turiet to nekustīgi, līdz ripa apstājas pilnībā. Nekādā gadījumā nemēģiniet izņemt griezējipri no griezuma, kad ripa vēl griežas, lai netiktu izraisīts atsitiens.** Pārbaudiet un veiciet attiecīgus pasākumus, lai novērstu ripas iesprūšanas cēloņus.
4. **Neatsāciet griešanu, darbarīkam atrodoties apstrādājamajā materiālā.** Ļaujiet slīpripai sasniegt pilnu ātrumu un tad vēlreiz uzmanīgi ievietojiet to griezumā. Slīpripa var ieķerties, izvirzīties augšup vai atlēkt, ja elektriskais darbarīks tiek atkal iedarbināts, atrodoties apstrādājamajā materiālā.
5. **Atbalstiet paneļus un visus lielos apstrādājamos materiālus, lai samazinātu slīpripas iesprūšanas un atsitienu bīstamību.** Lieli apstrādājami materiāli bieži vien ieliecās sava svara dēļ. Balsti jānovieto zem apstrādājamā materiāla abās slīpripas pusēs, griezuma līnijas tuvumā un tuvu apstrādājamajam materiāla malai.
6. **Ievērojiet īpašu piesardzību, veicot „nišas griezumus” jau esošās sienās vai citās aizsegtās vietās.** Caururbjošā slīpripa var pārgriezt gāzes vai ūdens caurules, elektrības vadus vai priekšmetus, kas var izraisīt atsitienu.
7. **Grieziet tikai taisnā līnijā.** Ripas pārslodzēšana palielina slodzi, ripas sašķiešanas vai ieķeršanas griezumā un atsitienu vai slīpripas salūšanas iespējamību, kas var izraisīt smagus ievainojumus.
8. **Pirms segmentētas dimanta ripas izmantošanas pārbaudiet, vai dimanta ripas aploces rievā starp segmentiem ir 10 mm vai mazāka, tikai ar negatīvu slīpuma leņķi.**

Drošības brīdinājumi tieši smalkajai slīpēšanai

1. **Izmantojiet atbilstošu izmēra smilšpapīra disku.** Izvēloties smilšpapīru smalkajai apstrādei, ievērojiet ražotāja ieteikumus. Par slīpēšanas pamatni ievērojami lielāks smilšpapīrs rada iegriezumu risku un var izraisīt smilšpapīra diska aizķeršanos, saplīšanu vai atsitienu.

Drošības brīdinājumi apstrādei ar stieplu suku

1. **Ņemiet vērā, ka stieplu sari tiek izviesti no sukas pat parastās darbības laikā.** Nepārslodzējiet stieples, piemērojot sukai pārmērīgu spēku. Stieplu sari var viegli caurdurt plānu apģērbu un/vai ādu.
2. **Ja apstrādei ar stieplu suku norādīts izmantot aizsargu, nepieļaujiet stieplu ripas vai sukas saskari ar aizsargu.** Darba slodzes un centrēšanas spēku iedarbībā stieplu ripai vai sukai var palielināties diametrs.

Papildu drošības brīdinājumi:

1. **Lietojot slīpripas ar ieliektu jeb iedzīlīnātu centru, noteikti izmantojiet tikai slīpripas ar stikla šķiedras armatūru.**

2. Šai slīpmašīnai NEKAD NEUZSTĀDIET kausveida akmens ripu. Šī slīpmašīna nav paredzēta šāda veida ripām, un to izmantošana var radīt smagas traumas.
3. Uzmanieties, lai nesabojātu vārpstu, atloku (it īpaši uzstādīšanas virsmu) un kontruzgriezni. Šo detaļu bojājums var izraisīt ripas salūšanu.
4. Pārļiecinieties, ka slīpriņa nepieskaras apstrādājamajai virsmai pirms slēdža ieslēgšanas.
5. Pirms lietot darbarīku materiāla apstrādei, īslaicīgi darbiniet to bez slodzes. Pievērsiet uzmanību tam, vai nav novērojama vibrācija vai svārstības, kas var norādīt uz nekvalitatīvu uzstādīšanu vai nepareizi līdzsvarotu slīpriņu.
6. Lai slīpētu, izmantojiet tam paredzēto slīpriņas virsmu.
7. Neatstājiet darbarīku ieslēgtu. Darbiniet darbarīku vienīgi tad, ja turat to rokās.
8. Neskarieties pie apstrādājamas detaļas tūlīt pēc darba izpildes; tā var būt ārkārtīgi karsta un apdedzināt ādu.
9. Nepieskarieties piederumiem tūlīt pēc darba izpildes; tie var būt ārkārtīgi karsti un apdedzināt ādu.
10. Ievērojiet ražotāja norādījumus par pareizu ripu un piederumu montāžu un izmantošanu. Nepareiza montāža un lietošana var izraisīt traumas.
11. Rīkojieties ar slīpripām uzmanīgi un glabājiet tās rūpīgi.
12. Neizmantojiet atsevišķus samazinošus ieliktņus vai pārejas, lai pielāgotu abrazīvās slīpripas ar liela diametra atveri.
13. Izmantojiet tikai šim darbarīkam paredzētus atlokus.
14. Darbarīkiem, kuri paredzēti lietošanai ar vītņotu slīpripu, pārļiecinieties, ka slīpripas vītņnes garums atbilst vārpstas garumam.
15. Pārbaudiet, vai apstrādājamā detaļa ir pienācīgi atbalstīta.
16. Nemiet vērā, ka slīpriņa turpina griezties arī pēc darbarīka izslēgšanas.
17. Ja darba vietā ir ārkārtīgi augsta temperatūra un liels mitrums, vai tā ir stipri piesārņota ar vadītspējīgiem putekļiem, izmantojiet īssavienojuma pārtraucēju (30 mA), lai garantētu operatora drošību.
18. Neizmantojiet darbarīku tādu materiālu apstrādei, kas satur azbestu.
19. Lietojot griezējripas, vienmēr izmantojiet ripas aizsargu ar putekļu savācēju, ja to prasa vietējie normatīvie akti.
20. Griešanas ripas nedrīkst pakļaut jebkādam sānu spiedienam.
21. Strādājot nelietojiet auduma darba cimdus. Šķiedras no auduma cimdiem var iekļūt darbarīkā, izraisot darbarīka bojājumus.
22. Pirms darba uzsākšanas pārļiecinieties, vai darbības zonā nav aprakts kāds objekts, piemēram, elektriskā caurule, ūdens caurule vai gāzes caurule. Tie var izraisīt elektrotriecienu, elektriskās strāvas vai gāzes noplūdi.
23. Ja ripai ir pievienota amortizējošā paplāksne, neņemiet to nost. Amortizējošās paplāksnes

diametram jābūt lielākam par kontruzgriezni, ārējo atloku un iekšējo atloku.

24. Pirms slīpripas uzstādīšanas vienmēr pārbaudiet, vai paplāksnes daļai nav defektu, piemēram, atskabargu vai plaisu.
25. Pareizi pievelciet kontruzgriezni. Pārmērīga ripas pievilksana var izraisīt tās salūšanu, un nepietiekama pievilksana var izraisīt vibrācijas.

SAGLABĀJIET ŠOS NORĀDĪJUMUS.

▲BRĪDINĀJUMS: NEPIEĻAUJIET to, ka labu iemaņu vai izstrādājuma labas pārzināšanas (darbarīku atkārtoti ekspluatējot) rezultātā vairs stingri neievērojāt šī izstrādājuma drošības noteikumus. NEPAREIZI LIETOJOT darbarīku vai neievērojot šajā instrukciju rokasgrāmatā minētos drošības noteikumus, var tikt gūtas smagas traumas.

Svarīgi drošības norādījumi par akumulatora kasetni

1. Pirms akumulatora lietošanas izlasiet visus norādījumus un brīdinājumus, kuri attiecas uz (1) akumulatora lādētāju, (2) akumulatoru un (3) ierīci, kurā tiek izmantots akumulators.
2. Akumulatora kasetni nedrīkst ne pārveidot, ne izjaukt. Citādi var tikt izraisīta aizdegšanās, pārmerīgs karstums vai sprādziens.
3. Ja akumulatora darbības laiks kļuva ievērojami īsāks, nekavējoties pārtrauciet to izmantot. Citādi, tas var izraisīt pārkarsējumu, uzliesmojumu vai pat sprādzienu.
4. Ja elektrolīts nonāk acīs, izskalojiet tās ar tīru ūdens un nekavējoties griezties pie ārsta. Tas var izraisīt redzes zaudēšanu.
5. Neradiet īssavienojumu akumulatora kasetnē:
 - (1) Nepieskarieties spaiļēm ar elektrību vadošiem materiāliem.
 - (2) Neuzglabājiet akumulatoru kasetni kopā ar citiem metāla priekšmetiem, tādiem kā naglas, monētas u. c.
 - (3) Nepakļaujiet akumulatora kasetni ūdens vai lietus iedarbībai.
 Akumulatora īssavienojums var radīt spēcīgu strāvas plūsmu, pārkarsānu, uzliesmojumu un pat sabojāt akumulatoru.
6. Neglabājiet neizmantojiet darbarīku un akumulatora kasetni vietās, kur temperatūra var sasniegt vai pārsniegt 50 °C (122 °F).
7. Nededziniet akumulatora kasetni, pat ja tā ir stipri bojāta vai pilnībā nolietota. Akumulatora kasetne uguni var eksplodēt.
8. Akumulatora kasetni nedrīkst naglot, griezt, saspīst, mest vai nomest, kā arī pa to nedrīkst sist ar cietu priekšmetu. Šādas darbības var izraisīt aizdegšanos, pārmerīgu karstumu vai sprādzienu.
9. Neizmantojiet bojātu akumulatoru.
10. Uz izmantotajiem lītiņa jonu akumulatoriem attiecas likumdošanas prasības par bīstamiem izstrādājumiem.

Komerציālā transportēšanā, ko veic, piemēram, trešās puses, transporta uzņēmumi, jāievēro uz iesaiņojuma un marķējuma norādītās īpašās prasības.

Lai izstrādājumu sagatavotu nosūtīšanai, jāsaizina ar bīstamo materiālu speciālistu. Ievērojiet arī citus attiecināmos valsts normatīvus.

Valējus kontaktus nosedziet ar līmlenti vai citādi pārklājiet, bet akumulatoru iesaiņojiet tā, lai sainītas nevarētu izkustēties.

11. **Lai utilizētu akumulatora kasetni, izņemiet to no darbarīka un likvidējiet drošā vietā. Ievērojiet vietējos noteikumus par akumulatora likvidēšanu.**
12. **Izmantojiet šos akumulatorus tikai ar izstrādājumiem, kurus norādījis Makita.** Ievietojot šos akumulatorus nesaderīgos izstrādājumos, var rasties ugunsgrēks, pārmērīgs karstums, tie var uzsprāgt vai no tiem var izteciēt elektrolīti.
13. **Ja darbarīks netiks lietots ilgu laiku, no tā jāizņem akumulators.**
14. **Lietošanas laikā vai pēc tās akumulatora kasetne var uzkrāt siltumu, kas var izraisīt apdegumus vai zemas temperatūras apdegumus. Ar karstu akumulatora kasetni apieties rūpīgi.**
15. **Nepieskarieties darbarīka izvadam uzreiz pēc lietošanas, jo tas var būt sakarsis un izraisīt apdegumus.**
16. **Neļaujiet akumulatora kasetnes spailēs, atverēs un rievās uzkrāties skaidām, putekļiem vai nēftrūmim.** Tas var izraisīt sasilšanu, aizdegšanos, sprādzienu un instrumenta vai akumulatora kasetnes nepareizu darbību, un lietotājs var gūt apdegumus vai ievainojumus.
17. **Neizmantojiet akumulatora kasetni augstsprieguma līniju tuvumā, izņemot gadījumus, kad darbarīks ir piemērots lietošanai augstsprieguma līniju tuvumā.** Citādi darbarīks vai akumulatora kasetne var sākt darboties nepareizi vai tikt sabojāti.
18. **Glabājiet akumulatoru bērnēm nepieejamā vietā.**

SAGLABĀJIET ŠOS NORĀDĪJUMUS.

▲UZMANĪBU: Lietojiet tikai oriģinālos Makita akumulatorus. Ja lietojat neoriģinālus Makita akumulatorus vai pārveidotus akumulatorus, tie var uzsprāgt un izraisīt aizdegšanos, traumas un materiālos zaudējumus. Tiks anulēta arī Makita darbarīka un lādētāja garantija.

Ieteikumi akumulatora kalpošanas laika pagarināšanai

1. **Uzlādējiet akumulatora kasetni, pirms tā ir pilnībā izlādējusies.** Vienmēr, kad ievērojat, ka darbarīka darba jauda zudusi, apturiet darbarīku un uzlādējiet akumulatora kasetni.
2. **Nekad neuzlādējiet pilnībā uzlādētu akumulatora kasetni.** Pārmērīga uzlāde saīsina akumulatora kalpošanas laiku.
3. **Uzlādējiet akumulatora kasetni istabas**

temperatūrā 10 °C - 40 °C. Karstai akumulatora kasetnei pirms uzlādes ļaujiet atdzist.

4. **Kad akumulatora kasetne netiek izmantota, izņemiet to no darbarīka vai lādētāja.**
5. **Uzlādējiet lītija jonu akumulatora kasetni, ja to ilgstoši nelietosit (vairāk nekā sešus mēnešus).**

Svarīgi drošības norādījumi par bezvadu ierīci

1. **Bezvadu ierīci nedrīkst ne pārveidot, ne izjaukt.**
2. **Bezvadu ierīci glabājiet maziem bērniem nepieejamā vietā.** Ja kāds cilvēks nejauši norij kādu no detaļām, nekavējoties jādodas pie ārsta.
3. **Bezvadu ierīci lietojiet tikai kopā ar Makita darbarīkiem.**
4. **Raugiet, lai bezvadu ierīce neatrastos lietū vai mitros apstākļos.**
5. **Bezvadu ierīci nelietojiet vietās, kur temperatūra pārsniedz 50 °C.**
6. **Bezvadu ierīci nelietojiet vietās, kur tuvumā atrodas medicīnas ierīces, piemēram, sirdsdrošības stimulatori.**
7. **Bezvadu ierīci nelietojiet vietās, kur tuvumā atrodas automātiskas ierīces.** Ja lietojat, tad automātisko ierīču darbībā var rasties traucējumi vai kļūdas.
8. **Neizmantojiet bezvadu ierīci vietā, kur ir augsta temperatūra vai var veidoties statiskā elektrība vai elektriskais troksnis.**
9. **Bezvadu ierīce var radīt elektromagnētiskos laukus (EML), bet tie nav lietotājam kaitīgi.**
10. **Bezvadu ierīce ir precīzs instruments.** Uzmanieties, lai bezvadu ierīce nenokristu un nekur neietriektos.
11. **Bezvadu ierīces izvadam nepieskarieties ar kailām rokām vai metāliskiem materiāliem.**
12. **Kad uzstādāt bezvadu ierīci, vienmēr izņemiet darbarīka akumulatoru.**
13. **Verot vaļā atveres pārsegu, izvairieties no vietas, kur atverē var iekļūt putekļi un ūdens.** Atveres ieeju vienmēr turiet tīru.
14. **Bezvadu ierīci vienmēr ievietojiet pareizajā virzienā.**
15. **Bezvadu ierīces bezvadu sistēmas aktivizēšanas pogu nespiediet pārāk stipri un/vai nespiediet pogu ar priekšmetu, kam ir asas malas.**
16. **Lietojot ierīci, vienmēr aizveriet atveres pārsegu.**
17. **Kamēr darbarīks ir pieslēgts pie strāvas, neatvienojiet bezvadu ierīci no atveres.** Ja atvienojat, var rasties traucējumi bezvadu ierīces darbībā.
18. **No bezvadu ierīces nenoplēšiet uzlīmi.**
19. **Uz bezvadu ierīces nelīmējiet nekādas uzlīmes.**
20. **Neatstājiet bezvadu ierīci vietā, kur var veidoties statiskā elektrība vai elektriskais troksnis.**
21. **Bezvadu ierīci neatstājiet vietās, kur varētu būt liels karstums, piemēram, automobiļi, kas atstāts saulē.**
22. **Bezvadu ierīci neatstājiet putekļainā vai ar pulveri nokaisītā vietā vai vietā, kur var rasties**

- kodīga gāze.
23. Pēkšņas temperatūras izmaiņas var radīt mitrumu uz ierīces. Bezvadu ierīci lietojiet tikai tad, kad mitrums pilnībā izžuvis.
 24. Kad tīrāt bezvadu ierīci, uzmanīgi slaukiet to ar sausu, mīkstu drānu. Nelietojiet benzīnu, atšķaidītāju, vadītspējīgas smērvielas vai līdzīgas vielas.
 25. Kad bezvadu ierīci noliekat glabāšanai, ielieciet to komplekta ietvarā vai nestatiskā konteinerā.
 26. Darbarīka atverē ievietojiet tikai Makita bezvadu ierīci.
 27. Neizmantojiet darbarīku, ja tā atveres pārsegs ir bojāts. Ūdens, putekļu un netīrumu iekļūšana atverē var radīt darbības traucējumus.
 28. Bez nepieciešamības nevelciet un/vai negroziet atveres pārsegu. Ja pārsegs atdalās no darbarīka, piestipriniet to.
 29. Ja atveres pārsegs ir pazaudēts vai bojāts, nomainiet to.

SAGLABĀJIET ŠOS NORĀDĪJUMUS.

FUNKCIJU APRAKSTS

▲UZMANĪBU: Pirms darbarīka regulēšanas vai tā darbības pārbaudes vienmēr pārliecinieties, ka darbarīks ir izslēgts un akumulatora kasetne ir izņemta.

Akumulatora kasetnes uzstādīšana un izņemšana

▲UZMANĪBU: Vienmēr pirms akumulatora kasetnes uzstādīšanas vai noņemšanas izslēdziet darbarīku.

▲UZMANĪBU: Uzstādot vai izņemot akumulatora kasetni, darbarīku un akumulatora kasetni turiet cieši. Ja darbarīku un akumulatora kasetni netur cieši, tie var izkrist no rokām un radīt bojājumus darbarīkam un akumulatora kasetnei, kā arī izraisīt ievainojumus.

Lai uzstādītu akumulatora kasetni, salāgojiet akumulatora kasetnes mēlīti ar rievu ietvarā un iebīdīet to vietā. Ievietojiet to līdz galam, līdz tā ar klikšķi nofiksējas. Ja redzams attēlā parādītais sarkanais krāsas indikators, tas nozīmē, ka tas nav pilnīgi nofiksēts.

Lai izņemtu akumulatora kasetni, izvelciet to no darbarīka, pārbīdot kasetnes priekšpusē esošo pogu.

- **Att.1:** 1. Sarkanais krāsas indikators 2. Poga
3. Akumulatora kasetne



















▲UZMANĪBU: Vienmēr ievietojiet akumulatora kasetni tā, lai sarkanais indikators nebūtu redzams. Pretēja gadījumā tā var nejauši izkrist no darbarīka un izraisīt jums vai apkārtējiem traumas.

▲UZMANĪBU: Neievietojiet akumulatora kasetni ar spēku. Ja kasetne neslīd ietvarā viegli, tā nav pareizi ielikta.

Atlikušās akumulatora jaudas indikators

Nospiediet akumulatora kasetnes pārbaudes pogu, lai pārbaudītu akumulatora atlikušo uzlādes līmeni. Indikatori iedegsies uz dažām sekundēm.

► **Att.2:** 1. Indikatora lampas 2. Pārbaudes poga

Indikatora lampas			Atlikušā jauda
 Iededzies	 Izslēgts	 Mirgo	
			No 75% līdz 100%
			No 50% līdz 75%
			No 25% līdz 50%
			No 0% līdz 25%
			Uzlādējiet akumulatoru.
			Iespējama akumulatora kļūme.
			

PIEĪZĪME: Reālā jauda var nedaudz atšķirties no norādītās atkarībā no lietošanas apstākļiem un apkārtējās temperatūras.

PIEĪZĪME: Akumulatora aizsardzības sistēmas darbības laikā mirgo pirmais (kreisais malējais) indikators.

Darbarīka/akumulatora aizsardzības sistēma

Darbarīkam ir darbarīka/akumulatora aizsardzības sistēma. Šī sistēma automātiski izslēdz strāvas padevi motoram, lai pagarinātu darbarīka un akumulatora darbību. Lietošanas laikā darbarīks automātiski pārstās darboties, ja darbarīku vai akumulatoru pakļaus kādam no šādiem apstākļiem.

Aizsardzība pret pārslodzi

Ja darbarīku/akumulatoru lieto tā, ka tas patērē pārāk lielu strāvas daudzumu, darbarīks automātiski bez iepriekšēja brīdinājuma pārstāj darboties. Šādā gadījumā izslēdziet darbarīku un pārtrauciet darbību, kas izraisīja darbarīka pārslodzi. Pēc tam ieslēdziet darbarīku, lai atsāktu darbu.

Aizsardzība pret pārkaršanu

Kad darbarīks/akumulators ir pārkaris, darbarīks automātiski pārstāj darboties. Pirms atkārtotas ieslēgšanas ļaujiet darbarīkam atdzist.

Aizsardzība pret akumulatora pārmērīgu izlādi

Ja akumulatora jaudas līmenis ir zems, darbarīks automātiski pārstāj darboties. Šajā gadījumā akumulatoru izņemiet no darbarīka un uzlādējiet.

Aizsardzības bloķētāja izslēgšana

Ja aizsardzības sistēma ieslēgsies atkārtoti, darbarīks tiek bloķēts.

Šādā gadījumā darbarīks nesāk darboties pat pēc izslēgšanas un ieslēgšanas. Lai izslēgtu aizsardzības bloķētāju, akumulatoru izņemiet, ievietojiet akumulatora lādētājā un nogaidiet, līdz beidzas uzlāde.

Aizsardzība pret citiem cēloņiem

Aizsardzības sistēma ir paredzēta arī pret citiem cēloņiem, kas varētu radīt darbarīka bojājumus, un nodrošina automātisku darbarīka apturēšanu. Ja darbarīka darbība ir īslaicīgi apstājusies vai tas pārstājis darboties, veiciet visas tālāk norādītās darbības, lai novērstu cēloņus.

1. Pārbaudiet, vai visi slēdži ir izslēgtā pozīcijā, un pēc tam vēlreiz ieslēdziet darbarīku.
2. Uzlādējiet akumulatoru(-s) vai nomainiet to(-s) ar uzlādētu(-iem) akumulatoru(-iem).
3. Ļaujiet darbarīkam un akumulatoram(-iem) atdzist.

Ja pēc aizsardzības sistēmas atjaunošanas nav uzlabojumu, sazinieties ar vietējo Makita tehniskās apkopes centru.

Vārpstas bloķētājs

BRĪDINĀJUMS: Nekad neieslēdziet vārpstas bloķētāju, kad vārpsta griežas. Tas var izraisīt smagus ievainojumus vai darbarīka bojājumus.

Nospiediet vārpstas bloķētāju, lai novērstu vārpstas griešanos piederumu uzstādīšanas vai noņemšanas laikā.

► **Att.3:** 1. Vārpstas bloķētājs

Slēdža darbība

UZMANĪBU: Vienmēr pirms akumulatora kasetnes uzstādīšanas darbarīkā pārbaudiet, vai slēdža svira darbojas pareizi un pēc atlaišanas atgriežas stāvoklī "OFF" (izslēgts).

UZMANĪBU: Jūsu drošības labad darbarīks ir aprīkots ar atbloķēšanas sviru, kas novērš darbarīka nejaušas iedarbināšanas risku. **NEIZMANTOJIET** darbarīku, ja tas darbojas, kad nospiežat slēdža sviru, nenošpiežot atbloķēšanas sviru. **PIRMS** turpmākās lietošanas nododiet darbarīku mūsu pilnvarotajā apkopes centrā, lai veiktu pienācīgu remontu.

UZMANĪBU: Slēdža sviru nospiediet ar spēku, nenošpiežot atbloķēšanas sviru. Spiežot ar spēku, var sabojāt slēdzi.

UZMANĪBU: **NEKAD** nenovērtējiet par zemu un neignorējiet atbloķēšanas sviras mērķi un funkcijas.

Lai slēdža sviru nospieštu nejauši, darbarīks ir aprīkots ar atbloķēšanas sviru.

Lai darbarīku iedarbinātu, atbloķēšanas sviru pavelciet virzienā pret sevi un tad nospiediet slēdža sviru.

Lai darbarīku apturētu, atlaidiet slēdža sviru.

► **Att.4:** 1. Atbloķēšanas svira 2. Slēdža svira

Ātruma regulēšanas gredzens

Darbarīka griešanās ātrumu var mainīt, griežot ātruma regulēšanas gredzenu. Tabulā tālāk norādīts katram gredzena ciparam atbilstošais griešanās ātrums.

► **Att.5:** 1. Ātruma regulēšanas gredzens

Cipars	Ātrums
1	3 000 min ⁻¹
2	4 500 min ⁻¹
3	6 000 min ⁻¹
4	7 500 min ⁻¹
5	9 000 min ⁻¹

IEVĒRĪBAI: Ja darbarīku ilgstoši darbinās ar mazu ātrumu, motors tiks pārslogots, tādējādi radot darbarīka darbības traucējumus.

IEVĒRĪBAI: Ātruma regulēšanas ciparrīpu var griezt tikai diapazonā no 1 līdz 5. Lai nesabojātu ātruma regulēšanas funkcijas darbību, nemēģiniet ar spēku to pagriezt tālāk aiz 5 vai 1.

Nejaušas atkārtotas ieslēgšanas nepieļaušanas funkcija

Ja akumulatora kasetnes uzstādīšanas brīdī slēdzis ir ieslēgts, darbarīks nesāk darboties.

Lai iedarbinātu darbarīku, izslēdziet slēdzi un pēc tam to atkal ieslēdziet.

Aktīvās reakcijas tehnoloģija (Active Feedback sensing Technology)

Darbarīks elektroniski nosaka stāvokli, kad ripa vai piederums var iesprūst. Šādā gadījumā darbarīks automātiski izslēdzas, lai vārpsta vairs negrieztos (taču tas nenovērš atsitieni).

Lai atkārtoti ieslēgtu darbarīku, vispirms to izslēdziet, novērsiet darbarīka ātruma pēkšņās samazināšanās iemeslu un tad atkal ieslēdziet darbarīku.

Pakāpeniskas jeb laidenās ieslēgšanas funkcija

Pakāpeniskas ieslēgšanas funkcija mazina iedarbināšanas reakciju.

Elektrobremze

Tikai modelim GA027G / GA028G / GA029G

Elektrobremze tiek ieslēgta pēc darbarīka izslēgšanas. Bremze nedarbojas, ja barošana ir izslēgta, piemēram, tiek izņemts akumulators, kad slēdzis vēl ir ieslēgšanas stāvoklī.

MONTĀŽA

⚠UZMANĪBU: Pirms darbarīka regulēšanas vai tā darbības pārbaudes vienmēr pārliecinieties, ka darbarīks ir izslēgts un akumulatora kasetne ir izņemta.

Sānu roktura uzstādīšana (rokturis)

⚠UZMANĪBU: Pirms darbarīka izmantošanas vienmēr pārliecinieties, ka sānu rokturis ir uzstādīts droši.

Stingri pieskrūvējiet sānu rokturi pie darbarīka, kā parādīts attēlā.

► Att.6

Slīpripas aizsarga uzstādīšana un noņemšana

⚠BRĪDINĀJUMS: Izmantojot slīpripas ar ieliektu centru, plākšņu diska, lokanās ripas vai stieplu sukas ripas, slīpripas aizsargs jāuzstāda uz darbarīka tā, lai aizsarga slēgtā daļa vienmēr būtu vērsta pret operatoru.

⚠BRĪDINĀJUMS: Pārbaudiet, vai slīpripas aizsargs ir droši nostiprināts ar aiztura sviru, izmantojot vienu no slīpripas aizsarga atverēm.

⚠BRĪDINĀJUMS: Izmantojot abrazīvo griezējripu vai dimanta ripu, lietojiet tikai īpašu griezējripiem paredzētu ripas aizsargu.

Slīpripai ar ieliektu centru, plākšņu ripai, lokanajai ripai, stieplu sukas ripai/abrazīvai griešanas ripai, dimanta ripai

1. Nospiediet bloķēšanas sviru un uzlieciet slīpripas aizsargu tā, lai uz slīpripas aizsarga malas esošie izcilņi sakristu ar gultņa korpusa ierobiem.

► **Att.7:** 1. Bloķēšanas svira 2. Ierobs 3. Izvirzījums

2. Spiediet bloķēšanas sviru A bultiņas virzienā un vienlaikus uzspiediet slīpripas aizsargu, satverot to aiz daļām, kas attēlā apzīmētas ar burtu B.

► **Att.8:** 1. Slīpripas aizsargs 2. Atvere

PIEZĪME: Spiediet slīpripas aizsargu tieši uz leju. Citādi nav iespējams pilnīgi uzstādīt slīpripas aizsargu.

3. Saglabājot 2. punktā aprakstīto bloķēšanas sviras un slīpripas aizsarga pozīciju, grieziet slīpripas aizsargu C punkta virzienā un tad pielāgojiet slīpripas aizsarga leņķi atbilstoši veicamajam darbam, lai nodrošinātu operatora aizsardzību. Savietojiet bloķēšanas sviru ar kādu no atverēm slīpripas aizsargā un tad atlaidiet bloķēšanas sviru, lai nofiksētu slīpripas aizsargu.

► **Att.9:** 1. Slīpripas aizsargs 2. Atvere

PIEZĪME: Pilnībā uzspiediet slīpripas aizsargu. Citādi slīpripas aizsargu nav iespējams pagriezt.

Lai noņemtu slīpripas aizsargu, izpildiet iepriekš minētās darbības pretējā secībā.

Piestiprināma griezējriņas aizsarga papildierīce

Papildu piederumi

PIEZĪME: Griešanas operācijām piestiprināmu griezējriņas aizsarga papildierīci var izmantot ar ripas aizsargu (slīpripai).

Dažās valstīs tas nav pieejams.

► **Att.10**

Slīpripas ar ieliektu centru vai plākšņu diska uzstādīšana un noņemšana

Papildu piederumi

⚠BRĪDINĀJUMS: Izmantojot slīpripas ar ieliektu centru vai plākšņu diskus, slīpripas aizsargs jāuzstāda uz darbarīka tā, lai aizsarga slēgtā daļa vienmēr būtu vērsta operatora virzienā.

⚠BRĪDINĀJUMS: Pārliecinieties, ka iekšējā atloka stiprinājuma daļa precīzi iekļaujas slīpripas ar ieliektu centru vai plākšņu diska iekšējā diametrā. Ja iekšējo atloku uzstādīs nepareizajā pusē, var rasties bīstama vibrācija.

Iekšējo atloku uzstādiet uz vārpstas. Iekšējā atloka ieliektu daļu uzstādiet uz taisnās daļas vārpstas apakšdaļā.

Slīpripu ar ieliektu centru vai plākšņu disku uzlieciet

uz iekšējā atloka un pieskrūvējiet kontruzgriezni uz vārpstas.

► **Att.11:** 1. Kontruzgrieznis 2. Slīpriņa ar ieliektu centru 3. Iekšējais atloks 4. Stiprinājuma daļa

Lai pievilktu kontruzgriezni, stingri nospiediet vārpstas bloķētāju, lai vārpsta negrieztos, tad ar kontruzgriežņa atslēgu stingri pievelciet to pulksteņrādītāju kustības virzienā.

► **Att.12:** 1. Kontruzgriežņa atslēga 2. Vārpstas bloķētājs

Lai slīpriņu noņemtu, iepriekš norādītās darbības izpildiet pretējā secībā.

Lokanās ripas uzstādīšana un noņemšana

Papildu piederumi

▲BRĪDINĀJUMS: Ja darbarīkam izmantojat lokano ripu, vienmēr lietojiet komplektā iekļauto aizsargu. Lietošanas laikā ripa var sadrup, bet aizsargs palīdz mazināt traumu bīstamību.

► **Att.13:** 1. Kontruzgrieznis 2. Lokanā ripa 3. Balsta starplika 4. Iekšējais atloks

Ievērojiet norādījumus attiecībā uz slīpriņu ar ieliektu centru; tomēr uz ripas uzlieciet arī balsta starpliku.

Abrazīvās ripas uzstādīšana un noņemšana

Papildu piederumi

PIEZĪME: Izmantojiet šajā rokasgrāmatā norādītos slīpmašīnas piederumus. Tie jāiegādājas atsevišķi.

100 mm (4") modelim

► **Att.14:** 1. Smilšpapīra jeb smalkās slīpēšanas kontruzgrieznis 2. Abrazīvā ripa 3. Gumijas starplika 4. Iekšējais atloks

1. Iekšējo atloku uzstādiet uz vārpstas.
2. Uz vārpstas uzstādiet gumijas paliktni.
3. Uzstādiet ripu uz gumijas starplikas un uzskrūvējiet smilšpapīra slīpēšanas kontruzgriezni uz vārpstas.
4. Turiet vārpstu ar vārpstas bloķētāju un ar kontruzgriežņa atslēgu cieši pievelciet smilšpapīra slīpēšanas kontruzgriežņa pulksteņrādītāju kustības virzienā.

Lai noņemtu ripu, izpildiet iepriekš norādītās darbības pretējā secībā.

Modelim, kas nav 100 mm (4") modelis

► **Att.15:** 1. Smilšpapīra jeb smalkās slīpēšanas kontruzgrieznis 2. Abrazīvā ripa 3. Gumijas starplika

1. Uz vārpstas uzstādiet gumijas paliktni.
2. Uzstādiet ripu uz gumijas starplikas un uzskrūvējiet smilšpapīra slīpēšanas kontruzgriezni uz vārpstas.
3. Turiet vārpstu ar vārpstas bloķētāju un ar kontruzgriežņa atslēgu cieši pievelciet smilšpapīra slīpēšanas kontruzgriezni pulksteņrādītāju kustības virzienā.

Lai noņemtu ripu, izpildiet iepriekš norādītās darbības pretējā secībā.

Virsatloks

Papildu piederumi

Virsatloks ir speciāls piederums modelim, kas NAV aprīkots ar bremzēšanas funkciju.

Modeļiem ar burtu F standarta aprīkojumā ir virsatloks. Ja salīdzina ar parasto tipu, kontruzgriežņa noņemšanai jāpieliek tikai 1/3 spēka.

„Ezynut” uzstādīšana vai noņemšana

Papildu piederumi

Tikai darbarīkiem ar M14 vārpstas vītņi.

▲UZMANĪBU: Nelietojiet „Ezynut” kopā ar virsatloku. Šie atloki ir tik biezi, ka vārpsta nevar uzņemt visu vītņi.

Uzstādi iekšējo atloku, abrazīvo ripu un „Ezynut” uzgriezni uz vārpstas tādā veidā, lai „Makita” logotips atrodas „Ezynut” uzgriežņa ārpusē.

► **Att.16:** 1. „Ezynut” 2. Abrazīvā ripa 3. Iekšējais atloks 4. Vārpsta

Cieši piespiediet vārpstas bloķētāju un pieskrūvējiet „Ezynut” uzgriezni, griežot abrazīvo ripu pulksteņrādītāju kustības virzienā, cik tālu iespējams.

► **Att.17:** 1. Vārpstas bloķētājs

Lai atskrūvētu „Ezynut” uzgriezni, grieziet „Ezynut” ārējo gredzenu pretēji pulksteņrādītāju kustības virzienam.

PIEZĪME: „Ezynut” var atskrūvēt ar roku, ja bulta atrodas pret ierobu. Pretējā gadījumā atskrūvēšanai nepieciešama kontruzgriežņa uzgriežņatslēga. Ievietojiet vienu uzgriežņatslēgas tapu atverē un grieziet „Ezynut” pretēji pulksteņrādītāju kustības virzienam.

► **Att.18:** 1. Bultiņa 2. Ierobas

► **Att.19**

Abrazīvās griezējripas/dimanta ripas uzstādīšana

Papildu piederumi

▲BRĪDINĀJUMS: Izmantojot abrazīvo griezējripu vai dimanta ripu, lietojiet tikai īpašu griezējriņpām paredzētu ripas aizsargu.

▲BRĪDINĀJUMS: NEKAD NELIETOJIET griezējripu sānu slīpēšanai.

► **Att.20:** 1. Kontruzgrieznis 2. Abrazīvā griezējripa/dimanta ripa 3. Iekšējais atloks 4. Ripas aizsargs abrazīvai griezējripai/dimanta ripai

Veicot uzstādīšanu, izpildiet norādījumus, kas paredzēti slīpriņai ar ieliektu centru.

Kontruzgriežņa un iekšējā atloka uzstādīšanas virziena maiņa atkarīga no ripas veida un biežuma.

Skatiet attiecīgos parametrus.

100 mm (4") modelim

Uzstādot abrazīvo griezējripu:

- **Att.21:** 1. Kontruzgrieznis 2. Abrazīvā griezējripa (plānāka par 4 mm (5/32")) 3. Abrazīvā griezējripa (4 mm (5/32")) vai biežāka 4. Iekšējais atloks

Uzstādot dimanta ripu:

- **Att.22:** 1. Kontruzgrieznis 2. Dimanta ripa (plānāka par 4 mm (5/32")) 3. Dimanta ripa (4 mm (5/32")) vai biežāka 4. Iekšējais atloks

Modelim, kas nav 100 mm (4") modelis

Uzstādot abrazīvo griezējripu:

- **Att.23:** 1. Kontruzgrieznis 2. Abrazīvā griezējripa (plānāka par 4 mm (5/32")) 3. Abrazīvā griezējripa (4 mm (5/32")) vai biežāka 4. Iekšējais atloks

Uzstādot dimanta ripu:

- **Att.24:** 1. Kontruzgrieznis 2. Dimanta ripa (plānāka par 4 mm (5/32")) 3. Dimanta ripa (4 mm (5/32")) vai biežāka 4. Iekšējais atloks

Kausveida stieplu suku uzstādīšana

Papildu piederumi

⚠UZMANĪBU: Neizmantojiet bojātu un nelīdzsvarotu kausveida stieplu suku. Bojātas kausveida stieplu suku izmantošana var palielināt risku gūt traumas no salauztām suku stieplēm.

Novietojiet darbarīku ar kājām gaisā, lai varētu viegli piekļūt vārpstai.

No vārpstas noņemiet piederumus. Kausveida stieplu suku uzskrūvējiet uz vārpstas un pievelciet ar komplekta uzgriežņatslēgu.

- **Att.25:** 1. Kausveida stieplu suka

Stieplu suku ripas uzstādīšana

Papildu piederumi

⚠UZMANĪBU: Neizmantojiet bojātu un nelīdzsvarotu stieplu ripas suku. Bojātas stieplu ripas suku izmantošana var palielināt salauztu stieplu radītu traumu bīstamību.

⚠UZMANĪBU: Lietojot stieplu ripas suku, VIENMĒR izmantojiet aizsargu, sekojot, lai viss ripas diametrs iekļaujas aizsargā. Lietošanas laikā ripa var sadrupt, bet aizsargs palīdz mazināt traumu bīstamību.

Novietojiet darbarīku ar kājām gaisā, lai varētu viegli piekļūt vārpstai.

No vārpstas noņemiet piederumus. Stieplu ripas suku uzskrūvējiet uz vārpstas un pievelciet ar uzgriežņu atslēgām.

- **Att.26:** 1. Stieplu ripas suka

Vainagurbja uzstādīšana

Papildu piederumi

Novietojiet darbarīku ar kājām gaisā, lai varētu viegli piekļūt vārpstai. Noņemiet no vārpstas visus piederumus. Uzskrūvējiet vainagurbu uz vārpstas un pievelciet to ar komplektā piegādāto uzgriežņu atslēgu.

- **Att.27:** 1. Vainagurbis

Slīpripas aizsarga ar putekļu savācēju uzstādīšana slīpēšanai

Tikai modelim GA028G / GA029G / GA031G / GA032G

Papildu piederumi

Ar izvēles piederumiem, darbarīku var izmantot betona virsmas pulēšanai.

⚠UZMANĪBU: Kausveida dimanta ripas slīpripas aizsargu ar putekļu savācēju paredzēts izmantot tikai betona virsmas pulēšanai ar kausveida dimanta ripu. Neizmantojiet šo aizsargu ar citu griešanas papildaprīkojumu vai citos nolūkos.

⚠UZMANĪBU: Pirms sākat darbu, pārlicinieties, ka putekļu sūcējs ir pievienots darbarīkam un ieslēgts.

Novietojiet darbarīku ar kājām gaisā un uzstādiet ripas aizsargu ar putekļu savācēju.

Uzstādiet uz vārpstas iekšējo atloku.

Uzlieciet kausveida dimanta ripu uz iekšējā atloka un pievelciet kontruzgriezni uz vārpstas.

- **Att.28:** 1. Kontruzgrieznis 2. Kausveida dimanta ripa 3. Kausveida dimanta ripa ar atloku 4. Iekšējais atloks 5. Ripas aizsargs ar putekļu savācēju 6. Gultņa korpus

PIEZĪME: Lai uzzinātu, kā uzstādīt ripas aizsargu ar putekļu savācēju, skatiet ripas aizsarga ar putekļu savācēju pamācību.

Ripas aizsarga ar putekļu savācēju uzstādīšana griešanai

Papildu piederumi

Ar izvēles piederumiem, darbarīku var izmantot akmens materiālu griešanai.

- **Att.29**

PIEZĪME: Lai uzzinātu, kā uzstādīt ripas aizsargu ar putekļu savācēju, skatiet ripas aizsarga ar putekļu savācēju pamācību.

Putekļsūcēja pievienošana

Papildu piederumi

▲BRĪDINĀJUMS: Nekādā gadījumā ar putekļu sūcēju neiesūciet metāla daļiņas, kas rodas slīpēšanas/griešanas/slīpēšanas laikā. Šādu darbību laikā radušās metāla daļiņas ir tik karstas, ka tās var aizdedzināt putekļus un filtru putekļu sūcēja iekšpusē.

Lai novērstu darba vietā putekļus, kas radušies mūra griešanas rezultātā, izmantojiet slīpripas aizsargu ar putekļu savācēju un putekļu sūcēju. Informāciju par to, kā uzlikt un izmantot slīpripas aizsargu ar putekļu savācēju, skatiet lietošanas instrukciju, kas pievienota šai ierīcei.

- **Att.30:** 1. Slīpripas aizsargs ar putekļu savācēju
2. Putekļu sūcēja šļūtene

EKSPLUATĀCIJA

▲BRĪDINĀJUMS: Strādājot ar darbarīku, nekad nepielieciet pārmērīgu spēku. Darbarīka svars rada pietiekamu spiedienu. Pārmērīgs spēks vai spiediens uz darbarīka var izraisīt ripas salūšanu, kas ir ļoti bīstami.

▲BRĪDINĀJUMS: VIENMĒR nomainiet ripu, ja slīpēšanas laikā darbarīks nokrīt.

▲BRĪDINĀJUMS: NEKAD netriciet un nesitiet ripu pret apstrādājamo materiālu.

▲BRĪDINĀJUMS: Izvairieties no ripas lēkāšanas un iekēršanās, it īpaši stūru, asu malu utt. apstrādē. Tas var izraisīt vadības zaudēšanu un atsitieni.

▲BRĪDINĀJUMS: NEKĀDĀ GADĪJUMĀ neizmantojiet darbarīku ar koku zāģēšanas asmeņiem un citiem zāģu asmeņiem. Šādus asmeņus izmantojot slīpmašīnā, var rasties atsitieni, kura ietekmē var zaudēt vadību pār darbarīku un gūt traumas.

▲UZMANĪBU: Nekādā gadījumā neieslēdziet darbarīku, ja tas ir saskarē ar apstrādājamo materiālu, jo operators var gūt traumas.

▲UZMANĪBU: Darba laikā vienmēr lietojiet aizsargbrilles vai sejas aizsargu.

▲UZMANĪBU: Pēc darba vienmēr izslēdziet darbarīku un uzgaidiet, līdz ripa pilnīgi apstājas, pirms noliekat darbarīku.

▲UZMANĪBU: VIENMĒR stingri turiet darbarīku ar vienu roku uz korpusa un ar otru uz sānu roktura.

PIEZĪME: Divu funkciju ripu var izmantot gan slīpēšanai, gan griešanai.

Attiecībā uz slīpēšanu skatiet sadaļu "Slīpēšanas un smalkās slīpēšanas darbība" un attiecībā uz griešanu skatiet sadaļu "Abrazīvās griezējripas un dimanta ripas lietošana".

Slīpēšana un līdzināšana ar smilšpapīru

► Att.31

Ieslēdziet darbarīku un tad nolaidiet slīpripu vai disku uz materiāla.

Slīpripas vai diska malu turiet apmēram 15 grādu leņķī pret apstrādājamo virsmu.

Jaunas slīpripas iestrādāšanas laikā nelietojiet darbarīku turpgaitas virzienā, citādi tas var iegriezties apstrādājamā materiālā. Kad slīpripas mala lietošanas gaitā ir noapaļojusies, slīpripu var izmantot darbam gan turpgaitas, gan atpakaļgaitas virzienā.

Lietošanas piemērs: darbs ar kausveida dimanta ripu

► Att.32

Turiet darbarīku horizontāli un pielieciet visu kausveida dimanta ripu apstrādājamā materiāla virsmai.

Abrazīvās griezējripas un dimanta ripas lietošana

Papildu piederumi

▲BRĪDINĀJUMS: Neļaujiet slīpripai iesprūst; neizmantojiet pārmērīgu spiedienu. Negrieziet pārāk dziļi. Ripas pārslodze palielina slodzi un iespēju ripai sašķīboties vai aizķerties griezumā, kā arī atsitiena, ripas salūšanas un motora pārkaršanās iespējamību.

▲BRĪDINĀJUMS: Nesāciet griešanu, darbarīkam atrodoties apstrādājamajā virsmā. Ļaujiet ripai sasniegt pilnu ātrumu un uzmanīgi ievietojiet to griezumā, virzot darbarīku uz priekšu pār apstrādājamā materiāla virsmai. Ripa var aizķerties, iznākt no griezuma vai radīt atsitieni, ja mehānizētais darbarīks tiek iedarbināts, ripai atrodoties apstrādājamā materiālā.

▲BRĪDINĀJUMS: Griešanas laikā nekad nomainiet slīpripas leņķi. Pieliekot griezējripai sāniski vērstu spēku (piemēram, slīpējot), ripa var saplaisāt un salūzt, radot smagas traumas.

▲BRĪDINĀJUMS: Dimanta ripa jālieto perpendikulāri griežamajam materiālam.

Darbības piemērs: darbs ar abrazīvo griešanas ripu
► Att.33

Darbības piemērs: darbs ar dimanta ripu
► Att.34

Lietošana kopā ar kausveida stieplu suku

Papildu piederumi

▲UZMANĪBU: Pārbaudiet kausveida stieplu suku darbību, darbinot darbarīku bez slodzes un nodrošinot, lai viens neatrastos kausveida stieplu suku priekšā vai tās rotācijas plaknē.

IEVĒRĪBAI: Izvairieties no pārmērīga spēka piemērošanas, kas var salocīt stieples, lietojot kausveida stieplu suku. Tas var izraisīt priekšlaicīgu salūšanu.

Darbības piemērs: darbs ar kausveida stieplu suku
► Att.35

Lietošana kopā ar stieplu ripas suku

Papildu piederumi

UZMANĪBU: Pārbaudiet stieplu ripas sukas darbību, darbinot darbarīku bez slodzes un nodrošinot, lai neviens neatrastos stieplu ripas sukas priekšā vai tās rotācijas plaknē.

IEVĒRĪBAI: Izvairieties no pārmērīga spiediena, kas var salocīt stieples, lietojot stieplu ripas suku. Tas var izraisīt priekšlaicīgu salūšanu.

Darbības piemērs: darbs ar stieplu sukas ripu
► Att.36

Darbs ar vainagurbi

Papildu piederumi

UZMANĪBU: Pārbaudiet vainagurbja darbību, darbinot darbarīku bez slodzes un nodrošinot, ka neviena persona neatrodas vainagurbja priekšā.

IEVĒRĪBAI: Darbības laikā neceliet darbarīku uz augšu. Tas var izraisīt priekšlaicīgu salūšanu.

Lietošanas piemērs: darbs ar vainagurbi
► Att.37

BEZVADU SISTĒMAS AKTIVIZĒŠANAS FUNKCIJA

Iespējas, ko sniedz bezvadu sistēmas aktivizēšanas funkcija

Bezvadu sistēmas aktivizēšanas funkcija nodrošina tīru un ērtu darbību. Pieslēdzot atbilstošu putekļu sūcēju darbarīkam, putekļu sūcēju iespējams darbināt automātiski kopā ar darbarīka pārslēgšanas darbību.
► Att.38

Lai izmantotu bezvadu sistēmas aktivizēšanas funkciju, sagatavojiet ierīces.

- Bezvadu ierīci (papildu piederums)
- Putekļu sūcēju, kas atbalsta bezvadu sistēmas aktivizēšanas funkciju

Bezvadu sistēmas aktivizēšanas funkcijas iestatīšanas kopsavilkums. Plašāk par darbībām skatiet šajās sadaļās.

1. Bezvadu ierīces uzstādīšana

2. Darbarīka reģistrācija putekļu sūcējam
3. Bezvadu sistēmas aktivizēšanas funkcijas startēšana

Bezvadu ierīces uzstādīšana

Papildu piederumi

UZMANĪBU: Kad uzstādāt bezvadu ierīci, darbarīku nolieciet uz līdzenas un stabilas virsmas.

IEVĒRĪBAI: Pirms bezvadu ierīces uzstādīšanas no darbarīka notīriet putekļus un netīrumus. Ja bezvadu ierīces atverē iekļūst putekļi vai netīrumi, tie var izraisīt darbības traucējumus.

IEVĒRĪBAI: Lai novērstu statiskās enerģijas radītos darbības traucējumus, pirms bezvadu ierīces pacelšanas pieskarieties statisko enerģiju izlādējošam materiālam, piemēram, darbarīka metāliskajai daļai.

IEVĒRĪBAI: Uzstādot bezvadu ierīci, vienmēr pārliecinieties, ka bezvadu ierīce ievietota pareizajā virzienā, un pārsegs ir pilnībā aizvērts.

1. Atveriet darbarīka pārsegu, kā parādīts attēlā.
► Att.39: 1. Pārsegs

2. Bezvadu ierīci pievienojiet atverei un aizveriet pārsegu.

Pievienojot bezvadu ierīci, izvirkzījumus savietojiet ar padziļinājuma vietām uz atveres.

- Att.40: 1. Bezvadu ierīce 2. Izvirkzījums 3. Pārsegs 4. Padziļinājuma daļa

Noņemot bezvadu ierīci, pārsegu atveriet lēni. Ar āķiem pārsega aizmugurē bezvadu ierīce pacelsies līdz ar pārsega atvēršanu.

- Att.41: 1. Bezvadu ierīce 2. Āķis 3. Pārsegs

Pēc bezvadu ierīces noņemšanas glabājiet to komplekta ietvarā vai nestatiskā konteinerā.

IEVĒRĪBAI: Noņemot bezvadu ierīci, vienmēr izmantojiet āķus pārsega aizmugurē. Ja āķi nesatver bezvadu ierīci, tad pārsegu aizveriet un lēni atkal atveriet.

Darbarīka reģistrācija putekļu sūcējam

PIEZĪME: Lai reģistrētu darbarīku, nepieciešams Makita putekļu sūcējs, kas atbalsta bezvadu sistēmas aktivizēšanas funkciju.

PIEZĪME: Vispirms pabeidziet bezvadu ierīci uzstādīt darbarīkam, tikai tad sāciet darbarīka reģistrāciju.

PIEZĪME: Darbarīka reģistrācijas laikā nenospiediet slēdža mēlīti un nenospiediet ieslēgšanas slēdzi uz putekļu sūcēja.

PIEZĪME: Skatiet arī putekļu sūcēja lietošanas rokasgrāmatu.

Ja putekļu sūcēju vēlaties aktivizēt reizē ar darbarīka pārslēgšanas darbību, vispirms pabeidziet darbarīka reģistrāciju.

1. Putekļu sūcējā un darbarīkā ielieciet akumulatorus.

2. Gaidstāves slēdzi uz putekļu sūcēja pārslēdziet pozīcijā „AUTO”.

► **Att.42:** 1. Gaidstāves slēdzis

3. Nospiediet bezvadu sistēmas aktivizēšanas pogu uz putekļu sūcēja un turiet 3 sekundes, līdz bezvadu sistēmas aktivizēšanas lampiņa mirgo zaļā krāsā. Un tad tādā pašā veidā nospiediet bezvadu sistēmas aktivizēšanas pogu uz darbarīka.

► **Att.43:** 1. Bezvadu sistēmas aktivizēšanas poga
2. Bezvadu sistēmas aktivizēšanas lampiņa

Ja putekļu sūcējs un darbarīks savienoti veiksmīgi, bezvadu sistēmas aktivizēšanas lampiņas 2 sekundes degs zaļā krāsā un tad sāks mirgot zilā krāsā.

PIEZĪME: Bezvadu sistēmas aktivizēšanas lampiņas zaļā krāsā beidz mirgot pēc 20 sekundēm. Kamēr uz putekļu sūcēja mirgo bezvadu sistēmas aktivizēšanas lampiņa, nospiediet bezvadu sistēmas aktivizēšanas pogu uz darbarīka. Ja bezvadu sistēmas aktivizēšanas lampiņa nemirgo zaļā krāsā, uz mirkli piespiediet un atkal paturiet nospiestu bezvadu sistēmas aktivizēšanas pogu.

PIEZĪME: Ja vienam putekļu sūcējam reģistrējat divus vai vairākus darbarīkus, tad darbarīku reģistrāciju pabeidziet secīgi.

Bezvadu sistēmas aktivizēšanas funkcijas startēšana

PIEZĪME: Vēl pirms pabeidziet darbarīka reģistrāciju putekļu sūcējam, tikai tad aktivizējiet bezvadu sistēmu.

PIEZĪME: Skatiet arī putekļu sūcēja lietošanas rokasgrāmatu.

Kad putekļu sūcējs būs reģistrēts darbarīkam, putekļu

sūcējs automātiski darbosies kopā ar darbarīka pārslēgšanas darbību.

1. Uzstādiat bezvadu ierīci darbarīkam.

2. Putekļu sūcēja šļūteni savienojiet ar darbarīku.

► **Att.44**

3. Gaidstāves slēdzi uz putekļu sūcēja pārslēdziet pozīcijā „AUTO”.

► **Att.45:** 1. Gaidstāves slēdzis

4. Uz mirkli piespiediet bezvadu sistēmas aktivizēšanas pogu uz darbarīka. Bezvadu sistēmas aktivizēšanas lampiņa iemirgosies zilā krāsā.

► **Att.46:** 1. Bezvadu sistēmas aktivizēšanas poga
2. Bezvadu sistēmas aktivizēšanas lampiņa

5. Ieslēdziet darbarīku. Pārliecinieties, ka laikā, kad izmantojat darbarīku, putekļu sūcējs darbojas.

Lai apturētu putekļu sūcēja bezvadu sistēmas aktivizēšanu, nospiediet bezvadu sistēmas aktivizēšanas pogu uz darbarīka.

PIEZĪME: Bezvadu sistēmas aktivizēšanas lampiņa uz darbarīka beigs mirgot zilā krāsā, kad darbarīks bezdarbībā būs bijis 2 stundas. Šajā gadījumā gaidstāves slēdzi uz putekļu sūcēja pārslēdziet pozīcijā „AUTO” un atkal nospiediet bezvadu sistēmas aktivizēšanas pogu uz darbarīka.

PIEZĪME: Putekļu sūcējs ieslēdzas/izslēdzas ar aizkavi. Kad putekļu sūcējs konstatē darbarīka pārslēgšanas darbību, rodas laika nobīde.



PIEZĪME: Atrašanās vietas un apkārtnējo apstākļu dēļ var atšķirties bezvadu ierīces signāla uztveršanas attālumus.




PIEZĪME: Kad pie viena putekļu sūcēja pieslēgti divi vai vairāki darbarīki, putekļu sūcējs var sākt darboties pat tad, ja jūs neieslēdzat darbarīku, jo bezvadu sistēmas aktivizēšanas funkciju izmanto cits lietotājs.

Bezvadu sistēmas aktivizēšanas lampiņas statusa apraksts

► **Att.47:** 1. Bezvadu sistēmas aktivizēšanas lampiņa

Bezvadu sistēmas aktivizēšanas lampiņa rāda bezvadu sistēmas aktivizēšanas funkcijas statusu. Lampiņas statusa nozīme norādīta tabulā.

Statuss	Bezvadu sistēmas aktivizēšanas lampiņa			Ilgums	Apraksts
	Krāsa	 Deg	 Mirgo		
Gaidstāve	Zila	<input checked="" type="checkbox"/>		2 stundas	Putekļu sūcēja bezvadu sistēmas aktivizēšana ir iespējama. Kad darbarīks bezdarbībā būs bijis 2 stundas, lampiņa izslēgsies automātiski.
		<input type="checkbox"/>		Kad darbarīks darbojas.	Putekļu sūcēja bezvadu sistēmas aktivizēšana ir iespējama, darbarīks darbojas.
Darbarīka reģistrācija	Zaļa	<input checked="" type="checkbox"/>		20 sekundes	Sistēma ir gatava darbarīka reģistrācijai. Tiek gaidīta putekļu sūcēja reģistrācija.
		<input type="checkbox"/>		2 sekundes	Darbarīka reģistrācija ir pabeigta. Bezvadu sistēmas aktivizēšanas lampiņa sāks mirgot zilā krāsā.
Darbarīka reģistrācijas atcelšana	Sarkana	<input checked="" type="checkbox"/>		20 sekundes	Sistēma ir gatava darbarīka reģistrācijas atcelšanai. Tiek gaidīta reģistrācijas atcelšana no putekļu sūcēja puses.
		<input type="checkbox"/>		2 sekundes	Darbarīka reģistrācijas atcelšana ir pabeigta. Bezvadu sistēmas aktivizēšanas lampiņa sāks mirgot zilā krāsā.

Statuss	Bezvadu sistēmas aktivizēšanas lampiņa				Apraksts
	Krāsa	 Deg	 Mirgo	Ilgums	
Cits	Sarkana			3 sekundes	Bezvadu ierīce saņem strāvu, sāk darboties bezvadu sistēmas aktivizēšanas funkcija.
	Nedeg	-		-	Putekļu sūcēja bezvadu sistēmas aktivizēšana ir apturēta.

Darbarīka reģistrācijas atcelšana putekļu sūcējam

Atceļot darbarīka reģistrāciju putekļu sūcējam, jārikojas šādi.

1. Putekļu sūcējā un darbarīkā ielieciet akumulatorus.
2. Gaidstāves slēdzi uz putekļu sūcēja pārslēdziet pozīcijā „AUTO”.
▶ **Att.48:** 1. Gaidstāves slēdzis
3. Nospiediet bezvadu sistēmas aktivizēšanas pogu uz putekļu sūcēja un turiet 6 sekundes. Bezvadu sistēmas aktivizēšanas lampiņa nomirgo zaļā krāsā un tad kļūst sarkana. Pēc tam tādā pašā veidā nospiediet

bezvadu sistēmas aktivizēšanas pogu uz darbarīka.

- ▶ **Att.49:** 1. Bezvadu sistēmas aktivizēšanas poga
2. Bezvadu sistēmas aktivizēšanas lampiņa

Ja atcelšana notikusi veiksmīgi, bezvadu sistēmas aktivizēšanas lampiņas 2 sekundes degs sarkanā krāsā un sāks mirgot zilā krāsā.

PIEZĪME: Bezvadu sistēmas aktivizēšanas lampiņas sarkanā krāsā beidz mirgot pēc 20 sekundēm. Kamēr uz putekļu sūcēja mirgo bezvadu sistēmas aktivizēšanas lampiņa, nospiediet bezvadu sistēmas aktivizēšanas pogu uz darbarīka. Ja bezvadu sistēmas aktivizēšanas lampiņa nemirgo sarkanā krāsā, uz mirkli piespiediet un atkal paturiet nospiestu bezvadu sistēmas aktivizēšanas pogu.

Traucējummeklēšana bezvadu sistēmas aktivizēšanas funkcijai

Pirms nodošanas remontā vispirms veiciet pārbaudi pats. Ja konstatējat kļūmi, kas nav aprakstīta rokasgrāmatā, nemēģiniet darbarīku izjaukt. Dodieties uz Makita pilnvarotu apkopes centru un remontam vienmēr izmantojiet tikai Makita rezerves daļas.

Neatbilstošas darbības stāvoklis	Iespējamais iemesls (kļūme)	Risinājums
Bezvadu sistēmas aktivizēšanas lampiņa neiedegas/nemirgo.	Bezvadu ierīce darbarīkā nav uzstādīta. Bezvadu ierīce darbarīkā ir uzstādīta nepareizi.	Uzstādiet bezvadu ierīci pareizi.
	Bezvadu ierīces izvads un/vai atvere ir netīra.	Uzmanīgi noslaukiet putekļus un netīrumus no bezvadu ierīces izvada un iztīriet atveri.
	Bezvadu sistēmas aktivizēšanas poga uz darbarīka nav nospiesta.	Uz mirkli piespiediet bezvadu sistēmas aktivizēšanas pogu uz darbarīka.
	Gaidstāves slēdzi uz putekļu sūcēja nav ieslēgts pozīcijā „AUTO”.	Gaidstāves slēdzi uz putekļu sūcēja pārslēdziet pozīcijā „AUTO”.
	Nav strāvas padeves	Pieslēdziet strāvas padevi darbarīkam un putekļu sūcējam.

Neatbilstošas darbības stāvoklis	Iespējamais iemesls (klūme)	Risinājums
Neizdodas veiksmīgi pabeigt darbarīka reģistrāciju/darbarīka reģistrācijas atcelšanu.	Bezvadu ierīce darbarīkā nav uzstādīta. Bezvadu ierīce darbarīkā ir uzstādīta nepareizi.	Uzstādiēt bezvadu ierīci pareizi.
	Bezvadu ierīces izvads un/vai atvere ir netīra.	Uzmanīgi noslaukiet putekļus un netīrumus no bezvadu ierīces izvada un iztīriet atveri.
	Gaidstāves slēdzis uz putekļu sūcēja nav ieslēgts pozīcijā „AUTO”.	Gaidstāves slēdzi uz putekļu sūcēja pārslēdziet pozīcijā „AUTO”.
	Nav strāvas padeves	Pieslēdziet strāvas padevi darbarīkam un putekļu sūcējam.
	Nepareiza darbība	Uz mirkli piespiediet bezvadu sistēmas aktivizēšanas pogu un atkal veiciet darbarīka reģistrācijas/atcelšanas procedūru.
	Darbarīks un putekļu sūcējs atrodas tālu viens no otra (ārpus signāla uztveršanas zonas).	Darbarīku un putekļu sūcēju novietojiet tuvāk vienu otram. Maksimālais signāla uztveršanas attālums ir apmēram 10 m, taču apstākļu ietekmē tas var atšķirties.
	Pirms darbarīka reģistrācijas/atcelšanas pabeigšanas - darbarīka slēdzis ir ieslēgts vai - ieslēgšanas poga uz putekļu sūcēja ir ieslēgta.	Uz mirkli piespiediet bezvadu sistēmas aktivizēšanas pogu un atkal veiciet darbarīka reģistrācijas/atcelšanas procedūru.
	Darbarīka reģistrācijas procedūra darbarīkam vai putekļu sūcējam nav pabeigta.	Vienlaikus veiciet darbarīka reģistrācijas procedūru gan darbarīkam, gan putekļu sūcējam.
Putekļu sūcējs nedarbojas kopā ar darbarīka pārslēgšanas darbību.	Radio traucējumi no citām iekārtām, kas ģenerē ļoti intensīvus radio viļņus.	Darbarīku un putekļu sūcēju neturiet tādu iekārtu tuvumā kā bezvadu tehnoloģiju (Wi-Fi) ierīces un mikroviļņu krāsnis.
	Bezvadu ierīce darbarīkā nav uzstādīta. Bezvadu ierīce darbarīkā ir uzstādīta nepareizi.	Uzstādiēt bezvadu ierīci pareizi.
	Bezvadu ierīces izvads un/vai atvere ir netīra.	Uzmanīgi noslaukiet putekļus un netīrumus no bezvadu ierīces izvada un iztīriet atveri.
	Bezvadu sistēmas aktivizēšanas poga uz darbarīka nav nospiesta.	Uz mirkli piespiediet bezvadu sistēmas aktivizēšanas pogu un pārliecinieties, ka bezvadu sistēmas lampiņa mirgo zilā krāsā.
	Gaidstāves slēdzis uz putekļu sūcēja nav ieslēgts pozīcijā „AUTO”.	Gaidstāves slēdzi uz putekļu sūcēja pārslēdziet pozīcijā „AUTO”.
	Pie putekļu sūcēja ir pieslēgti vairāk nekā 10 darbarīki.	Atkārtoti reģistrējiet darbarīku. Ja putekļu sūcējam reģistrēti vairāk nekā 10 darbarīki, automātiski tiks atslēgts visvienīgākais reģistrētais darbarīks.
	Visu reģistrēto darbarīku iestatījumi ir izdzēsti no putekļu sūcēja.	Atkārtoti reģistrējiet darbarīku.
	Nav strāvas padeves	Pieslēdziet strāvas padevi darbarīkam un putekļu sūcējam.
	Darbarīks un putekļu sūcējs atrodas tālu viens no otra (ārpus signāla uztveršanas zonas).	Darbarīku un putekļu sūcēju novietojiet tuvāk vienu otru. Maksimālais signāla uztveršanas attālums ir apmēram 10 m, taču apstākļu ietekmē tas var atšķirties.
Putekļu sūcējs darbojas, kamēr darbarīks nedarbojas.	Radio traucējumi no citām iekārtām, kas ģenerē ļoti intensīvus radio viļņus.	Darbarīku un putekļu sūcēju neturiet tādu iekārtu tuvumā kā bezvadu tehnoloģiju (Wi-Fi) ierīces un mikroviļņu krāsnis.
	Putekļu sūcēja bezvadu sistēmas aktivizēšanas funkciju saviem darbarīkiem izmanto citi lietotāji.	Izslēdziet citu darbarīku bezvadu aktivizēšanas pogu vai atceliet darbarīka reģistrāciju citiem darbarīkiem.

APKOPE

⚠ UZMANĪBU: Pirms darbarīka pārbaudes vai apkopes vienmēr pārliecinieties, ka darbarīks ir izslēgts un akumulatora kasetne ir izņemta.

IEVĒRĪBAI: Nekad neizmantojiet gāzoliņu, benzīnu, atšķaidītāju, spirtu vai līdzīgus šķidrums. Tas var radīt izbalēšanu, deformāciju vai plaisas.

Lai saglabātu izstrādājuma DROŠU un UZTICAMU darbību, remontdarbus, apkopi un regulēšanu uzticiet veikt tikai Makita pilnvarotam vai rūpnīcas apkopes centram, un vienmēr izmantojiet tikai Makita rezerves daļas.

Gaisa ventilācijas atveru tīrīšana

Gaisa ventilācijas atverēm jābūt tīrām. Regulāri tīriet darbarīka ventilācijas atveres, kā arī ikreiz, kad atveres nosprostojas.

► **Att.50:** 1. Izplūdes atvere 2. Ieplūdes atvere

No ieplūdes atveres noņemiet putekļu aizsargu un

notīriet, lai gaisa cirkulācija būtu brīva.

► **Att.51:** 1. Putekļu aizsargs

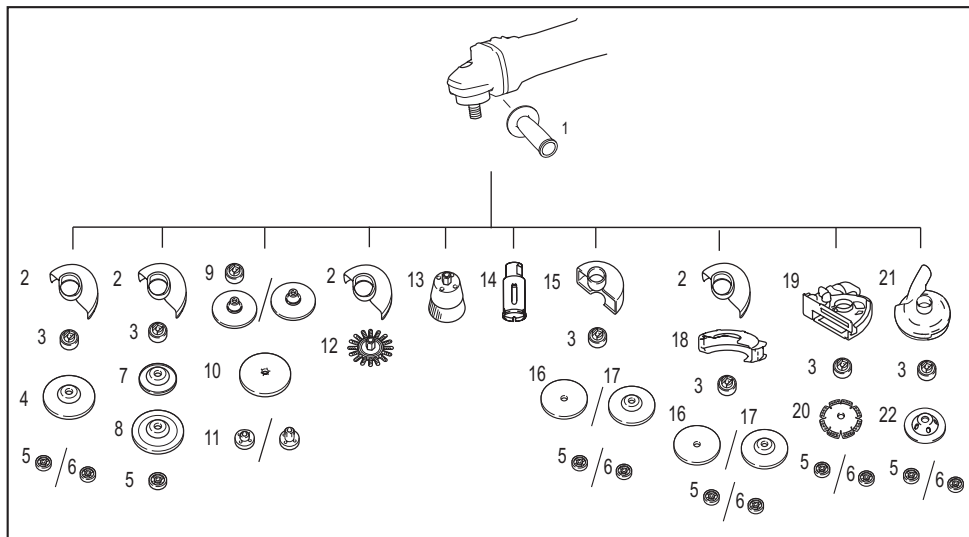
IEVĒRĪBAI: Kad putekļu aizsargs aizsērējis ar netīrumiem vai svešķermeņiem, iztīriet to. Ja darbarīku turpina lietot ar aizsērējušu putekļu aizsargu, darbarīku var sabojāt.

LIETOJUMU UN PIEDERUMU KOMBINĀCIJA

Papildu piederumi

⚠ UZMANĪBU: Darbarīka lietošana ar nepareizu aizsargu var izraisīt tālāk uzskaitītos riskus.

- Izmantojot griezējripas aizsargu virsmas slīpēšanai, ripas aizsargs var saskarties ar apstrādājamo materiālu, apgrūtinot darbarīka vadību.
- Lietojot slīpripas aizsargu griešanas darbībām ar līmētām abrazīvām ripām un dimanta ripām, ir palielināts risks saskarties ar rotējošām ripām, izmestām dzirkstelēm un daļiņām, kā arī risks gūt ievainojumus no ripas fragmentiem ripas sairšanas gadījumā.
- Izmantojot griezējripas aizsargu vai slīpripas aizsargu virsmas apstrādei ar kausveida dimanta ripām, ripas aizsargs var saskarties ar apstrādājamo materiālu, apgrūtinot darbarīka vadību.
- Izmantojot griezējripas aizsargu vai slīpripas aizsargu ar ripas veida stieplu suku, kuras biezums ir lielāks nekā sadaļā TEHNISKIE DATI norādītais maksimālais biezums, stieples var aizķerties aiz aizsarga, izraisot stieplu nolūšanu.
- Ripas aizsargu ar putekļu savācēju izmantošana betona vai ķieģeļu materiālu griešanai vai virsmas apstrādei samazina saskares risku ar putekļiem.
- Lietojot divu funkciju (kombinētā slīpēšana un abrazīvā griešana) ar atloku stiprināmas ripas, izmantojiet tikai griezējripas aizsargu.



-	Lietojums	100 mm modelis	115 mm modelis	125 mm modelis
1	-	Sānu rokturis		
2	-	Ripas aizsargs (slīpripai)		
3	-	lekšējais atloks	lekšējais atloks / virsatloks *1*2	
4	Slīpēšana / smalkā slīpēšana	Slīpripa ar ieliektu centru/plāksņu disks		
5	-	Kontruzgrieznis		
6	-	-	„Ezynut” *1*3	

-	Lietojumš	100 mm modelis	115 mm modelis	125 mm modelis
7	-	Balsta starplika		
8	Slīpēšana	Lokanā ripa		
9	-	leķšējais atloks un gumijas starplika 76	Gumijas starplika 100	Gumijas starplika 115
10	Smalkā slīpēšana	Abrazīvā ripa		
11	-	Smilšpapīra jeb smalkās slīpēšanas kontruzgrieznis		
12	Tīrīšana ar stieplu suku	Stieplu ripas suka		
13	Tīrīšana ar stieplu suku	Kausveida stieplu suka		
14	Caurumu izgriešana	Vainagurbis		
15	-	Ripas aizsargs (griešanas ripai)		
16	Griešana	Abrazīvā griezējripa/dimanta ripa		
17	Slīpēšana / griešana	Divu funkciju ripa		
18	-	Piestiprināma griezējripas aizsarga papildierīce *4		
19	-	Ripas aizsargs ar putekļu savācēju griešanai *5		
20	Griešana	Dimanta ripa		
21	-	-	Slīpripas aizsargs ar putekļu savācēju *6	
22	Slīpēšana	-	Kausveida dimanta ripa *6	
-	-	Kontruzgriezņa atslēga		

PIEZĪME: *1 Neizmantojiet virsatloku kopā ar „Ezynut” uzgriezni.

PIEZĪME: *2 Neizmantojiet virsatloku ar slīpmašīnu, kas aprīkota ar bremzes funkciju.

PIEZĪME: *3 Tikai darbarīkiem ar M14 vārpstas vītņi.

PIEZĪME: *4 Piestiprināma griezējripas aizsarga papildierīce dažās valstīs nav pieejama. Plašāku informāciju skatiet piestiprināmās griezējripas aizsarga papildierīces lietošanas rokasgrāmatā.

PIEZĪME: *5 Papildinformāciju skatiet katra aizsarga lietošanas rokasgrāmatā.

PIEZĪME: *6 Tikai modelim GA028G / GA029G / GA031G / GA032G

Papildinformāciju skatiet katra aizsarga lietošanas rokasgrāmatā.

PAPILDU PIEDERUMI

⚠UZMANĪBU: Šādi piederumi un papildierīces tiek ieteiktas lietošanai ar šajā rokasgrāmatā aprakstīto Makita darbarīku. Izmantojot citus piederumus vai papildierīces, var tikt radīta trauma gūšanas bīstamība. Piederumu vai papildierīci izmantojiet tikai paredzētajam mērķim.

Ja jums vajadzīga palīdzība vai precīzāka informācija par šiem piederumiem, vērsieties savā tuvākajā Makita apkopes centrā.

- Makita oriģinālais akumulators un lādētājs
- Sadajā „LIETOJUMU UN PIEDERUMU KOMBINĀCIJA” uzskaitītie piederumi
- Bezvadu ierīce (modeļiem ar bezvadu aktivizēšanas funkciju)

PIEZĪME: Daži sarakstā norādītie izstrādājumi var būt iekļauti instrumenta komplektācijā kā standarta piederumi. Tie dažādās valstīs var būt atšķirīgi.

SPECIFIKACIJOS

Modelis:		GA027G	GA028G	GA029G	GA030G	GA031G	GA032G
Tinkamas šlifavimo diskas	Didž. disko skersmuo	100 mm	115 mm	125 mm	100 mm	115 mm	125 mm
	Didž. disko storis	6,4 mm	7,2 mm	6,4 mm	7,2 mm		
Tinkamas nupjovimo diskas	Didž. disko skersmuo	105 mm	115 mm	125 mm	105 mm	115 mm	125 mm
	Didž. disko storis	3,2 mm					
Tinkamas vielinis disko formos šepetėlis	Didž. disko skersmuo	100 mm	115 mm	125 mm	100 mm	115 mm	125 mm
	Didž. disko storis	20 mm					
Veleno sriegis		M10	M14 arba 5/8" (priklauso nuo šalies)	M10	M14 arba 5/8" (priklauso nuo šalies)		
Didž. veleno ilgis		18 mm	23 mm	18 mm	23 mm		
Sūkiai be apkrovos (n ₀) / vardinis greitis (n)		9 000 min ⁻¹					
Bendrasis ilgis	su BL4025	413 mm					
	su BL4040	425 mm					
Grynasis svoris		2,8–5,2 kg	3,0–5,4 kg	2,8–5,2 kg	2,9–5,3 kg		
Nominali įtampa		Nuol. sr. 36 V–40 V maks.					

- Atliekame tęstinius tyrimus ir nuolat tobuliname savo gaminius, todėl čia pateikiamos specifikacijos gali būti keičiamos be įspėjimo.
- Skirtingose šalyse specifikacijos gali skirtis.
- Svoris priklauso nuo priedo (-ų), įskaitant akumulatoriaus kasetę. Lengviausias ir sunkiausias deriniai nurodyti lentelėje.

Tinkama akumulatoriaus kasetė ir (arba) įkroviklis

Akumulatoriaus kasetė	BL4020 / BL4025* / BL4040* / BL4040F* / BL4050F* / BL4080F* *: rekomenduojamas akumulatorius
Įkroviklis	DC40RA / DC40RB / DC40RC / DC40WA / BCC01 / BCC02

- Atsižvelgiant į gyvenamosios vietos regioną, kai kurios pirmiau nurodytos akumulatoriaus kasetės ir įkrovikliai gali būti neprieinami.

ĮSPĖJIMAS: Naudokite tik akumulatoriaus kasetes ir įkroviklius, kurie nurodyti anksčiau. Naudojant bet kurias kitas akumulatoriaus kasetes ir įkroviklius, gali kilti sužeidimo ir gaisro pavojus.

Rekomenduojamas laidu prijungiamas maitinimo šaltinis

Nešiojamasis maitinimo šaltinis	PDC01 / PDC1200 / PDC1500
---------------------------------	---------------------------

- Atsižvelgiant į gyvenamosios vietos regioną, pirmiau nurodytas (-i) laidu prijungiamas (-i) maitinimo šaltinis (-iai) gali būti neprieinamas (-i).
- Prieš naudodami laidu prijungiamą maitinimo šaltinį, perskaitykite instrukciją ir ant jų pateiktus perspėjimus.

Simboliai

Toliau yra nurodyti simboliai, kurie gali būti naudojami įrangai. Prieš naudodami įsitinkite, kad suprantate jų reikšmę.



Visada dirbkite laikydami dviem rankomis.



Vykdydami nupjovimo operacijas, nenaudokite disko apsaugo.



Perskaitykite instrukcijų vadovą.



Dėvėkite akių apsaugos priemones.



Taikoma tik ES šalims

Kadangi įrangoje yra pavojeingų komponentų, panaudota elektrinė ir elektroninė įranga, akumulatoriai ir baterijos gali turėti neigiamo poveikio aplinkai ir žmonių sveikatai.

Nešalinkite elektros ir elektroninių prietaisų ar baterijų kartu su buitiniams atliekomis! Pagal Europos direktyvą dėl elektros ir elektroninės įrangos atliekų bei akumuliatorių ir baterijų ir panaudotų akumuliatorių ir baterijų bei jos pritaikymą nacionaliniams įstatymams, panaudota elektros ir elektroninė įranga, baterijos ir akumulatoriai turi būti surenkami atskirai ir pristatomi į atskirą buitinių atliekų surinkimo punktą, kuris veikia pagal aplinkos apsaugos taisykles. Tai rodo perbrauktas konteinerio ant ratukų simbolis, pateiktas ant įrangos.

Numatytoji naudojimo paskirtis

Įrankis yra skirtas šlifuoti, šlifuoti šlifavimo popieriumi, šveisti vieliniu šepečiu, kiaurymėms pjauti, metalui ir akmeniui pjauti nenaudojant vandens.

Triukšmas

Įprastas triukšmo A lygis, nustatytas pagal EN62841-2-3:

Modelis	Garso slėgio lygis (L_{pA}): (dB (A))	Garso galios lygis (L_{WA}): (dB (A))	Paklaida (K): (dB (A))
GA027G	84	92	3
GA028G	84	92	3
GA029G	85	93	3
GA030G	84	92	3
GA031G	84	92	3
GA032G	85	93	3

PASTABA: Paskelbta (-os) triukšmo reikšmė (-ės) nustatyta (-os) pagal standartinį testavimo metodą ir jį galima naudoti vienam įrankiui palyginti su kitu.

PASTABA: Paskelbta (-os) triukšmo reikšmė (-ės) taip pat gali būti naudojama (-os) norint preliminariai įvertinti triukšmo poveikį.

⚠️ JSPĖJIMAS: Dėvėkite ausų apsaugą.

⚠️ JSPĖJIMAS: Faktiškai naudojant elektrinį įrankį, keliamo triukšmo dydis gali skirtis nuo paskelbtos (-ų) reikšmės (-ių), priklausomai nuo būdų, kuriais yra naudojamas šis įrankis, ir ypač nuo to, kokio tipo ruošinys apdirbamas.

⚠️ JSPĖJIMAS: Siekdami apsaugoti operatorių, būtinai įvertinkite saugos priemones, remdamiesi vibracijos poveikio įvertinimu esant faktinėms naudojimo sąlygoms (atsižvelgdami į visas darbo ciklo dalis, pavyzdžiui, ne tik kiek laiko įrankis veikia, bet ir kiek kartų jis yra išjungiamas bei kai jis veikia be apkrovų).

⚠️ JSPĖJIMAS: Šlifuojant plonus metalinius lakštus arba kitas lengvai vibruojančias didelio paviršiaus ploto konstrukcijas, bendrasis triukšmo lygis gali būti gerokai aukštesnis (iki 15 dB) nei deklaruojamos triukšmo emisijos vertės.

Ant tokių ruošinių uždėkite sunkius ir lanksčius paklotus ar pan., kad sumažintumėte skleidžiamą triukšmą.

Atsižvelkite į padidėjusį triukšmingumą tiek vertindami triukšmo poveikio pavojų, tiek ir rinkdamiesi adekvačias klausos apsaugos priemones.

Vibracija

Vibracijos bendroji vertė (trიაšio vektoriaus suma) nustatyta pagal EN62841-2-3 standartą:

Darbo režimas: paviršiaus šlifavimas naudojant normalią šoninę rankeną

Modelis	Vibracijos emisija ($a_{h, AG}$): (m/s^2)	Paklaida (K): (m/s^2)
GA027G	4,5	1,5
GA028G	5,0	1,5
GA029G	6,0	1,5
GA030G	4,5	1,5

Modelis	Vibracijos emisija ($a_{h, AG}$): (m/s^2)	Paklaida (K): (m/s^2)
GA031G	5,0	1,5
GA032G	6,0	1,5

Darbo režimas: paviršiaus šlifavimas naudojant antivibracinę šoninę rankeną

Modelis	Vibracijos emisija ($a_{h, AG}$): (m/s^2)	Paklaida (K): (m/s^2)
GA027G	4,5	1,5
GA028G	5,0	1,5
GA029G	6,5	1,5
GA030G	4,5	1,5
GA031G	5,0	1,5
GA032G	6,5	1,5

Darbo režimas: diskinis šlifavimas naudojant normalią šoninę rankeną

Modelis	Vibracijos emisija ($a_{h, DS}$): (m/s^2)	Paklaida (K): (m/s^2)
GA027G	2,5 m/s^2 arba mažiau	1,5
GA028G	2,5	1,5
GA029G	3,0	1,5
GA030G	2,5 m/s^2 arba mažiau	1,5
GA031G	2,5	1,5
GA032G	3,0	1,5

Darbo režimas: diskinis šlifavimas naudojant antivibracinę šoninę rankeną

Modelis	Vibracijos emisija ($a_{h, DS}$): (m/s^2)	Paklaida (K): (m/s^2)
GA027G	2,5 m/s^2 arba mažiau	1,5
GA028G	2,5	1,5
GA029G	3,0	1,5
GA030G	2,5 m/s^2 arba mažiau	1,5
GA031G	2,5	1,5
GA032G	3,0	1,5

PASTABA: Paskelbta (-os) vibracijos bendroji (-osios) reikšmė (-ės) nustatyta (-os) pagal standartinį testavimo metodą ir jį galima naudoti vienam įrankiui palyginti su kitu.

PASTABA: Paskelbta (-os) vibracijos bendroji (-osios) reikšmė (-ės) taip pat gali būti naudojama (-os) norint preliminariai įvertinti vibracijos poveikį.

⚠️ JSPĖJIMAS: Faktiškai naudojant elektrinį įrankį, keliamos vibracijos dydis gali skirtis nuo paskelbtos (-ų) reikšmės (-ių), priklausomai nuo būdų, kuriais yra naudojamas šis įrankis, ir ypač nuo to, kokio tipo ruošinys apdirbamas.

⚠️ JSPĖJIMAS: Siekdami apsaugoti operatorių, būtina įvertinkite saugos priemones, remdamiesi vibracijos poveikio įvertinimu esant faktinėms naudojimo sąlygoms (atsižvelgdami į visas darbo ciklo dalis, pavyzdžiui, ne tik kiek laiko įrankis veikia, bet ir kiek kartų jis yra išjungiamas bei kai jis veikia be apkrovų).

⚠️ JSPĖJIMAS: Paskelbtasis keliamos vibracijos dydis galioja naudojant šį elektrinį įrankį pagrindiniams, numatytiems darbams atlikti. Tačiau, jeigu įrankis naudojamas kitiems darbams atlikti, keliamos vibracijos dydis gali būti kitoks.

Atitikties deklaracijos

Tik Europos šalis

Atitikties deklaracijos įtrauktos į šios naudojimo instrukcijos A priedą.

SAUGOS ĮSPĖJIMAI

Bendrieji įspėjimai dirbant elektriniais įrankiais

⚠️ JSPĖJIMAS Perskaitykite visus saugos įspėjimus, nurodymus, peržiūrėkite paveikslėlius ir technines sąlygas, pateiktas su šiuo elektriniu įrankiu. Nesilaikant toliau pateiktų nurodymų, galima patirti elektros šoką, sunkų sužalojimą ir (arba) sukelti gaisrą.

Išsaugokite visus įspėjimus ir instrukcijas, kad galėtumėte jas peržiūrėti ateityje.

Terminas „elektrinis įrankis“ pateiktuose įspėjimuose reiškia į maitinimo tinklą jungiamą (laidinį) elektrinį įrankį arba akumulatoriaus maitinamą (belaidį) elektrinį įrankį.

Saugos įspėjimai dėl akumulatorinio šlifauklio naudojimo

Toliau pateikti bendrieji saugos įspėjimai šlifuojant, šlifuojant šlifavimo popieriumi, šveičiant vieliniu šepetčiu ir atliekant nupjovimo darbus.

1. Šis elektrinis įrankis skirtas naudoti kaip šlifauklis, šlifuojuvas šlifavimo popieriumi, vielinis šepetys, kiaurymių pjaustytuvas ir pjaustymo įrankis. Perskaitykite visus saugos įspėjimus, nurodymus, peržiūrėkite paveikslėlius ir specifikacijas, pateiktas su šiuo elektriniu įrankiu. Nesilaikant toliau pateiktų nurodymų, galima patirti elektros šoką, sunkų sužalojimą ir (arba) sukelti gaisrą.
2. Su šiuo elektriniu įrankiu nerekomenduojama atlikti tokių darbų kaip poliravimas. Atliekant darbus, kuriems elektrinis įrankis nebuvo sukurtas, gali kilti pavojus ir galima susižaloti.
3. Nekonvertuokite šio elektrinio įrankio siekdami eksploatuoti jį įrankio gamintojo nenurodytu būdu. Dėl tokių konvertavimo darbų rizikuojama prarasti naudojamo įrankio kontrolę ir sunkiai susižaloti.
4. Nenaudokite priedų, kurių įrankio gamintojas konkrečiai nesuprojektavo ir nenurodė naudoti su įrankiu. Net jei priedą galima pritaisyti prie jūsų elektrinio įrankio, tai vis tiek neužtikrina saugios eksploatacijos.
5. Vardinis priedo sukimosi greitis turi būti bent jau lygus maksimaliam greičiui, nurodytam ant elektrinio įrankio. Greičiau nei vardinis greitis besisukdami priedai gali sulūžti ir atsiskirti.
6. Priedo išorinis skersmuo ir storis turi atitikti elektrinio įrankio pajėgumo kategoriją. Netinkamo dydžio priedų negalima tinkamai apsaugoti ar valdyti.
7. Priedo įtvoro matmenys turi atitikti elektrinio įrankio montavimo įrangos matmenis. Priedai, kurie neatitinka elektrinio įrankio montavimo įrangos, bus nesubalansuoti, pernelyg vibruos ir gali tapti nevaldomi.
8. Nenaudokite sugadinto priedo. Kiekvieną kartą prieš naudodami įrankį patikrinkite jo priedus, pvz., ar šlifavimo diskai nenudaužyti ir nesutrūkę, ar nėra atraminųjų padų įtrūkių, plyšių, ar jie ne per daug nusidėvėję, ar nėra iškritusių vielinio šepetio vielų ir ar jos nenulūžusios. Jei elektrinis įrankis ar priedas numetamas, patikrinkite, ar jis nesugadintas, arba įdėkite nesugadintą priedą. Patikrinę ir įdėję priedą, atsitraukite nuo besisukančio priedo plokštumos ir paprašykite, kad pašaliniai asmenys atsitrauktų, tuomet vieną minutę leiskite elektriniam įrankiui veikti maksimaliu greičiu be apkrovos. Sugadinti priedai paprastai šiuo

bandomojuo laikotarpiu sulūžta.

9. Naudokite asmenines apsaugos priemones. Atsižvelgdami į naudojimo pobūdį, naudokite apsauginį veido skydelį arba apsauginius akinius. Kaip pridera, mūvėkite pirštines, dėvėkite apsaugos nuo dulkių kaukę, klausos apsaugos priemones ir dirbtuvės prijuostę, sulaukiančią smulkius abrazyvus ar ruošinio skeveldras. Akių apsaugos priemonės turi sulaukyti skriejančias nuolaužas, susidarančias atliekant įvairius darbus. Dulkių kaukė arba respiratorius turi tinkamai išfiltruoti konkretų darbą dirbant susidariusias daleles. Dėl intensyvaus ilgalaikio triukšmo galima prarasti klausą.
10. Pašaliniai asmenys turi laikytis toliau nuo darbo vietos. Kiekvienas, užimančias į darbo vietą, turi dėvėti asmenines apsaugos priemones. Ruošinio ar sulūžusio priedo skeveldros gali nuskrieti toliau ir sužeisti asmenis, esančius už tuomet atliekamo darbo zonas.
11. Laikykite elektrinį įrankį tik už izoliuotų paviršių, jei pjovimo įrankis gali paliesti nematomus laidus. Jei tvirtinimo detalės palies laidą su įtampa, elektrinio įrankio metalinėmis dalimis taip pat gali imti tekėti srovė, todėl operatorius gali patirti elektros šoką.
12. Niekada nepadėkite šio elektrinio įrankio, kol jo priedas nėra visiškai sustojęs. Greitai besisukantis priedas gali užkabinti paviršių ir jūs galite nebesuvaldyti elektrinio įrankio.
13. Įrankis, nešamas prie šono, turi būti išjungtas. Greitai besisukantis priedas gali atsitiktinai užkabinti jūsų drabužius ir jus sužaloti.
14. Reguliariai valykite elektrinio įrankio oro ventiliacijos angas. Variklio ventiliatorius traukia dulkes į korpuso vidų ir dėl per didelių metalo dulkių sankaupų gali kilti su elektros įranga susijęs pavojus.
15. Nenaudokite elektrinio įrankio būdami netoliese liepsniųjų medžiagų. Nuo kibirkščių šios medžiagos gali užsidegti.
16. Nenaudokite priedų, kuriems reikalingi skystieji aušalai. Naudojant vandenį ar kitą skystį, gali ištikti mirtina elektros trauma ar elektros šokas.

Atatranka ir su ja susiję įspėjimai

Atatranka yra staigi reakcija į suspaustą arba sugriebtą besisukančią diską, atraminį padėklą, šepetį ar kitą priedą. Suspaudimas arba sugnybimas sukelia staigų besisukančio priedo sulaukymo, dėl to nevaldomo elektrinis įrankis sulaukymo taške verčiamas judėti priešinga priedo sukimuisi kryptimi. Pavyzdžiui, jei šlifavimo diską suspaudžia ruošinys, disko kraštas, kuris patenka į suspaudimo tašką, gali įsmigti į medžiagos paviršių ir dėl to diskas atšoks. Diskas gali atšokti į operatorių arba nuo jo; tai priklauso nuo disko sukimosi krypties suspaudimo metu. Tokiu atveju šlifavimo diskai gali papildomai suskilti. Atatranka yra piktnaudžiavimo elektriniu įrankiu ir (arba) netinkamu darbo procedūrų ar sąlygų rezultatas, jos galima išvengti vadovaujantis toliau nurodytomis atsargumo priemonėmis.

1. Tvirtai laikykite elektrinį įrankį abiem rankomis ir stovėkite taip, kad jūsų kūnas bei ranka netrukdytų priešintis atatrankos jėgoms. Visada naudokite pagalbines rankenas (jei yra),

- siekdami užtikrinti maksimalią atatranksos bei sukimo momento reakcijos kontrolę paleidimo metu. Operatorius gali suvaldyti sukimo momento reakciją bei atatranksos jėgą, jei imsis atitinkamų atsargumo priemonių.
- Niekada nelaikykite rankos šalia besisukančio priedo.** Priedas gali atsitrengti į jūsų ranką.
 - Nebūkite toje zonoje, kurios link judės elektrinis įrankis, jei įvyks atatranka.** Atatranka pastums įrankį priešinga disko sukimuisi kryptimi suspaudimo taške.
 - Būkite itin atidūs dirbdami prie kampų, aštrių kraštų ir pan. Venkite priedo atšokimo ir suspaudimo.** Besisukantis priedas gali užsikabinti ar atsitrengti į kampus, aštrius kraštus ir sukelti atatranką, o dėl to galima prarasti įrankio kontrolę.
 - Nenaudokite pjūklo grandinės, medžio raizymo disko, segmentuoto deimantinio disko, jeigu šoninis tarpelis yra didesnis nei 10 mm, arba dantytojo pjovimo disko.** Tokie diskai dažnai sukelia atatranką ir įrankio kontrolės problemų.

Saugos įspėjimai, susiję su šlifavimo ir nupjovimo veiksmais

- Naudokite tik tuos diskus, kurie nurodyti naudoti su elektriniu įrankiu, ir specialią tam diskui skirtą apsaugą.** Diskai, kurie netinka elektriniam įrankiui, negali būti tinkamai apsaugoti ir yra nesaugūs.
- Sumontuotų diskų su įspaustu centru šlifavimo paviršius privalo būti žemiau apsaugo krašto plokštumos.** Netinkamai sumontuoto disko, kuris kyšo pro apsaugo krašto plokštumą, nebūs galima tinkamai apsaugoti.
- Apsaugas turi būti tinkamai pritvirtintas prie elektrinio įrankio.** Siekiant apsaugoti kuo labiau, jis turi būti nustatytas taip, kad kuo mažesnė disko dalis galėtų paveikti operatorių. Apsaugas padeda apsaugoti operatorių nuo atskilusių disko dalelių ir netyčinio prisilietimo prie disko bei kibirkščių, kurios gali uždegti drabužius.
- Diskai turi būti naudojami tik nurodytiems darbams atlikti.** Pavyzdžiui, nešlifukokite nupjovimo disko šonu. Šlifavimo-nupjovimo diskai yra skirti periferinio šlifavimo operacijoms atlikti, todėl diskus veikiančios šoninės jėgos juos gali suskaldyti.
- Visada naudokite tik nesugadintas diskų junges, kurios pasirinktas diskui yra tinkamo dydžio bei formos.** Tinkamos diskų jungės prilaiko diską, mažindamos disko trūkimo tikimybę. Nupjovimo diskams skirtos jungės gali skirtis nuo šlifavimo diskų jungių.
- Nenaudokite nusidėvėjusių diskų nuo didesnių elektrinių įrankių.** Didiesiems elektriniams įrankiams skirti diskai netinka greičiau besisukančiam mažesniajam įrankiui: jie gali sutrūkti.
- Naudojant dvejopos paskirties diskus, būtina naudoti tinkamą apsaugą, parenkamą pagal atliekamą darbą.** Jei nenaudosite tinkamo apsaugo, gali nebūti užtikrintas pageidaujamas apsaugos lygis ir dėl to galimi sunkūs sužalojimai.

Papildomi saugos įspėjimai, susiję su nupjovimo veiksmais

- Nestrigdykite nupjovimo disko ir pernelių jo nespaukite.** Nebandykite pjauti pernelių giliai. Per stipriai spaudžiant, padidėja apkrova ir disko persikreipimo ar užstrigimo pјjvyje tikimybė bei atatranksos ar disko lūžimo galimybė.
- Nebūkite besisukančio disko linijoje.** Kai diskas veiktmo taške juda nuo jūsų kūno, galima atatranka gali pastumti besisukančią diską ir elektrinį įrankį tiesiai į jus.
- Kai diskas užstrigo arba kai įjunkimas dėl kitų priežasčių nutraukiamas, išjunkite elektrinį įrankį ir nejudinkite jo, kol diskas visiškai nenustos sukstis.** Niekada nebandykite išimti nupjovimo disko iš pјjuvio, kai diskas sukasi, nes gali įvykti atatranka. Ištrikite ir imkitės tinkamų veiksmų, kad pašalintumėte disko užstrigimo priežastį.
- Nepradėkite iš naujo pjauti, kai diskas ruošinyje.** Leiskite, kad diskas pasiektų visą greitį ir tik tada atsargiai įleiskite jį į pјjuvį. Diskas gali įstrigti, iššokti arba atšokti, jei elektrinis įrankis bus iš naujo paleistas diskui esant ruošinyje.
- Plokštes ar kitus per didelio dydžio ruošinius paremkite ir taip sumažinkite pavojų, kad diskas bus suspaustas ir įvyks atatranka.** Dideli ruošiniai linksta dėl savo pačių svorio. Ruošinį reikia paremti iš abiejų disko pusių, šalia pјjovimo linijos ir prie ruošinio krašto.
- Būkite ypač atsargūs, kai darote „kišeninį“ pјjvį sienose ar kituose aklinuose plotuose.** Atsikišęs diskas gali prapjauti dujų ar vandens vamzdžius, elektros laidus arba objektus, kurie gali sukelti atatranką.
- Nebandykite daryti kreivinio pјjuvio.** Per stipriai spaudžiant, padidėja apkrova ir disko persikreipimo ar užstrigimo pјjvyje tikimybė, atatranksos ar disko lūžimo bei rimto susižalojimo galimybė.
- Prieš naudodami segmentuotą deimantinį diską, įsitikinkite, ar periferiniai tarpeliai tarp deimantinio disko segmentų yra 10 mm arba mažesni, tik neigiamo nuolydžio kampo.**

Specialūs saugos įspėjimai atliekant šlifavimo darbus šlifavimo popieriumi

- Naudokite tinkamo dydžio šlifavimo popieriaus diską.** Kai renkatės šlifavimo popierių, laikykitės gamintojo rekomendacijų. Didesnis šlifavimo popierius, kuris išsikiša per toli už šlifavimo padėklo ribų, gali sukelti įplėšimo pavojų, dėl to gali lūžti diskas arba įvykti atatranka.

Specialūs saugos įspėjimai dirbant su vieliniu šepečiu

- Atkreipkite dėmesį, kad vieliniai šereliai krinta iš šepečio netgi įprasto naudojimo metu.** Neperspauskite šerelių ir pernelių nespaukite šepečio. Vieliniai šereliai gali lengvai pradurti ploną drabužių ir (arba) odą.
- Jei nurodyta naudoti vielinio šepečio apsaugą, neleiskite, kad vielinis diskas ar šečetys būtų naudojami be apsaugo.** Vielinio disko ar šepečio skersmuo dėl darbinio krūvio ir išcentrinųjų jėgų poveikio gali padidėti.

Papildomi saugos įspėjimai:

- Naudodami nuspauštus centrinius šlifavimo diskus, būtinai naudokite tik stiklo pluoštą**

sustiprintus diskus.

2. Su šiuo šlifuoekliu NIEKADA NENAUDOKITE taurelės formos akmeninio šlifavimo disko. Šis šlifuoeklis nėra skirtas naudoti su šio disko kiais, todėl naudojant tokį gaminį galima sunkiai susižeisti.
3. Nepažeiskite veleno, jungės (ypač montavimo paviršiaus) ir fiksavimo galvutės. Dėl šių dalių pažeidimų gali lūžti diskas.
4. Prieš įjungdami jungiklį patikrinkite, ar diskas nesiliečia su ruošiniu.
5. Prieš naudodami įrankį su ruošiniu, leiskite jam kurį laiką veikti be apkrovos. Stebėkite, ar nėra vibracijos ar klibėjimo, rodančio, jog blogai surinkta ar kad blogai subalansuotas diskas.
6. Šlifavimui naudokite nurodyto paviršiaus diską.
7. Nepalikite veikiančio įrankio. Naudokite įrankį tik laikydami rankomis.
8. Nelieskite ruošinio iškart po naudojimo; jis gali būti itin karštas ir nudeginti odą.
9. Nelieskite priedų iš karto po naudojimo; jie gali būti itin karšti ir nudeginti odą.
10. Laikykitės gamintojo nurodymų dėl tinkamo diskų ir priedų sumontavimo bei naudojimo. Netinkamai sumontavus ar naudojant, galima susižaloti.
11. Su diskais elkitės ir juos sandėliuokite rūpestingai.
12. Nenaudokite atskirų mažinimo įvorių arba adapterių, skirtų didelių skylių šlifuojamiems diskams uždėti.
13. Naudokite tik šiam įrankiui nurodytas junges.
14. Jei naudojate įrankius, kuriems skirti diskai su sriegiu, įsitinkinkite, ar sriegis diske yra pakankamai ilgas, kad tiktų veleno ilgis.
15. Patikrinkite, ar ruošinys yra tinkamai palaikomas.
16. Atkreipkite dėmesį, kad išjungus įrankį diskas toliau sukasi.
17. Jei darbo vieta yra ypač karšta ir drėgna arba labai užteršta laidžiomis dulkėmis, naudokite užtrumpinimo pertraukiklį (30 mA), kad užtikrintumėte naudojimo saugumą.
18. Nenaudokite įrankio su bet kokiomis medžiagomis, kuriose yra asbesto.
19. Kai naudojate nupjovimo diską, visuomet dirbkite su dulkes renkančiu disku apsaugę, jei jo reikalaujama pagal vietines taisykles.
20. Pjovimo diskų negalima spausiti iš šonų.
21. Nenaudokite medžiaginių pirštinių darbo metu. Medžiaginių pirštinių audinio pluoštų gali patekti į įrankį, todėl įrankis gali sugesti.
22. Prieš dirbdami įsitinkinkite, kad nėra jokio paslėpto daikto, pavyzdžiui, elektros vamzdžio, vandens vamzdžio arba dujų vamzdžio ruošinyje. Antraip jis gali sukelti elektros smūgį, elektros arba dujų nuotėkį.
23. Jei prie disko prijungta tvirtinimo dalis, šios nenuimkite. Tvirtinimo dalies skersmuo turi būti didesnis nei fiksavimo veržlės, išorinės jungės ir vidinės jungės.

24. Prieš montuodami šlifavimo diską, visada patikrinkite, ar tvirtinimo dalis neturi jokių defektų, pavyzdžiui, atplaišų arba įtrūkimų.
25. Tinkamai priveržkite fiksavimo veržlę. Priveržus diską per daug, jis gali trūkti, o priveržus nepakankamai – virpėti.

SAUGOKITE ŠIAS INSTRUKCIJAS.

ĮSPĖJIMAS: NELEISKITE, kad patogumas ir gaminio pažinimas (gyjamas pakartotinai naudojant) susilpnintų griežtą saugos taisyklių, taikytinų šiam gaminiui, laikymąsi. Dėl NETINKAMO NAUDOJIMO arba saugos taisyklių, kurios pateiktos šioje instrukcijoje, nesilaikymo galima rimtai susižeisti.

Svarbios saugos instrukcijos, taikomos akumulatoriaus kasetei

1. Prieš naudodami akumulatoriaus kasetę, perskaitykite visas instrukcijas ir perspėjimus ant (1) akumulatorių įkroviklio, (2) akumulatorių ir (3) akumulatorių naudojančio gaminio.
2. Neardykite ir negadinkite akumulatoriaus kasetės. Dėl to ji gali užsidegti, per daug įkaisti arba sprogti.
3. Jei įrankio darbo laikas žymiai sutrumpėjo, nedelsdami nutraukite darbą su įrankiu. Tai gali kelti perkaitimo, nudegimų ar net sprogimo pavojų.
4. Jei elektrolitas pateko į akis, plaukite jas tyru vandeniu ir nedelsdami kreipkitės į gydytoją. Gali kilti regėjimo praradimo pavojus.
5. Neužtrumpinkite akumulatoriaus kasetės:
 - (1) Nelieskite kontaktų degiomis medžiagomis.
 - (2) Venkite laikyti akumulatoriaus kasetę kartu su kitais metaliniais daiktais, pavyzdžiui, vinimis, monetomis ir pan.
 - (3) Saugokite akumulatoriaus kasetę nuo vandens ir lietaus.Trumpasis jungimas akumulatoriuje gali sukelti stiprią srovę, perkaitimą, galimus nudegimus ar net akumulatoriaus gedimą.
6. Nelaikykite ir nenaudokite įrankio ir akumulatoriaus kasetės vietoje, kur temperatūra gali pasiekti ar viršyti 50 °C (122 °F).
7. Nedeginkite akumulatoriaus kasetės, net jei yra stipriai pažeista ar visiškai susidėvėjusi. Ugnyje akumulatoriaus kasetė gali sprogti.
8. Akumulatoriaus kasetės nekalkite, nepjaustykite ir nemėtykite ir taip pat į ją netrankykite kietu daiktu. Taip elgiantis, ji gali užsidegti, per daug įkaisti arba sprogti.
9. Nenaudokite pažeisto akumulatoriaus.
10. Įdėtomis ličio jonų akumulatoriams taikomi Pavojingų prekių teisės akto reikalavimai. Komercinis transportas, pvz., trečiųjų šalių, prekių vežimo atstovų, turi laikytis specialaus reikalavimo ant pakuočių ir ženklavimo. Norėdami paruošti siųstiną prekę, pasitarkite su pavojingų medžiagų specialistu. Be to, laikykitės

galimai išsamesnių nacionalinių reglamentų. Užklijuokite juosta arba padenkite atvirus kontaktus ir supakuokite akumuliatorių taip, kad ji pakuo-
tėje nejudėtų.

11. Kai išmetate akumulatoriaus kasetę, išimkite ją iš įrankio ir išmeskite saugioje vietoje. Vadovaukitės vietos reglamentais dėl akumuliatorių išmetimo.
12. Baterijas naudokite tik su „Makita“ nurodytais gaminiais. Baterijas įdėjus į netinkamus gaminius gali kilti gaisras, gaisras pernelyg kaisti, kilti sprogdimas arba pratekėti elektrolitas.
13. Jei įrankis bus ilgą laiką nenaudojamas, akumuliatorių būtina išimti iš įrankio.
14. Darbo metu ir po akumulatoriaus kasetę gali būti įkaitusi ir dėl to nudeginti. Imdami akumulatoriaus kasetes, būkite atsargūs.
15. Tuojau pat po naudojimo nelieskite įrankio gnybtų, nes jie gali būti įkaitę tiek, kad nudegins.
16. Neleiskite, kad į akumulatoriaus kasetės gnybtus, angas ir griovelius patektų drožlių, dulkių ar žemių. Jos gali sukelti kaitimą, užsidegti, sprogti ir sukelti įrankio ar akumulatoriaus kasetės gedimą, dėl ko galima nusideginti ar susižaloti.
17. Jeigu įrankis nėra pritaikytas naudoti šalia aukštos įtampos elektros linijų, akumulatoriaus kasetės nenaudokite šalia aukštos įtampos elektros linijų. Dėl to gali sutrikti įrankio ar akumulatoriaus kasetės veikimas arba jie gali sugesti.
18. Laikykite akumuliatorių vaikams nepasiekiamoje vietoje.

SAUGOKITE ŠIAS INSTRUKCIJAS.

⚠ PERSPĖJIMAS: Naudokite tik originalų „Makita“ akumuliatorių. Neoriginalaus „Makita“ arba pakeisto akumulatoriaus naudojimas gali nulemti gaisrą, asmens sužalojimą ir pažeidimą. Tai taip pat panaikina „Makita“ suteikiamą „Makita“ įrankio ir įkroviklio garantiją.

Patarimai, ką daryti, kad akumulatorius veiktų kuo ilgiau

1. Pakraukite akumulatoriaus kasetę prieš jai visiškai išsikraunant. Visuomet nustokite naudoti įrankį ir pakraukite akumulatoriaus kasetę, kai pastebite, kad įrankio galia sumažėjo.
2. Niekada nekraukite iki galo įkrautos akumulatoriaus kasetės. Perkraunant trumpėja akumulatoriaus eksploatacijos laikas.
3. Akumulatoriaus kasetę kraukite esant kambario temperatūrai 10 - 40 °C. Prieš pradėdami krauti, leiskite įkaitusiai akumulatoriaus kasetei atvėsti.
4. Kai akumulatoriaus kasetės nenaudojate, ją išimkite iš įrankio ar įkroviklio.
5. Įkraukite akumulatoriaus kasetę, jei jos nenaudojate ilgą laiką (ilgiau nei šešis mėnesius).

Svarbios saugumo instrukcijos dėl belaidžio bloko

1. Neardykite ir nekeiskite belaidžio bloko.
2. Laikykite belaidį bloką vaikams nepasiekiamoje vietoje. Netyčia prarijus reikia nedelsiant kreiptis į medikus.
3. Naudokite belaidį bloką tik su „Makita“ įrankiais.
4. Saugokite belaidį bloką nuo lietaus ir nenaudokite jo esant drėgnoms oro sąlygoms.
5. Nenaudokite belaidžio bloko vietose, kur temperatūra viršija 50 °C.
6. Nenaudokite belaidžio bloko netoli medicinos instrumentų, pavyzdžiui, širdies stimuliatorių.
7. Nenaudokite belaidžio bloko netoli automati-
nių prietaisų. Automatiniai prietaisai gali sugesti arba gali įvykti klaida.
8. Nenaudokite belaidžio bloko ten, kur gali padidėti temperatūra arba atsirasti statinis elektros krūvis arba elektrinis triukšmas.
9. Belaidis blokas gali sukurti elektromagnetinius laukus (EML), bet jie naudotojui nekenksmingi.
10. Belaidis blokas yra tikslusis instrumentas. Saugokite belaidį bloką nuo kritimo ir smūgių.
11. Nelieskite belaidžio bloko kontakto plikomis rankomis arba metaliniais įrankiais.
12. Įdėdami belaidį bloką visada išimkite gaminio akumuliatorių.
13. Atidarydami angos dangtelį venkite vietų, kur į ją gali patekti dulkių ir vandens. Anga visada turi būti švari.
14. Belaidį bloką visada dėkite reikiama kryptimi.
15. Per smarkiai nespauskite belaidžio aktyvinimo mygtuko ant belaidžio bloko, nespauskite jo aštriu daiktu.
16. Dirbdami visada uždarykite angos dangtelį.
17. Kai įrankiui tiekiamas maitinimas, niekada neimkite belaidžio bloko iš angos. Kitaip belaidis blokas gali sugesti.
18. Nenuimkite lipduko nuo belaidžio bloko.
19. Neklijuokite jokio lipduko ant belaidžio bloko.
20. Nepalikite belaidžio bloko ten, kur gali atsirasti statinis elektros krūvis arba elektrinis triukšmas.
21. Nepalikite belaidžio bloko karštoje vietoje, pavyzdžiui, automobilyje prieš saulę.
22. Nepalikite belaidžio bloko dulkečioje ar miltuotoje vietoje arba ten, kur gali atsirasti išdinančiųjų dujų.
23. Nuo staigaus temperatūros pokyčio belaidis blokas gali aprasoti. Nenaudokite belaidžio bloko, kol rasa visiškai nenudžiūvo.
24. Norėdami nuvalyti belaidį bloką, švelniai paval-
kykite sausa minkšta šluoste. Nenaudokite benzino, skiediklio, laidaus tepalo ir panašių medžiagų.
25. Laikykite belaidį bloką pridėtame dėkle arba nuo statinio krūvio apsaugotoje taroje.
26. Nekiškite į įrankio angą jokių kitų prietaisų, išskyrus „Makita“ belaidį bloką.
27. Nenaudokite įrankio, kurio angos dangtelis

pažeistas. Į angą patekęs vanduo, dulkės ir purvas gali jį sugadinti.

28. **Netraukite ir (arba) nesukite angos dangtelio daugiau, nei reikia.** Atstatykite dangtelį į vietą, jei jis nukrinta nuo įrankio.
29. **Pakeiskite angos dangtelį, jei jo nėra arba jis pažeistas.**

SAUGOKITE ŠIAS INSTRUKCIJAS.

VEIKIMO APRAŠYMAS

▲PERSPĖJIMAS: Prieš pradėdami reguliuoti arba tikrinti įrankio veikimą, visuomet būtina išjunkite įrankį ir išimkite akumuliatoriaus kasetę.

Akumuliatoriaus kasetės uždėjimas ir nuėmimas

▲PERSPĖJIMAS: Prieš įdėdami arba išimdami akumuliatoriaus kasetę, visada išjunkite įrankį.

▲PERSPĖJIMAS: Įdėdami arba išimdami akumuliatoriaus kasetę, tvirtai laikykite įrankį ir akumuliatoriaus kasetę. Jeigu įrankį ir akumuliatoriaus kasetę laikysite netvirtai, jie gali išslysti iš jūsų rankų, todėl įrankis ir akumuliatoriaus kasetė gali būti sugadinti, o naudotojas sužalotas.

Jei norite įdėti akumuliatoriaus kasetę, ant akumuliatoriaus kasetės esantį liežuvelį sutapdinkite su korpuse esančiu groveliu ir įstumkite į jai skirtą vietą. Įstatykite iki pat galo, kad spragtelėdama užsifiksuotų. Jeigu matote raudoną sandariklį (indikatorių), kaip parodyta paveikslėlyje, ji nėra visiškai užfiksuota.

Jei norite išimti akumuliatoriaus kasetę, ištraukite ją iš įrankio, stumdami mygtuką, esantį kasetės priekyje.

- **Pav.1:** 1. Raudonas sandariklis (indikatorius)
- 2. Mygtukas 3. Akumuliatoriaus kasetė

▲PERSPĖJIMAS: Akumuliatoriaus kasetę visada įkiškite iki galo, kol nebematysite raudono sandariklio (indikatoriaus) Priešingu atveju ji gali atsitiktinai iškristi iš įrankio ir sužeisti jus arba aplinkinius.

▲PERSPĖJIMAS: Nekiškite akumuliatoriaus kasetės jėga. Jeigu kasetė sunkiai lenda, ją kišate netinkamai.

Likusios akumuliatoriaus galios rodymas

Paspauskite akumuliatoriaus kasetės tikrinimo mygtuką, kad būtų rodoma likusi akumuliatoriaus energija. Maždaug trims sekundėms užsidegs indikatorius lemputės.

- **Pav.2:** 1. Indikatorių lemputės 2. Tikrinimo mygtukas

Indikatorių lemputės			Likusi galia
Šviečia	Nešviečia	Blyksi	
■ ■ ■ ■			75 - 100 %
■ ■ ■ □			50 - 75 %
■ ■ □ □			25 - 50 %
■ □ □ □			0 - 25 %
▬ □ □ □			Įkraukite akumuliatorių.
■ ■ □ □			Galimai įvyko akumuliatoriaus veikimo triktis.
□ □ ■ ■	↑ ↓		

PASTABA: Rodmuo gali šiek tiek skirtis nuo faktinės energijos lygio – tai priklauso nuo naudojimo sąlygų ir aplinkos temperatūros.

PASTABA: Veikiant akumuliatoriaus apsaugos sistemai ims mirksėti pirmoji (toliausiai kairėje) indikatorius lemputė.

Įrankio / akumuliatoriaus apsaugos sistema

Įrankyje įrengta įrankio / akumuliatoriaus apsaugos sistema. Ši sistema automatiškai atjungia variklio maitinimą, kad įrankis ir akumuliatorius ilgiau veiktų. Įrankis automatiškai išsijungs darbo metu esant vienai iš toliau nurodytų įrankio arba akumuliatoriaus darbo sąlygų:

Apsauga nuo perkrovos

Kai įrankis / akumuliatorius naudojamas taip, kad neįprastai padidėja elektros srovė, įrankis automatiškai išsijungia nepateikiant jokių indikatorių įspėjimų. Tokiu atveju išjunkite įrankį ir nutraukite darbą, dėl kurio kilo įrankio perkrova. Tada vėl įjunkite įrankį.

Apsauga nuo perkaitimo

Kai įrankis / akumuliatorius perkaista, įrankis automatiškai išsijungia. Prieš vėl įjungdami įrankį, leiskite jam atvėsti.

Apsauga nuo visiško išsekimo

Kai akumuliatoriaus įkrovos lygis nepakankamas, įrankis automatiškai išsijungia. Tokiu atveju ištraukite akumuliatorių iš įrankio ir įkraukite jį.

Apsauginio stabdiklio išjungimas

Pakartotinai suveikus apsaugos sistemai, įrankis yra užblokuotas.

Tokiu atveju įrankis neįsijungia net ir pabandžius jį įjungti ir vėl įjungti. Norėdami išjungti apsauginį stabdiklį, išimkite akumuliatorių, įdėkite jį į akumuliatoriaus įkroviklį ir palaukite, kol jis bus įkrautas.

Apsauga nuo kitų sutrikimų

Apsaugos sistema taip pat apsaugo nuo kitų sutrikimų, galinčių pažeisti įrankį, todėl automatiškai jį išjungia. Įrankiui laikinai sustojus arba veikimo metu išsijungus, imkitės visų toliau nurodytų veiksmų ir pašalinkite sutrikimo priežastis.

1. Užtikrinkite, kad visi jungikliai būtų išjungimo padėtyje, ir vėl įjunkite įrankį, kad vėl jį paleistumėte iš naujo.
2. Įkraukite akumuliatorių (-ius) arba jį (juos) pakeiskite įkrautu (-ais) akumuliatoriumi (-iais).
3. Palaukite, kol įrankis ir akumuliatorius (-iai) atvės.

Jei atstaciūs apsaugos sistemą veiktis nepagerėja, kreipkitės į vietas „Makita“ techninės priežiūros centrą.

Ašies fiksatorius

⚠ PERSPĖJIMAS: Niekada nejunkite ašies fiksatoriaus, kai juda velenas. Kitaip galite rimtai susižaloti arba apgadinti įrankį.

Paspauskite ašies fiksatorių, kad velenas nesisuktų, kai dedate ar nuimate priedus.

► Pav.3: 1. Ašies fiksatorius

Jungiklio veikimas

⚠ PERSPĖJIMAS: Prieš dėdami keičiamąjį akumuliatorių į įrankį, visada patikrinkite, ar svirtinis jungiklis tinkamai veikia ir atleistas grįžta į padėtį OFF (išjungta).

⚠ PERSPĖJIMAS: Jūsų pačių saugumui šiame įrankyje įrengta atlaisvinimo svirtis, kuri neleidžia netyčia įjungti įrankio. NIEKADA nenaudokite veikiančio įrankio, jeigu nuspaudėte tik svirtinį jungiklį, nepatraukę atlaisvinimo svirtelės, PRIEŠ pradėdami vėl naudoti įrankį, atiduokite jį suremontuoti į mūsų įgaliotąjį techninės priežiūros centrą.

⚠ PERSPĖJIMAS: Negalima stipriai spausti svirtinio jungiklio, nenuspaudus atlaisvinimo svirtelės. Taip galima sugadinti jungiklį.

⚠ PERSPĖJIMAS: NIEKADA neužklijuokite lipnia juoste ir nepanaikinkite atlaisvinimo svirtelės paskirties bei funkcijos.

Įtaisyta atlaisvinimo svirtelė apsaugo nuo svirtinio jungiklio atsitiktinio nuspaudimo.

Norėdami įjungti įrankį, patraukite atlaisvinimo svirtelę savęs link ir paspauskite svirtinį jungiklį.

Norėdami išjungti įrankį, atleiskite svirtinį jungiklį.

► Pav.4: 1. Atlaisvinimo svirtelė 2. Svirtinis jungiklis

Greičio reguliavimo ratukas

Prietaiso sukimosi greitį galima keisti sukant greičio reguliavimo ratuką. Toliau pateiktoje lentelėje parodytas skaičius skalėje ir atitinkamas sukimosi greitis.

► Pav.5: 1. Greičio reguliavimo ratukas

Skaičius	Greitis
1	3 000 min ⁻¹

Skaičius	Greitis
2	4 500 min ⁻¹
3	6 000 min ⁻¹
4	7 500 min ⁻¹
5	9 000 min ⁻¹

PASTABA: Jeigu prietaisu ilgą laiką be pertraukos dirbama nedideliu greičiu, variklis bus perkrautas ir prietaisas suges.

PASTABA: Greičio reguliavimo ratuką galima pasukti tik iki 5 ir atgal iki 1. Nemėginkite jo sukti už 5 ar 1 padėties, kadangi galite sugadinti greičio reguliavimo funkciją.

Apsaugos nuo netyčinio įjungimo funkcija

Jei dedant akumuliatoriaus kasetę jungiklis bus įjungtas, įrankis nepaisileis.

Norėdami paleisti įrankį, išjunkite jungiklį ir vėl jį įjunkite.

Aktyvaus grįžtamojo ryšio aptikimo technologija

Įrankio elektroniniai įtaisai aptinka situacijas, kuriose diskas arba priedas gali užstrigti. Tokiose situacijose įrankis automatiškai išsijungia, kad velenas nebūtų toliau sukamas (ši funkcija neapsaugo nuo atatrakos). Norėdami iš naujo įjungti įrankį, pirmiausia išjunkite jį, pašalinkite staiga užstrigimo priežastį, tada vėl įjunkite įrankį.

Tolygaus įjungimo funkcija

Tolygus įjungimas slopina įjungimo reakciją.

Elektrinis stabdys

Tik modeliui GA027G / GA028G / GA029G

Elektrinis stabdys suaktyvinamas išjungus įrankį. Stabdys neveikia atjungus maitinimą, pvz., atsitiktinai ištraukus akumuliatorių, tačiau neišjungus jungiklio.

SURINKIMAS

⚠ PERSPĖJIMAS: Prieš pradėdami reguliuoti arba tikrinti įrankio veikimą, visuomet būtina išjunkite įrankį ir išimkite akumuliatoriaus kasetę.

Šoninės rankenos montavimas

⚠ PERSPĖJIMAS: Prieš naudodami visuomet įsitikinkite, ar šoninė rankena yra patikimai uždėta.

Prisukite šoninę rankeną patikimai jos vietoje, kaip parodyta paveikslėlyje.

► Pav.6

Disko saugiklio uždėjimas ar nuėmimas

▲JSPĖJIMAS: Kai naudojate diską su įgaubtu centru, poliravimo diską, lankstųjį diską arba vielinį disko formos šepetėlį, apsauginis disko gaubtas turi būti uždėtas ant įrankio taip, kad uždaras apsauginio gaubto šonas visuomet būtų atsuktas į operatorių.

▲JSPĖJIMAS: Įsitikinkite, kad disko saugiklis yra tvirtai užfiksuotas fiksavimo svirtelė vienoje iš disko saugiklio skylių.

▲JSPĖJIMAS: Naudodami šlifuojamąjį pjovimo / deimantinį diską, būtinai naudokite tik specialų apsauginį gaubtą, skirtą naudoti su pjovimo diskais.

Nuspaustam centriniam diskui, poliravimo diskui, lanksčiajam diskui, vieliniam disko formos šepetėliui / šlifuojamajam nupjovimo diskui, deimantiniam diskui

1. Spausdami fiksavimo svirtelę, uždėkite disko saugiklį, išsiikišimus sutapdinami su ant jo esančiomis įrantomis ties guolių dėže.

► **Pav.7:** 1. Fiksavimo svirtelė 2. Įranta 3. Iškyša

2. Stumdami fiksavimo svirtelę link dalies A, įspauskite disko saugiklį, laikydami dalis B, kaip parodyta paveikslėlyje.

► **Pav.8:** 1. Disko saugiklis 2. Anga

PASTABA: Spauskite disko saugiklį tiesiai žemyn. Priešingu atveju negalėsite visiškai paspausti disko saugiklio.

3. Laikydami užrakto svirtelę ir disko saugiklį nustatytus į padėtį, apibūdintą 2 veiksmė, sukite disko saugiklį dalies C link, tada priklausomai nuo užduoties pakeiskite disko saugiklio kampą taip, kad operatorius būtų apsaugotas. Sulygiuokite fiksavimo svirtelę su viena iš disko saugiklio angų ir tada atlaisvinkite fiksavimo svirtelę disko saugikliui užfiksuoti.

► **Pav.9:** 1. Disko saugiklis 2. Anga

PASTABA: Iki galo paspauskite disko saugiklį. Priešingu atveju negalėsite pasukti disko saugiklio.

Jei norite išimti disko saugiklį, atlikite montavimo procedūrą atvirkščia tvarka.

Užspaudžiamasis pjovimo disko apsaugo priedas

Pasirenkamas priedas

PASTABA: Vykdam nupjovimo veiksmus, galima naudoti užspaudžiamąjį pjovimo disko apsaugo priedą su disko apsaugu (skirtu šlifavimo diskui).

Kai kuriose šalyse nesiūloma.

► **Pav.10**

Disko su įgaubtu centru arba poliravimo disko uždėjimas ir nuėmimas

Pasirenkamas priedas

▲JSPĖJIMAS: Kai naudojate diską su įgaubtu centru arba poliravimo diską, apsauginis disko gaubtas turi būti uždėtas ant įrankio taip, kad uždaras apsauginio gaubto šonas visuomet būtų atsuktas į operatorių.

▲JSPĖJIMAS: Įsitikinkite, ar vidinės jungės tvirtinimo dalis puikiai telpa į disko su įgaubtu centru / poliravimo disko vidinį skersmenį. Sumontavus vidinę jungę netinkamoje pusėje, gali kilti pavojinga vibracija.

Uždėkite vidinę jungę ant veleno.

Vidinės jungės įranyta dalis būtinai turi būti uždėta ant tiesios dalies ties veleno apačia.

Uždėkite diską su įgaubtu centru / poliravimo diską ant vidinės jungės ir užsukite ant veleno antveržlę.

► **Pav.11:** 1. Fiksavimo veržlė 2. Diskas su įgaubtu centru 3. Vidinė jungė 4. Tvirtinimo dalis

Jei norite priveržti fiksavimo galvutę, stipriai paspauskite ašies fiksatorių taip, kad velenas negalėtų sukintis, tada pasinaudokite fiksavimo galvutės raktu ir patikimai priveržkite pagal laikrodžio rodyklę.

► **Pav.12:** 1. Fiksavimo galvutės raktas 2. Ašies fiksatorius

Jei norite nuimti diską, laikykitės uždėjimo procedūros atvirkščia tvarka.

Lanksčiojo disko uždėjimas ir nuėmimas

Pasirenkamas priedas

▲JSPĖJIMAS: Visada naudokite pateiktą apsauginį gaubtą, kai ant įrankio uždėtas lankstusis diskas. Naudojimo metu diskas gali subyrėti, o apsauginis gaubtas sumažina galimybę susižeisti.

► **Pav.13:** 1. Fiksavimo veržlė 2. Lankstusis diskas 3. Atraminis pagrindas 4. Vidinė jungė

Vadovaukitės diskui su įspausu centru taikomais nurodymais, bet ant disko taip pat uždėkite atraminį pagrindą.

Šlifavimo disko uždėjimas ir nuėmimas

Pasirenkamas priedas

PASTABA: Naudokite šiame vadove išvardintus papildomus šlifavimo priedus. Juos reikia įsigyti atskirai.

Naudojant 100 mm (4") modelį

► **Pav.14:** 1. Šlifavimo priedo fiksuojamoji veržlė 2. Šlifavimo diskas 3. Guminis pagrindas 4. Vidinė jungė

1. Uždėkite vidinę jungę ant veleno.

- Uždėkite ant ašies guminį pagrindą.
 - Uždėkite diską ant guminio pagrindo ir užsukite antveržlę ant veleno.
 - Laikykite veleną su ašies fiksatoriumi ir fiksuojamosios veržlės veržliarakčiu pagal laikrodžio rodyklę gerai priveržkite šlifavimo priedo fiksuojamąją veržlę.
- Jei norite nuimti diską, laikykitės uždėjimo procedūros atvirkščia tvarka.

Kitiems nei 100 mm (4") modeliams

- **Pav.15:** 1. Šlifavimo priedo fiksuojamoji veržlė
2. Šlifavimo diskas 3. Guminis pagrindas

- Uždėkite ant ašies guminį pagrindą.
 - Uždėkite diską ant guminio pagrindo ir užsukite antveržlę ant veleno.
 - Laikykite veleną su ašies fiksatoriumi ir fiksuojamosios veržlės veržliarakčiu pagal laikrodžio rodyklę gerai priveržkite šlifavimo priedo fiksuojamąją veržlę.
- Jei norite nuimti diską, laikykitės uždėjimo procedūros atvirkščia tvarka.

„Super“ jungė

Pasirenkamas priedas

„Super“ jungė – tai specialus priedas, skirtas modeliams, kuriuose NĖRA stabdymo funkcijos. Modeliuose su raide F būna standartiškai sumontuota papildoma jungė. Fiksavimo veržlei atsukti reikia tik 1/3 jėgos, reikalingos įprastai veržlei atsukti.

„Ezynut“ įdėjimas ir išėmimas

Pasirenkamas priedas

Tik įrankiams su veleno sriegiu M14.

▲ PERSPĖJIMAS: Su „Super“ jungė nenaudokite „Ezynut“. Šios jungės yra itin storos ir ant veleno nebus užsuktas visas sriegis.

Uždėkite vidinę jungę, šlifavimo diską ir veržlę „Ezynut“ ant veleno taip, kad ant „Ezynut“ esantis logotipas „Makita“ būtų nukreiptas į išorę.

- **Pav.16:** 1. „Ezynut“ 2. Šlifavimo diskas 3. Vidinė jungė 4. Velenas

Tvirtai įspauskite ašies fiksatorių ir priveržkite veržlę „Ezynut“, sukdami abrazyvinį diską pagal laikrodžio rodyklę tiek, kiek jis suksis.

- **Pav.17:** 1. Ašies fiksatorius

„Ezynut“ atlaisvinti sukite jos išorinį žiedą prieš laikrodžio rodyklę.

PASTABA: Jeigu tik rodyklė nukreipta įrantos link, veržlę „Ezynut“ galima atsukti rankomis. Kitais atvejais, norint ją atsukti, reikia fiksuojamosios veržlės veržliarakčio. Įkiškite vieną veržliarakčio smaigą į angą ir sukite veržlę „Ezynut“ prieš laikrodžio rodyklę.

- **Pav.18:** 1. Rodyklė 2. Įranta
► **Pav.19**

Šlifuojamojo pjovimo disko / deimantinio disko montavimas

Pasirenkamas priedas

▲ JSPĖJIMAS: Naudodami šlifuojamąjį pjovimo / deimantinį diską, būtinai naudokite tik specialų apsauginį gaubtą, skirtą naudoti su pjovimo diskais.

▲ JSPĖJIMAS: NIEKADA nenaudokite pjovimo disko šonams šlifuoti.

- **Pav.20:** 1. Fiksavimo veržlė 2. Šlifuojamasis pjovimo diskas / deimantinis diskas 3. Vidinė jungė 4. Apsauginis gaubtas šlifuojamajam pjovimo diskui / deimantiniam diskui

Norėdami sumontuoti diską su įgaubtu centru, vykdykite jam skirtas instrukcijas.

Fiksavimo veržlės ir vidinės jungės montavimo kryptis priklauso nuo disko tipo ir storio.

Žr. šiuos paveikslėlius.

Naudojant 100 mm (4") modelį

Montuojant šlifuojamąjį pjovimo diską:

- **Pav.21:** 1. Fiksavimo veržlė 2. Šlifuojamasis nupjovimo diskas (plonesnis nei 4 mm (5/32"))
3. Šlifuojamasis nupjovimo diskas (4 mm (5/32") arba storesnis) 4. Vidinė jungė

Montuojant deimantinį diską:

- **Pav.22:** 1. Fiksavimo veržlė 2. Deimantinis diskas (plonesnis nei 4 mm (5/32")) 3. Deimantinis diskas (4 mm (5/32") arba storesnis)
4. Vidinė jungė

Kitiems nei 100 mm (4") modeliams

Montuojant šlifuojamąjį pjovimo diską:

- **Pav.23:** 1. Fiksavimo veržlė 2. Šlifuojamasis nupjovimo diskas (plonesnis nei 4 mm (5/32"))
3. Šlifuojamasis nupjovimo diskas (4 mm (5/32") arba storesnis) 4. Vidinė jungė

Montuojant deimantinį diską:

- **Pav.24:** 1. Fiksavimo veržlė 2. Deimantinis diskas (plonesnis nei 4 mm (5/32")) 3. Deimantinis diskas (4 mm (5/32") arba storesnis)
4. Vidinė jungė

Vielinio šepetėlio sumontavimas

Pasirenkamas priedas

▲ PERSPĖJIMAS: Nenaudokite apgadinto arba išbalansuoto vielinio šepetėlio. Naudojant apgadintą vielinį šepetėlį, prisilietus prie aplūžusių šepetėlio vielų galima susižeisti.

Apverskite įrankį, kad lengvai pasiektumėte veleną. Nuimkite nuo veleno visus priedus. Užsukite ant veleno vielinį taurelės formos šepetėlį ir priveržkite jį pateiktuoju veržliarakčiu.

- **Pav.25:** 1. Vielinis šepetėlis

Vielinio disko formos šepetėlio sumontavimas

Pasirenkamas priedas

⚠ PERSPĖJIMAS: Nenaudokite apgadinto arba išbalansuoto vielinio, disko formos šepetėlio. Naudojant apgadintą vielinį, disko formos šepetėlį, prisilietus prie aplūžusių šepetėlio vielų, galima susižeisti.

⚠ PERSPĖJIMAS: Naudodami vielinius, disko formos šepetėlius, VISADA naudokite apsauginį gaubtą, kuriame tilptų atitinkamo skersmens diskas. Naudojimo metu diskas gali subyrėti, o apsauginis gaubtas sumažina galimybę susižeisti.

Apverskite įrankį, kad lengvai pasiektumėte veleną. Nuimkite nuo veleno visus priedus. Užsukite vielinį disko formos šepetėlį ant veleno ir priveržkite veržliarakčiais.

► **Pav.26:** 1. Vielinis disko formos šepetėlis

Tuščiavidurio gražto įrengimas

Pasirenkamas priedas

Apverskite įrankį, kad lengvai pasiektumėte veleną. Nuimkite nuo veleno visus priedus. Užsukite tuščiaavidurį gražtą ant veleno ir priveržkite pateiktu veržliarakčiu.

► **Pav.27:** 1. Tuščiaaviduris gražtas

Dulkes renkančio disko apsaugo įrengimas šlifavimui

Tik modeliui GA028G / GA029G / GA031G / GA032G

Pasirenkamas priedas

Naudodami pasirenkamus priedus, galite naudoti šį įrankį betono paviršiu lyginti.

⚠ PERSPĖJIMAS: Dulkes renkančio disko saugiklis subalansuotam deimantiniam diskui skirtas naudoti tik lyginant betoninį paviršių su subalansuotu deimantiniu disku. Nenaudokite šio saugiklio su jokių kitų pjovimo priedu ar bet kuriam kitam tikslui.

⚠ PERSPĖJIMAS: Prieš dirbdami įsitikinkite, kad vakuuminis valymo įrenginys prijungtas prie įrankio ir įjungtas.

Apverskite įrankį ir įrenkite dulkes renkantį diską apsaugą.

Sumontuokite vidinę jungę ant veleno.

Sumontuokite taurelės tipo deimantinį diską ant vidinės jungės ir priveržkite fiksavimo veržlę ant veleno.

► **Pav.28:** 1. Fiksavimo veržlė 2. Taurelės tipo deimantinis diskas 3. Taurelės tipo su įvore deimantinis diskas 4. Vidinė jungė 5. Dulkes renkantis disko saugiklis 6. Guolių dėžė

PASTABA: Informacijos apie tai, kaip pritvirtinti dulkes renkantį disko apsaugą, rasite jo vadove.

Dulkes renkančio disko apsaugo įrengimas nupjovimui

Pasirenkamas priedas

Naudodami pasirenkamuosius priedus, galite šiuo įrankiu pjauti akmenį.

► **Pav.29**

PASTABA: Informacijos apie tai, kaip pritvirtinti dulkes renkantį disko apsaugą, rasite jo vadove.

Dulkių siurblio prijungimas

Pasirenkamas priedas

⚠ JSPĖJIMAS: Niekada nesiurbkite metalo dalelių, susidariusių šlifuojant / pjaunant / šlifuojant šlifavimo popieriumi. Atliekant tokį darbą susidariusios metalo dalelės yra tiek įkaitusios, kad gali uždegti dulkes ir vakuuminio valymo įrenginyje esančių filtrą.

Norėdami išvengti dulketos aplinkos, kuri susidaro pjaunant mūrą, naudokite dulkes renkančio disko saugiklį ir vakuuminį valymo įrenginį.

Informacijos, kaip surinkti ir naudoti dulkes renkančio disko saugiklį, ieškokite prie jo pridėtoje naudojimo instrukcijoje.

► **Pav.30:** 1. Dulkes renkantis disko saugiklis
2. Vakuuminio valymo įrenginio žarna

NAUDOJIMAS

⚠ JSPĖJIMAS: Dirbant įrankiu niekada nereikėtų naudoti jėgos. Įrankio svoris sukelia pakankamą spaudimą. Jėgos naudojimas ir per didelis spaudimas kelia disko lūžimo pavojų.

⚠ JSPĖJIMAS: VISUOMET pakeiskite diską, jei įrankis iškrito šlifavimo metu.

⚠ JSPĖJIMAS: NIEKADA nedaužykite disko į ruošinį.

⚠ JSPĖJIMAS: Venkite disko atšokimų ir užkliuvimų, ypač kai apdorojate kampus, aštrius kraštus ir pan. Dėl to galima nesuvaldyti įrankio ir jis gali atšokti.

⚠ JSPĖJIMAS: NIEKADA nenaudokite įrankio su medžio pjovimo ašmenimis ir kitomis pjūklo geležtėmis. Tokius ašmenis naudojant su šlifuotuvu dažnai įvyksta atatranka, dėl kurios įrankis tampa nevaldomas ir gali sužeisti žmogų.

▲PERSPĖJIMAS: NIEKADA nejunkite įrankio, kai jis liečiasi su ruošiniu, kadangi galite susižeisti.

▲PERSPĖJIMAS: Dirbdami visuomet dėvėkite apsauginius akinius arba veido skydelį.

▲PERSPĖJIMAS: Panaudoję įrankį visuomet jį išjunkite ir prieš padėdami įrankį palaukite, kol diskas visiškai sustos.

▲PERSPĖJIMAS: VISUOMET laikykite įrankį tvirtai, vieną ranką uždėję ant korpuso, o kitą – ant šoninės rankenos.

PASTABA: Šlifavimo ir nupjovimo operacijoms atlikti galima naudoti dvejopos paskirties diską.

Žr. „Šlifavimas ir šlifavimas švitrinu popieriumi“, kur aprašomas šlifavimas, ir Žr. „Šlifuojamojo pjovimo disko / deimantinio disko naudojimas“, kur aprašomas nupjovimas.

Šlifavimas ir šlifavimas švitrinu popieriumi

► Pav.31

Įjunkite įrankį ir tada disku apdirbkite ruošinį. Laikykite disko kraštą pakreiptą apie 15° laipsnių kampą į ruošinio paviršių.

Naujo disko apšilimo laikotarpiu nedirbkite šlifuoekliu pakreipimo į priekį kryptimi, kadangi jis gali įpjauti ruošinį. Kai disko kraštas naudojant suapvalėja, disku galima dirbti kryptimis į priekį ir atgal.

Naudojimo pavyzdys: darbas taurelės tipo deimantiniu disku

► Pav.32

Laikydami įrankį horizontaliai, apdorokite ruošinį visu taurelės tipo deimantiniu disku.

Šlifuojamojo pjovimo disko / deimantinio disko naudojimas

Pasirenkamas priedas

▲JSPĖJIMAS: Nespauskite disko ir nenaudokite pernelyg didelio slėgio. Nemėginkite atlikti pernelyg gilių pjūvių. Pernelyg spaudžiant diską, padidėja apkrova ir tikimybė, kad diskas persikreips arba įstrigs pjūvyje; taip pat atsiranda atatrankos, disko lūžimo ir variklio perkaitimo galimybė.

▲JSPĖJIMAS: Nepradėkite pjauti atrėmę diską į ruošinį. Palaukite, kol diskas ims sukintis visu greičiu, ir atsargiai nuleiskite jį į pjūvį, stumdami įrankį pirmyn ruošinio paviršiumi. Jeigu elektrinį įrankį paleisite ruošinyje, diskas gali įstrigti, pasislinkti arba atšokti.

▲JSPĖJIMAS: Pjaudami niekada nekeiskite disko kampo. Spaudžiant pjovimo diską iš šono (pvz., šlifuojant), diskas gali įtrūkti ar sulūžti, sukeldamas pavojų susižeisti.

▲JSPĖJIMAS: Deimantinį diską reikia naudoti tik nukreipus jį statmenai pjaunamai medžiagai.

Naudojimo pavyzdys: darbas šlifuojamuoju nupjovimo disku

► Pav.33

Naudojimo pavyzdys: darbas deimantiniu disku

► Pav.34

Vielinio, taurelės formos šepetėlio naudojimas

Pasirenkamas priedas

▲PERSPĖJIMAS: Patikrinkite, kaip veikia vielinis šepetėlis, paleidę įrankį veikti be apkrovų ir įsitikinę, kad niekas nestovi priešais arba vienoje linijoje su vieliniu šepetėliu.

PASTABA: Nespauskite pernelyg stipriai, kadangi naudojant vielinį šepetėlį gali sulinkti šereliai. Šepetėlis gali sulūžti pirma laiko.

Naudojimo pavyzdys: vielinio šepetėlio naudojimas

► Pav.35

Vielinio, disko formos šepetėlio naudojimas

Pasirenkamas priedas

▲PERSPĖJIMAS: Patikrinkite, kaip veikia vielinis, disko formos šepetėlis, paleidę įrankį veikti be apkrovų ir įsitikinę, kad niekas nestovi priešais arba vienoje linijoje su vieliniu, disko formos šepetėliu.

PASTABA: Nespauskite pernelyg stipriai, kadangi naudojant vielinį disko formos šepetėlį gali sulinkti šereliai. Šepetėlis gali sulūžti pirma laiko.

Naudojimo pavyzdys: darbas vieliniu disko formos šepetėliu

► Pav.36

Tuščiavidurio grąžto naudojimas

Pasirenkamas priedas

▲PERSPĖJIMAS: Patikrinkite, kaip veikia tuščiaaviduris grąžtas, paleidę įrankį veikti be apkrovos, ir užtikrinkite, kad niekas nestovėtų priešais tuščiaavidurį grąžtą.

PASTABA: Darbo metu nepakreipkite įrankio. Kitaip jis gali sulūžti pirma laiko.

Naudojimo pavyzdys: tuščiaavidurio grąžto naudojimas

► Pav.37

BELAIÐŽIO AKTYVINIMO FUNKCIJA

Ką galima padaryti su belaidžio aktyvinimo funkcija?

Belaidžio aktyvinimo funkcija leidžia dirbti švariai ir patogiai. Pridėtą vakuuminį valymo įrenginį prijungę prie įrankio, galite automatiškai jį paleisti įjungdami įrankį.

► Pav.38

Norėdami naudoti belaidžio aktyvinimo funkciją, pasi-ruoškite šiuos daiktus:

- belaidį bloką (papildomas priedas);
- vakuuminį valymo įrenginį, kuris palaiko belaidžio aktyvinimo funkciją.

Toliau pateikiama belaidžio aktyvinimo funkcijos nustatymo apžvalga. Kiekvienoje dalyje rasite detalias procedūras.

1. Belaidžio bloko įdėjimas
2. Įrankio nustatymas vakuuiniame valymo įrenginyje
3. Belaidžio aktyvinimo funkcijos paleidimas

Belaidžio bloko įdėjimas

Pasirenkamas priedas

▲ PERSPĖJIMAS: Įdėdami belaidį bloką, padėkite įrankį ant stabiliaus plokščio paviršiaus.

PASTABA: Prieš įdėdami belaidį bloką, nuo įrankio nuvalykite dulkes ir purvą. Patekusios į belaidžio bloko angą, dulkės arba purvas gali sukelti gedimą.

PASTABA: Norėdami išvengti gedimo, kurį gali sukelti statinis elektros krūvis, prieš paimdami belaidį bloką palieskite medžiagą, per kurią išeina statinis elektros krūvis, pavyzdžiui, metalinę įrankio dalį.

PASTABA: Įdėdami belaidį bloką, visada įsitinkite, kad dedate reikiama kryptimi ir kad dangtelis iki galo uždarytas.

1. Atidarykite įrankio dangtelį, kaip parodyta paveikslėlyje.

► Pav.39: 1. Dangtelis

2. Įdėkite belaidį bloką į angą ir uždarykite dangtelį. Įdėdami belaidį bloką, iškyšas sulygiuokite su angos išėmomis.

► Pav.40: 1. Belaidis blokas 2. Iškyša 3. Dangtelis 4. Išėma

Norėdami išimti belaidį bloką, lėtai atidarykite dangtelį. Traukiant dangtelį, jo galinėje pusėje esantys kabliukai iškels belaidį bloką.

► Pav.41: 1. Belaidis blokas 2. Kabliukas 3. Dangtelis

Išėmę belaidį bloką laikykite pridėtamę dėkle arba nuo statinio krūvio apsaugotoje taroje.

PASTABA: Išimdami belaidį bloką visada naudokitės galinėje dangtelio pusėje esančiais kabliukais. Jei kabliukai nepagauna belaidžio bloko, iki galo uždarykite dangtelį ir vėl lėtai jį atidarykite.

Įrankio nustatymas vakuuiniame valymo įrenginyje

PASTABA: Įrankiui nustatyti reikalingas „Makita“ vakuuminis valymo įrenginys, palaikantis belaidžio aktyvinimo funkciją.

PASTABA: Prieš pradėdami nustatyti įrankį, įdėkite jį į belaidį bloką.

PASTABA: Nustatydami įrankį, netraukite gaiduko ir neįjunkite vakuuminio valymo įrenginio maitinimo.

PASTABA: Taip pat žr. vakuuminio valymo įrenginio naudojimo instrukciją.

Jei norite aktyvinti vakuuminį valymo įrenginį įrankio jungikliu, prieš tai nustatykite įrankį.

1. Įdėkite akumuliatorių į vakuuminį valymo įrenginį ir įrankį.

2. Vakuuminio valymo įrenginio parengties jungiklį nustatykite ties „AUTO“.

► Pav.42: 1. Parengties jungiklis

3. 3 sekundes spauskite belaidžio aktyvinimo mygtuką ant vakuuminio valymo įrenginio, kol belaidžio aktyvinimo lemputė ims mirksėti žaliai. Tada tokiu pat būdu paspauskite belaidžio aktyvinimo mygtuką ant įrankio.

► Pav.43: 1. Belaidžio aktyvinimo mygtukas 2. Belaidžio aktyvinimo lemputė

Jei vakuuminis valymo įrenginys ir įrankis sėkmingai susieti, belaidžio aktyvinimo lemputės 2 sekundes švies žaliai ir ims mirksėti mėlynai.

PASTABA: Belaidžio aktyvinimo lemputės nustoja mirksėti žaliai po 20 sekundžių. Kai mirksi valymo įrenginio belaidžio aktyvinimo lemputė, paspauskite belaidžio aktyvinimo mygtuką ant įrankio. Jei belaidžio aktyvinimo lemputė nemirksi žaliai, trumpai paspauskite belaidžio aktyvinimo mygtuką ir vėl palaikykite jį nuspaudę.

PASTABA: Jei norite nustatyti du ar daugiau įrankių viename vakuuiniame valymo įrenginyje, nustatykite juos po vieną.

Belaidžio aktyvinimo funkcijos paleidimas

PASTABA: Prieš belaidį aktyvinimą nustatykite įrankį vakuuiniame valymo įrenginyje.

PASTABA: Taip pat žr. vakuuminio valymo įrenginio naudojimo instrukciją.

Nustačius įrankį vakuuiniame valymo įrenginyje, jis automatiškai įsijungs įjungus įrankį.

1. Įdėkite belaidį bloką į įrankį.

2. Sujunkite vakuuminio valymo įrenginio žarną su įrankiu.

► Pav.44

3. Vakuuminio valymo įrenginio parengties jungiklį nustatykite ties „AUTO“.

► **Pav.45:** 1. Parengties jungiklis

4. Trumpai paspauskite belaidžio aktyvinimo mygtuką ant įrankio. Belaidžio aktyvinimo lemputė mirksės mėlynai.

► **Pav.46:** 1. Belaidžio aktyvinimo mygtukas
2. Belaidžio aktyvinimo lemputė

5. Įjunkite įrankį. Patikrinkite, ar su įrankiu kartu veikia ir vakuuminis valymo įrenginys.

Norėdami sustabdyti belaidį vakuuminio valymo įrenginio aktyvinimą, paspauskite belaidžio aktyvinimo mygtuką ant įrankio.

PASTABA: Nenaudojant 2 valandas, belaidžio aktyvinimo lemputė ant įrankio nustos mirksėti mėlynai. Šiuo atveju parengties jungiklį ant vakuuminio valymo įrenginio nustatykite ties „AUTO“ ir vėl paspauskite belaidžio aktyvinimo mygtuką ant įrankio.

PASTABA: Vakuuminis valymo įrenginys ima veikti ir sustoja šiek tiek uždelsęs. Praeina šiek tiek laiko, kol vakuuminis valymo įrenginys nustato, kad buvo panaudotas įrankio jungiklis.



PASTABA: Belaidžio bloko perdavimo atstumas gali skirtis priklausomai nuo vietos ir aplinkybių.

PASTABA: Kai viename vakuuiniame valymo įrenginyje užregistruoti du ar daugiau įrankių, vakuuminis valymo įrenginys gali imti veikti net ir neįjungus įrankio, nes kitas naudotojas naudoja belaidžio aktyvavimo funkciją.

Belaidžio aktyvinimo lemputės būsenos aprašymas

► **Pav.47:** 1. Belaidžio aktyvinimo lemputė

Belaidžio aktyvinimo lemputė rodo belaidžio aktyvinimo funkcijos būseną. Lemputės būsenos reikšmės pateiktos tolesnėje lentelėje.

Būsena	Belaidžio aktyvinimo lemputė				Aprašymas
	Spalva	 Šviečia	 Mirksi	Trukmė	
Parengtis	Mėlyna	<input checked="" type="checkbox"/>		2 valandos	Galimas belaidis vakuuminio valymo įrenginio aktyvinimas. Nenaudojant 2 valandas lemputė automatiškai užges.
		<input type="checkbox"/>		Kai įrankis yra naudojamas.	Galimas belaidis vakuuminio valymo įrenginio aktyvinimas ir įrankis yra naudojamas.
Įrankio nustatymas	Žalia	<input checked="" type="checkbox"/>		20 sekundžių	Pasirengęs nustatyti įrankį. Laukiama, kol įrankis bus nustatytas vakuuiniame valymo įrenginyje.
		<input type="checkbox"/>		2 sekundės	Įrankis nustatytas. Belaidžio aktyvinimo lemputė ims mirksėti mėlynai.
Įrankio nustatymo atšaukimas	Raudona	<input checked="" type="checkbox"/>		20 sekundžių	Pasiruošęs atšaukti įrankio nustatymą. Laukiama, kol įrankio nustatymas bus atšauktas vakuuiniame valymo įrenginyje.
		<input type="checkbox"/>		2 sekundės	Įrankio nustatymas atšauktas. Belaidžio aktyvinimo lemputė ims mirksėti mėlynai.
Kita	Raudona	<input type="checkbox"/>		3 sekundės	Belaidis blokas yra maitinamas ir ima veikti belaidžio aktyvinimo funkcija.
	Nešviečia	-		-	Belaidis vakuuminio valymo įrenginio aktyvinimas sustabdytas.

Įrankio nustatymo vakuuiniame valymo įrenginyje atšaukimas

Norėdami atšaukti įrankio nustatymą vakuuiniame valymo įrenginyje, atlikite šią procedūrą.

1. Įdėkite akumulatorius į vakuuminį valymo įrenginį ir įrankį.

2. Vakuuminio valymo įrenginio parengties jungiklį nustatykite ties „AUTO“.

► **Pav.48:** 1. Parengties jungiklis

3. 6 sekundes spauskite belaidžio aktyvinimo mygtuką ant vakuuminio valymo įrenginio. Belaidžio aktyvinimo lemputė mirksi žaliai ir tampa raudona. Paskui

toku pat būdu paspauskite belaidžio aktyvinimo mygtuką ant įrankio.

► **Pav.49:** 1. Belaidžio aktyvinimo mygtukas
2. Belaidžio aktyvinimo lemputė

Jei atšaukti pavyko, belaidžio aktyvinimo lemputės 2 sekundes švies raudonai ir ims mirksėti mėlynai.

PASTABA: Belaidžio aktyvinimo lemputės nustoja mirksėti raudonai po 20 sekundžių. Kai mirksi valymo įrenginio belaidžio aktyvinimo lemputė, paspauskite belaidžio aktyvinimo mygtuką ant įrankio. Jei belaidžio aktyvinimo lemputė nemirksi raudonai, trumpai paspauskite belaidžio aktyvinimo mygtuką ir vėl palaikykite jį nuspaudę.

Belaidžio aktyvinimo funkcijos trikčių šalinimas

Prieš kreipdamiesi dėl remonto darbų, pirmiausia patikrinkite gedimus patys. Kilus problemų, apie kurias nepaaiškinta vartotojo vadove, nemėginkite ardyti įrankio. Kreipkitės į įgaliotuosius „Makita“ techninės priežiūros centrus, kuriuose remontui visuomet naudojamos originalios „Makita“ keičiamosios dalys.

Neįprasta būklė	Tikėtina priežastis (triktis)	Ištaisomoji priemonė
Belaidžio aktyvinimo lemputė nešviečia arba nemirksi.	Belaidis blokas neįdėtas į įrankį. Belaidis blokas netinkamai įdėtas į įrankį.	Taisyklingai įdėkite belaidį bloką.
	Belaidžio bloko kontaktas ir (arba) anga yra purvini.	Švelniai nuvalykite dulkes ir purvą nuo belaidžio bloko kontakto ir išvalykite angą.
	Belaidžio aktyvinimo mygtukas ant įrankio nebuvo paspaustas.	Trumpai paspauskite belaidžio aktyvinimo mygtuką ant įrankio.
	Vakuuminio valymo įrenginio parengties jungiklis nenustatytas ties „AUTO“.	Vakuuminio valymo įrenginio parengties jungiklį nustatykite ties „AUTO“.
	Nėra maitinimo	Prijunkite įrankio ir vakuuminio valymo įrenginio maitinimą.
Nepavyksta nustatyti įrankio / atšaukti jo nustatymo.	Belaidis blokas neįdėtas į įrankį. Belaidis blokas netinkamai įdėtas į įrankį.	Taisyklingai įdėkite belaidį bloką.
	Belaidžio bloko kontaktas ir (arba) anga yra purvini.	Švelniai nuvalykite dulkes ir purvą nuo belaidžio bloko kontakto ir išvalykite angą.
	Vakuuminio valymo įrenginio parengties jungiklis nenustatytas ties „AUTO“.	Vakuuminio valymo įrenginio parengties jungiklį nustatykite ties „AUTO“.
	Nėra maitinimo	Prijunkite įrankio ir vakuuminio valymo įrenginio maitinimą.
	Netinkamai atlikta procedūra	Trumpai paspauskite belaidžio aktyvinimo mygtuką ir iš naujo atlikite įrankio nustatymo / atšaukimo procedūras.
	Įrankis ir vakuuminis valymo įrenginys yra toli vienas nuo kito (už perdavimo diapazono ribų).	Padėkite įrankį ir vakuuminį valymo įrenginį arčiau vienas kito. Didžiausias perdavimo atstumas yra maždaug 10 m, bet jis gali skirtis pagal aplinkybes.
	Prieš baigiant įrankio registravimą / atšaukimą: - įjungiamas įrankio jungiklis arba - paspaudžiamas vakuuminio valymo įrenginio maitinimo mygtukas.	Trumpai paspauskite belaidžio aktyvinimo mygtuką ir iš naujo atlikite įrankio nustatymo / atšaukimo procedūras.
	Neatliktos įrankio nustatymo procedūros įrankyje arba vakuuminiame valymo įrenginyje.	Tuo pačiu metu atlikite įrankio nustatymo procedūras įrankyje ir vakuuminiame valymo įrenginyje.
	Kitų prietaisų, generuojančių didelio intensyvumo radijo bangas, keliami radijo bangų trikdžiai.	Patraukite įrankį ir vakuuminį valymo įrenginį toliau nuo tokių prietaisų kaip belaidžio ryšio įrenginiai ir mikrobangų krosnelės.
	Vakuuminis valymo įrenginys neveikia įjungus įrankio jungiklį.	Belaidis blokas neįdėtas į įrankį. Belaidis blokas netinkamai įdėtas į įrankį.
Belaidžio bloko kontaktas ir (arba) anga yra purvini.		Švelniai nuvalykite dulkes ir purvą nuo belaidžio bloko kontakto ir išvalykite angą.
Belaidžio aktyvinimo mygtukas ant įrankio nebuvo paspaustas.		Trumpai paspauskite belaidžio aktyvinimo mygtuką ir patikrinkite, ar belaidžio aktyvinimo lemputė mirksi mėlynai.
Vakuuminio valymo įrenginio parengties jungiklis nenustatytas ties „AUTO“.		Vakuuminio valymo įrenginio parengties jungiklį nustatykite ties „AUTO“.
Vakuuminiame valymo įrenginyje yra nustatyta daugiau kaip 10 įrankių.		Iš naujo nustatykite įrankį. Jei vakuuminiame valymo įrenginyje nustatyta daugiau kaip 10 įrankių, anksčiausiai nustatytas įrankis bus automatiškai atšauktas.
Vakuuminis valymo įrenginys ištrinė visus įrankių nustatymus.		Iš naujo nustatykite įrankį.
Nėra maitinimo		Prijunkite įrankio ir vakuuminio valymo įrenginio maitinimą.
Įrankis ir vakuuminis valymo įrenginys yra toli vienas nuo kito (už perdavimo diapazono ribų).		Padėkite įrankį ir vakuuminį valymo įrenginį arčiau vienas kito. Didžiausias perdavimo atstumas yra maždaug 10 m, bet jis gali skirtis pagal aplinkybes.
Kitų prietaisų, generuojančių didelio intensyvumo radijo bangas, keliami radijo bangų trikdžiai.		Patraukite įrankį ir vakuuminį valymo įrenginį toliau nuo tokių prietaisų kaip belaidžio ryšio įrenginiai ir mikrobangų krosnelės.
Vakuuminis valymo įrenginys veikia įrankiui neveikiant.	Kiti naudotojai naudoja belaidį vakuuminio valymo įrenginio aktyvinimą su savo įrankiais.	Išjunkite kitų įrankių belaidžio aktyvinimo mygtuką arba atšaukite kitų įrankių nustatymą.

TECHNINĖ PRIEŽIŪRA

▲PERSPĖJIMAS: Visuomet įsitikinkite, ar įrankis yra išjungtas ir akumuliatoriaus kasetė yra nuimta prieš atlikdami apžiūrą ir priežiūrą.

PASTABA: Niekada nenaudokite gazolino, benzino, tirpiklio, spirito arba panašių medžiagų. Gali atsirasti išblukimų, deformacijų arba įtrūkimų.

Kad gaminyt būtų SAUGUS ir PATIKIMAS, jį taisyti, apžiūrėti ar vykdyti bet kokią kitą priežiūrą ar derinimą turi įgaliotasis kompanijos „Makita“ techninės priežiūros centras; reikia naudoti tik kompanijos „Makita“ pagamintas atsargines dalis.

Oro ventilacijos angų valymas

Priežiūrėkite, kad įrankis ir jo oro angos būtų švarios. Reguliariai išvalykite įrankio oro angas arba tada, kai jos užsikemša.

► **Pav.50:** 1. Oro išleidimo anga 2. Oro įleidimo anga

Nuimkite gaubtelį nuo dulkių nuo oro įėjimo angos ir nuvalykite jį, kad oras galėtų laisvai cirkuluoti.

► **Pav.51:** 1. Gaubtelis nuo dulkių

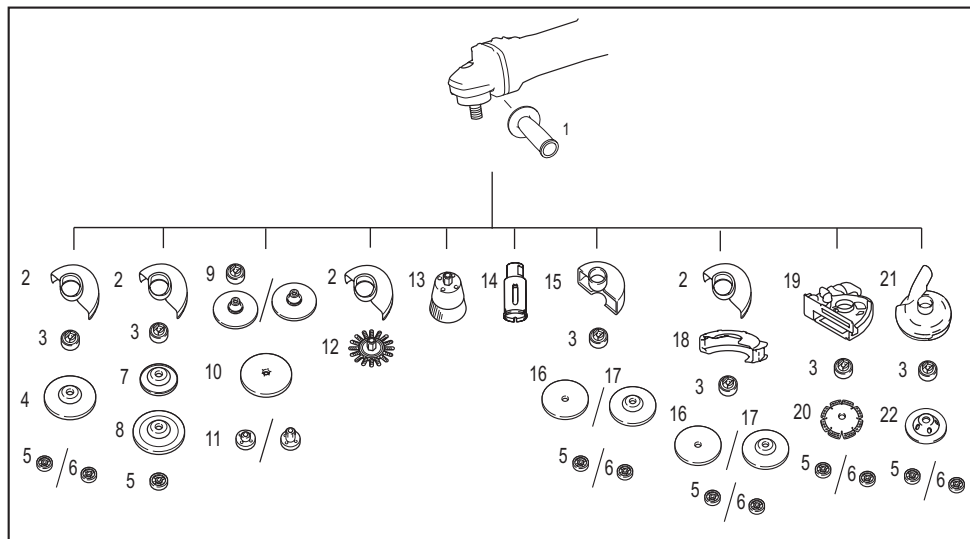
PASTABA: Nuvalykite gaubtelį nuo dulkių, kai jis užsikemša dėl dulkių arba pašalinių medžiagų. Toliau naudojant įrankį, kai gaubtelis nuo dulkių užsikimšęs, įrankis gali sugesti.

NAUDOJIMO SRIČIŲ IR PRIEDŲ DERINYS

Pasirenkamas priedas

▲PERSPĖJIMAS: Naudojant įrankį su netinkamais apsaugais, gali kilti toliau nurodytų pavojų.

- Naudojant nupjovimo disko apsaugą paviršinio šlifavimo darbams vykdyti, disko apsaugas gali liestis su ruošiniu ir prastinti kontrolę.
- Naudojant šlifavimo disko apsaugą nupjovimo klijuotais šlifuojamaisiais diskais ir deimantiniais diskais darbams vykdyti, didėja besisukančių diskų poveikio, kibirkščių ir dalelių rizika, pvz., diskui lūžus ir išskriejus jo fragmentų.
- Naudojant nupjovimo disko apsaugą arba šlifavimo disko apsaugą paviršiaus apdorojimo taurelės tipo deimantiniais diskais darbams vykdyti, disko apsaugas gali liestis su ruošiniu ir prastinti kontrolę.
- Naudojant nupjovimo disko apsaugą arba šlifavimo disko apsaugą su disko tipo vieliniu šepetėliu, kurio storis didesnis nei didžiausias storis, nurodytas skirsnyje SPECIFIKACIJOS, vielutės gali užsikabinti už apsaugo ir nutrūkti.
- Naudojant dulkes renkantį disko apsaugą betono arba mūro nupjovimo ir paviršiaus apdorojimo operacijoms vykdyti, mažėja dulkių poveikis.
- Naudojant dvejopos paskirties (šlifavimo ir šlifuojamojo nupjovimo) ant jungės montuojamus diskus, galima naudoti tik nupjovimo disko apsaugą.



-	Naudojimo režimas	100 mm modelis	115 mm modelis	125 mm modelis
1	-	Šoninė rankena		
2	-	Disko apsauga (šlifavimo diskui)		
3	-	Vidinė jungė	Vidinė jungė / „Super“ jungė *1*2	
4	Šlifavimas / šlifavimas švitrinu popieriumi	Diskas su įgaubtu centru / poliravimo diskas		
5	-	Fiksavimo veržlė		
6	-	-	„Eznut“ *1*3	
7	-	Atraminis pagrindas		
8	Šlifavimas	Lankstusis diskas		
9	-	Vidinė jungė ir guminis tarpiklis 76	Guminis padas 100	Guminis padas 115
10	Šlifavimas švitrinu popieriumi	Šlifavimo diskas		
11	-	Šlifavimo priedo fiksuojamoji veržlė		
12	Apdorojimas vielinių šepetėlių	Vielinis disko formos šepetėlis		
13	Apdorojimas vielinių šepetėlių	Vielinis šepetėlis		
14	Grežimas	Tuščiaaviduris gražtas		
15	-	Disko apsaugas (nupjovimo diskui)		
16	Nupjovimas	Šlifuojamasis pjovimo diskas / deimantinis diskas		
17	Šlifavimas / nupjovimas	Dvejetainis paskirties diskas		
18	-	Užspaudžiamasis pjovimo disko apsaugo priedas *4		
19	-	Dulkes renkančio disko apsaugas nupjovimui *5		
20	Nupjovimas	Deimantinis diskas		
21	-	-	Dulkes renkantis disko apsaugas šlifavimui *6	
22	Šlifavimas	-	Taurelės tipo deimantinis diskas *6	
-	-	Fiksavimo galvutės raktas		

PASTABA: *1 Nenaudokite „Super“ jungės kartu su „Eznut“.

PASTABA: *2 Nenaudokite „Super“ jungės su šliuokliu, kuriame įdiegta stabdymo funkcija.

PASTABA: *3 Tik įrankiams su M14 suklio sriegiu.

PASTABA: *4 Kai kuriose valstybėse pjovimo disko apsaugo priedas nesiūlomas. Išsamiau skaitykite užspaudžiamojo pjovimo disko apsaugo priedo naudojimo instrukcijoje.

PASTABA: *5 Išsamiau skaitykite kiekvieno apsaugo naudojimo instrukcijoje.

PASTABA: *6 Tik modeliui GA028G / GA029G / GA031G / GA032G

Išsamiau skaitykite kiekvieno apsaugo naudojimo instrukcijoje.

PASIRENKAMI PRIEDAI

⚠ PERSPĖJIMAS: Šiuos papildomus priedus arba įtaisus rekomenduojama naudoti su šioje instrukcijoje nurodytu „Makita“ bendrovės įrankiu. Naudojant bet kokius kitus papildomus priedus arba įtaisus, gali kilti pavojus sužeisti žmones. Naudokite tik nurodytam tikslui skirtus papildomus priedus arba įtaisus.

Jeigu norite daugiau sužinoti apie tuos priedus, kreipkitės į artimiausią „Makita“ techninės priežiūros centrą.

- Originalus „Makita“ akumulatorius ir įkroviklis
- Priedai, pateikti sk. NAUDOJIMO SRIČIŲ IR PRIEDŲ DERINYS
- Belaidis įrenginys (modeliams su belaidžiu

aktyvinimo funkcija)

PASTABA: Kai kurie sąraše esantys priedai gali būti pateikti įrankio pakuotėje kaip standartiniai priedai. Jie įvairiose šalyse gali skirtis.

TEHNILISED ANDMED

Mudel:		GA027G	GA028G	GA029G	GA030G	GA031G	GA032G
Sobiv lihvketas	Max ketta läbimõõt	100 mm	115 mm	125 mm	100 mm	115 mm	125 mm
	Max ketta paksus	6,4 mm	7,2 mm	6,4 mm	7,2 mm		
Sobiv lõikeketas	Max ketta läbimõõt	105 mm	115 mm	125 mm	105 mm	115 mm	125 mm
	Max ketta paksus	3,2 mm					
Sobiv ketastraathari	Max ketta läbimõõt	100 mm	115 mm	125 mm	100 mm	115 mm	125 mm
	Max ketta paksus	20 mm					
Võlli keere		M10	M14 või 5/8" (riigiti erinev)	M10	M14 või 5/8" (riigispetsiifiline)		
Max võllipikkus		18 mm	23 mm	18 mm	23 mm		
Koormuseta kiirus (n ₀) / Nimpöörlemiskiirus (n)		9 000 min ⁻¹					
Üldpikkus	BL4025-ga	413 mm					
	BL4040-ga	425 mm					
Netokaal		2,8 – 5,2 kg	3,0 – 5,4 kg	2,8 – 5,2 kg	2,9 – 5,3 kg		
Nimipinge		Alalisvool 36 V – 40 V max					

- Meie pideva uuringu- ja arendusprogrammi tõttu võidakse tehnilisi andmeid muuta ilma sellest ette teatamata.
- Tehnilised andmed võivad riigiti erineda.
- Kaal võib erineda olenevalt lisaseadis(t)est, kaasa arvatud akukassetist. Kergeim ja raskeim kombinatsioon on toodud tabelis.

Sobiv akukasset ja laadija

Akukasset	BL4020 / BL4025* / BL4040* / BL4040F* / BL4050F* / BL4080F *: Soovituslik aku
Laadija	DC40RA / DC40RB / DC40RC / DC40WA / BCC01 / BCC02

- Mõned eespool loetletud akukassetid ja -laadijad ei pruugi olla teie riigis saadaval.

⚠ HOIATUS: Kasutage ainult ülalpool loetletud akukasseid ja laadureid. Muude akukassetide ja laadurite kasutamine võib tekitada vigastusi ja/või tulekahju.

Soovitatud juhtmega ühendatav toiteallikas

Portatiivne akukomplekt	PDC01 / PDC1200 / PDC1500
-------------------------	---------------------------

- Eespool loetletud juhtmega ühendatavad toiteallikad ei pruugi olla teie riigis saadaval.
- Enne juhtmega ühendatava toiteallika kasutamist lugege neil olevaid juhiseid ja ettevaatusabinõusid.

Sümbolid



Ärge kasutage kettakaitset löikamiseks.

Alljärgnevalt kirjeldatakse tingimärke, mida võidakse seadmetel kasutada. Enne seadme kasutamist tehke endale selgeks nende tähendus.



Lugege juhendit.



Kandke silmakaitseid.



Kasutage töötamisel alati kaht kätt.



Ainult EL-i riikide puhul
Seadmes sisalduvate ohtlike osade tõttu võivad elektri- ja elektroonikaseadmete jäätmel, akud ja patareid avaldada negatiivset mõju keskkonnale ja inimeste tervisele.
Elektri- ja elektroonikaseadmeid ega akusid ei tohi kõrvaldada koos olmejäätmetega!
Euroopa elektri- ja elektroonikaseadmete jäätmel, akude ja patareide ning nende jäätmel direktiivi ja riiklikku õigusesse ülevõtmise kohaselt tuleb elektri- ja elektroonikaseadmete, akude ja patareide jäätmel koguda eraldi ning viia eraldiseisvasse olmejäätmete kogumispunkti, mis tegeleb kooskõlas keskkonnakaitse eeskirjadega. Sellele osutab seadmele paigaldatud läbikriipsutatud ratasestega prügikasti sümbol.

Kavandatud kasutus

Tööriist on ette nähtud metallide ja kivimaterjali veeta käimiseks, lihvimiseks, traatharjamiseks, avade lõikamiseks ja lõikamiseks.

Müra

Tüüpiline A-korrigeeritud müratase, määratud standardi EN62841-2-3 kohaselt:

Mudel	Helirõhutase (L_{pA}): (dB(A))	Helivõimsuse tase (L_{WA}): (dB(A))	Määramatus (K): (dB(A))
GA027G	84	92	3
GA028G	84	92	3
GA029G	85	93	3
GA030G	84	92	3
GA031G	84	92	3
GA032G	85	93	3

MÄRKUS: Deklareeritud müra väärtust (väärtuseid) on mõõdetud kooskõlas standardse katsemeetodiga ning seda võib kasutada ühe seadme võrdlemiseks teisega.

MÄRKUS: Deklareeritud müra väärtust (väärtuseid) võib kasutada ka mürataseme esmaseks hindamiseks.

⚠️HOIATUS: Kasutage kõrvakaitsmeid.

⚠️HOIATUS: Müratase võib elektritööriista tegelikus kasutamise ajal erineda deklareeritud väärtust(t) est olenevalt tööriista kasutusviisidest ja eriti töödeldavast toorikust.

⚠️HOIATUS: Rakendage operaatori kaitsmiseks kindlasti piisavaid ohutusabinõusid, mis põhinevad hinnangulisel müratasemel tegelikus tööolukorras (võttes arvesse tööperioodi kõiki osasid, näiteks korrad, kui seade lülitatakse välja ja seade töötab tühikäigul, lisaks tööajale).

⚠️HOIATUS: Õhukese pleki või muude suurepinnaliste kergesti vibreerivate struktuuride lihvimine võib tekitada palju kõrgemat mürataset (kuni 15 dB) kui deklareeritud müraemissiooni väärtused.

Pange nendele töödeldavatele detailidele rasked painduvad summutusmatid või muu sarnane vahend müraemissiooni vähendamiseks.

Võtke suuremat mürataset arvesse nii müraga kokkupuute riski hindamisel kui ka sobiva kuulmiskaitsevahendi valimisel.

Vibratsioon

Vibratsiooni koguväärtus (kolmeteljeliste vektorite summa) määratud standardi EN62841-2-3 kohaselt:

Töörežiim: pinna lihvimine tavalise külgakäepideme kasutamisega

Mudel	Vibratsioonitase ($a_{h, AG}$): (m/s^2)	Määramatus (K): (m/s^2)
GA027G	4,5	1,5
GA028G	5,0	1,5
GA029G	6,0	1,5
GA030G	4,5	1,5
GA031G	5,0	1,5
GA032G	6,0	1,5

Töörežiim: pinna lihvimine vibratsioonikindla külgakäepideme kasutamisega

Mudel	Vibratsioonitase ($a_{h, AG}$): (m/s^2)	Määramatus (K): (m/s^2)
GA027G	4,5	1,5
GA028G	5,0	1,5
GA029G	6,5	1,5
GA030G	4,5	1,5
GA031G	5,0	1,5
GA032G	6,5	1,5

Töörežiim: ketaslihvimine tavalise külgakäepideme kasutamisega

Mudel	Vibratsiooniemissioon ($a_{h, DS}$): (m/s^2)	Määramatus (K): (m/s^2)
GA027G	2,5 m/s^2 või vähem	1,5
GA028G	2,5	1,5
GA029G	3,0	1,5
GA030G	2,5 m/s^2 või vähem	1,5
GA031G	2,5	1,5
GA032G	3,0	1,5

Töörežiim: ketaslihvimine vibratsioonikindla külgakäepideme kasutamisega

Mudel	Vibratsiooniemissioon ($a_{h, DS}$): (m/s^2)	Määramatus (K): (m/s^2)
GA027G	2,5 m/s^2 või vähem	1,5
GA028G	2,5	1,5
GA029G	3,0	1,5
GA030G	2,5 m/s^2 või vähem	1,5
GA031G	2,5	1,5
GA032G	3,0	1,5

MÄRKUS: Deklareeritud vibratsiooni koguväärtust (-väärtuseid) on mõõdetud kooskõlas standardse katsemeetodiga ning seda võib kasutada ühe seadme võrdlemiseks teisega.

MÄRKUS: Deklareeritud vibratsiooni koguväärtust (-väärtuseid) võib kasutada ka mürataseme esmaseks hindamiseks.

⚠ HOIATUS: Vibratsioonitase võib elektritööriista tegelikkuses kasutamise ajal erineda deklareeritud väärtus(t)est olenevalt tööriista kasutusviisidest ja eriti töödeldavast toorikust.

⚠ HOIATUS: Rakendage operaatori kaitsmiseks kindlasti piisavaid ohutusabinõusid, mis põhinevad hinnangulisel müratasemel tegelikus tööolukorras (võttes arvesse tööperioodi kõiki osasid, näiteks korrad, kui seade lülitatakse välja ja seade töötab tühikäigul, lisaks tööajale).

⚠ HOIATUS: Deklareeritud vibratsiooniheite väärtust kasutatakse elektritööriista peamisest otstarbest lähtudes. Kui tööriista kasutatakse muul otstarbel, võib vibratsiooniheite väärtus olla erinev.

Vastavusdeklaratsioon

Ainult Euroopa riikide puhul

Vastavusdeklaratsioonid on selle juhendi A-lisas.

OHUTUSHOIATUSED

Üldised elektritööriistade ohutusohiatused

⚠ HOIATUS Lugege läbi kõik selle elektritööriista kaasas olevad ohutusohiatused, juhised, illustatsioonid ja tehnilised andmed. Alljärgnevate juhiste eiramine võib põhjustada elektrilöögi, süttimise ja/või

raske kehavigastuse.

Hoidke edaspidisteks viideks alles kõik hoiatused ja juhtnõbrid.

Hoiatuses kasutatud termini „elektritööriist“ all peetakse silmas elektriga töötavaid (juhtmega) elektritööriistu või akuga töötavaid (juhtmeta) elektritööriistu.

Juhtmeta lihviija ohutusohiatused

Käiamise, lihvimise, traatharjamise või lõikamise ohutusohiatused

1. See elektritööriist on mõeldud kasutamiseks käia, lihviija, traatharja, avalõikuri või lõiketööriistana. Lugege läbi kõik selle elektritööriistaga kaasas olevad ohutusohiatused, juhised, illustatsioonid ja tehnilised andmed.

- Alljärgnevate juhiste eiramine võib põhjustada elektrilöögi, süttimise ja/või raske kehavigastuse.
2. **Selle elektritööriista ei tohi poleerida.** Elektritööriistaga mitteentnahtud tööde tegemine võib tekitada ohtlikku olukorra ja põhjustada kehavigastusi.
 3. **Ärge modifitseerige seda elektritööriista nii, et seda saaks kasutada töödeks, mille jaoks tööriista tootja pole seda projekteerinud ja ette näinud .** Selline modifitseerimine võib kaasa tuua juhitavuse kaotuse ja raskek kehavigastused.
 4. **Ärge kasutage tarvikuid, mida tööriista tootja ei ole spetsiaalselt selle tööriista jaoks projekteerinud ja ette näinud.** Asjaolu, et tarviku saab elektritööriista külge kinnitada, ei taga ohutut töötamist.
 5. **Tarviku nimikiirus peab olema vähemalt sama suur kui elektritööriistale märgitud maksimumaalne kiirus.** Tarvikud, mis töötavad nimikiirusest suuremal kiirusel, võivad katki minna ja laiali paiskuda.
 6. **Tarviku välisdiameeter ja paksus peavad jääma teie elektritööriista jaoks ettenähtud parameetrite nimiaandmete vahemikku.** Valede mõõtudega tarvike ei ole tööriistas nõuetekohaselt kaitsitud ega juhitavad.
 7. **Tarvikukinnituse mõõtmed peavad vastama elektritööriista kinnituste mõõtmetele.** Elektritööriista kinnitustega mittesobivad tarvikud lähevad tasakaalust välja, vibreerivad tugevalt ja võivad põhjustada juhitavuse kaotust.
 8. **Ärge kasutage kahjustunud tarvikut. Enne iga kasutamist kontrollige, ega tarvikul, näiteks abrasiivkettal pole laaste või mõrasid, tugi-tallal mõrasid, rebendeid ega liigset kulumist, traatharjal lahtiseid või purunenud traate.** Kui elektritööriist või tarvik kukub maha, kontrollige nende kahjustusi või paigaldage ilma kahjustusteta tarvik. Pärast tarviku kontrollimist ja paigaldamist peate nii teie kui ka kõrvalseisvad isikud hoidma kõõrleva tarviku tasapinnast eemale. Seejärel laske elektritööriistal ühe minuti vältel ilma koormuseta täiskiirusel töötada. Kahjustunud tarvikud purunevad tavaliselt selle katseaja jooksul.
 9. **Kandke isikukaitsevahendeid. Kandke olevalt kasutusest näokaitset, kaitseprille või prille. Vajaduse korral kandke tolmumaski, kõrvaklappe, kindaid ja põlde, mis suudab kaitsa väikeste abrasiivosakeste või töödeldava detaili kildude eest.** Silmade kaitsevahend peab kaitsma eri kasutuste käigus tekkivate lenduvate jäätmete eest. Tolmumask või respiraator peavad suutma filtreerida kindla kasutuse käigus tekkivaid osakesi. Pikaajaline kokkupuude suure müraga võib põhjustada kuulmislangust.
 10. **Hoidke kõrvalseisjad tööpiirkonnast ohutus kauguses. Kõik, kes sisenevad tööpiirkonda, peavad kandma isikukaitsevahendeid.** Töödeldava detaili või purunenud tarviku osakesed võivad eemale paiskuda ja põhjustada vigastusi ka väljaspool vahetut tööpiirkonda.
 11. **Hoidke elektritööriista ainult isoleeritud käepidemetest, kui töötate kohtades, kus lõiketera võib puutuda kokku varjatud juhtmeh-tega.** Kokkupuude voolu all oleva juhtmehga võib pingestada ka elektritööriista katmata metallosad ning kasutaja võib saada elektrilöögi.
 12. **Ärge pange elektritööriista maha enne, kui tarviku liikumine pole täielikult peatunud.** Pöörlev tarvik võib pinnal liikumist jätkata ja elektritööriist kaotada juhitavuse.
 13. **Ärge laske elektritööriistal seda käes kandes töötada.** Juhuslik kokkupuude pöörleva tarviku-ga võib põhjustada riiete kinnijäämist ja tarviku kehasse tõmmata.
 14. **Puhastage elektritööriista õhuavasid regulaarselt.** Mootori ventilator tõmbab tolmua korpusesse ja metallitolmu liigne kogunemine võib põhjustada elektriõhku.
 15. **Ärge kasutage elektritööriista tuleohtlike materjalide lähedal.** Need materjalid võivad sädemetest süttida.
 16. **Ärge kasutage tarvikuid, mis nõuavad jahutusvedelikke.** Vee või teiste vedelate jahutusvahendite kasutamine võib põhjustada surmava elektrilöögi või elektrišoki.
- Tagasilöökk ja sellega seotud hoiatused**
- Tagasilöökk on pöörleva ketta, tugitalla, harjase või muu tarviku kinnikiilumisel või takerdumisel tekkinud järsk reaktsioon. Kinnikiilumine või takerdumine põhjustab pöörleva lisatarviku kiire peatumise, mis omakorda sunnib juhitamatut elektritööriista pöörlema kinnijäämis-punktis lisatarviku pöörlemise suunale vastassuunas. Näiteks kui abrasiivketas kiilub või takerdub töödeldava-vasse detaili, võib kinnikiilumiskohta sisenedu ketta serv materjali pinda tungida, mille tagajärjel ketas hüppab välja või põhjustab tagasilöögi. Lõikeketas võib hüpata kasutaja poole või kasutajast eemale olenevalt ketta liikumissuunast kinnikiilumiskohas. Abrasiivkettad võivad sellistes olukordades ka mürduda.
- Tagasilöökk tekib elektritööriista väärkasutamisel ja/või mittevastava tööprotseduuri või -tingimuste korral ning on välditav, kui rakendate alljärgnevalt esitatud ettevaatusabinõusid.
1. **Hoidke elektritööriistast mõlema käega tugevasti kinni ning seadke keha ja käed sellisesse asendisse, mis võimaldab tagasilöögiõlles vastu panna. Kasutage alati abikäepidet, kui see on olemas, et kaitvamisel tagasilöögi ja pöõrdemomendi reaktsiooni maksimaalselt kontrolli all hoida.** Asjakohaste ettevaatusabinõude rakendamisel saab kasutaja pöõrdemomendi ja tagasilöögi jõudu kontrolli all hoida.
 2. **Ärge pange kunagi oma kätt pöõrleva tarviku lähedale.** Tarvik võib üle käe tagasi lüüa.
 3. **Ärge viige keha asendisse, kus see jääb elektritööriista tagasilöögi piirkonda.** Tagasilöögi tõttu liigub tööriist kinnikiilumiskohas ketta liikumissuunale vastupidises suunas.
 4. **Olge nurkades, teravate servade juures jne eriti ettevaatlik. Vältige tarviku põrkumist ja kinnikiilumist.** Nurgad, teravad servad ja põrkumine kipuvad põhjustama pöõrleva tarviku kinnijäämist, juhitavuse kaotamist ja tagasilööki.
 5. **Ärge kinnitage tööriista külge saeketti, puunikerdustera, segmenteeritud teemantketast, mille servasivendite laius on suurem kui 10 mm, ega hambulist saetera.** Sellised terad põhjustavad sagedast tagasilööki ja juhitavuse kaotust.

Lihvimis- ja lõikamistööde ohutushoiatused

1. **Kasutage vaid kettatüüpe, mis on teie elektritööriistale ette nähtud, ja valitud kettale mõeldud spetsiaalset kaitset.** Kettaid, mille jaoks elektritööriist pole mõeldud, ei saa asjakohaselt kaitsta ja need ei ole ohutud.
2. **Õhema keskosaga lihvketaste lihvping peab jääma kaitsepiirde tasapinnast allapoole.** Kui ketas on valesti paigaldatud ja ulatub kaitsepiirde tasapinnast välja, ei ole võimalik seda piisavalt kaitsta.
3. **Kaitse peab olema elektritööriista külge turvaliselt kinnitatud ja asetatud maksimaalselt turvaliselt – et kasutaja suunas oleks kõige väiksem katmata kettapind.** Kaitse aitab kaitsta kasutajat purunenud kettatükide, kettaga juhusliku kokkupuutesse sattumise ja rõivaid süüdata võivate sädemete eest.
4. **Kettaid tohib kasutada ainult ettenähtud otstarbeks.** Näiteks ärge kasutage lõikeketta külge lihvimiseks. Abrasiivlõikekettad on ette nähtud äärepindade lihvimiseks, nende ketastele rakendatavad külgjõud võivad ketta purustada.
5. **Kasutage ainult terveid kettaäärikuid, mis on valitud ketta jaoks sobiva suuruse ja kujuga.** Sobivad kettaäärikud toestavad ketast, vähendades ketta purunemise ohtu. Lõikeketaste äärikud võivad lihvketaste äärikutest erineda.
6. **Ärge kasutage suuremate elektritööriistade kulunud kettaid.** Suurema elektritööriista jaoks mõeldud ketas ei sobi väiksema tööriista suurema kiirusega ja võib puruneda.
7. **Kaheotstarbeliste ketaste kasutamisel kasutage alati tehtava töö jaoks sobivat kaitset.** Vale kaitsme kasutamine ei pruugi anda soovitud kaitsetaset ning see võib põhjustada raskeid vigastusi.

Lõikeoperatsioonide lisaohutushoiatused

1. **Ärge „kiluge“ lõikeketast ega rakendage liigset survet. Ärge püüdke teha liiga sügavat lõiget.** Ketta ülepingestamine suurendab ketta koormust ja vastuvõtlikkust väändumisele või lõikes kinnijäämisele ning tagasilöögi esinemise või ketta purunemise võimalust.
2. **Ärge viige oma keha pöörleva kettaga ühele jonele ega ketta taha.** Kui ketas liigub kasutamise ajal teie kehast eemale, võib võimalik tagasilöök pöördketast ja elektritööriista otse teie poole liigutada.
3. **Kui ketas on kinni jäänud või lõikamine mingil põhjusel katkestatakse, lülitage elektritööriist välja ja hoidke seda liikumatult kuni ketta täieliku seiskumiseni.** Ärge kunagi püüdke eemaldada lõikeketast lõikest, kui ketas liigub, sest muidu võib tekkida tagasilöök. Selgitage välja ketta kinnijäämise põhjus ja võtke tarvitusele meetmed põhjuse kõrvaldamiseks.
4. **Ärge taaskäivitage lõikeoperatsiooni, kui ketas on töödeldavas detailis.** Laske kettal saavutada täiskiirus ja sisenege seejärel uuesti ettevaatlikult lõikesse. Kui elektritööriist taaskäivitatakse töödeldavas detailis, võib ketas kinni jääda, ülespoole liikuda või põhjustada tagasilöögi.
5. **Ketta kinnikiilumise ja tagasilöögi riski vähendamiseks toestage paneelid või**

suuremöötmeline töödeldav detail. Suured töödeldavad detailid kipuvad oma raskuse all rippu vajuma. Toed tuleb paigutada töödeldava detaili alla lõikejoone ja töödeldava detaili serva lähedale ketta mõlemale küljele.

6. **Olige eriti ettevaatlik, kui lõikate „taskuid“ olemasolevatesse seintesse või muudesse kaetud kohtadesse.** Esileulatu ketas võib lõigata gaasi- või veetorusid, elektrijuhtmeid ja esemeid, mis võivad põhjustada tagasilööki.
7. **Ärge püüdke teha kõveraid lõikeid.** Ketta ülepingestamine suurendab ketta koormust ja vastuvõtlikkust väändumisele või lõikes kinnijäämisele ning tagasilöögi esinemise või ketta purunemise võimalikkust, mis võivad põhjustada raskeid vigastusi.
8. **Enne segmentidega servaga teemantketta kasutamist veenduge, et teemantketta serva segmentide vahe oleks 10 mm või vähem ning et tegemist oleks kindlasti lõiketera negatiivse esinurgaga.**

Lihvimise ohutushoiatused

1. **Kasutage sobiva suurusega lihvketapaberit.** Lihvpaberi valikul järgige tootjate soovitusi. Lihvtallast liiga palju kaugemale ulatuv suurem lihvpaper on rebenemisohtlik ja võib põhjustada ketta kinnijäämist, purunemist või tagasilööki.

Traatharjamise ohutushoiatused

1. **Arvestage, et hari viskab traatharjaseid ka tavakäituse ajal. Ärge avaldage traatraatidele liigset pinget harjale liigse koormuse rakendamiseks.** Traatharjased võivad lihtsalt kergesse rõivastusse ja/või nahka tungida.
2. **Kui traatharjamisel soovitakse kasutada kaitset, ärge laske traatketal ega -harjal kaitsmega kokku puutuda.** Traatketas või -hari võib laieneda läbimõeldud töökoormuse ja tsentrifugaaljõu tõttu.

Lisaturvahoiatused:

1. **Kui kasutate nõgusa keskosaga lihvkettaid, veenduge, et kasutate ainult klaaskiuga tugevdatud kettaid.**
2. **ÄRGE KUNAGI kasutage selle lihvijaga koos kausslihvkettaid.** Seda lihvijat ei kasutata koos nimetatud ketastega, sest need võivad põhjustada tõsise kehavigastuse.
3. **Ärge vigastage võlli, äärikut (eriti selle paigalduspinda) ega fiksaatormutrit.** Nende osade kahjustused võivad põhjustada ketta purunemise.
4. **Veenduge, et lihvketas ei puutuks enne tööriista sisselülitamist vastu töödeldavat detaili.**
5. **Enne tööriista kasutamist tegelikus töökeskkonnas laske sellel mõni aeg koormuseta töötada.** Jälgige vibratsiooni või vibamist, mis võib tähendada ebaõiget paigaldust või halvasti tasakaalustatud ketast.
6. **Lihvige selleks ette nähtud kettapinna osaga.**
7. **Ärge jätke tööriista käima.** Käivitage tööriist ainult siis, kui hoiate seda käes.
8. **Ärge puutuge töödeldavat detaili vahetult pärast töötlemist; see võib olla väga kuum ja põhjustada põletushaavu.**
9. **Ärge puutuge tarvikuid vahetult pärast töötlemist; need võivad olla väga kuumad ja**

- põhjustada põletushaavu.
10. **Ketaste ja tarvikute õigeks paigaldamiseks ja kasutamiseks järgige tootja juhiseid.**
Vale paigaldus ja kasutamine võib kaasa tuua kehavigastused.
 11. **Käsitsege ja ladustage kettaid hoolikalt.**
 12. **Ärge kasutage suureauguliste lihvketaste kinnitamiseks sobituspukse või adaptereid.**
 13. **Kasutage ainult äärikuid, mis on mõeldud kasutamiseks selle tööriistaga.**
 14. **Tööriistade korral, kus kasutatakse keermes-
tatud auguga kettaid, jälgige, et ketta keerne
pikkus oleks piisav võlliile kinnitamiseks.**
 15. **Kontrollige, kas töödeldav detail on korralikult
kinnitatud.**
 16. **Pöörake tähelepanu asjaolule, et ketas jätkab
pöörlemist ka pärast tööriista väljalülitamist.**
 17. **Kui töökoht on äärmiselt kuum ja niiske või
tugevalt saastatud elektrit juhtiva tolmuga, siis
tuleb operaatori ohutuse tagamiseks kasutada
lühisvoolukaitset (30 mA).**
 18. **Ärge kasutage tööriista asbesti sisaldavate
materjalide töötlemiseks.**
 19. **Lõikeketta kasutamisel kasutage alati tolmuko-
guriga kettakaitset, kui kohalikud nõuded seda
ette näevad.**
 20. **Lõikekettaid ei tohi külgsuunas suruda.**
 21. **Ärge kasutage töötamise ajal riidest töökin-
daid.** Riidest kinnaste kiud võivad sattuda tööriista
sisse ja põhjustada tööriista purunemise.
 22. **Enne töötamist veenduge, et töödeldavas
detailis ei oleks selliseid varjatud esemeid
nagu elektri-, vee- või gaasitoru.** Nende olemas-
olu võib põhjustada elektrilööki, elektri- või
gaasileket.
 23. **Kui kettale on paigaldatud vaheseib, ärge
eemaldage seda.** Vaheseibi läbimõõt peab
olema suurem kui fiksaatormutril, välisel ääri-
kul ja sisemisel äärikul.
 24. **Enne lihvketta paigaldamist kontrollige alati,
ega vaheseibil ei esine kõrvalekaldeid, nt mur-
dunud kilde või pragusid.**
 25. **Keerake fiksaatormutter korralikult kinni.**
Ketta ülepingutamine võib põhjustada purune-
mist ja ebapiisav pingutamine võib põhjustada
laperdamist.
 3. **Kui tööaeg järsult lüheneb, siis lõpetage kohe
kasutamine.** Edasise kasutamise tulemuseks
võib olla ülekuumenemisoht, võimalikud põle-
tused või isegi plahvatus.
 4. **Kui elektrolüüti satub silma, siis loputage
silma puhta veega ja pöörduge koheselt
arsti poole.** Selline õnnetus võib põhjustada
pimedaksjäämist.
 5. **Ärge tekitage akukassetis lühist:**
 - (1) **Ärge puutuge klemme elektrijuhtidega.**
 - (2) **Ärge hoidke akukasseti tööriistakastis
koos metallsemetega, nagu naelad,
mündid jne.**
 - (3) **Ärge tehke akukasseti märjaks ega jätke
seda vihma kätte.**
- Aku lühis võib põhjustada tugevat elektri-
voolu, ülekuumenemist, põletusi ning ka sea-
det tõsiselt kahjustada.**
6. **Ärge hoidke ega kasutage tööriista ja akukas-
setti kohtades, kus temperatuur võib tõusta
üle 50 °C (122 °F).**
 7. **Ärge põletage akukasseti isegi siis, kui see on
saanud tõsiselt vigastada või on täiesti kulu-
nud.** Akukasseti võib tules plahvatada.
 8. **Ärge naelutage, lõigake, muljuge, visake aku-
kasseti ega laske sel kukkuda, samuti ärge
lööge selle pihta kõva esemega.** Selline tegevus
võib põhjustada tulekahju, liigset kuumust või
plahvatuset.
 9. **Ärge kasutage kahjustatud akut.**
 10. **Sisalduvatele liitium-ioonakudele võivad
kohalduda ohtlike kaupade õigusaktide nõu-
ded.**
Kaubanduslikul transportimisel, näiteks kolman-
date poolte või transpordiettevõtete poolt, tuleb
järgida pakendil ja siltidel toodud erinõudeid.
Transportimiseks ettevalmistamisel on vajalik
pidada nõu ohtliku materjali ekspertidega. Samuti
tuleb järgida võimalike riiklike regulatsioonide
üksikasjalikumaid nõudeid.
Katke teibiga või varjake avatud kontaktid ja
pakendage aku selliselt, et see ei saaks pakendis
liikuda.
 11. **Kasutuskõlbmatuks muutunud akukasseti
kõrvaldamiseks eemaldage see tööriistast ja
viige selleks ette nähtud kohta.** Järgige kasu-
tuskõlbmatuks muutunud aku kõrvaldamisel
kohalikke eeskirju.
 12. **Kasutage akusid ainult Makita heaks kiidetud
toodetega.** Akude paigaldamine selleks mitte
ettenähtud toodetele võib põhjustada süttimist,
ülemäärast kuumust, plahvatamist või elektrolüüdi
lekkimist.
 13. **Kui tööriista ei kasutata pika ajaperioodi jook-
sul, tuleb aku tööriistast eemaldada.**
 14. **Kasutamise ajal ja pärast kasutamist võib
akukasset kuumeneda, mis võib põhjustada
põletusi või madala temperatuuri põletusi.**
Olge kuuma akukasseti kandmisel ettevaatlik.
 15. **Ärge puudutage tööriista klemmi kohe pärast
kasutamist, sest see võib olla kuum ja põhjus-
tada põletusi.**
 16. **Hoidke akukasseti klemmid, avad ja sooned
tükikestest, tolmust ja mullast puhtad.** See

HOIDKE JUHEND ALLES.

⚠HOIATUS: ÄRGE UNUSTAGE järgida toote
ohutusnõudeid mugavuse või toote (korduskasu-
tamisega saavutatud) hea tundmise tõttu. VALE
KASUTUS või kasutusjuhendi ohutuseeskirjade
eiramine võib põhjustada tervisekahjustusi.

Akukassetiga seotud olulised ohutusjuhised

1. Enne akukasseti kasutamist lugege (1) akulaa-
dijal, (2) akul ja (3) seadmel olevad juhtnöörid
ja hoiatused läbi.
2. Ärge võtke akukasseti lahti ega muutke seda.
See võib põhjustada tulekahju, liigset kuumust või
plahvatuset.

võib põhjustada tööriista või aku ülekuumenemist, süttimist, purunemist ja talitlushäireid, mis võib lõppeda põletuste või kehavigastustega.

17. Kui tööriist ei kannata kasutamist kõrgepingeliinide lähedal, ärge kasutage akukassetti kõrgepingeliinide lähedal. Muidu võib tööriist või akukassett puruneda või sellel tõrge tekkida.
18. Hoidke akut lastele kättesaamatult.

HOIDKE JUHEND ALLES.

⚠ETTEVAATUST: Kasutage ainult Makita originaalakusid. Mitte Makita originaalakude või muudetud akude kasutamine võib põhjustada akude süttimise, kehavigastuse ja kahjustuse. Samuti muudab see kehtetuks Makita tööriista ja laadija Makita garantii.

Vihjeid aku maksimaalse kasutajaga tagamise kohta

1. Laadige akukassetti enne selle täielikku tühenemist. Kui märkate, et tööriist töötab väiksema võimsusega, peatage töö ja laadige akukassetti.
2. Ärge laadige täielikult laetud akukassetti. Ülelaadimine lühendab akude kasutusiga.
3. Laadige akukassetti toatemperatuuril 10 °C - 40 °C. Enne laadimist laske kuumenenud akukassetil maha jahtuda.
4. Kui te ei kasuta parajasti akukassetti, eemaldage see tööriistast või laadurist.
5. Kui te ei kasuta akukassetti kauem kui kuus kuud, laadige see.

Juhtmeta seadmega seotud olulised ohutusjuhised

1. Ärge võtke juhtmeta seadet lahti ega muutke seda omavoliliselt.
2. Hoidke juhtmeta seadet lastele kättesaamatus kohas. Kogemata allaneelamise korral pöörduda kohe arsti poole.
3. Kasutage juhtmeta seadet ainult koos Makita tööriistadega.
4. Ärge jätke juhtmeta seadet vihma kätte ega märga keskkonda.
5. Ärge kasutage juhtmeta seadet kohtades, kus temperatuur on üle 50 °C.
6. Ärge kasutage juhtmeta seadet kohtades, kus leidub meditsiinilisi seadmeid, nagu südamestimulaatorid.
7. Ärge kasutage juhtmeta seadet kohtades, kus leidub automatiseeritud seadmeid. Muidu võib automatiseeritud seadmetel esineda talitlushäireid või need võivad minna rikki.
8. Ärge töötage juhtmeta seadmega kohtades, kus on kõrge temperatuur ja kus võib esineda staatilist elektrit või elektrilist müra.
9. Juhtmeta seadmed võivad tekitada elektromagnetvälju (EMV), mis ei ole kasutajale kahjulikud.
10. Juhtmeta seade on täppisseade. Olge ettevaatlik, ärge laske juhtmevabal seadmel maha kukkuda ja vältige lööke.

11. Ärge puudutage juhtmeta seadme klemmi paljaste käte või metallesemetega.
12. Juhtmeta seadme tööriista sisse paigaldamisel eemaldage tootest alati aku.
13. Ärge avage pesa katet kohas, kus tolm või vesi võivad pesasse sattuda. Hoidke pesa siselaskeava alati puhtana.
14. Sisestage juhtmeta seade alati õiges suunas.
15. Ärge vajutage juhtmeta seadme juhtmeta aktiveerimise nupule liiga tugevalt ja/või ärge tehke seda teravate servadega esemega.
16. Sulgege pesa kaas alati pärast kasutamist.
17. Ärge eemaldage juhtmeta seadet pesast ajal, kui tööriista varustatakse toitega. Selle juhise järgimata jätmine võib tekitada juhtmeta seadme talitlushäireid.
18. Ärge eemaldage juhtmevabalt seadmelt kleebist.
19. Ärge pange juhtmevabale seadmele mingeid kleebiseid.
20. Ärge jätke juhtmeta seadet kohta, kus võib esineda staatilist elektrit või elektrilist müra.
21. Ärge jätke juhtmeta seadet kohta, kus on väga kuum, nt päikese kätte seisvasse autosse.
22. Ärge jätke juhtmeta seadet tolmusesse või pulbrilisse kohta või kohta, kus võib esineda söövitavaid gaase.
23. Äkiline temperatuuri muutumine võib tekitada juhtmeta seadme pinnale niiskuskihki. Ärge kasutage juhtmeta seadet enne, kui kogunenud niiskus on täielikult ära kuivanud.
24. Juhtmeta seadme puhastamisel pühkige seda õrnalt pehme lapiga. Ärge kasutage bensiini, lahusteid, juhtivaid määrdeid vms.
25. Juhtmeta seadme hoiustamisel hoidke seda komplekti kuuluvas karbis või staatikavabas konteineris.
26. Ärge sisestage tööriista pesasse muid seadmeid kui Makita juhtmeta seade.
27. Ärge kasutage tööriista, kui pesa kaas on kahjustunud. Pessa sattuvad vesi, tolm või mustus võivad põhjustada talitlushäireid.
28. Ärge tõmmake ega väänake pesa katet rohkem kui vajalik. Kui tööriistalt tuleb kaas ära, siis pange see oma kohale tagasi.
29. Asendage pesa kaas, kui see on läinud kaduma või kahjustunud.

HOIDKE JUHEND ALLES.

FUNKTSIONAALNE KIRJELDUS

⚠ETTEVAATUST: Kandke alati hoolt selle eest, et tööriist oleks enne reguleerimist ja kontrollimist välja lülitatud ja akukassett eemaldatud.

Akukasseti paigaldamine või eemaldamine

⚠ETTEVAATUST: Lülitage tööriist alati enne akukasseti paigaldamist või eemaldamist välja.

⚠ETTEVAATUST: Akukasseti paigaldamisel või eemaldamisel tuleb tööriista ja akukassetti ei hoita kindlalt paigal, võivad need käest libiseda ning kahjustada tööriista ja akukassetti või põhjustada kehavigastusi.

Akukasseti paigaldamiseks joondage akukasseti keel korpuse soonega ja libistage kassett oma kohale. Sisestage see tervenisti, kuni see lukustub klõpsuga oma kohale. Kui näete joonisel näidatud punast näidikut, pole see täielikult lukustunud.

Akukasseti eemaldamiseks libistage see tööriista küljest lahti, vajutades kasseti esiküljel paiknevat nuppu alla.

► **Joon.1:** 1. Punane näidik 2. Nupp 3. Akukassett

















⚠ETTEVAATUST: Paigaldage akukassett alati täies ulatuses nii, et punast osa ei jääks näha. Muidu võib adapter juhuslikult tööriistast välja kukkuda ning põhjustada teile või läheduses viibivatele isikutele vigastusi.

⚠ETTEVAATUST: Ärge rakendage akukassetti paigaldamisel jõudu. Kui kassett ei lähe kergesti sisse, pole see õigesti paigaldatud.

Aku jääkmahutavuse näit

Akukasseti järelejäänud mahutavuse kontrollimiseks vajutage kontrollimise nuppu. Märgulambid süttivad mõneks sekundiks.

► **Joon.2:** 1. Märgulambid 2. Kontrollimise nupp

Märgulambid			Jääkmahutavus
 Pöleb	 Ei põle	 Vigub	
			75 - 100%
			50 - 75%
			25 - 50%
			0 - 25%
			Laadige akut.
  ↑ ↓  			Akul võib olla tõrge.

MÄRKUS: Näidatud mahutavus võib veidi erineda tegelikust mahutavusest olenevalt kasutustingimustest ja ümbritseva keskkonna temperatuurist.

MÄRKUS: Esimene (taga vasakul asuv) märgutuli vilgub, kui akukaitsesüsteem töötab.

Tööriista/aku kaitsesüsteem

Tööriist on varustatud tööriista või aku kaitsesüsteemiga. Süsteem lülitab mootori automaatselt välja, et pikendada tööriista ja aku tööiga. Tööriist seiskub käitame ajal automaatselt, kui tööriista või aku kohta kehtib üks järgmistest tingimustest.

Ülekoormuskaitse

Kui tööriista/aku kasutamise käigus hakkab see tarbima ebaharilikult palju voolu, peatub tööriist automaatselt ilma igasuguse signaalita. Sel juhul lülitage tööriist välja ja lõpetage tööriista ülekoormuse põhjustanud töö. Pärast seda käivitage tööriist uuesti.

Ülekuumenemiskaitse

Tööriista/aku ülekuumenemisel seiskub tööriist automaatselt. Laske tööriistal maha jahtuda, enne kui selle uuesti sisse lülitate.

Ülelaadimiskaitse

Kui aku laetuse tase ei ole piisav, seiskub tööriist automaatselt. Sellisel juhul eemaldage aku seadmest ja laadige täis.

Kaitseluku vabastamine

Kaitsesüsteemi korduval töötamisel tööriist lukustub. Sellises olukorras ei käivitu tööriist isegi siis, kui seda lülitatakse välja ja sisse. Kaitseluku vabastamiseks eemaldage aku, seadke see akulaadijasse ja oodake, kuni laadimine lõpeb.

Kaitse muude põhjuste korral

Kaitsesüsteem on mõeldud ka muude põhjuste jaoks, mis võivad tööriista kahjustada, ja võimaldab tööriistal automaatselt seiskuda. Kui tööriist on ajutiselt peatatud või seiskunud, toimige põhjuste kõrvaldamiseks järgnevalt.

1. Veenduge, et kõik lülitid oleksid väljalülitatud asendis, seejärel lülitage tööriist uuesti käivitamiseks jälle sisse.
2. Laadige akut (akusid) või asendage aku (akud).
3. Laske tööriistal ja akul (akudel) jahtuda.

Kui kaitsesüsteemi taastamisega ei õnnestu olukorda parandada, võtke ühendust kohaliku Makita hoolduskeskusega.

Võllilukk

⚠HOIATUS: Käivitage võllilukk üksnes siis, kui võll ei liigu. Vastasel juhul võib kaasnedra raske vigastus või tööriista kahjustus.

Võlli pöörlemise takistamiseks vajutage võllilukku alati, kui paigaldate või eemaldate tarvikuid.

► **Joon.3:** 1. Võllilukk

Lüliti funktsioneerimine

⚠ETTEVAATUST: Enne akukasetti paigaldamist tööriista sisse kontrollige alati, kas hooblüüti funktsioneerib õigesti ning liigub vabastamisel tagasi asendisse „OFF” (VÄLJAS).

⚠ETTEVAATUST: Ohutuse huvides on selle tööriista lahtilukustuse hoob, mis hoiab ära tööriista ootamatu käivitamise. ÄRGE KUNAGI kasutage tööriista, kui see hakkab tööle lihtsalt hooblüüti tõmbamisel, lahtilukustushooba vajutamata. ENNE edasist kasutamist viige masin remonti meie volitatud teeninduskeskusesse.

⚠ETTEVAATUST: Ärge tõmmake hooblüütit jõuga ilma lahtilukustushooba vajutamata. See võib põhjustada lüliti purunemise.

⚠ETTEVAATUST: ÄRGE KUNAGI teipige lahtilukustuse hooba kinni ega üritage selle funktsiooni blokeerida.

Hooblüüti juhusliku tõmbamise vältimiseks on tööriist varustatud lahtilukustushoovaga.

Tööriista käivitamiseks tõmmake lahtilukustushooba enda poole ning seejärel tõmmake hooblüütit.

Tööriista seiskamiseks vabastage hooblüüti.

► **Joon.4:** 1. Lahtilukustushoob 2. Hooblüüti

Kiirusregulaator

Tööriista pöörlemiskiirust saab kiirusregulaatorit pöörates muuta. Järgnevas tabelis on toodud regulaatoril asuv number ja sellele vastav pöörlemiskiirus.

► **Joon.5:** 1. Kiirusregulaator

Number	Kiirus
1	3 000 min ⁻¹
2	4 500 min ⁻¹
3	6 000 min ⁻¹
4	7 500 min ⁻¹
5	9 000 min ⁻¹

TÄHELEPANU: Kui tööriista kasutatakse lakka- matult pika aja vältel aeglasel kiirusel, koormab see mootori üle ja tööriista töös võivad tekkida tõrked.

TÄHELEPANU: Kiiruse reguleerimise skaalat saab pöörata ainult kuni 5-ni ja tagasi kuni 1-ni. Ärge suruge skaalat jõuga üle 5 või 1, kuna kiiruse reguleerimisfunktsioon võib rikki minna.

Juhusliku taaskäivitamise vältimise funktsioon

Akukasetti paigaldamisel sisselülitatud lülitiga ei käivitu tööriist.

Tööriista käivitamiseks lülitage lüliti välja ja uuesti sisse.

Aktiivne tagaside tajumise tehnoloogia

Tööriist tuvastab elektrooniliselt olukorrad, kus ketas või tarvik ähvardavad kinni jääda. Sellises olukorras lülitatakse tööriist võlli edasise pöörlemise vältimiseks automaatselt välja (see ei hoiä ära tagasilööki). Tööriista taaskäivitamiseks lülitage tööriist esmalt välja, kõrvaldage pöörlemiskiiruse ootamatu langemise põhjus ja lülitage tööriist seejärel uuesti sisse.

Sujuvkäivituse funktsioon

Sujuvkäivituse funktsioon vähendab käivituslööki.

Elektriline pidur

Ainult mudelil GA027G / GA028G / GA029G

Tööriista väljalülitamise järel aktiveeritakse elektriline pidur.

Kui elektrivarustus katkestatakse, näiteks aku juhuslikul eemaldamisel, kuid lüliti jääb endiselt sisselülitatud asendisse, siis pidur ei toimi.

KOKKUPANEK

⚠ETTEVAATUST: Kandke alati hoolt selle eest, et tööriist oleks enne reguleerimist ja kontrollimist välja lülitatud ja akukasett eemaldatud.

Külgkäepideme (käepide) paigaldamine

⚠ETTEVAATUST: Enne tööd kontrollige alati, kas külgkäepide on kindlalt paigaldatud.

Kravige külgkäepide kindlalt oma kohale, nii nagu joonisel näidatud.

► **Joon.6**

Kettakaitsme paigaldamine või eemaldamine

⚠HOIATUS: Kui kasutate nõgusa keskosaga ketast, lamellketast, painduvat ketast või ketast-raatharja, tuleb kettakaitsme paigaldada tööriista külge nii, et kaitsme kinnine külg jääks alati operaatore poole.

⚠HOIATUS: Veenduge, et lukustushoob oleks kettakaitsme turvaliselt lukustanud, lukustades ühe kettakaitsmel oleva augu.

⚠HOIATUS: Kui kasutate lihv-/teemantketast, siis valige kindlasti spetsiaalselt selle löikeketaga kasutamiseks mõeldud kettakaitsme.

Nõgusa keskosaga kettale, lamellkettale, painduvale kettale, ketastraatharjale / lõikekettale, teemantkettale

1. Paigaldage kettakaitse lukustushooba alla vajutades nii, et kettakaitse klambri eendid oleksid laagri-ümbrise sälkudega kohakuti.

► **Joon.7:** 1. Lukustushoob 2. Soon 3. Eenduv osa

2. Lukustushooba A suunas lütkate suruge alla kettakaitse, hoides B-osj joonisel näidatud viisil all.

► **Joon.8:** 1. Kettakaitse 2. Ava

MÄRKUS: Suruge kettakaitse sirgelt alla. Muidu ei ole võimalik kettakaitset täielikult suruda.

3. Hoides lukustushooba ja kettakaitset 2. sammus kirjeldatud asendis, keerake kettakaitse C suunas ja muutke seejärel kettakaitse nurka olenevalt tööst, et kasutaja oleks kaitstud. Viige lukustushoob kohakuti kettakaitse aukudest ühega ja vabastage seejärel kettakaitse lukustamiseks lukustushoob.

► **Joon.9:** 1. Kettakaitse 2. Ava

MÄRKUS: Suruge kettakaitse täielikult alla. Muidu ei ole võimalik kettakaitset pöörata.

Kettakaitse eemaldamiseks järgige paigaldamise protseduuri vastupidises järjekorras.

Klamberkinnitusega lõikekettakaitse

Valikuline tarvik

MÄRKUS: Lõiketöödeks võib kettakaitsemel kasutada klamberkinnitusega lõikekettakaitset (lihvketta oma). Ei ole mõnes riigis saadaval.

► **Joon.10**

Nõgusa keskosaga ketta või lamellketta paigaldamine või eemaldamine

Valikuline tarvik

⚠HOIATUS: Kui kasutate nõgusa keskosaga kettast või lamellkettast, tuleb kettakaitse paigaldada tööriista külge nii, et kaitse kinnine külg jääks alati operaatori poole.

⚠HOIATUS: Veenduge, et siseääriku paigaldusosa sobiks suurepäraselt nõgusa keskosaga ketta / lamellketta siseläbimõõduga. Siseääriku paigaldamine valele küljele võib põhjustada ohtlikku vibratsiooni.

Paigaldage siseäärik võllile.

Asetage siseääriku süvendatud pool kindlasti võlli põhjas sirgele osale.

Paigaldage nõgusa keskosaga ketas / lamellketas siseääriku peale ja keerake fiksaatormutter võlli külge.

► **Joon.11:** 1. Fiksaatormutter 2. Nõgusa keskosaga ketas 3. Siseäärik 4. Paigaldusosa

Fiksaatormutri pingutamiseks suruge tugevalt võlli lukustusnuppu nii, et võlli ei saaks pöördeda, ning pingutage fiksaatormutrit fiksaatormutri jaoks ettenähtud

võtmeaga päripäeva.

► **Joon.12:** 1. Fiksaatormutter võti 2. Võllilukk

Ketta eemaldamiseks järgige paigaldamise protseduuri vastupidises järjekorras.

Lõikeketta paigaldamine või eemaldamine

Valikuline tarvik

⚠HOIATUS: Kasutage alati kaasasolevat kaitset, kui tööriistal on painduv ketas. Kui ketas peaks töötamisel tükikideks purunema, aitab kaitse vigastusi vältida.

► **Joon.13:** 1. Fiksaatormutter 2. Painduv ketas 3. Tugipadi 4. Siseäärik

Järgige nõgusa keskosaga ketta juhiseid, kuid kasutage kettal ka tugitalda.

Lihvketta paigaldamine või eemaldamine

Valikuline tarvik

MÄRKUS: Kasutage kasutusjuhendis nimetatud lihvtarvikuid. Need tuleb osta eraldi.

100 mm (4") mudel

► **Joon.14:** 1. Lihvimise fiksaatormutter 2. Lihvketas 3. Kummist tugiketas 4. Siseäärik

1. Paigaldage siseäärik võllile.
2. Paigaldage kummist tugiketas võllile.
3. Sobitage ketas kummist tugikettale ja kruvige lihvimise fiksaatormutter võllile.
4. Hoidke võlli koos võllilukuga ja pingutage lihvimise fiksaatormutrit lukustusmutri mutrivõtmeaga päripäeva.

Ketta eemaldamiseks tegutsege paigaldamise protseduurile vastupidises järjekorras.

Muud mudelid peale 100 mm (4") mudeli

► **Joon.15:** 1. Lihvimise fiksaatormutter 2. Lihvketas 3. Kummist tugiketas

1. Paigaldage kummist tugiketas võllile.
 2. Sobitage ketas kummist tugikettale ja kruvige lihvimise fiksaatormutter võllile.
 3. Hoidke võlli koos võllilukuga ja pingutage lihvimise fiksaatormutrit lukustusmutri mutrivõtmeaga päripäeva.
- Ketta eemaldamiseks tegutsege paigaldamise protseduurile vastupidises järjekorras.

Superäärik

Valikuline tarvik

Superäärik on eritarvik mudelile, millel EI OLE pidurifunktsiooni.

Tähega „F“ märgistatud mudelitel on superäärik standardvarustuses. Võrreldes tavalist tüüpi mutritega vajate fiksaatormutri avamisel kolm korda vähem jõudu.

Ezynuti paigaldamine või eemaldamine

Valikuline tarvik

Ainult tööriistadele, millel on võlli keere M14.

⚠ETTEVAATUST: Ärge kasutage Ezynuti koos superäärikuga. Need äärikud on nii paksud, et völli ei suuda kogu keeret hoida.

Paigaldage siseäärik, abrasiivketas ja Ezynut võllile nii, et Makita logo jääks Ezynutil väljapoole.

► **Joon.16:** 1. Ezynut 2. Abrasiivketas 3. Siseäärik 4. Völli

Vajutage tugevasti võllilukule ja kinnitage Ezynut, keerake abrasiivketast päripäeva lõpuni.

► **Joon.17:** 1. Võllilukk

Ezynuti lahtiühendamiseks keerake Ezynuti välisrõngast vastupäeva.

MÄRKUS: Ezynuti saab avada käsitsi, kui nool osutab sälgule. Muidu kasutage avamiseks mutrivõtit. Sisestage mutrivõtme üks sõrm avasse ja pöörake Ezynuti vastupäeva.

► **Joon.18:** 1. Nool 2. Salk

► **Joon.19**

Lihv-/teemantketta paigaldamine

Valikuline tarvik

⚠HOIATUS: Kui kasutate lihv-/teemantketast, siis valige kindlasti spetsiaalselt selle löikeketaga kasutamiseks mõeldud kettakaitse.

⚠HOIATUS: ÄRGE KUNAGI kasutage löikeketast külglihvimiseks.

► **Joon.20:** 1. Fiksaatormutter 2. Lihv-/teemantketas 3. Siseäärik 4. Lihv-/teemantketta ketta kaitse

Paigaldamisel järgige nõgusa keskosaga ketast puudutavaid juhtnõure.

Fiksaatormutri ja siseääriku suund monteerimisel sõltub ketta tüübist ja pakuseest.

Vt järgmisi jooniseid.

100 mm (4") mudel

Lihvketta paigaldamine:

► **Joon.21:** 1. Fiksaatormutter 2. Abrasiivlöikeketas (õhem kui 4 mm (5/32")) 3. Abrasiivlöikeketas (4 mm (5/32") või paksem) 4. Siseäärik

Teemantketta paigaldamine:

► **Joon.22:** 1. Fiksaatormutter 2. Teemantketas (õhem kui 4 mm (5/32")) 3. Teemantketas (4 mm (5/32") või paksem) 4. Siseäärik

Muud mudelid peale 100 mm (4") mudeli

Lihvketta paigaldamine:

► **Joon.23:** 1. Fiksaatormutter 2. Abrasiivlöikeketas

(õhem kui 4 mm (5/32"))

3. Abrasiivlöikeketas (4 mm (5/32") või paksem) 4. Siseäärik

Teemantketta paigaldamine:

► **Joon.24:** 1. Fiksaatormutter 2. Teemantketas (õhem kui 4 mm (5/32")) 3. Teemantketas (4 mm (5/32") või paksem) 4. Siseäärik

Traatidega kaussharja paigaldamine

Valikuline tarvik

⚠ETTEVAATUST: Ärge kasutage kahjustunud või balansseerimata traatidega kaussharja. Kahjustunud traatidega kaussharja kasutamine võib suurendada vigastusohu katkiste terasharjastega kokkupuute tõttu.

Juurdepääsu hõlbustamiseks võllile pange tööriist tagurpidi.

Eemaldage võllilt kõik tarvikud. Paigaldage terashari võllile ja keerake kaasasoleva mutrivõtmeaga kinni.

► **Joon.25:** 1. Kausshari Terasharjad

Ketastraatharja paigaldamine

Valikuline tarvik

⚠ETTEVAATUST: Ärge kasutage kahjustatud või tasakaalustamata ketastraatharja. Kahjustatud ketastraatharja kasutamine võib suurendada katkiste harjaste põhjustatud vigastusohu.

⚠ETTEVAATUST: Kasutage ketastraatharjaga töötamisel ALATI kaitset, valides ketta diametrile sobiva suuruse. Kui ketas peaks töötamisel tükikideks purunema, aitab kaitse vigastusi vältida.

Juurdepääsu hõlbustamiseks võllile pange tööriist tagurpidi.

Eemaldage võllilt kõik tarvikud. Keerake ketastraathari võllile ja kinnitage mutrivõtmeaga.

► **Joon.26:** 1. Ketastraathari

Avalõikuri paigaldamine

Valikuline tarvik

Juurdepääsu hõlbustamiseks võllile pange tööriist tagurpidi.

Eemaldage võllil olevad tarvikud. Keerake avalõikuri võllile ja pingutage kaasasoleva mutrivõtmeaga.

► **Joon.27:** 1. Avalõikuri

Tolmukoguriga kettakaitse paigaldamine lihvimiseks

Ainult mudelil GA028G / GA029G / GA031G / GA032G

Valikuline tarvik

Lisatarvikute abil saate seda tööriista kasutada betoonpindade lihvimiseks.

⚠ETTEVAATUST: Tolmukoguja kettakaitse nihkega teemantkettale on mõeldud ainult teemantkettaga betoonliihvijaga kasutamiseks. Ärge kasutage seda ühegi teise lisatarvikuga ega mõneks muuks tegevuseks.

⚠ETTEVAATUST: Enne kasutamist veenduge, et tolmuimeja oleks ühendatud ja sisse lülitatud.

Pange tööriist tagurpidi ja ja paigaldage tolmukoguriga kettakaitse.

Paigaldage völliile siseäärik.

Paigaldage kausikujuline teemantketas siseäärikule ja pingutage fiksaatormutter völliile.

► **Joon.28:** 1. Fiksaatormutter 2. Kausikujuline teemantketas 3. Rummuga kausikujuline teemantketas 4. Siseäärik 5. Tolmukoguriga kettakaitse 6. Tugikorpus

MÄRKUS: Tolmukoguriga kettakaitse paigaldamishüpsid leiate tolmukoguriga kettakaitse juhendist.

Tolmukoguriga kettakaitse paigaldamine lõikamiseks

Valikuline tarvik

Lisatarvikutega saab tööriista kasutada kivimaterjalide lõikamiseks.

► **Joon.29**

MÄRKUS: Tolmukoguriga kettakaitse paigaldamishüpsid leiate tolmukoguriga kettakaitse juhendist.

Tolmuimeja ühendamine

Valikuline tarvik

⚠HOIATUS: Ärge imege tolmuimejaga metalli, mis on tekkinud käimise, lõikamise või lihvimise tulemusena. Sellise tegevuse tulemusena tekkinud metallosakesed on niivõrd kuumad, et süütavad tolmuimeja sees oleva tolmu ja filtri.

Müüritise lõikamisel tekkida võiva tolmu keskkonna vältimiseks kasutage tolmuemaldusega kettakaitset ja tolmuimejat.

Kokkupanemist ja kasutamist vaadake kasutusjuhendist, mis on tolmuemaldusega kettakaitsega kaasas.

► **Joon.30:** 1. Tolmuemaldusega kettakaitse 2. Tolmuimeja voolik

TÖÖRIISTA KASUTAMINE

⚠HOIATUS: Ärge kasutage tööriista suhtes kunagi jõudu. Tööriista enda raskus annab piisava surve. Ülemäärane surumine ja surve võivad põhjustada ketta ohtliku purunemise.

⚠HOIATUS: Vahetage ketas ALATI välja, kui tööriist on käimise ajal maha kukkunud.

⚠HOIATUS: Ärge KUNAGI lõõge ketast vastu töödeldavat detaili.

⚠HOIATUS: Vältige ketta kinnikiilumist ja vastu töödeldavat pinda pörkumist, eriti siis, kui töötate nurkades ja teravate servadega jne. See võib põhjustada ohtlikke tagasilööke.

⚠HOIATUS: Ärge kasutage tööriista puude saagimise saeletehedega ega muude saeletehedega. Selliste saeletehede kasutamisel lihvijaga annavad need sageli tagasilöögi ja toovad endaga kaasa kontrolli kaotamise, mis põhjustab vigastuste tekkimist.

⚠ETTEVAATUST: Ärge käivitage kunagi tööriista, mis on kontaktis töödeldava pinna või detailiga, sest see võib kaasa tuua ohtlikke vigastusi.

⚠ETTEVAATUST: Kandke töö juures alati kaitseprille või näokatet.

⚠ETTEVAATUST: Pärast tööd lülitage tööriist alati välja ja oodake enne tööriista käest panemist, kuni ketas on täielikult seiskunud.

⚠ETTEVAATUST: Hoidke tööriista ALATI kindlalt ühe käega korpusest ja teisega külgakäepidemest.

MÄRKUS: Kaheotstarbelist ketast saab kasutada nii lihvimiseks kui ka lõikamiseks.

Lihvimise kohta lugege jaotist „Käimise ja lihvimise režiim“, lõikamise kohta jaotist „Lihv-/teemantketta käitamine“.

Käimise ja lihvimise režiim

► **Joon.31**

Lülitage tööriist sisse ja alustage seejärel kettaga pinna või detaili töötlemist.

Tavaliselt hoidke ketta serva töödeldava pinna suhtes u 15° nurga all.

Uue ketta sissetöötamisperioodil ärge töötage käiaga edasisuunas; sest muidu võib ketas lõikuda töödeldavasse pinda. Kui ketta serv on töö käigus ümaraks muutunud, võib ketast kasutada nii edasi- kui ka tagasisuunas.

Kasutusnäide: kasutamine kausikujulise teemantkettaga

► **Joon.32**

Hoidke tööriista horisontaalselt ja asetage töödeldava detaili pinnale kogu kausikujuline teemantketas.

Lihv-/teemantketta käitamine

Valikuline tarvik

⚠️HOIATUS: Ärge ummistage ketast ega rakedage liigset jõudu. Ärge püüdke teha liiga sügavat lõiget. Liigse jõu rakendamise suurendab koormust ja ketta väänamise või kinnikiilumise tõenäosust lõikejalles ning tagasilöögi, ketta purunemise ja mootori ülekuumenemise võimalusi.

⚠️HOIATUS: Ärge käivitage töödeldava detaili löikeoperatsiooni. Laske kettal saavutada täiskiirus ja sisenege hoolikalt lõikesse, liigutades tööriista üle töödeldava detaili pinna. Kui elektritööriista taaskäivitatakse töödeldava detaili sees, võib ketta kinni jääda, ülespoole liikuda või põhjustada tagasilöögi.

⚠️HOIATUS: Ärge kunagi muutke ketta nurka löikeoperatsiooni ajal. Lõikeketastele külgsurve rakendamine (nagu lihvimisel) põhjustab ketta mõranemise ja purunemise, mis võib kaasa tuua tõsiseid vigastusi.

⚠️HOIATUS: Teemantketast tuleb kasutada lõigatava materjali suhtes ristloodis.

Kasutusnäide: töötamine löikekettaga

► Joon.33

Kasutusnäide: töötamine teemantkettaga

► Joon.34

Traatidega kaussharja käitamine

Valikuline tarvik

⚠️ETTEVAATUST: Kontrollige traatidega kaussharja tööd, lastes tööriistal koormuseta töötada ja jälgides, et keegi ei asuks traatidega kaussharja ees või sellega ühel joonel.

TÄHELEPANU: Vältige liigse surve avaldamist, mis võiks põhjustada traatidega kaussharja kasutamise ajal traatide ülepaindumist. See võib tuua kaasa enneaegse purunemise.

Kasutusnäide: töötamine traatidega kaussharjaga

► Joon.35

Ketastraatharja käitamine

Valikuline tarvik

⚠️ETTEVAATUST: Kontrollige ketastraatharja tööd, lastes tööriistal tühjalt käia ja kandes hoolt selle eest, et keegi ei asuks ketastraatharja ees või sellega ühel joonel.

TÄHELEPANU: Vältige liigse jõu rakendamist, mis põhjustab traatide ülemääraast paindumist ketastraatharja kasutamise ajal. See võib põhjustada enneaegset purunemist.

Kasutusnäide: töötamine ketastraatharjaga

► Joon.36

Kasutamine avalõikuriga

Valikuline tarvik

⚠️ETTEVAATUST: Kontrollige avalõikuri tööd, lastes tööriistal töötada ilma koormuseta ja jälgides, et keegi ei oleks avalõikuri ees.

TÄHELEPANU: Ärge kallutage tööriista töö ajal. See võib tuua kaasa enneaegse purunemise.

Kasutusnäide: kasutamine avalõikuriga

► Joon.37

JUHTMETA AKTIVEERIMISE FUNKTSIOON

Mida võimaldab juhtmeta aktiveerimise funktsioon

Juhtmeta aktiveerimise funktsioon võimaldab puhast ja mugavat töötamist. Ühendades toetatud tolmuimeja tööriistaga, saate käivitada tolmuimeja automaatselt koos tööriista lüliti toimimisega.

► Joon.38

Juhtmeta aktiveerimise funktsiooni kasutamiseks valmistage ette alljärgnev:

- juhtmeta seade (valikuline tarvik);
- tolmuimeja, mis toetab juhtmeta aktiveerimise funktsiooni.

Alljärgnevalt on toodud juhtmeta aktiveerimise funktsiooni seadistamise ülevaade. Üksikasjalikuma teabe saamiseks vaadake konkreetseid jaotisi.

1. Juhtmeta seadme paigaldamine
2. Tööriista registreerimine tolmuimeja jaoks
3. Juhtmeta aktiveerimise funktsiooni käivitamine

Juhtmeta seadme paigaldamine

Valikuline tarvik

⚠️ETTEVAATUST: Juhtmeta seadme paigaldamisel asetage tööriist tasasele ja kindlale pinnale.

TÄHELEPANU: Enne juhtmeta seadme paigaldamist puhastage tööriist tolmust ja mustusest. Kui tolmu ja mustus satuvad juhtmeta seadme pessa, siis võib esineda talitushäireid.

TÄHELEPANU: Staatika põhjustatud talitushäirete vältimiseks puudutage enne juhtmeta seadme ülestõstmist staatikat eemaldavat materjali, näiteks tööriista metallist osa.

TÄHELEPANU: Juhtmeta seadme paigaldamisel veenduge alati, et juhtmeta seade oleks sisestatud õiges suunas ja kaas oleks korralikult suletud.

1. Avage tööriista kaas joonisel näidatud viisil.

► **Joon.39:** 1. Kaas

2. Sisestage juhtmeta seade pesasse ja sulgege kaas.

Juhtmeta seadme sisestamisel joondage väljaulatuvad osad pesa süvendatud osadega.

► **Joon.40:** 1. Juhtmeta seade 2. Väljaulatuv osa 3. Kaas 4. Süvendatud osa

Juhtmeta seadme eemaldamisel avage kaas aeglaselt. Kaane tagaküljel asuvad konksud tõstavad juhtmeta seadme koos kaanega välja.

► **Joon.41:** 1. Juhtmeta seade 2. Konks 3. Kaas

Pärast eemaldamist hoidke juhtmeta seadet komplekti kuuluvas korbis või staatikavabas konteineris.

TÄHELEPANU: Juhtmeta seadme eemaldamisel kasutage alati kaane tagaküljel asuvaid konkse. Kui konksud ei haaku juhtmeta seadmega, sulgege kaas täielikult ja avage aeglaselt uuesti.

Tööriista registreerimine tolmuimeja jaoks

MÄRKUS: Registreerimiseks on vajalik Makita tolmuimeja, mis toetaks juhtmeta aktiveerimise funktsiooni.

MÄRKUS: Enne tööriista registreerimist tuleb juhtmeta seade tööriista paigaldada.

MÄRKUS: Tööriista registreerimise ajal ärge tõmmake lüliti päästikut ega lülitage tolmuimeja toitelüliti sisse.

MÄRKUS: Vt ka tolmuimeja kasutusjuhendit.

Kui te soovite tolmuimeja koos tööriista lüliti toimimisega aktiveerida, siis peate kõigepealt lõpetama tööriista registreerimise.

1. Paigaldage patareid nii tolmuimejasse kui ka tööriista.
2. Seadke tolmuimeja ooterežiimi lüliti asendisse „AUTO”.
► **Joon.42:** 1. Ooterežiimi lüliti
3. Vajutage tolmuimejal juhtmeta aktiveerimise nuppu ja hoidke seda 3 sekundit all, kuni juhtmeta aktiveerimise tuli hakkab roheliselt vilkuma. Seejärel vajutage samamoodi tööriista juhtmeta aktiveerimise nuppu.
► **Joon.43:** 1. Juhtmeta aktiveerimise nupp 2. Juhtmeta aktiveerimise tuli

Kui tolmuimeja ja tööriist on edukalt seotud, siis juhtmeta aktiveerimise tuled süttivad 2 sekundiks roheliselt ja hakkavad seejärel siniselt vilkuma.

MÄRKUS: Juhtmeta aktiveerimise lambid lõpetavad roheliselt vilkumise 20 sekundi pärast. Vajutage juhtmeta aktiveerimise nuppu tööriistal, kui puhastajal vilgub juhtmeta aktiveerimise tuli. Kui juhtmeta aktiveerimise tuli ei vilgu roheliselt, siis vajutage korra juhtmeta aktiveerimise nuppu ja hoidke seda uuesti all.

MÄRKUS: Sidudes kahte või enamat tööriista ühe tolmuimejaga, lõpetage tööriistade registreerimine ükshaaval.

Juhtmeta aktiveerimise funktsiooni käivitamine

MÄRKUS: Enne juhtmeta aktiveerimist tuleb lõpetada tööriista tolmuimejaga sidumine.

MÄRKUS: Vt ka tolmuimeja kasutusjuhendit.

Pärast tööriista sidumist tolmuimejaga, käivitub tolmuimeja automaatselt tööriista lülite abil.

1. Paigaldage juhtmeta seade tööriista sisse.
2. Ühendage tolmuimeja voolik tööriistaga.
► **Joon.44**
3. Seadke tolmuimeja ooterežiimi lüliti asendisse „AUTO”.
► **Joon.45:** 1. Ooterežiimi lüliti
4. Vajutage korra tööriistal olevat juhtmeta aktiveerimise nuppu. Juhtmeta aktiveerimise tuli vilgub siniselt.
► **Joon.46:** 1. Juhtmeta aktiveerimise nupp 2. Juhtmeta aktiveerimise tuli
5. Lülitage tööriist sisse. Kontrollige, kas tolmuimeja töötab tööriista töötamise ajal.

Tolmuimeja juhtmeta aktiveerimise peatamiseks vajutage tööriista juhtmeta aktiveerimise nuppu.

MÄRKUS: Tööriista juhtmeta aktiveerimise tuli lõpetab siniselt vilkumise, kui 2 tunni jooksul ei tehta ühtegi toimingut. Sellisel juhul seadke tolmuimeja ooterežiimi lüliti asendisse „AUTO” ja vajutage tööriistal uuesti juhtmeta aktiveerimise nuppu.

MÄRKUS: Tolmuimeja alustab/peatub viivitusega. Kui tolmuimeja tuvastab tööriista lüliti toimimise, esineb viivitus.

MÄRKUS: Juhtmeta seadme edastamise kaugus võib olenevalt asukohast ja ümbritsevatest oludest erineda.

MÄRKUS: Kui ühe tolmuimejaga seotakse kaks või enam tööriista, võib tolmuimeja hakata tööle isegi siis, kui te ei lülita tööriista sisse, sest mõni teine kasutaja kasutab juhtmeta aktiveerimise funktsiooni.

Juhtmeta aktiveerimise tule oleku kirjeldus

► **Joon.47:** 1. Juhtmeta aktiveerimise tuli

Juhtmeta aktiveerimise tuli näitab juhtmeta aktiveerimise funktsiooni olekut. Tule oleku tähendust näete allolevast tabelist.

Olek	Juhtmeta aktiveerimise tuli				Kirjeldus
	Värv	<input type="checkbox"/> Põleb	<input type="checkbox"/> Vilgub	Kestus	
Ooteaeg	Sinine	<input checked="" type="checkbox"/>		2 tundi	Tolmuimeja juhtmeta aktiveerimine on saadaval. Tuli lülitub automaatselt välja, kui 2 tunni jooksul ei tehta ühtegi toimingut.
		<input type="checkbox"/>		Kui tööriist on käivitatud.	Tolmuimeja juhtmeta aktiveerimine on saadaval ja tööriist on käivitatud.
Tööriista registreerimine	Roheline	<input checked="" type="checkbox"/>		20 sekundit	Valmis tööriista registreerimiseks. Tolmuimeja poolse registreerimise ootamine.
		<input type="checkbox"/>		2 sekundit	Tööriista registreerimine on lõpetatud. Juhtmeta aktiveerimise tuli hakkab siniselt vilkuma.
Tööriista registreerimise tühistamine	Punane	<input checked="" type="checkbox"/>		20 sekundit	Valmis tööriista registreerimise tühistamiseks. Tolmuimeja poolse tühistamise ootamine.
		<input type="checkbox"/>		2 sekundit	Tööriista registreerimise tühistamine on lõpetatud. Juhtmeta aktiveerimise tuli hakkab siniselt vilkuma.
Muu	Punane	<input type="checkbox"/>		3 sekundit	Juhtmeta seade on ühendatud toitega ja juhtmeta aktiveerimise funktsioon käivitub.
	Väljas	-		-	Tolmuimeja juhtmeta aktiveerimine on peatatud.

Tööriista registreerimise tühistamine tolmuimeja jaoks

Tööriista registreerimise tühistamiseks tolmuimeja jaoks tuleb toimida alljärgnevalt.

- Paigaldage patareid nii tolmuimejasse kui ka tööriista.
- Seadke tolmuimeja ooterežiimi lüliti asendisse „AUTO”.
▶ **Joon.48: 1.** Ooterežiimi lüliti
- Vajutage tolmuimejal juhtmeta aktiveerimise nuppu ja hoidke seda 6 sekundit all. Juhtmeta aktiveerimise tuli vilgub roheliselt ja muutub seejärel punaseks.

Seejärel vajutage samamoodi tööriista juhtmeta aktiveerimise nuppu.

- Joon.49: 1.** Juhtmeta aktiveerimise nupp
- Joon.49: 2.** Juhtmeta aktiveerimise tuli

Kui tolmuimeja ja tööriist on edukalt lahutatud, siis juhtmeta aktiveerimise tuled süttivad 2 sekundiks punaselt ja seejärel hakkavad need siniselt vilkuma.

MÄRKUS: Juhtmeta aktiveerimise lambid lõpetavad punaselt vilkumise 20 sekundi pärast. Vajutage juhtmeta aktiveerimise nuppu tööriistal, kui puhastajal vilgub juhtmeta aktiveerimise tuli. Kui juhtmeta aktiveerimise tuli ei vilgu punaselt, siis vajutage korras juhtmeta aktiveerimise nuppu ja hoidke seda uuesti all.

Juhtmeta aktiveerimise funktsiooni veatsing

Enne remonditöökohta pöördumist kontrollige niidukit ise. Ärge üritage niidukit lahti võtta, kui leiate probleemi, mida kasutusjuhendis ei kirjeldata. Selle asemel pöörduge Makita volitatud teeninduskeskusesse, kus kasutatakse remontimisel alati Makita tagavaraosi.

Tõrge	Võimalik põhjus (riike)	Lahendus
Juhtmeta aktiveerimise tuli ei põle / ei vilgu.	Tööriista sisse ei ole juhtmeta seadet paigaldatud. Juhtmeta seade on tööriista sisse valesti paigaldatud.	Paigaldage juhtmeta seade õigesti.
	Juhtmeta seadme klemm ja/või pesa on määrdunud.	Pühkige juhtmeta seadme klemmiilt ettevaatlikult tolm ja mustus ning puhastage pesa.
	Tööriistal olevat juhtmeta aktiveerimise nuppu ei ole vajutatud.	Vajutage korras tööriistal olevat juhtmeta aktiveerimise nuppu.
	Tolmuimeja ooterežiimi lüliti ei ole seadud asendisse „AUTO”.	Seadke tolmuimeja ooterežiimi lüliti asendisse „AUTO”.
	Puudub toiteallikas	Varustage tööriist ja tolmuimeja toiteallikaga.

Tõrge	Võimalik põhjus (riike)	Lahendus
Tööriista registreerimist / tööriista registreerimise tühistamist ei õnnestud edukalt lõpetada.	Tööriista sisse ei ole juhtmeta seadet paigaldatud. Juhtmeta seade on tööriista sisse valesti paigaldatud.	Paigaldage juhtmeta seade õigesti.
	Juhtmeta seadme klemm ja/või pesa on määrduanud.	Pühkige juhtmeta seadme klemmiit ettevaatlikult tolm ja mustus ning puhastage pesa.
	Tolmuimeja ooterežiimi lüliti ei ole seatud asendisse „AUTO“.	Seadke tolmuimeja ooterežiimi lüliti asendisse „AUTO“.
	Puudub toiteallikas	Varustage tööriist ja tolmuimeja toiteallikaga.
	Vale kasutamine	Vajutage korra juhtmeta aktiveerimise nuppu ja tehke tööriista registreerimise/tühistamise toimingud uuesti.
	Tööriist ja tolmuimeja asuvad teineteisest liiga kaugel (on edastamise ulatusest väljas).	Viige tööriist ja tolmuimeja üksteisele lähemale. Maksimaalne ülekandekaugus on umbes 10 m, kuid see võib olenevalt asjaoludest varieeruda.
	Enne tööriista registreerimise/tühistamise lõpetamist; - tööriista lüliti on sisse lülitatud või; - tolmuimeja toitenupp on sisse lülitatud.	Vajutage korra juhtmeta aktiveerimise nuppu ja tehke tööriista registreerimise/tühistamise toimingud uuesti.
	Tööriista või tolmuimeja sidumistoimingud on lõpetamata.	Tehke samal ajal nii tööriista kui ka tolmuimeja registreerimistoimingud.
	Teiste seadmete tekitatud raadiohääring, mis tekitab väga intensiivseid raadiolaineid.	Hoidke tööriista ja tolmuimejat WiFi-seadmetest ja mikrolaineahjust eemal.
Tolmuimeja ei tööta tööriista lüliti kaudu.	Tööriista sisse ei ole juhtmeta seadet paigaldatud. Juhtmeta seade on tööriista sisse valesti paigaldatud.	Paigaldage juhtmeta seade õigesti.
	Juhtmeta seadme klemm ja/või pesa on määrduanud.	Pühkige juhtmeta seadme klemmiit ettevaatlikult tolm ja mustus ning puhastage pesa.
	Tööriista olevat juhtmeta aktiveerimise nuppu ei ole vajutatud.	Vajutage korra juhtmeta aktiveerimise nuppu ja veenduge, et juhtmeta aktiveerimise tuli vilguks siniselt.
	Tolmuimeja ooterežiimi lüliti ei ole seatud asendisse „AUTO“.	Seadke tolmuimeja ooterežiimi lüliti asendisse „AUTO“.
	Tolmuimejaga on seotud üle 10 tööriista.	Tehke registreerimistoiming uuesti. Kui tolmuimejaga on seotud üle 10 tööriista, siis kõige esimesena registreeritud tööriista sidumine tühistatakse automaatselt.
	Tolmuimeja kustutas kõik registreeritud tööriistad.	Registreerige tööriist uuesti.
	Puudub toiteallikas	Varustage tööriist ja tolmuimeja toiteallikaga.
	Tööriist ja tolmuimeja asuvad teineteisest liiga kaugel (on edastamise ulatusest väljas).	Viige tööriist ja tolmuimeja üksteisele lähemale. Maksimaalne ülekandekaugus on umbes 10 m, kuid see võib olenevalt asjaoludest varieeruda.
	Teiste seadmete tekitatud raadiohääring, mis tekitab väga intensiivseid raadiolaineid.	Hoidke tööriista ja tolmuimejat WiFi-seadmetest ja mikrolaineahjust eemal.
Tolmuimeja töötab, kui tööriist ei tööta.	Teised kasutajad kasutavad oma tööriistaga tolmuimeja juhtmeta aktiveerimist.	Lülitage teiste tööriistade juhtmeta aktiveerimise nupp välja või tühistage teiste tööriistade registreerimine.

HOOLDUS

⚠ETTEVAATUST: Enne kontroll- või hooldustoimingute tegemist kandke alati hoolt selle eest, et tööriist oleks välja lülitatud ja akukassett korpuse küljest eemaldatud.

TÄHELEPANU: Ärge kunagi kasutage bensiini, vedeldit, alkoholi ega midagi muud sarnast. Selle tulemuseks võib olla luitumine, deformatsioon või pragunemine.

Toote OHUTUSE ja TÕÕKINDLUSE tagamiseks tuleb vajalikud remonttööd ning muud hooldus- ja reguleerimistööd lasta teha Makita volitatud teeninduskeskustes või tehase teeninduskeskustes. Alati tuleb kasutada Makita varuosi.

Ventilatsiooniava puhastamine

Tööriista ja selle ventilatsiooniavad peavad olema puhtad. Puhastage tööriista ventilatsiooniavasid regulaarselt või siis, kui need hakkavad ummistuma.

► **Joon.50:** 1. Väljalaskeava 2. Sisselaskeava

Eemaldage ventilatsiooniavalt tolmukate ja puhastage

seda, et tagada sujuv õhuringlus.

► **Joon.51:** 1. Tolmukate

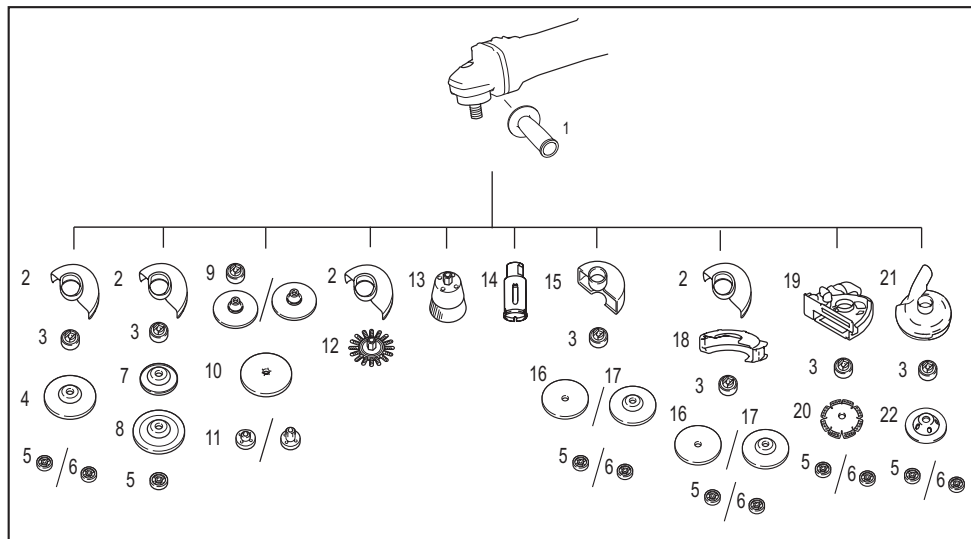
TÄHELEPANU: Puhastage tolmukatet, kui see on tolmuga või võõrkehadega ummistunud. Töö jätkamine ummistunud tolmukattega võib tööriista kahjustada.

KASUTUSALADE JA TARVIKUTE KOMBINEERIMINE

Valikuline tarvik

⚠ETTEVAATUST: Valede kaitsmetega tööriista kasutamine võib põhjustada järgmisi riske.

- Lõikekatta kaitsme kasutamisel esipinna lihvimiseks võib kettakaitsse töödeldava detailiga kokku puutuda ja juhitavust halvendada.
- Lihvkatta kaitsme kasutamisel lõikamiseks koos liimitud abrasiivketaste ja teemantketastega on suur oht pöörlevate ketaste, tekkivate sädemete ja osakeste, samuti ketta purunemisel kettatükkidega kokku puutuda.
- Lõikekatta kaitsme või lihvkatta kaitsme kasutamisel esipinna töötlemiseks kausikujuliste teemantketastega võib kettakaitsse töödeldava detailiga kokku puutuda ja juhitavust halvendada.
- Lõikekatta kaitsme või lihvkatta kaitsme kasutamisel kettakujulise traatharjaga, mille paksus on suurem kui jaotises „TEHNILISED ANDMED“ toodud maksimaalne paksus, võivad traadid vastu kaitset minna ning traatide purunemise põhjustada.
- Tolmukoguriga kettakaitsmete kasutamine betooni või müüritise lõikamiseks ja esipinna töötlemiseks vähendab tolmuga kokkupuutumise ohtu.
- Kaheotstarbeliste (lihv- ja abrasiivlõikefunktsioon) äärikinnitusega ketaste kasutamisel kasutage ainult lõikekatta kaitset.



-	Kasutamine	100 mm mudel	115 mm mudel	125 mm mudel
1	-	Külgkäepide		
2	-	Kettakaitsse (lihvketas)		
3	-	Siseäärik	Sisemine äärik / superäärik *1*2	
4	Käimine/lihvimine	Nõgusa keskosaga ketas / lamellketas		
5	-	Fiksaatormutter		
6	-	-	Ezynut *1*3	

-	Kasutamine	100 mm mudel	115 mm mudel	125 mm mudel
7	-	Tugipadi		
8	Lihvimine	Painduv ketas		
9	-	Siseäärik ja kummist tugiketas 76	Kummist tugiketas nr 100	Kummist tugiketas nr 115
10	Lihvimine	Lihvketas		
11	-	Lihvimise fiksaatormutter		
12	Traatharjagatöötlemine	Ketastraathari		
13	Traatharjagatöötlemine	Kausshari Terasharjad		
14	Avade lõikamine	Avalõikur		
15	-	Kettakaitse (lõikekettale)		
16	Lõikamine	Lihv-/teemantketas		
17	Lihvimine/lõikamine	Kaheotstarbeline ketas		
18	-	Klamberkinnitusega lõikekettakaitse *4		
19	-	Tolmukoguriga kettakaitse lõikamiseks *5		
20	Lõikamine	Teemantketas		
21	-	-	Tolmukoguriga kettakaitse lihvimiseks *6	
22	Lihvimine	-	Kausikujuline teemantketas *6	
-	-	Fiksaatornutri võti		

MÄRKUS: *1 Ärge kasutage korraga Super-äärikut ja Ezynuti.

MÄRKUS: *2 Ärge kinnitage superäärikut pidurifunktsiooniga lihvijaga.

MÄRKUS: *3 Ainult tööriistadele, millel on võlli keere M14.

MÄRKUS: *4 Klamberkinnitusega lõikeketta kaitse ei ole mõnes riigis saadaval. Täpsemat teavet lugege klamberkinnitusega lõikeketta kaitsme kasutusjuhendist.

MÄRKUS: *5 Täpsemat teavet leiate kaitsme kasutusjuhendist.

MÄRKUS: *6 Ainult mudelil GA028G / GA029G / GA031G / GA032G

Täpsemat teavet leiate kaitsme kasutusjuhendist.

VALIKULISED TARVIKUD

⚠ETTEVAATUST: Neid tarvikuid ja lisaseadiseid on soovitatav kasutada koos Makita tööriistaga, mille kasutamist selles kasutusjuhendis kirjeldatakse. Muude tarvikute ja lisaseadiste kasutamisega kaasneb vigastada saamise oht. Kasutage tarvikuid ja lisaseadiseid ainult otstarbekohaselt.

Saate vajaduse korral kohalikust Makita teeninduskeskusest lisateavet nende tarvikute kohta.

- Makita algupärane aku ja laadija
- Jaotises „KASUTUSALADE JA TARVIKUTE KOMBINEERIMINE“ loetletud tarvikud
- Juhtmeta seade (juhtmeta aktiveerimise funktsiooniga mudelitel)

MÄRKUS: Mõned nimekirjas loetletud tarvikud võivad kuuluda standardvarustusse ning need on lisatud tööriista pakendisse. Need võivad riigiti erineda.

ТЕХНИЧЕСКИЕ ХАРАКТЕРИСТИКИ

Модель:		GA027G	GA028G	GA029G	GA030G	GA031G	GA032G
Подходящий шлифовальный диск	Макс. диаметр диска	100 мм	115 мм	125 мм	100 мм	115 мм	125 мм
	Макс. толщина диска	6,4 мм	7,2 мм		6,4 мм	7,2 мм	
Подходящий отрезной диск	Макс. диаметр диска	105 мм	115 мм	125 мм	105 мм	115 мм	125 мм
	Макс. толщина диска	3,2 мм					
Подходящая дисковая проволочная щетка	Макс. диаметр диска	100 мм	115 мм	125 мм	100 мм	115 мм	125 мм
	Макс. толщина диска	20 мм					
Резьба шпинделя		M10	M14 или 5/8дюйма (в зависимости от страны)		M10	M14 или 5/8 дюйма (в зависимости от страны)	
Макс. длина шпинделя		18 мм	23 мм		18 мм	23 мм	
Частота вращения без нагрузки (n_0) / Номинальная частота вращения (n)		9 000 мин ⁻¹					
Общая длина	с BL4025	413 мм					
	с BL4040	425 мм					
Масса нетто		2,8–5,2 кг	3,0–5,4 кг		2,8–5,2 кг	2,9–5,3 кг	
Номинальное напряжение		36–40 В пост. тока макс.					

- Благодаря нашей постоянно действующей программе исследований и разработок указанные здесь технические характеристики могут быть изменены без предварительного уведомления.
- Технические характеристики могут различаться в зависимости от страны.
- Масса может отличаться в зависимости от насадки(-ок), включая блок аккумулятора. В таблице представлены комбинации с наименьшей и наибольшей массой.

Подходящий блок аккумулятора и зарядное устройство

Блок аккумулятора	BL4020 / BL4025* / BL4040* / BL4040F* / BL4050F* / BL4080F* *: рекомендуемый аккумулятор
Зарядное устройство	DC40RA / DC40RB / DC40RC / DC40WA / BCC01 / BCC02

- В зависимости от региона проживания некоторые блоки аккумуляторов и зарядные устройства, перечисленные выше, могут быть недоступны.

⚠ ОСТОРОЖНО: Используйте только перечисленные выше блоки аккумуляторов и зарядные устройства. Использование других блоков аккумуляторов и зарядных устройств может привести к травме и/или пожару.

Рекомендованный источник электропитания с проводным подключением

Портативный блок питания	PDC01 / PDC1200 / PDC1500
--------------------------	---------------------------

- В некоторых регионах определенные модели перечисленных выше источников электропитания с проводным подключением могут быть недоступны.
- Перед началом использования источника электропитания с проводным подключением изучите инструкцию и предупреждающие надписи на нем.

Символы

Ниже приведены символы, которые могут использоваться для обозначения оборудования. Перед использованием убедитесь в том, что вы понимаете их значение.



Прочитайте руководство по эксплуатации.



Используйте защитные очки.



Во время работы обязательно держите инструмент двумя руками.



Не используйте кожух диска для операций резки.





Только для стран ЕС
В связи с наличием в оборудовании опасных компонентов отходы электрического и электронного оборудования, аккумуляторы и батареи могут оказывать негативное влияние на окружающую среду и здоровье человека.
Не выбрасывайте электрические и электронные устройства или батареи вместе с бытовыми отходами!
В соответствии с директивой ЕС по отходам электрического и электронного оборудования, по аккумуляторам, батареям и отходам аккумуляторов и батарей, а также в соответствии с ее адаптацией к национальному законодательству, отходы электрического оборудования, батареи и аккумуляторы следует хранить отдельно и доставлять на пункт раздельного сбора коммунальных отходов, работающий с соблюдением правил охраны окружающей среды. Это обозначено символом в виде перечеркнутого мусорного контейнера на колесах, нанесенным на оборудование.

Назначение

Инструмент предназначен для шлифовки, зачистки (в том числе проволочной щеткой), вырезания отверстий и резки материалов из металла и камня без использования воды.

Шум

Типичный уровень взвешенного звукового давления (A), измеренный в соответствии с EN62841-2-3:

Модель	Уровень звукового давления (L_{pA}): (дБ (A))	Уровень звуковой мощности (L_{WA}): (дБ (A))	Погрешность (K): (дБ (A))
GA027G	84	92	3
GA028G	84	92	3
GA029G	85	93	3
GA030G	84	92	3
GA031G	84	92	3
GA032G	85	93	3

ПРИМЕЧАНИЕ: Заявленное значение распространения шума измерено в соответствии со стандартной методикой испытаний и может быть использовано для сравнения инструментов.

ПРИМЕЧАНИЕ: Заявленное значение распространения шума можно также использовать для предварительных оценок воздействия.

⚠ ОСТОРОЖНО: Используйте средства защиты слуха.

⚠ ОСТОРОЖНО: Распространение шума во время фактического использования электроинструмента может отличаться от заявленного значения в зависимости от способа применения инструмента и в особенности от типа обрабатываемой детали.

⚠ ОСТОРОЖНО: Обязательно определите меры безопасности для защиты оператора, основанные на оценке воздействия в реальных условиях использования (с учетом всех этапов рабочего цикла, таких как выключение инструмента, работа без нагрузки и включение).

⚠ ОСТОРОЖНО: Шлифование тонколистового металла или других легко поддающихся вибрациям структур с большой площадью поверхности может привести к тому, что суммарный уровень шума будет значительно превышать (до 15 дБ) заявленные значения уровня шума.

Во избежание распространения шума от таких обрабатываемых деталей следует прикреплять к ним тяжелые гибкие звукопоглощающие коврики или аналогичные приспособления.

Повышенный уровень шума следует учитывать как при оценке риска, связанного с воздействием шума, так и при выборе надлежащих средств защиты органов слуха.

Вибрация

Суммарное значение вибрации (сумма векторов по трем осям), определенное в соответствии с EN62841-2-3:

Рабочий режим: шлифование поверхности с использованием обычной боковой ручки

Модель	Распространение вибрации ($a_{h, AG}$): (m/c^2)	Погрешность (K): (m/c^2)
GA027G	4,5	1,5
GA028G	5,0	1,5
GA029G	6,0	1,5
GA030G	4,5	1,5
GA031G	5,0	1,5
GA032G	6,0	1,5

Рабочий режим: шлифование поверхности с использованием антивибрационной боковой ручки

Модель	Распространение вибрации ($a_{h, AG}$): (m/c^2)	Погрешность (K): (m/c^2)
GA027G	4,5	1,5
GA028G	5,0	1,5
GA029G	6,5	1,5
GA030G	4,5	1,5
GA031G	5,0	1,5
GA032G	6,5	1,5

Рабочий режим: шлифование с использованием обычной боковой ручки

Модель	Распространение вибрации ($a_{h, DS}$): (m/c^2)	Погрешность (K): (m/c^2)
GA027G	2,5 m/c^2 или менее	1,5
GA028G	2,5	1,5
GA029G	3,0	1,5
GA030G	2,5 m/c^2 или менее	1,5
GA031G	2,5	1,5
GA032G	3,0	1,5

Рабочий режим: шлифование с использованием антивибрационной боковой ручки

Модель	Распространение вибрации ($a_{h, DS}$): (m/c^2)	Погрешность (K): (m/c^2)
GA027G	2,5 m/c^2 или менее	1,5
GA028G	2,5	1,5
GA029G	3,0	1,5
GA030G	2,5 m/c^2 или менее	1,5
GA031G	2,5	1,5
GA032G	3,0	1,5

ПРИМЕЧАНИЕ: Заявленное общее значение распространения вибрации измерено в соответствии со стандартной методикой испытаний и может быть использовано для сравнения инструментов.

ПРИМЕЧАНИЕ: Заявленное общее значение распространения вибрации можно также использовать для предварительных оценок воздействия.

⚠ ОСТОРОЖНО: Распространение вибрации во время фактического использования электроинструмента может отличаться от заявленного значения в зависимости от способа применения инструмента и в особенности от типа обрабатываемой детали.

⚠ ОСТОРОЖНО: Обязательно определите меры безопасности для защиты оператора, основанные на оценке воздействия в реальных условиях использования (с учетом всех этапов рабочего цикла, таких как выключение инструмента, работа без нагрузки и включение).

⚠ ОСТОРОЖНО: Заявленное значение распространения вибрации относится к основным операциям, выполняемым с помощью электроинструмента. Однако если электроинструмент используется для других целей, уровень вибрации может отличаться.

Декларации о соответствии

Только для европейских стран

Декларации о соответствии включены в Приложение А к настоящему руководству по эксплуатации.

МЕРЫ БЕЗОПАСНОСТИ

Общие рекомендации по технике безопасности для электроинструментов

▲ОСТОРОЖНО Ознакомьтесь со всеми инструкциями по технике безопасности, указаниями, иллюстрациями и техническими характеристиками, прилагаемыми к данному электроинструменту. Несоблюдение всех приведенных далее инструкций может привести к поражению электрическим током, возгоранию и/или тяжелым травмам.

Сохраните брошюру с инструкциями и рекомендациями для дальнейшего использования.

Термин "электроинструмент" в предупреждениях относится ко всему инструменту, работающему от сети (с проводом) или на аккумуляторах (без провода).

Правила техники безопасности при эксплуатации аккумуляторной шлифовальной машины

Общие предупреждения о правилах техники безопасности при выполнении шлифования абразивным диском, абразивной бумагой, проволочной щеткой или операций резки:

1. Данный электроинструмент предназначен для шлифования абразивным диском, абразивной бумагой, проволочной щеткой, вырезания отверстий или операций резки. Ознакомьтесь со всеми инструкциями по технике безопасности, указаниями, иллюстрациями и техническими характеристиками, прилагаемыми к данному электроинструменту. Несоблюдение всех приведенных далее инструкций может привести к поражению электрическим током, возгоранию и/или тяжелым травмам.
2. Данный электроинструмент не предназначен для выполнения таких операций, как полировка. Использование электроинструмента не по назначению может привести к опасной ситуации и причинить травму.
3. Не перепрофилируйте данный электроинструмент в целях выполнения операций, для которых он не предназначен и которые не предусмотрены его производителем. Такое перепрофилирование может привести к потере контроля с причинением тяжелой травмы.

4. Не используйте насадки других производителей, не предназначенные для данного инструмента и не указанные его производителем. Даже если такую насадку удастся закрепить на электроинструменте, это не обеспечит безопасность его эксплуатации.
5. Номинальная скорость насадки должна быть как минимум равна максимальной скорости, обозначенной на электроинструменте. При вращении насадки со скоростью выше номинальной она может разломиться на части.
6. Внешний диаметр и толщина насадки должны соответствовать номинальной мощности электроинструмента. Неверно подобранные по размеру насадки не гарантируют безопасности и точности управления.
7. Размеры крепления насадки должны соответствовать размерам крепежного приспособления электроинструмента. Установка насадок, не соответствующих крепежному приспособлению электроинструмента, приведет к разбалансировке, чрезмерной вибрации и возможной потере контроля.
8. Не используйте поврежденные насадки. Перед каждым использованием насадок типа абразивных дисков проверяйте их на наличие сколов и трещин, проверяйте подшвы на наличие трещин, задигов или чрезмерного износа, а проволочные щетки – на наличие выпавших или сломанных кусков проволоки. В случае падения электроинструмента или насадки убедитесь в отсутствии на них повреждений или установите неповрежденную насадку. После осмотра и установки насадки включите электроинструмент на максимальной скорости без нагрузки на одну минуту; при этом следите, чтобы вы сами и окружающие находились на безопасном расстоянии от плоскости вращения принадлежности. Поврежденная насадка обычно ломается в течение такого пробного периода.
9. Используйте индивидуальные средства защиты. В зависимости от выполняемых операций используйте защитную маску или защитные очки. При необходимости надевайте респиратор, средство защиты органов слуха, перчатки и рабочий фартук для защиты от мелких частиц абразивных материалов или обрабатываемой детали. Средства защиты органов зрения должны предохранять от летящих фрагментов, образующихся при использовании инструмента в различных целях. Пылезащитная маска или респиратор должны обеспечивать фильтрацию частиц, образующихся при использовании инструмента в конкретных целях. Продолжительное воздействие сильного шума может вызвать потерю слуха.
10. Посторонние лица должны находиться на безопасном расстоянии от рабочей зоны. Любой приближающийся к рабочему месту человек должен предварительно надеть индивидуальные средства защиты. Фрагменты обрабатываемой детали или

словавшейся насадки могут разлететься и причинить травму даже на значительном удалении от рабочего места.

11. **Если при выполнении работ возможен контакт режущего инструмента со скрытой электропроводкой, держите электроинструмент только за специальные изолированные поверхности.** В случае контакта с находящимся под напряжением проводом напряжение передается на металлические детали электроинструмента, что может привести к поражению оператора электрическим током.
12. **Ни в коем случае не кладите электроинструмент под полной остановки насадки.** Вращающаяся насадка может коснуться поверхности и вывести электроинструмент из-под контроля.
13. **Не включайте электроинструмент во время переноски.** Случайный контакт с вращающейся насадкой может привести к заземлению одежды и притягиванию насадки к телу.
14. **Регулярно прочищайте вентиляционные отверстия электроинструмента.** Вентилятор электродвигателя засасывает пыль внутрь корпуса, а значительные скопления металлической пыли могут привести к поражению электрическим током.
15. **Не используйте электроинструмент вблизи легковоспламеняющихся материалов.** Эти материалы могут воспламениться от искр.
16. **Не используйте насадки, требующие жидкостного охлаждения.** Использование воды или других охлаждающих жидкостей может привести к поражению электрическим током, в том числе смертельному.

Отдача и соответствующие предупреждения:

Отдача – это мгновенная реакция на неожиданное застопоривание вращающегося диска, подошвы, щетки или другой принадлежности. Зажимание или застопоривание вызывает резкий останов вращающейся принадлежности, что, в свою очередь, приводит к неконтролируемому рывку электроинструмента в направлении, противоположном вращению принадлежности в момент застревания. Например, если абразивный диск зажимается или прихватывается деталью, то край диска, находящийся в точке заклинивания, может углубиться в поверхность детали, что приведет к выкачиванию или выскакиванию диска. Диск может совершить рывок в направлении оператора или обратно, в зависимости от направления движения диска в точке заклинивания. Также в этих условиях абразивные диски могут разламываться.

Отдача – это результат неправильного использования электроинструмента и/или неправильных методов или условий работ, чего можно избежать, соблюдая нижеуказанные меры предосторожности.

1. **Крепко держите электроинструмент обеими руками и располагайте свое тело и руки так, чтобы можно было сопротивляться силам отдачи. Обязательно пользуйтесь вспомогательной ручкой (при наличии), чтобы обеспечить максимальный контроль над отдачей или крутящим моментом во время пуска.** Оператор способен справиться с крутящим моментом и силами отдачи при

условии соблюдения соответствующих мер безопасности.

2. **Ни в коем случае не располагайте руки вблизи вращающейся насадки.** При отдаче насадка может задеть руки.
3. **Не становитесь на возможной траектории движения электроинструмента в случае отдачи.** При отдаче инструмент сместится в направлении, противоположном вращению диска в момент застревания.
4. **Соблюдайте особую осторожность при обработке углов, острых краев и т. п. Не допускайте подпрыгивания и защемления насадки.** Углы, острые края и подпрыгивание способствуют защемлению вращающейся насадки, которое приводит к выходу из-под контроля или отдаче.
5. **Не устанавливайте на инструмент пильную цепь, принадлежность для резьбы по дереву, сегментированный алмазный диск с периферийным зазором более 10 мм или пильный диск.** Такие диски часто дают отдачу и приводят к потере контроля.

Специальные предупреждения о безопасности для операций шлифования и резки:

1. **Используйте диски только указанных для вашего электроинструмента типов и специальные защитные приспособления, предназначенные для выбранного диска.** Диски, не предназначенные для данного электроинструмента, не обеспечивают достаточную степень защиты и небезопасны.
2. **Шлифовальная поверхность дисков с утопленным центром должна быть установлена под плоской поверхностью кромки кожуха.** Для неправильно установленного диска, выступающего над плоской поверхностью кромки кожуха, надлежущая защита не гарантируется.
3. **Кожух должен быть надежно закреплен на электроинструменте и расположен для обеспечения максимальной защиты таким образом, чтобы как можно меньше сегмент диска выступал в сторону оператора.** Кожух помогает обезопасить оператора от разлета осколков разрушившегося диска, случайного прикосновения к диску и искр, которые могут воспламенить одежду.
4. **Диски должны использоваться только по указанному назначению.** Например: не шлифуйте краем отрезного диска. Абразивные отрезные диски предназначены для периферийного шлифования; боковые усилия, приложенные к таким дискам, могут вызвать их разрушение.
5. **Используйте только неповрежденные фланцы для дисков соответствующего размера и формы.** Подходящие фланцы поддерживают диск, снижая вероятность его повреждения. Фланцы для отрезных дисков могут отличаться от фланцев для шлифовальных дисков.
6. **Не используйте изношенные диски от более крупных электроинструментов.** Диск, предназначенный для более мощного

электроинструмента, не подходит для высокоскоростного электроинструмента меньшей мощности и может разломиться.

7. **При использовании дисков двойного назначения обязательно используйте кожух, подходящий для выполняемой операции.** Использование неподходящего кожуха не обеспечивает нужного уровня защиты, что может привести к тяжелой травме.

Дополнительные предупреждения о безопасности в отношении операций резки:

1. **Не “заклинивайте” отрезной диск и не прикладывайте к нему чрезмерное давление. Не пытайтесь делать слишком глубокий разрез.** Перенапряжение диска увеличивает нагрузку и вероятность искривления или застревания диска в прорези, а также отдачи или поломки диска.
2. **Не становитесь на возможной траектории движения вращающегося диска и позади него.** Если во время работы диск движется от вас, то при отдаче вращающийся диск и электроинструмент может отбросить прямо на вас.
3. **Если диск застревает или процесс резания прерывается по какой-либо причине, выключите электроинструмент и держите его неподвижно до полной остановки диска. Не пытайтесь извлечь отрезной диск из разреза до полной остановки диска, в противном случае может возникнуть отдача.** Выясните и устраните причину застревания диска.
4. **Не перезапускайте отрезной диск, пока он находится в детали. Дождитесь, пока диск разовьет максимальную скорость, и осторожно погрузите его в разрез.** Если перезапустить электроинструмент непосредственно в обрабатываемой детали, то диск может застрять, а отдача может отбросить его вверх или назад.
5. **Устанавливайте опоры под панели или крупные детали, чтобы минимизировать опасность застревания диска и возникновения отдачи.** Крупные детали обычно прогибаются под собственным весом. Опоры должны помещаться под разрезаемой деталью рядом с линией разреза и рядом с краем детали с обеих сторон от диска.
6. **Будьте особенно осторожны при выполнении “врезки” в имеющихся стенах или на других участках, недоступных для осмотра.** Выступающая часть диска может перерезать газовые или водопроводные трубы, электропроводку или другие предметы, что может вызвать отдачу.
7. **Не пытайтесь делать криволинейные разрезы.** Перенапряжение диска увеличивает нагрузку и вероятность искривления или застревания диска в прорези, а также отдачи или поломки диска, что может причинить тяжелую травму.
8. **Перед использованием сегментированного алмазного диска убедитесь, что периферийный зазор между сегментами алмазного диска не превышает 10 мм, только с**

отрицательным передним углом наклона.

Специальные инструкции по технике безопасности для выполнения шлифовальных операций:

1. **Используйте круглую наждачную бумагу надлежащего размера. При выборе наждачной бумаги следуйте рекомендациям производителя.** При использовании наждачной бумаги большего размера, при котором она слишком сильно выступает за края подложки, существует опасность разрыва бумаги, а также возможность защемления, разрушения круга или отдачи.

Специальные инструкции по технике безопасности в отношении операций очистки проволочной щеткой:

1. **Берегитесь кусков проволоки, разлетающихся от щетки даже в нормальном режиме работы. Не прикладывайте чрезмерное усилие к проволоке, слишком сильно нажимая на щетку.** Куски проволоки могут легко пробить легкую одежду и/или кожу.
2. **Если для очистки проволочными щетками предписано использовать кожух, не допускайте контакта проволочного диска или щетки с кожей.** Проволочный диск или щетка могут увеличиваться в диаметре под воздействием нагрузки и центробежных сил.

Дополнительные правила техники безопасности:

1. **При применении дисков с утопленным центром используйте только диски, армированные стекловолокном.**
2. **ЗАПРЕЩАЕТСЯ ИСПОЛЬЗОВАТЬ с этим инструментом шлифовальные чашки для камня.** Данная шлифмашина не предназначена для дисков такого типа, их использование может привести к тяжелой травме.
3. **Будьте осторожны во избежание повреждения шпинделя, фланца (особенно его установочной поверхности) или контргайки.** Повреждения этих деталей могут привести к поломке диска.
4. **Перед включением выключателя убедитесь, что диск не касается детали.**
5. **Перед использованием инструмента на реальной детали дайте ему немного поработать вхолостую.** Следите за вибрацией или биением, которые могут свидетельствовать о неправильной установке или плохой балансировке диска.
6. **Для выполнения шлифования пользуйтесь соответствующей поверхностью диска.**
7. **Не оставляйте работающий инструмент без присмотра.** Включайте инструмент только тогда, когда он находится в руках.
8. **Сразу после окончания работ не прикасайтесь к обработанной детали.** Она может быть очень горячей, что приведет к ожогам кожи.
9. **Сразу после окончания работ не прикасайтесь к вспомогательным деталям.** Они могут быть очень горячими, что приведет к ожогам кожи.
10. **Соблюдайте инструкции изготовителя по правильной установке и использованию**

дисков и принадлежностей. Неправильная установка и использование может привести к травме.

11. Бережно обращайтесь с дисками и аккуратно храните их.
12. Не пользуйтесь отдельными переходными втулками или адаптерами для крепления абразивных дисков с большими отверстиями.
13. Пользуйтесь только фланцами, предназначенными для данного инструмента.
14. Для инструментов, предназначенных для использования дисков с резьбовым отверстием, убедитесь, что резьба диска достаточна, чтобы диск можно было полностью завернуть на шпindel.
15. Убедитесь, что обрабатываемая деталь имеет надлежащую опору.
16. Обратите внимание на то, что диск будет некоторое время вращаться после выключения инструмента.
17. Если в месте выполнения работ очень высокая температура и влажность или наблюдается большое количество токопроводящей пыли, используйте прерыватель цепи (30 мА) для обеспечения безопасности работ.
18. Не используйте инструмент на любых материалах, содержащих асбест.
19. При использовании отрезного диска обязательно работайте с защитным кожухом с пылеотводом, если его установка необходима в соответствии с местными нормативными требованиями.
20. Не подвергайте отрезные круги какому-либо боковому давлению.
21. Не пользуйтесь тканевыми перчатками во время работы. Волокна от тканевых перчаток могут попасть в инструмент и привести к его поломке.
22. Перед началом работы убедитесь в том, что под поверхностью обрабатываемой детали не проходят линии электроснабжения, водопроводы или газопроводы. Несоблюдение данного требования может привести к поражению электрическим током, утечке электрического тока или газа.
23. Если к диску прикреплена прокладка, не снимайте ее. Диаметр прокладки должен превышать размеры контргайки, наружного фланца и внутреннего фланца.
24. Перед установкой шлифовального диска обязательно проверяйте, чтобы прокладка не имела никаких дефектов, в частности отколотых частей или трещин.
25. Затягивайте контргайку с надлежащим усилием. В случае перетягивания диска возможна его поломка, а недостаточное затягивание может привести к возникновению вибраций.

СОХРАНИТЕ ДАННЫЕ ИНСТРУКЦИИ.

▲ОСТОРОЖНО: НЕ ДОПУСКАЙТЕ, чтобы удобство или опыт эксплуатации данного устройства (полученный от многократного использования) доминировали над строгим соблюдением правил техники безопасности при обращении с этим устройством. **НЕПРАВИЛЬНОЕ ИСПОЛЬЗОВАНИЕ** инструмента или несоблюдение правил техники безопасности, указанных в данном руководстве, может привести к тяжелой травме.

Важные правила техники безопасности для работы с аккумуляторным блоком

1. Перед использованием аккумуляторного блока прочитайте все инструкции и предупредительные надписи на (1) зарядном устройстве, (2) аккумуляторном блоке и (3) инструменте, работающем от аккумуляторного блока.
 2. Не разбирайте блок аккумулятора и не меняйте его конструкцию. Это может привести к пожару, перегреву или взрыву.
 3. Если время работы аккумуляторного блока значительно сократилось, немедленно прекратите работу. В противном случае, может возникнуть перегрев блока, что приведет к ожогам и даже к взрыву.
 4. В случае попадания электролита в глаза промойте их обильным количеством чистой воды и немедленно обратитесь к врачу. Это может привести к потере зрения.
 5. Не замыкайте контакты аккумуляторного блока между собой:
 - (1) Не прикасайтесь к контактам какими-либо токопроводящими предметами.
 - (2) Не храните аккумуляторный блок в контейнере вместе с другими металлическими предметами, такими как гвозди, монеты и т. п.
 - (3) Не допускайте попадания на аккумуляторный блок воды или дождя.
- Замыкание контактов аккумуляторного блока между собой может привести к возникновению большого тока, перегреву, возможным ожогам и даже поломке блока.
6. Не храните и не используйте инструмент и аккумуляторный блок в местах, где температура может достигать или превышать 50 °C (122 °F).
 7. Не бросайте аккумуляторный блок в огонь, даже если он сильно поврежден или полностью вышел из строя. Аккумуляторный блок может взорваться под действием огня.
 8. Запрещено вбивать гвозди в блок аккумулятора, резать, ломать, бросать, ронять блок аккумулятора или ударять его твердым предметом. Это может привести к пожару, перегреву или взрыву.
 9. Не используйте поврежденный аккумуляторный блок.

10. **Входящие в комплект литий-ионные аккумуляторы должны эксплуатироваться в соответствии с требованиями законодательства об опасных товарах.**

При коммерческой транспортировке, например, третьей стороной или экспедитором, необходимо нанести на упаковку специальные предупреждения и маркировку.

В процессе подготовки устройства к отправке обязательно проконсультируйтесь со специалистом по опасным материалам. Также соблюдайте местные требования и нормы. Они могут быть строже.

Закройте или закрепите разомкнутые контакты и упакуйте аккумулятор так, чтобы он не перемещался по упаковке.

11. **Для утилизации блока аккумулятора извлеките его из инструмента и утилизируйте безопасным способом. Выполняйте требования местного законодательства по утилизации аккумуляторного блока.**
12. **Используйте аккумуляторы только с продукцией, указанной Makita.** Установка аккумуляторов на продукцию, не соответствующую требованиям, может привести к пожару, перегреву, взрыву или утечке электролита.
13. **Если инструментом не будут пользоваться в течение длительного периода времени, извлеките аккумулятор из инструмента.**
14. **Во время и после использования блок аккумулятора может нагреваться, что может стать причиной ожогов или низкотемпературных ожогов. Будьте осторожны при обращении с горячим блоком аккумулятора.**
15. **Не прикасайтесь к контактам инструмента сразу после использования, поскольку они могут быть достаточно горячими, чтобы вызвать ожоги.**
16. **Не допускайте налипания на контакты, отверстия и пазы блока аккумулятора опилок, пыли или земли.** Это может стать причиной перегрева, возгорания, взрыва или неисправности инструмента или блока аккумулятора, что может привести к ожогам или травмам.
17. **Если инструмент не рассчитан на использование вблизи высоковольтных линий электропередач, не используйте блок аккумулятора вблизи высоковольтных линий электропередач.** Это может привести к неисправности, поломке инструмента или блока аккумулятора.
18. **Храните аккумулятор в недоступном для детей месте.**

СОХРАНИТЕ ДАННЫЕ ИНСТРУКЦИИ.

▲ВНИМАНИЕ: Используйте только фирменные аккумуляторные батареи Makita. Использование аккумуляторных батарей, не произведенных Makita, или батарей, которые были подвергнуты модификациям, может привести к взрыву аккумулятора, пожару, травмам и повреждению имущества. Это также автоматически аннулирует гарантию Makita на инструмент и зарядное устройство Makita.

Советы по обеспечению максимального срока службы аккумулятора

1. Заряжайте блок аккумуляторов перед его полной разрядкой. Обязательно прекратите работу с инструментом и зарядите блок аккумуляторов, если вы заметили снижение мощности инструмента.
2. Никогда не подзаряжайте полностью заряженный блок аккумуляторов. Перезарядка сокращает срок службы аккумулятора.
3. Заряжайте блок аккумуляторов при комнатной температуре в 10 - 40 °C (50 - 104 °F). Перед зарядкой горячего блока аккумуляторов дайте ему остыть.
4. Если блок аккумулятора не используется, извлеките его из инструмента или зарядного устройства.
5. Зарядите ионно-литиевый аккумуляторный блок, если вы не будете пользоваться инструментом длительное время (более шести месяцев).

Важные правила техники безопасности для работы с беспроводным блоком

1. Не разбирайте и не меняйте конструкцию беспроводного блока.
2. Храните беспроводной блок в недоступном для детей месте. При случайном проглатывании немедленно обратитесь к врачу.
3. Используйте беспроводной блок только с инструментами Makita.
4. Не подвергайте беспроводной блок воздействию дождя или влаги.
5. Не используйте беспроводной блок в тех местах, где температура превышает 50 °C.
6. Не используйте беспроводной блок в тех местах, где поблизости могут находиться медицинские инструменты, например, кардиостимуляторы.
7. Не используйте беспроводной блок в тех местах, где могут находиться автоматизированные устройства. При использовании автоматизированных устройств могут возникнуть сбои или ошибки.
8. Не используйте беспроводной блок в местах, где он может подвергаться воздействию высокой температуры, статического электричества или электрических помех.
9. Беспроводной блок может создавать

- электромагнитные поля (EMF), которые не представляют опасности для пользователя.
- Беспроводной блок является точным инструментом. Не роняйте и не ударяйте беспроводной блок.
 - Не прикасайтесь к клемме беспроводного блока голыми руками или металлическими предметами.
 - Во время установки беспроводного блока обязательно вытащите аккумулятор из устройства.
 - Не открывайте крышку гнезда в таких местах, где в него может попасть пыль и вода. Входное отверстие гнезда всегда должно быть чистым.
 - Обязательно вставляйте беспроводной блок в правильном направлении.
 - Не нажимайте слишком сильно кнопку активации на беспроводном блоке и/или не нажимайте кнопку, используя объекты с острым краем.
 - Во время работы обязательно закрывайте крышку гнезда.
 - Не вытаскивайте беспроводной блок из гнезда, если на инструмент подано питание. Это может привести к неисправной работе беспроводного блока.
 - Не снимайте наклейку с беспроводного блока.
 - Не приклеивайте к беспроводному блоку никаких наклеек.
 - Не оставляйте беспроводной блок в таких местах, где может скапливаться статическое электричество или присутствовать электрические помехи.
 - Не оставляйте беспроводной блок в местах с высокой температурой, например на сиденье автомобиля в жару.
 - Не оставляйте беспроводной блок в местах, где присутствует пыль или порошок, или может образоваться коррозионный газ.
 - Внезапное изменение температуры может привести к образованию конденсата на беспроводном блоке. Не используйте беспроводной блок до тех пор, пока конденсат полностью не высохнет.
 - При чистке беспроводного блока аккуратно протрите его сухой мягкой тканью. Не используйте бензин, разбавитель, проводящую смазку или аналогичные материалы.
 - При хранении беспроводного блока поместите его в поставляемый футляр или в контейнер без статического электричества.
 - Не вставляйте в гнездо на инструменте никаких других устройств, кроме беспроводного блока Makita.
 - Не используйте инструмент с поврежденной крышкой гнезда. В гнездо может попасть вода, пыль и грязь, это может привести к неисправности.
 - Не тяните и/или не скручивайте крышку гнезда сильнее, чем это необходимо. Если крышка отсоединилась от инструмента, установите ее на место.

- Замените крышку гнезда, если она утеряна или повреждена.

СОХРАНИТЕ ДАННЫЕ ИНСТРУКЦИИ.

ОПИСАНИЕ РАБОТЫ

ВНИМАНИЕ: Перед регулировкой или проверкой функций инструмента обязательно убедитесь, что он выключен и его аккумуляторный блок снят.

Установка или снятие блока аккумуляторов

ВНИМАНИЕ: Обязательно выключайте инструмент перед установкой и извлечением аккумуляторного блока.

ВНИМАНИЕ: При установке и извлечении аккумуляторного блока крепко удерживайте инструмент и аккумуляторный блок. Если не соблюдать это требование, они могут выскользнуть из рук, что приведет к повреждению инструмента, аккумуляторного блока и травмированию оператора.

Для установки блока аккумулятора совместите выступ блока аккумулятора с пазом в корпусе и задвиньте его на место. Устанавливайте блок до упора, чтобы он зафиксировался с небольшим щелчком. Если вы видите красный индикатор, как показано на рисунке, он не зафиксирован полностью.

Для снятия аккумуляторного блока нажмите кнопку на лицевой стороне и извлеките блок.

► **Рис.1:** 1. Красный индикатор 2. Кнопка 3. Блок аккумулятора

ВНИМАНИЕ: Обязательно устанавливайте блок аккумулятора до конца, чтобы красный индикатор не был виден. В противном случае блок аккумулятора может выпасть из инструмента и нанести травму вам или другим людям.

ВНИМАНИЕ: Не прилагайте чрезмерных усилий при установке аккумуляторного блока. Если блок не двигается свободно, значит он вставлен неправильно.

Индикация оставшегося заряда аккумулятора

Нажмите кнопку проверки на аккумуляторном блоке для проверки заряда. Индикаторы загорятся на несколько секунд.

► **Рис.2:** 1. Индикаторы 2. Кнопка проверки

Индикаторы			Уровень заряда
Горит	Выкл.	Мигает	
■	□	▧	от 75 до 100%
■ ■ ■ ■			от 50 до 75%
■ ■ □ □			от 25 до 50%
■ □ □ □			от 0 до 25%
▧ □ □ □			Зарядите аккумуляторную батарею.
■ ■ □ □ ↑ ↓ □ □ ■ ■			Возможно, аккумуляторная батарея неисправна.

ПРИМЕЧАНИЕ: В зависимости от условий эксплуатации и температуры окружающего воздуха индикация может незначительно отличаться от фактического значения.

ПРИМЕЧАНИЕ: Первая (дальняя левая) индикаторная лампа будет мигать во время работы защитной системы аккумулятора.

Система защиты инструмента/аккумулятора

На инструменте предусмотрена система защиты инструмента/аккумулятора. Она автоматически отключает питание двигателя для продления срока службы инструмента и аккумулятора. Инструмент автоматически остановится во время работы в следующих случаях:

Защита от перегрузки

Если из-за способа эксплуатации инструмент/аккумулятор потребляет очень большое количество тока, он автоматически остановится без включения каких-либо индикаторов. В этом случае выключите инструмент и прекратите работу, повлекшую перегрузку инструмента. Затем включите инструмент для перезапуска.

Защита от перегрева

При перегреве инструмента/аккумулятора инструмент останавливается автоматически. Дайте инструменту остыть перед возобновлением работы.

Защита от переразрядки

При истощении емкости аккумулятора инструмент автоматически останавливается. В этом случае извлеките аккумулятор из инструмента и зарядите его.

Выключение защитной блокировки

Если постоянно срабатывает защитная система, инструмент блокируется.

В этой ситуации инструмент не запустится даже при выключении и повторном включении. Чтобы выключить защитную блокировку, извлеките аккумулятор, установите его в зарядное устройство и дождитесь окончания зарядки.

Защита от других неполадок

Система защиты также обеспечивает защиту от других неполадок, способных повредить инструмент, и обеспечивает автоматическую остановку инструмента. В случае временной остановки или прекращения работы инструмента выполните все перечисленные ниже действия для устранения причины остановки.

1. Убедитесь в том, что (все) переключатель(-и) находи(я)тся в выключенном положении, а затем снова включите инструмент для повторного запуска.
2. Зарядите аккумулятор(-ы) или замените его(их) заряженным(-и).
3. Дайте инструменту и аккумулятору(-ам) остыть.

Если после возврата системы защиты в исходное состояние ситуация не изменится, обратитесь в сервисный центр Makita.

Фиксатор вала

⚠ ОСТОРОЖНО: Ни в коем случае не задевайте фиксатор вала при вращающемся шпинделе. Это может вызвать тяжелую травму или вывести инструмент из строя.

Нажмите на фиксатор вала для предотвращения вращения шпинделя при установке или снятии дополнительных принадлежностей.

► **Рис.3:** 1. Фиксатор вала

Действие выключателя

⚠ВНИМАНИЕ: Перед установкой блока аккумулятора в инструмент обязательно убедиться, что его рычаг переключателя нормально работает и возвращается в положение “OFF” (ВЫКЛ.) при отпускании.

⚠ВНИМАНИЕ: В целях безопасности инструмент оснащен рычагом блокировки в выключенном положении, который предотвращает случайное включение инструмента. **ЗАПРЕЩЕНО** использовать инструмент, если он включается после нажатия рычага переключателя без нажатия рычага разблокировки. **ПРЕКРАТИТЕ** использование инструмента и передайте его в авторизованный сервисный центр для надлежащего ремонта.

⚠ВНИМАНИЕ: Не давите сильно на рычаг переключателя, не нажав на рычаг разблокировки. Это может привести к поломке переключателя.

⚠ВНИМАНИЕ: **ЗАПРЕЩЕНО** фиксировать рычаг разблокировки при помощи липкой ленты и вносить изменения в его конструкцию.

Для предотвращения случайного нажатия рычага переключателя оборудован рычагом разблокировки. Для включения инструмента потяните рычаг разблокировки на себя и нажмите на рычаг переключателя. Для выключения инструмента отпустите рычаг переключателя.

► **Рис.4:** 1. Рычаг разблокировки 2. Рычаг переключателя

Поворотный регулятор скорости

Скорость вращения инструмента можно настраивать, поворачивая регулятор скорости. В таблице ниже приведены порядковые номера регулировок и соответствующая им скорость вращения.

► **Рис.5:** 1. Поворотный регулятор скорости

Цифра	Скорость
1	3 000 мин ⁻¹
2	4 500 мин ⁻¹
3	6 000 мин ⁻¹
4	7 500 мин ⁻¹
5	9 000 мин ⁻¹

ПРИМЕЧАНИЕ: Если инструментом пользоваться непрерывно на низкой скорости в течение продолжительного времени, двигатель будет перегружен, что приведет к поломке инструмента.

ПРИМЕЧАНИЕ: Диск регулировки скорости можно поворачивать только до цифры 5 и обратно до 1. Не применяйте силу для поворота диска за пределы значений 5 или 1, так как это может привести к отказу функции регулирования скорости.

Функция предотвращения случайного запуска

При установке блока аккумулятора с ползунковым переключателем в положении ВКЛ инструмент не запускается.

Для запуска инструмента переведите переключатель в положение ВЫКЛ и включите его снова.

Функция распознавания активной обратной связи

С помощью электронного устройства инструмент определяет, что существует риск защемления диска или другой принадлежности. При выявлении таких рисков инструмент автоматически отключается для предотвращения дальнейшего вращения шпинделя (это не предотвращает отдачу).

Чтобы перезапустить инструмент, сначала отключите его. Устраните причину внезапного снижения скорости вращения и вновь включите инструмент.

Функция плавного запуска

Функция плавного запуска снижает начальный рывок инструмента.

Электрический тормоз

Только для модели GA027G / GA028G / GA029G

Электрический тормоз активируется после выключения инструмента.

Тормоз не активируется, если питание отключено (например при извлеченном аккумуляторе), а переключатель находится в положении Вкл.

СБОРКА

⚠ВНИМАНИЕ: Перед регулировкой или проверкой функций инструмента обязательно убедитесь, что он выключен и его аккумуляторный блок снят.

Установка боковой ручки (рукоятки)

⚠ВНИМАНИЕ: Перед работой всегда проверяйте надежность крепления боковой ручки.

Прочно закрепите боковую ручку на месте винтом, как показано на рисунке.

► **Рис.6**

Установка или снятие кожуха диска

⚠ОСТОРОЖНО: При использовании диска с утопленным центром, откидного круга, гибкого диска или дисковой проволочной щетки установите защитный кожух так, чтобы закрытая сторона кожуха была направлена к оператору.

⚠ОСТОРОЖНО: Убедитесь в том, что кожух диска надежно зафиксирован стопорным рычагом в одном из отверстий на кожухе диска.

⚠ОСТОРОЖНО: При использовании абразивного отрезного диска/алмазного диска может применяться только специальный защитный кожух, предназначенный для отрезных дисков.

Для диска с утопленным центром, откидного круга, гибкого диска, дисковой проволочной щетки / абразивного отрезного диска, алмазного диска

1. Удерживая нажатым стопорный рычаг, установите кожух диска, совместив выступы на кожухе диска с пазами на корпусе подшипника.

► **Рис.7:** 1. Стопорный рычаг 2. Паз 3. Выступ

2. Удерживая нажатым стопорный рычаг в направлении А, задвиньте кожух диска, удерживая в точках В, как показано на рисунке.

► **Рис.8:** 1. Кожух диска 2. Отверстие

ПРИМЕЧАНИЕ: Надавите на кожух диска в направлении вперед. В противном случае вы не сможете полностью вставить кожух диска.

3. Удерживая стопорный рычаг и кожух диска, как описано на этапе 2, поверните кожух диска в направлении С, после чего измените угол кожуха диска в соответствии с условиями работы, чтобы обеспечить защиту оператора. Совместите стопорный рычаг с одним из отверстий в кожухе диска, после чего отпустите стопорный рычаг, чтобы заблокировать кожух диска.

► **Рис.9:** 1. Кожух диска 2. Отверстие

ПРИМЕЧАНИЕ: Полностью вдавите кожух диска. В противном случае вы не сможете повернуть кожух диска.

Для снятия кожуха диска выполните процедуру установки в обратном порядке.

Пристегивающая насадка на кожух отрезного диска

Дополнительные принадлежности

ПРИМЕЧАНИЕ: Для операций резки кожух диска (для шлифовального диска) может использоваться с пристегивающей насадкой на кожух отрезного диска.

В некоторых странах эта возможность недоступна.

► **Рис.10**

Установка и снятие диска с утопленным центром или откидного круга

Дополнительные принадлежности

⚠ОСТОРОЖНО: При использовании диска с утопленным центром или откидного круга кожух диска должен быть установлен так, чтобы его закрытая сторона была обращена к оператору.

⚠ОСТОРОЖНО: Убедитесь, что крепежный компонент внутреннего фланца идеально совпадает с внутренним диаметром диска с утопленным центром/откидного круга. Установка внутреннего фланца не с той стороны может привести к возникновению опасной вибрации.

Установите на шпиндель внутренний фланец. Убедитесь, что часть с выемкой внутреннего фланца установлена на ровный участок у нижней части шпинделя.

Установите диск с утопленным центром/откидным кругом на внутренний фланец и закрутите контргайку на шпинделе.

► **Рис.11:** 1. Контргайка 2. Диск с утопленным центром 3. Внутренний фланец 4. Крепежный компонент

Для затяжки контргайки сильно надавите на фиксатор вала, чтобы шпиндель не проворачивался, затем воспользуйтесь ключом контргайки и крепко затяните ее по часовой стрелке.

► **Рис.12:** 1. Ключ контргайки 2. Фиксатор вала

Для снятия диска выполните процедуру установки в обратном порядке.

Установка и снятие гибкого диска

Дополнительные принадлежности

⚠ОСТОРОЖНО: При установке на инструмент гибкого диска обязательно используйте прилагаемый кожух. Во время работы диск может разрушиться. Защитный кожух снизит риск получения травмы.

► **Рис.13:** 1. Контргайка 2. Гибкий диск 3. Вспомогательная подушка 4. Внутренний фланец

Следуйте указаниям для диска с утопленным центром, а также установите над диском вспомогательную подушку.

Установка или снятие абразивного круга

Дополнительные принадлежности

ПРИМЕЧАНИЕ: Используйте принадлежности для шлифования, указанные в данном руководстве. Их необходимо приобретать отдельно.

Для модели 100 мм (4 дюйма)

- **Рис.14:** 1. Шлифовальная контргайка
2. Абразивный круг 3. Резиновая подушка 4. Внутренний фланец
1. Установите на шпindelь внутренний фланец.
 2. Установите резиновую подушку на шпindelь.
 3. Установите круг на резиновую подушку и наведите на шпindelь шлифовальную контргайку.
 4. Закрепите шпindelь с помощью фиксатора вала и надежно затяните шлифовальную контргайку по часовой стрелке с помощью ключа.

Для снятия круга выполните процедуру установки в обратном порядке.

Для моделей кроме 100 мм (4 дюйма)

- **Рис.15:** 1. Шлифовальная контргайка
2. Абразивный круг 3. Резиновая подушка
1. Установите резиновую подушку на шпindelь.
 2. Установите круг на резиновую подушку и наведите на шпindelь шлифовальную контргайку.
 3. Закрепите шпindelь с помощью фиксатора вала и надежно затяните шлифовальную контргайку по часовой стрелке с помощью ключа.

Для снятия круга выполните процедуру установки в обратном порядке.

Суперфланец

Дополнительные принадлежности

Суперфланец является специальной принадлежностью для модели, НЕ оснащенной функцией торможения. Модели с буквой F стандартно комплектуются суперфланцем. Для откручивания контргайки достаточно только 1/3 усилия, необходимого для снятия стандартной гайки.

Установка или снятие гайки Ezy nut

Дополнительные принадлежности

Только для инструментов с резьбой шпинделя M14.

▲ВНИМАНИЕ: Не используйте гайку Ezy nut с суперфланцем. Эти фланцы имеют толщину, при которой шпindelь не может быть завернут по всей длине резьбы.

Установите внутренний фланец, абразивный диск и гайку Ezy nut на шпindelь так, чтобы логотип Makita

на гайке Ezy nut был направлен наружу.

- **Рис.16:** 1. Гайка Ezy nut 2. Абразивный диск
3. Внутренний фланец 4. Шпindelь

Сильно надавите на фиксатор вала и затяните гайку Ezy nut, повернув абразивный диск по часовой стрелке до упора.

- **Рис.17:** 1. Фиксатор вала

Чтобы ослабить гайку Ezy nut, поверните ее внешнее кольцо против часовой стрелки.

ПРИМЕЧАНИЕ: Гайку Ezy nut можно ослабить без использования инструментов, если стрелка указывает на паз. В противном случае необходимо воспользоваться ключом для контргаек. Вставьте один зуб ключа в отверстие и поверните гайку Ezy nut против часовой стрелки.

- **Рис.18:** 1. Стрелка 2. Паз

- **Рис.19**

Установка абразивного отрезного/ алмазного диска

Дополнительные принадлежности

▲ОСТОРОЖНО: При использовании абразивного отрезного диска/алмазного диска может применяться только специальный защитный кожух, предназначенный для отрезных дисков.

▲ОСТОРОЖНО: ЗАПРЕЩАЕТСЯ использовать отрезной диск для шлифовки боковой поверхностью.

- **Рис.20:** 1. Контргайка 2. Абразивный отрезной диск/алмазный диск 3. Внутренний фланец 4. Защитный кожух для абразивного отрезного диска/алмазного диска

Сведения по установке см. в инструкциях к диску с утопленным центром.

Направление установки контргайки и внутреннего фланца зависит от типа и толщины диска. Придерживайтесь следующих значений.

Для модели 100 мм (4 дюйма)

При установке абразивного отрезного диска:

- **Рис.21:** 1. Контргайка 2. Абразивный отрезной диск (тоньше 4 мм (5/32 дюйма))
3. Абразивный отрезной диск (4 мм (5/32 дюйма) или толще) 4. Внутренний фланец

При установке алмазного диска:

- **Рис.22:** 1. Контргайка 2. Алмазный диск (тоньше 4 мм (5/32 дюйма)) 3. Алмазный диск (4 мм (5/32 дюйма) или толще)
4. Внутренний фланец

Для моделей кроме 100 мм (4 дюйма)

При установке абразивного отрезного диска:

- **Рис.23:** 1. Контргайка 2. Абразивный отрезной диск (тоньше 4 мм (5/32 дюйма))
3. Абразивный отрезной диск (4 мм

(5/32 дюйма) или толще) 4. Внутренний фланец

При установке алмазного диска:

- **Рис.24:** 1. Контргайка 2. Алмазный диск (тоньше 4 мм (5/32 дюйма)) 3. Алмазный диск (4 мм (5/32 дюйма) или толще) 4. Внутренний фланец

Установка чашечной проволочной щетки

Дополнительные принадлежности

▲ВНИМАНИЕ: Не используйте поврежденную или разбалансированную чашечную проволочную щетку. Использование поврежденной чашечной проволочной щетки может увеличить опасность получения травм от контакта с проволокой.

Положите инструмент в перевернутом положении для облегчения доступа к шпинделю. Снимите со шпинделя все дополнительные принадлежности. Наверните проволочную чашечную щетку на шпиндель и затяните прилагаемым ключом.

- **Рис.25:** 1. Чашечная проволочная щетка

Установка дисковой проволочной щетки

Дополнительные принадлежности

▲ВНИМАНИЕ: Не используйте поврежденную или разбалансированную дисковую проволочную щетку. Использование поврежденной дисковой проволочной щетки может увеличить риск получения травм от контакта с проволокой.

▲ВНИМАНИЕ: При работе с дисковой проволочной щеткой ВСЕГДА используйте защитный кожух, убедившись, что диаметр диска соответствует внутреннему диаметру кожуха. Во время работы диск может разрушиться. Защитный кожух снизит риск получения травмы.

Положите инструмент в перевернутом положении для облегчения доступа к шпинделю. Снимите со шпинделя все дополнительные принадлежности. Установите дисковую проволочную щетку на шпиндель и затяните ее с помощью ключей.

- **Рис.26:** 1. Дисковая проволочная щетка

Установка головки для вырезания отверстий

Дополнительные принадлежности

Положите инструмент в перевернутом положении для облегчения доступа к шпинделю. Снимите все насадки со шпинделя. Наверните на шпиндель головку для вырезания отверстий и затяните ее гаечным ключом из комплекта.

- **Рис.27:** 1. Головка для вырезания отверстий

Установка кожуха шлифовального диска с пылеотводом

Только для модели GA028G / GA029G / GA031G / GA032G

Дополнительные принадлежности

При использовании дополнительных приспособлений данный инструмент можно использовать для шлифовки бетонных поверхностей.

▲ВНИМАНИЕ: Защитный кожух с патрубком для удаления пыли для несоосного алмазного диска предназначен только для шлифовки бетонных поверхностей с помощью несоосного алмазного диска. Запрещено использовать этот кожух с другими приспособлениями для резки или для других целей.

▲ВНИМАНИЕ: Перед эксплуатацией убедитесь, что пылесос подсоединен к инструменту и включен.

Положите инструмент в перевернутом положении и установите кожух диска с пылеотводом. Закрепите внутренний фланец на шпинделе.

Установите алмазный чашеобразный диск на внутренний фланец и затяните контргайку на шпинделе.

- **Рис.28:** 1. Контргайка 2. Алмазный чашеобразный диск 3. Алмазный чашеобразный диск со втулкой 4. Внутренний фланец 5. Кожух шлифовального диска с пылеотводом 6. Вкладыш подшипника

ПРИМЕЧАНИЕ: Информацию по установке кожуха диска с пылеотводом см. в руководстве к кожуху диска с пылеотводом.

Установка кожуха отрезного диска с пылеотводом

Дополнительные принадлежности

Применяя дополнительные принадлежности, данный инструмент можно использовать для резки каменных материалов.

- **Рис.29**

ПРИМЕЧАНИЕ: Информацию по установке кожуха диска с пылеотводом см. в руководстве к кожуху диска с пылеотводом.

Подключение пылесоса

Дополнительные принадлежности

▲ОСТОРОЖНО: Не используйте пылесос для удаления металлических частиц, образовавшихся в результате шлифования/резки/зачистки. Металлические частицы, образованные в результате таких операций, настолько горячие, что от них может произойти возгорание пыли и фильтра внутри пылесоса.

Чтобы избежать высокой запыленности, образующейся в результате резки каменной кладки, используйте кожух шлифовального диска с пылеотводом и пылесос.

См. руководство по сборке и эксплуатации, прилагаемое к кожуху шлифовального диска с пылеотводом.

► **Рис.30:** 1. Кожух шлифовального диска с пылеотводом 2. Шланг пылесоса

ЭКСПЛУАТАЦИЯ

▲ ОСТОРОЖНО: Никогда не прилагайте к инструменту чрезмерные усилия. Вес инструмента обеспечивает достаточное давление. Чрезмерное усилие и давление могут привести к опасному разрушению диска.

▲ ОСТОРОЖНО: ОБЯЗАТЕЛЬНО замените диск, если при шлифовании инструмент упал.

▲ ОСТОРОЖНО: ЗАПРЕЩАЕТСЯ стучать и бить диском по обрабатываемой детали.

▲ ОСТОРОЖНО: Избегайте подпрыгивания и зацепления диска, особенно при обработке углов, острых краев и т. д. Это может привести к потере контроля и отдаче.

▲ ОСТОРОЖНО: Запрещается использовать инструмент с полотнами для обработки дерева или другими пильными дисками. При использовании на шлифмашине такие диски часто выскакивают, выходят из-под контроля и приводят к травмам.

▲ ВНИМАНИЕ: Запрещается включать инструмент, если он касается обрабатываемого изделия. Это может стать причиной травмы оператора.

▲ ВНИМАНИЕ: Во время выполнения операции всегда надевайте защитные очки или защитную маску.

▲ ВНИМАНИЕ: После работы всегда отключайте инструмент и дождитесь полной остановки диска перед тем, как положить инструмент.

▲ ВНИМАНИЕ: ВСЕГДА крепко держите инструмент, положив одну руку на корпус, а вторую - на боковую ручку (рукоятку).

ПРИМЕЧАНИЕ: Диск двойного назначения может использоваться как для шлифования, так и для резки.

Информация об операциях шлифовки представлена в разделе "Шлифовка и зачистка", а информация об операциях резки – в разделе "Выполнение работ с абразивным отрезным / алмазным диском".

Шлифовка и зачистка

► **Рис.31**

Включите инструмент, а затем прижмите диск или круг к обрабатываемой детали. Обычно следует держать край диска или круга под углом около 15 градусов относительно поверхности обрабатываемой детали.

В период приработки нового диска не перемещайте шлифмашину вперед, поскольку диск может врезаться в обрабатываемую деталь. После того как кромка диска закруглится от использования, можно будет перемещать его в обоих направлениях (вперед и назад).

Пример использования: применение алмазного чашеобразного диска

► **Рис.32**

Держа инструмент горизонтально, поместите алмазный чашеобразный диск на поверхность обрабатываемой детали.

Выполнение работ с абразивным отрезным/алмазным диском

Дополнительные принадлежности

▲ ОСТОРОЖНО: Не "заклинивайте" диск и не оказывайте на него чрезмерное давление. Не пытайтесь делать слишком глубокий разрез. Чрезмерное давление на диск увеличивает нагрузку и вероятность искривления или застревания диска в прорези, а также возможность отдачи, поломки диска и перегрева электродвигателя.

▲ ОСТОРОЖНО: Не запускайте отрезной диск, пока он находится в детали. Дайте диску раскрутиться до максимальной скорости, а затем осторожно введите в разрез, перемещая инструмент вперед по поверхности обрабатываемой детали. Диск может застрять, отдача может отбросить его вверх или назад, если запустить электроинструмент, когда диск находится в детали.

▲ ОСТОРОЖНО: Во время операций резания нельзя менять угол наклона диска. Боковое давление на отрезной диск (как при шлифовке) приводит к растрескиванию и разрушению диска, в результате чего возможны серьезные травмы.

▲ ОСТОРОЖНО: Работы с алмазным диском необходимо выполнять, удерживая его перпендикулярно рабочей поверхности.

Пример использования: применение абразивного отрезного диска

► **Рис.33**

Пример использования: применение алмазного диска

► **Рис.34**

Операции с чашечной проволочной щеткой

Дополнительные принадлежности

▲ ВНИМАНИЕ: Проверьте работу чашечной проволочной щетки, запустив инструмент на холостом ходу и предварительно убедившись в том, что никто не находится перед ним или на одной линии с чашечной проволочной щеткой.

ПРИМЕЧАНИЕ: Не прикладывайте слишком большое давление, поскольку это может привести к изгибанию проволоки во время использования чашечной проволочной щетки. Это может стать причиной преждевременной поломки.

Пример использования: применение чашечной проволочной щетки

► Рис.35

Работа с дисковой проволочной щеткой

Дополнительные принадлежности

ВНИМАНИЕ: Проверьте работу дисковой проволочной щетки, запустив инструмент на холостом ходу и предварительно убедившись, что никто не находится перед ним или на одной линии с дисковой проволочной щеткой.

ПРИМЕЧАНИЕ: Не прикладывайте слишком большое давление, так как оно может привести к тому, что проволока погнется во время использования дисковой проволочной щетки. Это может стать причиной преждевременной поломки.

Пример использования: применение дисковой проволочной щетки

► Рис.36

Работа с головкой для вырезания отверстий

Дополнительные принадлежности

ВНИМАНИЕ: Проверьте работу головки для вырезания отверстий, запустив инструмент на холостом ходу, предварительно убедившись в том, что никто не находится перед ним или на одной линии с головкой для вырезания отверстий.

ПРИМЕЧАНИЕ: Не наклоняйте инструмент во время работы. Это может привести к преждевременной поломке.

Пример использования: применение головки для вырезания отверстий

► Рис.37

ФУНКЦИЯ БЕСПРОВОДНОЙ АКТИВАЦИИ

Что позволяет делать функция беспроводной активации

Функция беспроводной активации обеспечивает беспрепятственную и удобную работу. Подключив к

инструменту поддерживаемый пылесос, можно его автоматически запускать, используя переключатель инструмента.

► Рис.38

Чтобы использовать функцию беспроводной активации, подготовьте следующие компоненты:

- Беспроводной блок (Дополнительные принадлежности)
- Пылесос, который поддерживает функцию беспроводной активации

Обзор настройки функции беспроводной активации выглядит следующим образом. Подробные процедуры см. в каждом разделе.

1. Установка беспроводного блока
2. Регистрация инструмента для пылесоса
3. Запуск функции беспроводной активации

Установка беспроводного блока

Дополнительные принадлежности

ВНИМАНИЕ: При установке беспроводного блока поместите инструмент на ровную и устойчивую поверхность.

ПРИМЕЧАНИЕ: Перед началом установки беспроводного блока очистите пыль и грязь на инструменте. Если пыль или грязь попадет в гнездо беспроводного блока, это может привести к неисправности.

ПРИМЕЧАНИЕ: Во избежание сбоев, вызванных статическим электричеством, прежде чем поднимать беспроводной блок, прикоснитесь к материалу, позволяющему снять статический заряд, например, к металлической части инструмента.

ПРИМЕЧАНИЕ: При установке беспроводного блока всегда следите за тем, чтобы беспроводной блок был вставлен в правильном направлении, и крышка была полностью закрыта.

1. Откройте крышку на инструменте, как показано на рисунке.

► Рис.39: 1. Крышка

2. Вставьте беспроводной блок в гнездо и закройте крышку.

При вставке беспроводного блока выровняйте выступы с углубленными участками в гнезде.

► Рис.40: 1. Беспроводной блок 2. Защита 3. Крышка 4. Углубленный участок

При извлечении беспроводного блока медленно откройте крышку. Если потянуть крышку, то крючки на обратной стороне крышки поднимут беспроводной блок.

► Рис.41: 1. Беспроводной блок 2. Крючок 3. Крышка

После извлечения беспроводного блока поместите его в поставляемый футляр или в контейнер без статического электричества.

ПРИМЕЧАНИЕ: Для снятия беспроводного блока обязательно используйте крючки на обратной стороне крышки. Если крючки не захватывают беспроводной блок, полностью закройте крышку и снова медленно откройте ее.

Регистрация инструмента для пылесоса

ПРИМЕЧАНИЕ: Для регистрации инструмента необходим пылесос Makita, поддерживающий функцию беспроводной активации.

ПРИМЕЧАНИЕ: Перед началом регистрации инструмента завершите установку беспроводного блока в инструмент.

ПРИМЕЧАНИЕ: Во время регистрации инструмента не тяните за триггерный переключатель и не включайте выключатель питания на пылесосе.

ПРИМЕЧАНИЕ: См. также руководство по эксплуатации пылесоса.

Если необходимо активировать пылесос одновременно с переключением инструмента, сначала завершите регистрацию инструмента.

1. Установите аккумулятор в пылесос и инструмент.
2. Установите выключатель режима ожидания на пылесосе в положение «АУТО» (автоматический).
► **Рис.42:** 1. Выключатель режима ожидания

3. Нажмите и удерживайте кнопку беспроводной активации на пылесосе в течение 3 секунд, пока лампа беспроводной активации не замигает зеленым цветом. Затем таким же образом нажмите кнопку беспроводной активации на инструменте.
► **Рис.43:** 1. Кнопка беспроводной активации
2. Лампа беспроводной активации

Если пылесос и инструмент надежно соединены друг с другом, то лампы беспроводной активации будут гореть зеленым светом в течение 2 секунд, затем начнут мигать синим цветом.

ПРИМЕЧАНИЕ: Через 20 секунд лампы беспроводной активации связи закончат мигать зеленым цветом. Если на пылесосе мигает лампа беспроводной активации, нажмите кнопку беспроводной активации на инструменте. Если лампа беспроводной активации не мигает зеленым цветом, нажмите кнопку беспроводной активации на короткое время, а затем снова удерживайте ее.

ПРИМЕЧАНИЕ: При выполнении двух или более регистраций инструмента для одного пылесоса завершите регистрацию инструмента одну за другой.

Запуск функции беспроводной активации

ПРИМЕЧАНИЕ: Перед беспроводной активацией завершите регистрацию инструмента для пылесоса.

ПРИМЕЧАНИЕ: См. также руководство по эксплуатации пылесоса.

После регистрации инструмента для пылесоса можно использовать переключатель инструмента для автоматического запуска пылесоса.

1. Установите беспроводной блок в инструмент.
2. Подсоедините шланг пылесоса к инструменту.
► **Рис.44**

3. Установите выключатель режима ожидания на пылесосе в положение «АУТО» (автоматический).
► **Рис.45:** 1. Выключатель режима ожидания

4. На короткое время нажмите кнопку беспроводной активации на инструменте. Лампа беспроводной активации мигает синим цветом.
► **Рис.46:** 1. Кнопка беспроводной активации
2. Лампа беспроводной активации

5. Включите инструмент. Проверьте, работает ли пылесос во время работы инструмента.

Чтобы остановить беспроводную активацию пылесоса, нажмите кнопку беспроводной активации на инструменте.

ПРИМЕЧАНИЕ: Если в течение 2 часов не будет выполняться никаких действий, то лампа беспроводной активации на инструменте перестанет мигать синим цветом. В этом случае установите выключатель режима ожидания на пылесосе в положение «АУТО» и снова нажмите кнопку беспроводной активации на инструменте.

ПРИМЕЧАНИЕ: Пылесос запускается/останавливается с задержкой. Когда пылесос обнаруживает переключение выключателя инструмента, возникает временная задержка.










ПРИМЕЧАНИЕ: Дальность передачи беспроводного блока может варьироваться в зависимости от местоположения и окружающих предметов.

ПРИМЕЧАНИЕ: Если за одним пылесосом закреплено два или несколько инструментов, то пылесос может начать работать, даже если вы не включаете свой инструмент, поскольку другой пользователь использует функцию беспроводной активации.

Описание статуса лампы беспроводной активации

- **Рис.47:** 1. Лампа беспроводной активации

Лампа беспроводной активации отображает состояние функции беспроводной активации. Значения состояния лампы см. в таблице ниже.

Состояние	Лампа беспроводной активации				Описание
	Цвет	 Вкл	 Мигает	Продолжительность	
Ожидание	Синий			2 часа	Доступна беспроводная активация пылесоса. Если в течение 2 часов не будет выполняться никаких операций, лампа автоматически выключится.
				Пока инструмент работает.	Доступна беспроводная активация пылесоса, инструмент работает.
Регистрация инструмента	Зеленая			20 секунд	Готовность к регистрации инструмента. Ожидание регистрации пылесосом.
				2 секунды	Регистрация инструмента завершена. Лампа беспроводной активации начнет мигать синим цветом.
Отмена регистрации инструмента	Красная			20 секунд	Готовность к отмене регистрации инструмента. Ожидание отмены пылесосом.
				2 секунды	Отмена регистрации инструмента завершена. Лампа беспроводной активации начнет мигать синим цветом.
Прочие	Красная			3 секунд	На беспроводной блок подается питание, и запускается функция беспроводной активации.
	Выкл		-	-	Беспроводная активация пылесоса прекращается.

Отмена регистрации инструмента для пылесоса

При отмене регистрации инструмента для пылесоса выполните следующую процедуру.

1. Установите аккумулятор в пылесос и инструмент.
2. Установите выключатель режима ожидания на пылесосе в положение «АUTO» (автоматический).
► **Рис.48:** 1. Выключатель режима ожидания
3. Нажмите и удерживайте кнопку беспроводной активации на пылесосе в течение 6 секунд. Лампа беспроводной активации мигает зеленым, а затем переключается на красный цвет. После этого

нажмите кнопку беспроводной активации на инструменте таким же образом.

- **Рис.49:** 1. Кнопка беспроводной активации
2. Лампа беспроводной активации

Если отмена выполнена успешно, лампы беспроводной активации загорятся красным цветом на 2 секунды и начнут мигать синим цветом.

ПРИМЕЧАНИЕ: По истечении 20 секунд лампы беспроводной активации прекращают мигать красным цветом. Если на пылесосе мигает лампа беспроводной активации, нажмите кнопку беспроводной активации на инструменте. Если лампа беспроводной активации не мигает красным цветом, нажмите кнопку беспроводной активации на короткое время, а затем снова удерживайте ее.

Поиск и устранение неисправностей для функции беспроводной активации

Прежде чем обращаться по поводу ремонта, проведите осмотр самостоятельно. Если обнаружена неисправность, не указанная в руководстве, не пытайтесь разобрать инструмент. Обратитесь в один из авторизованных сервисных центров Makita, в которых для ремонта всегда используются оригинальные детали Makita.

Состояние неисправности	Возможная причина (неисправности)	Способ устранения
Лампа беспроводной активации не горит/мигает.	Беспроводной блок не установлен в инструмент. Беспроводной блок неправильно установлен в инструмент.	Правильно установите беспроводной блок.
	Грязь на клемме беспроводного блока и/или гнезда.	Аккуратно вытрите пыль и грязь на клемме беспроводного блока и очистите гнездо.
	Не нажата кнопка беспроводной активации на инструменте.	На короткое время нажмите кнопку беспроводной активации на инструменте.
	Выключатель режима ожидания на пылесосе не установлен в положение «АUTO» (автоматический).	Установите выключатель режима ожидания на пылесосе в положение «АUTO» (автоматический).
	Отсутствует электропитание	Подайте питание на инструмент и пылесос.

Состояние неисправности	Возможная причина (неисправности)	Способ устранения
Не удается успешно завершить регистрацию/отмену регистрации инструмента.	Беспроводной блок не установлен в инструмент. Беспроводной блок неправильно установлен в инструмент.	Правильно установите беспроводной блок.
	Грязь на клемме беспроводного блока и/или гнезда.	Аккуратно вытрите пыль и грязь на клемме беспроводного блока и очистите гнездо.
	Выключатель режима ожидания на пылесосе не установлен в положение «АУТО» (автоматический).	Установите выключатель режима ожидания на пылесосе в положение «АУТО» (автоматический).
	Отсутствует электропитание	Подайте питание на инструмент и пылесос.
	Неверная операция	На короткое время нажмите кнопку беспроводной активации и снова выполните процедуру регистрации/отмены.
	Большое расстояние между инструментом и пылесосом (вне диапазона передачи).	Расположите инструмент и пылесос ближе друг к другу. Максимальное расстояние передачи составляет приблизительно 10 м, однако оно может изменяться в зависимости от обстоятельств.
	Перед завершением регистрации инструмента/отменой; - выключатель инструмента переведен в положение «On» (Вкл.); или - кнопка питания на пылесосе переведена в положение «On» (Вкл.).	На короткое время нажмите кнопку беспроводной активации и снова выполните процедуру регистрации/отмены.
	Процедура регистрации инструмента для инструмента или пылесоса не завершена.	Одновременно выполните процедуры регистрации инструмента для инструмента и для пылесоса.
	Радиопомехи от других приборов, которые генерируют радиоволны высокой интенсивности.	Избегайте эксплуатации инструмента и пылесоса рядом с такими приборами, как устройства Wi-Fi и микроволновые печи.
Пылесос не работает при использовании переключателя инструмента.	Беспроводной блок не установлен в инструмент. Беспроводной блок неправильно установлен в инструмент.	Правильно установите беспроводной блок.
	Грязь на клемме беспроводного блока и/или гнезда.	Аккуратно вытрите пыль и грязь на клемме беспроводного блока и очистите гнездо.
	Не нажата кнопка беспроводной активации на инструменте.	На короткое время нажмите кнопку беспроводной активации и убедитесь в том, что лампа беспроводной активации мигает синим цветом.
	Выключатель режима ожидания на пылесосе не установлен в положение «АУТО» (автоматический).	Установите выключатель режима ожидания на пылесосе в положение «АУТО» (автоматический).
	В пылесосе зарегистрировано более 10 инструментов.	Выполните повторную регистрацию инструмента. Если в пылесосе зарегистрировано более 10 инструментов, инструмент, зарегистрированный первым, будет автоматически отменен.
	Пылесос удалил все записи регистрации инструментов.	Выполните повторную регистрацию инструмента.
	Отсутствует электропитание	Подайте питание на инструмент и пылесос.
	Большое расстояние между инструментом и пылесосом (вне диапазона передачи).	Расположите инструмент и пылесос ближе друг к другу. Максимальное расстояние передачи составляет приблизительно 10 м, однако оно может изменяться в зависимости от обстоятельств.
	Радиопомехи от других приборов, которые генерируют радиоволны высокой интенсивности.	Избегайте эксплуатации инструмента и пылесоса рядом с такими приборами, как устройства Wi-Fi и микроволновые печи.
Пылесос работает в то время, когда инструмент не работает.	Другие пользователи используют беспроводную активацию пылесоса с помощью своих инструментов.	Отключите кнопку беспроводной активации других инструментов или отмените регистрацию инструмента для других инструментов.

ОБСЛУЖИВАНИЕ

⚠ ВНИМАНИЕ: Перед проведением проверки или работ по техобслуживанию всегда проверяйте, что инструмент выключен, а блок аккумулятора снят.

ПРИМЕЧАНИЕ: Запрещается использовать бензин, растворители, спирт и другие подобные жидкости. Это может привести к обесцвечиванию, деформации и трещинам.

Для обеспечения БЕЗОПАСНОСТИ и НАДЕЖНОСТИ оборудования ремонт, любое другое техобслуживание или регулировку необходимо производить в уполномоченных сервис-центрах Makita или сервис-центрах предприятия с использованием только сменных частей производства Makita.

Очистка вентиляционного отверстия

Инструмент и его вентиляционные отверстия должны содержаться в чистоте. Производите регулярную очистку вентиляционных отверстий инструмента или очищайте их в случае засорения.

► **Рис.50:** 1. Вытяжное отверстие 2. Впускное вентиляционное отверстие

Снимите пылезащитную крышку с впускного вентиляционного отверстия и очистите ее, чтобы обеспечить свободное прохождение воздуха.

► **Рис.51:** 1. Пылезащитный кожух

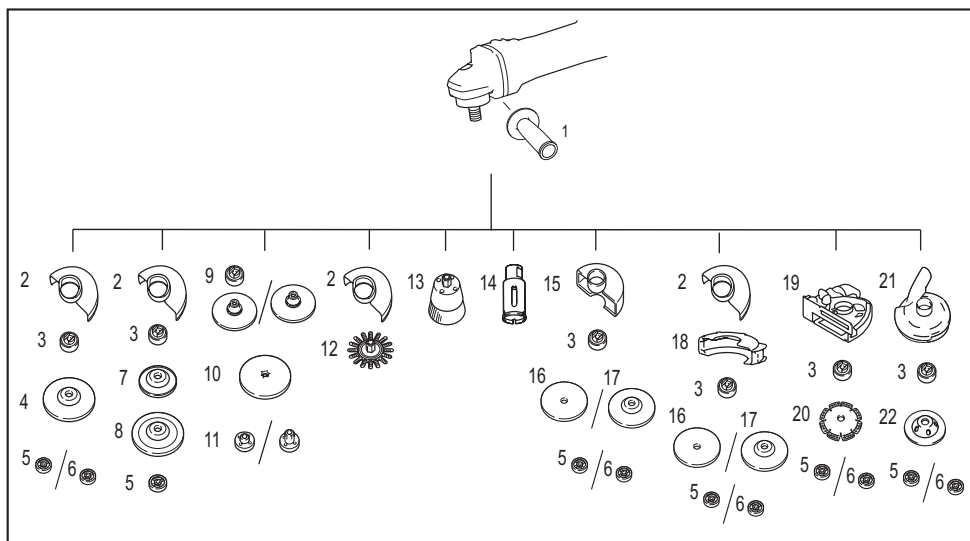
ПРИМЕЧАНИЕ: При засорении пылезащитного кожуха пылью или посторонними вещами очистите его. Продолжение эксплуатации с засоренным пылезащитным кожухом приведет к повреждению инструмента.

СОЧЕТАНИЕ СФЕР ПРИМЕНЕНИЯ И ПРИНАДЛЕЖНОСТЕЙ

Дополнительные принадлежности

⚠ ВНИМАНИЕ: Использование инструмента с неправильно подобранными кожухами может приводить к возникновению следующих рисков.

- При использовании кожуха отрезного диска для поверхностного шлифования кожух диска может цепляться за обрабатываемую деталь, ухудшая контроль над инструментом.
- При использовании кожуха шлифовального диска для операций резки с шлифовальными кругами с абразивом на связке и алмазными кругами существует повышенный риск соприкосновения с вращающимися кругами, а также попадания разлетающихся искр и частиц или фрагментов круга в случае его разрыва.
- При использовании кожуха отрезного диска или кожуха шлифовального диска для поверхностных операций с алмазными чашеобразными дисками кожух диска может цепляться за обрабатываемую деталь, ухудшая контроль над инструментом.
- При использовании кожуха отрезного диска или кожуха шлифовального диска с проволочной щеткой дискового типа толщиной, превышающей максимальное значение, указанное в разделе "ТЕХНИЧЕСКИЕ ХАРАКТЕРИСТИКИ", проволока может цепляться за кожух, что приводит к ее разламыванию.
- Использование кожухов с пылеотводом для дисков, применяемых в целях резки и поверхностной обработки бетона или камня, снижает риск попадания пыли на оператора.
- При использовании дисков двойного назначения (с комбинированным абразивом для шлифования и резки) с фланцевым креплением используйте только кожух для отрезного диска.



-	Сфера применения	Модель 100 мм	Модель 115 мм	Модель 125 мм
1	-	Боковая ручка		
2	-	Кожух диска (для шлифовального диска)		
3	-	Внутренний фланец	Внутренний фланец / суперфланец *1*2	
4	Шлифование / обработка наждачной бумагой	Диск с утопленным центром/откидной круг		
5	-	Контргайка		
6	-	-	Гайка Ezynut *1*3	
7	-	Вспомогательная подушка		
8	Шлифование	Гибкий диск		
9	-	Внутренний фланец и резиновая подушка 76	Резиновая подушка 100	Резиновая подушка 115
10	Обработка наждачной бумагой	Абразивный круг		
11	-	Шлифовальная контргайка		
12	Очистка проволочной щеткой	Дисковая проволочная щетка		
13	Очистка проволочной щеткой	Чашечная проволочная щетка		
14	Вырезание отверстий	Головка для вырезания отверстий		
15	-	Кожух диска (для отрезного диска)		
16	Резка	Абразивный отрезной диск / алмазный диск		
17	Шлифование / резка	Диск двойного назначения		
18	-	Пристегивная насадка на кожух отрезного диска *4		
19	-	Кожух с пылеотводом для отрезного диска *5		
20	Резка	Алмазный диск		
21	-	-	Кожух с пылеотводом для шлифовального диска *6	
22	Шлифование	-	Алмазный чашеобразный диск *6	
-	-	Ключ контргайки		

ПРИМЕЧАНИЕ: *1 Не используйте суперфланец вместе с гайкой Ezynut.

ПРИМЕЧАНИЕ: *2 Не используйте суперфланец с шлифовальной машиной, оснащенной функцией торможения.

ПРИМЕЧАНИЕ: *3 Только для инструментов с резьбой шпинделя M14.

ПРИМЕЧАНИЕ: *4 В некоторых странах пристежная насадка на кожух отрезного диска не предлагается. Более подробную информацию см. в руководстве по эксплуатации пристежной насадки на кожух отрезного диска.

ПРИМЕЧАНИЕ: *5 Подробнее см. в инструкции по эксплуатации каждого кожуха.

ПРИМЕЧАНИЕ: *6 Только для модели GA028G / GA029G / GA031G / GA032G

Подробнее см. в инструкции по эксплуатации каждого кожуха.

ДОПОЛНИТЕЛЬНЫЕ ПРИНАДЛЕЖНОСТИ

⚠ ВНИМАНИЕ: Данные принадлежности или приспособления рекомендуются для использования с инструментом Makita, указанным в настоящем руководстве. Использование других принадлежностей или приспособлений может привести к получению травмы. Используйте принадлежность или приспособление только по указанному назначению.

Если вам необходимо содействие в получении дополнительной информации по этим принадлежностям, свяжитесь с вашим сервис-центром Makita.

- Оригинальный аккумулятор и зарядное устройство Makita
- Список принадлежностей приведен в разделе "СОЧЕТАНИЕ СФЕР ПРИМЕНЕНИЯ И ПРИНАДЛЕЖНОСТЕЙ"
- Беспроводной блок (для моделей с функцией беспроводной активации)

ПРИМЕЧАНИЕ: Некоторые элементы списка могут входить в комплект инструмента в качестве стандартных приспособлений. Они могут отличаться в зависимости от страны.

Makita Europe N.V.

Jan-Baptist Vinkstraat 2, 3070 Kortenberg, Belgium

Makita Corporation

3-11-8, Sumiyoshi-cho, Anjo, Aichi 446-8502 Japan

www.makita.com



885795D989 EN, SV, NO, FI, DA, LV, LT, ET, RU 20250310
