

STROXX
PROUD PROFESSIONALS



ST-20
MOTORIZED
**LOCK
TURNER**
SMART LOCK

ART NO. 102-513



EN Motorized lock turner

DK Motoriseret vrider

NL Gemotoriseerde slotdraaier

DE Motorisierter Schlosdreher

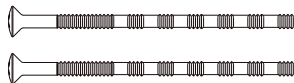
FR Serrure motorisée

ES Giracerraduras motorizado

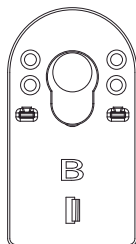
Installations guide

Accessories list

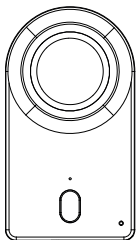
A. M5 x 110 screws



B. Adhesive-fixed plate



C. Smart Lock



D. Adapter

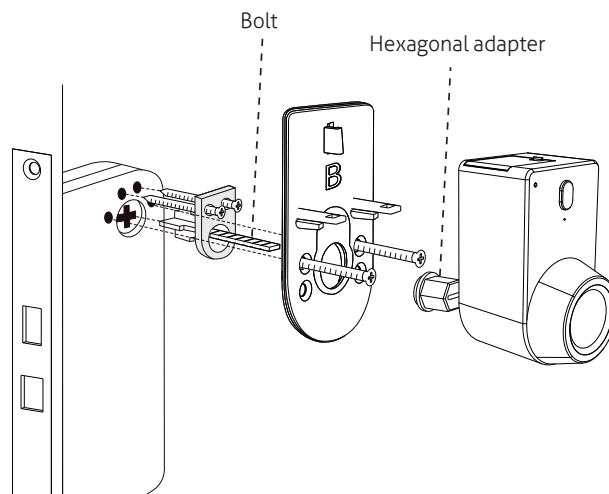
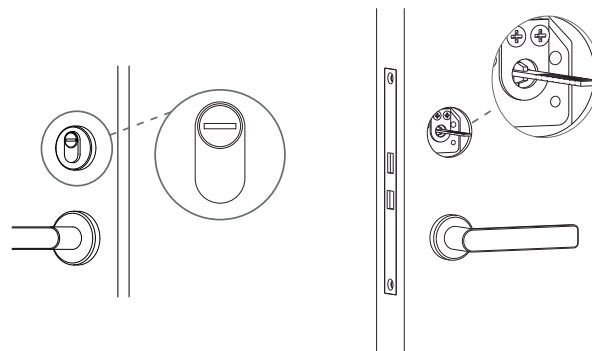


E. Adhesive magnet



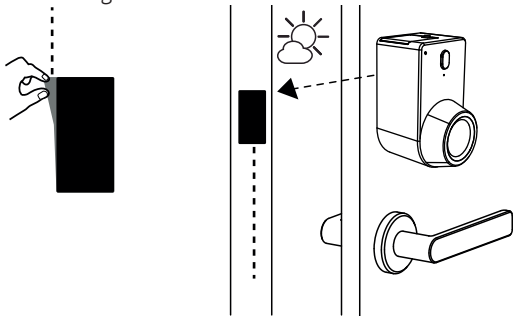
F. Needle

1. Lock installation



2. Installation of magnet

Peel off the protective film from the magnet



Stick it to door frame as photo

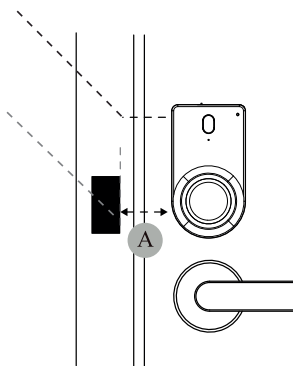
Function of magnet

1. to judge direction of door opening
2. to achieve autolock function

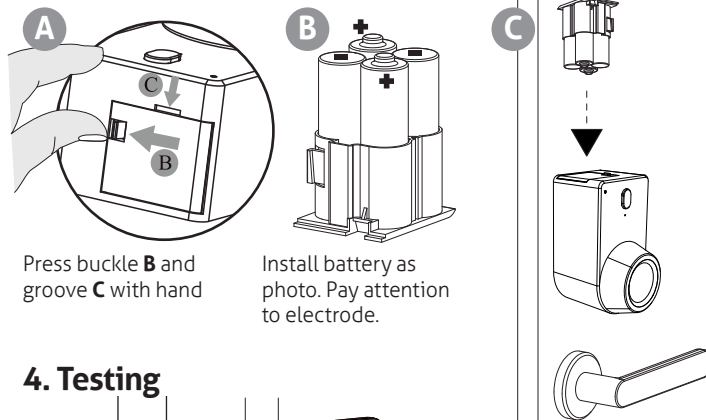
NOTE:

Effective distance **A** ≤ 45mm

Return to XLock App (refer to setting of left and right door) if magnet is not working.



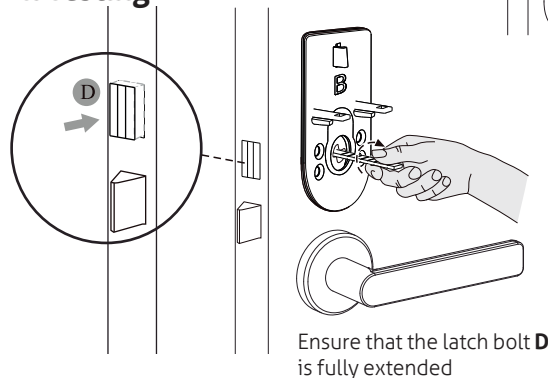
3. Battery installation



Press buckle **B** and groove **C** with hand

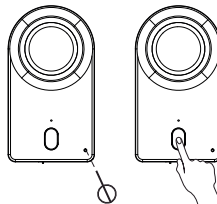
Install battery as photo. Pay attention to electrode.

4. Testing



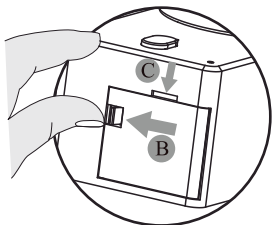
Ensure that the latch bolt **D** is fully extended

Short press the reset key with needle, and press the lock/unlock button again within 3 seconds after hearing the bip.



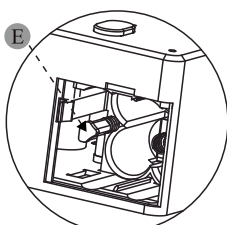
5. How to remove the smart lock

A



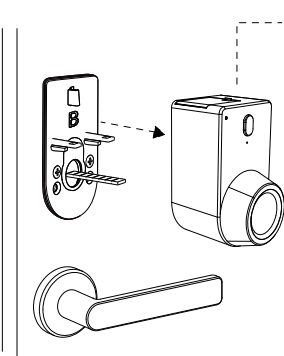
Press buckle **B** and groove **C** with hand

B



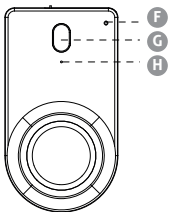
Press the button **E**, then the smart lock is removed.

C



Carefully remove the smart lock from the mounting plate. Then re-insert the battery compartment / power pack into the smart lock.

How to use



F Set/reset button:

1. Short press Set/Reset button is to match bluetooth with needle blue light flashing.
2. Long press Set/Reset button is to reset (remove administrator) with needle.

G One-button Lock/Unlock: Lock/Unlock button

H LED light: green light flashing is start, red light flashing is stop.

Lock the door from the outside

Lock the door with your XLock app



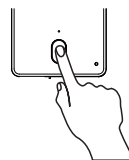
Lock the door with keypad (optional)



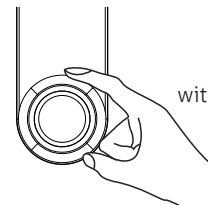
Lock the door with remote control key (optional)



Lock the door from the inside



Lock the door with the button from inside



Lock the door with the thumbturn from the inside

Unlock the door from the outside

Unlock the door with your XLock app



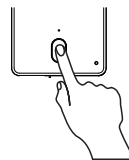
Unlock the door with keypad (optional)



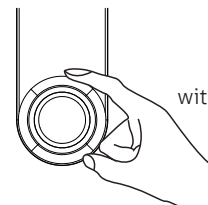
Unlock the door with remote control key (optional)



Unlock the door from the inside



Unlock the door with the button from inside



Unlock the door with the thumbturn from the inside



Made in China

Union Euro Trading GmbH
Hermann-Buck-Weg 11-17
22309 Hamburg, Germany.
E-mail:
info@union-euro-trading.eu



www.stroxx.eu