

# Thumb turn

## Arne Jacobsen collection

**Product**

Solid rose, cc 30mm, ASSA.

**Tender text**

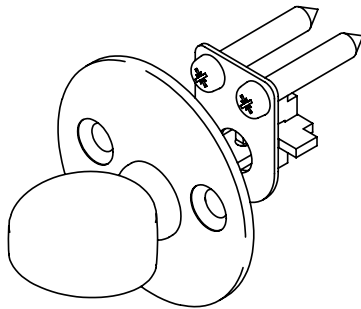
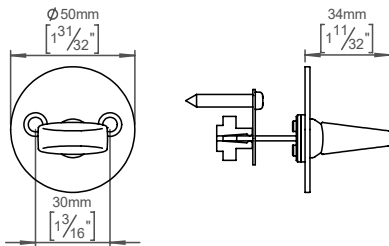
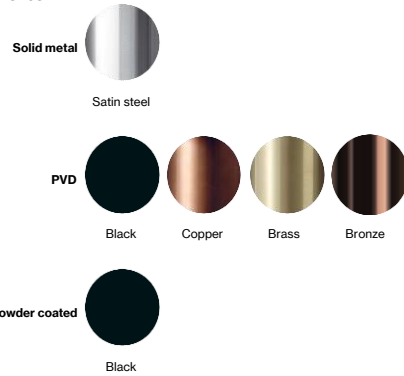
Arne Jacobsen collection, thumb turn A.J, solid rose, cc 30mm, ASSA in satin finished AISI 304 stainless steel. 20-year warranty.

**Product specification**

Dimensions: 50x50x34mm

Material: stainless steel AISI 304

Surface finish: satin grain 320, crafted by hand

[20-year warranty \(5 years for coated items\)](#)

**Available finishes**

**Spare parts/ accessories**

14296174107 - Sectioned bolt set M4x110mm, with bush

**Mounting**
<https://dline.com/mounting-instructions/>
**Product care**

d line products are produced in the highest quality AISI 304 stainless steel. To sustain the unique d line finish please follow the below instructions:

- Wash down the surfaces using soapy water or mild detergent
- Always thoroughly rinse off with clean water
- To complete the cleaning procedure dry/polish the surface with a soft dry cloth

Please do not use scouring powder, steel wool, chloride based detergents or other aggressive cleaning products as these may damage the surface.

If spots or corrosion appear on the surface it is not due to the stainless steel quality, but to impurities in the environment, aggressive conditions or improper or insufficient cleaning.