

Lever handle AJ111, large - brass

Arne Jacobsen collection

Product

Snap-on cover, cc 30/38mm, 33-59mm.

Tender text

Arne Jacobsen collection, lever handle AJ large, pair, 8x8mm, snap-on cover, cc 30/38mm, 33-59mm in polished brass. Certified in accordance with EN 1906 to 47-B1140U. 20-year warranty.



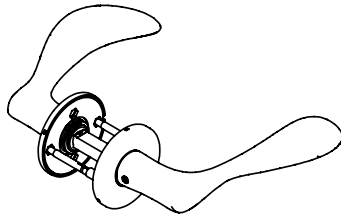
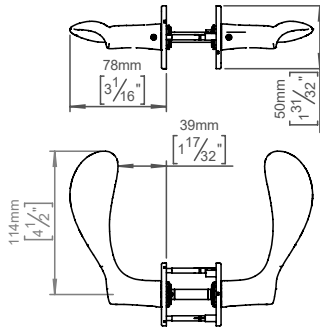
Product specification

Dimensions: 139x50x77mm

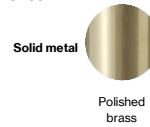
Material: brass

Surface finish: polished

[20-year warranty \(5 years for coated items\)](#)



Available finishes



Spare parts/ accessories

14970102019 - Grub screw M5x8,3mm

14296174107 - Sectioned bolt set M4x110mm with bush

14281092092 - Spindle for door 33-59mm

14976700105 - TX10 tool kit

14293002002 - Snap-on cover tool

Mounting

<https://dline.com/mounting-instructions/>

Product care

d line products are produced in the highest quality brass. To sustain the unique d line finish please follow the below instructions:

- Wash down the surfaces using soapy water or mild detergent
- Always thoroughly rinse off with clean water
- To complete the cleaning procedure dry/polish the surface with a soft dry cloth

Please do not use scouring powder, steel wool, chloride based detergents or other aggressive cleaning products as these may damage the surface.

If spots or corrosion appear on the surface it is not due to the stainless steel quality, but to impurities in the environment, aggressive conditions or improper or insufficient cleaning.