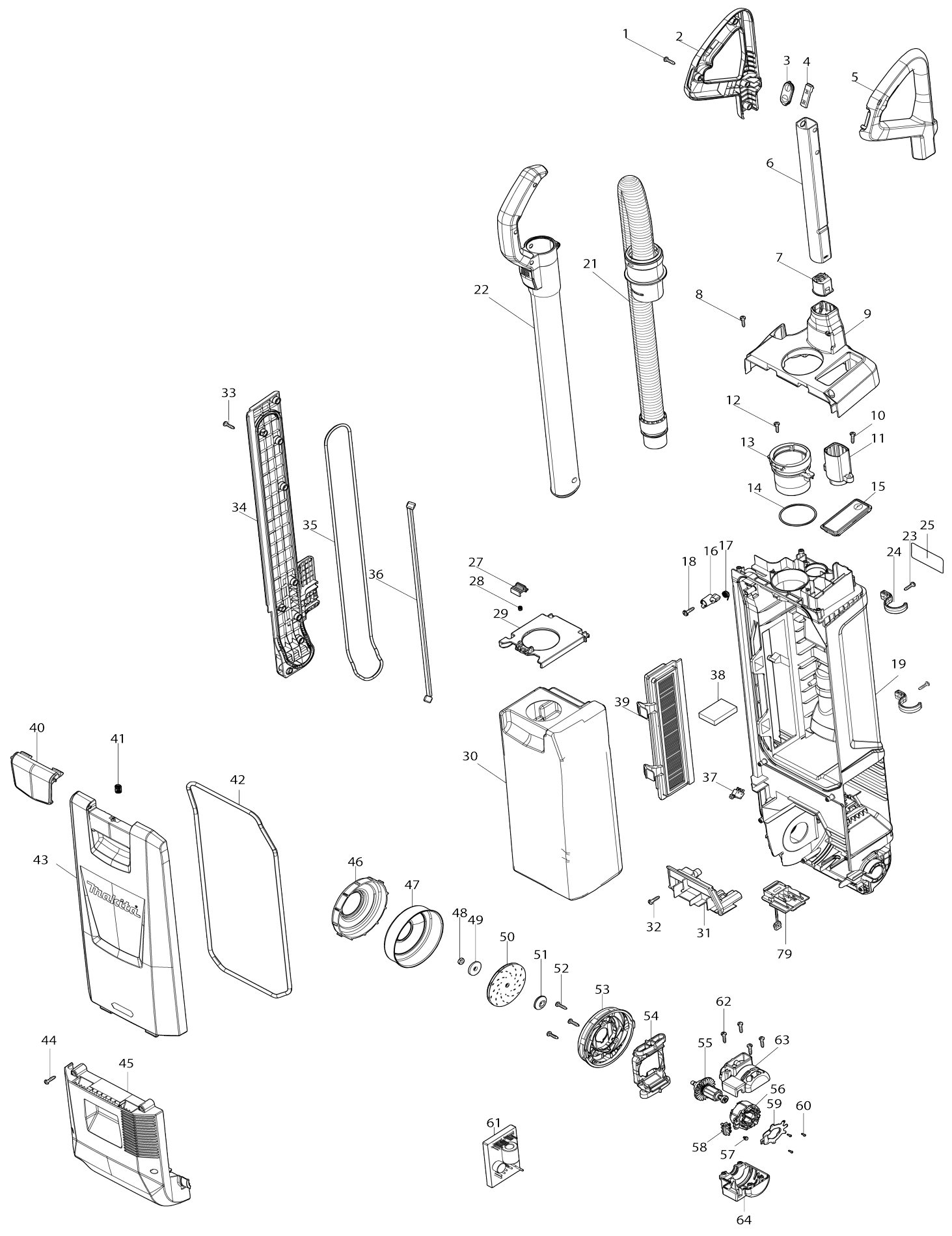
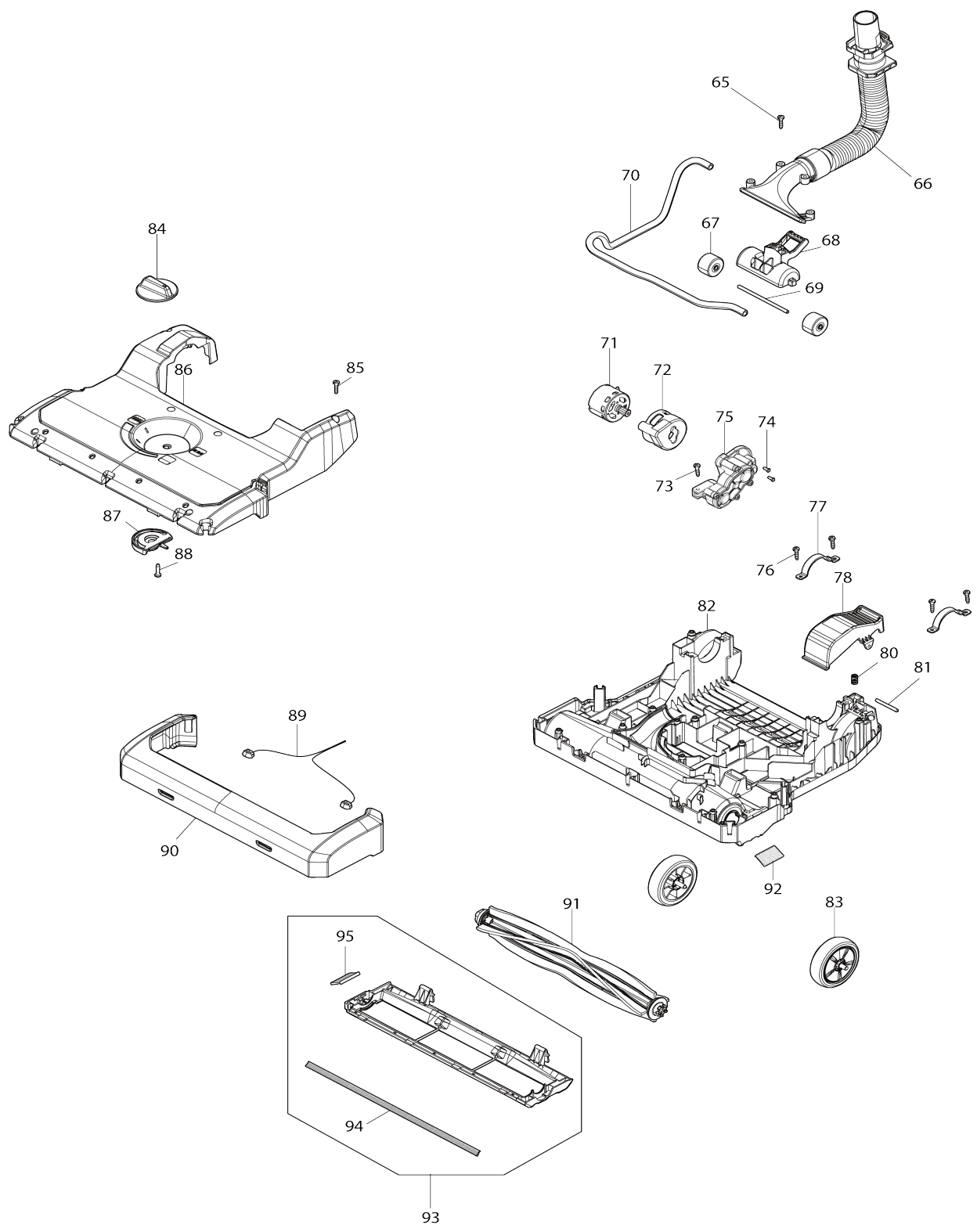


# Model No.VC010G CORDLESS UPRIGHT CLEANER



# Model No.VC010G CORDLESS UPRIGHT CLEANER



Model No.VC010G CORDLESS UPRIGHT CLEANER

Item No.	Parts No.	Description	Interchangability	Q'ty	New/Old	Note1	Note2
001	266326-2	TAPPING SCREW 4X18		4			
002	183R12-7	HANDLE SET		1			
D10		INC. 5					
003	141R09-2	SWITCH PLATE COMPLETE		1			
004	631973-2	SWITCH UNIT		1			
005	183R12-7	HANDLE SET		1			
D10		INC. 2					
006	327555-3	PIPE A		1			
007	632R23-4	LEAD UNIT		1			
008	266326-2	TAPPING SCREW 4X18		4			
009	141R11-5	TOP COVER COMPLETE		1			
010	266326-2	TAPPING SCREW 4X18		2			
011	632R22-6	LEAD UNIT		1			
012	266326-2	TAPPING SCREW 4X18		2			
013	412455-1	INLET		1			
014	213663-5	O RING 55		1			
015	141R13-1	INDICATION CIRCUIT COMPLETE		1			
016	413R48-5	STOPPER PLATE		1			
017	232627-0	TORSION SPRING 9		1			
018	265678-8	TAPPING SCREW 4X18		1			
019	137100-4	DUST BOX ASSEMBLY		1			
C10	263005-3	RUBBER PIN 6		1			
C20	266326-2	TAPPING SCREW 4X18		1			
C30	413R43-5	FOOT LEVER STOPPER		1			
021	141R15-7	HOSE COMPLETE 28-0.7		1			
022	127522-6	PIPE ASSEMBLY		1			
023	266326-2	TAPPING SCREW 4X18		2			
024	412444-6	NOZZLE HOLDER		2			
025	8143R7-2	VC010G NAME PLATE		1			
027	412464-0	LOCK LEVER A		1			
028	231309-1	COMPRESSION SPRING 5		1			
029	412463-2	STAY		1			
030	162A02-1	FILTER BAG		1	*		
030-1	191T96-3	FILTER BAG SET	O	1			
031	137101-2	TERMINAL CASE ASSEMBLY		1			
C10	263005-3	RUBBER PIN 6		1			
032	266326-2	TAPPING SCREW 4X18		2			
033	266326-2	TAPPING SCREW 4X18		9			
034	413R47-7	SIDE DAST BOX COVER		1			
035	422A29-6	SEAL RING B		1			
036	632R24-2	LEAD UNIT		1			
037	632R30-7	SWITCH UNIT		1			
038	422A26-2	SPONGE SHEET		1			
039	162808-1	MAIN FILTER H		1	*		
039-1	191E39-5	MAIN FILTER H SET	O	1			
040	412446-2	LATCH		1			
041	234391-9	COMPRESSION SPRING 8		1			

042	422A27-0	SEAL RING A		1		
043	413R44-3	DUST BOX COVER		1		
044	266326-2	TAPPING SCREW 4X18		6		
045	141R06-8	MOTOR COVER COMPLETE		1		
C10	422A91-1	SPONGE SHEET		1		
046	422A23-8	SUPPORT RING		1		
047	347B39-7	FAN COVER		1		
048	252268-6	HEX. NUT M6		1		
049	253752-4	FLAT WASHER 8		1		
050	240243-4	FAN 80		1		
051	313062-2	FLANGE		1		
052	266326-2	TAPPING SCREW 4X18		3		
053	413R40-1	FAN BASE		1		
054	422A22-0	SUPPORT		1		
055	619704-9	ROTOR		1		
056	629C29-1	STATOR		1		
057	652069-6	FLAT HEAD SCREW M3X6		3		
058	632R64-0	LEAD UNIT		1		
059	620H32-5	CONTROLLER B		1		
060	266490-9	TAPPING SCREW PT 2X6		3		
061	620M72-3	CONTROLLER		1		
062	266326-2	TAPPING SCREW 4X18		4		
063	1830D9-6	MOTOR HOUSING SET		1		
D10		INC. 64				
064	1830D9-6	MOTOR HOUSING SET		1		
D10		INC. 63				
065	266326-2	TAPPING SCREW 4X18		4		
066	141R14-9	HOSE COMPLETE 28-0.1		1		
067	412434-9	FRONT ROLLER		2		
068	413R55-8	FRONT ROLLER HOLDER		1		
069	256954-1	FRONT ROLLER SHAFT		1		
070	422A32-7	TUBE		1		
071	629A11-8	DC MOTOR		1		
072	422A33-5	TUBE JOINT		1		
073	266326-2	TAPPING SCREW 4X18		2		
074	265199-0	+ PAN HEAD SCREW M3X8		2		
075	122G23-1	BRUSH GEAR ASSEMBLY		1		
076	266326-2	TAPPING SCREW 4X18		4		
077	347719-3	HINGE HOLDER		2		
078	413J90-8	FOOT LEVER		1		
079	632P49-4	TERMINAL UNIT		1		
080	234339-1	COMPRESSION SPRING 6		1		
081	256965-6	PIN 4		1		
082	141R04-2	LOWER HOUSING COMPLETE		1		
C10	8073R1-1	CAUTION LABEL		1		
083	140S28-1	CASTER 75 COMPLETE		2		
084	412438-1	HEIGHT CHANGE LEVER		1		
085	266326-2	TAPPING SCREW 4X18		6		
086	413R41-9	UPPER HOUSING		1		
087	413R56-6	CAM		1		
088	266326-2	TAPPING SCREW 4X18		1		
089	620M58-7	LED CIRCUIT		1		

090	422A24-6	BUMPER		1		
091	1914B1-8	BRUSH COMPLETE SET		1		
092	422577-9	SIDE BRUSH		1		
093	122E44-1	BOTTOM PLATE ASSEMBLY		1		
D10		INC. 94,95				
094	422A31-9	BRUSH		1		
095	413R52-4	BRUSH HOLDER		1		
A01	191D65-8	LONG SASH NOZZLE SET		1		
A02	191D67-4	ROUND BRUSH SET		1		
A03	191T96-3	FILTER BAG SET		1		
A04	***DC40RA	DC40RA FAST CHARGER		1		
D10		COMPO-PARTS				
A05	412393-7	BATTERY COVER		1		
A06	191L47-8	BATTERY BL4050F SET		1		

Please state Parts No. when your order.

Print Date 04/02/2024