

Lever handle 19LF half, 8x8mm

Knud Holscher Collection

d line

PRODUCT DATA SHEET

ITEM NUMBER	SURFACE
14.2117.02.900	Satin Stainless Steel
16.2117.01.900	Polished stainless steel

PRODUCT
Lever handle 19LF half, 8x8mm, Oval snap on cover cc 50

PICTURE



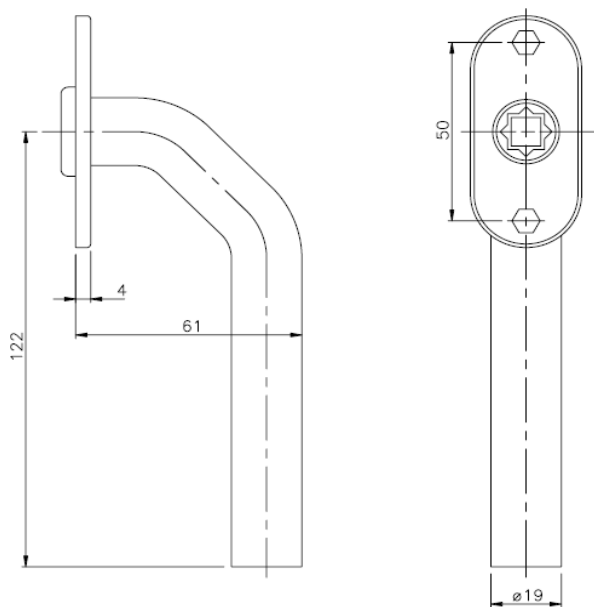
TENDER TEXT

Lever handle 19LF half. Outstanding classic danish design by Knud Holscher. Material: stainless steel AISI 316 satin finish, for 8x8 mm spindle, oval snap on cover cc 50. Radius: Ø19. W:147 mm x H:65 mm x D:61 mm.

PRODUCT SPECIFICATION

Dimensions: W:147 mm x H:65 mm x D:61 mm.
Radius:Ø19
Material: stainless steel AISI 316
Surface finish: satin grain 320, crafted by hand
Warranty for stainless steel (non movable) parts - 20 years

DRAWING



SPARE PARTS / ACCESSORIES:

Wide range of spindles and screws available
14.9701.02.016 Crub screw M5x6,8
14.2935.00.089 Fixing tool f/ball bearing roses

MOUNTING:

See instruction supplied with the product

PACKING:

1pcs in a bag, 10 pcs per box

CERTIFICATES & AWARDS

Tested by EN 1906 standard

PRODUCT CARE

d line products are produced in the highest quality stainless steel, marine grade, AISI 316. To sustain the unique d line finish appearance please follow the below instructions:

- Wash down the surfaces using soapy water or mild detergent
- Always thoroughly rinse off with clean water
- To complete the cleaning procedure dry/polish the surfaces with a soft dry cloth

Please do not use scouring powder, steel wool, chloride based detergents or other aggressive cleaning products as these may damage the surface. If spots or corrosion appear on the surface it is not due to the stainless steel quality, but to impurities in the environment, aggressive conditions or improper or insufficient cleaning.