

Lever handle U

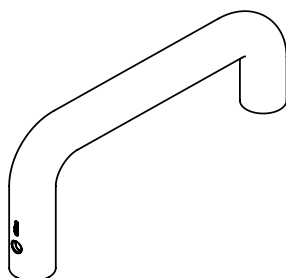
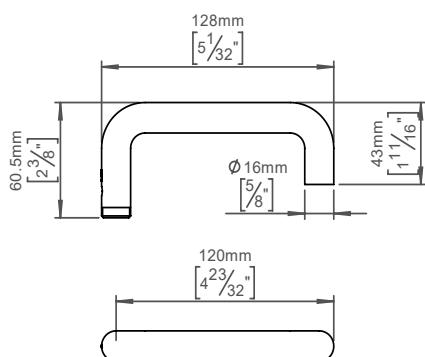
Knud Holscher collection

Product 16U, half, 8x8mm.

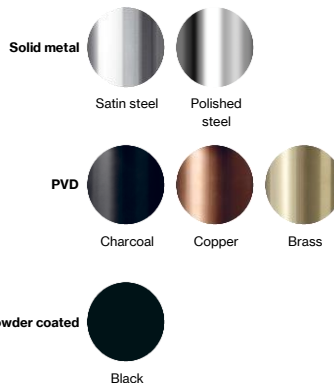
Tender text

Knud Holscher collection, lever handle 16U half, 8x8mm. Manufactured in the highest quality marine grade, AISI 316 stainless steel, protecting against high levels of corrosion. Certified in accordance with EN 1906 to 47-B1140U. 20-year warranty.

Product specification Dimensions: 145x50x58mm
Diameter: Ø16mm
Material: stainless steel AISI 316
Surface finish: satin grain 320, crafted by hand
[20-year warranty \(5 years for coated items\)](#)



Available finishes



Spare parts/ accessories

14970102016 - Grub screw M5x6,8mm
14296174107 - Sectioned bolt set M4x10mm with bush
14281092092 - Spindle for door 33-59mm
14976700105 - TX10 tool kit

Mounting

<https://dline.com/mounting-instructions/>

Product care

d line products are produced in the highest quality marine grade AISI 316 stainless steel. To sustain the unique d line finish please follow the below instructions:

- Wash down the surfaces using soapy water or mild detergent
 - Always thoroughly rinse off with clean water
 - To complete the cleaning procedure dry/polish the surface with a soft dry cloth
- Please do not use scouring powder, steel wool, chloride based detergents or other aggressive cleaning products as these may damage the surface.
- If spots or corrosion appear on the surface it is not due to the stainless steel quality, but to impurities in the environment, aggressive conditions or improper or insufficient cleaning.