

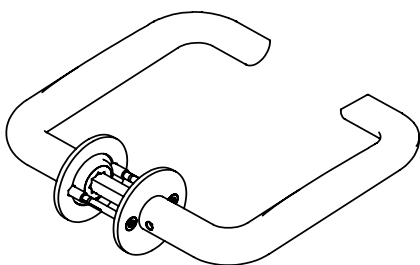
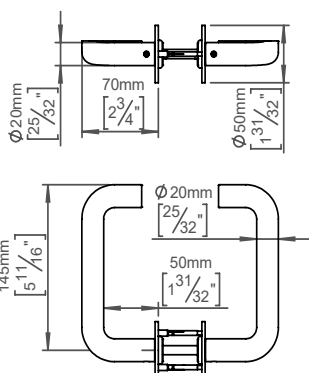
Cut lever handle f/ barrier-free

Cubo collection

Product Solid rose, cc 30mm, 33-59mm, pair.

Tender text Cubo collection, lever handle Cut pair, 8x8mm, solid rose cc 30mm, 33-59mm in satin finished AISI 304 stainless steel. 20-year warranty.

Product specification Dimensions: 170x50x69mm
Diameter: Ø20mm
Material: stainless steel AISI 304
Surface finish: satin finished
[20-year warranty \(5 years for coated items\)](#)



Available finishes



Spare parts/ accessories 14970102019 - Grub screw M5x8,3mm
14296174107 - Sectioned bolt set M4x10mm with bush
14281092092 - Spindle for door 33-59mm
14976700105 - TX10 tool kit

Mounting <https://dline.com/mounting-instructions/>

Product care

d line products are produced in the highest quality AISI 304 stainless steel. To sustain the unique d line finish please follow the below instructions:

- Wash down the surfaces using soapy water or mild detergent
 - Always thoroughly rinse off with clean water
 - To complete the cleaning procedure dry/polish the surface with a soft dry cloth
- Please do not use scouring powder, steel wool, chloride based detergents or other aggressive cleaning products as these may damage the surface.
- If spots or corrosion appear on the surface it is not due to the stainless steel quality, but to impurities in the environment, aggressive conditions or improper or insufficient cleaning.