

Lever handle AJ small

Arne Jacobsen Collection

d line

PRODUCT DATA SHEET

ITEM NUMBER

42.4044.74.030
42.4044.P1.030
42.4044.P2.030
42.4044.P4.030
42.4044.R5.030
42.4044.R6.030
42.4044.R7.030
42.4044.R1.030

SURFACE

Satin Stainless Steel
PVD Gunmetal
PVD Copper
PVD Charcoal
Matt dusty grey, RAL 7037
Matt light grey, RAL 7047
Matt white, RAL 9016
Matt black, RAL 9005

PRODUCT

Lever handle AJ small mm, pair, solid cc 30 mm, 33-59 mm

PICTURE



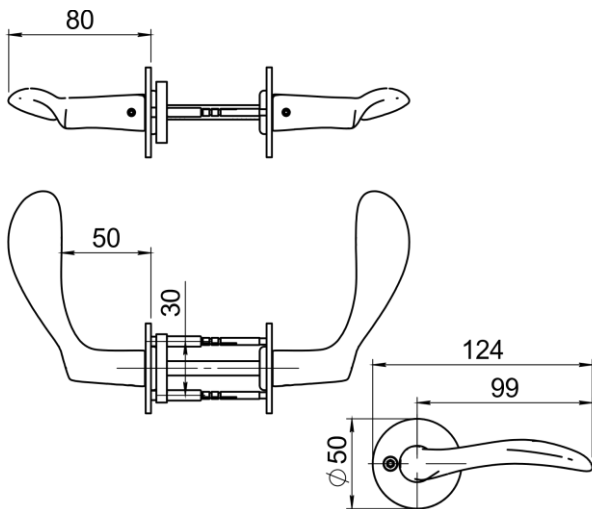
TENDER TEXT

Lever handle by Arne Jacobsen. Iconic, timeless and classically elegant.
Material: stainless steel AISI 304 satin finish, pair solid cc 30 mm, 33-59mm.
W:124 mm x H:50 mm x D:80 mm.

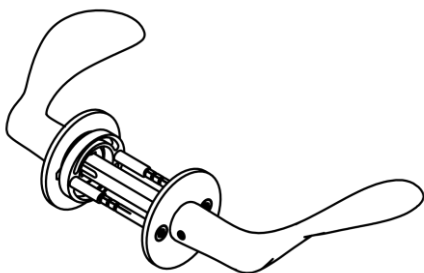
PRODUCT SPECIFICATION

Dimensions: W:124 mm x H:50 mm x D:80 mm.
Material: stainless steel AISI 304
Surface finish: satin grain 320, crafted by hand
Warranty for stainless steel (non movable) parts - 20 years

DRAWING



ISO-DRAWING



SPARE PARTS / ACCESSORIES:

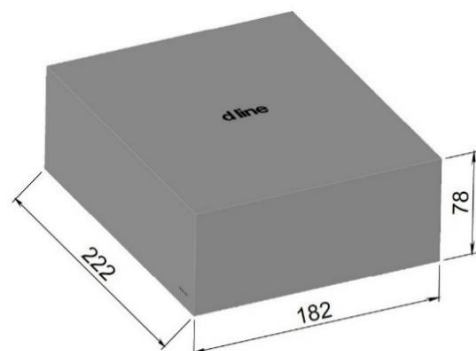
14.2810.92.092 - Spindle 8x8x92
14.9701.02.019 - Grub screw M5x8,3 mmde
P0.0000.00.080 - Sectioned bolt M4 x 100 mm, set

MOUNTING:

See instruction supplied with product.

PACKING:

1 pair per box



CERTIFICATES & AWARDS

Tested and approved to EN1906 Class 4

4	7	-	B1	1	4	0	U
---	---	---	----	---	---	---	---

PRODUCT CARE

To sustain the unique d line finish appearance please follow the below instructions:

- Wash down the surfaces using soapy water or mild detergent
- Always thoroughly rinse off with clean water
- To complete the cleaning procedure dry/polish the surfaces with a soft dry cloth

Please do not use scouring powder, steel wool, chloride based detergents or other aggressive cleaning products as these may damage the surface.

If spots or corrosion appear on the surface it is not due to the stainless steel quality, but to impurities in the environment, aggressive conditions or improper or insufficient cleaning.