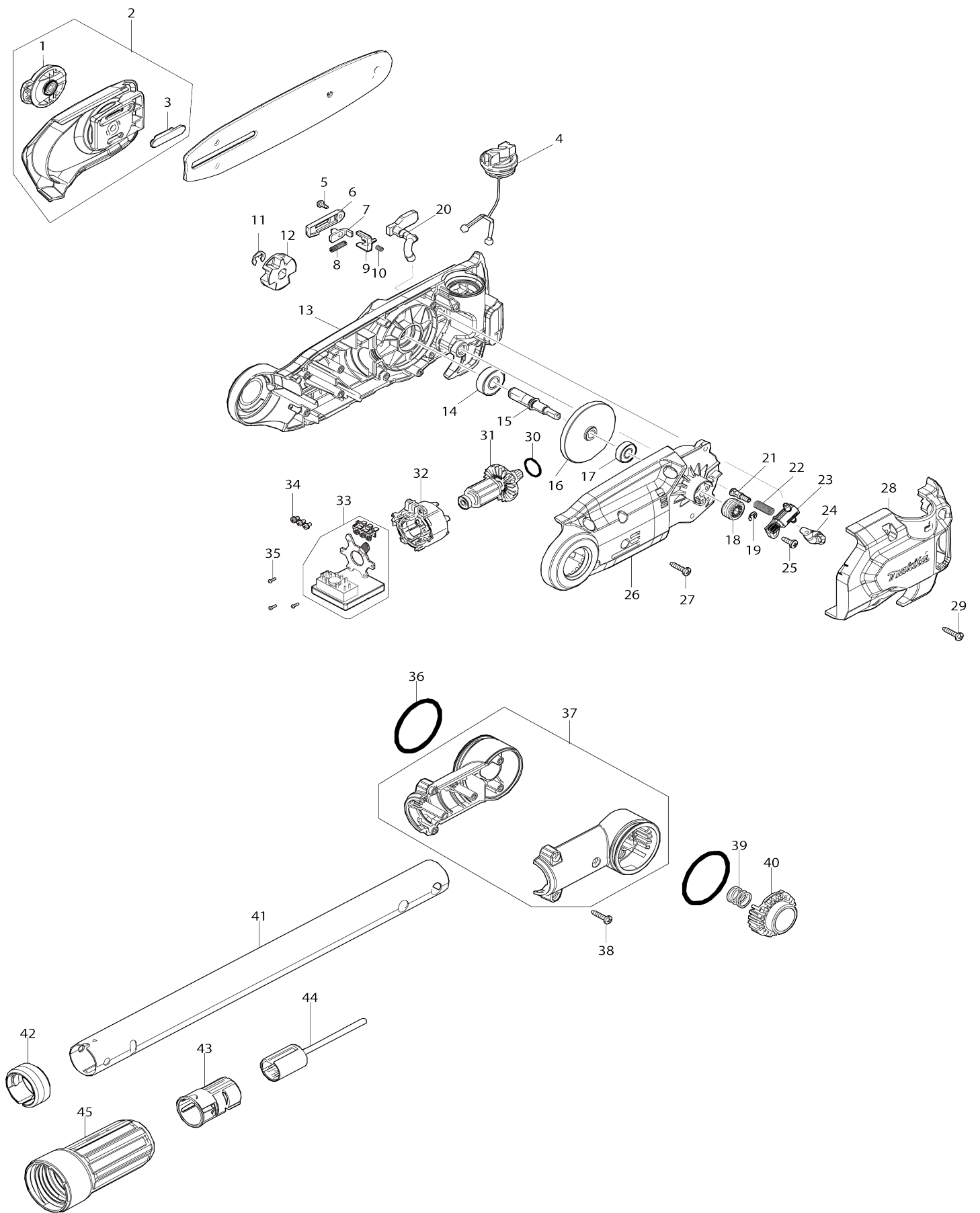
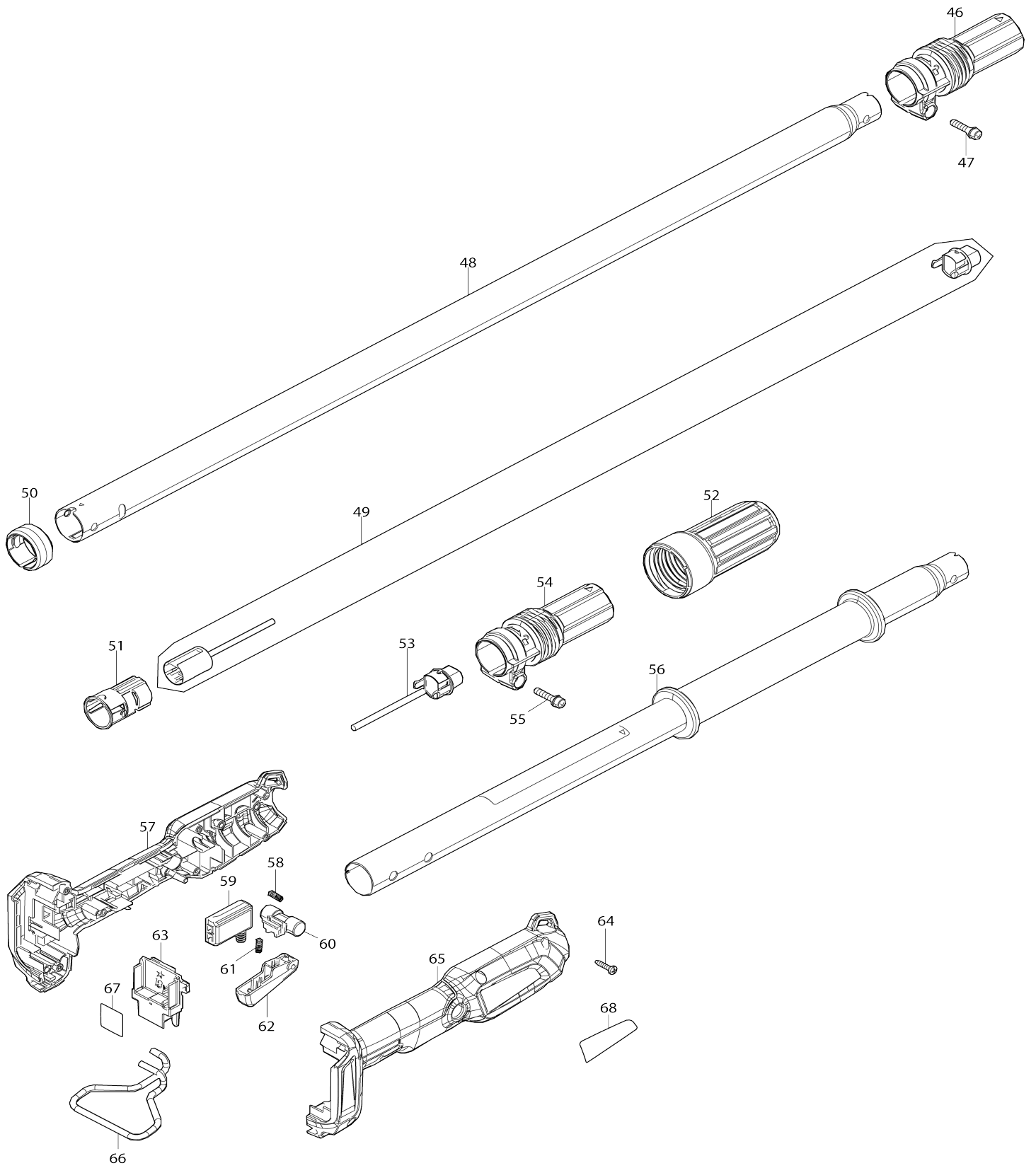


# Model No.DUA200 200MM CORDLESS POLE SAW



# Model No.DUA200 200MM CORDLESS POLE SAW



Model No.DUA200 200MM CORDLESS POLE SAW

Item No.	Parts No.	Description	Interchangability	Q'ty	New/Old	Note1	Note2
001	1410X3-4	NUT COMPLETE		1			
002	137204-2	SPROCKET COVER ASS'Y		1			
D10		INC. 1,3					
003	422833-7	GROMMET		1			
004	162A04-7	TANK CAP COMPLETE		1			
C10	213A11-4	O-RING 25		1			
005	266492-5	TAPPING SCREW 3X8		1			
006	413M03-7	COVER		1			
007	347A69-2	TENSION SLIDE		1			
008	232787-8	COMPRESSION SPRING 4		1			
009	413M02-9	STOPPER		1			
010	233211-4	COMPRESSION SPRING 2		1			
011	961013-5	STOP RING E-7		1			
012	227947-5	SPROCKET 7		1			
013	1830V8-4	HOUSING SET		1			
C10	263005-3	RUBBER PIN 6		4			
D10		INC. 26					
014	210274-7	BALL BEARING 6000DDW		1			
015	327A89-2	SPINDLE		1			
016	227B67-7	SPIRAL BEVEL GEAR 71		1			
017	211166-3	BALL BEARING 698DDW		1			
018	226884-0	WORM GEAR		1			
019	961011-9	STOP RING E-4		1			
020	422B78-9	OIL TUBE 3-67		1			
021	413L02-3	NIPPLE		1			
022	232774-7	COMPRESSION SPRING 6		1			
023	141N25-0	OIL PUMP COMPLETE		1			
024	422969-2	OIL TUBE 3-25		1			
025	266427-6	TAPPING SCREW 4X12		1			
026	1830V8-4	HOUSING SET		1			
C10	263005-3	RUBBER PIN 6		4			
D10		INC. 13					
027	266326-2	TAPPING SCREW 4X18		7			
028	4130P7-3	HOUSING R COVER		1			
029	266326-2	TAPPING SCREW 4X18		4			
030	213A05-9	O-RING16		1			
031	619875-2	ROTOR		1			
032	629B92-8	STATOR		1			
033	620P39-9	CONTROLLER		1			
034	652069-6	FLAT HEAD SCREW M3X6		3			
035	266490-9	TAPPING SCREW PT 2X6		3			
036	213616-4	O RING 48		2			
037	1830X0-4	PIPE HOLDER SET		1			
038	266326-2	TAPPING SCREW 4X18		5			
039	231113-8	COMPRESSION SPRING 12		1			
040	4130P6-5	LOCK OFF BUTTON B		1			
041	327D94-7	PIPE A		1			

042	4130R9-3	PIPE SLEEVE 32		1		
043	687G57-6	RETAINER		1		
044	638B00-8	LEAD UNIT A		1		
045	4130R3-5	LOCK RING		1		
046	4130R4-3	LOCK SCREW		1		
C10	931202-6	HEX. NUT M5		1		
047	922243-3	HEX. SOCKET HEAD BOLT M5X25		1		
048	327D96-3	PIPE C		1		
049	638B02-4	LEAD UNIT C		1		
050	4130R9-3	PIPE SLEEVE 32		1		
051	687G57-6	RETAINER		1		
052	4130R3-5	LOCK RING		1		
053	638B01-6	LEAD UNIT B		1		
054	4130R4-3	LOCK SCREW		1		
C10	931202-6	HEX. NUT M5		1		
055	922243-3	HEX. SOCKET HEAD BOLT M5X25		1		
056	1410F3-8	PIPE B COMPLETE EU		1		
C10	8016N5-5	CAUTION LABEL		1		
057	1830V7-6	GRIP HOUSING SET		1		
C10	263005-3	RUBBER PIN 6		2		
D10		INC. 65				
058	231473-8	COMPRESSION SPRING 4		1	*	
058-1	231469-9	COMPRESSION SPRING 4	<	1		
059	650033-1	SWITCH C3XA-3PSPM-1		1		
060	4130Y0-0	LOCK OFF BUTTON A		1		
061	231473-8	COMPRESSION SPRING 4		1	*	
061-1	231469-9	COMPRESSION SPRING 4	<	1		
062	4130R8-5	SWITCH LEVER		1		
063	643874-2	TERMINAL		1		
064	266326-2	TAPPING SCREW 4X18		7		
065	1830V7-6	GRIP HOUSING SET		1		
C10	263005-3	RUBBER PIN 6		2		
D10		INC. 57				
066	327810-3	BATTERY GUARD		1		
067	8147J6-2	DUA200 SERIAL NO.LABEL		1		
068	8147J4-6	DUA200 NAME PLATE		1		
A01	122D94-0	BAND ASSEMBLY		1		
A02	1914S3-3	GUIDE BAR 8 SET		1		
A03	199897-3	OIL VESSEL SET		1		
A04	413G28-5	GUIDE BAR CASE 210		1	*	
A04-1	413G28-5	GUIDE BAR CASE 210	O	1		
A05	1914S1-7	SAW CHAIN 8 SET		1		
A06	***DC18RC	DC18RC FAST CHARGER		1		
D10		COMPO-PARTS				
A07	197280-8	BATTERY BL1850B SET		1		

Please state Parts No. when your order.

Print Date 09/10/2024