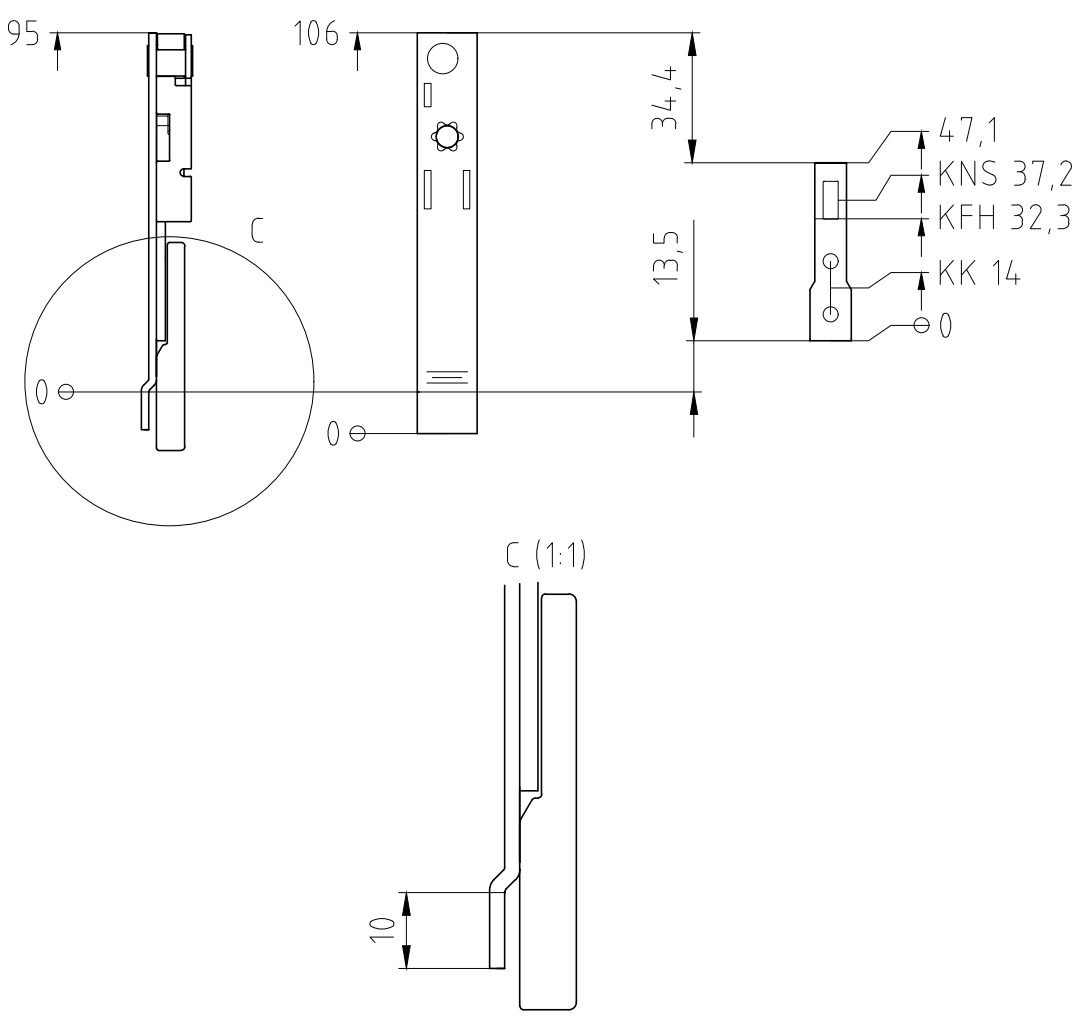


Status "No status (Concept)" = only for R&D  
 Status "Working" = prototype / production preparation  
 Status "Pre-release" = tool ordering / pre-series production

This document is our property and shall not be used for manufacturing or communicated to any other person or company.

Status "Ingen status (Concept)" = endast för R&D  
 Status "Working" = prototyp / produktionsförberedelse  
 Status "Pre-release" = verktygsbeställning / provserie

Denna handling får ej utan vårt medgivande kopieras, delges annan eller på annat sätt obehörigen användas. Överträdelse beivras med stöd av gällande lag.



Lock case	Face plate 15,8x2 1.4016	Rod 11x2,9 C9D EN10139 , Hot-dip galvanized min. 23 my	Surface treatment According to EN1670 grade 3
Drawn by <b>MAJA</b> <b>ASSA ABLOY</b>	<b>ESPAGNOLETTE</b> <b>S1317</b> ----		Projection 
<b>Scandinavia</b> ASSA ABLOY SCANDINAVIA	Date 2012-05-24	Customer	Scale <b>1:2</b> Alternate ID (Item number) S1317 100 6001
Date <b>Approved 2022-05-30</b>		Customer item number	Revision <b>2</b>
		Document ID <b>D000037679</b>	