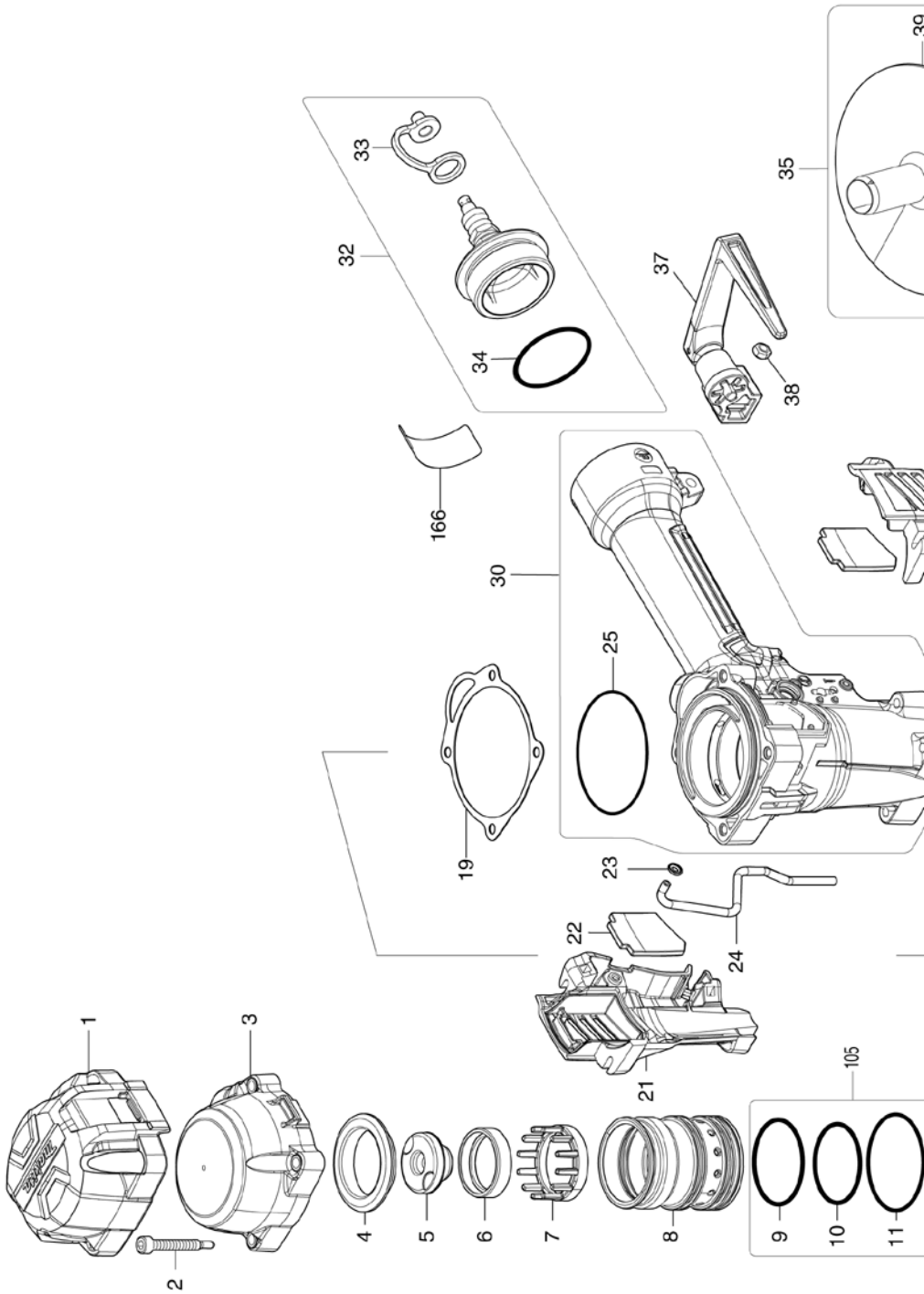
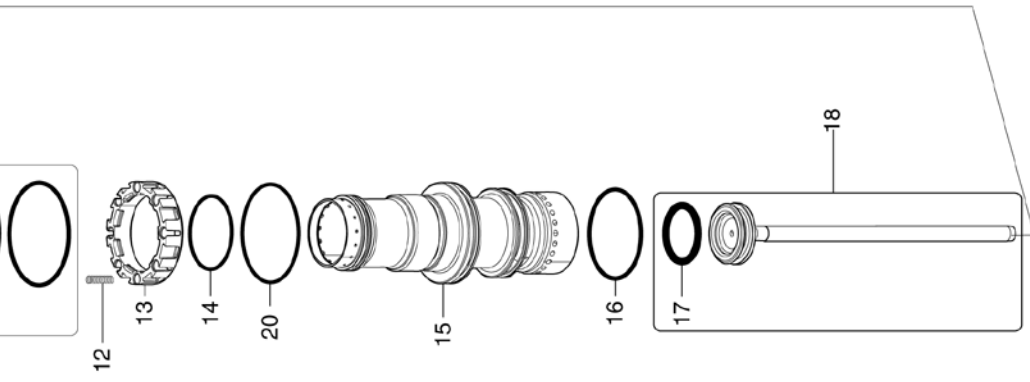
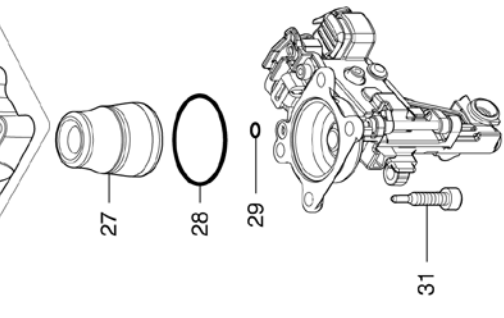
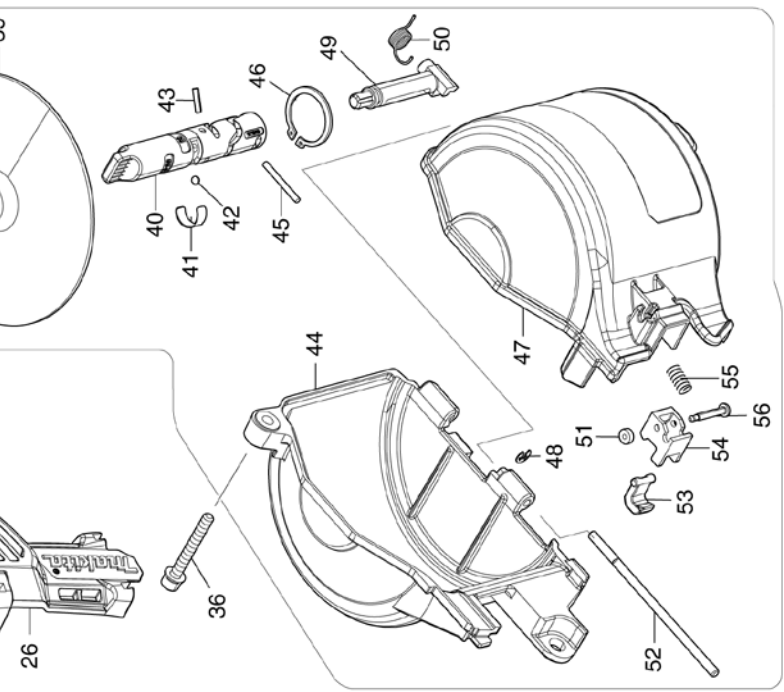




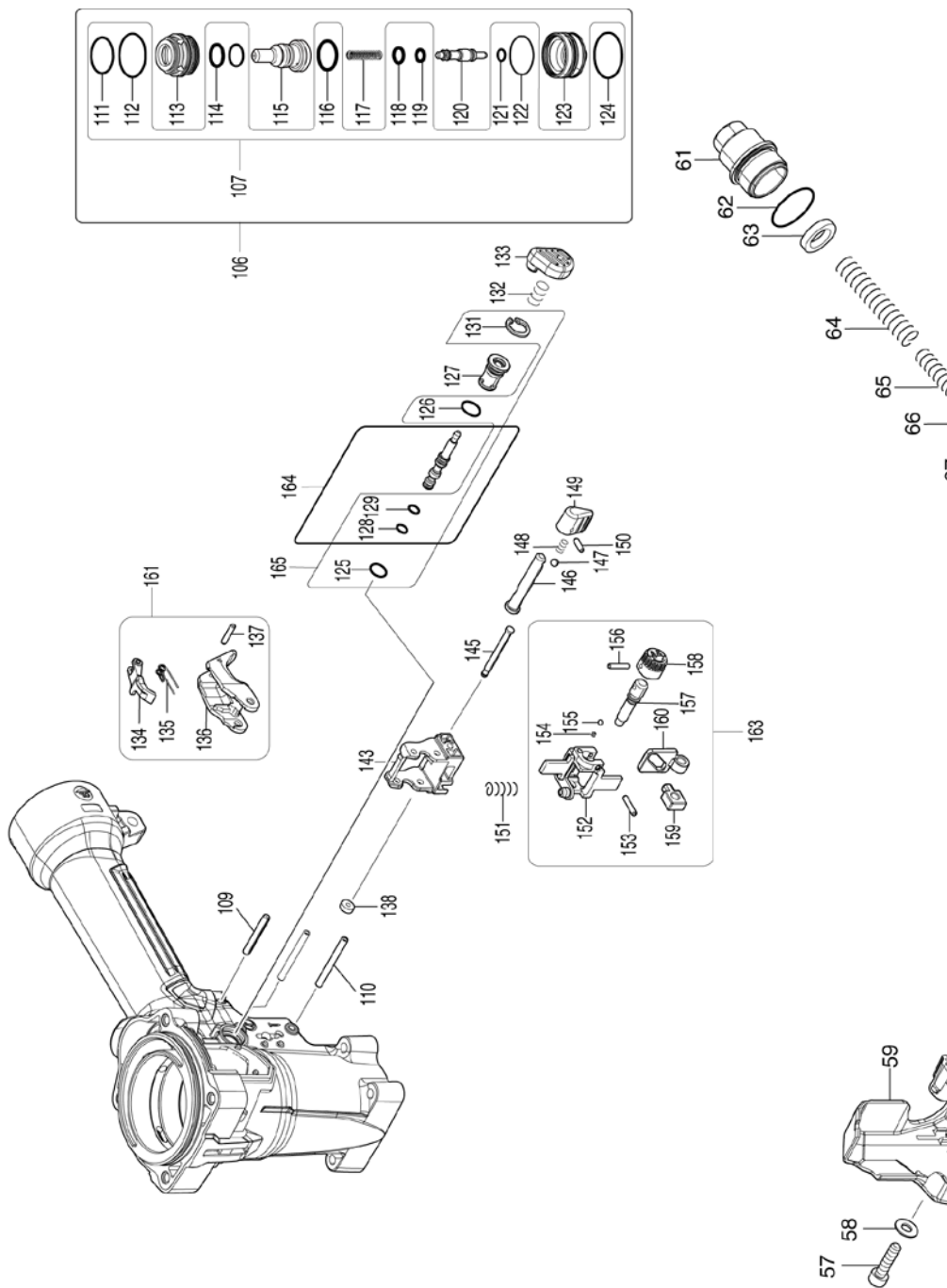
100184 MAKITA AN636H

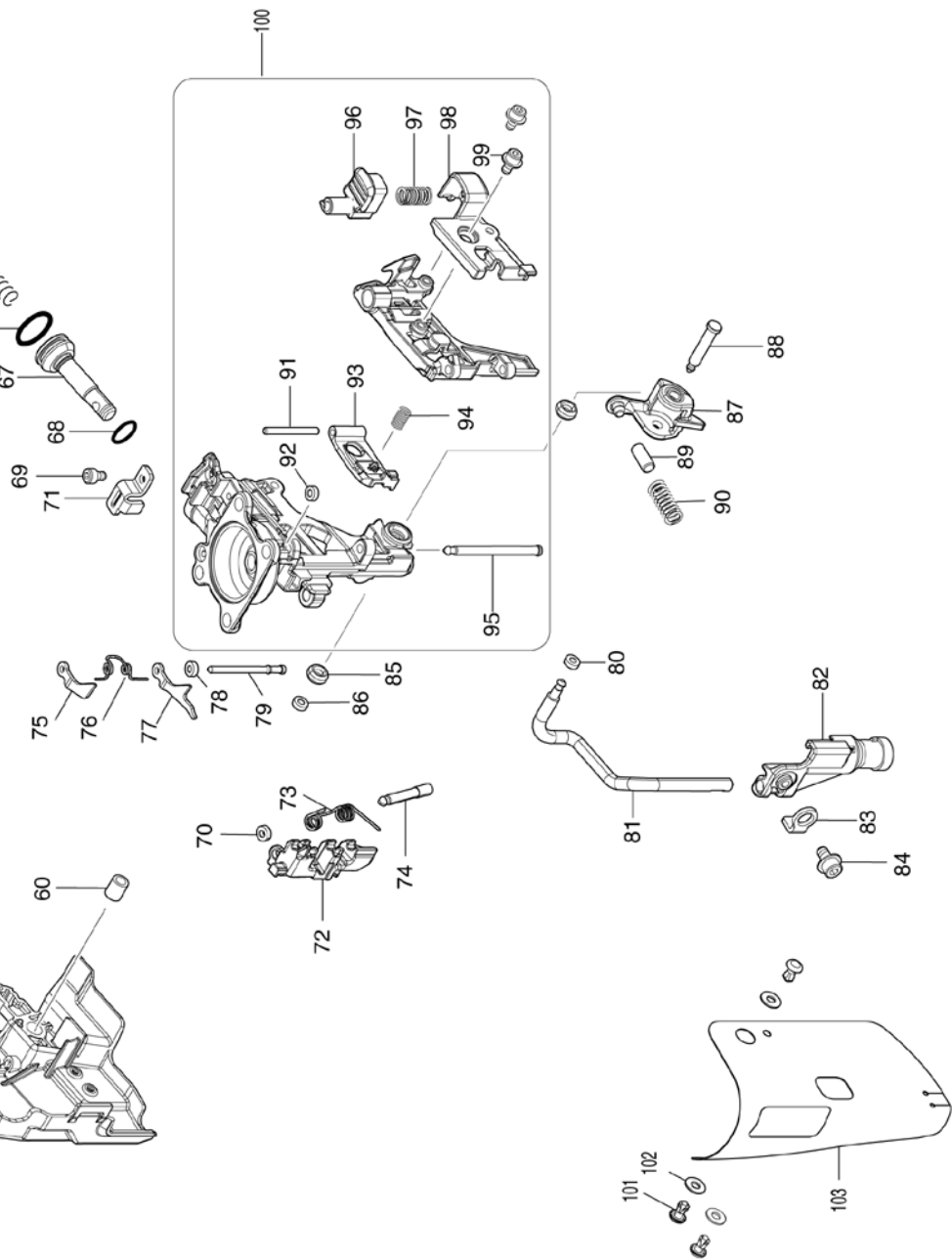
Explode drawing and spare part list





Explode drawing - 100184 Makita AN636H





Spare part list – 100184 Makita AN636H

ITEM NO.	PART NO.	DESCRIPTION
001	422306-0	TOP CAP COVER
002	251576-2	H.S.HEAD BOLT M5X40(SHOULDER)
003	319721-6	TOP CAP
004	422299-1	VALVE SEAT
005	422298-3	REAR CUSHION
006	327151-7	VALVE SEAT GUIDE
007	458633-9	HEAD VALVE GUIDE
008	327152-5	HEAD VALVE
009	213246-1	O-RING 38 SA1004
010	213466-7	O RING 35
011	213558-2	O RING 42
012	232403-2	COMPRESSION SPRING 3
013	458634-7	SPRING GUIDE
014	213990-0	O-RING 31.5
015	327150-9	CYLINDER
016	213475-6	O RING 34
017	213967-5	O-RING 22.5
018	136025-9	DRIVER ASS'Y
019	161909-2	TOP CAP GASKET
020	213558-2	O RING 42
021	458639-7	EXHAUST COVER R
022	422302-8	FILTER
023	213009-5	O RING 4
024	347409-8	DUSTER PIPE
025	213654-6	O RING 60
026	458638-9	EXHAUST COVER L
027	422300-2	FRONT CUSHION
028	213513-4	O RING 39
029	213970-6	O-RING 4
030	136967-7	HOUSING ASSEMBLY
030-1	136027-5	HOUSING SET
031	251575-4	H.S.HEAD BOLT M6X30(SHOULDER)
032	135940-4	INLET CAP ASSY
033	286280-4	CAP 9
034	213506-1	O RING 36
035	136969-3	MAGAGINE ASSEMBLY
036-1	922264-5	HEX. SOCKET HEAD BOLT M5X40
037	136024-1	HOOK ASSEMBLY
038	264008-0	HEX. ROCK NUT M5-8
039	458640-2	CHANGE PLATE
040	456961-6	ADJUST SLEEVE
041	232233-1	LEAF SPRING

ITEM NO.	PART NO.	DESCRIPTION
042	216001-0	STEEL BALL 3.5
043	268166-4	PIN 2.5
044	458622-4	MAGAZINE
045	268167-2	PIN 2.5
046	961105-0	RETAINING RING S-25
047	141S08-0	MAGAZINE CAP COMPLETE
048	259042-3	STOP RING E-3
049	456962-4	ADJUST SHAFT
050	233504-9	TORSION SPRING 8
051	261118-4	URETHANE WASHER
052	256773-5	PIN 4
053	310608-5	LATCH
054	455380-3	LATCH BASE
055	231490-8	COMPRESSION SPRING 5
056	268321-8	PIN 3
057	265973-6	HEX. SOCKET HEAD BOLT M5X20
058	941101-4	FLAT WASHER 5
059	458637-1	CONTACT ARM COVER
060	257666-9	SLEEVE 5
061	327025-2	PISTON CYLINDER
062	213843-3	O-RING 21
063	262186-0	URETHANE RING 12.5
064	233198-0	COMPRESSION SPRING 9
065	233493-8	COMPRESSION SPRING 6
066	213154-6	O RING 14
067	327243-2	PISTON
068	213054-0	O RING 9
069	266199-3	HEX.SOCKET HEAD BOLT M4X6
070	262187-8	URETHANE RING 3
071	347282-6	UPPER YOKE HOLDER
072	310893-0	FEEDING CLAW
073	232461-8	TORSION SPRING 6
074	268165-6	PIN 4.5
075	346287-3	CHECK CLAW
076	233569-1	TORSION SPRING 4
077	346271-8	FRONT CHECK CLAW
078	262187-8	URETHANE RING 3
079	256517-3	PIN 3
080	262187-8	URETHANE RING 3
081	347410-3	CONTACT ARM
082	310894-8	CONTACT TOP
083	347054-9	CONTACT TOP STOPPER
084	266912-9	HEX. SOCKET HEAD BOLT M5X10

ITEM NO.	PART NO.	DESCRIPTION
085	262162-4	URETHANE RING 5
086	262187-8	URETHANE RING 3
087	310726-9	NAIL GUIDE
088	256322-8	FLAT FILLISTER PIN 5
089	263040-1	RUBBER PIN 6
090	232307-8	COMPRESSION SPRING 6
091	268182-6	PIN 3
092	262187-8	URETHANE RING 3
093	310425-3	SHEET HOLDER
094	234184-4	COMPRESSION SPRING 5
095	268026-0	PIN 4
096	161772-3	LOCK LEVER
097	234312-1	COMPRESSION SPRING 7
098	456886-4	DOOR COVER
099	266831-9	HEX SOCKET HEAD BOLT M4X8
100	127136-1	DRIVER GUIDE ASSY
101	255174-4	PUSH RIVET
102	941051-3	FLAT WASHER 4
103	422305-2	COVER
105	199461-0	REPAIR KIT FOR EXHAUST HOLE
106	136008-9	TRIGGER VALVE ASSY
107	199389-2	REPAIR KIT FOR TRIGGER
109	258037-3	SPRING PIN 3-26
110	951078-5	SPRING PIN 3-32
111	213233-0	O-RING 15
112	213275-4	O RING 18
113	327194-9	TRIGGER VALVE GUIDE
114	213968-3	O-RING 7
115	326763-3	PILOT VALVE
116	213185-5	O-RING 12.5
117	234188-6	COMPRESSION SPRING 3
118	213771-2	O-RING 6
119-3	213A17-2	O-RING 3
120	326476-6	TRIGGER VALVE STEM
121	213640-7	O-RING 3
122	213087-5	O-RING 16.5
123	326765-9	TRIGGER VALVE CASE
124	213310-8	O RING 20
125-1	213900-7	O-RING 5.5
126	213026-5	O RING 7
127	327024-4	DUSTER VALVE GUIDE
128	213034-6	O RING 3
129-1	213587-5	O RING 3

ITEM NO.	PART NO.	DESCRIPTION
131	962052-8	RETAINING RING R-12
132	234010-7	COMPRESSION SPRING 5
133	422210-3	DUSTER SWITCH
134	310601-9	IDLER C
135	233570-6	TORSION SPRING 3
136	310762-5	TRIGGER S
137	951007-8	SPRING PIN 2-12
138	261118-4	URETHANE WASHER
143	454311-9	TRIGGER BASE
145	268262-8	PIN 3
146	325928-4	LOCK PIN 6A
147	216001-0	STEEL BALL 3.5
148	232417-1	COMPRESSION SPRING 3
149	451953-0	LEVER 6
150	951001-0	SPRING PIN 2-8
151	233265-1	COMPRESSION SPRING 5
152	310878-6	UPPER YOKE B
153	951007-8	SPRING PIN 2-12
154	234308-2	COMPRESSION SPRING 2
155	216031-1	STEEL BALL 2.3
156	951007-8	SPRING PIN 2-12
157	326267-5	ADJUSTER SHAFT
158	454312-7	ADJUSTER
159	310540-3	ADJUSTER PIECE
160	310651-4	SLIDE PLATE
161	135832-7	TRIGGER ASSY S
163	135944-6	ADJUSTER ASS'Y
164	135912-9	DUSTER VALVE STEM ASSY
165	198895-4	REPAIR KIT FOR DUSTER
166	8140C8-7	AN636H NAME PLATE



KYOCERA UNIMERCO Fastening A/S
Drejervej 2
DK-7451 Sunds
Tlf. +45 97 14 14 40
Fax +45 97 14 14 86
tjep@kyocera-unimerco.com