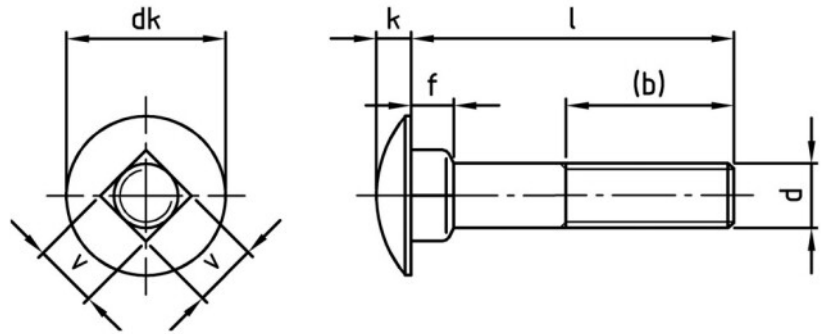


DIN 603 A4

Mushroom head square neck bolts, partial thread



TECHNISCHE DATEN

| | | |
|----------|--------------------|-----------|
| Art.-Nr. | Item Number | 060348 40 |
| VPE | Number per package | 100 |
| | Materials | A4 |
| d | Diameter | 8 mm |
| l | Total length | 40 mm |
| b | Thread length | 22 mm |
| dk | Diameter of head | 20.65 mm |
| k | Height of head | 4.88 mm |
| v | Measurement v | 8.58 mm |
| f | Square height | 5.6 mm |

Product benefits

USES

Area of use

Machine construction
Metal construction

FEATURES

Material

Stainless steel A4
Austenitic stainless and anti-corrosion special-grade steel for use in damp rooms and outdoor applications, including industrial atmospheres and in coastal areas.

