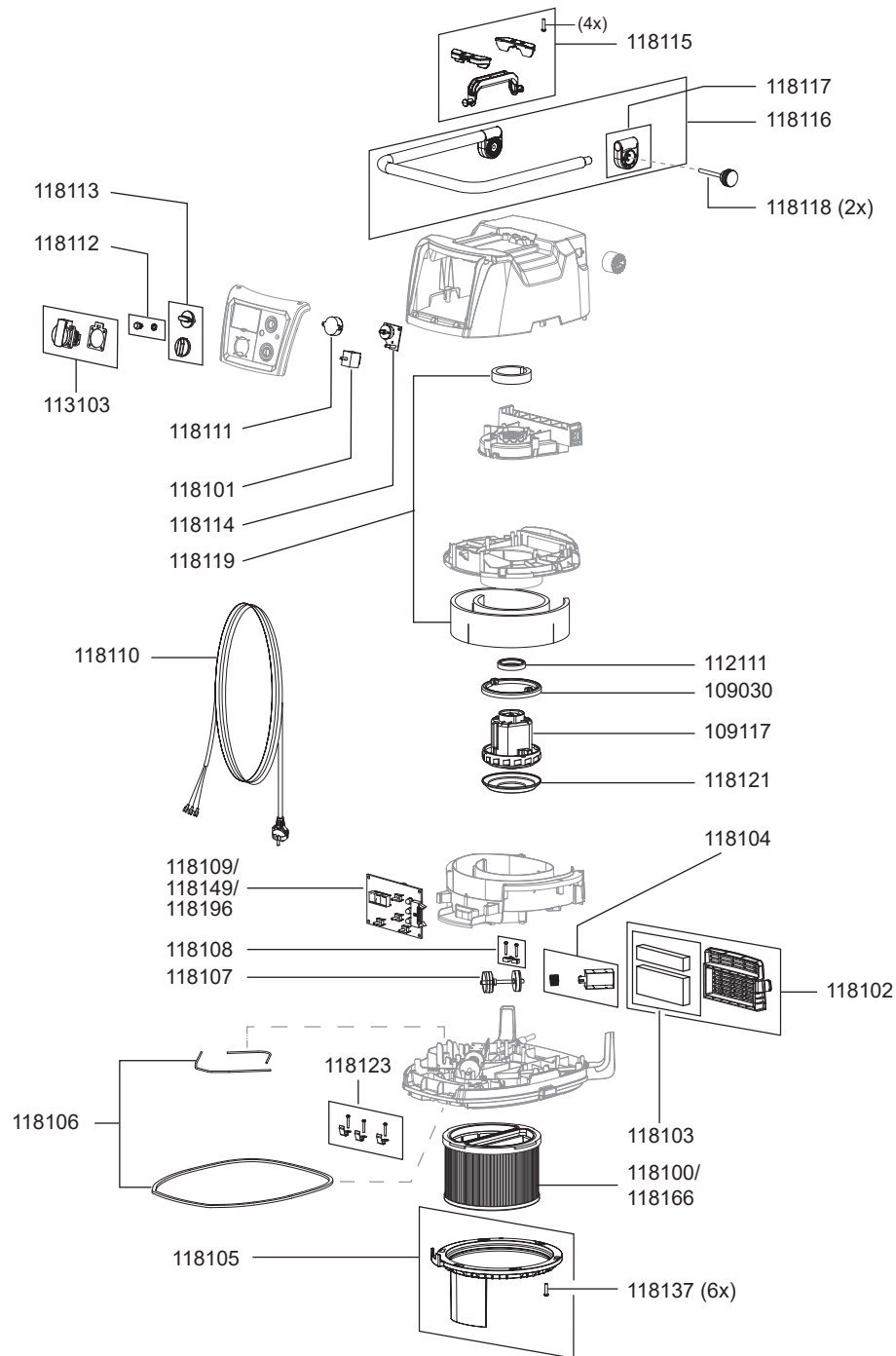


CRAFTIX 35 L/M/H + 50 L/M/H

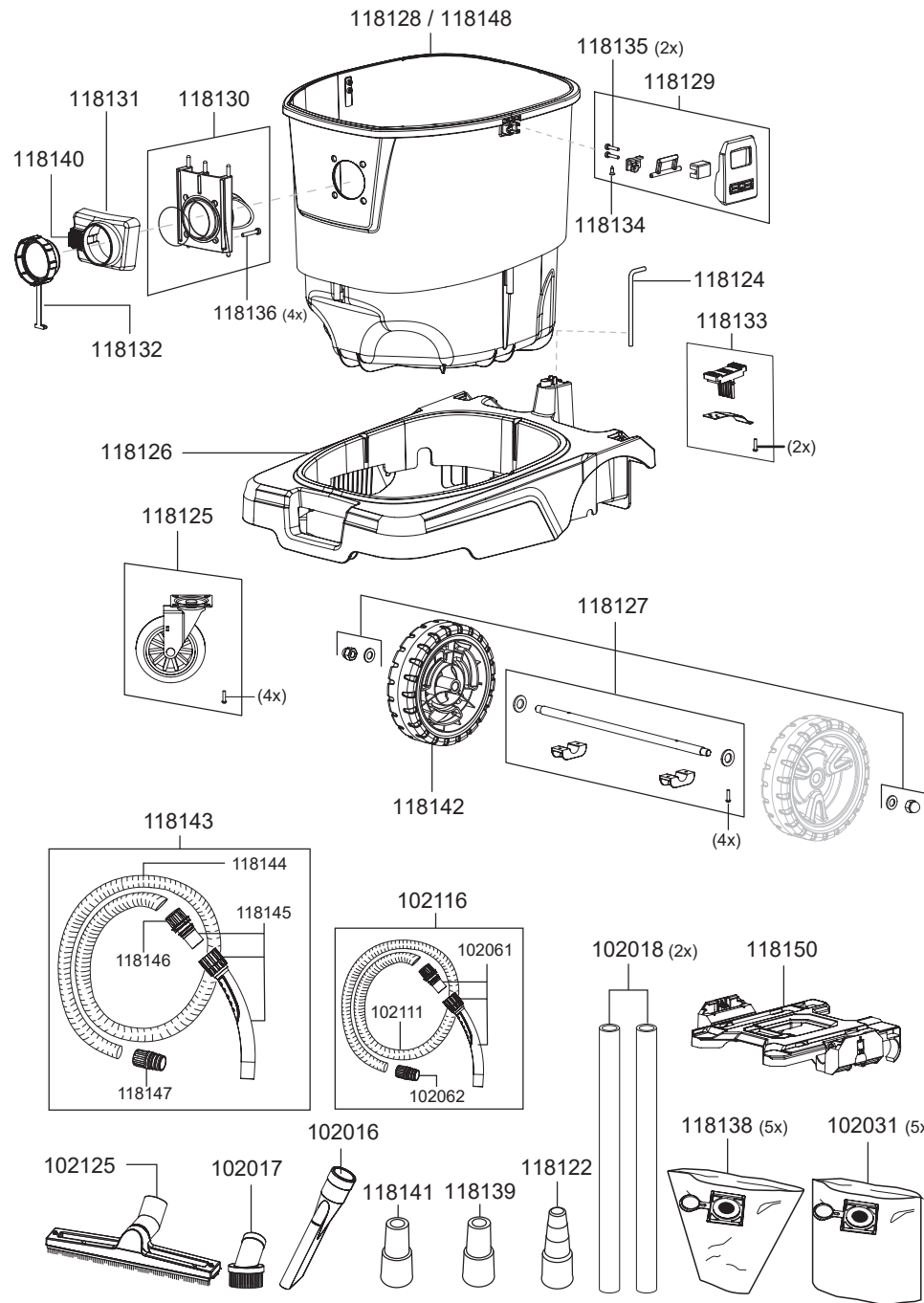


item no. description

spare parts safety vacuum cleaners Craftix 35 M/L + 50 M/L

109117	vacuum motor, 1300 Watt
109030	motor bearing top
112111	gasket ring for vacuum motor
113103	IP54 socket
118100	filter cartridge, HEPA 13
118101	switch, electrical
118102	exit air housing
118103	filter sponge
118104	magnet valve
118105	filter ring incl. screws
118106	seal set
118107	valve
118108	strain relief strap
118109	power electronics M
118110	power cord, 10m, black
118111	horn
118112	button filter cleaning
118113	switch set
118114	selection switch
118115	handle
118116	pushbar
118117	assembly kit for pushbar
118118	fixation screw for pushbar
118119	filter sponge set
118121	motor bearing bottom
118123	water stop connection
118136	screw, St 4.9x30 ss
118137	screw, M6 x 27, filter ring
118149	power electronics L
118166	filter cartridge, HEPA 14 (H Model)
118196	power electronics H

CRAFTIX 35 L/M/H + 50 L/M/H



item no. description

spare parts safety vacuum cleaners CraftiX 35 M/L + 50 M/L

102016	crevice nozzle, D38, 240 mm
102017	furniture nozzle, D38
102018	vacuum tube, D38, stainless steel
102031	fleece filter bag (VE=5 pcs.)
102061	handle with hose connector D38, antistatic
102062	hose connector for container D38, antistatic
102116	vacuum hose with handle for container D38, 3m, antistatic
102125	dry floor nozzle, D38, 450mm, with parking hook
118122	electro tool adapter D21/25/32
118124	Torx key T30
118125	castor, D100
118126	chassis
118127	wheel axis
118128	container 35 litres
118129	latch
118130	adapter for filter bag
118131	coupling housing, hose
118132	container latch
118133	brake kit
118134	screw, St 3.9x12 ss
118135	screw, St 3.9x20 ss
118136	screw, St 4.9x30
118139	electro tool adapter antistatic D35
118140	button set
118141	electro tool adapter D38
118142	wheel
118143	vacuum hose D35 with handle for container D38, 5m, antistatic
118145	handle D38 with hose connector D35, antistatic
118146	hose connector D35 for handle D38, antistatic
118147	hose connector D35 for container D38, antistat.
118148	container 50 litres

accessory safety vacuum cleaners CraftiX 35 M/L + 50 M/L

102031	fleece filter bag (VE=5 pcs.)
102111	vacuum hose per meter, D38, antist., oil resist.
102124	wet floor nozzle, D38, 450mm, with parking hook
102126	spare lip set 450mm for 102124
102127	set of brush strips 450mm for 102125
118100	HEPA 13 filter cartridge
118138	waste bag (VE=5 pcs.)
118144	vacuum hose per meter, D35, antist., oil resist.
118150	adapter plate
118159	vacuum hose D32 with handle D38 for cont. D38,2,5m