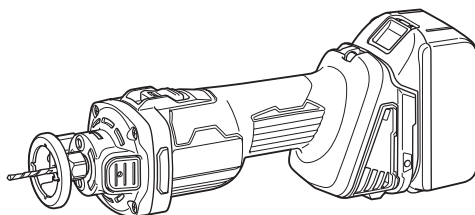
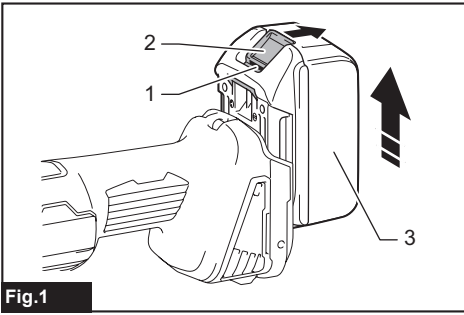




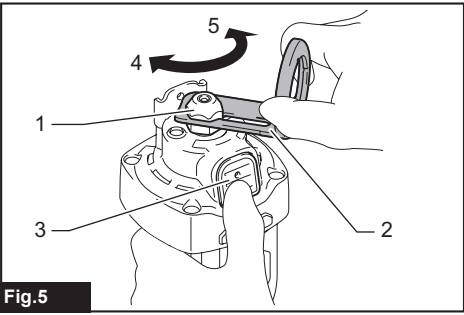
<b>EN</b>	Cordless Cut-Out Tool	INSTRUCTION MANUAL	7
<b>PL</b>	Frezarko-Wycinarka Akumulatorowa	INSTRUKCJA OBSŁUGI	17
<b>HU</b>	Vezeték nélküli kivágógép	HASZNÁLATI KÉZIKÖNYV	28
<b>SK</b>	Akumulátorová priama fréza	NÁVOD NA OBSLUHU	38
<b>CS</b>	Akumulátorová rotační fréza	NÁVOD K OBSLUZE	48
<b>UK</b>	Акумуляторний різальний інструмент	ІНСТРУКЦІЯ З ЕКСПЛУАТАЦІЇ	58
<b>RO</b>	Mașină de tăiere cu acumulator	MANUAL DE INSTRUCȚIUNI	69
<b>DE</b>	Akku-Rotationsschneider	BETRIEBSANLEITUNG	80

## DCO181

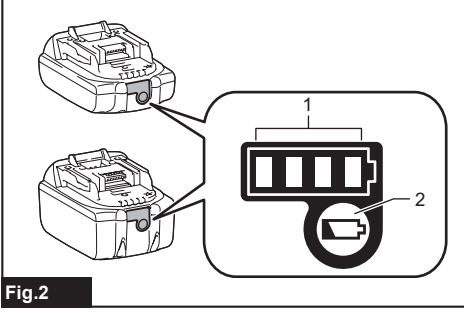




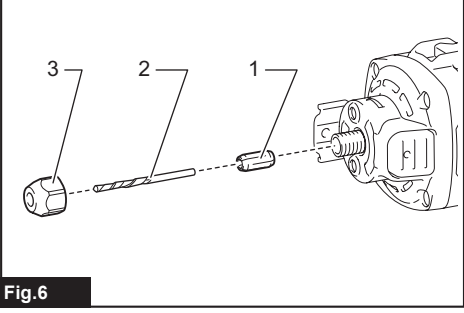
**Fig.1**



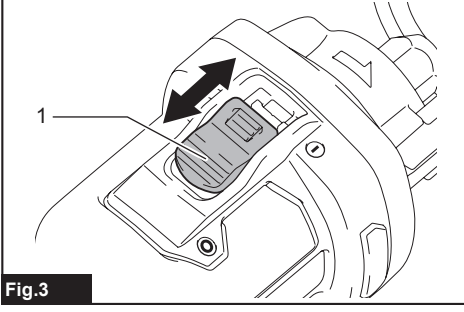
**Fig.5**



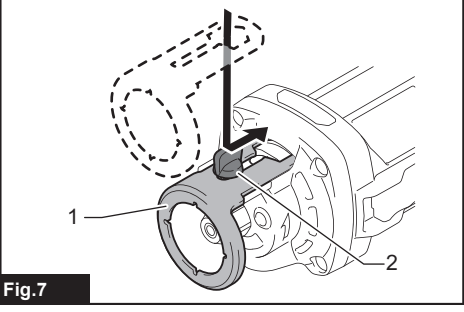
**Fig.2**



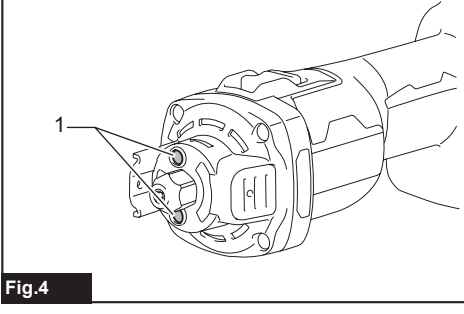
**Fig.6**



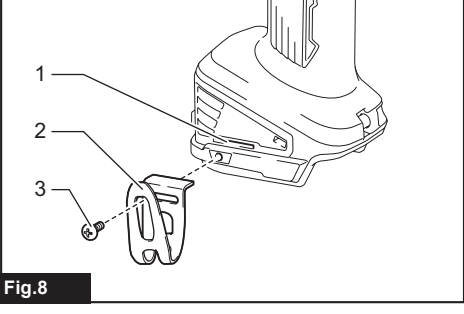
**Fig.3**



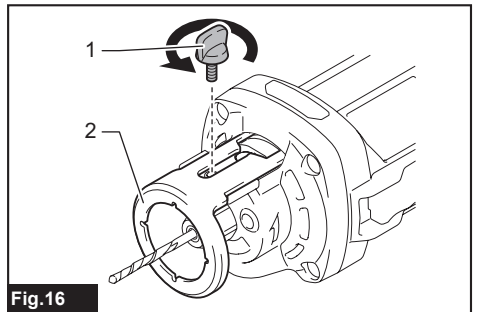
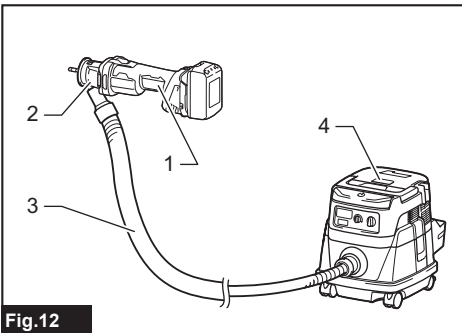
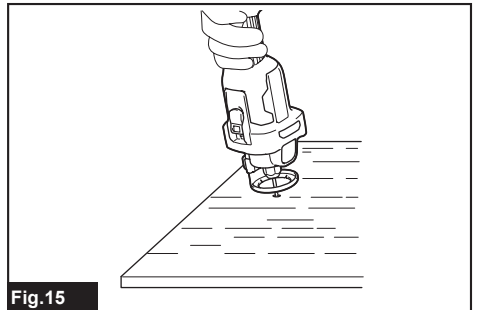
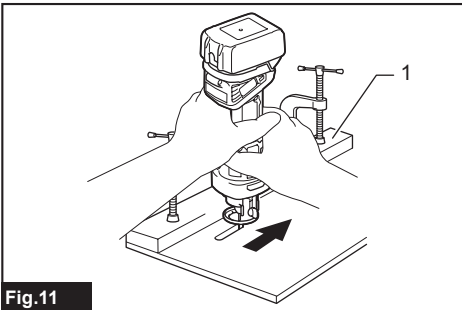
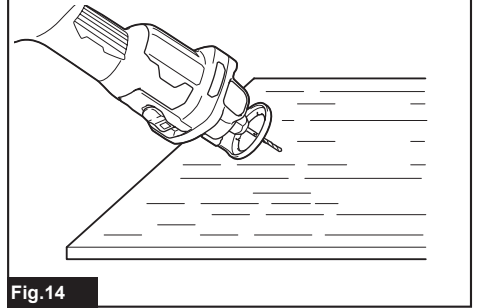
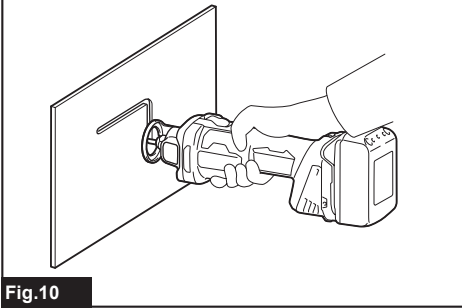
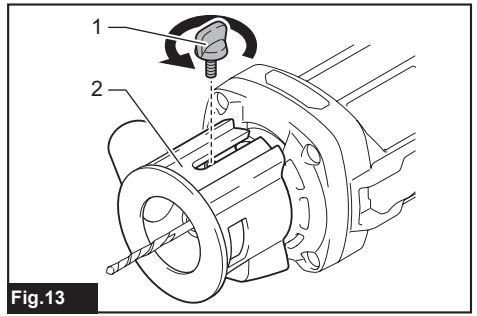
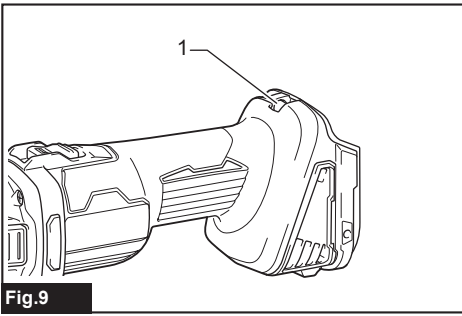
**Fig.7**



**Fig.4**



**Fig.8**



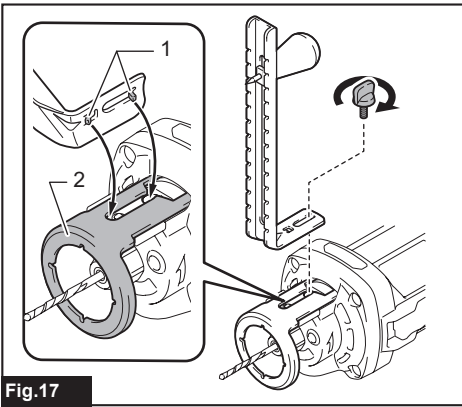


Fig.17

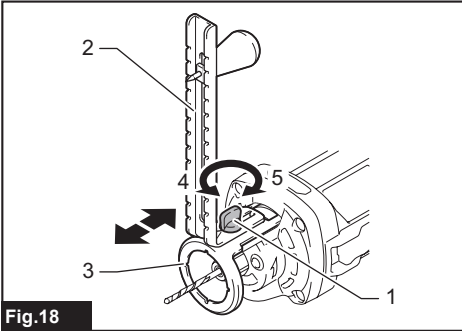


Fig.18

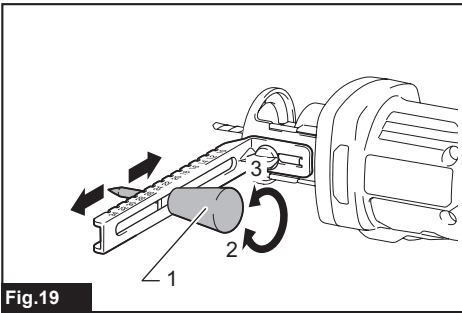


Fig.19

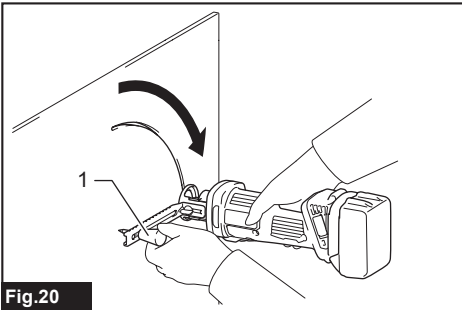


Fig.20

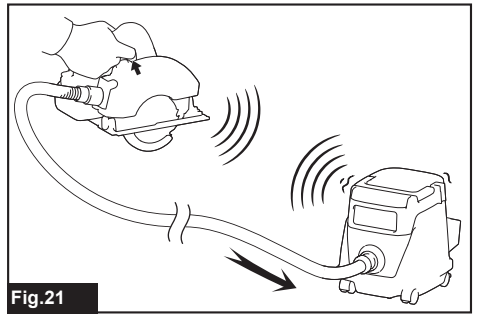


Fig.21

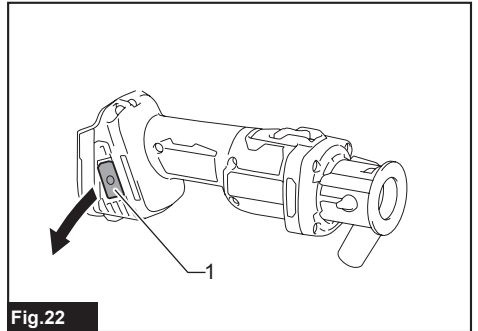


Fig.22

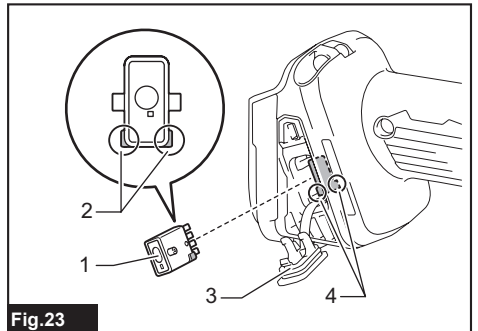


Fig.23

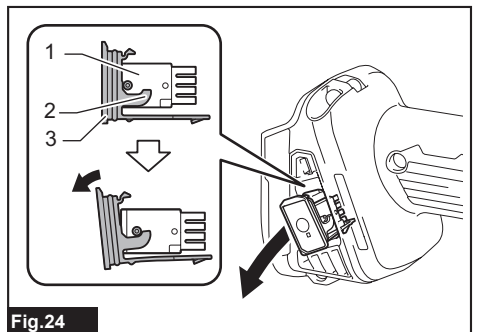
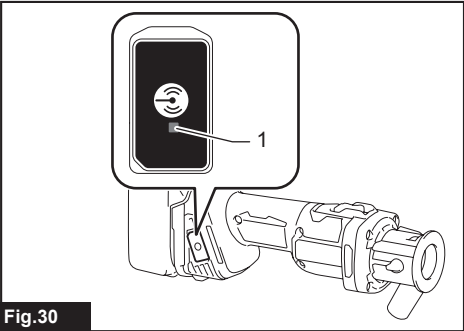
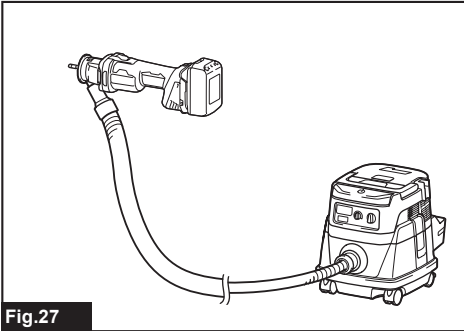
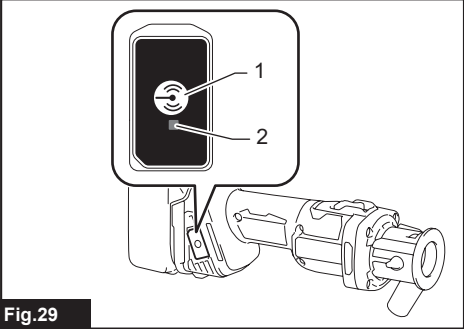
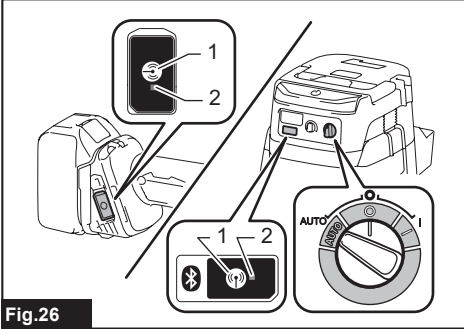
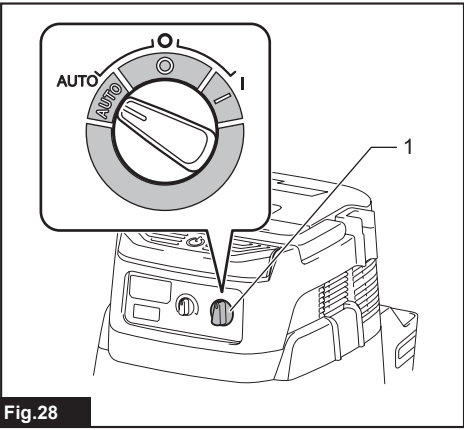
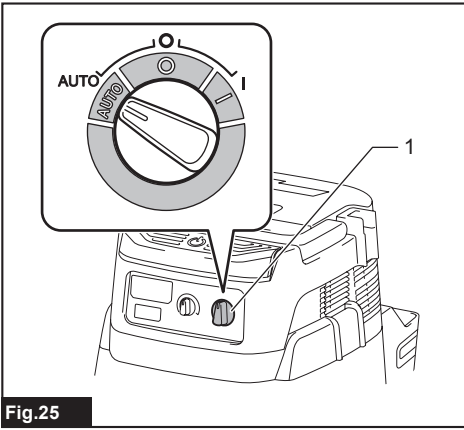


Fig.24



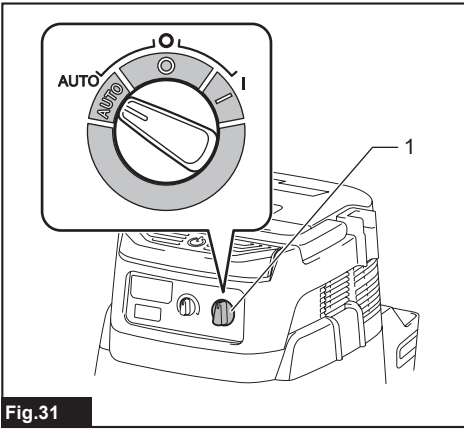


Fig.31

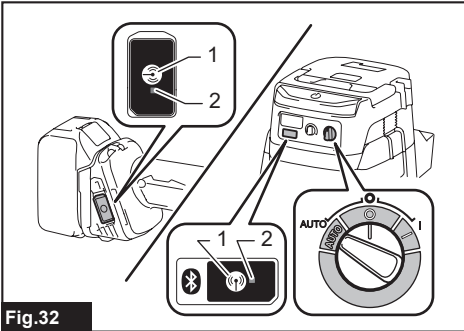


Fig.32

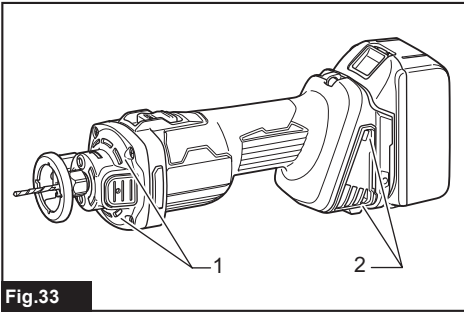


Fig.33

## SPECIFICATIONS

<b>Model:</b>		<b>DCO181</b>
Collet chuck capacity		3.0 mm, 3.18 mm, 6.0 mm, 6.35 mm
No load speed		32,000 min <sup>-1</sup>
Overall length	with BL1820B	293 mm
	with BL1860B	311 mm
Rated voltage		D.C. 18 V
Net weight		1.4 - 1.7 kg

- Due to our continuing program of research and development, the specifications herein are subject to change without notice.
- Specifications and battery cartridge may differ from country to country.
- The weight may differ depending on the attachment(s), including the battery cartridge. The lightest and heaviest combinations, according to EPTA-Procedure 01/2014, are shown in the table.

### Applicable battery cartridge and charger

Battery cartridge	BL1815N / BL1820 / BL1820B / BL1830 / BL1830B / BL1840 / BL1840B / BL1850 / BL1850B / BL1860B
Charger	DC18RC / DC18RD / DC18RE / DC18SD / DC18SE / DC18SF / DC18SH

- Some of the battery cartridges and chargers listed above may not be available depending on your region of residence.

**⚠ WARNING:** Only use the battery cartridges and chargers listed above. Use of any other battery cartridges and chargers may cause injury and/or fire.

### Intended use

The tool is intended for flush trimming and profiling of wood, plastic and similar materials.

### Noise

The typical A-weighted noise level determined according to EN62841-2-17:

Sound pressure level ( $L_{pA}$ ) : 78 dB(A)

Uncertainty (K) : 3 dB(A)

The noise level under working may exceed 80 dB (A).

**NOTE:** The declared noise emission value(s) has been measured in accordance with a standard test method and may be used for comparing one tool with another.

**NOTE:** The declared noise emission value(s) may also be used in a preliminary assessment of exposure.

**⚠ WARNING:** Wear ear protection.

**⚠ WARNING:** The noise emission during actual use of the power tool can differ from the declared value(s) depending on the ways in which the tool is used especially what kind of workpiece is processed.

**⚠ WARNING:** Be sure to identify safety measures to protect the operator that are based on an estimation of exposure in the actual conditions of use (taking account of all parts of the operating cycle such as the times when the tool is switched off and when it is running idle in addition to the trigger time).

### Vibration

The vibration total value (tri-axial vector sum) determined according to EN62841-2-17:

Work mode: rotation without load

Vibration emission ( $a_h$ ) : 2.5 m/s<sup>2</sup> or less

Uncertainty (K) : 1.5 m/s<sup>2</sup>

**NOTE:** The declared vibration total value(s) has been measured in accordance with a standard test method and may be used for comparing one tool with another.

**NOTE:** The declared vibration total value(s) may also be used in a preliminary assessment of exposure.

**⚠ WARNING:** The vibration emission during actual use of the power tool can differ from the declared value(s) depending on the ways in which the tool is used especially what kind of workpiece is processed.

**⚠ WARNING:** Be sure to identify safety measures to protect the operator that are based on an estimation of exposure in the actual conditions of use (taking account of all parts of the operating cycle such as the times when the tool is switched off and when it is running idle in addition to the trigger time).

### EC Declaration of Conformity

*For European countries only*

The EC declaration of conformity is included as Annex A to this instruction manual.

# SAFETY WARNINGS

## General power tool safety warnings

**⚠WARNING:** Read all safety warnings, instructions, illustrations and specifications provided with this power tool. Failure to follow all instructions listed below may result in electric shock, fire and/or serious injury.

## Save all warnings and instructions for future reference.

The term "power tool" in the warnings refers to your mains-operated (corded) power tool or battery-operated (cordless) power tool.

## Cordless cut-out tool safety warnings

1. Hold power tool by insulated gripping surfaces, when performing an operation where the cutting accessory may contact hidden wiring. Cutting accessory contacting a "live" wire may make exposed metal parts of the power tool "live" and could give the operator an electric shock.
2. Use clamps or another practical way to secure and support the workpiece to a stable platform. Holding the work by your hand or against the body leaves it unstable and may lead to loss of control.
3. Wear eye protection and dust mask.
4. Ventilate your work area adequately.
5. Check the bit carefully for cracks or damage before operation. Replace cracked or damaged bit immediately.
6. Check for the proper clearance beneath the workpiece before cutting so that the bit will not strike a hard surface such as the floor, workbench, etc.
7. Do not cut metal objects such as nails and screws. Inspect for and remove all nails, screws and other foreign material from the workpiece before operation.
8. Check that the bit is not contacting the workpiece before the switch is turned on. Always hold the tool with two hands while switching the tool on. The motor torque can cause the tool to turn.
9. Before using the tool on an actual workpiece, let it run for a while. Watch for vibration or wobbling that could indicate improperly installed bit.
10. Make sure that the shaft lock is released before the switch is turned on.
11. Always use with the shoe securely attached to the tool and positioned flat and firmly against the workpiece.
12. Hold the tool firmly.
13. Do not perform any operation using your hands to support or guide the workpiece.
14. Keep hands away from moving parts.
15. Do not use this tool for drilling.

16. Do not leave the tool running. Operate the tool only when hand-held.
17. Always switch off and wait for the bit to come to a complete stop before removing the bit from workpiece.
18. Do not touch the bit or the workpiece immediately after operation; they may be extremely hot and could burn your skin.
19. Draw attention to the need to use cutters of the correct shank diameter and which are suitable for the speed of the tool.
20. Place the tool on a flat and stable surface. Otherwise falling accident may occur and cause a personal injury.

## SAVE THESE INSTRUCTIONS.

**⚠WARNING:** DO NOT let comfort or familiarity with product (gained from repeated use) replace strict adherence to safety rules for the subject product. MISUSE or failure to follow the safety rules stated in this instruction manual may cause serious personal injury.

## Important safety instructions for battery cartridge

1. Before using battery cartridge, read all instructions and cautionary markings on (1) battery charger, (2) battery, and (3) product using battery.
2. Do not disassemble or tamper the battery cartridge. It may result in a fire, excessive heat, or explosion.
3. If operating time has become excessively shorter, stop operating immediately. It may result in a risk of overheating, possible burns and even an explosion.
4. If electrolyte gets into your eyes, rinse them out with clear water and seek medical attention right away. It may result in loss of your eyesight.
5. Do not short the battery cartridge:
  - (1) Do not touch the terminals with any conductive material.
  - (2) Avoid storing battery cartridge in a container with other metal objects such as nails, coins, etc.
  - (3) Do not expose battery cartridge to water or rain.A battery short can cause a large current flow, overheating, possible burns and even a breakdown.
6. Do not store and use the tool and battery cartridge in locations where the temperature may reach or exceed 50 °C (122 °F).
7. Do not incinerate the battery cartridge even if it is severely damaged or is completely worn out. The battery cartridge can explode in a fire.
8. Do not nail, cut, crush, throw, drop the battery cartridge, or hit against a hard object to the battery cartridge. Such conduct may result in a fire, excessive heat, or explosion.
9. Do not use a damaged battery.



10. **The contained lithium-ion batteries are subject to the Dangerous Goods Legislation requirements.**

For commercial transports e.g. by third parties, forwarding agents, special requirement on packaging and labeling must be observed.  
For preparation of the item being shipped, consulting an expert for hazardous material is required. Please also observe possibly more detailed national regulations.  
Tape or mask off open contacts and pack up the battery in such a manner that it cannot move around in the packaging.

11. **When disposing the battery cartridge, remove it from the tool and dispose of it in a safe place. Follow your local regulations relating to disposal of battery.**
12. **Use the batteries only with the products specified by Makita.** Installing the batteries to non-compliant products may result in a fire, excessive heat, explosion, or leak of electrolyte.
13. **If the tool is not used for a long period of time, the battery must be removed from the tool.**
14. **During and after use, the battery cartridge may take on heat which can cause burns or low temperature burns. Pay attention to the handling of hot battery cartridges.**
15. **Do not touch the terminal of the tool immediately after use as it may get hot enough to cause burns.**
16. **Do not allow chips, dust, or soil stuck into the terminals, holes, and grooves of the battery cartridge.** It may result in poor performance or breakdown of the tool or battery cartridge.
17. **Unless the tool supports the use near high-voltage electrical power lines, do not use the battery cartridge near high-voltage electrical power lines.** It may result in a malfunction or breakdown of the tool or battery cartridge.
18. **Keep the battery away from children.**

## SAVE THESE INSTRUCTIONS.

**⚠ CAUTION:** Only use genuine Makita batteries. Use of non-genuine Makita batteries, or batteries that have been altered, may result in the battery bursting causing fires, personal injury and damage. It will also void the Makita warranty for the Makita tool and charger.

## Tips for maintaining maximum battery life

1. **Charge the battery cartridge before completely discharged. Always stop tool operation and charge the battery cartridge when you notice less tool power.**
2. **Never recharge a fully charged battery cartridge. Overcharging shortens the battery service life.**
3. **Charge the battery cartridge with room temperature at 10 °C - 40 °C (50 °F - 104 °F). Let a hot battery cartridge cool down before charging it.**
4. **When not using the battery cartridge, remove it from the tool or the charger.**
5. **Charge the battery cartridge if you do not use it for a long period (more than six months).**

## Important safety instructions for wireless unit

1. **Do not disassemble or tamper with the wireless unit.**
2. **Keep the wireless unit away from young children. If accidentally swallowed, seek medical attention immediately.**
3. **Use the wireless unit only with Makita tools.**
4. **Do not expose the wireless unit to rain or wet conditions.**
5. **Do not use the wireless unit in places where the temperature exceeds 50°C (122°F).**
6. **Do not operate the wireless unit in places where medical instruments, such as heart pace makers are nearby.**
7. **Do not operate the wireless unit in places where automated devices are nearby.** If operated, automated devices may develop malfunction or error.
8. **Do not operate the wireless unit in places under high temperature or places where static electricity or electrical noise could be generated.**
9. **The wireless unit can produce electromagnetic fields (EMF) but they are not harmful to the user.**
10. **The wireless unit is an accurate instrument. Be careful not to drop or strike the wireless unit.**
11. **Avoid touching the terminal of the wireless unit with bare hands or metallic materials.**
12. **Always remove the battery on the product when installing the wireless unit into it.**
13. **When opening the lid of the slot, avoid the place where dust and water may come into the slot. Always keep the inlet of the slot clean.**
14. **Always insert the wireless unit in the correct direction.**
15. **Do not press the wireless activation button on the wireless unit too hard and/or press the button with an object with a sharp edge.**
16. **Always close the lid of the slot when operating.**
17. **Do not remove the wireless unit from the slot while the power is being supplied to the tool.** Doing so may cause a malfunction of the wireless unit.
18. **Do not remove the sticker on the wireless unit.**
19. **Do not put any sticker on the wireless unit.**
20. **Do not leave the wireless unit in a place where static electricity or electrical noise could be generated.**
21. **Do not leave the wireless unit in a place subject to high heat, such as a car sitting in the sun.**
22. **Do not leave the wireless unit in a dusty or powdery place or in a place corrosive gas could be generated.**
23. **Sudden change of the temperature may bedew the wireless unit. Do not use the wireless unit until the dew is completely dried.**
24. **When cleaning the wireless unit, gently wipe with a dry soft cloth. Do not use benzine, thinner, conductive grease or the like.**

25. When storing the wireless unit, keep it in the supplied case or a static-free container.
26. Do not insert any devices other than Makita wireless unit into the slot on the tool.
27. Do not use the tool with the lid of the slot damaged. Water, dust, and dirt come into the slot may cause malfunction.
28. Do not pull and/or twist the lid of the slot more than necessary. Restore the lid if it comes off from the tool.
29. Replace the lid of the slot if it is lost or damaged.

## SAVE THESE INSTRUCTIONS.

## FUNCTIONAL DESCRIPTION

**CAUTION:** Always be sure that the tool is switched off and the battery cartridge is removed before adjusting or checking function on the tool.

### Installing or removing battery cartridge

**CAUTION:** Always switch off the tool before installing or removing of the battery cartridge.

**CAUTION:** Hold the tool and the battery cartridge firmly when installing or removing battery cartridge. Failure to hold the tool and the battery cartridge firmly may cause them to slip off your hands and result in damage to the tool and battery cartridge and a personal injury.

► Fig.1: 1. Red indicator 2. Button 3. Battery cartridge

To remove the battery cartridge, slide it from the tool while sliding the button on the front of the cartridge.

To install the battery cartridge, align the tongue on the battery cartridge with the groove in the housing and slip it into place. Insert it all the way until it locks in place with a little click. If you can see the red indicator on the upper side of the button, it is not locked completely.

**CAUTION:** Always install the battery cartridge fully until the red indicator cannot be seen. If not, it may accidentally fall out of the tool, causing injury to you or someone around you.











**CAUTION:** Do not install the battery cartridge forcibly. If the cartridge does not slide in easily, it is not being inserted correctly.

## Indicating the remaining battery capacity

**Only for battery cartridges with the indicator**

► Fig.2: 1. Indicator lamps 2. Check button

Press the check button on the battery cartridge to indicate the remaining battery capacity. The indicator lamps light up for a few seconds.

Indicator lamps			Remaining capacity
 Lighted	 Off	 Blinking	
			75% to 100%
			50% to 75%
			25% to 50%
			0% to 25%
			Charge the battery.
			The battery may have malfunctioned.
			

**NOTE:** Depending on the conditions of use and the ambient temperature, the indication may differ slightly from the actual capacity.

**NOTE:** The first (far left) indicator lamp will blink when the battery protection system works.

## Tool / battery protection system

The tool is equipped with a tool/battery protection system. This system automatically cuts off power to the motor to extend tool and battery life. The tool will automatically stop during operation if the tool or battery is placed under one of the following conditions:

### Overload protection

When the tool or battery is operated in a manner that causes it to draw an abnormally high current, the tool automatically stops without any indication. In this situation, turn the tool off and stop the application that caused the tool to become overloaded. Then turn the tool on to restart.

### Overheat protection

When the tool or battery is overheated, the tool stops automatically and the lamp blinks. In this case, let the tool and battery cool before turning the tool on again.

### Overdischarge protection

When the battery capacity is not enough, the tool stops automatically. In this case, remove the battery from the tool and charge the battery.

## Switch action

**CAUTION:** Before installing the battery cartridge into the tool, always check to see that the slide switch moves properly and returns to the "OFF" position when the rear of the slide switch is depressed.

► **Fig.3:** 1. Slide switch

To start the tool, slide the slide switch toward the "I (ON)" position. For continuous operation, press the front of the slide switch to lock it. To stop the tool, press the rear of the slide switch, then slide it toward the "O (OFF)" position.

## Lighting up the front lamp

► **Fig.4:** 1. Lamp

**CAUTION:** Do not look in the light or see the source of light directly.

Turn on the switch to light up the lamp. The lamp keeps on lighting while the switch is on. The lamp goes out approximately 10 seconds after turning off the switch.

**NOTE:** Use a dry cloth to wipe the dirt off the lens of the lamp. Be careful not to scratch the lens of lamp, or it may lower the illumination.

**NOTE:** When the tool is overheated, the lamp blinks for one minute. In this case, cool down the tool before another operation.

## Accidental re-start preventive function

Even if the battery cartridge is installed on the tool with the slide switch in the "I (ON)" position, the tool does not start. To start the tool, first slide the slide switch toward the "O (OFF)" position and then slide it toward the "I (ON)" position.

## Electronic function

The tool is equipped with the electronic functions for easy operation.

- Soft start  
The soft-start function minimizes start-up shock, and makes the tool start smoothly.

## ASSEMBLY

**CAUTION:** Always be sure that the tool is switched off and the battery cartridge is removed before carrying out any work on the tool.

## Installing or removing bit

**NOTICE:** Do not tighten the collet nut without installing a bit, or the collet cone may break.

► **Fig.5:** 1. Collet nut 2. Shoe 3. Shaft lock 4. Tighten 5. Loosen

Press the shaft lock to prevent shaft rotation when installing or removing the bit.

To install the bit, insert it into the collet cone as far as it goes and then tighten the collet nut securely with the wrench or the shoe as a wrench.

To remove the bit, follow the installation procedure in reverse.

## Changing the collet cone

### Country specific

**NOTICE:** Use the correct size collet cone for the bit that you are going to use.

**NOTICE:** Do not tighten the collet nut without installing a bit, or the collet cone may break.

► **Fig.6:** 1. Collet cone 2. Bit 3. Collet nut

To change the collet cone, loosen the collet nut and remove. Replace the installed collet cone with desired collet cone. Reinstall collet nut.

## Installing the shoe

To install the shoe, loosen the thumb screw first. Attach the shoe on the tool, and then fix it firmly with the thumb screw.

► **Fig.7:** 1. Shoe 2. Thumb screw

## Hook

**CAUTION:** Never hook the tool at high location or on potentially unstable surface.

► **Fig.8:** 1. Groove 2. Hook 3. Screw

The hook is convenient for temporarily hanging the tool. To install the hook, insert it into a groove in the tool housing and then secure it with a screw. To remove, loosen the screw and then take it out.

## Strap hole

The strap hole is provided for hanging the tool on the wall using a strap.

► **Fig.9:** 1. Strap hole

**WARNING:** Do not use the strap hole for any other purpose than hanging the tool on the wall. Doing so may result serious injury because the strap hole is not intended for any other purpose than hanging the tool on the wall.

## OPERATION

**CAUTION:** Avoid forcing the bit to bend or twist. It may snap.

**CAUTION:** Before turning the tool on, make sure the bit and collet nut are securely tightened.

**CAUTION:** Always use the tool with a base such as the shoe or the vacuum cover attached.

Hold the tool securely with the bit pointing in a safe direction while it is not contacting any surface. Turn the tool on and wait until the tool reaches full speed.

► **Fig.10**

When using the drywall guide bit into a drywall, carefully insert the bit straight until the shoe base contacts the material fully.

Move the tool slowly with a constant pressure in a clockwise direction to make a cut.

### ► Fig.11: 1. Guide board

When cutting a straight line, clamp a guide board firmly to the material and use it as a guide. Move the tool in the direction of the arrow with the shoe base flush with the side of the guide board.

When the cut is complete, turn the tool off and wait for the bit to stop rotating and then carefully pull it out from the material.

**NOTICE:** Do not apply excessive force to the bit against the material. Doing so may get the bit dull or broken, or the tool out of order.

**NOTE:** When cutting drywall around outlet box, cut in a counterclockwise direction for ease of cut.

**NOTE:** The standard bit included with this tool is for cutting a drywall only. When cutting materials other than drywall, do not use the standard drywall guide bit.

## Vacuum cover

To perform cleaner operations, use the vacuum cover and connect the tool to Makita vacuum cleaner.

► Fig.12: 1. Tool 2. Vacuum cover 3. Hose 4. Vacuum cleaner

Loosen the thumb screw and remove the shoe. Attach the vacuum cover, and fasten it securely with the thumb screw.

► Fig.13: 1. Thumb screw 2. Vacuum cover

**NOTE:** The circular guide (optional accessory) can be installed on the vacuum cover.

## Using multipurpose bit

### Optional accessory

When using the multipurpose bit into the material, hold the tool at approximately a 45 degree angle with the edge of the shoe base contacting the material.

► Fig.14

Bring the tool carefully to a straight position so the shoe base contacts the material fully.

► Fig.15

## Circular guide

### Optional accessory

Circular cutting diameters: 10 cm - 34 cm

## Installing circular guide

Remove the thumb screw which secures the shoe.

► Fig.16: 1. Thumb screw 2. Shoe

Align the projections in the circular guide with the grooves in the shoe, and secure the shoe and circular guide with the thumb screw.

► Fig.17: 1. Projections 2. Shoe

To adjust the cutting depth, loosen the thumb screw and then slide the shoe with the circular guide. After the adjustment, tighten the thumb screw securely.

► Fig.18: 1. Thumb screw 2. Circular guide 3. Shoe 4. Loosen 5. Tighten

## Using circular guide

Loosen the knob, and adjust its position in accordance with the size of the circle to be cut. (The hole radius to be cut are indicated on the side of the circular guide as a general guideline.) After completion of the adjustment, tighten the knob securely.

► Fig.19: 1. Knob 2. Tighten 3. Loosen

Place the tip of the knob into the center of the circle to be cut, and proceed to cut in a clockwise direction.

► Fig.20: 1. Knob

# WIRELESS ACTIVATION FUNCTION

## What you can do with the wireless activation function

The wireless activation function enables clean and comfortable operation. By connecting a supported vacuum cleaner to the tool, you can run the vacuum cleaner automatically along with the switch operation of the tool.

► Fig.21

To use the wireless activation function, prepare following items:

- A wireless unit (optional accessory)
- A vacuum cleaner which supports the wireless activation function

The overview of the wireless activation function setting is as follows. Refer to each section for detail procedures.

1. Installing the wireless unit
2. Tool registration for the vacuum cleaner
3. Starting the wireless activation function

## Installing the wireless unit

### Optional accessory

**CAUTION:** Place the tool on a flat and stable surface when installing the wireless unit.

**NOTICE:** Clean the dust and dirt on the tool before installing the wireless unit. Dust or dirt may cause malfunction if it comes into the slot of the wireless unit.

**NOTICE:** To prevent the malfunction caused by static, touch a static discharging material, such as a metal part of the tool, before picking up the wireless unit.

**NOTICE:** When installing the wireless unit, always be sure that the wireless unit is inserted in the correct direction and the lid is completely closed.

1. Open the lid on the tool as shown in the figure.

► **Fig.22:** 1. Lid

2. Insert the wireless unit to the slot and then close the lid.

When inserting the wireless unit, align the projections with the recessed portions on the slot.

► **Fig.23:** 1. Wireless unit 2. Projection 3. Lid  
4. Recessed portion

When removing the wireless unit, open the lid slowly. The hooks on the back of the lid will lift the wireless unit as you pull up the lid.

► **Fig.24:** 1. Wireless unit 2. Hook 3. Lid

After removing the wireless unit, keep it in the supplied case or a static-free container.

**NOTICE:** Always use the hooks on the back of the lid when removing the wireless unit. If the hooks do not catch the wireless unit, close the lid completely and open it slowly again.

## Tool registration for the vacuum cleaner

**NOTE:** A Makita vacuum cleaner supporting the wireless activation function is required for the tool registration.

**NOTE:** Finish installing the wireless unit to the tool before starting the tool registration.

**NOTE:** During the tool registration, do not pull the switch trigger or turn on the power switch on the vacuum cleaner.

**NOTE:** Refer to the instruction manual of the vacuum cleaner, too.

If you wish to activate the vacuum cleaner along with the switch operation of the tool, finish the tool registration beforehand.

1. Install the batteries to the vacuum cleaner and the tool.

2. Set the stand-by switch on the vacuum cleaner to "AUTO".

► **Fig.25:** 1. Stand-by switch

3. Press the wireless activation button on the vacuum cleaner for 3 seconds until the wireless activation lamp blinks in green. And then press the wireless activation button on the tool in the same way.

► **Fig.26:** 1. Wireless activation button 2. Wireless activation lamp

If the vacuum cleaner and the tool are linked successfully, the wireless activation lamps will light up in green for 2 seconds and start blinking in blue.

**NOTE:** The wireless activation lamps finish blinking in green after 20 seconds elapsed. Press the wireless activation button on the tool while the wireless activation lamp on the cleaner is blinking. If the wireless activation lamp does not blink in green, push the wireless activation button briefly and hold it down again.

**NOTE:** When performing two or more tool registrations for one vacuum cleaner, finish the tool registration one by one.

## Starting the wireless activation function

**NOTE:** Finish the tool registration for the vacuum cleaner prior to the wireless activation.

**NOTE:** Refer to the instruction manual of the vacuum cleaner, too.

After registering a tool to the vacuum cleaner, the vacuum cleaner will automatically runs along with the switch operation of the tool.

1. Install the wireless unit to the tool.
2. Connect the hose of the vacuum cleaner with the tool.

► **Fig.27**

3. Set the stand-by switch on the vacuum cleaner to "AUTO".

► **Fig.28:** 1. Stand-by switch

4. Push the wireless activation button on the tool briefly. The wireless activation lamp will blink in blue.

► **Fig.29:** 1. Wireless activation button 2. Wireless activation lamp

5. Pull the switch trigger of the tool. Check if the vacuum cleaner runs while the switch trigger is being pulled.

To stop the wireless activation of the vacuum cleaner, push the wireless activation button on the tool.

**NOTE:** The wireless activation lamp on the tool will stop blinking in blue when there is no operation for 2 hours. In this case, set the stand-by switch on the vacuum cleaner to "AUTO" and push the wireless activation button on the tool again.

**NOTE:** The vacuum cleaner starts/stops with a delay. There is a time lag when the vacuum cleaner detects a switch operation of the tool.










**NOTE:** The transmission distance of the wireless unit may vary depending on the location and surrounding circumstances.

**NOTE:** When two or more tools are registered to one vacuum cleaner, the vacuum cleaner may start running even if you do not pull the switch trigger because another user is using the wireless activation function.

## Description of the wireless activation lamp status

### ► Fig.30: 1. Wireless activation lamp

The wireless activation lamp shows the status of the wireless activation function. Refer to the table below for the meaning of the lamp status.

Status	Wireless activation lamp				Description
	Color	 On	 Blinking	Duration	
Standby	Blue			2 hours	The wireless activation of the vacuum cleaner is available. The lamp will automatically turn off when no operation is performed for 2 hours.
				When the tool is running.	The wireless activation of the vacuum cleaner is available and the tool is running.
Tool registration	Green			20 seconds	Ready for the tool registration. Waiting for the registration by the vacuum cleaner.
				2 seconds	The tool registration has been finished. The wireless activation lamp will start blinking in blue.
Cancelling tool registration	Red			20 seconds	Ready for the cancellation of the tool registration. Waiting for the cancellation by the vacuum cleaner.
				2 seconds	The cancellation of the tool registration has been finished. The wireless activation lamp will start blinking in blue.
Others	Red			3 seconds	The power is supplied to the wireless unit and the wireless activation function is starting up.
	Off	-		-	The wireless activation of the vacuum cleaner is stopped.

## Cancelling tool registration for the vacuum cleaner

Perform the following procedure when cancelling the tool registration for the vacuum cleaner.

1. Install the batteries to the vacuum cleaner and the tool.
2. Set the stand-by switch on the vacuum cleaner to "AUTO".

### ► Fig.31: 1. Stand-by switch

3. Press the wireless activation button on the vacuum cleaner for 6 seconds. The wireless activation lamp blinks in green and then become red. After that, press the wireless activation button on the tool in the same way.

### ► Fig.32: 1. Wireless activation button 2. Wireless activation lamp

If the cancellation is performed successfully, the wireless activation lamps will light up in red for 2 seconds and start blinking in blue.

**NOTE:** The wireless activation lamps finish blinking in red after 20 seconds elapsed. Press the wireless activation button on the tool while the wireless activation lamp on the cleaner is blinking. If the wireless activation lamp does not blink in red, push the wireless activation button briefly and hold it down again.

## Troubleshooting for wireless activation function

Before asking for repairs, conduct your own inspection first. If you find a problem that is not explained in the manual, do not attempt to dismantle the tool. Instead, ask Makita Authorized Service Centers, always using Makita replacement parts for repairs.

State of abnormality	Probable cause (malfunction)	Remedy
The wireless activation lamp does not light/blink.	The wireless unit is not installed into the tool. The wireless unit is improperly installed into the tool.	Install the wireless unit correctly.
	The terminal of the wireless unit and/or the slot is dirty.	Gently wipe off dust and dirt on the terminal of the wireless unit and clean the slot.
	The wireless activation button on the tool has not been pushed.	Push the wireless activation button on the tool briefly.
	The stand-by switch on the vacuum cleaner is not set to "AUTO".	Set the stand-by switch on the vacuum cleaner to "AUTO".
	No power supply	Supply the power to the tool and the vacuum cleaner.
Cannot finish tool registration / cancelling tool registration successfully.	The wireless unit is not installed into the tool. The wireless unit is improperly installed into the tool.	Install the wireless unit correctly.
	The terminal of the wireless unit and/or the slot is dirty.	Gently wipe off dust and dirt on the terminal of the wireless unit and clean the slot.
	The stand-by switch on the vacuum cleaner is not set to "AUTO".	Set the stand-by switch on the vacuum cleaner to "AUTO".
	No power supply	Supply the power to the tool and the vacuum cleaner.
	Incorrect operation	Push the wireless activation button briefly and perform the tool registration/cancellation procedures again.
	The tool and vacuum cleaner are away from each other (out of the transmission range).	Get the tool and vacuum cleaner closer to each other. The maximum transmission distance is approximately 10 m however it may vary according to the circumstances.
	Before finishing the tool registration/cancellation; - the switch trigger on the tool is pulled or; - the power button on the vacuum cleaner is turned on.	Push the wireless activation button briefly and perform the tool registration/cancellation procedures again.
	The tool registration procedures for the tool or vacuum cleaner have not finished.	Perform the tool registration procedures for both the tool and the vacuum cleaner at the same timing.
Radio disturbance by other appliances which generate high-intensity radio waves.	Keep the tool and vacuum cleaner away from the appliances such as Wi-Fi devices and microwave ovens.	
The vacuum cleaner does not run along with the switch operation of the tool.	The wireless unit is not installed into the tool. The wireless unit is improperly installed into the tool.	Install the wireless unit correctly.
	The terminal of the wireless unit and/or the slot is dirty.	Gently wipe off dust and dirt on the terminal of the wireless unit and clean the slot.
	The wireless activation button on the tool has not been pushed.	Push the wireless activation button briefly and make sure that the wireless activation lamp is blinking in blue.
	The stand-by switch on the vacuum cleaner is not set to "AUTO".	Set the stand-by switch on the vacuum cleaner to "AUTO".
	More than 10 tools are registered to the vacuum cleaner.	Perform the tool registration again. If more than 10 tools are registered to the vacuum cleaner, the tool registered earliest will be cancelled automatically.
	The vacuum cleaner erased all tool registrations.	Perform the tool registration again.
	No power supply	Supply the power to the tool and the vacuum cleaner.
	The tool and vacuum cleaner are away from each other (out of the transmission range).	Get the tool and vacuum cleaner closer each other. The maximum transmission distance is approximately 10 m however it may vary according to the circumstances.
	Radio disturbance by other appliances which generate high-intensity radio waves.	Keep the tool and vacuum cleaner away from the appliances such as Wi-Fi devices and microwave ovens.
The vacuum cleaner runs while the tool's switch trigger is not pulled.	Other users are using the wireless activation of the vacuum cleaner with their tools.	Turn off the wireless activation button of the other tools or cancel the tool registration of the other tools.

# MAINTENANCE

**⚠ CAUTION:** Always be sure that the tool is switched off and the battery cartridge is removed before attempting to perform inspection or maintenance.

**NOTICE:** Never use gasoline, benzine, thinner, alcohol or the like. Discoloration, deformation or cracks may result.

To maintain product SAFETY and RELIABILITY, repairs, any other maintenance or adjustment should be performed by Makita Authorized or Factory Service Centers, always using Makita replacement parts.

## Air vent cleaning

The tool and its air vents have to be kept clean. Regularly clean the tool's air vents or whenever the vents start to become obstructed.

► **Fig.33:** 1. Exhaust vent 2. Inhalation vent

**⚠ CAUTION:** Clean out the air vents when it is clogged with dust or foreign matters. Continuing operation with the clogged air vents may cause fire.

# OPTIONAL ACCESSORIES

**⚠ CAUTION:** These accessories or attachments are recommended for use with your Makita tool specified in this manual. The use of any other accessories or attachments might present a risk of injury to persons. Only use accessory or attachment for its stated purpose.

If you need any assistance for more details regarding these accessories, ask your local Makita Service Center.

- Drywall guide bit
- Multi purpose bit
- Collet cone
- Wrench
- Circular guide
- Vacuum cover
- Hook
- Wireless unit
- Makita genuine battery and charger

**NOTE:** Some items in the list may be included in the tool package as standard accessories. They may differ from country to country.



## DANE TECHNICZNE

<b>Model:</b>		<b>DCO181</b>
Średnica uchwytu z tuleją zaciskową		3,0 mm, 3,18 mm, 6,0 mm, 6,35 mm
Prędkość bez obciążenia		32 000 min <sup>-1</sup>
Długość całkowita	z BL1820B	293 mm
	z BL1860B	311 mm
Napięcie znamionowe		Prąd stały 18 V
Masa netto		1,4–1,7 kg

- W związku ze stale prowadzonym przez naszą firmę programem badawczo-rozwojowym niniejsze dane mogą ulec zmianom bez wcześniejszego powiadomienia.
- W innych krajach urządzenie może mieć odmienne parametry techniczne i może być wyposażone w inny akumulator.
- Masa może być różna w zależności od osprzętu, w tym akumulatora. W tabeli przedstawiona jest najlżejsza i najcięższa konfiguracja, zgodnie z procedurą EPTA 01/2014.

## Kompatybilne akumulatory i ładowarki

Akumulator	BL1815N / BL1820 / BL1820B / BL1830 / BL1830B / BL1840 / BL1840B / BL1850 / BL1850B / BL1860B
Ładowarka	DC18RC / DC18RD / DC18RE / DC18SD / DC18SE / DC18SF / DC18SH

- Pewne z wymienionych powyżej akumulatorów i ładowarek mogą być niedostępne w regionie zamieszkania użytkownika.

**⚠ OSTRZEŻENIE:** Należy używać wyłącznie akumulatorów i ładowarek wymienionych powyżej. Używanie innych akumulatorów i ładowarek może stwarzać ryzyko wystąpienia obrażeń ciała lub pożaru.

## Przeznaczenie

Narzędzie jest przeznaczone do wyrównywania, przycinania i profilowania krawędzi w drewnie, tworzywach sztucznych i podobnych materiałach.

## Hałas

Typowy równoważny poziom dźwięku A określony w oparciu o normę EN62841-2-17:  
 Poziom ciśnienia akustycznego ( $L_{pA}$ ): 78 dB(A)  
 Niepewność (K): 3 dB(A)  
 Poziom hałasu podczas pracy może przekraczać 80 dB (A).

**WSKAZÓWKA:** Deklarowana wartość emisji hałasu została zmierzona zgodnie ze standardową metodą testową i można ją wykorzystać do porównywania narzędzi.

**WSKAZÓWKA:** Deklarowaną wartość emisji hałasu można także wykorzystać we wstępnej ocenie narażenia.

**⚠ OSTRZEŻENIE:** Nosić ochronniki słuchu.

**⚠ OSTRZEŻENIE:** Poziom hałasu wytwarzanego podczas rzeczywistego użytkowania elektronarzędzia może się różnić od wartości deklarowanej w zależności od sposobu użytkowania narzędzia, a w szczególności od rodzaju obrabianego elementu.

**⚠ OSTRZEŻENIE:** W oparciu o szacowane narażenie w rzeczywistych warunkach użytkowania należy określić środki bezpieczeństwa w celu zapewnienia ochrony operatora (uwzględniając wszystkie elementy cyklu działania, tj. czas, kiedy narzędzie jest włączone i kiedy pracuje na biegu jałowym, a także czas, kiedy jest włączone).

## Drgania

Całkowita wartość poziomu drgań (suma wektorów w 3 osiach) określona zgodnie z normą EN62841-2-17:  
 Tryb pracy: prędkość obrotowa bez obciążenia  
 Emisja drgań ( $a_{h1}$ ): 2,5 m/s<sup>2</sup> lub mniej  
 Niepewność (K): 1,5 m/s<sup>2</sup>

**WSKAZÓWKA:** Deklarowana wartość poziomu drgań została zmierzona zgodnie ze standardową metodą testową i można ją wykorzystać do porównywania narzędzi.

**WSKAZÓWKA:** Deklarowaną wartość poziomu drgań można także wykorzystać we wstępnej ocenie narażenia.

**⚠️ OSTRZEŻENIE:** Drgania wytwarzane podczas rzeczywistego użytkowania elektronarzędzia mogą się różnić od wartości deklarowanej w zależności od sposobu użytkowania narzędzia, a w szczególności od rodzaju obrabianego elementu.

**⚠️ OSTRZEŻENIE:** W oparciu o szacowane narażenie w rzeczywistych warunkach użytkowania należy określić środki bezpieczeństwa w celu zapewnienia ochrony operatora (uwzględniając wszystkie elementy cyklu działania, tj. czas, kiedy narzędzie jest wyłączone i kiedy pracuje na biegu jałowym, a także czas, kiedy jest włączone).

## Deklaracja zgodności WE

*Dotyczy tylko krajów europejskich*

Deklaracja zgodności WE jest dołączona jako załącznik A do niniejszej instrukcji obsługi.

# OSTRZEŻENIA DOTYCZĄCE BEZPIECZEŃSTWA

## Ogólne zasady bezpiecznej eksploatacji elektronarzędzi

**⚠️ OSTRZEŻENIE:** Należy zapoznać się z ostrzeżeniami dotyczącymi bezpieczeństwa, instrukcjami, ilustracjami i danymi technicznymi dołączonymi do tego elektronarzędzia. Niezastosowanie się do podanych poniżej instrukcji może prowadzić do porażenia prądem, pożaru i/lub poważnych obrażeń ciała.

## Wszystkie ostrzeżenia i instrukcje należy zachować do wykorzystania w przyszłości.

Pojęcie „elektronarzędzie”, występujące w wymienionych tu ostrzeżeniach, odnosi się do elektronarzędzia zasilanego z sieci elektrycznej (z przewodem zasilającym) lub do elektronarzędzia akumulatorowego (bez przewodu zasilającego).

## Ostrzeżenia dotyczące bezpieczeństwa dla frezarko-wycinarki akumulatorowej

1. **Gdy narzędzie podczas pracy może zetknąć się z ukrytymi przewodami elektrycznymi, należy trzymać urządzenie za izolowane uchwyty.** Przecięcie przewodu elektrycznego pod napięciem powoduje, że również odsłonięte elementy metalowe narzędzia znajdują się pod napięciem, grożąc porażeniem operatorem prądem elektrycznym.
2. **Należy używać zacisków lub innych praktycznych sposobów mocowania obrabianego przedmiotu do stabilnej podstawy i jego podparcia.** Przytrzymywanie obrabianego przedmiotu ręką lub opieranie go o ciało nie gwarantuje stabilności i może prowadzić do utraty panowania.
3. **Noś maskę przeciwpyłową i okulary ochronne.**
4. **Pamiętaj o zapewnieniu odpowiedniej wentylacji w miejscu pracy.**
5. **Przed przystąpieniem do pracy sprawdź dokładnie wiertło pod kątem ewentualnych pęknięć lub uszkodzeń.** Popękane lub uszkodzone wiertło należy niezwłocznie wymienić.
6. **Przed przystąpieniem do cięcia należy sprawdzić, czy za obrabianym elementem jest wystarczająco dużo wolnego miejsca, aby wiertło nie uderzało w podłogę, stół warsztatowy itp.**
7. **Nie tnij metalowych przedmiotów takich jak gwoździe i śruby.** Przed przystąpieniem do pracy skontrolować obrabiany element pod względem obecności w nim gwoździ, wkrętów itp., które należy usunąć z powierzchni.
8. **Przed włączeniem urządzenia należy upewnić się, że wiertło nie dotyka obrabianego elementu.** Podczas włączania narzędzia trzymaj je zawsze oburącz. Moment obrotowy silnika może spowodować obrócenie narzędzia.
9. **Przed przystąpieniem do obróbki danego elementu pozwól, aby narzędzie obracało się przez chwilę bez obciążenia.** Zwracaj uwagę na ewentualne drgania lub bicie osiowe, które mogą wskazywać na nieprawidłowe zamocowanie wiertła.
10. **Przed włączeniem urządzenia sprawdź, czy blokada wałka została zwolniona.**
11. **Zawsze używaj narzędzia ze stopką, która musi być ustawiona płasko i musi być dociśnięta do obrabianego elementu.**
12. **Trzymaj narzędzie w sposób niezawodny.**
13. **Nigdy nie podpieraj ani nie przesuwaj obrabianego elementu przy pomocy dłoni.**
14. **Nie zbliżaj rąk do części ruchomych.**
15. **Nie używać narzędzia do wiercenia..**
16. **Nie pozostawiać załączonego elektronarzędzia.** Można uruchomić elektronarzędzie tylko wtedy, gdy jest trzymane w rękach.
17. **Przed wyjęciem wiertła należy wyłączyć narzędzie i odczekać aż wiertło całkowicie się zatrzyma.**

18. Zaraz po zakończeniu pracy nie wolno dotykać wiertła ani obrabianego elementu. Mogą one być bardzo gorące, grożąc poparzeniem skóry.
19. Zwróć uwagę na konieczność używania zębionych oraz prawidłowej średnicy trzonu, stosownych do prędkości narzędzia.
20. Umieścić narzędzie na płaskiej i stabilnej powierzchni. W przeciwnym razie narzędzie może spaść i spowodować obrażenia ciała.
9. Nie wolno używać uszkodzonego akumulatora.
10. Stanowiące wyposażenie akumulatory lito-jonowe podlegają przepisom dotyczącym produktów niebezpiecznych.  
Na potrzeby transportu komercyjnego, np. świadczony przez firmy trzecie czy spedycyjne, należy przestrzegać specjalnych wymagań w zakresie pakowania i oznaczenia etykietami. Przygotowanie produktu do wysyłki wymaga skonsultowania się ze specjalistą ds. materiałów niebezpiecznych. Należy także przestrzegać przepisów krajowych, które mogą być bardziej szczegółowe.  
Zakleić taśmą lub zaślepić otwarte styki akumulatora oraz zabezpieczyć go, aby nie mógł się przesuwać w opakowaniu.

## ZACHOWAĆ INSTRUKCJE.

**⚠OSTRZEŻENIE: NIE WOLNO pozwolić, aby wygoda lub rutyna (nabyta w wyniku wielokrotnego używania narzędzia) zastąpiły ściśle przestrzeganie zasad bezpieczeństwa obsługi. NIEWŁAŚCIWE UŻYTKOWANIE narzędzia lub niestosowanie się do zasad bezpieczeństwa podanych w niniejszej instrukcji obsługi może prowadzić do poważnych obrażeń ciała.**

### Ważne zasady bezpieczeństwa dotyczące akumulatora

1. Przed użyciem akumulatora zapoznać się ze wszystkimi instrukcjami i znakami ostrzegawczymi na (1) ładowarce, (2) akumulatorze i (3) produkcie, w którym będzie używany akumulator.
2. Nie rozmontowywać ani modyfikować akumulatora. Może to spowodować pożar, przegrzanie lub wybuch.
3. Jeśli czas działania uległ znacznemu skróceniu, należy natychmiast przerwać pracę. Może bowiem dojść do przegrzania, ewentualnych poparzeń, a nawet eksplozji.
4. W przypadku przedostania się elektrolitu do oczu, przemyć je czystą wodą i niezwłocznie uzyskać pomoc lekarską. Może on bowiem spowodować utratę wzroku.
5. Nie doprowadzać do zwarcia akumulatora:
  - (1) Nie dotykać styków materiałami przewodzącymi prąd.
  - (2) Unikać przechowywania akumulatora w pojemniku z metalowymi przedmiotami, takimi jak gwoździe, monety itp.
  - (3) Chronić akumulator przed deszczem lub wodą.
 Zwarcie prowadzi do przepływu prądu elektrycznego o dużym natężeniu i przegrzania akumulatora, co w konsekwencji może grozić poparzeniami a nawet awarią urządzenia.
6. Narzędzia i akumulatora nie wolno przechowywać ani używać w miejscach, w których temperatura osiąga bądź przekracza 50°C (122°F).
7. Akumulatorów nie wolno spalać, również tych poważnie uszkodzonych lub całkowicie zużytych. Akumulator może eksplodować w ogniu.
8. Nie należy przecinać ani zgniatać akumulatora, wbijać w niego gwoździ, rzucać nim, upuszczać, ani uderzać akumulatorem o twarde obiekty. Takie działanie może spowodować pożar, przegrzanie lub wybuch.
11. Jeśli zajdzie konieczność utylizacji akumulatora, należy wyjąć go z narzędzia i przekazać w bezpieczne miejsce. Postępować zgodnie z przepisami lokalnymi dotyczącymi utylizacji akumulatorów.
12. Używać akumulatorów tylko z produktami określonymi przez firmę Makita. Zastosowanie akumulatorów w niezgodnych produktach może spowodować pożar, przegrzanie, wybuch lub wyciek elektrolitu.
13. Jeśli narzędzie nie będzie używane przez dłuższy czas, należy wyjąć z niego akumulator.
14. Przed użyciem akumulatora i po jego użyciu akumulator może pozostawać nagrany, co może spowodować poparzenia lub poparzenia w niskiej temperaturze. Z gorącym akumulatorem należy obchodzić się ostrożnie.
15. Nie należy dotykać styku narzędzia bezpośrednio po jego użyciu, ponieważ może on być na tyle gorący, że spowoduje oparzenia.
16. Nie należy dopuszczać, aby wióry, kurz lub błoto gromadziły się na stykach, w otworach i rowkach akumulatora. Może to spowodować obniżenie wydajności lub uszkodzenie narzędzia lub akumulatora.
17. Jeśli narzędzie nie jest przeznaczone do użytku w pobliżu linii wysokiego napięcia, nie należy korzystać z akumulatora w ich sąsiedztwie. Może to spowodować nieprawidłowości w działaniu lub uszkodzenie narzędzia lub akumulatora.
18. Przechowywać akumulator w miejscu niedostępnym dla dzieci.

## ZACHOWAĆ NINIEJSZE INSTRUKCJE.

**⚠PRZESTROGA: Używać wyłącznie oryginalnych akumulatorów firmy Makita.** Używanie nieoryginalnych akumulatorów firm innych niż Makita lub akumulatorów, które zostały zmodyfikowane, może spowodować wybuch akumulatora i pożar, obrażenia ciała oraz zniszczenie mienia. Stanowi to również naruszenie warunków gwarancji firmy Makita dotyczących narzędzia i ładowarki.

## Wskazówki dotyczące zachowania maksymalnej trwałości akumulatora

1. Akumulator należy naładować zanim zostanie do końca rozładowany. Po zauważeniu spadku mocy narzędzia należy przerwać pracę i naładować akumulator.
2. Nie wolno ładować powtórnie w pełni naładowanego akumulatora. Przeładowanie akumulatora skraca jego trwałość.
3. Akumulator należy ładować w temperaturze pokojowej w przedziale 10–40°C (50–104°F). W przypadku gorącego akumulatora przed przystąpieniem do ładowania należy poczekać, aż ostygnie.
4. Jeśli akumulator nie jest używany, należy go wyjąć z narzędzia lub ładowarki.
5. Akumulatory nikloowo-wodorkowe należy naładować po okresie długiego nieużytkowania (dłuższego niż sześć miesięcy).

## Ważne zasady bezpieczeństwa dotyczące złącza bezprzewodowego

1. Nie rozmontowywać ani modyfikować złącza bezprzewodowego.
2. Trzymać złącze bezprzewodowe z dala od małych dzieci. W przypadku przypadkowego połknięcia natychmiast skorzystać z pomocy medycznej.
3. Używać złącza bezprzewodowego wyłącznie z narzędziami firmy Makita.
4. Nie narażać złącza bezprzewodowego na działanie deszczu lub niesprzyjających warunków atmosferycznych.
5. Nie używać złącza bezprzewodowego w miejscach, w których temperatura przekracza 50°C.
6. Nie obsługiwać złącza bezprzewodowego w miejscach, w których w pobliżu znajdują się przyrządy medyczne, takie jak rozruszniki serca.
7. Nie obsługiwać złącza bezprzewodowego w miejscach, w których w pobliżu znajdują się zautomatyzowane urządzenia. W przypadku obsługi złącza bezprzewodowego w zautomatyzowanym urządzeniu może wystąpić usterka lub błąd.
8. Nie używać złącza bezprzewodowego w miejscach, w których panuje wysoka temperatura lub takich, w których możliwe jest wygenerowanie ładunków elektrostatycznych lub zakłóceń elektrycznych.
9. Złącze bezprzewodowe może wytwarzać pole elektromagnetyczne, które nie jest szkodliwe dla użytkownika.
10. Złącze bezprzewodowe to czuły przyrząd. Należy chronić złącze bezprzewodowe przed upadkiem i uderzeniami.
11. Unikać dotknięcia zacisku złącza bezprzewodowego gołymi rękoma lub metalowymi materiałami.
12. W przypadku montażu złącza bezprzewodowego należy zawsze wyciągać akumulator z produktu.
13. Podczas otwierania pokrywy gniazda unikać miejsc, w których pył i woda mogą przedostać się do gniazda. Zawsze utrzymywać wlot gniazda w czystości.
14. Zawsze wkładać złącze bezprzewodowe skierowane w odpowiednią stronę.
15. Nie naciskać zbyt mocno przycisku aktywacji bezprzewodowej na złączu bezprzewodowym i/lub nie naciskać przycisku za pomocą przedmiotu z ostrą krawędzią.
16. Zawsze zamykać pokrywę gniazda podczas pracy.
17. Nie usuwać złącza bezprzewodowego z gniazda, gdy zasilanie narzędzia jest włączone. Wykonanie tej czynności może spowodować usterkę złącza bezprzewodowego.
18. Nie usuwać naklejki ze złącza bezprzewodowego.
19. Nie umieszczać żadnej naklejki na złączu bezprzewodowym.
20. Nie pozostawiać złącza bezprzewodowego w miejscach, w których możliwe jest wygenerowanie ładunków elektrostatycznych lub szumów elektrycznych.
21. Nie pozostawiać złącza bezprzewodowego w miejscach narażonych na działanie wysokich temperatur, na przykład w samochodzie zaparkowanym w słońcu.
22. Nie pozostawiać złącza bezprzewodowego w miejscach, w których występuje kurz, pył lub gazy wykazujące właściwości korozyjne.
23. Nagła zmiana temperatury może spowodować pojawienie się rosy na złączu bezprzewodowym. Nie używać urządzenia, aż do momentu całkowitego osuszenia rosy.
24. W przypadku czyszczenia złącza bezprzewodowego delikatnie wytrzeć je przy użyciu miękkiej, suchej szmatki. Nie stosować benzyny, rozpuszczalnika, smaru przewodzącego prąd i innych podobnych substancji.
25. W przypadku przechowywania złącza bezprzewodowego umieścić je w dołączonej obudowie lub antystatycznym pojemniku.
26. Nie wkładać żadnych urządzeń innych niż złącze bezprzewodowe firmy Makita do gniazda w narzędziu.
27. Nie wolno używać narzędzia, gdy pokrywa gniazda jest uszkodzona. Woda, pył i zabrudzenia, które przedostaną się do gniazda, mogą spowodować usterkę.
28. Nie ciągnąć i/lub nie obracać nadmiernie pokrywy gniazda. Umieścić pokrywę w odpowiednim miejscu w przypadku zsunienia się jej z narzędzia.
29. Wymienić pokrywę gniazda w przypadku jej zgięcia lub uszkodzenia.

**ZACHOWAĆ NINIEJSZĄ  
INSTRUKCJĘ.**

# OPIS DZIAŁANIA

**⚠ PRZESTROGA:** Przed przystąpieniem do regulacji lub przeglądu narzędzia upewnić się, że jest ono wyłączone, a akumulator został wyjęty.

## Wkładanie i wyjmowanie akumulatora

**⚠ PRZESTROGA:** Przed włożeniem lub wyjęciem akumulatora należy zawsze wyłączyć narzędzie.

**⚠ PRZESTROGA:** Podczas wkładania lub wyjmowania akumulatora należy mocno trzymać narzędzie i akumulator. W przeciwnym razie mogą się one wyslizgnąć z rąk, powodując uszkodzenie narzędzia lub akumulatora i obrażenia ciała.

► **Rys.1:** 1. Czerwony wskaźnik 2. Przycisk 3. Akumulator

Aby wyjąć akumulator, przesunąć przycisk znajdujący się w przedniej jego części i wysunąć akumulator.

Aby włożyć akumulator, wyrównaj występ na akumulatorze z rowkiem w obudowie i wsunąć go na swoje miejsce. Akumulator należy wsunąć do oporu, aż się zatrzaśnie na miejscu, co jest sygnalizowane delikatnym kliknięciem. Jeśli w górnej części przycisku jest widoczny czerwony wskaźnik, akumulator nie został całkowicie zatrzaśnięty.

**⚠ PRZESTROGA:** Akumulator należy włożyć do końca, tak aby czerwony wskaźnik nie był widoczny. W przeciwnym razie może przypadkowo wypaść z narzędzia, powodując obrażenia operatora lub osób postronnych.

**⚠ PRZESTROGA:** Nie wkładać akumulatora na siłę. Jeśli akumulator nie daje się swobodnie wsunąć, oznacza to, że został włożony nieprawidłowo.

## Wskazanie stanu naładowania akumulatora

Tylko w przypadku akumulatorów ze wskaźnikiem

► **Rys.2:** 1. Lampki wskaźnika 2. Przycisk kontrolny

Nacisnąć przycisk kontrolny na akumulatorze w celu wyświetlenia stanu naładowania akumulatora. Lampki wskaźnika zaświecą się przez kilka sekund.

Lampki wskaźnika			Pozostała energia akumulatora
Świeci się	Wyłączony	Miga	
■	□	▬	75–100%
■ ■ ■ ■	□ □ □ □		50–75%
■ ■ ■ □	□ □ □ □		25–50%
■ ■ □ □	□ □ □ □		0–25%
▬ □ □ □	□ □ □ □		Naładować akumulator.
■ ■ □ □	□ □ ■ ■		Akumulator może nie działać poprawnie.
	↑ ↓		

**WSKAZÓWKA:** Zależnie od warunków użytkowania i temperatury otoczenia, wskazywany poziom może nieznacznie się różnić od rzeczywistego stanu naładowania akumulatora.

**WSKAZÓWKA:** Pierwsza (skrajnie po lewej stronie) lampka wskaźnika miga, gdy układ zabezpieczenia akumulatora jest aktywny.

## Układ zabezpieczenia narzędzia/akumulatora

Narzędzie jest wyposażone w układ zabezpieczenia narzędzia/akumulatora. Układ automatycznie odcina zasilanie silnika w celu wydłużenia trwałości narzędzia i akumulatora. Narzędzie zostanie automatycznie zatrzymane podczas pracy w następujących sytuacjach związanych z narzędziem lub akumulatorem:

### Zabezpieczenie przed przecięciem

W przypadku obsługi narzędzia lub akumulatora w sposób powodujący nadmiernie wysoki pobór prądu narzędzie zostanie automatycznie zatrzymane bez żadnego ostrzeżenia. W takiej sytuacji należy wyłączyć narzędzie i zaprzestać wykonywania czynności powodującej jego przeciążenie. Następnie należy włączyć narzędzie w celu ponownego uruchomienia.

### Zabezpieczenie przed przegrzaniem

W przypadku przegrzania narzędzia lub akumulatora narzędzie automatycznie się wyłączy i zacznie migać lampka. W takiej sytuacji należy odczekać, aż narzędzie ostygnie przed ponownym włączeniem narzędzia.

### Zabezpieczenie przed nadmiernym rozładowaniem

Gdy stan naładowania akumulatora stanie się zbyt niski, narzędzie zostanie automatycznie zatrzymane. W takiej sytuacji należy wyjąć akumulator z narzędzia i naładować go.

## Włączanie

**⚠ PRZESTROGA:** Przed włożeniem akumulatora do narzędzia należy zawsze sprawdzić, czy przełącznik suwakowy przesuwają się prawidłowo oraz czy po naciśnięciu jego tylnej części powraca on do położenia wyłączenia.

► **Rys.3:** 1. Przełącznik suwakowy

W celu uruchomienia narzędzia należy przesunąć przełącznik suwakowy w kierunku położenia „I (ON)”. Pracę w trybie ciągłym można włączyć po naciśnięciu i zablokowaniu przedniej części przełącznika suwakowego. Aby wyłączyć narzędzie, wystarczy nacisnąć tylną część przełącznika suwakowego, a następnie przesunąć go do położenia „O (OFF)”.

## Włączanie lampki czołowej

► **Rys.4:** 1. Lampka

**⚠ PRZESTROGA:** Nie patrzeć na światło ani bezpośrednio na źródło światła.

Należy włączyć przełącznik, aby zaświecić lampkę. Lampka świeci, dopóki przełącznik jest włączony. Lampka gaśnie po około 10 sekundach od wyłączenia przełącznika.

**WSKAZÓWKA:** Aby usunąć zabrudzenia z klosza lampki, należy użyć suchej szmatki. Uważać, aby nie zarysować klosza lampki, gdyż może to zmniejszyć natężenie oświetlenia.

**WSKAZÓWKA:** Gdy narzędzie jest przegrzane, kontrolka miga przez minutę. W takiej sytuacji należy poczekać, aż narzędzie ostygnie przed dalszym jego użytkowaniem.

## Funkcja zabezpieczenia przed przypadkowym uruchomieniem

Nawet jeśli akumulator zostanie zamontowany w narzędziu przy przełączniku suwakowym ustawionym w pozycji „I (ON)”, narzędzia nie będzie można uruchomić. Aby uruchomić narzędzie, należy przesunąć przełącznik suwakowy do pozycji „O (WYŁĄCZONY)”, a następnie z powrotem do pozycji „I (WŁĄCZONY)”.

## Funkcja regulacji elektronicznej

Narzędzie jest wyposażone w funkcje regulacji elektronicznej ułatwiające jego obsługę.

- Funkcja łagodnego uruchamiania  
Funkcja łagodnego uruchamiania minimalizuje wstrząs powstający podczas normalnego uruchamiania, dzięki czemu rozruch narzędzia jest płynny.

## MONTAŻ

**▲PRZESTROGA:** Przed przystąpieniem do prac konserwacyjnych przy narzędziu upewnić się, że jest ono wyłączone, a akumulator został wyjęty.

## Montaż lub demontaż końcówki

**UWAGA:** Nie dokręcać nakrętki zaciskowej bez zamocowania końcówki, w przeciwnym wypadku stożek zaciskowy ulegnie złamaniu.

- **Rys.5:** 1. Nakrętka zaciskowa 2. Stopa 3. Blokada wałka 4. Dokręcić 5. Odkręcanie

Przed przystąpieniem do zakładania bądź zdejmowania końcówki należy nacisnąć blokadę wałka, aby uniemożliwić obroty wałka. Aby założyć końcówkę, należy włożyć ją do stożka zaciskowego do końca, a następnie mocno dokręcić nakrętkę zaciskową za pomocą klucza lub stopy. Aby wyciągnąć końcówkę, należy wykonać procedurę mocowania w odwrotnej kolejności.

## Wymiana stożka zaciskowego

### W zależności od kraju

**UWAGA:** Należy używać stożka zaciskowego o rozmiarze odpowiednim do wybranej końcówki.

**UWAGA:** Nie dokręcać nakrętki zaciskowej bez zamocowania końcówki, w przeciwnym wypadku stożek zaciskowy ulegnie złamaniu.

- **Rys.6:** 1. Stożek zaciskowy 2. Wiertło 3. Nakrętka zaciskowa

Aby wymienić stożek zaciskowy, należy poluzować nakrętkę zaciskową i wyjąć stożek. Zamontowany stożek zaciskowy należy zastąpić odpowiednim stożkiem. Zamocować ponownie nakrętkę zaciskową.

## Zakładanie stopy

Aby założyć stopę, należy najpierw poluzować śrubę skrzydełkową. Zamocować stopę w narzędziu, a następnie mocno dokręcić śrubę skrzydełkową.

- **Rys.7:** 1. Stopa 2. Śruba skrzydełkowa

## Zaczep

**▲PRZESTROGA:** Nie wolno wieszać narzędzia wysoko lub na potencjalnie niestabilnej powierzchni.

- **Rys.8:** 1. Rowek 2. Zaczep 3. Wkręt

Zaczep służy do wygodnego, tymczasowego zawieszania narzędzia. Aby zamontować zaczep, należy wsunąć go w rowek w obudowie narzędzia, a następnie przykręcić go wkrętem. Aby wymontować zaczep, należy odkręcić wkręt i wyjąć zaczep.

## Otwór na pasek

Otwór na pasek umożliwia wieszanie narzędzia na ścianie za pomocą paska.

- **Rys.9:** 1. Otwór na pasek

**▲OSTRZEŻENIE:** Otworu na pasek nie należy używać do żadnych innych celów niż wieszanie narzędzia na ścianie. W przeciwnym razie może dojść do poważnych obrażeń, ponieważ otwór na pasek nie jest przeznaczony do żadnych innych celów niż wieszanie narzędzia na ścianie.

## DZIAŁANIE

**▲PRZESTROGA:** Unikaj zbyt mocnego dociskania końcówki, aby jej nie zgąć lub nie skrócić. Może się wtedy zablokować.

**▲PRZESTROGA:** Przed włączeniem narzędzia upewnij się, czy końcówka i nakrętka zaciskowa są solidnie dokręcone.

**▲PRZESTROGA:** Należy zawsze używać narzędzia z podstawą, taką jak zamocowana stopa lub osłona odkurzacza.

Przytrzymać narzędzie w sposób pewny, tak aby końcówka wskazywała bezpieczny kierunek, nie stykając się z powierzchnią. Włączyć narzędzie i poczekać, aż osiągnie pełną prędkość.

- **Rys.10**

Podczas wprowadzania końcówki do cięcia płyty kartonowo-gipsowej w płytę kartonowo-gipsową należy ostrożnie wsunąć końcówkę prosto, dopóki cała podstawa stopy nie będzie miała kontaktu z materiałem. Przesuwając narzędzie powoli ze stałą siłą docisku w prawo, aby wykonać cięcie.

- **Rys.11:** 1. Płytką prowadzącą

Podczas wycinania prostej linii należy dokładnie docisnąć płytkę prowadzącą do materiału i używać jej jako prowadnicy. Przesuwając narzędzie w kierunku wskazanym przez strzałkę, tak aby podstawa stopy przylegała do boku płytki prowadzącej.

Po zakończeniu cięcia należy wyłączyć narzędzie i poczekać, aż końcówka przestanie się obracać, a następnie ostrożnie wyjąć ją z materiału.

**UWAGA:** Nie należy dociskać końcówki do materiału z nadmierną siłą. W przeciwnym razie końcówka może się stępić lub pęknąć albo narzędzie może nie działać prawidłowo.

**WSKAZÓWKA:** Podczas wycinania w płycie kartonowo-gipsowej otworu pod gniazdko należy dla ułatwienia ciąć w lewo.

**WSKAZÓWKA:** Standardowa końcówka dołączona do tego narzędzia jest przeznaczona tylko do cięcia płyty kartonowo-gipsowej. Podczas cięcia materiałów innych niż płyta kartonowo-gipsowa nie należy używać standardowej końcówki do płyt kartonowo-gipsowych.

## Pokrywa odkurzacza

Aby skorzystać z odkurzacza, należy użyć pokrywy odkurzacza i podłączyć narzędzie do odkurzacza firmy Makita.

► **Rys.12:** 1. Narzędzie 2. Pokrywa odkurzacza 3. Wąż 4. Odkurzacz

Poluzuj śrubę skrzydełkową i usuń stopę. Zamontuj pokrywę odkurzacza i zamocuj ją przy użyciu śruby skrzydełkowej.

► **Rys.13:** 1. Śruba skrzydełkowa 2. Pokrywa odkurzacza

**WSKAZÓWKA:** Prowadnicę do okręgów (akcesoria opcjonalne) można zamontować na pokrywie odkurzacza.

## Użycie końcówki uniwersalnej

### Akcesoria opcjonalne

Podczas wprowadzania końcówki uniwersalnej w materiał, trzymaj narzędzie pod kątem około 45 stopni względem krawędzi podstawy stopy stykającej się z materiałem.

► **Rys.14**

Ostrożnie ustaw narzędzie w położeniu prostym, tak aby podstawa stopy stykała się całkowicie z materiałem.

► **Rys.15**

## Prowadnica do okręgów

### Akcesoria opcjonalne

Średnice prowadnicy do okręgów: 10 cm - 34 cm

## Montaż prowadnicy do okręgów

Wyjąć śrubę skrzydełkową, która mocuje stopę.

► **Rys.16:** 1. Śruba skrzydełkowa 2. Stopa

Wyrównaj występy w prowadnicy do okręgów z rowkami w stopie i zamocuj stopę i prowadnicę do okręgów przy użyciu śruby skrzydełkowej.

► **Rys.17:** 1. Występy 2. Stopa

Aby wyregulować głębokość cięcia, należy poluzować śrubę skrzydełkową, a następnie przesunąć stopę z użyciem prowadnicy do okręgów. Po wyregulowaniu dokręć mocno śrubę skrzydełkową.

► **Rys.18:** 1. Śruba skrzydełkowa 2. Prowadnica do okręgów 3. Stopa 4. Odkręcanie 5. Dokręcanie

## Stosowanie prowadnicy do okręgów

Poluzować gałkę i wyregulować jej położenie odpowiednio do wielkości okręgu do wycięcia. (Promień otworu do wycięcia jest wskazywany po stronie prowadnicy do okręgów jako wskazówka). Po zakończeniu regulacji należy dokładnie dokręcić gałkę.

► **Rys.19:** 1. Gałka 2. Dokręcić 3. Odkręcanie

Umieścić końcówkę gałki w środku okręgu do wycięcia i kontynuować cięcie w prawo.

► **Rys.20:** 1. Gałka

## FUNKCJA AKTYWACJI BEZPRZEWODOWEJ

### Co umożliwia funkcja aktywacji bezprzewodowej

Funkcja aktywacji bezprzewodowej pozwala na czystą i komfortową pracę. Poprzez podłączenie do narzędzia obsługiwane odkurzacz można automatycznie uruchomić odkurzacz, który będzie włączał się wraz z przełącznikiem z narzędzia.

► **Rys.21**

Aby użyć funkcji aktywacji bezprzewodowej, należy przygotować następujące elementy:

- Złącze bezprzewodowe (Akcesoria opcjonalne)
- Odkurzacz, który obsługuje funkcję aktywacji bezprzewodowej

Następujące informacje dotyczą ustawienia funkcji aktywacji bezprzewodowej. Aby dowiedzieć się więcej na temat szczegółowych procedur, należy zapoznać się z każdą sekcją.

1. Instalacja złącza bezprzewodowego
2. Rejestracja narzędzia w celu używania odkurzacza
3. Uruchamianie funkcji aktywacji bezprzewodowej

### Instalacja złącza bezprzewodowego

#### Akcesoria opcjonalne

**⚠ PRZESTROGA:** Podczas montażu złącza bezprzewodowego umieścić narzędzie na płaskiej i stabilnej powierzchni.

**UWAGA:** Przed rozpoczęciem montażu złącza bezprzewodowego oczyścić narzędzie z pyłu i zabrudzeń. Pył lub zabrudzenia mogą spowodować usterkę w przypadku przedostania się do gniazda złącza bezprzewodowego.

**UWAGA:** Aby zapobiec usterce spowodowanej przez ładunek elektrostatyczny, dotknąć materiału odprowadzającego wyładowania elektrostatyczne, takiego jak metalowa część narzędzia, przed podniesieniem złącza bezprzewodowego.

**UWAGA:** Podczas montażu złącza bezprzewodowego należy zawsze upewnić się, że złącze bezprzewodowe zostanie włożone w odpowiednim kierunku, a pokrywa całkowicie zamknięta.

1. Otworzyć pokrywę na narzędziu tak, jak pokazano na lustracji.

► **Rys.22:** 1. Pokrywa

2. Włożyć złącze bezprzewodowe do gniazda, a następnie zamknąć pokrywę.

Podczas wkładania złącza bezprzewodowego wyrównać wypusty z wgłębieniami w gnieździe.

► **Rys.23:** 1. Złącze bezprzewodowe 2. Występ 3. Pokrywa 4. Wgłębienie

Podczas wyjmowanie złącza bezprzewodowego powoli otworzyć pokrywę. Zaczepy na tylnej części pokrywy podniosą złącze bezprzewodowe podczas zdejmowania pokrywy.

► **Rys.24:** 1. Złącze bezprzewodowe 2. Zaczep 3. Pokrywa

Po demontażu złącza bezprzewodowego umieścić je w dołączonej obudowie lub antystatycznym pojemniku.

**UWAGA:** Należy zawsze korzystać z zaczepów na tylnej części pokrywy podczas demontażu złącza bezprzewodowego. Jeśli zaczepy nie chwycą złącza bezprzewodowego, należy całkowicie zamknąć pokrywę i powoli otworzyć ją ponownie.

## Rejestracja narzędzia w celu używania odkurzacza

**WSKAZÓWKA:** Odkurzacze firmy Makita obsługujące funkcję aktywacji bezprzewodowej jest wymagany do rejestracji narzędzia.

**WSKAZÓWKA:** Zakończyć montaż złącza bezprzewodowego w narzędziu przed rozpoczęciem rejestracji narzędzia.

**WSKAZÓWKA:** Podczas rejestracji narzędzia nie naciskać spustu przełącznika ani przycisku zasilania na odkurzaczu.

**WSKAZÓWKA:** Należy również zapoznać się z instrukcją obsługi odkurzacza.

Jeśli odkurzacze ma zostać aktywowany wraz z przełącznikiem narzędzia, należy najpierw zakończyć rejestrację narzędzia.

1. Zamontować akumulatory w odkurzaczu i narzędziu.

2. Ustawić przełącznik gotowości na odkurzaczu w położeniu „AUTO”.

► **Rys.25:** 1. Przełącznik gotowości

3. Nacisnąć i przytrzymać przez 3 sekundy przycisk aktywacji bezprzewodowej na odkurzaczu, aż do momentu, w którym kontrolka aktywacji bezprzewodowej zacznie migać na zielono. Następnie nacisnąć przycisk aktywacji bezprzewodowej na narzędziu w taki sam sposób.

► **Rys.26:** 1. Przycisk aktywacji bezprzewodowej 2. Kontrolka aktywacji bezprzewodowej

Jeśli odkurzacze i narzędzie zostały pomyślnie sparowane, kontrolki aktywacji bezprzewodowej będą migać na zielono przez 2 sekundy, a następnie zaczną migać na niebiesko.

**WSKAZÓWKA:** Kontrolki aktywacji bezprzewodowej przestaną migać na zielono po 20 sekundach. Nacisnąć przycisk aktywacji bezprzewodowej na narzędziu, gdy funkcja aktywacji bezprzewodowej na odkurzaczu miga. Jeśli kontrolka aktywacji bezprzewodowej nie miga na zielono, nacisnąć na krótko przycisk aktywacji bezprzewodowej i przytrzymać go ponownie.

**WSKAZÓWKA:** Podczas przeprowadzania rejestracji dwóch lub więcej narzędzi do jednego odkurzacza należy zakończyć rejestrację danego narzędzia w odpowiedniej kolejności.

## Uruchamianie funkcji aktywacji bezprzewodowej

**WSKAZÓWKA:** Zakończyć rejestrację narzędzia do odkurzacza przed aktywacją bezprzewodową.

**WSKAZÓWKA:** Należy również zapoznać się z instrukcją obsługi odkurzacza.

Po zarejestrowaniu narzędzia do odkurzacza, urządzenie to będzie automatycznie działać wraz z przełącznikiem narzędzia.

1. Zamontować złącze bezprzewodowe w narzędziu.

2. Podłączyć wąż odkurzacza do narzędzia.

► **Rys.27**

3. Ustawić przełącznik gotowości na odkurzaczu w położeniu „AUTO”.

► **Rys.28:** 1. Przełącznik gotowości

4. Krótko nacisnąć przycisk aktywacji bezprzewodowej na narzędziu. Kontrolka aktywacji bezprzewodowej będzie migać na niebiesko.

► **Rys.29:** 1. Przycisk aktywacji bezprzewodowej 2. Kontrolka aktywacji bezprzewodowej

5. Nacisnąć spust przełącznika narzędzia.

Sprawdzić, czy odkurzacze pracuje, gdy spust przełącznika jest naciśnięty.

Aby wstrzymać funkcję aktywacji bezprzewodowej odkurzacza, nacisnąć przycisk aktywacji bezprzewodowej na narzędziu.

**WSKAZÓWKA:** Kontrolka aktywacji bezprzewodowej na narzędziu przestanie migać na niebiesko w przypadku bezczynności przez 2 godziny. W takim przypadku należy ustawić przełącznik gotowości na odkurzaczu w położeniu „AUTO” i ponownie nacisnąć przycisk aktywacji bezprzewodowej na narzędziu.

**WSKAZÓWKA:** Odkurzacze uruchomi/wyłączy się z opóźnieniem. W przypadku wykrycia działania przełącznika narzędzia przez odkurzacze występuje opóźnienie.

**WSKAZÓWKA:** Zasięg łączności złącza bezprzewodowego może się różnić w zależności od lokalizacji i warunków otoczenia.

**WSKAZÓWKA:** W przypadku zarejestrowania dwóch lub więcej narzędzi do jednego odkurzacza, urządzenie może uruchomić się, nawet jeśli spust przełącznika nie zostanie naciśnięty, ponieważ inny użytkownik korzysta z funkcji aktywacji bezprzewodowej.



## Opis stanu kontrolki aktywacji bezprzewodowej

### ► Rys.30: 1. Kontrolka aktywacji bezprzewodowej

Kontrolka aktywacji bezprzewodowej przedstawia stan funkcji aktywacji bezprzewodowej. Aby dowiedzieć się więcej na temat znaczenia stanu kontrolki, należy zapoznać się z poniższą tabelą.

Stan	Kontrolka aktywacji bezprzewodowej				Opis
	Kolor	 Wył.	 Miga	Czas trwania	
Czuwanie	Niebieska			2 godziny	Aktywacja bezprzewodowa odkurzacza jest dostępna. Kontrolka wyłączy się automatycznie w przypadku bezczynności przez 2 godziny.
				Gdy narzędzie jest uruchomione.	Aktywacja bezprzewodowa odkurzacza jest dostępna, a narzędzie uruchomione.
Rejestracja narzędzia	Zielona			20 sekund	Gotowość do rejestracji narzędzia. Oczekiwanie na zarejestrowanie przez odkurzacza.
				2 sekund	Rejestracja narzędzia została zakończona. Kontrolka aktywacji bezprzewodowej zacznie migać na niebiesko.
Anulowanie rejestracji narzędzia	Czerwona			20 sekund	Gotowość do anulowania rejestracji narzędzia. Oczekiwanie na anulowanie przez odkurzacza.
				2 sekund	Anulowanie rejestracji narzędzia zostało zakończone. Kontrolka aktywacji bezprzewodowej zacznie migać na niebiesko.
Inne	Czerwona			3 sekund	Zasilanie jest dostarczane do złącza bezprzewodowego, a funkcja aktywacji bezprzewodowej uruchamiana.
	Wył.	-		-	Aktywacja bezprzewodowa odkurzacza została zatrzymana.

## Anulowanie rejestracji narzędzia do odkurzacza

Podczas anulowania rejestracji narzędzia do odkurzacza należy wykonać następującą procedurę.

1. Zamontować akumulatory w odkurzaczu i narzędziu.
2. Ustawić przełącznik gotowości na odkurzaczu w położeniu „AUTO”.

### ► Rys.31: 1. Przełącznik gotowości

3. Nacisnąć i przytrzymać przez 6 sekund przycisk aktywacji bezprzewodowej na odkurzaczu. Kontrolka aktywacji bezprzewodowej miga na zielono, a później na czerwono. Następnie nacisnąć przycisk aktywacji bezprzewodowej na narzędziu w taki sam sposób.

- ### ► Rys.32: 1. Przycisk aktywacji bezprzewodowej
2. Kontrolka aktywacji bezprzewodowej

Jeśli anulowanie zostanie zakończone pomyślnie, kontrolki aktywacji bezprzewodowej będą migać na zielono przez 2 sekundy, a następnie zaczną migać na niebiesko.

**WSKAZÓWKA:** Kontrolki aktywacji bezprzewodowej przestaną migać na czerwono po 20 sekundach. Nacisnąć przycisk aktywacji bezprzewodowej na narzędziu, gdy funkcja aktywacji bezprzewodowej na odkurzaczu miga. Jeśli kontrolka aktywacji bezprzewodowej nie miga na czerwono, nacisnąć na krótko przycisk aktywacji bezprzewodowej i przytrzymać go ponownie.

## Rozwiązywanie problemów związanych z funkcją aktywacji bezprzewodowej

Przed oddaniem urządzenia do naprawy należy najpierw przeprowadzić samodzielną kontrolę. W razie napotkania problemu, który nie został wyjaśniony w instrukcji, nie należy próbować demontować urządzenia we własnym zakresie. Należy natomiast zlecić naprawę w autoryzowanym punkcie serwisowym firmy Makita; zawsze z użyciem oryginalnych części zamiennych Makita.

Nieprawidłowe działanie	Prawdopodobna przyczyna (usterka)	Rozwiązanie
Kontrolka aktywacji bezprzewodowej nie świeci/miga.	Złącze bezprzewodowe nie zostało zamontowane w narzędziu. Złącze bezprzewodowe zostało niepoprawnie zamontowane w narzędziu.	Należy poprawnie zamontować złącze bezprzewodowe.
	Zacisk złącza bezprzewodowego i/lub gniazdo jest zabrudzone.	Delikatnie zetrzeć pył i zabrudzenia z zacisku złącza bezprzewodowego i oczyścić gniazdo.
	Przycisk aktywacji bezprzewodowej na narzędziu nie został naciśnięty.	Krótko nacisnąć przycisk aktywacji bezprzewodowej na narzędziu.
	Przełącznik gotowości na odkurzaczu nie znajduje się w położeniu „AUTO”.	Ustawić przełącznik gotowości na odkurzaczu w położeniu „AUTO”.
	Brak zasilania	Podłączyć narzędzia i odkurzacza do zasilania.
Nie można pomyślnie zakończyć rejestracji narzędzia/anulowania rejestracji narzędzia.	Złącze bezprzewodowe nie zostało zamontowane w narzędziu. Złącze bezprzewodowe zostało niepoprawnie zamontowane w narzędziu.	Należy poprawnie zamontować złącze bezprzewodowe.
	Zacisk złącza bezprzewodowego i/lub gniazdo jest zabrudzone.	Delikatnie zetrzeć pył i zabrudzenia z zacisku złącza bezprzewodowego i oczyścić gniazdo.
	Przełącznik gotowości na odkurzaczu nie znajduje się w położeniu „AUTO”.	Ustawić przełącznik gotowości na odkurzaczu w położeniu „AUTO”.
	Brak zasilania	Podłączyć narzędzia i odkurzacza do zasilania.
	Nieprawidłowe działanie	Krótko nacisnąć przycisk aktywacji bezprzewodowej i ponownie wykonać procedurę rejestracji narzędzia/anulowania rejestracji narzędzia.
	Narzędzie i odkurzacza znajdują się w zbyt dużej odległości od siebie (poza zasięgiem łączności).	Zbliżyć narzędzie i odkurzacza do siebie. Maksymalny zasięg łączności wynosi około 10 m, lecz może się różnić w zależności od panujących warunków.
	Przed zakończeniem rejestracji narzędzia/anulowania; – spust przełącznika jest naciśnięty lub; – przycisk zasilania na odkurzaczu znajduje się w położeniu włączenia.	Krótko nacisnąć przycisk aktywacji bezprzewodowej i ponownie wykonać procedurę rejestracji narzędzia/anulowania rejestracji narzędzia.
	Procedury rejestracji narzędzia dotyczące narzędzia lub odkurzacza nie zostały zakończone.	Wykonać jednocześnie procedury związane z rejestracją narzędzia dotyczące narzędzia i odkurzacza.
Zakłócenia radiowe spowodowane przez inne urządzenia, które generują fale radiowe o wysokiej częstotliwości.	Trzymać narzędzie i odkurzacza z dala od urządzeń, takich jak urządzenia Wi-Fi i kuchenki mikrofalowe.	

Nieprawidłowe działanie	Prawdopodobna przyczyna (usterka)	Rozwiązanie
Odkurzacz nie działa wraz z przełącznikiem narzędzia.	Złącze bezprzewodowe nie zostało zamontowane w narzędziu. Złącze bezprzewodowe zostało niepoprawnie zamontowane w narzędziu.	Należy poprawnie zamontować złącze bezprzewodowe.
	Zacisk złącza bezprzewodowego i/lub gniazdo jest zabrudzone.	Delikatnie zetrzeć pył i zabrudzenia z zacisku złącza bezprzewodowego i oczyścić gniazdo.
	Przycisk aktywacji bezprzewodowej na narzędziu nie został naciśnięty.	Krótko nacisnąć przycisk aktywacji bezprzewodowej i upewnić się, że kontrolka aktywacji bezprzewodowej miga na niebiesko.
	Przełącznik gotowości na odkurzaczu nie znajduje się w położeniu „AUTO”.	Ustawić przełącznik gotowości na odkurzaczu w położeniu „AUTO”.
	Zarejestrowano ponad 10 narzędzi do odkurzacza.	Ponownie wykonać rejestrację narzędzia. W przypadku zarejestrowania ponad 10 narzędzi do odkurzacza narzędzie zarejestrowane najwcześniej zostanie automatycznie anulowane.
	Odkurzacz usunął wszystkie rejestracje narzędzi.	Ponownie wykonać rejestrację narzędzia.
	Brak zasilania	Podłączyć narzędzia i odkurzacz do zasilania.
	Narzędzie i odkurzacz znajdują się w zbyt dużej odległości od siebie (poza zasięgiem łączności).	Zbliżyć narzędzie i odkurzacz do siebie. Maksymalny zasięg łączności wynosi około 10 m, lecz może się różnić w zależności od panujących warunków.
	Zakłócenia radiowe spowodowane przez inne urządzenia, które generują fale radiowe o wysokiej częstotliwości.	Trzymać narzędzie i odkurzacz z dala od urządzeń, takich jak urządzenia Wi-Fi i kuchenki mikrofalowe.
Odkurzacz pracuje, gdy spust przełącznika narzędzia nie jest naciśnięty.	Inni użytkownicy korzystają z funkcji aktywacji bezprzewodowej przy użyciu narzędzi.	Ustawić przycisk aktywacji bezprzewodowej innych narzędzi w położeniu wyłączenia lub anulować rejestrację innych narzędzi.

## KONSERWACJA

**⚠ PRZESTROGA:** Przed przystąpieniem do przeglądu narzędzia lub jego konserwacji upewnij się, że jest ono wyłączone, a akumulator wyjęty.

**UWAGA:** Nie stosować benzyny, rozpuszczalników, alkoholu itp. środków. Mogą one powodować odbarwienia, odkształcenia lub pęknięcia.

W celu zachowania odpowiedniego poziomu BEZPIECZEŃSTWA i NIEZAWODNOŚCI produktu wszelkie naprawy i różnego rodzaju prace konserwacyjne lub regulacje powinny być przeprowadzane przez autoryzowany lub fabryczny punkt serwisowy narzędzi Makita, zawsze z użyciem oryginalnych części zamiennych Makita.

## Czyszczenie otworów wentylacyjnych

Narzędzie i jego otwory wentylacyjne muszą być utrzymywane w czystości. Otwory wentylacyjne należy czyścić w regularnych odstępach czasu i za każdym razem, gdy zostaną zatkane.

► **Rys.33:** 1. Wylot powietrza 2. Wlot powietrza

**⚠ PRZESTROGA:** Gdy otwory wentylacyjne są zatkane przez pył lub ciała obce, należy je oczyścić. Kontynuowanie pracy z zatkanyimi otworami wentylacyjnymi może doprowadzić do pożaru.

## AKCESORIA OPCJONALNE

**⚠ PRZESTROGA:** Zaleca się stosowanie wymienionych akcesoriów i przystawek razem z narzędziem Makita opisanym w niniejszej instrukcji. Stosowanie innych akcesoriów lub przystawek może być przyczyną obrażeń ciała. Akcesoria lub przystawki należy wykorzystywać tylko zgodnie z ich przeznaczeniem.

W razie potrzeby, wszelkiej pomocy i szczegółowych informacji na temat niniejszych akcesoriów udziela Państwu lokalne Centra Serwisowe Makita.

- Końcówka do cięcia płyty kartonowo-gipsowej
- Końcówka uniwersalna
- Stożek zaciskowy
- Klucz
- Prowadnica do okręgów
- Pokrywa odkurzacza
- Zaczepek
- Złącze bezprzewodowe
- Oryginalny akumulator i ładowarka firmy Makita

**WSKAZÓWKA:** Niektóre pozycje znajdujące się na liście mogą być dołączone do pakietu narzędziowego jako akcesoria standardowe. Mogą to być różne pozycje, w zależności od kraju.

## RÉSZLETES LEÍRÁS

<b>Típus:</b>		<b>DCO181</b>
Bilincses tokmány befogadóképessége		3,0 mm, 3,18 mm, 6,0 mm, 6,35 mm
Üresjárat fordulatszám		32 000 min <sup>-1</sup>
Teljes hossz	BL1820B-el	293 mm
	BL1860B-el	311 mm
Névleges feszültség		18 V, egyenáram
Nettó tömeg		1,4–1,7 kg

- Folyamatos kutató- és fejlesztőprogramunk eredményeként az itt felsorolt tulajdonságok figyelmeztetés nélkül megváltozhatnak.
- A műszaki adatok és az akkumulátor országokként változhatnak.
- A súly a felszerelt tartozékoktól függően változhat, az akkumulátort is beleértve. Az EPTA 01/2014 eljárás szerint meghatározott legnehezebb, illetve legkönnyebb kombináció a táblázatban látható.

### Alkalmazható akkumulátorok és töltők

Akkumulátor	BL1815N / BL1820 / BL1820B / BL1830 / BL1830B / BL1840 / BL1840B / BL1850 / BL1850B / BL1860B
Töltő	DC18RC / DC18RD / DC18RE / DC18SD / DC18SE / DC18SF / DC18SH

- Lakóhelyétől függően előfordulhat, hogy a fent felsorolt akkumulátorok és töltők nem érhetőek el.

**▲ FIGYELMEZTETÉS:** Csak a fentiekben felsorolt akkumulátorokat és töltőket használja. Bármilyen más akkumulátor vagy töltő használata sérüléseket és/vagy tüzet okozhat.

### Rendeltetés

A szerszám faanyagok, műanyagok és más hasonló anyagok felsőmarásához és profilok kialakításához használható.

#### Jaj

A tipikus A-súlyozású zajszint, az EN62841-2-17 szerint meghatározva:

Hangnyomásszint ( $L_{pA}$ ): 78 dB(A)

Bizonytalanság (K): 3 dB(A)

A zajszint a munkavégzés során meghaladhatja a 80 dB (A) értéket.

**MEGJEGYZÉS:** A zajkibocsátás értéke a szabványos vizsgálati eljárásnak megfelelően lett mérve, és segítségével az elektromos kéziszerszámok összehasonlíthatók egymással.

**MEGJEGYZÉS:** A zajkibocsátás értékének segítségével előzetesen megbecsülhető a rezgésnek való kitettség mértéke.

**▲ FIGYELMEZTETÉS:** Viseljen fülvédőt!

**▲ FIGYELMEZTETÉS:** A szerszám zajkibocsátása egy adott alkalmazásnál eltérhet a megadott értéktől a használat módjától, különösen a feldolgozott munkadarab fajtájától függően.

**▲ FIGYELMEZTETÉS:** Határozza meg a kezelő védelmét szolgáló munkavédelmi lépéseket, melyek az adott munkafeltételek melletti vibrációs hatás becsült mértékén alapulnak (figyelembe véve a munkaciklus elemeit, mint például a gép leállításának és üresjáratának mennyiségét az elindítások száma mellett).

### Vibráció

A vibráció teljes értéke (háromtengelyű vektorösszeg) az EN62841-2-17 szerint meghatározva:

Üzem mód: terhelés nélküli fordulatszám  
 Rezgés kibocsátás ( $a_n$ ): 2,5 m/s<sup>2</sup> vagy kisebb  
 Bizonytalanság (K): 1,5 m/s<sup>2</sup>

**MEGJEGYZÉS:** A rezgés teljes értéke a szabványos vizsgálati eljárásnak megfelelően lett mérve, és segítségével az elektromos kéziszerszámok összehasonlíthatók egymással.

**MEGJEGYZÉS:** A rezgés teljes értékének segítségével előzetesen megbecsülhető a rezgésnek való kitettség mértéke.

**▲ FIGYELMEZTETÉS:** A szerszám rezgés kibocsátása egy adott alkalmazásnál eltérhet a megadott értéktől a használat módjától, különösen a feldolgozott munkadarab fajtájától függően.

**▲ FIGYELMEZTETÉS:** Határozza meg a kezelő védelmét szolgáló munkavédelmi lépéseket, melyek az adott munkafeltételek melletti vibrációs hatás becsült mértékén alapulnak (figyelembe véve a munkaciklus elemeit, mint például a gép leállításának és üresjáratának mennyiségét az elindítások száma mellett).

### EK Megfelelőségi nyilatkozat

**Csak európai országokra vonatkozóan**

Az EK-megfelelőségi nyilatkozat az útmutató „A” mellékletében található.

# BIZTONSÁGI FIGYELMEZTETÉS

## A szerszámgépekre vonatkozó általános biztonsági figyelmeztetések

**▲ FIGYELMEZTETÉS:** Olvassa el a szerszámgéphez mellékelte összes biztonsági figyelmeztetést, utasítást, illusztrációt és a műszaki adatokat. A következőkben leírt utasítások figyelmen kívül hagyása elektromos áramütést, tüzet és/vagy súlyos sérülést eredményezhet.

## Őrizzen meg minden figyelmeztetést és utasítást a későbbi tájékozódás érdekében.

A figyelmeztetéseken szereplő "szerszámgép" kifejezés az Ön hálózatról (vezetékes) vagy akkumulátorról (vezeték nélküli) működtetett szerszámgépére vonatkozik.

## Vezeték nélküli kivágógép – biztonsági figyelmeztetések

1. A szerszámgépet a szigetelt markolófelületénél fogja, ha olyan műveletet végez, amikor a vágóeszköz rejtett vezetékekkel érintkezik. Ha a vágóeszköz „élő” vezetékekkel érintkezik, a szerszámgép fém alkatrészei is „áram alá” kerülhetnek, és a kezelőt áramütés érheti.
2. Szorítókkal vagy más praktikus módon rögzítse, és támassza meg a munkadarabot egy szilárd padozaton. A munkadarab kézzel vagy a testtel való megtartása instabil lehet, ezért elvesztheti a kontrollt a munkadarab fölött.
3. Viseljen szemvédőt és pormaszkot.
4. Megfelelően szellőztesse a munkaterületet.
5. Gondosan ellenőrizze a vágószerszámot a használat előtt, repedések vagy sérülések tekintetében. Azonnal cserélje ki a megrepedt vagy sérült vágószerszámot.
6. Ellenőrizze a megfelelő hézagot a munkadarab mögött a vágás előtt, nehogy a vágószerszám kemény felületbe ütközzön, mint pl. padló, munkapad, stb.
7. Ne vágjon fémtárgyakat, mint pl. szegek és csavarok. A művelet megkezdése előtt ellenőrizze a munkadarabot, és húzza ki belőle az összes szeget, csavart és más idegen anyagot.
8. Ellenőrizze, hogy a vágószerszám nem ér a munkadarabhoz, mielőtt bekapcsolja a szerszámot. A szerszámot bekapcsolásakor mindig mindkét kezével fogja. A motor nyomatéka a szerszám elfordulását okozhatja.
9. Mielőtt használja a szerszámot a tényleges munkadarabon, hagyja járni egy kicsit. Figyelje a rezgéseket vagy imbolygást, amelyek rossz felszerelt vágószerszámra utalhatnak.

10. Ellenőrizze, hogy a tengelyretesz fel van engedve, mielőtt bekapcsolja a szerszámot.
11. A szerszámot csak akkor használja, ha a saru stabilan csatlakoztatva van a szerszámhoz és egyenletesen és szilárdan támaszkodik a munkadarabnak.
12. Tartsa a szerszámot szilárdan.
13. Ne végezzen semmilyen, a munkadarab megtámasztására vagy vezetésére irányuló műveletet a kezeivel.
14. Tartsa távol a kezeit a mozgó alkatrészekről.
15. Ne használja a szerszámot fűrésra.
16. Ne hagyja a szerszámot bekapcsolva. Csak kézben tartva használja a szerszámot.
17. A vágószerszám eltávolítása előtt mindig kapcsolja ki a szerszámot és várja meg, amíg a vágószerszám teljesen megáll.
18. Ne érjen a vágószerszámhoz vagy a munkadarabhoz közvetlenül a munkavégzést követően; azok rendkívül forrók lehetnek és megégethetik a bőrét.
19. Figyeljen oda, hogy a helyes szárátmérőjű vágószerszámokat használja, amelyek megfelelőek a szerszám sebességéhez is.
20. Helyezze a szerszámot sík és stabil felületre. Máskülönb en a leesés balesetet és személyi sérülést okozhat.

## ŐRIZZE MEG EZEKET AZ UTASÍTÁSOKAT.

**▲ FIGYELMEZTETÉS: NE HAGYJA,** hogy a kényelem vagy a termék (többszörői használatból adódó) mind alaposabb ismerete váltsa fel az adott termékre vonatkozó biztonsági előírások szigorú betartását. A **HELYTELEN HASZNÁLAT** és a használati útmutatóban szereplő biztonsági előírások megszegése súlyos személyi sérülésekhez vezethet.

## Fontos biztonsági utasítások az akkumulátorra vonatkozóan

1. Az akkumulátor használata előtt tanulmányozza át az akkumulátortöltőt (1), az akkumulátoron (2) és az akkumulátorral működtetett terméken (3) olvasható összes utasítást és figyelmeztető jelzést.
2. Ne szerelje szét, és ne módosítsa az akkumulátort. Tüzet, túlzott hőt vagy robbanást okozhat.
3. Ha a működési idő nagyon lerövidült, azonnal hagyja abba a használatot. Ez a túlmelegedés, esetleges égések és akár robbanás veszélyével is járhat.
4. Ha elektrolit kerül a szemébe, mossa ki azt tiszta vízzel és azonnal kérjen orvosi segítséget. Ez a látásának elvesztését okozhatja.
5. Ne zárja rövidre az akkumulátort:
  - (1) Ne érjen az érintkezőkhöz elektromosan vezető anyagokkal.

(2) Ne tárolja az akkumulátort más fémtárgyakkal, mint pl. szegekkel, érmékkel, stb. egy helyen.

(3) Ne tegye ki az akkumulátort víznek vagy esőnek.

Az akkumulátor rövidzárlata nagy áramerősséget, túlmelegedést, égéseket, sőt akár meghibásodást is okozhat.

6. Ne tárolja és használja a szerszámot vagy az akkumulátort olyan helyen, ahol a hőmérséklet elérheti vagy meghaladhatja az 50 °C-t (122 °F).

7. Ne égesse el az akkumulátort még akkor sem, ha az komolyan megsérült vagy teljesen elhasználódott. Az akkumulátor a tűzben felrobbanhat.

8. Ne szúrja meg, ne vágja meg, ne törje össze, ne dobja el és ne ejtse le az akkumulátort, illetve ne üsse hozzá kemény tárgyhöz. Az ilyen magatartás tüzet, túlzott hőt vagy robbanást okozhat.

9. Ne használjon sérült akkumulátort.

10. A készülékben található lítium-ion akkumulátorokra a veszélyes árukkal kapcsolatos előírások vonatkoznak.

A termék pl. harmadik felek, fuvarozó cégek stb. által történő szállítása esetén minden esetben tartsa szem előtt a csomagoláson és a címkén található speciális követelményeket.

A termék szállításra történő felkészítése esetén vegye fel a kapcsolatot egy veszélyes anyagokkal foglalkozó szakemberrel. Kérjük, hogy az esetlegesen szigorúbb nemzeti előírásokat is vegye figyelembe.

Ragassza le a kiálló érintkezőket, illetve oly módon csomagolja be az akkumulátort, hogy az ne tudjon elmozdulni a csomagolásban.

11. Az akkumulátor ártalmatlanításakor vegye ki azt a szerszámból, és ártalmatlanítsa egy biztonságos helyen. Az akkumulátor ártalmatlanításakor tartsa be a helyi előírásokat.

12. Az akkumulátorokat csak a Makita által megjelölt termékekhez használja. Ha az akkumulátorokat azokkal nem kompatibilis termékekbe helyezi, az tűzhez, túlmelegedéshez, robbanáshoz vagy elektrolitszivárgáshoz vezethet.

13. Ha a szerszám hosszabb ideig nincs használatban, az akkumulátort ki kell venni a szerszámból.

14. Használat közben és után az akkumulátor felforrósodhat, ami égési sérülést vagy alacsony hőmérsékletű égési sérülést okozhat. Figyeljen oda a forró akkumulátor kezelésére.

15. Ne érintse meg közvetlenül a szerszám érintkezőjét, mert elég forró lehet ahhoz, hogy égési sérüléseket okozzon.

16. Ne engedje, hogy forgács, por vagy sár tapadjon az akkumulátor érintkezőire, lyukaiba és hornyaiba. Az a szerszám vagy az akkumulátor gyenge teljesítményét vagy meghibásodását okozhatja.

17. Hacsak a szerszám nem támogatja a nagyfeszültségű elektromos vezetékek közelében történő használatot, ne használja az akkumulátort nagyfeszültségű elektromos vezetékek közelében. Az a szerszám vagy az akkumulátor hibás működését vagy meghibásodását okozhatja.

18. Tartsa távol a gyermekektől az akkumulátort.

## ŐRIZZE MEG EZEKET AZ UTASÍTÁSOKAT.

**⚠VIGYÁZAT:** Csak eredeti Makita akkumulátorokat használjon. A nem eredeti Makita akkumulátorok vagy módosított akkumulátorok használata esetén az akkumulátor felrobbanhat, ami tüzet, személyi sérülést és anyagi kárt okozhat. A Makita szerszáma és töltőre vonatkozó Makita garanciát is érvénytelenítheti.

## Tippek az akkumulátor maximális élettartamának eléréséhez

1. Töltse fel az akkumulátort, mielőtt teljesen lemerülne. Állítsa le a gépet, és töltse fel az akkumulátort, ha a gép erejének csökkenését észleli.
2. Soha ne töltse újra a teljesen feltöltött akkumulátort. A túltöltés csökkenti az akkumulátor élettartamát.
3. Töltse az akkumulátort szobahőmérsékleten, 10 °C - 40 °C (50 °F - 104 °F) között. Töltés előtt hagyja lehűlni a fölforrósodott akkumulátort.
4. Ha nem használja az akkumulátort, vegye ki a szerszámból vagy a töltőből.
5. Töltse fel az akkumulátort, ha hosszabb ideje (több mint hat hónapja) nem használta azt.

## Fontos biztonsági utasítások a vezeték nélküli egységhez

1. Ne szerelje szét és ne módosítsa a vezeték nélküli egységet.
2. Tartsa távol a gyermekektől a vezeték nélküli egységet. Véletlen lenyelés esetén azonnal kérjen orvosi segítséget.
3. A vezeték nélküli egységet csak Makita szerszámgépekkel használja.
4. Ne tegye ki a vezeték nélküli egységet esőnek vagy nedves körülményeknek.
5. Ne használja a vezeték nélküli egységet olyan helyen, ahol a hőmérséklet meghaladja a 50 °C.
6. Ne használja a vezeték nélküli egységet orvosi berendezések, például pacemaker közelében.
7. Ne használja a vezeték nélküli egységet automatizált berendezések közelében. A működése közben az automatizált berendezések rendellenesen működhetnek vagy meghibásodhatnak.
8. Ne működtesse a vezeték nélküli egységet magas hőmérsékletű helyen olyan helyen, ahol statikus elektromosság vagy elektromos zaj keletkezhet.
9. A vezeték nélküli egység a felhasználóra veszélyt nem jelentő elektromágneses mezőket (EMF) hozhat létre.
10. A vezeték nélküli egység finom műszer. Vigyázzon, nehogy leejtse, vagy ütés érje a vezeték nélküli egységet.
11. Ne érintse meg a vezeték nélküli egység érintkezőit puszta kézzel vagy fémes anyaggal.

12. A vezeték nélküli egység beszerelésekor mindig távolítsa el a termék akkumulátorát.
13. A nyílás fedelének nyitásokor kerülsz olyan helyeket, ahol por vagy víz juthat a nyílásba. Mindig tartsa tisztán a bemeneti nyílást.
14. A vezeték nélküli egységet csak a helyes irányban illeszse be.
15. Ne nyomja meg túl erősen és/vagy éles széllel rendelkező tárggyal a vezeték nélküli egységen található vezeték nélküli aktiválás gombot.
16. A nyílás fedelét a használatot követően mindig zárja be.
17. Ne távolítsa el a vezeték nélküli egységet a nyílásból, amíg a szerszámgép áram alatt van. Ha így tesz, az a vezeték nélküli egység meghibásodásához vezethet.
18. Ne távolítsa el a vezeték nélküli egységen található matricát.
19. Ne ragasszon matricát a vezeték nélküli egységre.
20. Ne hagyja olyan helyen a vezeték nélküli egységet, ahol statikus elektromosság vagy elektromos zaj keletkezhet.
21. Ne hagyja a vezeték nélküli egységet olyan helyen, ahol az magas hőmérsékletnek lehet kitéve, például egy autóban a napon.
22. Ne hagyja a vezeték nélküli egységet poros helyen, vagy olyan helyen, ahol korrozív gáz képződhet.
23. A hirtelen hőmérsékletváltozás következtében pára csapódhat le a vezeték nélküli egységen. Ne használja a vezeték nélküli egységet, amíg teljesen meg nem száradt.
24. A vezeték nélküli egység tisztításakor törölje át puha ronggyal. Ne használjon benzint, higítót, vezető kenőanyagot vagy más hasonló anyagot.
25. A vezeték nélküli egységet a vele szállított tokban vagy antisztatikus tárolóban tárolja.
26. A szerszámgépen található nyílásba csak a Makita vezeték nélküli egységet csatlakoztassa.
27. Ne használja a szerszámgépet, ha a nyílás fedele sérült. A nyílásba bejutó víz, por és szennyeződések hibát okozhatnak.
28. Ne húzza és/vagy fordítsa el a fedelet a szükségességnél nagyobb mértékben. Szerelje vissza a fedelet, ha leválik a szerszámgépről.
29. Ha a nyílás fedele elveszik vagy megsérül, cserélje ki.

## ŐRIZZE MEG EZEKET AZ UTASÍTÁSOKAT.

## A MŰKÖDÉS LEÍRÁSA

**⚠ VIGYÁZAT:** Minden esetben ellenőrizze, hogy a szerszám ki van kapcsolva és az akkumulátor eltávolításra került mielőtt beállít vagy ellenőriz valamilyen funkciót a szerszámon.

### Az akkumulátor behelyezése és eltávolítása

**⚠ VIGYÁZAT:** Mindig kapcsolja ki az eszközt, mielőtt behelyezi vagy eltávolítja az akkumulátort.

**⚠ VIGYÁZAT:** Az akkumulátor behelyezésekor vagy eltávolításakor erősen fogja meg a szerszámot és az akkumulátort. Ha nem fogja erősen a szerszámot és az akkumulátort, azok kicsúszhatnak a kezei közül, ami a szerszám és az akkumulátor károsodásához, de akár személyi sérüléshez is vezethet.

▶ **Ábra1:** 1. Piros jel 2. Gomb 3. Akkumulátor

Az akkumulátoregység kivételéhez nyomja be az akkumulátoregység elején található gombot, és húzza le a gépről.

Az akkumulátor beszereléséhez illeszse az akkumulátor nyelvét a burkolaton található vágatba és csúsztassa a helyére. Egészen addig tolja be, amíg az akkumulátor egy kis kattánással a helyére nem ugrik. Ha látható a piros jel a gomb felső oldalán, akkor a gomb nem kattant be teljesen.

**⚠ VIGYÁZAT:** Mindig tolja be teljesen az akkumulátort, amíg a piros jel el nem tűnik. Ha ez nem történik meg, akkor az akkumulátor kieshet a szerszámból, és Önnek vagy a környezetében másnak sérülést okozhat.

**⚠ VIGYÁZAT:** Ne erőltesse az akkumulátort behelyezésre. Ha az akkumulátor nem csúszik be könnyedén, akkor nem megfelelően lett behelyezve.

### Az akkumulátor töltöttségének jelzése

**Csak állapotjelzős akkumulátorok esetén**

▶ **Ábra2:** 1. Jelzőlámpák 2. Check (ellenőrzés) gomb

Nyomja meg az ellenőrzőgombot, hogy az akkumulátortöltöttség-jelző megmutassa a hátralévő akkumulátor-kapacitást. Ekkor a töltöttség-szint-jelző lámpák néhány másodpercre kigyulladnak.

Jelzőlámpák			Töltöttségi szint
Világító lámpa	KI	Villogó lámpa	
■	■	■	75%-tól 100%-ig
■	■	□	50%-tól 75%-ig
■	□	□	25%-tól 50%-ig
■	□	□	0%-tól 25%-ig
▬	□	□	Töltsse fel az akkumulátort.
■	□	□	Lehetséges, hogy az akkumulátor meghibásodott.
□	□	■	

**MEGJEGYZÉS:** Az adott munkafeltételektől és a környezet hőmérsékletétől függően a jelzett töltöttségi szint némileg eltérhet a tényleges töltöttségi szinttől.

**MEGJEGYZÉS:** Az első (bal oldali szélső) jelzőlámpa villog, ha az akkumulátorvédelem rendszer működik.

## Szerszám-/akkumulátorvédelem rendszer

A gép szerszám-/akkumulátorvédelem rendszerrel van felszerelve. A rendszer automatikusan kikapcsolja a motor áramellátását, így megnöveli a szerszám és az akkumulátor élettartamát. A gép használat közben automatikusan leáll, ha a szerszám vagy az akkumulátor a következő állapotok valamelyikébe kerül:

## Túlterhelésvédelem

Ha a szerszámot vagy akkumulátort úgy használják, hogy az rendellenesen nagy áramot vesz fel, akkor a szerszám mindenfajta jelzés nélkül leáll. Ilyenkor kapcsolja ki a szerszámot, és fejezze be azt a műveletet, amelyik a túlterhelést okozza. A munka újrajrkezdéséhez kapcsolja be a szerszámot.

## Túlmelegedés elleni védelem

Ha a szerszám vagy az akkumulátor túlmelegszik, akkor automatikusan leáll, és a lámpa villogni kezd. Ilyenkor hagyja lehűlni a szerszámot és az akkumulátort, mielőtt ismét munkához látna.

## Mélykisütés elleni védelem

Amikor az akkumulátor kapacitása már alacsony, a gép automatikusan leáll. Ebben az esetben távolítsa el az akkumulátort a szerszámból és tölts fel.

## A kapcsoló használata

**⚠ VIGYÁZAT:** Mielőtt a szerszámba helyezné az akkumulátort, mindig ellenőrizze, hogy az oldalsó kapcsoló megfelelően mozog, és visszatér kikapcsolt állásba, amikor a kapcsolókar hátulsó részét lenyomja.

▶ **Ábra3:** 1. Csúszókapcsoló

A szerszám bekapcsolásához csúsztassa a kapcsolót az „I (ON)” pozíció irányába. A folyamatos működtetéshez nyomja le a csúszókapcsoló elülső részét az elreteszeléshez.

A szerszám kikapcsolásához nyomja le a csúszókapcsoló hátsó részét, majd csúsztassa az „O (OFF)” pozíció irányába.

## Az elülső lámpa bekapcsolása

▶ **Ábra4:** 1. Lámpa

**⚠ VIGYÁZAT:** Ne tekintsen a fénybe vagy ne nézze egyenesen a fényforrást.

A lámpa bekapcsolásához kapcsolja be a kapcsolót. A lámpa addig fog világítani, amíg a kapcsoló be van kapcsolva. A lámpa a kapcsoló kikapcsolása után kb. 10 másodperccel alszik ki.

**MEGJEGYZÉS:** Száraz ruhadarabbal törölje le a szennyeződést a lámpa lencséjéről. Ügyeljen arra hogy ne karcolja meg a lámpa lencséjét, ez csökkentheti a megvilágítás erősségét.

**MEGJEGYZÉS:** A szerszám túlmelegedésekor a lámpa egy percig villog. Ebben az esetben az újabb művelet elkezdése előtt hagyja lehűlni a szerszámot.

## Véletlenszerű újraindítást megelőző funkció

Amikor az akkumulátor fel van helyezve az eszközre, és a csúszókapcsoló „I (ON)” állásban van, az eszköz nem indul. A szerszám bekapcsolásához tolja a csúszókapcsolót az „O (OFF)” állásba, majd vissza a „I (ON)” pozícióba.

## Elektronikus funkció

A szerszámot a könnyebb használat érdekében elektronikus funkciókkal szerelték fel.

- **Lágyindítás**  
A lágyindítási funkció minimalizálja az indítási löketet, és simává teszi a szerszám indulását.

## ÖSSZESZERELÉS

**⚠ VIGYÁZAT:** Minden esetben ellenőrizze, hogy a szerszám ki van kapcsolva és az akkumulátort levette, mielőtt bármilyen műveletet végez a szerszámon.

## A vágószerszám felhelyezése és eltávolítása

**MEGJEGYZÉS:** Ne húzza meg a befogópatron anyáját, ha nincs vágószerszám berakva, ellenkező esetben a befogópatronkúp eltörhet.

▶ **Ábra5:** 1. Befogópatron anyja 2. Csúszósáru 3. Tengelyretesz 4. Rögzíteni 5. Lazítsa meg

Nyomja le a tengelyreteszt a tengely forgásának megakadályozásához, amikor a vágószerszámot felszereli vagy leszereli. A vágószerszám felszereléséhez nyomja be azt a befogópatronkúpra, ameddig megy, majd húzza meg szorosan a befogópatron anyáját a csavarkulccsal vagy a csavarkulcsként használt csúszósáruval.

A vágószerszám eltávolításához kövesse a felhelyezési eljárást fordított sorrendben.

## A befogópatronkúp cseréje

### Ország-specifikus

**MEGJEGYZÉS:** A használni kívánt vágószerszámhoz a megfelelő méretű befogópatronkúpot használja.

**MEGJEGYZÉS:** Ne húzza meg a befogópatron anyáját, ha nincs vágószerszám berakva, ellenkező esetben a befogópatronkúp eltörhet.

▶ **Ábra6:** 1. Befogópatron kúp 2. Betét 3. Befogópatron anyja

A befogópatronkúp cseréjéhez lazítsa meg és távolítsa el a befogópatron anyáját. Cserélje le a beszerelt befogópatronkúpot a kívánt befogópatronkúpra. Szerelje vissza a befogópatron anyáját.

## A csúszósáru felszerelése

A csúszósáru felszereléséhez először lazítsa meg a szárnyascsavart. Csatlakoztassa a csúszósárut a szerszámhoz, majd rögzítse szorosan a szárnyascsavarral.

▶ **Ábra7:** 1. Csúszósáru 2. Szárnyascsavart



## Akasztó

**⚠ VIGYÁZAT:** Soha ne akassza a szerszámot magas helyre vagy nem teljesen stabil felületre.

▶ **Ábra8:** 1. Horony 2. Akasztó 3. Csavar

Az akasztó a szerszám ideiglenes felakasztására szolgál.

Az akasztó felszereléséhez helyezze azt a gép burkolatán található hornyok valamelyikébe, majd rögzítse egy csavarral. A leszereléshez csavarja ki a csavart, majd vegye le az alkatrészt.

## Szj rögzítésére szolgáló lyuk

A szj rögzítésére szolgáló lyuk arra szolgál, hogy a szerszámot szj segítségével a falra akasszák.

▶ **Ábra9:** 1. Szj rögzítésére szolgáló lyuk

**⚠ FIGYELMEZTETÉS:** A szj rögzítésére szolgáló lyukat kizárólag a szerszám falra akasztásának céljára használja. Ellenkező esetben súlyos sérülést okozhat, mert a szj rögzítésére szolgáló lyuk semmilyen más célra nem szolgál, csak a szerszám falra akasztására.

## ÜZEMELTETÉS

**⚠ VIGYÁZAT:** Kerülje a vágószerszám erőltetését, nehogy meghajoljon vagy megcsavarodjon. Elpattanhat.

**⚠ VIGYÁZAT:** A szerszám bekapcsolása előtt győződjön meg róla, hogy a vágószerszám és a befogópatron anyája biztosan be van-e húzva.

**⚠ VIGYÁZAT:** Mindig úgy használja a szerszámot, hogy alapelemez csatlakoztat, például a csúsósarut vagy a porszívó fedőlapját.

Tartsa biztosan a szerszámot úgy, hogy a vágószer-  
szám biztonságos irányba mutasson, amíg nem érintke-  
zik semmilyen felülettel. Kapcsolja be a szerszámot, és  
várja meg, amíg a szerszám eléri a teljes sebességet.

▶ **Ábra10**

Amikor bevezeti a szárazfalazatba való vezetőhornyos  
vágószerzámot a szárazfalazatba, óvatosan tolja be  
egyenesen a vágószerzámot addig, amíg a saru alap-  
lemeze teljesen nem érintkezik az anyaggal.

Vágáshoz mozgassa a szerszámot lassan, egyenlete-  
sen nyomva, az órajárás irányába.

▶ **Ábra11:** 1. Vezetőlemez

Egyenes vonal vágásakor szorosan rögzítsen vezetőle-  
mezt az anyaghoz, és használja vezetőként. Mozdassa  
a szerszámot a nyíl irányába úgy, hogy a saru alaple-  
meze egyvonalban legyen a vezetőlemez oldalával.

Amikor a vágás elkészült, kapcsolja ki a szerszámot,  
és várja meg, amíg a vágószerzám forgása leáll, majd  
óvatosan húzza ki az anyagból.

**MEGJEGYZÉS:** Ne fejtessen ki túlzott erőt a vágó-  
szerszámra az anyag ellenében. Ellenkező esetben  
a vágószerzám eltompulhat vagy eltörhet, illetve a  
szerszám meghibásodhat.

**MEGJEGYZÉS:** Ha konnektordoboz körül vágja a  
szárazfalat, vágja az órajárással ellentétes irányban a  
könnyebb vágás érdekében.

**MEGJEGYZÉS:** A szerszámhoz mellékel standard  
vágószerzám kizárólag szárazfal vágására szolgál.  
A szárazfaltól eltérő más anyagok vágásához ne  
használja a standard szárazfalazatba való vezetőhor-  
nyos vágószerzámot.

## Porszívó fedőlap

A műveletek tisztább végrehajtása érdekében használja  
a porszívó fedőlapot, és csatlakoztassa a szerszámot  
egy Makita porszívóhoz.

▶ **Ábra12:** 1. Szerszám 2. Porszívó fedőlap  
3. Gégecső 4. Porszívó

Lazítsa meg a szárnyascsavart és távolítsa el a sarut.  
Csatlakoztassa a porszívó fedőlapot és rögzítse a  
szárnyascsavarral.

▶ **Ábra13:** 1. Szárnyascsavar 2. Porszívó fedőlap

**MEGJEGYZÉS:** A körvezető (opcionális kiegészítő) a  
porszívó fedőlapra szerelhető fel.

## Többfunkciós vágószerzám használata

### Opcionális kiegészítők

Amikor megkezdí a munkát a többfunkciós vágószerzám-  
mal az anyagban, tartsa a szerszámot kb.45 fokos szögben  
úgy, hogy a saru alapelemének széle érintse az anyagot.

▶ **Ábra14**

Óvatosan mozgassa a szerszámot egyenes helyzetbe, hogy a  
saru alapeleme teljes mértékben érintkezzen az anyaggal.

▶ **Ábra15**

## Körvezető

### Opcionális kiegészítők

Körvágás átmérő: 10 cm - 34 cm

## A körvezető felszerelése

Távolítsa el a csúsósarut rögzítő szárnyascsavart.

▶ **Ábra16:** 1. Szárnyascsavar 2. Csúsósaru

Igazítsa a körvezetőben található kiemelkedéseket a  
sarusban található hornyokba, és rögzítse a sarut és a  
körvezetőt a szárnyascsavarral.

▶ **Ábra17:** 1. Kiemelkedések 2. Csúsósaru

A vágási mélység beállításához lazítsa meg a szárnyas-  
csavart, majd csúsztassa a csúsósarut a körvezetővel.

A beállítás után alaposan húzza meg a szárnyascsavart.

▶ **Ábra18:** 1. Szárnyascsavar 2. Körvezető

3. Csúsósaru 4. Lazítsa meg 5. Rögzíteni

## A körvezető

Lazítsa meg a gombot, és állítsa be a helyzetét a vágni kívánt  
kör méretének megfelelően. (A vágni kívánt lyuk sugara  
általános iránymutatóként szerepel a körvezető oldalán.) A  
beállítás befejezése után rögzítse biztosan a gombot.

▶ **Ábra19:** 1. Gomb 2. Rögzíteni 3. Lazítsa meg

Helyezze a gomb hegyét a vágni kívánt kör közepébe,  
és kezdje a vágást az órajárás irányában haladva.

▶ **Ábra20:** 1. Gomb

# VEZETÉK NÉLKÜLI AKTIVÁLÁS FUNKCIÓ

## Mire használható a vezeték nélküli aktiválás funkció?

A vezeték nélküli aktiválás funkció tiszta és kényelmes munkavégést tesz lehetővé. Ha egy támogatott porszívót csatlakoztat a szerszámegpéhez, a porszívót automatikusan működtetheti a szerszámegpéjével.

► **Ábra21**

A vezeték nélküli aktiválás funkció használatához a következőkre van szüksége:

- A vezeték nélküli egység (opcionális tartozék)
- A vezeték nélküli aktiválás funkciót támogató porszívó

A vezeték nélküli aktiválás funkció beállításának áttekintését az alábbiakban találja. A részletes eljárásokkal kapcsolatos információkért tekintse meg az egyes szakaszokat.

1. A vezeték nélküli egység felszerelése
2. A szerszámegpé regisztrációja a porszívóval
3. A vezeték nélküli aktiválás funkció elindítása

## A vezeték nélküli egység felszerelése

### Opcionális kiegészítők

**⚠ VIGYÁZAT:** Helyezze a szerszámegpét sík és stabil felületre a vezeték nélküli egység felszereléséhez.

**MEGJEGYZÉS:** A vezeték nélküli egység felszerelése előtt tisztítsa meg a szerszámegpét a portól és a szennyeződéstől. A por és a szennyeződés meghibásodást okozhat a vezeték nélküli egység nyílásába kerülve.

**MEGJEGYZÉS:** A statikus elektromosság által okozott meghibásodás elkerülése érdekében érintse meg a szerszámegpé statikus kisütésre alkalmas anyagból, például fémből készült alkatrészét, mielőtt a vezeték nélküli egységhez érne.

**MEGJEGYZÉS:** A vezeték nélküli egység felszerelésekor ügyeljen rá, hogy a vezeték nélküli egységet a megfelelő irányban illessze be, és a fedél teljesen zárva legyen.

1. Az ábrának megfelelően nyissa ki a szerszámegpén található fedelet.

► **Ábra22:** 1. Fedél

2. Illessze be a vezeték nélküli egységet a nyílásba, és zárja be a fedelet.

A vezeték nélküli egység beillesztésekor igazítsa a nyúlványokat a nyílás süllyesztett részeihez.

► **Ábra23:** 1. Vezeték nélküli egység 2. Nyúlvány 3. Fedél 4. Süllyesztett rész

A vezeték nélküli egység eltávolításakor lassan nyissa ki a fedelet. Amikor felhúzza a fedelet, a fedél hátoldalán található horgok lassan kiemelik a vezeték nélküli egységet.

► **Ábra24:** 1. Vezeték nélküli egység 2. Horog 3. Fedél

A vezeték nélküli egységet az eltávolítását követően tartsa a vele szállított tokban vagy antisztatikus tárolóban.

**MEGJEGYZÉS:** A vezeték nélküli egység eltávolításához mindig a fedél hátoldalán található horgokat használja. Ha a horgok nem akadnak bele a vezeték nélküli egységbe, ismét zárja vissza a fedelet, és nyissa ki ismét lassan.

## A szerszámegpé regisztrációja a porszívóval

**MEGJEGYZÉS:** A szerszámegpé regisztrálásához a vezeték nélküli aktiválás funkciót támogató porszívóra van szükség.

**MEGJEGYZÉS:** A szerszámegpé regisztrációjának megkezdése előtt szerelje be a vezeték nélküli egységet a szerszámegpébe.

**MEGJEGYZÉS:** A szerszámegpé regisztrálása közben ne nyomja meg a kapcsológombot, és ne fordítsa el a tápkapcsolót a porszívón.

**MEGJEGYZÉS:** Tekintse át a porszívó használati útmutatóját is.

Ha a szerszámegpé kapcsolójának működtetésével egyidejűleg kívánja aktiválni a porszívót, akkor először végezze el a szerszámegpé regisztrációját.

1. Illessze be az akkumulátorokat a porszívóba és a szerszámegpébe.

2. Állítsa a porszívó készenléti kapcsolóját „AUTO” helyzetbe.

► **Ábra25:** 1. Készenléti kapcsoló

3. Nyomja le a porszívó vezeték nélküli aktiválás gombját 3 másodpercig, amíg a vezeték nélküli aktiválás lámpája zölden nem villog. Ezután nyomja le ugyanígy a szerszámegpé vezeték nélküli aktiválás gombját.

► **Ábra26:** 1. Vezeték nélküli aktiválás gomb  
2. Vezeték nélküli aktiválás lámpája

A porszívó és a szerszámegpé sikeres összekapcsolása esetén a vezeték nélküli aktiválás lámpája 2 másodpercig zölden világít, majd kéken kezd villogni.

**MEGJEGYZÉS:** A vezeték nélküli aktiválás lámpája a zölden villogást 20 másodperc elteltével fejezi be. Addig nyomja meg a szerszámegpé vezeték nélküli aktiválás gombját, amíg a porszívón villog a vezeték nélküli aktiválás lámpája. Ha a vezeték nélküli aktiválás lámpája nem villog zölden, akkor nyomja le röviden a vezeték nélküli aktiválás gombot, és tartsa ismét lenyomva.

**MEGJEGYZÉS:** Ha kettő vagy több szerszámegpé regisztrál egy porszívóhoz, akkor a szerszámegpé regisztrálását egymás után végezze el.

## A vezeték nélküli aktiválás funkció elindítása

**MEGJEGYZÉS:** A vezeték nélküli aktiválás előtt végezze el a szerszámegpé regisztrálását.

**MEGJEGYZÉS:** Tekintse át a porszívó használati útmutatóját is.

Miután regisztrált egy szerszámegpé a porszívóhoz, a porszívó automatikusan a szerszámegpé kapcsolójának működtetésével egyszerre üzemel.

- Szerelje fel a vezeték nélküli egységet a szerszámgépre.
  - Csatlakoztassa a porszívó csövét a szerszámgéphez.  
▶ **Ábra27**
  - Állítsa a porszívó készenléti kapcsolóját „AUTO” helyzetbe.  
▶ **Ábra28:** 1. Készenléti kapcsoló
  - Nyomja meg röviden a szerszámgép vezeték nélküli aktiválás gombját. A vezeték nélküli aktiválás gomb kéken villog.  
▶ **Ábra29:** 1. Vezeték nélküli aktiválás gomb  
2. Vezeték nélküli aktiválás lámpája
  - Nyomja meg a szerszámgép kapcsológombját. Ellenőrizze, hogy működik-e a porszívó a kapcsológomb nyomva tartásakor.
- A porszívó vezeték nélküli aktiválásának leállításához nyomja meg a szerszámgép vezeték nélküli aktiválás gombját.

**MEGJEGYZÉS:** Ha 2 órán keresztül nem működtetik, akkor a szerszámgép vezeték nélküli aktiválás lámpájának kék villogása leáll. Ebben az esetben állítsa az „AUTO” helyzetbe a porszívó készenléti kapcsolóját, és nyomja meg ismét a szerszámgépen a vezeték nélküli aktiválás gombját.

**MEGJEGYZÉS:** A porszívó késleltetéssel indul/áll le. A porszívó időben eltolva érzékeli a szerszámgép kapcsológombos működtetését.



**MEGJEGYZÉS:** A vezeték nélküli egység átviteli távolsága a helyszíntől és a környezeti feltételektől függően eltérhet.

**MEGJEGYZÉS:** Ha egy porszívóhoz két vagy több szerszámgép van regisztrálva, akkor a porszívó a kapcsológomb megnyomása nélkül is működhet, mert egy másik felhasználó is használja a vezeték nélküli aktiválás funkciót.

## A vezeték nélküli aktiválás lámpa állapotának leírása

▶ **Ábra30:** 1. Vezeték nélküli aktiválás lámpája

A vezeték nélküli aktiválás lámpa a vezeték nélküli aktiválás funkció állapotáról tájékoztat. A lámpa állapotának jelentésével kapcsolatban az alábbi táblázatban talál információkat.

Állapot	Vezeték nélküli aktiválás lámpája				Leírás
	Szín	 Be	 Villogó lámpa	Időtartam	
Készenléti	Kék	<input checked="" type="checkbox"/>		2 óra	A porszívó vezeték nélküli aktiválás funkciója rendelkezésre áll. A lámpa automatikusan kikapcsol, ha a szerszámgépet 2 órán át nem működtetik.
		<input type="checkbox"/>		Amikor a szerszámgép működik.	A porszívó vezeték nélküli aktiválás funkciója rendelkezésre áll, és a szerszámgép üzemel.
Szerszámgép regisztrálása	Zöld	<input checked="" type="checkbox"/>		20 másodperc	A szerszámgép készen áll a regisztrálására. Várakozás a porszívón történő regisztrálásra.
		<input type="checkbox"/>		2 másodperc	A szerszámgép regisztrálása befejeződött. A vezeték nélküli aktiválás lámpája kéken kezd villogni.
A szerszámgép regisztrálásának visszavonása	Piros	<input checked="" type="checkbox"/>		20 másodperc	Készen áll a szerszámgép regisztrációjára. Várakozás a porszívón történő regisztrálás visszavonására.
		<input type="checkbox"/>		2 másodperc	A szerszámgép regisztrációjának visszavonása befejeződött. A vezeték nélküli aktiválás lámpája kéken kezd villogni.
Egyebek	Piros	<input type="checkbox"/>		3 másodperc	A vezeték nélküli egység tápellátást kap, és a vezeték nélküli aktiválás funkció elindul.
	Ki	-		-	A porszívó vezeték nélküli aktiválása leállt.

## A szerszámgép porszívón történő regisztrációjának visszavonása

A szerszámgép porszívón történő regisztrálásakor tegye a következőket.

- Illessze be az akkumulátorokat a porszívóba és a szerszámgépbe.
- Állítsa a porszívó készenléti kapcsolóját „AUTO” helyzetbe.  
▶ **Ábra31:** 1. Készenléti kapcsoló
- Nyomja le 6 másodpercre a porszívó vezeték nélküli aktiválás gombját. A vezeték nélküli aktiválás gombja zölden villog, majd pirosra vált. Ezután nyomja le ugyanígy a szerszámgép vezeték nélküli aktiválás gombját.  
▶ **Ábra32:** 1. Vezeték nélküli aktiválás gomb  
2. Vezeték nélküli aktiválás lámpája

Ha a visszavonás sikeres volt, a vezeték nélküli aktiválás lámpája 2 másodpercig pirosan világít, majd kéken kezd villogni.

**MEGJEGYZÉS:** A vezeték nélküli aktiválás lámpája a pirosan villogást 20 másodperc elteltével fejezi be. Addig nyomja meg a szerszámgép vezeték nélküli aktiválás gombját, amíg a porszívón villog a vezeték nélküli aktiválás lámpája. Ha a vezeték nélküli aktiválás lámpája nem villog pirosan, akkor nyomja le röviden a vezeték nélküli aktiválás gombot, és tartsa ismét lenyomva.

## A vezeték nélküli aktiválás funkció hibaelhárítása

Mielőtt a szervizhez fordulna, először végezzen saját maga is átvizsgálást. Ha olyan problémát talál, amire a kézikönyv nem tartalmaz magyarázatot, ne próbálja meg szétszedni az eszközt. Ehelyett kérjen tanácsot a Makita hivatalos szervizközpontjától, és javításhoz mindig Makita cserealkatrészeket használjon.

Rendellenesség	Lehetséges ok (meghibásodás)	Megoldás
A vezeték nélküli aktiválás lámpája nem világít/villog.	A vezeték nélküli egység nincs felszerelve a szerszámgépre. A vezeték nélküli egység nincs megfelelően felszerelve a szerszámgépre.	Szerelje fel helyesen a vezeték nélküli egységet.
	A vezeték nélküli egység és/vagy a nyílás érintkezője szennyezett.	Óvatosan törölje le a port és a szennyeződést a vezeték nélküli egység érintkezőjéről, és tisztítsa meg a nyílást.
	Nem lett lenyomva a szerszámgép vezeték nélküli aktiválás gombja.	Nyomja meg röviden a szerszámgép vezeték nélküli aktiválás gombját.
	A porszívó készenléti kapcsolója nincs „AUTO” helyzetbe állítva.	Állítsa a porszívó készenléti kapcsolóját „AUTO” helyzetbe.
	Nincs tápellátás	Biztosítsa a szerszámgép és a porszívó tápellátását.
Nem lehet sikeresen befejezni a szerszámgép regisztrációját/ szerszámgép regisztrációjának visszavonását.	A vezeték nélküli egység nincs felszerelve a szerszámgépre. A vezeték nélküli egység nincs megfelelően felszerelve a szerszámgépre.	Szerelje fel helyesen a vezeték nélküli egységet.
	A vezeték nélküli egység és/vagy a nyílás érintkezője szennyezett.	Óvatosan törölje le a port és a szennyeződést a vezeték nélküli egység érintkezőjéről, és tisztítsa meg a nyílást.
	A porszívó készenléti kapcsolója nincs „AUTO” helyzetbe állítva.	Állítsa a porszívó készenléti kapcsolóját „AUTO” helyzetbe.
	Nincs tápellátás	Biztosítsa a szerszámgép és a porszívó tápellátását.
	Nem megfelelő működés	Nyomja meg röviden a vezeték nélküli aktiválás gombját, és hajtsa végre ismét a szerszámgép regisztrációját/szerszámgép regisztrációjának visszavonását.
	A szerszámgép és a porszívó túl messze vannak egymástól (az átviteli hatótávolságon túl).	Vigye közelebb egymáshoz a porszívót és a szerszámgépet. A maximális átviteli távolság kb. 10 méter, azonban ez a feltételektől függően eltérő lehet.
	Mielőtt befejezte a szerszámgép regisztrációját/szerszámgép regisztrációjának visszavonását; - megnyomták a szerszámgép kapcsológombját, vagy; - elfordították a porszívó bekapcsológombját.	Nyomja meg röviden a vezeték nélküli aktiválás gombját, és hajtsa végre ismét a szerszámgép regisztrációját/szerszámgép regisztrációjának visszavonását.
	A szerszámgép vagy a porszívó szerszámgép-regisztrálási eljárása még nem fejeződött be.	Hajtsa végre egyszerre a szerszámgép és a porszívó szerszámgép-regisztrálási eljárását.
	Nagy intenzitású rádióhullámokat generáló egyéb berendezések által okozott rádiójel-zavarás.	Tartsa távol a szerszámgépet és a porszívót a Wi-Fi-eszközöktől, mikrohullámú sütőktől és hasonlóktól.

Rendellenesség	Lehetséges ok (meghibásodás)	Megoldás
A porszívó nem a szerszámgép működtetésével összehangolva üzemel.	A vezeték nélküli egység nincs felszerelve a szerszámgépre. A vezeték nélküli egység nincs megfelelően felszerelve a szerszámgépre.	Szerelje fel helyesen a vezeték nélküli egységet.
	A vezeték nélküli egység és/vagy a nyílás érintkezője szennyezett.	Óvatosan törölje le a port és a szennyeződést a vezeték nélküli egység érintkezőjéről, és tisztítsa meg a nyílást.
	Nem lett lenyomva a szerszámgép vezeték nélküli aktiválás gombja.	Nyomja le röviden a vezeték nélküli aktiválás gombját, és győződjön meg róla, hogy a vezeték nélküli aktiválás lámpája kéken villog.
	A porszívó készenléti kapcsolója nincs „AUTO” helyzetbe állítva.	Állítsa a porszívó készenléti kapcsolóját „AUTO” helyzetbe.
	Több mint 10 szerszámgép van a porszívón regisztrálva.	Hajtsa végre ismét a szerszámgép regisztrációját. Ha több mint 10 szerszámgép van regisztrálva a porszívóhoz, akkor az először regisztrált szerszámgép automatikusan törlődni fog.
	A porszívó minden szerszámgép-regisztrációt törölt.	Hajtsa végre ismét a szerszámgép regisztrációját.
	Nincs tápellátás	Biztosítsa a szerszámgép és a porszívó tápellátását.
	A szerszámgép és a porszívó túl messze vannak egymástól (az átviteli hatótávolságon túl).	Vigye közelebb egymáshoz a porszívót és a szerszámgépet. A maximális átviteli távolság kb. 10 méter, azonban ez a feltételektől függően eltérő lehet.
	Nagy intenzitású rádióhullámokat generáló egyéb berendezések által okozott rádiójel-zavarás.	Tartsa távol a szerszámgépet és a porszívót a Wi-Fi-eszközöktől, mikrohullámú sütőktől és hasonlótól.
A porszívó a szerszámgép kapcsológombjának lenyomása nélkül is működik.	Más felhasználók használják a porszívó vezeték nélküli aktiválás funkcióját a saját szerszámgépeikkel.	Kapcsolja ki a többi szerszámgép vezeték nélküli aktiválás gombját, vagy vonja vissza a többi szerszámgép regisztrációját.

## KARBANTARTÁS

**⚠ VIGYÁZAT:** Minden esetben ellenőrizze, hogy a szerszám ki van kapcsolva és az akkumulátor eltávolításra került mielőtt átvizsgálja a szerszámot vagy annak karbantartását végzi.

**MEGJEGYZÉS:** Soha ne használjon gázolajt, benzint, hígítót, alkoholt vagy hasonló anyagokat. Ezek elszíneződést, alakvesztést vagy repedést okozhatnak.

A termék BIZTONSÁGÁNAK és MEGBÍZHATÓSÁGÁNAK fenntartása érdekében a javításokat és más karbantartásokat vagy beállításokat a Makita hivatalos vagy gyári szervizközpontjában kell elvégezni, mindig csak Makita cserealkatrészeket használva.

### A szellőzőnyílások tisztítása

A szerszámot és szellőzőnyílásait tisztán kell tartani. Rendszeresen tisztítsa meg a szerszám szellőzőnyílásait, akkor is, ha kezdenek eltömődni.

► **Ábra33:** 1. Elszívónyílás 2. Beszívónyílás

**⚠ VIGYÁZAT:** Tisztítsa ki a szellőzőnyílásokat, ha a fűrészpap vagy idegen tárgyak eltömítik azokat. Ha eltömődött szellőzőnyílásokkal folytatja a működtetést, az tüzet okozhat.

## OPCIONÁLIS KIEGÉSZÍTŐK

**⚠ VIGYÁZAT:** Ezen kiegészítőket és tartozékokat javasoljuk a kézikönyvben ismertetett Makita szerszámhoz. Bármilyen más kiegészítő vagy tartozék használata a személyi sérülés kockázatával jár. A kiegészítőket vagy tartozékokat csak rendeltetészerűen használja.

Ha bármilyen segítségre vagy további információkra van szüksége ezekkel a tartozékokkal kapcsolatban, keresse fel a helyi Makita Szervizközpontot.

- Szárazfalazatba való vezetőhornyos vágószerszám
- Többfunkciós vágószerszám
- Befogópatronkúp
- Csavarkulcs
- Körvezető
- Porszívó fedőlap
- Akasztó
- Vezeték nélküli egység
- Eredeti Makita akkumulátor és töltő

**MEGJEGYZÉS:** A listán felsorolt néhány kiegészítő megtalálható az eszköz csomagolásában standard kiegészítőként. Ezek országonként eltérőek lehetnek.

## TECHNICKÉ ŠPECIFIKÁCIE

<b>Model:</b>		<b>DCO181</b>
Kapacita skľučovadla puzdra		3,0 mm, 3,18 mm, 6,0 mm, 6,35 mm
Otáčky naprázdno		32 000 min <sup>-1</sup>
Celková dĺžka	model BL1820B	293 mm
	model BL1860B	311 mm
Menovité napätie		Jednosmerný prúd 18 V
Čistá hmotnosť		1,4 – 1,7 kg

- Vzhľadom k neustálemu výskumu a vývoju podliehajú technické údaje uvedené v tomto dokumente zmenám bez upozornenia.
- Technické špecifikácie a typ akumulátora sa môžu v rámci jednotlivých krajín líšiť.
- Hmotnosť sa môže líšiť v závislosti od nadstavcov vrátane akumulátora. Najťažšia a najťažšia kombinácia v súlade s postupom EPTA 01/2014 je uvedená v tabuľke.

## Použiteľné akumulátory a nabíjačky

Akumulátor	BL1815N / BL1820 / BL1820B / BL1830 / BL1830B / BL1840 / BL1840B / BL1850 / BL1850B / BL1860B
Nabíjačka	DC18RC / DC18RD / DC18RE / DC18SD / DC18SE / DC18SF / DC18SH

- Niektoré vyššie uvedené akumulátory a nabíjačky môžu byť nedostupné v závislosti od miesta vášho bydliska.

**VAROVANIE:** Používajte iba akumulátory a nabíjačky zo zoznamu uvedeného vyššie. Používanie akýchkoľvek iných akumulátorov a nabíjačiek môže spôsobiť zranenie a/alebo požiar.

## Určené použitie

Tento nástroj je určený na hranové frézovanie a profilovanie dreva, plastu a podobných materiálov.

## Hluk

Typická hladina akustického tlaku záťaže A určená podľa štandardu EN62841-2-17:

Úroveň akustického tlaku ( $L_{pA}$ ): 78 dB (A)

Odchýlka (K): 3 dB (A)

Úroveň hluku pri práci môže prekročiť 80 dB (A).

**POZNÁMKA:** Deklarovaná hodnota emisií hluku bola meraná podľa štandardnej skúšobnej metódy a môže sa použiť na porovnanie jedného nástroja s druhým.

**POZNÁMKA:** Deklarovaná hodnota emisií hluku sa môže použiť aj na predbežné posúdenie vystavenia ich účinkom.

**VAROVANIE:** Používajte ochranu sluchu.

**VAROVANIE:** Emisie hluku sa môžu počas skutočného používania elektrického nástroja odlišovať od deklarovanej hodnoty, a to v závislosti od spôsobov používania náradia a najmä typu spracúvaného obrobku.

**VAROVANIE:** Nezabudnite označiť bezpečnostné opatrenia s cieľom chrániť obsluhu, a to tie, ktoré sa zakladajú na odhade vystavenia účinkom v rámci reálnych podmienok používania (berúc do úvahy všetky súčasti prevádzkového cyklu, ako sú doby, kedy je nástroj vypnutý a kedy beží bez zaťaženia, ako dodatok k dobe zapnutia).

## Vibrácie

Celková hodnota vibrácií (trojosový vektorový súčet) určená podľa štandardu EN62841-2-17:

Režim činnosti: voľnobežné otáčanie

Emisie vibrácií ( $a_{h}$ ): 2,5 m/s<sup>2</sup> alebo menej

Odchýlka (K): 1,5 m/s<sup>2</sup>

**POZNÁMKA:** Deklarovaná celková hodnota vibrácií bola meraná podľa štandardnej skúšobnej metódy a môže sa použiť na porovnanie jedného nástroja s druhým.

**POZNÁMKA:** Deklarovaná celková hodnota vibrácií sa môže použiť aj na predbežné posúdenie vystavenia ich účinkom.

**VAROVANIE:** Emisie vibrácií sa môžu počas skutočného používania elektrického nástroja odlišovať od deklarovanej hodnoty, a to v závislosti od spôsobov používania náradia a najmä typu spracúvaného obrobku.

**VAROVANIE:** Nezabudnite označiť bezpečnostné opatrenia s cieľom chrániť obsluhu, a to tie, ktoré sa zakladajú na odhade vystavenia účinkom v rámci reálnych podmienok používania (berúc do úvahy všetky súčasti prevádzkového cyklu, ako sú doby, kedy je nástroj vypnutý a kedy beží bez zaťaženia, ako dodatok k dobe zapnutia).

## Vyhlasenie o zhode ES

### Len pre krajiny Európy

Vyhlasenie o zhode ES sa nachádza v prílohe A tohto návodu na obsluhu.

## BEZPEČNOSTNÉ VAROVANIA

### Všeobecné bezpečnostné predpisy pre elektrické nástroje

**VAROVANIE:** Preštudujte si všetky bezpečnostné varovania, pokyny, vyobrazenia a technické špecifikácie určené pre tento elektrický nástroj. Pri nedodržaní všetkých nižšie uvedených pokynov môže dôjsť k úrazu elektrickým prúdom, požiaru alebo vážnemu zraneniu.

### Všetky výstrahy a pokyny si odložte pre prípad potreby v budúcnosti.

Pojem „elektrický nástroj“ sa vo výstrahách vzťahuje na elektricky napájané elektrické nástroje (s káblom) alebo batériu napájané elektrické nástroje (bez kábla).

### Bezpečnostné varovania pre akumulátorovú priamu frézu

1. Elektrické náradie pri práci držte len za izolované úchopné povrchy, lebo rezné príslušenstvo sa môže dostať do kontaktu so skrytými vodičmi. Rezné príslušenstvo, ktoré sa dostane do kontaktu so „živým“ vodičom môžu spôsobiť vystavenie kovových častí elektrického náradia „živému“ prúdu a spôsobiť tak obsluhu zasiahnutie elektrickým prúdom.
2. Pomocou svoriek alebo iným praktickým spôsobom zaistíte a podopriete obrobok k stabilnému povrchu. Pri držaní obrobku rukou alebo pri jeho opretí oproti telu nebude stabilný a môžete nad ním stratiť kontrolu.
3. Používajte ochranu zraku a protiprachovú masku.
4. Pracovné miesto primerane vetrajte.
5. Pred prácou dôkladne skontrolujte vrták, či neobsahuje praskliny alebo iné poškodenie. Okamžite vymeňte prasknutý alebo poškodený vrták.
6. Pred rezaním skontrolujte správnu medzeru pod obrobkom, aby vrták nenarazil na tvrdý povrch, napríklad dlážku, pracovný stôl a pod.
7. Nerežte kovové predmety ako kĺnce a skrutky. Pred prácou skontrolujte, či na obrobku nie sú kĺnce, skrutky či iné cudzie materiály a prípadne ich odstráňte.
8. Skôr, ako zapnete spínač, skontrolujte, či sa vrták nedotýka obrobku. Pri zapínaní nástroj vždy držte oboma rukami. Moment motora môže spôsobiť otočenie nástroja.

9. Predtým, ako použijete nástroj na konkrétnom obrobku, nechajte ho chvíľu bežať. Sledujte, či nedochádza k vibráciám alebo hádzaniu, ktoré by mohli naznačovať nesprávne namontovaný vrták.
10. Predtým, ako zapnete spínač, skontrolujte, či je posúvačový uzáver uvoľnený.
11. Nástroj vždy požívajte s fasetou pevne nasadenou na nástroj a umiestnenou rovno a pevne oproti obrobku.
12. Držte nástroj pevne.
13. Žiadne úkony nevykonávajte tak, že obrobok podopierate alebo vediete pomocou rúk.
14. Ruky držte mimo dosahu pohyblivých častí.
15. Nepoužívajte tento nástroj na vrátenie.
16. Nenechávajte nástroj bežať bez dozoru. Pracujte s ním, len keď ho držíte v rukách.
17. Predtým, ako vyberiete vrták z obrobku, vypnite nástroj a vždy počkajte, kým sa vrták úplne nezastaví.
18. Nedotýkajte sa vrtáka alebo obrobku hneď po úkone; môžu byť extrémne horúce a môžu popáliť vašu pokožku.
19. Vždy používajte nože so správnym priemerom drieku ostria a také, ktoré sú vhodné pre konkrétnu rýchlosť nástroja.
20. Nástroj položte na rovný a stabilný povrch. V opačnom prípade môže dôjsť k pádu a zraneniu osôb.

### TIETO POKYNY USCHOVAJTE.

**VAROVANIE:** NIKDY nepripustíte, aby pohodlie a dobrá znalosť výrobku (získané opakovaným používaním) nahradili presné dodržiavanie bezpečnostných pravidiel pre náradie. NESPRÁVNE POUŽÍVANIE alebo nedodržiavanie bezpečnostných pokynov uvedených v tomto návode na obsluhu môže spôsobiť vážne poranenia osôb.

### Dôležité bezpečnostné a prevádzkové pokyny pre akumulátor

1. Pred použitím akumulátora si prečítajte všetky pokyny a výstražné označenia na (1) nabíjačke akumulátorov, (2) akumulátore a (3) produkte používajúcom akumulátor.
2. Akumulátor nerozoberajte ani neupravujte. Môže to viesť k požiaru, nadmernému teplu alebo výbuchu.
3. Ak sa doba prevádzky príliš skráti, ihneď prerušte prácu. Môže nastať riziko prehriatia, možných popálením či dokonca explózie.
4. V prípade zasiahnutia oči elektrolytom ich vypláchnite čistou vodou a okamžite vyhľadajte lekársku pomoc. Môže dôjsť k strate zraku.
5. Akumulátor neskratujte:
  - (1) Nedotýkajte sa konektorov žiadnym vodivým materiálom.

(2) Neskladujte akumulátor v obale s inými kovovými predmetmi, napríklad klincami, mincami a pod.

(3) Akumulátor nevystavujte vode ani dažďu. Skrat akumulátora môže spôsobiť veľký tok prúdu, prehriate, možné popáleniny či dokonca poruchu.

6. Nástroj ani akumulátor neskladujte a nepoužívajte na miestach s teplotou presahujúcou 50 °C (122 °F).
7. Akumulátor nespájajte, ani keď je vážne poškodený alebo úplne opotrebovaný. Akumulátor môže v ohni explodovať.
8. Akumulátor neprepichujte, neprerezávajte, nedrvtvte, nehádzte ani ho nenarúšajte údermi o tvrdé predmety. Môže to viesť k požiaru, nadmernému teplu alebo výbuchu.
9. Nepoužívajte poškodený akumulátor.
10. Litium-iónové akumulátory, ktoré sú súčasťou náradia, podliehajú požiadavkám legislatívy o nebezpečnom tovare.  
V prípade obchodnej prepravy, napr. dodanie tretími stranami či špeditéri, sa musia dodržiavať špeciálne požiadavky na zabalenie a označenie. Pred prípravou položky na odoslanie sa vyžaduje konzultácia s odborníkom na nebezpečný materiál. Taktiež treba dodržiavať potenciálne podrobnejšie predpisy príslušnej krajiny.  
Prelepte alebo zakryte otvorené kontakty a zabaľte akumulátor tak, aby sa v balíku nemohol voľne pohybovať.
11. Akumulátor pri likvidácii odstráňte z nástroja a zlikvidujte ho na bezpečnom mieste. Akumulátor zlikvidujte v súlade s miestnymi nariadeniami.
12. Akumulátory používajte iba s výrobkami uvedenými spoločnosťou Makita. Inštalácia akumulátorov do nevyhovujúcich výrobkov môže spôsobiť požiar, nadmerné teplo, výbuch alebo únik elektrolytov.
13. Ak sa nástroj dlhší čas nepoužíva, odstráňte z neho akumulátor.
14. Akumulátor sa môže počas používania a po použití zohriať, čo môže spôsobiť popáleniny alebo popáleniny aj pri relatívne nízkej teplote. Pri manipulácii s horúcimi akumulátormi dávajte pozor.
15. Nedotýkajte sa svorky nástroja ihneď po použití, keďže sa mohla zohriať dostatočne na to, aby spôsobila popáleniny.
16. Zabráňte zachytávaniu triesok, prachu alebo zeminy na svorkách, otvoroch a drážkach akumulátora. Môže to viesť k slabému výkonu alebo poškodeniu nástroja alebo akumulátora.
17. Pokiaľ nástroj nepodporuje používanie v blízkosti vysokonapäťových elektrických vedení, nepoužívajte akumulátor blízko vysokonapäťových elektrických vedení. Môže to viesť k nesprávnemu fungovaniu alebo poškodeniu nástroja alebo akumulátora.
18. Akumulátor držte mimo dosahu detí.

## TIETO POKYNY USCHOVAJTE.

**▲POZOR:** Používajte len originálne akumulátory od spoločnosti Makita. Používanie batérií, ktoré nie sú od spoločnosti Makita, alebo upravených batérií môže spôsobiť výbuch batérie a následný požiar, zranenie osôb alebo poškodeniu majetku. Následkom bude aj zrušenie záruky od spoločnosti Makita na nástroj a nabíjačku od spoločnosti Makita.

## Rady na udržanie maximálnej životnosti akumulátora

1. Akumulátor nabíjate ešte predtým, ako sa úplne vybije. Vždy prerušte prácu s nástrojom a nabíjate akumulátor, keď spozorujete nižší výkon nástroja.
2. Nikdy nenabíjate plne nabitý akumulátor. Prebíjanie skracuje životnosť akumulátora.
3. Akumulátor nabíjajte pri izbovej teplote 10 °C – 40 °C (50 °F – 104 °F). Pred nabíjaním nechajte horúci akumulátor vychladnúť.
4. Keď akumulátor nepoužívate, vyberte ho z nástroja alebo nabíjačky.
5. Litium-iónový akumulátor nabíjate, ak ste ho nepoužívali dlhšie ako šesť mesiacov.

## Dôležité bezpečnostné pokyny pre bezdrôtovú jednotku

1. Bezdrôtovú jednotku nerozoberajte ani s ňou neodborne nemanipulujte.
2. Bezdrôtovú jednotku držte mimo dosahu malých detí. V prípade jej náhodného prehltnutia okamžite vyhľadajte lekársku pomoc.
3. Bezdrôtovú jednotku používajte len spolu s náradím Matika.
4. Bezdrôtovú jednotku nevystavujte účinkom dažďa ani iného vlhkého prostredia.
5. Bezdrôtovú jednotku nepoužívajte na miestach, kde teplota prekračuje 50 °C.
6. Bezdrôtovú jednotku nepoužívajte na miestach, kde sa nachádzajú zdravotnícke prístroje, akými sú napríklad kardiostimulátory.
7. Bezdrôtovú jednotku nepoužívajte na miestach, kde sa nachádzajú automatizované zariadenia. V opačnom prípade sa v automatizovaných zariadeniach môže vyskytnúť porucha alebo chyba.
8. Bezdrôtovú jednotku nepoužívajte na miestach s vysokou teplotou alebo na miestach, kde dochádza k vytváraniu statickej elektriny alebo elektrického šumu.
9. Bezdrôtová jednotka môže vytvárať elektromagnetické polia (EMF), ktoré však nie sú pre používateľa škodlivé.
10. Bezdrôtová jednotka je presné zariadenie. Bezdrôtovú jednotku chráňte pred pádom a nevystavuje ju nárazom.
11. Koncovky bezdrôtovej jednotky sa nedotýkajte holými rukami ani kovovými materiálmi.
12. Pred inštaláciou bezdrôtovej jednotky do výrobku vždy vyberte akumulátor.



13. Pri otváraí krytu zásuvky sa vyhýbajte miestam, kde by do zásuvky mohol preniknúť prach alebo voda. Vstupný otvor zásuvky musí byť vždy čistý.
14. Bezdrôtovú jednotku vždy vkladajte v správnom smere.
15. Spúšťacie tlačidlo bezdrôtovej prevádzky na bezdrôtovej jednotke nestláčajte príliš silno, ani ho nestláčajte žiadnym predmetom s ostrou hranou.
16. Pred prevádzkou vždy uzavrite kryt zásuvky.
17. Bezdrôtovú jednotku nevyberajte zo zásuvky, kým prebieha napájanie nástroja. Ignorovanie tohto pokynu môže zapríčiniť poruchu bezdrôtovej jednotky.
18. Z bezdrôtovej jednotky neodstraňujte nálepku.
19. Na bezdrôtovú jednotku nelepte žiadne nálepky.
20. Bezdrôtovú jednotku nenechávajte na mieste, kde dochádza k vytváraniu statickej elektriny alebo elektrického šumu.
21. Bezdrôtovú jednotku nevystavujte vysokým teplotám, nenechávajte ju napríklad v aute stojacom na slnku.
22. Bezdrôtovú jednotku nenechávajte na prašnom mieste ani na mieste, kde by mohlo dôjsť k vytváraniu korozívneho plynu.
23. V dôsledku náhle zmeny teploty sa bezdrôtová jednotka môže zarosiť. Bezdrôtovú jednotku nepoužívajte, kým nedôjde k úplnému vyschnutiu takéhoto zarosenia.
24. Pri čistení bezdrôtovú jednotku jemne utrite suchou mäkkou handričkou. Nepoužívajte benzín, riedidlo, vodivé mazivo ani iné podobné prípravky.
25. Bezdrôtovú jednotku uložte v dodávanom puzdre alebo nádobe, v ktorej nedochádza k vytváraniu statického elektrického náboja.
26. Do zásuvky nástroja nevkładajte žiadne iné zariadenia okrem bezdrôtovej jednotky Matika.
27. Nástroj nepoužívajte, ak je kryt bezdrôtovej jednotky poškodený. V prípade, že do zásuvky prenikne voda, prach alebo nečistoty, môže dôjsť k poruche.
28. Kryt zásuvky neťahajte ani neskrúčajte viac, než je nutné. V prípade, že sa kryt oddelí od nástroja, vráťte ho na miesto.
29. V prípade straty alebo poškodenia kryt vymeňte.

## TIETO POKYNY USCHOVAJTE.

## OPIS FUNKCIÍ

**⚠ POZOR:** Pred úpravou alebo kontrolou funkčnosti nástroja vždy skontrolujte, či je nástroj vypnutý a akumulátor je vybratý.

## Inštalácia alebo demontáž akumulátora

**⚠ POZOR:** Pred inštaláciou alebo vybratím akumulátora nástroj vždy vypnite.

**⚠ POZOR:** Pri inštalovaní a vyberaní akumulátora pevne uchopíte nástroj a akumulátor. Ak nástroj a akumulátor pevne neuchopíte, môže to mať za následok vyšmyknutie z vašich rúk s dôsledkom poškodenia nástroja a akumulátora, ako aj osobných poranení.

► **Obr.1:** 1. Červený indikátor 2. Tlačidlo 3. Akumulátor

Ak chcete vybrať akumulátor, vysuňte ho z nástroja, pričom posuňte tlačidlo na prednej strane akumulátora.

Akumulátor vložte tak, že jazýček akumulátora zarovnáte s drážkou v kryte a zasuniete ho na miesto. Zatlačte ho úplne, kým zakliknutím nezapadne na miesto. Ak vidíte červený indikátor na hornej strane tlačidla, nie je správne zapadnutý.

**⚠ POZOR:** Akumulátor vždy nainštalujte úplne, až kým nie je vidieť červený indikátor. V opačnom prípade môže náhodne vypadnúť z nástroja a ublížiť vám alebo osobám v okolí.

























**⚠ POZOR:** Pri inštalovaní akumulátora nepoužívajte silu. Ak sa akumulátor nedá zasunúť ľahko, nevkładáte ho správne.

## Indikácia zvyšnej kapacity akumulátora

**Len na akumulátory s indikátorom**

► **Obr.2:** 1. Indikátory 2. Tlačidlo kontroly

Stlačením tlačidla kontroly na akumulátore zobrazíte zostávajúcu kapacitu akumulátora. Indikátory sa na niekoľko sekúnd rozsvietia.

Indikátory			Zostávajúca kapacita
 Svieti	 Nesvieti	 Bliká	
			75 % až 100 %
			50 % až 75 %
			25 % až 50 %
			0 % až 25 %
			Akumulátor nabite.
 	 	 	Akumulátor je možno chybný.

**POZNÁMKA:** V závislosti od podmienok používania a v závislosti od okolitej teploty sa môže zobrazenie mierne odlišovať od skutočnej kapacity.

**POZNÁMKA:** Prvý (úplne vľavo) svetelný indikátor bude blikať, keď je aktívny systém ochrany akumulátora.

## Systém na ochranu nástroja/akumulátora

Nástroj je vybavený systémom ochrany nástroja/akumulátora. Tento systém automaticky vypne napájanie motora s cieľom predĺžiť životnosť nástroja a akumulátora. Nástroj sa počas prevádzky automaticky zastaví v prípade, ak sa nástroj alebo akumulátor dostanú do jedného z nasledujúcich stavov:

## Ochrana proti preťaženiu

Keď sa nástroj alebo akumulátor používa spôsobom, ktorý spôsobuje odber neštandardne vysokého prúdu, nástroj sa bez upozornenia automaticky vypne. V tejto situácii vypnite nástroj a ukončite prácu, ktorá spôsobuje jeho preťažovanie. Potom nástroj zapnutím znova spustíte.

## Ochrana pred prehrievaním

Ak je nástroj prehriaty, automaticky sa zastaví a začne blikať svetlo. V takomto prípade nechajte nástroj/akumulátor pred opätovným spustením vychladnúť.

## Ochrana pred nadmerným vybitím

Keď je kapacita akumulátora nedostatočná, nástroj sa automaticky vypne. V takomto prípade vyberte akumulátor z nástroja a nabite ho.

## Zapínanie

**▲POZOR:** Pred inštaláciou akumulátora do nástroja vždy skontrolujte, či sa posuvný prepínač správne posúva a vracia do polohy „OFF“ (VYP.) po zatlačení zadnej strany posuvného prepínača.

► **Obr.3:** 1. Posuvný prepínač

Náradie spustíte posunutím posuvného prepínača do polohy „I (ON)“. Plynulú prevádzku dosiahnete zablokovaním posuvného prepínača stlačením jeho prednej časti. Nástroj zastavíte stlačením zadnej strany posuvného prepínača a jeho posunutím do polohy "O (vyp.)".

## Zapnutie prednej lampy

► **Obr.4:** 1. Lampa

**▲POZOR:** Neďívajte sa priamo do svetla ani jeho zdroja.

Zapnite prepínač na rozsvietenie svetla. Lampa svieti, kým je prepínač zapnutý. Lampa zhasne asi 10 sekúnd po vypnutí prepínača.

**POZNÁMKA:** Suchou tkaninou utrite znečistené šošovky lampy. Dávajte pozor, aby sa šošovky lampy nepoškrabali. Mohla by sa znížiť intenzita osvetlenia.

**POZNÁMKA:** Ak dôjde k prehriatiu nástroja, na jednu minútu sa rozbliká kontrolka. V takomto prípade pred ďalšou činnosťou nechajte nástroj vychladnúť.

## Funkcia zabránenia náhodného opätovného spustenia

Aj keď je v náradí nainštalovaný akumulátor a posuvný prepínač je v polohe „I (ON)“, náradie sa nespustí. Prístroj spustíte posunutím prepínača najprv do polohy "O (OFF)" a potom do polohy "I (ON)".

## Elektronické funkcie

Nástroj je kvôli jednoduchšej obsluhu vybavený elektronickými funkciami.

- Pozvoľný rozbeh  
Funkcia pozvoľného rozbehu minimalizuje štartovací otras a umožňuje hladké spustenie nástroja.

## ZOSTAVENIE

**▲POZOR:** Pred vykonaním akejkoľvek práce na nástroji vždy skontrolujte, či je nástroj vypnutý a akumulátor je vybratý.

## Montáž alebo demontáž vrtáka

**UPOZORNENIE:** Neutahujte puzdrovú maticu bez nainštalovania ostria, inak sa puzdrový kužel poškodí.

► **Obr.5:** 1. Puzdrová matica 2. Pátka 3. Posúvačový uzáver 4. Utiahnuť 5. Uvoľniť

Otáčaniu hriadeľa pri montáži alebo demontáži ostria zabránite stlačením poistky hriadeľa. Na inštaláciu ostria vložte ostriu do matice puzdra čo najďalej a potom pevne dotiahnite maticu puzdra pomocou kľúča alebo použite pätku ako kľúč. Ostriu odstránite opačným postupom ako pri montáži.

## Výmena puzdrového kužela

*Špecifické pre jednotlivé krajiny*

**UPOZORNENIE:** Použite správnu veľkosť puzdrového kužela pre ostrie, ktoré chcete použiť.

**UPOZORNENIE:** Neutahujte puzdrovú maticu bez nainštalovania ostria, inak sa puzdrový kužel poškodí.

► **Obr.6:** 1. Puzdrový kužel 2. Vrták 3. Puzdrová matica

Na výmenu puzdrového kužela povoľte puzdrovú maticu a odstráňte ho. Vymeňte nainštalovaný puzdrový kužel za požadovaný puzdrový kužel. Znova nainštalujte puzdrovú maticu.

## Inštalácia pätky

Na inštaláciu pätky najprv uvoľnite skrutku s ryhovanou hlavou. Pripevnite pätku na nástroj a potom ju pevne prichyťte pomocou skrutky s ryhovanou hlavou.

► **Obr.7:** 1. Pátka 2. Kridlová skrutka

## Háčik

**▲POZOR:** Náradie nikdy nevešajte do výšky ani na potenciálne nestabilný povrch.

► **Obr.8:** 1. Drážka 2. Háčik 3. Skrutka

Háčik je vhodný na dočasné zavesenie nástroja. Hák namontujete tak, že ho vložíte do drážky na tele nástroja a potom ho zaistíte skrutkou. Vyberiete ho uvoľnením skrutky.

## Otvor na popruh

Otvor na popruh je k dispozícii na zavesenie nástroja na stenu použitím popruhu.

► **Obr.9:** 1. Otvor na popruh

**▲VAROVANIE:** Otvor na popruh nepoužívajte na žiadne iné účely, než na zavesenie nástroja na stenu. V opačnom prípade môže dôjsť k vážnemu poraneniu, pretože otvor na popruh nie je určený na žiadne iné účely, než na zavesenie nástroja na stenu.

## PRÁCA

**▲POZOR:** Ostrie neohýňajte ani neskrúcajte násilím. Môže prasknúť.

**▲POZOR:** Pred zapnutím nástroja skontrolujte, či sú ostrie a puzdrová matica pevne utiahnuté.

**▲POZOR:** Vždy používajte nástroj so základňou, ako je napríklad pripojená pätká alebo kryt na vysávač.

Pevne držte nástroj s ostrím smerujúcim na bezpečné miesto, pričom sa nedotýka žiadneho povrchu. Zapnite nástroj a počkajte, kým nedosiahne plné otáčky.

► **Obr.10**

Pri používaní vodiaceho ostria pre sadrokartón do sadrokartónu opatrne rovno vsúvajte ostrie, kým sa základňa pätky úplne dotýka materiálu.

Pomaly pohybujte nástrojom s konštantným tlakom v smere hodinových ručičiek na vykonanie rezu.

► **Obr.11:** 1. Vodiaca lišta

Pri rezaní rovnej línie svorkami pevne uchyťte vodiacu lištu k materiálu a použite ju ako vodidlo. Pohybujte nástrojom v smere šípky so základňou zarovnanou s bočnou stranou vodiacej lišty.

Po dokončení rezu vypnite nástroj a počkajte, kým sa ostrie nezastaví, potom nástroj opatrne vytiahnite z materiálu.

**UPOZORNENIE:** Nepoužívajte nadmernú silu na pritlačenie ostria proti materiálu. V opačnom prípade sa ostrie môže utopiť alebo zlomiť, prípadne sa nástroj môže vyradiť z prevádzky.

**POZNÁMKA:** Pri rezaní sadrokartónu okolo nástenej zásuvky vykonávajte rez proti smeru hodinových ručičiek na uľahčenie rezania.

**POZNÁMKA:** Štandardné ostrie, ktoré je súčasťou tohto nástroja, slúži len na rezanie sadrokartónu. Pri rezaní iných materiálov než je sadrokartón nepoužívajte štandardné vodiace ostrie na sadrokartón.

## Kryt na vysávač

Na vysávanie použijete kryt na vysávač a pripojíte k nástroju vysávač Makita.

► **Obr.12:** 1. Náradie 2. Kryt vysávača 3. Hadica 4. Vysávač

Uvoľnite skrutku s krídlovou hlavou a demontujte pätku. Nasadte kryt vysávača a pevne ho utiahnite pomocou skrutky s krídlovou hlavou.

► **Obr.13:** 1. Krídlová skrutka 2. Kryt vysávača

**POZNÁMKA:** Závitové vodidlo (voliteľné príslušenstvo) možno nainštalovať na kryt vysávača.

## Používanie viacúčelového ostria

### Voliteľné príslušenstvo

Pri používaní viacúčelového ostria do materiálu držte náradie približne v 45-stupňovom uhle, pričom okraj základne pätky sa musí dotýkať materiálu.

► **Obr.14**

Náradie opatrne uveďte do priamej polohy, aby sa základňa pätky úplne dotýkala materiálu.

► **Obr.15**

## Kotúčové vodidlo

### Voliteľné príslušenstvo

Priemery kruhového rezania: 10 cm - 34 cm

## Montáž závitového vodidla

Odstraňte krídlovú skrutku, ktorá upevňuje pätku.

► **Obr.16:** 1. Krídlová skrutka 2. Pätká

Zarovnajte výstupky na závitovom vodidle s drážkami na pätku a zaistite pätku a závitové vodidlo pomocou skrutky s krídlovou hlavou.

► **Obr.17:** 1. Výstupky 2. Pätká

Na nastavenie hĺbky rezu povoľte krídlovú skrutku a potom nasuňte pätku s kotúčovým vodidlom. Po nastavení pevne dotiahnite krídlovú skrutku.

► **Obr.18:** 1. Krídlová skrutka 2. Kotúčové vodidlo 3. Pätká 4. Uvoľniť 5. Uťahnuť

## Používanie závitového vodidla

Povoľte gombík a nastavte jeho polohu podľa veľkosti kruhu, ktorý sa má vyrezať. (Polomer otvoru, ktorý sa má vyrezať, je uvedený na bočnej strane kotúčového vodidla ako všeobecné usmernenie.) Po dokončení nastavenia pevne dotiahnite gombík.

► **Obr.19:** 1. Gombík 2. Uťahnuť 3. Uvoľniť

Umiestnite špičku gombíka do stredu kruhu, ktorý sa má vyrezať, a pokračujte v rezaní v smere hodinových ručičiek.

► **Obr.20:** 1. Gombík

# FUNKCIA BEZDRÔTOVÉHO SPÚŠŤANIA

## Využitie funkcie bezdrôtového spúšťania

Funkcia bezdrôtového spúšťania umožňuje vykonávať čistú a pohodlnú prevádzku. Pripojením podporovaného vysávača k nástroju môžete vysávač prevádzkovať automaticky spolu s aktiváciou spínača nástroja.

► Obr.21

Na používanie funkcie bezdrôtového spúšťania si pripravte nasledujúce položky:

- bezdrôtovú jednotku (voliteľné príslušenstvo),
- vysávač s podporou funkcie bezdrôtového spúšťania.

Nasleduje prehľad nastavení funkcie bezdrôtového spúšťania. V každej kapitole nájdete podrobný postup.

1. Inštalácia bezdrôtovej jednotky
2. Registrácia nástroja v systéme vysávača
3. Spustenie funkcie bezdrôtového spúšťania

## Inštalácia bezdrôtovej jednotky

### Voliteľné príslušenstvo

**⚠ POZOR:** Pri inštalácii bezdrôtovej jednotky umiestnite nástroj na rovný a pevný podklad.

**UPOZORNENIE:** Pred inštaláciou bezdrôtovej jednotky očistite prach a nečistoty z nástroja. Prach a nečistoty môžu spôsobiť poruchu, keď preniknú do zásuvky bezdrôtovej jednotky.

**UPOZORNENIE:** Pred uchopením bezdrôtovej jednotky sa dotknite materiálu spôsobujúceho uvoľnenie statického náboja, napríklad kovovej časti nástroja, aby ste zabránili poruche v dôsledku statickej elektriny.

**UPOZORNENIE:** Pri inštalácii bezdrôtovej jednotky sa vždy presvedčte, či je bezdrôtová jednotka vložená v správnom smere a kryt sa úplne zavrel.

1. Kryt na nástroji otvorte podľa znázornenia na obrázku.

► Obr.22: 1. Kryt

2. Do zásuvky vložte bezdrôtovú jednotku a potom kryt zatvorte.

Pri vkladaní bezdrôtovej jednotky zarovnajte výčnelky s lôžkami zásuvky.

► Obr.23: 1. Bezdrôtová jednotka 2. Výčnelok 3. Kryt 4. Lôžko

Pri vyberaní bezdrôtovej jednotky pomaly otvorte kryt. Háčiky na zadnej strane krytu nadvihnú bezdrôtovú jednotku pri ťahaní za kryt.

► Obr.24: 1. Bezdrôtová jednotka 2. Háčik 3. Kryt

Po vybratí bezdrôtovej jednotky uložte do dodávaného puzdra alebo do nádoby, v ktorej nedochádza k vytváraní statického elektrického náboja.

**UPOZORNENIE:** Pri vyberaní bezdrôtovej jednotky vždy využívajte háčiky na zadnej strane krytu. Ak háčiky bezdrôtovú jednotku nezachytia, kryt úplne zatvorte a znova ho pomaly otvorte.

## Registrácia nástroja v systéme vysávača

**POZNÁMKA:** Registrácia nástroja vyžaduje použitie vysávača značky Makita s podporou funkcie bezdrôtového spúšťania.

**POZNÁMKA:** Pre začiatkom registrácie nástroja ukončíte inštaláciu bezdrôtovej jednotky do nástroja.

**POZNÁMKA:** V priebehu registrácie nástroja nepoužívajte spúšťač spínača ani vypínač vysávača.

**POZNÁMKA:** Postupujte aj podľa pokynov v návode na používanie vysávača.

Ak chcete vysávač spúšťať súčasne s aktiváciou spínača, najprv dokončíte registráciu nástroja.

1. Vložte akumulátory do vysávača a nástroja.

2. Prepínač pohotovostného režimu vysávača nastavte do polohy „AUTO“.

► Obr.25: 1. Prepínač pohotovostného režimu

3. Na 3 sekundy stlačte spínač bezdrôtového spúšťania vysávača a počkajte, kým indikátor bezdrôtového spúšťania nebude blikať nazeleno. Potom rovnakým spôsobom stlačte tlačidlo bezdrôtového spúšťania nástroja.

► Obr.26: 1. Tlačidlo bezdrôtového spúšťania  
2. Indikátor bezdrôtového spúšťania

V prípade úspešného prepojenia vysávača a nástroja sa indikatory bezdrôtového spúšťania na 2 sekundy rozsvietia nazeleno a potom začnú blikať modrou farbou.

**POZNÁMKA:** Indikatory bezdrôtového spúšťania prestanú blikať nazeleno po uplynutí 20 sekúnd. Tlačidlo bezdrôtového spúšťania na nástroji držte, kým indikátor bezdrôtového spúšťania vysávača bliká. Ak indikátor bezdrôtového spúšťania nebliká nazeleno, znova krátko podržte stlačené tlačidlo bezdrôtového spúšťania.

**POZNÁMKA:** Pri vykonávaní dvoch alebo viacerých registrácií nástrojov v rámci jedného vysávača, vykonávajte registrácie nástrojov postupne.

## Spustenie funkcie bezdrôtového spúšťania

**POZNÁMKA:** Pred bezdrôtovým spustením dokončíte registráciu nástroja v rámci vysávača.

**POZNÁMKA:** Postupujte aj podľa pokynov v návode na používanie vysávača.

Po registrácii nástroja v rámci vysávača sa vysávač automaticky spustí pri použití spínača nástroja.

1. Nainštalujte bezdrôtovú jednotku do nástroja.

2. K nástroju pripojte hadicu vysávača.

► Obr.27

3. Prepínač pohotovostného režimu vysávača nastavte do polohy „AUTO“.

► Obr.28: 1. Prepínač pohotovostného režimu

4. Krátko stlačte tlačidlo bezdrôtového spúšťania nástroja. Indikátor bezdrôtového spúšťania sa rozblíka modrou farbou.

- **Obr.29:** 1. Tlačidlo bezdrôtového spúšťania  
2. Indikátor bezdrôtového spúšťania

5. Potiahnite spúšťací spínač nástroja. Skontrolujte, či sa vysávač spustí po potiahnutí spúšťacieho spínača.

Ak chcete zastaviť bezdrôtové spúšťanie vysávača, stlačte tlačidlo bezdrôtového spúšťania na nástroji.

**POZNÁMKA:** Indikátor bezdrôtového spúšťania na nástroji prestane blikať namodro pri nečinnosti nástroja trvajúcej 2 hodiny. V takomto prípade nastavte prepínač pohotovostného režimu vysávača do polohy „AUTO“ a znova stlačte tlačidlo bezdrôtového spúšťania na nástroji.

**POZNÁMKA:** Vysávač sa spúšťa/zastavuje s oneskorením. Pri zisťovaní stlačenia spínača nástroja v rámci vysávača dochádza k oneskoreniu.


**POZNÁMKA:** Dosah vysielača bezdrôtovej jednotky sa môže líšiť v závislosti od umiestnenia a okolitých podmienok.

**POZNÁMKA:** V prípade, že je v rámci vysávača zaregistrovaných viacero nástrojov, vysávač sa môže spustiť, hoci nepotiahnete spúšťací spínač, pretože iný používateľ používa funkciu bezdrôtového spúšťania.

## Popis stavov indikátora bezdrôtového spúšťania

► **Obr.30:** 1. Indikátor bezdrôtového spúšťania

Indikátor bezdrôtového spúšťania vyjadruje stav funkcie bezdrôtového spúšťania. Nasledujúca tabuľka obsahuje informácie o význame stavu indikátora.

Stav	Indikátor bezdrôtového spúšťania				Popis
	Farba	 Svieti	 Blika	Trvanie	
Pohotovostný režim	Modrá			2 hodiny	Bezdrôtové spúšťanie vysávača je k dispozícii. Indikátor sa automaticky vypne, keď stav nečinnosti trvá 2 hodiny.
				Keď je nástroj v prevádzke.	Bezdrôtové spúšťanie vysávača je k dispozícii a nástroj je v prevádzke.
Registrácia nástroja	Zelená			20 sekúnd	Pripravené na registráciu nástroja. Čaká sa na registráciu v rámci vysávača.
				2 sekundy	Registrácia nástroja sa ukončila. Indikátor bezdrôtového spúšťania začne blikať modrou farbou.
Zrušenie registrácie nástroja	Červená			20 sekúnd	Pripravené na zrušenie registrácie nástroja. Čaká sa na zrušenie v rámci vysávača.
				2 sekundy	Zrušenie registrácie nástroja sa ukončilo. Indikátor bezdrôtového spúšťania začne blikať modrou farbou.
Iné	Červená			3 sekundy	Bezdrôtová jednotka sa napája a aktivuje sa funkcia bezdrôtového spúšťania.
		Nesvieti	-	-	Bezdrôtové spúšťanie vysávača sa zastavilo.

## Zrušenie registrácie nástroja v systéme vysávača

Pri rušení registrácie nástroja v rámci vysávača vykonajte nasledujúci postup.

1. Vložte akumulátory do vysávača a nástroja.

2. Prepínač pohotovostného režimu vysávača nastavte do polohy „AUTO“.

► **Obr.31:** 1. Prepínač pohotovostného režimu

3. Na 6 sekúnd stlačte tlačidlo bezdrôtového spúšťania na vysávači. Indikátor bezdrôtového spúšťania bliká zelenou farbou a potom sa farba zmení na červenú. Neskôr rovnakým spôsobom stlačte tlačidlo bezdrôtového spúšťania nástroja.

► **Obr.32:** 1. Tlačidlo bezdrôtového spúšťania  
2. Indikátor bezdrôtového spúšťania

Po úspešnom vykonaní zrušenia sa indikátory bezdrôtového spúšťania na 2 sekundy rozsvietia načerveno a potom začnú blikať modrou farbou.

**POZNÁMKA:** Indikátory bezdrôtového spúšťania prestanú blikať načerveno po uplynutí 20 sekúnd. Tlačidlo bezdrôtového spúšťania na nástroji držte, kým indikátor bezdrôtového spúšťania vysávača bliká. Ak indikátor bezdrôtového spúšťania nebliká načerveno, znova krátko podržte stlačené tlačidlo bezdrôtového spúšťania.

## Riešenie problémov funkcie bezdrôtového spúšťania

Pred požiadanim o vykonanie opravy najprv vykonajte vlastnú kontrolu. Ak zistíte problém, ktorý nie je vysvetlený v návode, nepokúšajte sa nástroj rozoberať. Namiesto toho požiadajte o opravu autorizované servisné strediská spoločnosti Makita, ktoré používajú len náhradné diely značky Makita.

Chybný stav	Predpokladaná príčina (porucha)	Náprava
Indikátor bezdrôtového spúšťania nesvieti/nebliká.	V nástroji nie je nainštalovaná bezdrôtová jednotka. Bezdrôtová jednotka v nástroji je nesprávne nainštalovaná.	Bezdrôtovú jednotku nainštalujte správne.
	Konektor bezdrôtovej jednotky a/alebo zásuvka je špinavá.	Jemne zotrite prach z konektora bezdrôtovej jednotky a očistite zásuvku.
	Tlačidlo bezdrôtového spúšťania na nástroji nebolo stlačené.	Krátko stlačte tlačidlo bezdrôtového spúšťania nástroja.
	Prepínač pohotovostného režimu vysávača nie je nastavený do polohy „AUTO“.	Prepínač pohotovostného režimu vysávača nastavte do polohy „AUTO“.
	Bez prívodu elektrickej energie	Obnovte napájanie nástroja a vysávača.
Nemožno úspešne dokončiť registráciu nástroja/zrušenie registrácie nástroja.	V nástroji nie je nainštalovaná bezdrôtová jednotka. Bezdrôtová jednotka v nástroji je nesprávne nainštalovaná.	Bezdrôtovú jednotku nainštalujte správne.
	Konektor bezdrôtovej jednotky a/alebo zásuvka je špinavá.	Jemne zotrite prach z konektora bezdrôtovej jednotky a očistite zásuvku.
	Prepínač pohotovostného režimu vysávača nie je nastavený do polohy „AUTO“.	Prepínač pohotovostného režimu vysávača nastavte do polohy „AUTO“.
	Bez prívodu elektrickej energie	Obnovte napájanie nástroja a vysávača.
	Nesprávna funkcia	Krátko stlačte tlačidlo bezdrôtového spúšťania a znova vykonajte postup registrácie/zrušenia registrácie.
	Nástroj a vysávač sú vzdialené od seba (mimo dosahu vysielania).	Nástroj a vysávač priblížte k sebe. Maximálny dosah vysielania je približne 10 m, za určitých okolností sa však môže meniť.
	Pred dokončením registrácie nástroja/zrušenia registrácie nástroja: – spúšťač spínača nástroja bol poľahnutý alebo – vysávač bol zapnutý vypínačom.	Krátko stlačte tlačidlo bezdrôtového spúšťania a znova vykonajte postup registrácie/zrušenia registrácie.
	Proces registrácie nástrojov v rámci nástroja alebo vysávača sa neukončil.	Procesy registrácie v rámci nástroja aj vysávača vykonajte súčasne.
	Rušenie rádiového signálu inými spotrebičmi vytvára rádiové vlny vysokej intenzity.	Nástroj a vysávač udržuje v dostatočnej vzdialenosti od zariadení Wi-Fi a mikrovlnných rúr.
Po stlačení spínača nástroja sa vysávač nespustí.	V nástroji nie je nainštalovaná bezdrôtová jednotka. Bezdrôtová jednotka v nástroji je nesprávne nainštalovaná.	Bezdrôtovú jednotku nainštalujte správne.
	Konektor bezdrôtovej jednotky a/alebo zásuvka je špinavá.	Jemne zotrite prach z konektora bezdrôtovej jednotky a očistite zásuvku.
	Tlačidlo bezdrôtového spúšťania na nástroji nebolo stlačené.	Krátko stlačte tlačidlo bezdrôtového spúšťania a ubezpečte sa, že indikátor bezdrôtového spúšťania bliká modrou farbou.
	Prepínač pohotovostného režimu vysávača nie je nastavený do polohy „AUTO“.	Prepínač pohotovostného režimu vysávača nastavte do polohy „AUTO“.
	V rámci vysávača je zaregistrovaných viac než 10 nástrojov.	Znova vykonajte registráciu nástroja. V prípade registrácie viac než 10 nástrojov v rámci vysávača sa najskôr zaregistrovaný nástroj automaticky zruší.
	Vysávač vymazal registrácie všetkých nástrojov.	Znova vykonajte registráciu nástroja.
	Bez prívodu elektrickej energie	Obnovte napájanie nástroja a vysávača.
	Nástroj a vysávač sú vzdialené od seba (mimo dosahu vysielania).	Nástroj a vysávač priblížte k sebe. Maximálny dosah vysielania je približne 10 m, za určitých okolností sa však môže meniť.
	Rušenie rádiového signálu inými spotrebičmi vytvára rádiové vlny vysokej intenzity.	Nástroj a vysávač udržuje v dostatočnej vzdialenosti od zariadení Wi-Fi a mikrovlnných rúr.
Vysávač je spustený, hoci nedošlo k potiahnutiu spúšťacieho spínača.	Bezdrôtové spúšťanie vysávača využívajú iní používatelia prostredníctvom svojich nástrojov.	Vypnite tlačidlo bezdrôtového spúšťania na iných nástrojoch alebo zrušte registráciu iných nástrojov.

# ÚDRŽBA

**⚠ POZOR:** Pred vykonaním kontroly alebo údržby vždy skontrolujte, či je nástroj vypnutý a akumulátor je vybratý.

**UPOZORNENIE:** Nepoužívajte benzín, riedidlo, alkohol ani podobné látky. Mohlo by to spôsobiť zmenu farby, deformácie alebo praskliny.

Ak chcete udržať BEZPEČNOSŤ a BEZPORUCHOVOSŤ výrobku, prenechajte opravy, údržbu a nastavenie na autorizované alebo továrenské servisné centrá Makita, ktoré používajú len náhradné diely značky Makita.

## Čistenie vzduchových prieduchov

Náradie a jeho vzduchové prieduchy je nutné udržiavať čisté. Vzduchové prieduchy náradia pravidelne čistite. Čistite ich aj pri každom zanesení.

► **Obr.33:** 1. Výfukový prieduch 2. Nasávací prieduch

**⚠ POZOR:** Vyčistite vetracie otvory, ak sú zanesené prachom alebo upchaté cudzími predmetmi. Pokračovanie v používaní s upchatými vetracími otvormi môže mať za následok požiar.

# VOLITEĽNÉ PRÍSLUŠENSTVO

**⚠ POZOR:** Pre váš nástroj Makita, opísaný v tomto návode, doporučujeme používať toto príslušenstvo a nástavce. Pri použití iného príslušenstva či nástavcov môže hroziť nebezpečenstvo zranenia osôb. Príslušenstvo a nástavce sa môžu používať len na účely pre ne stanovené.

Ak potrebujete bližšie informácie týkajúce sa tohoto príslušenstva, obráťte sa na vaše miestne servisné stredisko firmy Makita.

- Vodiace ostrie pre sadrokartón
- Viacúčelové ostrie
- Puzdrový kužel
- Kľúč
- Závitové vodidlo
- Kryt vysávača
- Hák
- Bezdrôtová jednotka
- Originálna batéria a nabíjačka Makita

**POZNÁMKA:** Niektoré položky zo zoznamu môžu byť súčasťou balenia nástrojov vo forme štandardného príslušenstva. Rozsah týchto položiek môže byť v každej krajine odlišný.

## SPECIFIKACE

Model:	DCO181	
Rozměr kleštinového sklíčidla	3,0 mm, 3,18 mm, 6,0 mm, 6,35 mm	
Otáčky bez zatížení	32 000 min <sup>-1</sup>	
Celková délka	s BL1820B	293 mm
	s BL1860B	311 mm
Jmenovité napětí	18 V DC	
Čistá hmotnost	1,4–1,7 kg	

- Vzhledem k neustálému výzkumu a vývoji zde uvedené technické údaje podléhají změnám bez upozornění.
- Technické údaje a akumulátor se mohou v různých zemích lišit.
- Hmotnost se může lišit v závislosti na nástavcích a přídatných zařízeních, včetně akumulátoru. Nejlehčí a nejtěžší kombinace, dle EPTA-Procedure 01/2014, jsou uvedeny v tabulce níže.

## Použitelný akumulátor a nabíječka

Akumulátor	BL1815N / BL1820 / BL1820B / BL1830 / BL1830B / BL1840 / BL1840B / BL1850 / BL1850B / BL1860B
Nabíječka	DC18RC / DC18RD / DC18RE / DC18SD / DC18SE / DC18SF / DC18SH

- V závislosti na regionu vašeho bydliště nemusí být některé akumulátory a nabíječky k dispozici.

**VAROVÁNÍ:** Používejte pouze výše uvedené akumulátory a nabíječky. Použití jiných akumulátorů a nabíječek může způsobit zranění a/nebo požár.

## Účel použití

Nářadí je určeno k ořezávání a profilování dřeva, plastů a podobných materiálů.

## Hlučnost

Typická vážená hladina hluku (A) určená podle normy EN62841-2-17:

Hladina akustického tlaku ( $L_{pA}$ ): 78 dB(A)

Nejistota (K): 3 dB(A)

Hladina hluku při práci může překročit hodnotu 80 dB (A).

**POZNÁMKA:** Celková(é) hodnota(y) emisí hluku byla(y) změněna(y) v souladu se standardní zkušební metodou a dá se použít k porovnání nářadí mezi sebou.

**POZNÁMKA:** Hodnotu(y) deklarovaných emisí hluku lze také použít k předběžnému posouzení míry expozice vibracím.

**VAROVÁNÍ:** Používejte ochranu sluchu.

**VAROVÁNÍ:** Emise hluku se při používání elektrického nářadí ve skutečnosti mohou od deklarované(ých) hodnot(y) lišit v závislosti na způsobech použití nářadí.

**VAROVÁNÍ:** Nezapomeňte stanovit bezpečnostní opatření na ochranu obsluhy podle odhadu expozice ve skutečných podmínkách použití. (Vezměte přitom v úvahu všechny části provozního cyklu, tj. kromě doby zátěže například doby, kdy je nářadí vypnuté a kdy běží naprázdno.)

## Vibrace

Celková hodnota vibrací (vektorový součet tří os)

určená podle normy EN62841-2-17:

Pracovní režim: otáčky bez zatížení

Emise vibrací ( $a_{h}$ ): 2,5 m/s<sup>2</sup> nebo méně

Nejistota (K): 1,5 m/s<sup>2</sup>

**POZNÁMKA:** Celková(é) hodnota(y) deklarovaných vibrací byla(y) změněna(y) v souladu se standardní zkušební metodou a dá se použít k porovnání nářadí mezi sebou.

**POZNÁMKA:** Celkovou(é) hodnotu(y) deklarovaných vibrací lze také použít k předběžnému posouzení míry expozice vibracím.

**VAROVÁNÍ:** Emise vibrací se při používání elektrického nářadí ve skutečnosti mohou od deklarované(ých) hodnot(y) lišit v závislosti na způsobech použití nářadí.

**VAROVÁNÍ:** Nezapomeňte stanovit bezpečnostní opatření na ochranu obsluhy podle odhadu expozice ve skutečných podmínkách použití. (Vezměte přitom v úvahu všechny části provozního cyklu, tj. kromě doby zátěže například doby, kdy je nářadí vypnuté a kdy běží naprázdno.)

## Prohlášení ES o shodě

*Pouze pro evropské země*

Prohlášení ES o shodě je obsaženo v Příloze A tohoto návodu k obsluze.



# BEZPEČNOSTNÍ VÝSTRAHY

## Obecná bezpečnostní upozornění k elektrickému nářadí

**VAROVÁNÍ:** Přečtěte si všechny bezpečnostní výstrahy i pokyny a prohlédněte si ilustrace a specifikace dodané k tomuto elektrickému nářadí. Nedodržení všech níže uvedených pokynů může vést k úrazu elektrickým proudem, požáru či vážnému zranění.

## Všechna upozornění a pokyny si uschovejte pro budoucí potřebu.

Pojem „elektrické nářadí“ v upozorněních označuje elektrické nářadí, které se zapojuje do elektrické sítě, nebo elektrické nářadí využívající akumulátory.

## Bezpečnostní výstrahy pro akumulátorovou rotační frézkou

1. Při práci v místech, kde může dojít ke kontaktu nástrojů z příslušenství se skrytým elektrickým vedením, držte elektrické nářadí za izolované části držadel. Nástroje z příslušenství mohou při kontaktu s vodičem pod napětím přenést proud do nechráněných částí nářadí a obsluha může utrpět úraz elektrickým proudem.
2. K zajištění a podepření obrobku na stabilní podložce použijte svorky či jiný praktický způsob uchycení. Budete-li obrobek držet rukama nebo zapřený vlastním tělem, bude nestabilní a může zapříčinit ztrátu kontroly.
3. Noste ochranu zraku a protiprachovou masku.
4. Zajistěte odpovídající odvětrávání pracoviště.
5. Před zahájením provozu pečlivě zkontrolujte pracovní nástroj, zda nevykazuje známky trhlin nebo poškození. Popraskaný nebo poškozený nástroj je nutno okamžitě vyměnit.
6. Před řezáním zkontrolujte, zda se pod dílem nachází dostatečný volný prostor, aby pracovní nástroj nenarazil na tvrdý povrch, jako je například podlaha, pracovní stůl, apod.
7. Neřežte kovové předměty, jako jsou hřebíky a šrouby. Před zahájením provozu zkontrolujte a odstraňte z dílu všechny případné hřebíky, šrouby a další nežádoucí materiál.
8. Před zapnutím spínače se přesvědčte, zda se pracovní nástroj nedotýká dílu. Při zapínání vždy držte nástroj oběma rukama. Točivý moment motoru může způsobit otáčení nástroje.
9. Před použitím nástroje na skutečném dílu jej nechejte na chvíli běžet. Sledujte, zda nevznikají vibrace nebo viklání, které by mohly signalizovat špatně nainstalovaný pracovní nástroj.
10. Dbejte, aby byl před aktivací spínače uvolněn zámek hřídele.
11. Nástroj vždy používejte s bezpečně uchycenou patkou, kterou je nutno silně a naplocho přitlačit k povrchu dílu.
12. Držte nástroj pevně.

13. Neprovádějte žádnou práci, při které byste ruce používali k podpírání nebo vedení dílu.
14. Udržujte ruce mimo pohyblivé díly.
15. Nepoužívejte tento nástroj k vrtání.
16. Nenechávejte nástroj běžet bez dozoru. Pracujte s ním, jen když jej držíte v ruce.
17. Před vytažením pracovního nástroje z dílu vždy nástroj vypněte a počkejte, dokud se pracovní nástroj úplně nezastaví.
18. Bezprostředně po ukončení práce se nedotýkejte nástroje ani dílu; mohou dosahovat velmi vysokých teplot a popálit pokožku.
19. Nezapomeňte, že je potřeba používat frézy se správným průměrem dřívku, které jsou vhodné pro otáčky nástroje.
20. Nářadí pokládejte na rovný a stabilní povrch. Jinak může spadnout a způsobit zranění.

## TYTO POKYNY USCHOVEJTE.

**VAROVÁNÍ:** NEDOVOLTE, aby pohodlnost nebo pocit znalosti výrobku (získání na základě opakovaného používání) vedly k zanedbání dodržování bezpečnostních pravidel platných pro tento výrobek. **NESPŘÁVNÉ POUŽÍVÁNÍ** nebo nedodržení bezpečnostních pravidel uvedených v tomto návodu k obsluze může způsobit **vážné zranění**.

## Důležitá bezpečnostní upozornění pro akumulátor

1. Před použitím akumulátoru si přečtěte všechny pokyny a varovné symboly na (1) nabíječe, (2) akumulátoru a (3) výrobku využívajícím akumulátor.
2. Nerozebírejte akumulátor ani do něj nikdy nezasahujte. Může dojít k požáru, nadměrnému zahřátí nebo výbuchu.
3. Pokud se příliš zkrátí provozní doba akumulátoru, přerušte okamžitě práci. V opačném případě existuje riziko přehřívání, popálení nebo dokonce výbuchu.
4. Budou-li vaše oči zasaženy elektrolytem, vypláchněte je čistou vodou a okamžitě vyhledejte lékařskou pomoc. Může dojít ke ztrátě zraku.
5. Akumulátor nezkratujte:
  - (1) Nedotýkejte se svorek žádným vodivým materiálem.
  - (2) Neskladujte akumulátor v nádobě s jinými kovovými předměty, jako jsou hřebíky, mince, apod.
  - (3) Nevstavuje akumulátor vodě a dešti. Zkrat akumulátoru může způsobit velký průtok proudu, přehřátí, možné popálení a dokonce i poruchu.
6. Neskladujte a nepoužívejte nářadí a akumulátor na místech, kde může teplota překročit 50 °C (122 °F).
7. Nespalujte akumulátor, ani když je vážně poškozen nebo úplně opotřeben. Akumulátor může v ohni vybuchnout.

8. Akumulátor nesmí být proražen hřebíkem, řezán, drcen, házen či upuštěn na zem, ani nesmí dojít k nárazu tvrdého předmětu do něj. Taková situace může způsobit požár, nadměrné zahřátí či výbuch.
9. **Nepoužívejte poškozené akumulátory.**
10. **Obsažené lithium-iontové akumulátory podléhají právním požadavkům na nebezpečné zboží.** V případě komerční přepravy například externími dopravci je třeba dodržet zvláštní požadavky na balení a značení. Pro přípravu zboží k přepravě je nutná konzultace s odborníkem na nebezpečný materiál. Dodržujte také případné podrobnější národní předpisy. Odkryté kontakty přelepte izolační páskou či jinak zakryjte a akumulátory zabalte tak, aby se v balení nemohly pohybovat.
11. Při likvidaci akumulátoru jej vyjměte z nářadí a zlikvidujte jej na bezpečném místě. Při likvidaci akumulátoru postupujte podle místních předpisů.
12. Akumulátor používejte pouze s výrobky specifikovanými společností Makita. Instalace akumulátoru do nevyhovujících výrobků může způsobit požár, nadměrné zahřívání, explozi nebo únik elektrolytu.
13. **Pokud nářadí delší dobu nepoužíváte, je nutné z něj akumulátor vyjmout.**
14. Během a po použití se může akumulátor zahřát, což může způsobit popálení nebo podráždění. Při manipulaci s horkými akumulátory dávejte pozor.
15. **Nedotýkejte se koncovky na nářadí ihned po použití, protože ta může být horká a způsobit popálení.**
16. **Do koncovek, otvorů a zdiřek na akumulátoru se nesmí dostat piliny, prach nebo jiné nečistoty.** Mohlo by tím dojít ke zhoršení výkonu nebo poruše nářadí či akumulátoru.
17. **Jestliže nářadí není zkonstruováno tak, že jej lze používat v blízkosti vysokého elektrického napětí, nepoužívejte akumulátor poblíž vedení s vysokým elektrickým napětím.** Mohlo by tím dojít k poruše či selhání nářadí či akumulátoru.
18. **Akumulátor uchovávejte mimo dosah dětí.**

## TYTO POKYNY USCHOVEJTE.

**⚠ UPOZORNĚNÍ:** Používejte pouze originální akumulátory Makita. Používání neoriginálních nebo upravených akumulátorů může způsobit explozi akumulátoru a následný požár, zranění a jiné poškození. Zaniká tím také záruka společnosti Makita na nářadí a nabíječku Makita.

## Typy k zajištění maximální životnosti akumulátoru

1. Akumulátor nabíjte dříve, než dojde k jeho úplnému vybití. Pokud si povšimnete sníženého výkonu nářadí, vždy jej zastavte a dobijte akumulátor.
2. Nikdy nenabíjejte úplně nabitý akumulátor. Přebíjení zkracuje životnost akumulátoru.
3. Akumulátor dobíjejte při pokojové teplotě od 10 °C do 40 °C (50 °F až 104 °F). Před nabíjením nechejte horký akumulátor zchladnout.
4. Když není akumulátor používán, vyjměte ho z nářadí či nabíječky.
5. Pokud se akumulátor delší dobu nepoužívá (déle než šest měsíců), je nutno jej dobít.

## Důležité bezpečnostní pokyny pro bezdrátovou jednotku

1. **Bezdrátovou jednotku nerozebírejte ani do ní nezasahujte.**
2. **Bezdrátovou jednotku uchovávejte mimo dosah malých dětí. Pokud by nedopatřením došlo ke spolknutí, okamžitě vyhledejte lékařskou pomoc.**
3. **Bezdrátovou jednotku používejte pouze s nástroji Makita.**
4. **Bezdrátovou jednotku nevystavujte dešti a vlhku.**
5. **Bezdrátovou jednotku nepoužívejte na místech, kde teplota překračuje 50 °C.**
6. **Bezdrátovou jednotku neprovozujte na místech, kde se nachází lékařské přístroje, jako je kardiostimulátor, nebo v jejich blízkosti.**
7. **Neprovozujte bezdrátovou jednotku na místech, kde se nachází automatizovaná zařízení, nebo v jejich blízkosti.** V případě provozu může u automatizovaných zařízení docházet k poruchám nebo chybám.
8. **Nepoužívejte bezdrátovou jednotku v místech se zvýšenou teplotou nebo na místech, kde se může generovat statická elektřina nebo elektrický šum.**
9. **Bezdrátová jednotka může vytvářet elektromagnetická pole (EMP), která ale nejsou pro uživatele škodlivá.**
10. **Bezdrátová jednotka je přesný přístroj. Dávejte pozor, abyste bezdrátovou jednotku neupustili ani s ní nenaráželi.**
11. **Nedotýkejte se svorek bezdrátové jednotky holými rukama nebo kovovými materiály.**
12. **Při instalaci bezdrátové jednotky vždy vyjměte akumulátor výrobku.**
13. **Při otevření krytu drážky dejte pozor na místo, ze kterého se může dostat prach a voda do drážky. Udržujte vstupní část drážky stále čistou.**
14. **Bezdrátovou jednotku vždy vkládejte ve správném směru.**
15. **Netlačte na tlačítko bezdrátové aktivace na bezdrátové jednotce příliš silně a netlačte na něj předměty s ostrými hranami.**
16. **Při používání vždy zavřete kryt drážky.**
17. **Neodpojujte bezdrátovou jednotku z drážky, zatímco je nástroj napájen.** V opačném případě hrozí poškození bezdrátové jednotky.
18. **Neodstraňujte nálepku na bezdrátové jednotce.**
19. **Nelepte na bezdrátovou jednotku žádné nálepky.**
20. **Neponechávejte bezdrátovou jednotku na místech, kde se může generovat statická elektřina nebo elektronický šum.**
21. **Nenechávejte bezdrátovou jednotku na místech, kde by mohla být vystavena velkému teplu, například v autě na slunci.**
22. **Neponechávejte bezdrátovou jednotku v prašném prostředí nebo na místech, kde se může působit korozivní plyn.**

23. Náhlé změny teploty mohou způsobit navlhnutí bezdrátové jednotky. Bezdrátovou jednotku nepoužívejte, dokud nebude vlhkost kompletně vysušena.
24. Při čištění bezdrátové jednotky ji opatrně oťete suchým jemným hadříkem. Nepoužívejte benzín, ředidlo, vodivé mazivo a podobně.
25. Při uskladnění bezdrátové jednotky ji uchovávejte v dodávaném pouzdru nebo antistatickém obalu.
26. Nevkládejte do drážky nástroje jiná zařízení, než je bezdrátová jednotka Makita.
27. Nepoužívejte nástroj, pokud je kryt drážky poškozen. Do drážky se může dostat voda, prach a nečistoty a způsobit poruchu.
28. Za kryt drážky netahejte ani se ho nesnažte zkrotit více, než je potřeba. Uvolněný kryt znovu připevňte.
29. Pokud se kryt drážky ztratí nebo poškodí, nahraďte ho.

## TYTO POKYNY USCHOVEJTE.

## POPIS FUNKCÍ

**⚠ UPOZORNĚNÍ:** Před nastavováním nářadí nebo kontrolou jeho funkce se vždy přesvědčte, zda je vypnuté a je vyjmutý akumulátor.

### Nasazení a sejmutí akumulátoru

**⚠ UPOZORNĚNÍ:** Před nasazením či sejmutím akumulátoru nářadí vždy vypněte.

**⚠ UPOZORNĚNÍ:** Při nasazování či snímání akumulátoru pevně držte nářadí i akumulátor. V opačném případě vám může nářadí nebo akumulátor vyklouznout z rukou a mohlo by dojít k jejich poškození či ke zranění.

► **Obr.1:** 1. Červený indikátor 2. Tlačítko 3. Akumulátor

Chcete-li akumulátor sejmut, vysuňte jej se současným přesunutím tlačítka na přední straně akumulátoru.

Při nasazování akumulátoru vyrovnejte jazýček na akumulátoru s drážkou v krytu a zasuňte akumulátor na místo. Akumulátor zasuňte na doraz, až zacvakne na své místo. Není-li tlačítko zcela zajištěno, uvidíte na jeho horní straně červený indikátor.

**⚠ UPOZORNĚNÍ:** Akumulátor zasunujte vždy zcela tak, aby nebyl červený indikátor vidět. Jinak by mohl akumulátor ze zařízení vypadnout a způsobit zranění obsluze či přihlížejícím osobám.

**⚠ UPOZORNĚNÍ:** Akumulátor nenasazujte násilím. Nelze-li akumulátor zasunout snadno, nevkládejte jej správně.

## Indikace zbývajících kapacity akumulátoru

**Pouze pro akumulátory s diodovým ukazatelem**

► **Obr.2:** 1. Kontrolky 2. Tlačítko kontroly

Stisknutím tlačítka kontroly na akumulátoru zjistíte zbývajících kapacitu akumulátoru. Kontrolky indikátoru se na několik sekund rozsvítí.

Kontrolky			Zbývajících kapacita
Svítil	Nesvítil	Bliká	
■ ■ ■ ■	□ □ □ □	□ □ □ □	75 % až 100 %
■ ■ ■ □	□ □ □ □	□ □ □ □	50 % až 75 %
■ ■ □ □	□ □ □ □	□ □ □ □	25 % až 50 %
■ □ □ □	□ □ □ □	□ □ □ □	0 % až 25 %
■ □ □ □	□ □ □ □	□ □ □ □	Nabíjte akumulátor.
■ ■ □ □	□ □ □ □	□ □ □ □	Došlo pravděpodobně k poruše akumulátoru.

**POZNÁMKA:** Kapacita udávaná indikátorem se může mírně lišit od skutečné kapacity v závislosti na podmínkách používání a teplotě prostředí.

**POZNÁMKA:** První kontrolka (zcela vlevo) bude blikat, když je systém ochrany akumulátoru v provozu.

## Systém ochrany nářadí a akumulátoru

Nářadí je vybaveno systémem ochrany nářadí a akumulátoru. Tento systém automaticky přeruší napájení motoru, aby se prodloužila životnost nářadí a akumulátoru. Budou-li nářadí nebo akumulátor vystaveny některé z níže uvedených podmínek, nářadí se během provozu automaticky vypne:

### Ochrana proti přetížení

Pokud se s nářadím či akumulátorem pracuje způsobem vyvolávajícím mimořádně vysoký odběr proudu, nářadí se automaticky a bez jakékoli signalizace vypne. V takové situaci nářadí vypněte a ukončete činnost, při níž došlo k přetížení nářadí. Potom nářadí opět zapněte.

### Ochrana proti přehřátí

Při přehřátí nářadí či akumulátoru se nářadí automaticky vypne a světlo začne blikat. V takovém případě nechte nářadí a akumulátor před opětovným zapnutím vychladnout.

### Ochrana proti přílišnému vybití

V případě nedostačující kapacity akumulátoru se nářadí automaticky vypne. V takovém případě vyjměte akumulátor z nářadí a nabíjte jej.

## Zapínání

**⚠️ UPOZORNĚNÍ:** Před vložením akumulátoru do nářadí vždy zkontrolujte, zda se posuvný spínač správně pohybuje a zda se po stisknutí zadní části vrací do vypnuté polohy.

► **Obr.3:** 1. Posuvný spínač

Nářadí zapnete přesunutím posuvného spínače směrem k poloze „I“. Pokud chcete pracovat nepřetržitě, zajistěte spínač stisknutím jeho přední části.

Pokud chcete nástroj zastavit, stiskněte zadní část posuvného spínače a přesuňte jej do polohy vypnuto „O“.

## Rozsvícení předního světla

► **Obr.4:** 1. Světlo

**⚠️ UPOZORNĚNÍ:** Nedívejte přímo do světla nebo jeho zdroje.

Světlo rozsvítíte zapnutím spínače. Světlo svítí, dokud je spínač zapnutý. Světlo zhasne přibližně za 10 sekund po vypnutí spínače.

**POZNÁMKA:** K očištění nečistot ze skla světla použijte suchý hadřík. Dbejte, abyste sklo světla nepoškrábali. Mohlo by dojít ke snížení svítivosti.

**POZNÁMKA:** Pokud je nářadí přehřáté, světlo po dobu jedné minuty bliká. V takovém případě nechejte nářadí před obnovením práce vychladnout.

## Funkce prevence neúmyslného opětovného spuštění

Nářadí se nespustí ani ve chvíli, kdy je vložen blok akumulátoru a posuvný spínač je v poloze „I“. Chcete-li nástroj uvést do chodu, nejdříve přesuňte posuvný spínač do polohy vypnuto „O“ a poté do polohy zapnuto „I“.

## Elektronické funkce

Nářadí je vybaveno elektronickými funkcemi usnadňujícími provozování.

- Měkké spuštění  
Funkce měkkého spuštění omezuje na minimum ráz při spuštění a umožňuje hladké spuštění nářadí.

## SESTAVENÍ

**⚠️ UPOZORNĚNÍ:** Před prováděním jakýchkoli prací na nářadí se vždy přesvědčte, zda je vypnuté a je vyjmutý akumulátor.

## Instalace a demontáž pracovního nástroje

**POZOR:** Nedotahujte matici upínacího pouzdra bez nasazeného pracovního nástroje, jinak se může poškodit kužel upínacího pouzdra.

► **Obr.5:** 1. Matice upínacího pouzdra 2. Patka 3. Zámek hřídele 4. Utáhnout 5. Povolit

Při instalaci a demontáži pracovního nástroje lze zámek hřídele použít k zamezení otáčení hřídele.

Chcete-li namontovat pracovní nástroj, vložte jej do kuželu kleštiny co nejdále a poté utáhněte matici kleštiny pomocí klíče nebo patky jako klíče.

Při demontáži pracovního nástroje použijte opačný postup montáže.

## Výměna kužele kleštiny

*Specifické podle země*

**POZOR:** Použijte správnou velikost kužele kleštiny odpovídající pracovnímu nástroji, který hodláte použít.

**POZOR:** Nedotahujte matici upínacího pouzdra bez nasazeného pracovního nástroje, jinak se může poškodit kužel upínacího pouzdra.

► **Obr.6:** 1. Kužel upínacího pouzdra 2. Vrták 3. Matice upínacího pouzdra

Chcete-li vyměnit kužel kleštiny, povolte a vyjměte matici kleštiny. Vyměňte namontovaný kužel kleštiny za požadovaný kužel kleštiny. Opět namontujte matici kleštiny.

## Montáž patky

Chcete-li namontovat patku, musíte nejprve povolit křídlový šroub. Nasaďte patku na nářadí a poté ji upevněte pomocí křídlového šroubu.

► **Obr.7:** 1. Patka 2. Křídlový šroub

## Háček

**⚠️ UPOZORNĚNÍ:** Nikdy nástroj nezavěšujte ve výšce nebo na potenciálně nestabilním povrchu.

► **Obr.8:** 1. Drážka 2. Háček 3. Šroub

Hák je vhodný k dočasnému pověšení nářadí.

Při instalaci háčku jej vložte do drážky na krytu nářadí a zajistěte jej šroubem. Chcete-li jej odstranit, uvolněte šroub a vyjměte jej.

## Otvor pro popruh

Otvor pro popruh je určen k zavěšení nářadí na stěnu pomocí popruhu.

► **Obr.9:** 1. Otvor pro popruh

**⚠️ VAROVÁNÍ:** Nepoužívejte otvor pro popruh k jiným účelům, než je zavěšení nářadí na stěnu. Jinak může dojít k vážnému zranění, protože otvor pro popruh není určen k jinému účelu než zavěšení nářadí na stěnu.

## PRÁCE

**⚠ UPOZORNĚNÍ:** Vyvarujte se ohýbání nebo zkroucení pracovního nástroje. Mohlo by dojít k jeho ulomení.

**⚠ UPOZORNĚNÍ:** Před uvedením nástroje do chodu se přesvědčte, zda je pevně dotažen pracovní nástroj a matice upínacího pouzdra.

**⚠ UPOZORNĚNÍ:** Nářadí používejte vždy s nasazenou základnou, jako je např. patka nebo odsávací kryt.

Podržte pevně nářadí s pracovním nástrojem směřujícím do bezpečného prostoru, zároveň nesmí být ve styku s žádným povrchem. Nářadí zapněte a počkejte, dokud nedosáhne plných otáček.

► **Obr.10**

Při používání pracovního nástroje k řezání sádrokartonu vedte nářadí pečlivě zpřímá tak, až základna patky zcela dosedne k materiálu.

K provedení řezu pohybujte nářadím pomalu s neustálým tlakem ve směru otáčení hodinových ručiček.

► **Obr.11:** 1. Vodicí deska

Když řežete rovně, upevněte k materiálu vodicí desku a použijte ji jako vodítko k rovnému řezu. Nářadím pohybujte ve směru šípky a ujistěte se, že základna patky je srovnána s bokem vodicí desky. Když je řez dokončen, vypněte nářadí a počkejte, než se pracovní nástroj přestane točit. Poté jej opatrně vytáhněte z materiálu.

**POZOR: Netlačte příliš pracovním nástrojem na materiál.** Mohlo by dojít ke ztupení či zlomení pracovního nástroje, anebo dokonce k poruše nářadí.

**POZNÁMKA:** Když řežete sádrokarton kolem zásuvky, provádějte řez proti směru otáčení hodinových ručiček, je to snazší.

**POZNÁMKA:** Standardní pracovní nástroj dodávaný s tímto nářadím slouží pouze k řezání sádrokartonu. Když řežete materiály jiné než sádrokarton, nepoužívejte standardní pracovní nástroj na sádrokarton.

## Odsávací kryt

Chcete-li při práci zachovat větší čistotu, použijte odsávací kryt a nářadí připojte k odsavači prachu Makita.

► **Obr.12:** 1. Nástroj 2. Odsávací kryt 3. Hadice 4. Odsavač prachu

Povolte křídlatý šroub a sejměte patku. Připojte odsávací kryt a pevně jej přichyťte křídlatým šroubem.

► **Obr.13:** 1. Křídlový šroub 2. Odsávací kryt

**POZNÁMKA:** K odsávacímu krytu lze nainstalovat kruhové vodítko (volitelné příslušenství).

## Používání víceúčelového pracovního nástroje

### Volitelné příslušenství

Při použití víceúčelového pracovního nástroje k řezání materiálu držte nářadí zhruba v 45 stupňovém úhlu s okrajem základny patky v kontaktu s materiálem.

► **Obr.14**

Nářadí opatrně uveďte do přímé polohy tak, aby základna patky zcela dosedla k materiálu.

► **Obr.15**

## Kruhové vodítko

### Volitelné příslušenství

Průměry při kruhovém řezání: 10 cm - 34 cm

## Instalace kruhového vodítka

Odsroubujte křídlový šroub zajišťující patku.

► **Obr.16:** 1. Křídlový šroub 2. Patka

Výstupky kruhového vodítka vyrovnejte s drážkami v patce a patku s kruhovým vodítkem zajistíte křídlatým šroubem.

► **Obr.17:** 1. Výchňky 2. Patka

Chcete-li upravit hloubku řezání, povolte křídlový šroub a poté posuňte patku s kruhovým vodítkem. Po nastavení křídlový šroub pevně utáhněte.

► **Obr.18:** 1. Křídlový šroub 2. Kruhové vodítko 3. Patka 4. Povolit 5. Utáhnout

## Použití kruhového vodítka

Povolte knoflík a upravte jeho polohu v souladu s velikostí kruhu, který chcete řezat. (Jako obecné vodítko slouží ukazatele poloměru otvoru, které jsou na boku kruhového vodítka.) Po dokončení nastavení knoflík pevně utáhněte.

► **Obr.19:** 1. Knoflík 2. Utáhnout 3. Povolit

Špičku knoflíku umístěte do středu kruhu, který chcete řezat, a postupujte s řezáním ve směru otáčení hodinových ručiček.

► **Obr.20:** 1. Knoflík

## FUNKCE BEZDRÁTOVÉ AKTIVACE

### Co lze provádět s funkcí bezdrátové aktivace

Funkce bezdrátové aktivace umožňuje čistý a pohodlný provoz. Pomocí připojení podporovaného vysavače k nástroji můžete automaticky používat vysavač při aktivaci spouště nástroje.

► **Obr.21**

K použití funkce bezdrátové aktivace si připravte následující položky:

- Bezdrátová jednotka (volitelné příslušenství)
- Vysavač s podporou funkce bezdrátové aktivace

Přehled nastavení funkce bezdrátové aktivace je následující. Podrobné postupy najdete v příslušné části.

1. Instalace bezdrátové jednotky
2. Registrace nástroje pro vysavač
3. Spuštění funkce bezdrátové aktivace

## Instalace bezdrátové jednotky

### Volitelné příslušenství

**⚠ UPOZORNĚNÍ:** Při instalaci bezdrátové jednotky umístěte nástroj na plochý a stabilní povrch.

**POZOR:** Před instalací bezdrátové jednotky očistěte nástroj od prachu a nečistot. Pokud se prach a nečistoty dostanou do drážky bezdrátové jednotky, mohou způsobit poruchu.

**POZOR:** Aby se zabránilo poruchám způsobeným statickou elektřinou, před uchopením bezdrátové jednotky se dotkněte materiálu pro vybití statické elektřiny, jako je třeba kovový díl nástroje.

**POZOR:** Při instalaci bezdrátové jednotky se vždy ujistěte, že je bezdrátová jednotka vložena ve správné poloze a kryt je kompletně uzavřen.

1. Otevřete kryt nástroje podle znázornění na obrázku.

► **Obr.22:** 1. Kryt

2. Vložte bezdrátovou jednotku do drážky a zavřete kryt.

Při vložení bezdrátové jednotky zarovnejte výčnělky s prohlubněmi na drážce.

► **Obr.23:** 1. Bezdrátová jednotka 2. Výčnělek 3. Kryt 4. Prohlubeň

Při demontáži bezdrátové jednotky pomalu otevřete kryt. Háčky na zadní straně krytu vytáhnou bezdrátovou jednotku, jakmile kryt odklopíte.

► **Obr.24:** 1. Bezdrátová jednotka 2. Háček 3. Kryt

Po vyjmutí uchovávejte bezdrátovou jednotku v dodávaném pouzdru nebo antistatickém obalu.

**POZOR:** Při vyjímání bezdrátové jednotky vždy použijte háčky na zadní straně krytu. Pokud háčky nezachytí bezdrátovou jednotku, kryt zcela zavřete a znovu ho pomalu otevřete.

## Registrace nástroje pro vysavač

**POZNÁMKA:** Pro registraci nástroje je vyžadován vysavač Makita s podporou funkce bezdrátové aktivace.

**POZNÁMKA:** Před zahájením registrace nástroje dokončete instalaci bezdrátové jednotky.

**POZNÁMKA:** Během registrace nástroje nestlačujte spoušť ani nezapínejte vypínač vysavače.

**POZNÁMKA:** Viz také návod k obsluze vysavače.

Pokud chcete aktivovat vysavač při stisknutí spouště nástroje, dokončete předtím registraci nástroje.

1. Instalujte baterie do vysavače a nástroje.

2. Nastavte přepínač pohotovostního režimu na vysavači do polohy AUTO.

► **Obr.25:** 1. Přepínač pohotovostního režimu

3. Stiskněte tlačítko aktivace bezdrátové funkce na vysavači po dobu 3 sekund, dokud se indikátor bezdrátové aktivace nerozsvítí zeleně. Potom stejně postupujte u tlačítka bezdrátové aktivace na nástroji.

► **Obr.26:** 1. Tlačítko bezdrátové aktivace 2. Indikátor bezdrátové aktivace

Po úspěšném propojení vysavače a nástroje se na 2 sekundy zeleně rozsvítí indikátory bezdrátové aktivace a pak začnou modře blikat.

**POZNÁMKA:** Indikátory bezdrátové aktivace přestanou zeleně blikat po uplynutí 20 sekund. Stiskněte tlačítko bezdrátové aktivace na nástroji, dokud indikátor bezdrátové aktivace na vysavači bliká. Pokud indikátor bezdrátové aktivace neblíká zeleně, krátce stiskněte tlačítko bezdrátové aktivace a znovu ho přidržte stisknuté.

**POZNÁMKA:** Když provádíte dvě a více registrací nástroje pro jeden vysavač, proveďte registraci nástroje jednotlivě.

## Spuštění funkce bezdrátové aktivace

**POZNÁMKA:** Registraci nástroje pro vysavač dokončete před bezdrátovou aktivací.

**POZNÁMKA:** Viz také návod k obsluze vysavače.

Po registraci nástroje k vysavači se vysavač automaticky spustí při sepnutí spouště nástroje.

1. Instalujte bezdrátovou jednotku do nástroje.

2. Propojte hadici vysavače s nástrojem.

► **Obr.27**

3. Nastavte přepínač pohotovostního režimu na vysavači do polohy AUTO.

► **Obr.28:** 1. Přepínač pohotovostního režimu

4. Krátce stiskněte tlačítko bezdrátové aktivace na nástroji. Indikátor bezdrátové aktivace bude blikat modře.

► **Obr.29:** 1. Tlačítko bezdrátové aktivace 2. Indikátor bezdrátové aktivace

5. Stiskněte spoušť nástroje. Zkontrolujte, zda je vysavač při stisknutí spouště nástroje spuštěný.

Pokud chcete zastavit bezdrátovou aktivaci vysavače, stiskněte tlačítko bezdrátové aktivace nástroje.

**POZNÁMKA:** Indikátor bezdrátové aktivace na nástroji přestane blikat modře po 2 hodinách nečinnosti nástroje. V takovém případě nastavte přepínač pohotovostního režimu na vysavači do polohy AUTO a znovu stiskněte tlačítko pro aktivaci na nástroji.

**POZNÁMKA:** Vysavač se spustí/zastaví se zpožděním. Je tu určitá časová prodleva, než vysavač detekuje stisknutí spouště nástroje.









**POZNÁMKA:** Přenosová vzdálenost bezdrátové jednotky se může lišit v závislosti na umístění a podmínkách prostředí.

**POZNÁMKA:** Když je k jednomu vysavači registrováno více nástrojů, může se vysavač spustit, i když nestisknete spoušť, když jiný uživatel použije funkci bezdrátové aktivace.

## Popis stavu indikátoru bezdrátové aktivity

### ► Obr.30: 1. Indikátor bezdrátové aktivity

Indikátor bezdrátové aktivity zobrazuje stav funkce bezdrátové aktivity. Vysvětlení stavu indikátorů najdete v následující tabulce.

Stav	Indikátor bezdrátové aktivity				Popis
	Barva	 Svítí	 Bliká	Trvání	
Pohotovostní režim	Modrá			2 hodiny	Je dostupná bezdrátová aktivace vysavače. Indikátor automaticky zhasne po 2 hodinách nečinnosti.
				Při spuštění nástroje.	Bezdrátová aktivace vysavače je dostupná a nástroj je spuštěn.
Registrace nástroje	Zelená			20 sekund	Připraveno k registraci nástroje. Čeká se na registraci vysavačem.
				2 sekundy	Registrace nástroje byla dokončena. Indikátor bezdrátové aktivity začne blikat modře.
Rušení registrace nástroje	Červená			20 sekund	Připraveno zrušení registrace nástroje. Čeká se na zrušení od vysavače.
				2 sekundy	Zrušení registrace nástroje bylo dokončeno. Indikátor bezdrátové aktivity začne blikat modře.
Jiné	Červená			3 sekundy	Bezdrátová jednotka je napájena a funkce bezdrátové aktivity se spouští.
	Nesvítí	-		-	Bezdrátová aktivace vysavače byla zastavena.

## Rušení registrace nástroje pro vysavač

Při rušení registrace nástroje pro vysavač postupujte takto.

1. Instalujte baterie do vysavače a nástroje.
2. Nastavte přepínač pohotovostního režimu na vysavači do polohy AUTO.

### ► Obr.31: 1. Přepínač pohotovostního režimu

3. Stiskněte tlačítko bezdrátové aktivity na vysavači na dobu 6 sekund. Indikátor bezdrátové aktivity bliká zeleně a pak svítí červeně. Potom stejným způsobem stiskněte tlačítko bezdrátové aktivity na nástroji.

### ► Obr.32: 1. Tlačítko bezdrátové aktivity 2. Indikátor bezdrátové aktivity

Po úspěšném zrušení se na 2 sekundy červeně rozsvítí indikátory bezdrátové aktivity a pak začnou modře blikat.

**POZNÁMKA:** Indikátory bezdrátové aktivity přestanou červeně blikat po uplynutí 20 sekund. Stiskněte tlačítko bezdrátové aktivity na nástroji, dokud indikátor bezdrátové aktivity na vysavači bliká. Pokud indikátor bezdrátové aktivity neblíká červeně, krátce stiskněte tlačítko bezdrátové aktivity a znovu ho přidržte stisknuté.

## Odstraňování problémů funkce bezdrátové aktivace

Před žádostí o opravu proveďte nejprve prohlídku sami. Narazíte-li na problém, jenž v této příručce není vysvětlen, nepouštějte se do demontáže zařízení. Požádejte o pomoc některé z autorizovaných servisních středisek Makita, kde k opravám vždy používají náhradní díly Makita.

Problém	Pravděpodobná příčina (porucha)	Náprava
Indikátor bezdrátové aktivace nesvítí/nebliká.	Bezdrátová jednotka není instalována v nástroji. Bezdrátová jednotka není správně instalována v nástroji.	Proveďte správnou instalaci bezdrátové jednotky.
	Svorka na bezdrátové jednotce nebo drážka jsou znečištěné.	Opatrně otřete prach na svorce bezdrátové jednotky a vyčistěte drážku.
	Tlačítko bezdrátové aktivace na nástroji nebylo stlačeno.	Krátce stiskněte tlačítko bezdrátové aktivace na nástroji.
	Přepínač pohotovostního režimu vysavače není nastaven do polohy AUTO.	Nastavte přepínač pohotovostního režimu na vysavači do polohy AUTO.
	Chybí zdroj napájení	Připojte napájení k nástroji a vysavači.
Nelze dokončit registraci nástroje / zrušit registraci nástroje.	Bezdrátová jednotka není instalována v nástroji. Bezdrátová jednotka není správně instalována v nástroji.	Proveďte správnou instalaci bezdrátové jednotky.
	Svorka na bezdrátové jednotce nebo drážka jsou znečištěné.	Opatrně otřete prach na svorce bezdrátové jednotky a vyčistěte drážku.
	Přepínač pohotovostního režimu vysavače není nastaven do polohy AUTO.	Nastavte přepínač pohotovostního režimu na vysavači do polohy AUTO.
	Chybí zdroj napájení	Připojte napájení k nástroji a vysavači.
	Nesprávná operace	Krátce stiskněte tlačítko bezdrátové aktivace a opakujte postupy registrace/zrušení.
	Nástroj a vysavač jsou daleko od sebe (mimo dosah vysílání).	Přesuňte nástroj a vysavač blíž k sobě. Maximální přenosová vzdálenost je přibližně 10 m. To se ale může lišit v závislosti na podmínkách.
	Před dokončením registrace/zrušení: – spoušť nástroje je stisknuta nebo – vypínač vysavače je zapnutý.	Krátce stiskněte tlačítko bezdrátové aktivace a opakujte postupy registrace/zrušení.
	Registrace nástroje pro vysavač nebo nástroj nebyly dokončeny.	Proveďte registraci nástroje a vysavače se stejným načasováním.
	Rušení bezdrátového přenosu ze strany jiných zařízení, která generují silné rádiové vlny.	Nástroj a vysavač je potřeba uchovávat dál od zařízení, jako jsou zařízení Wi-Fi a mikrovlnné trouby.
Vysavač se nespustí při stisknutí spouště nástroje.	Bezdrátová jednotka není instalována v nástroji. Bezdrátová jednotka není správně instalována v nástroji.	Proveďte správnou instalaci bezdrátové jednotky.
	Svorka na bezdrátové jednotce nebo drážka jsou znečištěné.	Opatrně otřete prach na svorce bezdrátové jednotky a vyčistěte drážku.
	Tlačítko bezdrátové aktivace na nástroji nebylo stlačeno.	Krátce stiskněte tlačítko pro bezdrátovou aktivaci a ujistěte se, že indikátor bezdrátové aktivace bliká modře.
	Přepínač pohotovostního režimu vysavače není nastaven do polohy AUTO.	Nastavte přepínač pohotovostního režimu na vysavači do polohy AUTO.
	K vysavači je registrováno více než 10 nástrojů.	Opakujte registraci nástroje. Pokud je k vysavači registrováno více než 10 nástrojů, dojde k automatickému zrušení nejstarší registrace.
	Vysavač vymazal všechny registrace nástrojů.	Opakujte registraci nástroje.
	Chybí zdroj napájení	Připojte napájení k nástroji a vysavači.
	Nástroj a vysavač jsou daleko od sebe (mimo dosah vysílání).	Přesuňte nástroj a vysavač blíž k sobě. Maximální přenosová vzdálenost je přibližně 10 m. To se ale může lišit v závislosti na podmínkách.
	Rušení bezdrátového přenosu ze strany jiných zařízení, která generují silné rádiové vlny.	Nástroj a vysavač je potřeba uchovávat dál od zařízení, jako jsou zařízení Wi-Fi a mikrovlnné trouby.
Vysavač se spustí, ačkoli nebyla stisknuta spoušť nástroje.	Jiní uživatelé bezdrátové aktivují vysavač pomocí svých nástrojů.	Vypněte tlačítko bezdrátové aktivace u ostatních nástrojů nebo zrušte registraci ostatních nástrojů.



# ÚDRŽBA

**⚠ UPOZORNĚNÍ:** Před zahájením kontroly nebo údržby nářadí se vždy ujistěte, zda je vypnuté a je vyjmut akumulátor.

**POZOR:** Nikdy nepoužívejte benzín, benzen, ředidlo, alkohol či podobné prostředky. Mohlo by tak dojít ke změnám barvy, deformacím či vzniku prasklin.

K zachování BEZPEČNOSTI a SPOLEHLIVOSTI výrobku musí být opravy a veškerá další údržba či seřizování prováděny autorizovanými nebo továrními servisními středisky společnosti Makita s využitím náhradních dílů Makita.

## Čištění větracích otvorů

Nářadí a větrací otvory je nutno udržovat v čistotě. Větrací otvory nářadí čistěte pravidelně nebo kdykoliv dojde k jejich zablokování.

► **Obr.33:** 1. Výfukový otvor 2. Sací otvor

**⚠ UPOZORNĚNÍ:** Jestliže jsou otvory ucpané prachem či jiným materiálem, vyčistěte je.

Pokračující používání s ucpanými otvory může způsobit požár.

# VOLITELNÉ PŘÍSLUŠENSTVÍ

**⚠ UPOZORNĚNÍ:** Pro nářadí Makita popsané v tomto návodu doporučujeme používat následující příslušenství a nástavce. Při použití jiného příslušenství či nástavců může hrozit nebezpečí zranění osob. Příslušenství lze používat pouze pro stanovené účely.

Potřebujete-li bližší informace ohledně tohoto příslušenství, obraťte se na vaše místní servisní středisko firmy Makita.

- Pracovní nástroj k řezání sádrokartonu
- Víceúčelový pracovní nástroj
- Kužel upínacího pouzdra
- Klíč
- Kruhové vodítko
- Odsávací kryt
- Háček
- Bezdrátová jednotka
- Originální akumulátor a nabíječka Makita

**POZNÁMKA:** Některé položky seznamu mohou být k nářadí přibaleny jako standardní příslušenství. Přibalené příslušenství se může v různých zemích lišit.

## ТЕХНІЧНІ ХАРАКТЕРИСТИКИ

<b>Модель:</b>		<b>DCO181</b>
Макс. діаметр цангового патрона		3,0 мм; 3,18 мм; 6,0 мм; 6,35 мм
Швидкість у режимі холостого ходу		32 000 хв <sup>-1</sup>
Загальна довжина	з BL1820B	293 мм
	з BL1860B	311 мм
Номінальна напруга		18 В пост. струму
Маса нетто		1,4—1,7 кг

- Оскільки наша програма наукових досліджень і розробок триває безперервно, наведені тут технічні характеристики можуть бути змінені без попередження.
- Технічні характеристики приладу та касета з акумулятором можуть відрізнятися в різних країнах.
- Вага може відрізнятися залежно від допоміжного обладнання, наприклад касети з акумулятором. Найлегші та найважчі комплекти, відповідно до стандарту ЕРТА (Європейська асоціація виробників електроінструменту) від січня 01/2014 року, представлено в таблиці.

### Застосовна касета з акумулятором і зарядний пристрій

Касета з акумулятором	BL1815N / BL1820 / BL1820B / BL1830 / BL1830B / BL1840 / BL1840B / BL1850 / BL1850B / BL1860B
Зарядний пристрій	DC18RC / DC18RD / DC18RE / DC18SD / DC18SE / DC18SF / DC18SH

- Деякі касети з акумулятором і зарядні пристрої, які вказано вище, можуть бути недоступними залежно від вашого регіону або місця перебування.

**⚠ ПОПЕРЕДЖЕННЯ:** Використовуйте лише касети з акумулятором і зарядні пристрої, перелічені вище. Використання будь-яких інших касет з акумулятором і зарядних пристроїв може призвести до травми й/або пожежі.

### Призначення

Інструмент призначено для обрізання країв та фасонної обробки деревини, пластмаси та подібних матеріалів.

### Шум

Рівень шуму за шкалою А в типовому виконанні, визначений відповідно до стандарту EN62841-2-17:

Рівень звукового тиску ( $L_{pA}$ ): 78 дБ (А)

Похибка (К): 3 дБ (А)

Рівень шуму під час роботи може перевищувати 80 дБ (А).

**ПРИМІТКА:** Заявлене значення шуму було виміряно відповідно до стандартних методів тестування й може використовуватися для порівняння одного інструмента з іншим.

**ПРИМІТКА:** Заявлене значення шуму може також використовуватися для попереднього оцінювання впливу.

**⚠ ПОПЕРЕДЖЕННЯ:** Користуйтеся засобами захисту органів слуху.

**⚠ ПОПЕРЕДЖЕННЯ:** Залежно від умов використання рівень шуму під час фактичної роботи електроінструмента може відрізнятися від заявленого значення вібрації; особливо сильно на це впливає тип деталі, що оброблюється.

**⚠ ПОПЕРЕДЖЕННЯ:** Забезпечте належні запобіжні заходи для захисту оператора, що відповідатимуть умовам використання інструмента (слід брати до уваги всі складові робочого циклу, як-от час, коли інструмент вимкнено та коли він починає працювати на холостому ході під час запуску).

### Вібрація

Загальна величина вібрації (векторна сума трьох напрямків) визначена згідно з EN62841-2-17:

Режим роботи: обертання без навантаження

Вібрація ( $a_h$ ): 2,5 м/с<sup>2</sup> або менше

Похибка (К): 1,5 м/с<sup>2</sup>

**ПРИМІТКА:** Заявлене загальне значення вібрації було виміряно відповідно до стандартних методів тестування й може використовуватися для порівняння одного інструмента з іншим.

**ПРИМІТКА:** Заявлене загальне значення вібрації може також використовуватися для попереднього оцінювання впливу.

**⚠ ПОПЕРЕДЖЕННЯ:** Залежно від умов використання вібрація під час фактичної роботи електроінструмента може відрізнятися від заявленого значення вібрації; особливо сильно на це впливає тип деталі, що оброблюється.

**⚠ ПОПЕРЕДЖЕННЯ:** Забезпечте належні запобіжні заходи для захисту оператора, що відповідатимуть умовам використання інструмента (слід брати до уваги всі складові робочого циклу, як-от час, коли інструмент вимкнено та коли він починає працювати на холостому ході під час запуску).

## Декларація про відповідність стандартам ЄС

*Тільки для країн Європи*

Декларацію про відповідність стандартам ЄС наведено в Додатку А до цієї інструкції з експлуатації.

## ПОПЕРЕДЖЕННЯ ПРО ДОТРИМАННЯ ТЕХНІКИ БЕЗПЕКИ

### Загальні застереження щодо техніки безпеки при роботі з електроінструментами

**⚠ ПОПЕРЕДЖЕННЯ:** Уважно ознайомтеся з усіма попередженнями про дотримання правил техніки безпеки, інструкціями, ілюстраціями та технічними характеристиками, що стосуються цього електроінструмента. Невиконання будь-яких інструкцій, перелічених нижче, може призвести до ураження електричним струмом, пожежі та/або тяжких травм.

### Збережіть усі інструкції з техніки безпеки та експлуатації на майбутнє.

Термін «електроінструмент», зазначений у інструкції з техніки безпеки, стосується електроінструмента, який функціонує від електромережі (електроінструмент з кабелем живлення), або електроінструмента з живленням від батареї (безпроводний електроінструмент).

## Правила техніки безпеки під час експлуатації акумуляторного різального інструмента

1. Тримайте електроприлад за ізольовані поверхні держака під час виконання дії, за якої він може зачепити сховану електропроводку. Торкання ріжучим приладом струмоведучої проводки може призвести до передання напруги до оголених металевих частин інструмента та ураженню оператора електричним струмом.
2. За допомогою скоб або якогось іншого дієвого способу слід обперти та закріпити деталь на стійкій платформі. Утримування деталі руками або тілом не фіксує деталі та може призвести до втрати контролю.
3. Одягайте захисні окуляри та пилозахисну маску.
4. Провітрійте належним чином приміщення виконання робіт.
5. Перед початком роботи слід ретельно перевірити полотно на наявність тріщин або пошкодження. Слід негайно замінити тріснуті або пошкоджені голівки.
6. Перед початком різання обов'язково перевірте, щоб нижче деталі був відповідний зазор для того, щоб уникнути удару полотна о тверду поверхню, наприклад підлога, верстат і т.д.
7. Забороняється різати металеві предмети, а саме цвяхи та гвинти. Перед початком роботи огляньте деталь та заберіть усі цвяхи, гвинти та інший сторонній матеріал з деталі.
8. Перевірте, щоб полотно не торкалося деталі до натискання вмикача. Під час увімкнення інструменту тримай його двома руками. Крутий момент двигуна може спричинити повертання інструменту.
9. Перед початком різання деталі, запустіть інструмент та дайте попрацювати йому деякий час. Перевірте чи не коливає або не виляє вона, що вказує на неправильне встановлення голівки.
10. Перед увімкненням перевірте, щоб фіксатор вала було відпущено.
11. Башмак слід обов'язково надійно прикріпити до інструменту та міцно притиснути до деталі.
12. Міцно тримайте інструмент.
13. Під час роботи забороняється тримати або спрямовувати деталь руками.
14. Тримай руки на відстані від рухомих частин.
15. Не слід використовувати цей інструмент для свердління.
16. Не залишайте інструмент працюючим. Працюйте з інструментом тільки тоді, коли тримаєте його в руках.
17. Обов'язково після вимкнення інструменту заждіть доки полотно не зупиниться повністю, та лише тоді знімайте його з деталі.

18. Не торкайся полотна або деталі одразу після різання, вони можуть бути дуже гарячими та призвести до опіку шкіри.
19. Під час користування різачками слід звертати увагу на діаметр хвостовика, який повинен відповідати швидкості інструменту.
20. Розміщуйте інструмент на рівній і стійкій поверхні. В іншому випадку інструмент може впасти й завдати травм.
8. Заборонено забивати цвяхи в касету з акумулятором, різати, ламати, кидати, впускати касету з акумулятором або вдаряти її твердим предметом. Це може призвести до пожежі, перегріву або вибуху.
9. Не слід використовувати пошкоджений акумулятор.
10. Літій-іонні акумулятори, що містяться в інструменті, мають відповідати вимогам законів про небезпечні товари.

## ЗБЕРІГАЙТЕ ЦІ ВКАЗІВКИ.

**▲ПОПЕРЕДЖЕННЯ:** НИКОЛИ НЕ СЛІД втрачати пильності та розслаблюватися під час користування виробом (що трапляється при частому використанні); слід завжди строго дотримуватися правил безпеки під час використання цього пристрою. **НЕНАЛЕЖНЕ ВИКОРИСТАННЯ** або недотримання правил безпеки, викладених в цьому документі, може призвести до серйозних травм.

### Важливі інструкції з безпеки для касети з акумулятором

1. Перед тим як користуватися касетою з акумулятором, слід прочитати всі інструкції та застережні знаки щодо (1) зарядного пристрою акумулятора, (2) акумулятора та (3) виробів, що працюють від акумулятора.
2. Не розбирайте касету з акумулятором і не змінюйте її конструкцію. Це може призвести до пожежі, перегріву або вибуху.
3. Якщо період роботи дуже покортшав, слід негайно припинити користування. Це може призвести до виникнення ризику перегріву, опіку та навіть вибуху.
4. У разі потраплення електроліту в очі слід промити їх чистою водою та негайно звернутися до лікаря. Це може призвести до втрати зору.
5. Не закоротіть касету з акумулятором.
  - (1) Не слід торкатися клем будь-яким струмопровідним матеріалом.
  - (2) Не слід зберігати касету з акумулятором у ємності з іншими металевими предметами, такими як цвяхи, монети тощо.
  - (3) Не залишайте касету з акумулятором під дощем, запобігайте контакту з водою.

Коротке замикання може призвести до появи значного струму, перегріву, можливих опіків та навіть виходу з ладу.
6. Не слід зберігати й використовувати інструмент і касету з акумулятором у місцях, де температура може сягнути чи перевищити 50 °C (122 °F).
7. Не слід спалювати касету з акумулятором, навіть якщо вона була неодноразово пошкоджена або повністю спрацьована. Касета з акумулятором може вибухнути у вогні.

- Під час транспортування за допомогою комерційних перевезень, наприклад із залученням третьої сторони та експедиторів, необхідно дотримуватись особливих вимог, вказаних на пакуванні й у маркуванні.
- Під час підготування позиції до відправлення необхідно проконсультуватись зі спеціалістом з небезпечних матеріалів. Крім того, слід виконувати більш докладні національні настанови, якщо такі є. Заклейте відкриті контакти стрічкою або заховайте їх і запакуйте акумулятор таким чином, щоб він не міг рухатися в пакуванні.
11. Для утилізації касети з акумулятором витягніть її з інструмента та утилізуйте безпечним способом. Дотримуйтеся норм місцевого законодавства щодо утилізації акумуляторів.
  12. Використовуйте акумулятори лише з виробами, указаними компанією Makita. Установлення акумуляторів у невідповідні вироби може призвести до пожежі, надмірного нагрівання, вибуху чи витoku електроліту.
  13. Якщо інструментом не користуватимуться протягом тривалого періоду часу, вийміть акумулятор з інструмента.
  14. Під час і після використання касета з акумулятором може нагріватися, що може стати причиною опіків або низькотемпературних опіків. Будьте обережні під час поводження з гарячою касетою з акумулятором.
  15. Не торкайтеся контактів інструмента відразу після використання, оскільки він може бути досить гарячим, щоб викликати опіки.
  16. Не допускайте, щоб уламки, пил або земля прилипали до контактів, отворів і пазів на касеті з акумулятором. Це може привести до зниження експлуатаційних параметрів, поломки інструмента або касети з акумулятором.
  17. Якщо інструмент не розраховано на використання поблизу високовольтних ліній електропередач, не використовуйте касету з акумулятором поблизу високовольтних ліній електропередач. Це може призвести до несправності, поломки інструмента або касети з акумулятором.
  18. Тримайте акумулятор у недоступному для дітей місці.

## ЗБЕРІГАЙТЕ ЦІ ВКАЗІВКИ.

**▲ОБЕРЕЖНО:** Використовуйте тільки акумулятори Makita. Використання акумуляторів, інших ніж оригінальні акумулятори Makita, або акумуляторів, конструкцію яких було змінено, може призвести до вибуху акумулятора і спричинити пожежу, травму або пошкодження. У зв'язку з цим також буде анульовано гарантію Makita на інструмент Makita і на зарядний пристрій.

## Поради з забезпечення максимального строку експлуатації акумулятора

1. Касету з акумулятором слід заряджати до того, як він розрядиться повністю. Завжди слід зупинити роботу інструмента та зарядити акумулятор, якщо ви помітили зменшення потужності інструмента.
2. Ніколи не слід заряджати повторно повністю заряджену касету з акумулятором. Перезарядження скорочує строк експлуатації акумулятора.
3. Заряджайте касету з акумулятором при кімнатній температурі 10°C - 40°C (50°F - 104°F). Перед тим як заряджати касету з акумулятором, слід зачекати, доки вона охолоне.
4. Коли касета з акумулятором не використовується, виймайте її з інструмента або зарядного пристрою.
5. Якщо касета з акумулятором не використовувалася тривалий час (понад шість місяців), її слід зарядити.

## Важливі інструкції з безпеки для бездротового модуля

1. Не розбирайте бездротовий модуль і не намагайтеся втручатися в його роботу.
2. Зберігайте бездротовий модуль у недосяжному для дітей місці. При випадковому проковтуванні негайно зверніться до лікаря.
3. Використовуйте бездротовий модуль лише з інструментами Makita.
4. Не тримайте бездротовий модуль під дощем або в умовах підвищеної вологості.
5. Не використовуйте бездротовий модуль у місцях, де температура перевищує 50°C.
6. Не використовуйте бездротовий модуль неподалік від медичних приборів, таких як кардіостимулятори.
7. Не використовуйте бездротовий модуль поруч з автоматизованими пристроями. Таке використання може спричинити збої або помилки в роботі автоматизованих пристроїв.
8. Не використовуйте бездротовий модуль у місцях, де він може піддаватися впливу високої температури, статичної електрики або електричних перешкод.
9. Бездротовий модуль може генерувати електромагнітні поля (ЕМП), нешкідливі для користувача.
10. Бездротовий модуль є точним інструментом. Будьте уважні, щоб не впустити або не вдарити бездротовий модуль.
11. Не торкайтеся контактів бездротового модуля голими руками або металевими предметами.
12. Перш ніж установлювати бездротовий модуль, обов'язково вийміть акумулятор.
13. Не відкривайте кришку відсіку в місцях, де в нього може потрапити пил або вода. Завжди тримайте вхідний отвір відсіку в чистоті.
14. Завжди вставляйте бездротовий модуль правильною стороною.
15. Не натискайте занадто сильно кнопку активації на бездротовому модулі та не робіть це гострим предметом.
16. Під час роботи завжди закривайте кришку відсіку.
17. Не виймайте бездротовий модуль із відсіку, поки на інструмент подається живлення. Це може призвести до несправності бездротового модуля.
18. Не видаляйте наклейку на бездротовому модулі.
19. Не розміщуйте будь-які наклейки на бездротовому модулі.
20. Не залишайте бездротовий модуль під впливом статичної електрики або електричних перешкод.
21. Не залишайте бездротовий модуль під впливом високої температури, наприклад на сидінні автомобіля на сонці.
22. Не залишайте бездротовий модуль у запиленому або запорошеному місці або в місці, де може утворитися корозійний газ.
23. Раптова зміна температури може призвести до конденсації вологи на бездротовому модулі. Не використовуйте бездротовий модуль, поки волога не висохне повністю.
24. Під час чищення бездротового модуля обережно протирайте його сухою м'якою тканиною. Не використовуйте бензин, розчинник, електропровідне мастило тощо.
25. Зберігайте бездротовий модуль в упаковці з комплекту постачання або в контейнері, захищеному від дії статичної електрики.
26. Не вставляйте у відсік інструмента будь-які інші пристрої, крім бездротового модуля Makita.
27. Не використовуйте інструмент із пошкодженою кришкою відсіку. Потраплення у відсік води, пилу та бруду може привести до несправності.
28. Не тягніть і не скручуйте кришку відсіку більше, ніж необхідно. Установіть кришку на місце, якщо вона від'єдналася від інструмента.
29. Замініть кришку відсіку, якщо її було загнуто або пошкоджено.

## ЗБЕРІГАЙТЕ ЦІ ВКАЗІВКИ.

# ОПИС РОБОТИ

**▲ ОБЕРЕЖНО:** Обов'язково переконайтеся, що прилад вимкнено, а касету з акумулятором знято, перед регулюванням або перевіркою функціонування інструмента.

## Встановлення та зняття касети з акумулятором

**▲ ОБЕРЕЖНО:** Завжди вимикайте інструмент перед встановленням або зняттям касети з акумулятором.

**▲ ОБЕРЕЖНО:** Під час встановлення або зняття касети з акумулятором слід міцно тримати інструмент та касету з акумулятором. Якщо ви утримуватимете інструмент та касету з акумулятором недостатньо міцно, вони можуть вислизнути з рук, що може призвести до пошкодження інструмента та касети з акумулятором або може спричинити травми.

► **Рис.1:** 1. Червоний індикатор 2. Кнопка 3. Касета з акумулятором

Щоб зняти касету з акумулятором, слід витягнути її з інструмента, натиснувши на кнопку в передній частині касети.

Щоб установити касету з акумулятором, слід сумістити виступ на касеті з акумулятором із пазом у корпусі та вставити касету на місце. Її необхідно вставити повністю, аж доки не почуєте клацання. Якщо на верхній частині кнопки помітний червоний індикатор, це означає, що касета з акумулятором установлена не до кінця.
















**▲ ОБЕРЕЖНО:** Завжди вставляйте касету з акумулятором повністю, щоб червоного індикатора не було видно. Якщо цього не зробити, касета може випадково випасти з інструмента та завдати травми вам або людям, що знаходяться поряд.

**▲ ОБЕРЕЖНО:** Не встановлюйте касету з акумулятором із зусиллям. Якщо касета не вставляється легко, то це означає, що ви її неправильно вставляєте.

## Відображення залишкового заряду акумулятора

*Тільки для касет з акумулятором, які мають індикатори*

► **Рис.2:** 1. Індикаторні лампи 2. Кнопка перевірки  
Натисніть кнопку перевірки на касеті з акумулятором для відображення залишкового ресурсу акумулятора. Індикаторні лампи загоряться на кілька секунд.

Індикаторні лампи			Залишковий ресурс
			
			від 75 до 100%
			від 50 до 75%
			від 25 до 50%
			від 0 до 25%
			Зарядіть акумулятор.
			Можливо, акумулятор вийшов з ладу.
			

**ПРИМІТКА:** Залежно від умов використання та температури оточуючого середовища показання можуть незначним чином відрізнитися від дійсного ресурсу.

**ПРИМІТКА:** Перша (дальня ліва) індикаторна лампа блимає під час роботи захисної системи акумулятора.

## Система захисту інструмента/акумулятора

Інструмент оснащено системою захисту інструмента/акумулятора. Ця система автоматично вимикає живлення двигуна з метою збільшення терміну служби інструмента та акумулятора. Інструмент автоматично зупиняється під час роботи, якщо інструмент або акумулятор перебувають у зазначених нижче умовах.

### Захист від перевантаження

Якщо інструмент або акумулятор використовується в умовах надмірного споживання струму, інструмент автоматично вимикається без будь-якого попередження. У такому випадку вимкніть інструмент і припиніть роботу, під час виконання якої сталося перевантаження інструмента. Щоб перезапустити інструмент, увімкніть його знову.

### Захист від перегрівання

Якщо інструмент або акумулятор перегрівся, інструмент автоматично вимикається, а лампа підсвічування починає блимати. У такому випадку дозвольте інструменту й акумулятору охолонути, перш ніж знову увімкнути інструмент.

### Захист від надмірного розрядження

Коли заряд акумулятора стає недостатнім для подальшої роботи, інструмент автоматично зупиняється. У такому випадку вийміть акумулятор з інструмента та зарядіть його.

## Дія вимикача

**⚠ОБЕРЕЖНО:** Перед тим як вставляти касету з акумулятором в інструмент, слід переконатися, що повзунковий перемикач працює належним чином і повертається в положення «ВИМК.» у разі натискання задньої частини повзункового перемикача.

► **Рис.3:** 1. Повзунковий перемикач

Для того щоб запустити інструмент, слід пересунути пересувний перемикач в положення "I (ВМК.)". Для безперервної роботи слід натиснути на передню частину пересувного перемикача, щоб його заблокувати.

Для зупинення інструмента слід натиснути на задню частину пересувного перемикача у напрямку положення "O (ВИМК.)".

## Увімкнення переднього підсвічування

► **Рис.4:** 1. Лампа

**⚠ОБЕРЕЖНО:** Не дивіться на світло або безпосередньо на джерело світла.

Щоб увімкнути лампу, встановіть перемикач у положення ввімкнення. Лампа світитиметься, поки перемикач буде в положенні ввімкнення. Підсвічування згасне приблизно через 10 секунд після того, як перемикач буде встановлено в положення вимкнення.

**ПРИМІТКА:** Для очищення скла лампи підсвічування протріть її сухою тканиною. Будьте обережні, щоб не подряпати скло лампи підсвічування, тому що це погіршить освітлювання.

**ПРИМІТКА:** У разі перегрівання інструмента лампа буде мигати протягом однієї хвилини. У цьому разі, перш ніж продовжувати роботу, слід дозволити інструментові охолонути.

## Функція запобігання раптовому перезапуску

Навіть якщо касета з акумулятором встановлюється в інструмент, коли пересувний перемикач знаходиться в положенні "I (ВМК.)", інструмент не запускається.

Для того, щоб запустити інструмент, слід пересунути повзунковий перемикач в напрямку положення "O (ВИМК.)", а потім перекинути його в положення "I (ВМК.)".

## Електронні функції

Для полегшення роботи інструмент обладнано електронними функціями.

- Плавний запуск  
Функція плавного запуску мінімізує ривок під час запуску та забезпечує плавний запуск інструмента.

## ЗБОРКА

**⚠ОБЕРЕЖНО:** Обов'язково переконайтеся, що прилад вимкнено, а касету з акумулятором знято, перш ніж проводити будь-які роботи з інструментом.

## Встановлення або зняття наконечника.

**УВАГА:** Не затягуйте гайку цанги без установленого наконечника, інакше конус цанги може зламатись.

► **Рис.5:** 1. Гайка цанги 2. Башмак 3. Фіксатор 4. Затягнути 5. Послабити

Натисніть на фіксатор, щоб заблокувати обертання вала під час встановлення або зняття наконечника. Щоб установити наконечник, вставте його в конус цанги до упору й надійно затягніть гайку цанги ключем або башмаком.

Для того, щоб зняти наконечник, виконайте процедуру його встановлення у зворотному порядку.

## Заміна конуса цанги

*Залежно від країни*

**УВАГА:** Розмір конуса цанги має відповідати використовуваному наконечнику.

**УВАГА:** Не затягуйте гайку цанги без установленого наконечника, інакше конус цанги може зламатись.

► **Рис.6:** 1. Конус цанги 2. Свердло 3. Гайка цанги

Для заміни конуса цанги послабте й зніміть гайку цанги. Замініть установлений конус цанги на конус правильного розміру. Установіть на місце гайку цанги.

## Установка башмака

Щоб установити башмак, спочатку послабте гвинт із накатаною головкою. Прикріпіть башмак до інструмента й надійно зафіксуйте його гвинтом із накатаною головкою.

► **Рис.7:** 1. Башмак 2. Гвинт з накатаною головкою

## Гак

**⚠ОБЕРЕЖНО:** Ніколи не підвішуйте інструмент за скобу високо та не залишайте його на потенційно нестійкій поверхні.

► **Рис.8:** 1. Паз 2. Гак 3. Гвинт

Гачок призначений для тимчасового підвішування інструмента.

Щоб встановити гак, вставте його в паз на корпусі інструмента та закріпіть гвинтом. Щоб зняти гак, відкрутіть гвинт і витягніть його.

## Отвір для ременя

Отвір для ременя призначений для підвішування інструмента на стіну за ремінь.

► **Рис.9:** 1. Отвір для ременя

**▲ ПОПЕРЕДЖЕННЯ:** Використовуйте отвір для ременя лише для підвішування інструмента на стіну. Недотримання цієї вимоги може призвести до серйозних травм, оскільки отвір для ременя не призначений для інших цілей, окрім підвішування на стіну.

## ЗАСТОСУВАННЯ

**▲ ОБЕРЕЖНО:** Уникайте прикладання сили до наконечника, щоб він не зігнувся та не перекутився. Він може зіскочити.

**▲ ОБЕРЕЖНО:** Перед тим, як увімкнути інструмент, слід перевірити, щоб наконечник та гайка були надійно затягнуті.

**▲ ОБЕРЕЖНО:** Завжди використовуйте інструмент із прикріпленою основою (наприклад, башмаком або вакуумною кришкою).

Міцно утримуйте інструмент, спрямувавши наконечник у безпечному напрямку, не торкаючись ним жодних поверхонь. Увімкніть інструмент і почекайте, доки він набере повну швидкість.

► **Рис.10**

Під час занурення прямого наконечника для різання штукатурки в штукатурку його слід вставляти обережно, доки башмак не буде повністю прилягати до матеріалу.

Для різання повільно пересувайте інструмент за годинниковою стрілкою, докладаючи постійне зусилля.

► **Рис.11:** 1. Напрямна дошка

Для виконання прямого розрізу надійно притисніть напрямну дошку до матеріалу й використовуйте її як напрямну. Пересувайте інструмент у напрямку, позначеному стрілкою, притискаючи башмак до бічної поверхні прямої дошки.

Після завершення різання вимкніть інструмент, дочекайтеся, доки наконечник зупиниться, після чого обережно витягніть його з матеріалу.

**УВАГА:** Не докладайте надмірних зусиль, притискаючи наконечник до матеріалу, який ріжете. Наконечник може затупитися чи зламатися або інструмент може вийти з ладу.

**ПРИМІТКА:** Якщо потрібно вирізати отвір для розетки в гіпсокартоні, виконуйте розріз проти годинникової стрілки, щоб полегшити собі роботу.

**ПРИМІТКА:** Стандартний наконечник, який надається з інструментом, призначений лише для різання гіпсокартону. Не використовуйте стандартний напрямний наконечник для гіпсокартону для різання будь-яких інших матеріалів, окрім гіпсокартону.

## Вакуумна кришка

Щоб забезпечити чистоту під час роботи, використовуйте вакуумну кришку та під'єднайте інструмент до пилососа Makita.

► **Рис.12:** 1. Інструмент 2. Вакуумна кришка 3. Шланг 4. Пилосос

Послабте смушковий гвинт та зніміть башмак.

Приєднайте насадку для приєднання пилососа та надійно закріпіть її за допомогою смушкового гвинта.

► **Рис.13:** 1. Гвинт з накатаною головкою 2. Вакуумна кришка

**ПРИМІТКА:** На насадку для приєднання пилососа можна встановити кругову напрямну (додаткове приладдя).

## Використання універсального наконечника

### Додаткове приладдя

Під час занурення універсального наконечника в матеріал інструмент слід тримати під кутом 45 градусів таким чином, щоб край основи башмака торкався матеріалу.

► **Рис.14**

Обережно установіть інструмент у пряме положення таким чином, щоб основа башмака повністю прилягала до матеріалу.

► **Рис.15**

## Кругова напрямна

### Додаткове приладдя

Діаметри циркулярного різання: 10 см - 34 см

## Встановлення кругової прямої.

Викрутіть гвинт із накатаною головкою, який використовується для кріплення башмака.

► **Рис.16:** 1. Гвинт з накатаною головкою 2. Башмак

Сумістіть виступи на круговій прямій із пазами на башмакові, а також закріпіть башмак та кругову напрямну за допомогою смушкового гвинта.

► **Рис.17:** 1. Виступи 2. Башмак

Щоб відрегулювати глибину різання, послабте гвинт із накатаною головкою та посуňte башмак із круговою напрямною. Після завершення регулювання надійно затягніть гвинт із накатаною головкою.

► **Рис.18:** 1. Гвинт з накатаною головкою 2. Кругова напрямна 3. Башмак 4. Послабити 5. Затягнути

## Використання кругової прямої

Послабте ручку й відрегулюйте її положення відповідно до розміру кола, за яким треба виконувати різання. (Розміри вирізуваних отворів зазначені на бічній поверхні кругової прямої як загальний орієнтир.) Після завершення регулювання надійно затягніть ручку.

► **Рис.19:** 1. Ручка 2. Затягнути 3. Послабити

Встановіть вістря ручки в центрі кола, за яким треба виконувати різання, й виконуйте різання за годинниковою стрілкою.

► **Рис.20:** 1. Ручка



# ФУНКЦІЯ БЕЗДРОТОВОЇ АКТИВАЦІЇ

## Для чого призначена функція бездротової активації

Використання функції бездротової активації забезпечує чистоту та комфортну роботу. Після під'єднання до інструмента сумісного пирососа його можна буде автоматично запускати разом з інструментом.

### ► Рис.21

Щоб скористатися функцією бездротової активації, підготуйте наступні компоненти:

- бездротовий модуль (додаткове обладнання);
- пиросос, який підтримує функцію бездротової активації.

Налаштування функції бездротової активації наведено далі. Щоб отримати докладні інструкції, зверніться до відповідного розділу.

1. Установлення бездротового модуля
2. Реєстрація інструмента для пирососа
3. Увімкнення функції бездротової активації

## Установлення бездротового модуля

### Додаткове приладдя

**⚠ОБЕРЕЖНО:** Під час установлення бездротового модуля розташуйте інструмент на рівній і стійкій поверхні.

**УВАГА:** Перед установленням бездротового модуля очистіть інструмент від пилу та бруду. Пил або бруд можуть стати причиною несправності, якщо вони потраплять у відсік бездротового пристрою.

**УВАГА:** Щоб уникнути несправностей, викликаних статичною електрикою, перш ніж торкатися бездротового модуля, доторкніться до деталі, яка допоможе зняти електростатичний заряд, наприклад до металевої частини інструменту.

**УВАГА:** Під час установлення бездротового модуля завжди стежте за тим, щоб уставляти його правильною стороною та щоб кришка відсіку була повністю закрита.

1. Відкрийте кришку на інструменті, як показано на малюнку.

### ► Рис.22: 1. Кришка

2. Вставте бездротовий модуль у відсік і закрийте кришку.

Під час установлення бездротового модуля сумістіть виступи із заглибленнями у відсіку.

- Рис.23: 1. Бездротовий модуль 2. Виступ 3. Кришка 4. Заглиблення

Під час вивільнення бездротового модуля відкривайте кришку повільно. Гачки на зворотному боці кришки зачеплять бездротовий модуль, якщо потягнути за кришку.

► Рис.24: 1. Бездротовий модуль 2. Гачок 3. Кришка  
Після зняття бездротового модуля зберігайте його в упаковці з комплекту постачання або в контейнері, захищеному від дії статичної електрики.

**УВАГА:** Під час вивільнення бездротового модуля завжди використовуйте гачки на зворотному боці кришки. Якщо гачки не захопили бездротовий модуль, повністю закрийте кришку та знову повільно відкрийте її.

## Реєстрація інструмента для пирососа

**ПРИМІТКА:** Для реєстрації інструмента потрібно мати пиросос Makita, який підтримує функцію бездротової активації.

**ПРИМІТКА:** Установіть бездротовий модуль в інструмент перед початком реєстрації.

**ПРИМІТКА:** Під час реєстрації інструмента не натискайте курок вмикача або кнопки живлення пирососа.

**ПРИМІТКА:** Див. також посібник з експлуатації пирососа.

Для увімкнення пирососа одночасно з інструментом спочатку виконайте реєстрацію інструмента.

1. Уставте акумулятори в пиросос та інструмент.
2. Установіть перемикач режиму очікування на пирососі в положення «АUTO».

### ► Рис.25: 1. Перемикач режиму очікування

3. Натисніть кнопку бездротової активації на пирососі та тримуйте її протягом 3 секунд, поки індикатор бездротової активації не почне блимати зеленим кольором. Потім так само натисніть кнопку бездротової активації на інструменті.

### ► Рис.26: 1. Кнопка бездротової активації 2. Індикатор бездротової активації

Якщо пиросос та інструмент з'єднані успішно, індикатори бездротової активації світитимуться зеленим світлом протягом 2 секунд, а потім почнуть блимати синім кольором.

**ПРИМІТКА:** Індикатори бездротової активації припинять блимати зеленим кольором за 20 секунд. Натисніть кнопку бездротової активації на інструменті, поки блимає індикатор бездротової активації на пирососі. Якщо індикатор бездротової активації не блимає зеленим, короткочасно натисніть кнопку бездротової активації, а потім знову натисніть і тримуйте її.

**ПРИМІТКА:** Якщо потрібно зареєструвати два або більше інструментів для одного пирососа, виконайте реєстрацію інструментів послідовно, один за одним.

## Увімкнення функції бездротової активації

**ПРИМІТКА:** Завершіть реєстрацію інструмента для пирососа до використання бездротової активації.

**ПРИМІТКА:** Див. також посібник з експлуатації пирососа.

Після реєстрації інструмента пиросос вмикатиметься автоматично, коли починає працювати інструмент.

1. Установіть бездротовий модуль в інструмент.
2. З'єднайте шланг пирососа з інструментом.

### ► Рис.27

3. Установіть перемикач режиму очікування на пилососі в положення «АВТО».

► **Рис.28:** 1. Перемикач режиму очікування

4. Натисніть і відпустіть кнопку бездротової активації на інструменті. Індикатор бездротової активації почне блимати синім кольором.

► **Рис.29:** 1. Кнопка бездротової активації  
2. Індикатор бездротової активації

5. Натисніть на курок вмикача інструмента. Перевірте, чи працює пилосос, коли натиснуто курок вмикача.

Щоб вимкнути бездротову активацію пилососа, натисніть кнопку бездротової активації на інструменті.

**ПРИМІТКА:** Індикатор бездротової активації на інструменті припинить блимати синім, якщо він не використовується протягом 2 годин. У цьому випадку встановіть перемикач режиму очікування на пилососі в положення «АВТО» та знову натисніть кнопку бездротової активації на інструменті.

**ПРИМІТКА:** Пилосос вмикається та зупиняється із затримкою. Існує затримка, коли пилосос визначає перемикач інструмента в робочий режим.






**ПРИМІТКА:** Дальність передачі бездротового модуля змінюється в залежності від місця розташування й навколишніх умов.

**ПРИМІТКА:** Якщо для одного пилососа зареєстровано два або більше інструментів, пилосос може почати працювати, навіть якщо не натиснуто курок вмикача, коли інший користувач застосує функцію бездротової активації.

## Опис стану індикатора бездротової активації

► **Рис.30:** 1. Індикатор бездротової активації

Індикатор бездротової активації відображає стан функції бездротової активації. Значення стану індикатора див. у таблиці нижче.

Стан	Індикатор бездротової активації			Тривалість	Опис
	Колір	 Увімк.	 Блимає		
Режим очікування	Синій			2 години	Доступна бездротова активація пилососа. Індикатор автоматично вимкнеться, якщо протягом 2 годин не буде виконуватися ніяка операція.
				Коли інструмент працює.	Доступна бездротова активація пилососа, інструмент працює.
Реєстрація інструмента	Зелений			20 секунд	Готовність до реєстрації інструмента. Очікування реєстрації пилососом.
				2 секунди	Реєстрація інструмента завершена. Індикатор бездротової активації починає блимати синім кольором.
Скасування реєстрації інструмента	Червоний			20 секунд	Готовність до скасування реєстрації інструмента. Очікування скасування пилососом.
				2 секунди	Скасування реєстрації інструмента завершено. Індикатор бездротової активації починає блимати синім кольором.
Інше	Червоний			3 секунди	На бездротовий модуль подається живлення, функція бездротової активації вмикається.
		Вимк.	—	—	Бездротова активація пилососа вимкнена.

## Скасування реєстрації інструмента для пилососа

Виконайте наступні дії, щоб скасувати реєстрацію інструмента для пилососа.

1. Уставте акумулятори в пилосос та інструмент.

2. Установіть перемикач режиму очікування на пилососі в положення «АВТО».

► **Рис.31:** 1. Перемикач режиму очікування

3. Натискайте кнопку бездротової активації на пилососі протягом 6 секунд. Індикатор бездротової активації почне блимати зеленим, а потім загориться червоним кольором. Після цього так само натисніть кнопку бездротової активації на інструменті.

► **Рис.32:** 1. Кнопка бездротової активації  
2. Індикатор бездротової активації

Якщо скасування виконано успішно, індикатори бездротової активації світитимуться червоним світлом протягом 2 секунд, а потім почнуть блимати синім кольором.

**ПРИМІТКА:** Індикатори бездротової активації припинять блимати червоним кольором за 20 секунд. Натисніть кнопку бездротової активації на інструменті, поки блимає індикатор бездротової активації на пилососі. Якщо індикатор бездротової активації не блимає червоним, короткочасно натисніть кнопку бездротової активації, а потім знову натисніть і втримуйте її.

## Усунення несправностей функції бездротової активації

Перш ніж звертатися з приводу ремонту інструмента, проведіть його перевірку самостійно. У разі виявлення несправності, яку не описано в цьому посібнику, не намагайтеся розібрати інструмент. Натомість зверніться до авторизованих сервісних центрів Makita та використовуйте для ремонту тільки запасні частини виробництва компанії Makita.

Стан відхилення від норми	Можлива причина (несправність)	Спосіб виправлення
Індикатор бездротової активації не світиться або не блимає.	Бездротовий модуль не встановлено в інструмент. Бездротовий модуль встановлено в інструмент неправильно.	Установіть бездротовий модуль.
	Контакти бездротового модуля або роз'єм забруднені.	Акуратно витріть пил і бруд на контактах бездротового модуля та очистіть роз'єм.
	Кнопку бездротової активації на інструменті не натиснуто.	Натисніть і відпустіть кнопку бездротової активації на інструменті.
	Перемикач режиму очікування на пилососі не встановлено в положення «AUTO».	Установіть перемикач режиму очікування на пилососі в положення «AUTO».
	Відсутнє живлення	Підключіть інструмент і пилосос до джерела живлення.
Неможливо успішно закінчити реєстрацію інструмента або скасувати реєстрацію інструмента.	Бездротовий модуль не встановлено в інструмент. Бездротовий модуль встановлено в інструмент неправильно.	Установіть бездротовий модуль.
	Контакти бездротового модуля або роз'єм забруднені.	Акуратно витріть пил і бруд на контактах бездротового модуля та очистіть роз'єм.
	Перемикач режиму очікування на пилососі не встановлено в положення «AUTO».	Установіть перемикач режиму очікування на пилососі в положення «AUTO».
	Відсутнє живлення	Підключіть інструмент і пилосос до джерела живлення.
	Неправильна операція	Натисніть і відпустіть кнопку бездротової активації, а потім знову виконайте процедуру реєстрації або скасування реєстрації.
	Інструмент і пилосос знаходяться далеко один від одного (за межами радіуса дії передавача).	Розташуйте інструмент і пилосос ближче один до одного. Максимальна відстань передачі складає близько 10 м, проте вона залежить від конкретних умов експлуатації.
	Перед закінченням реєстрації або скасування реєстрації інструмента: - натиснуто курок вмикача на інструменті або - натиснуто кнопку живлення на пилососі.	Натисніть і відпустіть кнопку бездротової активації, а потім знову виконайте процедуру реєстрації або скасування реєстрації.
	Процедура реєстрації для інструмента або пилососа не завершена.	Виконайте дії з реєстрації, які стосуються інструмента й пилососа, в один часовий проміжок.
Пилосос не вмикається під час роботи інструмента.	Бездротовий модуль не встановлено в інструмент. Бездротовий модуль встановлено в інструмент неправильно.	Установіть бездротовий модуль.
	Контакти бездротового модуля або роз'єм забруднені.	Акуратно витріть пил і бруд на контактах бездротового модуля та очистіть роз'єм.
	Кнопку бездротової активації на інструменті не натиснуто.	Натисніть і відпустіть кнопку бездротової активації та переконайтеся, що індикатор бездротової активації блимає синім кольором.
	Перемикач режиму очікування на пилососі не встановлено в положення «AUTO».	Установіть перемикач режиму очікування на пилососі в положення «AUTO».
	У пилососі зареєстровано понад 10 інструментів.	Виконайте реєстрацію інструмента ще раз. Якщо в пилососі зареєстровано понад 10 інструментів, дані про інструмент, який було зареєстровано найпершим, будуть автоматично вилучені.
	Пилосос вилучив дані про реєстрацію всіх інструментів.	Виконайте реєстрацію інструмента ще раз.
	Відсутнє живлення	Підключіть інструмент і пилосос до джерела живлення.
	Інструмент і пилосос знаходяться далеко один від одного (за межами радіуса дії передавача).	Розташуйте інструмент і пилосос ближче один до одного. Максимальна відстань передачі складає близько 10 м, проте вона залежить від конкретних умов експлуатації.
	Радіоперешкоди від інших приладів, які генерують радіохвилі високої потужності.	Тримайте інструмент і пилосос подальше від приладів, як-от пристроїв Wi-Fi і мікрохвильові печі.

Стан відхилення від норми	Можлива причина (несправність)	Спосіб виправлення
Пилосос працює, коли не натиснуто курок вмикача.	Інші користувачі застосовують функцію бездротової активації пилососа з їхніми інструментами.	Вимкніть за допомогою кнопки бездротову активацію інших інструментів або скауйте їх реєстрацію.

## ТЕХНІЧНЕ ОБСЛУГОВУВАННЯ

**⚠ ОБЕРЕЖНО:** Перед здійсненням перевірки або обслуговування завжди перевіряйте, щоб інструмент був вимкнений, а касета з акумулятором була знята.

**УВАГА:** Ніколи не використовуйте газолін, бензин, розріджувач, спирт та подібні речовини. Їх використання може призвести до зміни кольору, деформації або появи тріщин.

Для забезпечення БЕЗПЕКИ та НАДІЙНОСТІ продукції, її ремонт, а також роботи з обслуговування або регулювання повинні виконуватись уповноваженими або заводськими сервісними центрами Makita із використанням запчастин виробництва компанії Makita.

### Очищення вентиляційних отворів

Необхідно підтримувати чистоту інструмента та його вентиляційних отворів. Очищуйте вентиляційні отвори інструмента регулярно та щоразу, коли вони стають заблокованими.

► **Рис.33:** 1. Вихідні вентиляційні отвори 2. Вхідні вентиляційні отвори

**⚠ ОБЕРЕЖНО:** Очищайте вентиляційні отвори в разі засмічення їх пилом або іншими сторонніми речовинами. Продовження експлуатації із засміченими вентиляційними отворами може призвести до пожежі.

## ДОДАТКОВЕ ПРИЛАДДЯ

**⚠ ОБЕРЕЖНО:** Це додаткове та допоміжне обладнання рекомендовано використовувати з інструментом Makita, зазначеним у цій інструкції з експлуатації. Використання будь-якого іншого додаткового та допоміжного обладнання може становити небезпеку травмування. Використовуйте додаткове та допоміжне обладнання лише за призначенням.

У разі необхідності, отримати допомогу в більш детальному ознайомленні з оснащенням звертайтеся до місцевого Сервісного центру "Makita".

- Напрямний наконечник для різання штукатурки
- Універсальний наконечник
- Конус цанги
- Гайковий ключ
- Кругова напрямна

- Насадка для приєднання пилососа
- Гак
- Бездротовий модуль
- Оригінальний акумулятор та заряджаючий пристрій Makita

**ПРИМІТКА:** Деякі елементи списку можуть входити до комплекту інструмента як стандартне приладдя. Вони можуть відрізнятися залежно від країни.

## SPECIFICAȚII

<b>Model:</b>		<b>DCO181</b>
Capacitatea mandrinei cu con elastic		3,0 mm, 3,18 mm, 6,0 mm, 6,35 mm
Turație în gol		32.000 min <sup>-1</sup>
Lungime totală	cu BL1820B	293 mm
	cu BL1860B	311 mm
Tensiune nominală		18 V c.c.
Greutate netă		1,4 - 1,7 kg

- Datorită programului nostru continuu de cercetare și dezvoltare, specificațiile pot fi modificate fără o notificare prealabilă.
- Specificațiile și cartușul acumulatorului pot diferi de la țară la țară.
- Greutatea poate diferi în funcție de accesoriu(ii), inclusiv cartușul acumulatorului. În tabel se prezintă combinația cea mai ușoară și cea mai grea, conform Procedurii EPTA 01/2014.

## Cartușul acumulatorului și încărcătorul aplicabile

Cartușul acumulatorului	BL1815N / BL1820 / BL1820B / BL1830 / BL1830B / BL1840 / BL1840B / BL1850 / BL1850B / BL1860B
Încărcător	DC18RC / DC18RD / DC18RE / DC18SD / DC18SE / DC18SF / DC18SH

- Este posibil ca unele cartușe ale acumulatorilor și încărcătoare menționate mai sus să nu fie disponibile în funcție de regiunea dvs. de reședință.

**⚠️AVERTIZARE: Utilizați numai cartușele de acumulator și încărcătoarele enumerate mai sus.** Utilizarea oricărui altor cartușe de acumulator și încărcătoare poate duce la rănire și/sau incendiu.

## Destinația de utilizare

Mașina este destinată decupării plane și profilării lemnului, plasticului și materialelor similare.

## Zgomot

Nivelul de zgomot normal ponderat A determinat în conformitate cu EN62841-2-17:

Nivel de presiune acustică ( $L_{pA}$ ): 78 dB(A)

Marjă de eroare (K): 3 dB(A)

Nivelul de zgomot în timpul funcționării poate depăși 80 dB (A).

**NOTĂ:** Valoarea (valorile) totală(e) a (ale) emisiilor de zgomot declarate a(u) fost măsurată(e) în conformitate cu o metodă de test standard și poate (pot) fi utilizată(e) pentru compararea unei unelte cu alta.

**NOTĂ:** Valoarea (valorile) totală(e) a (ale) emisiilor de zgomot declarate poate (pot) fi, de asemenea, utilizată(e) într-o evaluare preliminară a expunerii.

**⚠️AVERTIZARE: Purtați echipament de protecție pentru urechi.**

**⚠️AVERTIZARE: Emisiile de zgomot în timpul utilizării efective a unelei electrice poate diferi de valoarea (valorile) nivelului declarat, în funcție de modul în care unealta este utilizată, în special ce fel de piesă este prelucrată.**

**⚠️AVERTIZARE: Asigurați-vă că identificați măsurile de siguranță pentru a proteja operatorul, acestea fiind bazate pe o estimare a expunerii în condiții reale de utilizare (luând în considerare toate părțile ciclului de operare, precum timpii în care unealta a fost oprită, sau a funcționat în gol, pe lângă timpul de declanșare).**

## Vibrații

Valoarea totală a vibrațiilor (suma vectorilor tri-axiali) determinată conform EN62841-2-17:

Mod de lucru: rotație fără sarcină

Emisie de vibrații ( $a_{h1}$ ): 2,5 m/s<sup>2</sup> sau mai puțin

Marjă de eroare (K): 1,5 m/s<sup>2</sup>

**NOTĂ:** Valoarea (valorile) totală(e) a (ale) nivelului de vibrații declarat a (au) fost măsurată(e) în conformitate cu o metodă de test standard și poate (pot) fi utilizată(e) pentru compararea unei unelte cu alta.

**NOTĂ:** Valoarea (valorile) totală(e) a (ale) nivelului de vibrații declarat poate (pot) fi, de asemenea, utilizată(e) într-o evaluare preliminară a expunerii.

**⚠️ AVERTIZARE:** Nivelul de vibrații în timpul utilizării efective a unelei electrice poate diferi de valoarea (valorile) nivelului declarat, în funcție de modul în care unealta este utilizată, în special ce fel de piesă este prelucrată.

**⚠️ AVERTIZARE:** Asigurați-vă că identificați măsurile de siguranță pentru a proteja operatorul, acestea fiind bazate pe o estimare a expunerii în condiții reale de utilizare (luând în considerare toate părțile ciclului de operare, precum timpii în care unealta a fost oprită, sau a funcționat în gol, pe lângă timpul de declanșare).

## Declarație de conformitate CE

### Numai pentru țările europene

Declarația de conformitate CE este inclusă ca Anexa A în acest manual de instrucțiuni.

## AVERTIZĂRI DE SIGURANȚĂ

### Avertismente generale de siguranță pentru mașinile electrice

**⚠️ AVERTIZARE:** Citiți toate avertismentele privind siguranța, instrucțiunile, ilustrațiile și specificațiile furnizate cu această sculă electrică. Nerespectarea integrală a instrucțiunilor de mai jos poate cauza electrocutări, incendii și/sau vătămări corporale grave.

### Păstrați toate avertismentele și instrucțiunile pentru consultări ulterioare.

Termenul „mașină electrică” din avertizări se referă la mașinile dumneavoastră electrice acționate de la rețea (prin cablu) sau cu acumulator (fără cablu).

### Avertismente privind siguranța pentru mașina de tăiere cu acumulator

1. **Țineți mașina electrică de suprafețele de prindere izolate atunci când efectuați o operațiune în care accesoriul de tăiere poate intra în contact cu fire ascunse.** Accesoriul de tăiere care intră în contact cu un fir aflat sub tensiune poate pune sub tensiune componentele metalice neizolate ale mașinii electrice și poate produce un șoc electric asupra operatorului.
2. **Folosiți bride sau altă metodă practică de a fixa și sprijini piesa de prelucrat pe o platformă stabilă.** Fixarea piesei cu mâna sau strângerea acesteia la corp nu prezintă stabilitate și poate conduce la pierderea controlului.
3. **Purtați ochelari de protecție și mască de protecție contra prafului.**

4. **Ventilați corespunzător spațiul de lucru.**
5. **Verificați atent scula cu privire la fisuri sau deteriorări înainte de folosire.** Înlocuiți imediat o sculă fisurată sau deteriorată.
6. **Verificați distanța corectă sub piesa de prelucrat înainte de tăiere, astfel încât scula să nu lovească o suprafață dură, cum ar fi podeaua, bancul de lucru etc.**
7. **Nu tăiați obiecte metalice cum ar fi cuie și șuruburi.** Inspectați piesa de prelucrat și eliminați toate cuiele, șuruburile și materialele străine din aceasta înainte de începerea lucrării.
8. **Asigurați-vă că scula nu intră în contact cu piesa de prelucrat înainte de a conecta comutatorul.** Țineți întotdeauna mașina cu ambele mâini în momentul pornirii. Cuplul motorului poate provoca rotirea mașinii.
9. **Înainte de utilizarea mașinii pe piesa propriu-zisă, lăsați-o să funcționeze în gol pentru un timp.** Încercați să identificați orice vibrație sau oscilație care ar putea indica o instalare inadecvată a sculei.
10. **Asigurați-vă că pârghia de blocare a axului este eliberată înainte de a conecta comutatorul.**
11. **Folosiți întotdeauna sabotul fixat ferm la mașină și poziționat plan și ferm pe piesa de prelucrat.**
12. **Țineți bine mașina.**
13. **Nu executați nicio operație folosindu-vă mâinile pentru a sprijini sau ghida piesa de prelucrat.**
14. **Țineți mâinile la distanță de piesele în mișcare.**
15. **Nu folosiți această mașină pentru găurire.**
16. **Nu lăsați mașina în funcțiune.** Folosiți mașina numai când o țineți cu mâinile.
17. **Opriti întotdeauna mașina și așteptați ca scula să se oprească complet înainte de a scoate scula din piesa prelucrată.**
18. **Nu atingeți scula sau piesa prelucrată imediat după executarea lucrării; acestea pot fi extrem de fierbinți și pot provoca arsuri ale pielii.**
19. **Vă atragem atenția asupra necesității de a utiliza freze cu un diametru corect al cozii și care sunt adecvate pentru viteza mașinii.**
20. **Așezați mașina pe o suprafață plană și stabilă.** În caz contrar, se pot produce accidente prin cădere, care pot cauza vătămări corporale.

## PĂSTRAȚI ACESTE INSTRUCȚIUNI.

**⚠️ AVERTIZARE:** NU permiteți comodității și familiarizării cu produsul (obținute prin utilizare repetată) să înlocuiască respectarea strictă a normelor de securitate pentru acest produs. FOLOSIREA INCORECTĂ sau nerespectarea normelor de securitate din acest manual de instrucțiuni poate provoca vătămări corporale grave.

## Instrucțiuni importante privind siguranța pentru cartușul acumulatorului

1. Înainte de a folosi cartușul acumulatorului, citiți toate instrucțiunile și atenționările de pe (1) încărcătorul acumulatorului, (2) acumulator și (3) produsul care folosește acumulatorul.
2. Nu dezamblați și nu interveniți asupra cartușului acumulatorului. Acest lucru poate cauza incendii, căldură excesivă sau explozii.
3. Dacă timpul de funcționare s-a redus excesiv, întrerupeți imediat funcționarea. Aceasta poate prezenta risc de supraîncălzire, posibile arsuri și chiar explozie.
4. Dacă electrolitul pătrunde în ochi, clătiți bine ochii cu apă curată și consultați imediat un medic. Există risc de orbire.
5. Nu scurtcircuitați cartușul acumulatorului:
  - (1) Nu atingeți bornele cu niciun material conductor.
  - (2) Evitați depozitarea cartușului acumulatorului la un loc cu alte obiecte metalice cum ar fi cuie, monede etc.
  - (3) Nu expuneți cartușul acumulatorului la apă sau ploaie.

Un scurtcircuit al acumulatorului poate provoca un flux puternic de curent electric, supraîncălzire, posibile arsuri și chiar defectarea mașinii.

6. Nu depozitați și nu utilizați mașina și cartușul acumulatorului în locuri în care temperatura poate atinge sau depăși 50 °C (122 °F).
7. Nu incinerați cartușul acumulatorului chiar dacă acesta este grav deteriorat sau complet uzat. Cartușul acumulatorului poate exploda în foc.
8. Nu introduceți cuie în cartușul acumulatorului, nu îl tăiați, striviți, aruncați sau scăpați și nu îl loviți cu un obiect dur. Astfel de acțiuni pot provoca incendii, căldură excesivă sau explozii.
9. Nu utilizați un acumulator deteriorat.
10. Acumulatorii Li-Ion încorporează se supun cerințelor Legislației privind substanțele periculoase. Pentru transporturi comerciale, efectuate de exemplu de către părți terțe, expeditori, trebuie respectate cerințele speciale de ambalare și etichetare. Pentru pregătirea articolului care urmează să fie expediat, este necesară consultarea unui expert în materiale periculoase. Vă rugăm să respectați, de asemenea, reglementările naționale, care pot fi mai detaliate. Izolați sau acoperiți contactele deschise și împachetați acumulatorul în așa fel încât să nu se poată mișca în ambalaj.
11. Atunci când eliminați la deșeurii cartușul acumulatorului, scoateți-l din mașină și eliminați-l într-un loc sigur. Respectați normele naționale privind eliminarea la deșeurii a acumulatorului.
12. Utilizați acumulatorii numai cu produsele specificate de Makita. Instalarea acumulatorilor în produse neconforme poate cauza incendii, căldură excesivă, explozii sau scurgeri de electrolit.
13. Dacă mașina nu este utilizată o perioadă lungă de timp, acumulatorul trebuie scos din acesta.

14. În timpul utilizării și după aceea, cartușul acumulatorului se poate încălzi, ceea ce poate cauza arsuri sau arsuri la temperaturi scăzute. Fiți atenți la manipularea cartușelor de acumulator atunci când sunt fierbinți.
15. Nu atingeți borna mașinii imediat după utilizare, întrucât se poate încălzi foarte tare și poate provoca arsuri.
16. Nu lăsați să pătrundă așchii, praf sau pământ în borne, în orificii și în canelurile cartușului acumulatorului. Acest lucru poate duce la o performanță slabă sau poate cauza defectarea mașinii sau a cartușului acumulatorului.
17. Nu utilizați cartușul acumulatorului în apropierea liniilor electrice de înaltă tensiune, cu excepția cazului în care mașina suportă utilizarea în apropierea liniilor electrice de înaltă tensiune. Acest lucru poate duce la funcționarea necorespunzătoare sau la defectarea mașinii sau a cartușului acumulatorului.
18. Țineți acumulatorul la distanță de copii.

## PĂSTRAȚI ACESTE INSTRUCȚIUNI.

**⚠ATENȚIE:** Folosiți numai acumulatori Makita originali. Acumulatorii Makita care nu sunt originali și acumulatorii care au suferit modificări se pot aprinde, provocând incendii, leziuni corporale și daune. De asemenea, anulează garanția oferită de Makita pentru unele și încărcătorul Makita.

## Sfaturi pentru obținerea unei durate maxime de exploatare a acumulatorului

1. Încărcați cartușul acumulatorului înainte de a se descărca complet. Întrerupeți întotdeauna funcționarea mașinii și încărcați cartușul acumulatorului când observați o scădere a puterii mașinii.
2. Nu reîncărcați niciodată un acumulator complet încărcat. Supraîncărcarea va scurta durata de exploatare a acumulatorului.
3. Încărcați cartușul acumulatorului la temperatura camerei, între 10 °C - 40 °C (50 °F - 104 °F). Lăsați un acumulator fierbinte să se răcească înainte de a-l încărca.
4. Atunci când nu utilizați cartușul acumulatorului, scoateți-l din mașină sau din încărcător.
5. Încărcați cartușul acumulatorului în cazul în care nu a fost utilizat pe o perioadă mai lungă (mai mult de șase luni).

## Instrucțiuni importante privind siguranța pentru unitatea wireless

1. Nu dezamblați sau interveniți asupra unității wireless.
2. Țineți unitatea wireless la distanță de copii mici. Dacă este înghițită accidental, consultați imediat un medic.
3. Utilizați unitatea wireless numai cu mașini Makita.

4. Nu expuneți unitatea wireless la ploaie sau la condiții de umiditate.
5. Nu utilizați unitatea wireless în locuri unde temperatura depășește 50 °C.
6. Nu operați unitatea wireless în apropierea unor instrumente medicale, precum stimulatorul cardiac.
7. Nu operați unitatea wireless în apropierea unor dispozitive automate. Dacă sunt operate, dispozitivele automate pot dezvolta funcționări defectuoase sau erori.
8. Nu operați unitatea wireless în locuri cu temperaturi ridicate sau în locuri în care s-ar putea genera electricitate statică sau zgomot electric.
9. Unitatea wireless poate produce câmpuri electromagnetice (CEM), însă acestea nu sunt dăunătoare pentru utilizator.
10. Unitatea wireless este un instrument de precizie. Aveți grijă să nu scăpați sau să loviți unitatea wireless.
11. Evitați să atingeți borna unității wireless cu mâinile neacoperite sau cu materiale metalice.
12. Scoateți întotdeauna acumulatorul din produs atunci când instalați unitatea wireless în acesta.
13. Atunci când deschideți clapeta de închidere a fantei, evitați locurile unde praful sau apa poate pătrunde în fantă. Mențineți întotdeauna curat orificiul de admisie al fantei.
14. Introduceți întotdeauna unitatea wireless în direcția corectă.
15. Nu apăsați cu forță excesivă butonul de activare wireless de pe unitatea wireless și/sau nu apăsați butonul cu un obiect cu o margine ascuțită.
16. Închideți întotdeauna clapeta de închidere a fantei atunci când lucrați.
17. Nu scoateți unitatea wireless din fantă în timp ce mașina este alimentată cu energie. În caz contrar, unitatea wireless poate funcționa defectuos.
18. Nu îndepărtați autocolantul de pe unitatea wireless.
19. Nu aplicați niciun autocolant pe unitatea wireless.
20. Nu lăsați unitatea wireless într-un loc unde s-ar putea genera electricitate statică sau zgomot electric.
21. Nu lăsați unitatea wireless într-un loc supus temperaturilor ridicate, cum ar fi o mașină parcată în soare.
22. Nu lăsați unitatea wireless într-un loc în care se produce praf sau pulbere sau într-un loc unde s-ar putea genera gaze corozive.
23. Schimbarea bruscă de temperatură poate duce la înrouarea unității wireless. Nu utilizați unitatea wireless înainte ca picăturile de rouă să se fi uscat complet.
24. Atunci când curățați unitatea wireless, ștergeți delicat cu o lavetă moale și uscată. Nu utilizați benzină, diluant, vasilină conductivă sau alt produs similar.
25. Atunci când depozitați unitatea wireless, păstrați-o în cutia furnizată sau într-un recipient fără electricitate statică.
26. Nu introduceți în fantă de pe mașină alte dispozitive în afară de unitatea wireless Makita.
27. Nu utilizați mașina dacă clapeta de închidere a fantei este deteriorată. Apa, praful și murdăria care pătrund în fantă pot provoca defectarea.
28. Nu trageți și/sau răsuciți clapeta de închidere mai mult decât este necesar. Puneți la loc clapeta de închidere dacă se desprinde de pe mașină.
29. Înlocuiți clapeta de închidere a fantei dacă se pierde sau dacă este deteriorată.

## PĂSTRAȚI ACESTE INSTRUCȚIUNI.

### DESCRIEREA FUNCȚIILOR

**⚠ATENȚIE:** Asigurați-vă întotdeauna că mașina este oprită și cartușul acumulatorului este scos înainte de a ajusta sau verifica funcționarea mașinii.

### Instalarea sau scoaterea cartușului acumulatorului

**⚠ATENȚIE:** Opriti întotdeauna mașina înainte de montarea sau demontarea cartușului de acumulator.

**⚠ATENȚIE:** Țineți ferm mașina și cartușul acumulatorului la montarea sau demontarea cartușului. În cazul în care nu țineți ferm mașina și cartușul de acumulator, acestea vă pot aluneca din mâini, rezultând defectarea mașinii și cartușului de acumulator, precum și în accidentări personale.

► Fig. 1: 1. Indicator roșu 2. Buton 3. Cartușul acumulatorului

Pentru a scoate cartușul acumulatorului, glisați-l din mașină în timp ce glisați butonul de pe partea frontală a cartușului.

Pentru a instala cartușul acumulatorului, aliniați limba de pe cartușul acumulatorului cu canelura din carcasă și introduceți-l în locaș. Introduceți-l complet, până când se înclichetează în locaș. Dacă puteți vedea indicatorul roșu din partea superioară a butonului, acesta nu este blocat complet.

**⚠ATENȚIE:** Instalați întotdeauna cartușul acumulatorului complet, până când indicatorul roșu nu mai este vizibil. În caz contrar, acesta poate cădea accidental din mașină provocând rănirea dumneavoastră sau a persoanelor din jur.

**⚠ATENȚIE:** Nu forțați cartușul acumulatorului la montare. Dacă acesta nu glisează ușor, înseamnă că a fost introdus încorect.



## Indicarea capacității rămase a acumulatorului

**Numai pentru cartușe de acumulator cu indicator**

► **Fig.2:** 1. Lămpi indicatoare 2. Buton de verificare

Apăsați butonul de verificare de pe cartușul acumulatorului, astfel încât să se indice capacitățile rămase ale acumulatorului. Lămpile indicatorului vor lumina timp de câteva secunde.

Lămpi indicatoare			Capacitate rămasă
Iluminat	Oprit	Iluminare intermitentă	
■ ■ ■ ■			între 75% și 100%
■ ■ ■ □			între 50% și 75%
■ ■ □ □			între 25% și 50%
■ □ □ □			între 0% și 25%
▣ □ □ □			Încărcați acumulatorul.
■ ■ □ □			Este posibil ca acumulatorul să fie defect.
□ □ ■ ■	↑ ↓		

**NOTĂ:** În funcție de condițiile de utilizare și temperatura ambientală, indicația poate fi ușor diferită de capacitatea reală.

**NOTĂ:** Prima lampă indicatoare (extremitatea stângă) va lumina intermitent când sistemul de protecție a acumulatorului funcționează.

## Sistem de protecție mașină/acumulator

Mașina este prevăzută cu un sistem de protecție mașină/acumulator. Acest sistem întrerupe automat alimentarea motorului pentru a extinde durata de funcționare a mașinii și acumulatorului. Mașina se va opri automat în timpul funcționării dacă mașina sau acumulatorul se află într-una din situațiile următoare:

### Protecție la suprasarcină

Când mașina sau acumulatorul este utilizată/utilizat într-un mod care duce la un consum exagerat de curent, mașina se va opri automat, fără nicio indicație. În această situație, opriți mașina și întrerupeți aplicația care a dus la suprasolicitearea mașinii. Apoi, reporniți mașina.

### Protecție la supraîncălzire

În momentul în care mașina sau bateria se supraîncălzeste, mașina se oprește automat și lampa luminează intermitent. În acest caz, lăsați mașina și acumulatorul să se răcească înainte de a reporni mașina.

### Protecție la supradescărcare

Când capacitatea acumulatorului scade, unealta se oprește automat. În acest caz, scoateți acumulatorul din mașină și încărcați-l.

## Aționarea întrerupătorului

**ATENȚIE:** Înainte de a monta cartușul acumulatorului în mașină, verificați întotdeauna mișcarea corectă a comutatorului glisant și revenirea acestuia în poziția „OFF” (oprit) atunci când se apasă partea din spate a comutatorului glisant.

► **Fig.3:** 1. Comutator glisant

Pentru a porni mașina, deplasați comutatorul glisant către poziția "I (ON)" (pornit). Pentru operare continuă, apăsați partea frontală a comutatorului glisant pentru a-l bloca.

Pentru a opri mașina, apăsați partea din spate a comutatorului glisant, apoi glisați-l către poziția "O (OFF)" (oprit).

## Aprinderea lămpii frontale

► **Fig.4:** 1. Lampă

**ATENȚIE:** Nu priviți direct în raza sau în sursa de lumină.

Porniți comutatorul pentru a aprinde lampa. Lampa continuă să lumineze în timp ce comutatorul este pornit. Lampa se stinge la aproximativ 10 secunde de la oprirea comutatorului.

**NOTĂ:** Folosiți o lavetă uscată pentru a șterge murdăria de pe lentila lămpii. Aveți grijă să nu zgâriați lentila lămpii deoarece, în caz contrar, iluminarea va fi redusă.

**NOTĂ:** Când mașina este supraîncălzită, lampa iluminează intermitent timp de un minut. În acest caz, așteptați ca mașina să se răcească înainte de altă utilizare.

## Funcție de prevenire a repornirii accidentale

Chiar dacă se instalează cartușul acumulatorului în mașină cu comutatorul glisant aflat în poziția "I (ON)" (pornit), mașina nu pornește.

Pentru a porni mașina, deplasați întâi comutatorul glisant către poziția "O (OFF)" (oprit) și apoi către poziția "I (ON)" (pornit).

## Funcție electronică

Mașina este echipată cu funcții electronice pentru operare facilă.

- Pornire lină  
Funcția de pornire lină minimizează șocul de pornire și permite o pornire lină a mașinii.

## ASAMBLARE

**ATENȚIE:** Asigurați-vă întotdeauna că mașina este oprită și cartușul acumulatorului este scos înainte de a executa orice lucrări la mașină.

## Instalarea sau scoaterea sculei

**NOTĂ:** Nu strângeți piulița de strângere fără instalarea unui burghiu, în caz contrar conul elastic se poate rupe.

► **Fig.5:** 1. Piuliță de strângere 2. Sabot 3. Pârghie de blocare a axului 4. Strângere 5. Deșurubați

Apăsați pârghia de blocare a axului pentru a preveni rotirea axului atunci când montați sau demontați burghiul. Pentru a monta burghiul, introduceți-l până la capăt în conul elastic de strângere și apoi strângeți ferm conul elastic de strângere cu cheia sau cu sabotul sub formă de cheie. Pentru a demonta scula, executați în ordine inversă operațiile de montare.

## Schimbarea conului elastic de strângere

### Diferă în funcție de țară

**NOTĂ:** Folosiți un con elastic de strângere de dimensiuni adecvate pentru burghiul pe care intenționați să-l utilizați.

**NOTĂ:** Nu strângeți piulița de strângere fără instalarea unui burghiu, în caz contrar conul elastic se poate rupe.

► **Fig.6:** 1. Con elastic de strângere 2. Cap de înșurubat 3. Piuliță de strângere

Pentru a schimba conul elastic de strângere, slăbiți piulița de strângere și scoateți-l. Înlocuiți conul elastic de strângere montat cu conul elastic de strângere dorit. Remontați piulița de strângere.

## Instalarea sabotului

Pentru instalarea sabotului, slăbiți mai întâi șurubul fluture. Atașați sabotul la mașină și apoi fixați-l bine cu șurubul fluture.

► **Fig.7:** 1. Sabot 2. Șurub fluture

## Cârlig

**ATENȚIE:** Nu agățați niciodată mașina în locații înalte sau pe suprafețe potențial instabile.

► **Fig.8:** 1. Canelură 2. Cârlig 3. Șurub

Cârligul este util pentru suspendarea temporară a mașinii.

Pentru a monta cârligul, introduceți-l într-o canelură din carcasa mașinii și apoi fixați-l cu un șurub. Pentru demontare, slăbiți șurubul și apoi scoateți-l.

## Orificiu pentru centură

Orificiul pentru centură este furnizat pentru suspendarea mașinii pe perete cu ajutorul unei centuri.

► **Fig.9:** 1. Orificiu pentru centură

**AVERTIZARE:** Nu utilizați orificiul pentru centură în niciun alt scop în afară de suspendarea mașinii pe perete. În caz contrar, se pot produce vătămări grave, deoarece orificiul pentru centură este destinat exclusiv pentru suspendarea mașinii pe perete.

## FUNȚIONARE

**ATENȚIE:** Evitați forțarea sculei la încovoiere sau torsiune. Aceasta se poate rupe.

**ATENȚIE:** Înainte de a porni mașina, asigurați-vă că scula și piulița de strângere sunt strânse ferm.

**ATENȚIE:** Utilizați întotdeauna mașina cu o talpă atașată, precum sabotul sau capacul de aspirare.

Țineți mașina bine, cu burghiul orientat într-o direcție sigură și asigurați-vă că nu intră în contact cu nicio suprafață. Porniți mașina și așteptați ca aceasta să atingă viteza maximă.

► **Fig.10**

Atunci când folosiți burghiul de ghidare pentru plăci de gips-carton pentru a efectua o gaură într-o placă de gips carton, introduceți cu atenție burghiul drept înainte până când talpa sabotului intră complet în contact cu materialul. Mișcați mașina încet, aplicând o presiune constantă în direcția acelor de ceasornic pentru a efectua o tăiere.

► **Fig.11:** 1. Placa de ghidare

Când tăiați în linie dreaptă, prindeți ferm o placă de ghidare de material și utilizați-o ca ghidaj. Mișcați mașina în direcția săgeții, menținând talpa sabotului la același nivel cu partea laterală a plăcii de ghidare.

După ce ați terminat tăierea, opriți mașina și așteptați oprirea rotirii burghiului, apoi scoateți-l cu grijă din material.

**NOTĂ:** Nu aplicați forță excesivă asupra burghiului atunci când îl scoateți din material. În caz contrar, burghiul se poate toci sau se poate rupe, iar mașina se poate defecta.

**NOTĂ:** Când tăiați plăci de gips-carton în jurul tabloului electric, tăiați în direcția inversă a acelor de ceasornic pentru o tăiere mai ușoară.

**NOTĂ:** Burghiul standard furnizat cu această mașină este destinat exclusiv tăierii plăcilor de gips-carton. Când tăiați alte materiale în afară de plăci de gips-carton, nu utilizați burghiul de ghidare standard pentru plăci de gips-carton.

## Capac de aspirare

Pentru a efectua operații mai curate, utilizați capacul de aspirare și atașați mașina la un aspirator Makita.

► **Fig.12:** 1. Mașină 2. Capac de aspirare 3. Furtun 4. Aspirator

Slăbiți șurubul cu cap striat și îndepărtați sabotul. Atașați capacul de aspirare și strângeți-l ferm cu șurubul cu cap striat.

► **Fig.13:** 1. Șurub fluture 2. Capac de aspirare

**NOTĂ:** Ghidajul circular (accesoriu opțional) poate fi instalat pe capacul de aspirare.

## Utilizarea burghiului universal

### Accesoriu opțional

La utilizarea burghiului universal în material, țineți mașina la un unghi de aproximativ 45 de grade cu marginea tălpii sabotului care intră în contact cu materialul.

► **Fig.14**

Aduceți cu atenție mașina într-o poziție dreaptă astfel încât talpa sabotului să intre în contact complet cu materialul.

► **Fig.15**

## Ghidaj circular

### Accesorii opționale

Diametre de tăiere circulară: 10 cm - 34 cm

## Instalarea ghidajului circular

Scoateți șurubul fluture care fixează sabotul.

► **Fig.16:** 1. Șurub fluture 2. Sabot

Aliniați proiecțiile în ghidajul circular cu canelurile în sabot și fixați sabotul și ghidajul circular cu șurubul cu cap striat.

► **Fig.17:** 1. Proeminențe 2. Sabot

Pentru reglarea adâncimii de tăiere, slăbiți șurubul fluture și apoi glesați sabotul cu ghidajul circular. După reglare, strângeți ferm șurubul fluture.

► **Fig.18:** 1. Șurub fluture 2. Ghidaj circular 3. Sabot  
4. Deșurubați 5. Strângere

## Utilizarea ghidajului circular

Slăbiți butonul rotativ și reglați-i poziția în funcție de dimensiunea cercului de tăiat. (Ca orientare generală, raza orificiilor de tăiat este indicată pe partea laterală a ghidajului circular.) După efectuarea reglării, strângeți ferm butonul rotativ.

► **Fig.19:** 1. Buton rotativ 2. Strângere 3. Deșurubați

Poziționați vârful butonului rotativ în centrul cercului de tăiat și efectuați tăierea în direcția acelor de ceasornic.

► **Fig.20:** 1. Buton rotativ

## FUNCȚIA DE ACTIVARE WIRELESS

### Ce puteți face cu funcția de activare wireless

Funcția de activare wireless face posibilă o utilizare curată și confortabilă. Conectând un aspirator acceptat la mașină, puteți rula automat aspiratorul, împreună cu operația de comutare a mașinii.

► **Fig.21**

Pentru a utiliza funcția de activare wireless, pregătiți următoarele elemente:

- O unitate wireless (accesoriu opțional)
- Un aspirator care acceptă funcția de activare wireless

Prezentarea generală a setării funcției de activare wireless este după cum urmează. Consultați fiecare secțiune pentru proceduri detaliate.

1. Instalarea unității wireless
2. Înregistrarea mașinii pentru aspirator
3. Pornirea funcției de activare wireless

## Instalarea unității wireless

### Accesorii opționale

**ATENȚIE:** Așezați mașina pe o suprafață plană și stabilă atunci când instalați unitatea wireless.

**NOTĂ:** Curățați praful și murdăria de pe mașină înainte de a instala unitatea wireless. Praful sau murdăria poate cauza funcționarea defectuoasă dacă pătrunde în fanta unității wireless.

**NOTĂ:** Pentru a preveni funcționarea defectuoasă cauzată de energia statică, atingeți un material de descărcare statică, precum o parte din metal a mașinii, înainte de a ridica unitatea wireless.

**NOTĂ:** Atunci când instalați unitatea wireless, asigurați-vă întotdeauna de introducerea unității wireless în direcția corectă și de închiderea completă a clapetei de închidere.

1. Deschideți clapeta de închidere de pe mașină după cum se vede în figură.

► **Fig.22:** 1. Clapetă de închidere

2. Introduceți unitatea wireless în fantă și apoi închideți clapeta de închidere.

Atunci când introduceți unitatea wireless, aliniați proeminențele cu porțiunile înfundate de pe fantă.

► **Fig.23:** 1. Unitate wireless 2. Proeminență  
3. Clapetă de închidere 4. Porțiune înfundată

Atunci când scoateți unitatea wireless, deschideți lent clapeta de închidere. Cârligele de pe partea din spate a clapetei de închidere ridică unitatea wireless pe măsură ce trageți în sus clapeta de închidere.

► **Fig.24:** 1. Unitate wireless 2. Cârlig 3. Clapetă de închidere

După ce scoateți unitatea wireless, păstrați-o în cutia furnizată sau într-un recipient fără electricitate statică.

**NOTĂ:** Utilizați întotdeauna cârligele de pe partea din spate a clapetei de închidere atunci când scoateți unitatea wireless. În cazul în care cârligele nu prind unitatea wireless, închideți complet clapeta de închidere și deschideți-o din nou lent.

## Înregistrarea mașinii pentru aspirator

**NOTĂ:** Pentru înregistrarea mașinii este necesar un aspirator Makita care acceptă funcția de activare wireless.

**NOTĂ:** Finalizați instalarea unității wireless la mașină înainte de a începe înregistrarea mașinii.

**NOTĂ:** În timpul înregistrării mașinii, nu trageți butonul declanșator și nu porniți întrerupătorul de pornire/oprire de pe aspirator.

**NOTĂ:** Consultați de asemenea manualul de instrucțiuni al aspiratorului.

Dacă doriți să activați aspiratorul odată cu operația de comutare a mașinii, finalizați mai întâi înregistrarea mașinii.

1. Instalați acumulatorii la aspirator și la mașină.
  2. Setați comutatorul de stare de așteptare de pe aspirator pe „AUTO”.
- **Fig.25:** 1. Comutator de stare de așteptare
3. Apăsați butonul de activare wireless de pe aspirator timp de 3 secunde până când lampa de activare wireless luminează intermitent cu verde. Apoi, apăsați butonul de activare wireless de pe mașină în același mod.
- **Fig.26:** 1. Buton de activare wireless 2. Lampă de activare wireless

Dacă aspiratorul și mașina sunt conectate cu succes, lămpile de activare wireless se vor aprinde cu verde timp de 2 secunde și vor începe să lumineze intermitent cu albastru.

**NOTĂ:** Lămpile de activare wireless încetează să lumineze intermitent cu verde după scurgerea a 20 de secunde. Apăsați butonul de activare wireless de pe mașină în timp ce lampa de activare wireless de pe aparatul de curățat luminează intermitent. Dacă lampa de activare wireless nu luminează intermitent cu verde, apăsați scurt butonul de activare wireless și țineți-l din nou apăsat.

**NOTĂ:** Atunci când efectuați două sau mai multe înregistrări ale mașinii pentru un aspirator, finalizați pe rând fiecare înregistrare.

## Pornirea funcției de activare wireless

**NOTĂ:** Finalizați înregistrarea mașinii pentru aspirator înainte de activarea wireless.

**NOTĂ:** Consultați de asemenea manualul de instrucțiuni al aspiratorului.

După înregistrarea unei mașini la aspirator, aspiratorul va rula automat, împreună cu operația de comutare a mașinii.

1. Instalați unitatea wireless la mașină.
  2. Conectați furtunul aspiratorului cu mașina.
- **Fig.27**
3. Setați comutatorul de stare de așteptare de pe aspirator pe „AUTO”.
- **Fig.28:** 1. Comutator de stare de așteptare
4. Apăsați scurt butonul de activare wireless de pe mașină. Lampa de activare wireless va lumina intermitent cu albastru.
- **Fig.29:** 1. Buton de activare wireless 2. Lampă de activare wireless
5. Trageți butonul declanșator al mașinii. Verificați dacă aspiratorul funcționează în timp ce se trage butonul declanșator.

Pentru a opri activarea wireless a aspiratorului, apăsați butonul de activare wireless de pe mașină.

**NOTĂ:** Lampa de activare wireless de pe mașină va înceta să lumineze intermitent cu albastru atunci când nu există funcționare timp de 2 ore. În acest caz, setați comutatorul de stare de așteptare de pe aspirator pe „AUTO” și apăsați din nou buton de activare wireless.

**NOTĂ:** Aspiratorul pornește/se oprește cu o amănare. Există o întârziere atunci când aspiratorul detectează o operație de comutare a mașinii.

















**NOTĂ:** Distanța de transmisie a unității wireless poate varia în funcție de locație și circumstanțele aferente.

**NOTĂ:** Atunci când două sau mai multe mașini sunt înregistrate la un aspirator, aspiratorul poate începe să ruleze chiar dacă nu trageți butonul declanșator, deoarece un alt utilizator folosește funcția de activare wireless.

## Descrierea stării lămpii de activare wireless

### ► Fig.30: 1. Lampă de activare wireless

Lampa de activare wireless indică starea funcției de activare wireless. Consultați tabelul de mai jos pentru semnificația stării lămpii.

Stare	Lampă de activare wireless			Durată	Descriere
	Culoare	 Pornit	 Iluminare intermitentă		
Standby	Albastru			2 ore	Activarea wireless a aspiratorului este disponibilă. Lampa se va stinge automat atunci când nu are loc nicio operație timp de 2 ore.
				Atunci când mașina este în funcțiune.	Activarea wireless a aspiratorului este disponibilă și mașina este în funcțiune.
Înregistrarea mașinii	Verde			20 secunde	Gata pentru înregistrarea mașinii. Se așteaptă înregistrarea de către aspirator.
				2 secunde	Înregistrarea mașinii a fost finalizată. Lampa de activare wireless va începe să lumineze intermitent cu albastru.
Anularea înregistrării mașinii	Roșu			20 secunde	Gata pentru anularea înregistrării mașinii. Se așteaptă anularea de către aspirator.
				2 secunde	Anularea înregistrării mașinii a fost finalizată. Lampa de activare wireless va începe să lumineze intermitent cu albastru.
Altele	Roșu			3 secunde	Unitatea wireless este alimentată cu energie și se lansează funcția de activare wireless.
	Oprit	-	-	-	Activarea wireless a aspiratorului este oprită.

## Anularea înregistrării mașinii pentru aspirator

Efectuați următoarea procedură atunci când anulați înregistrarea mașinii pentru aspirator.

1. Instalați acumulatorii la aspirator și la mașină.
2. Setează comutatorul de stare de așteptare de pe aspirator pe „AUTO”.

### ► Fig.31: 1. Comutator de stare de așteptare

3. Apăsăți butonul de activare wireless de pe aspirator timp de 6 secunde. Lampă de activare wireless luminează intermitent cu verde și apoi devine roșie. După aceasta, apăsați butonul de activare wireless de pe mașină în același mod.

### ► Fig.32: 1. Buton de activare wireless 2. Lampă de activare wireless

Dacă anularea este efectuată cu succes, lămpile de activare wireless se vor aprinde cu roșu timp de 2 secunde și vor începe să lumineze intermitent cu albastru.

**NOTĂ:** Lămpile de activare wireless încetează să lumineze intermitent cu roșu după scurgerea a 20 de secunde. Apăsăți butonul de activare wireless de pe mașină în timp ce lampa de activare wireless de pe aparatul de curățat luminează intermitent. Dacă lampa de activare wireless nu luminează intermitent cu roșu, apăsați scurt butonul de activare wireless și țineți-l din nou apăsat.

## Depanarea funcției de activare wireless

Înainte de a solicita reparații, efectuați mai întâi propria inspecție. În cazul în care găsiți o problemă care nu este explicată în manual, nu încercați să demontați echipamentul. În schimb, adresați-vă Centrelor de service autorizate Makita, utilizând întotdeauna piese de schimb Makita pentru reparații.

Stare de anormalitate	Cauză probabilă (defecțiune)	Remediu
Lampa de activare wireless nu se aprinde/nu luminează intermitent.	Unitatea wireless nu este instalată în mașină. Unitatea wireless este instalată necorespunzător în mașină.	Instalați corect unitatea wireless.
	Borna unității wireless și/sau fanta este murdară.	Ștergeți delicat praful și murdăria de pe borna unității wireless și curățați fanta.
	Butonul de activare wireless de pe mașină nu a fost apăsat.	Apăsați scurt butonul de activare wireless de pe mașină.
	Comutatorul de stare de așteptare de pe aspirator nu este setat pe „AUTO”.	Setați comutatorul de stare de așteptare de pe aspirator pe „AUTO”.
	Nicio sursă de alimentare	Alimentați cu energie mașina și aspiratorul.
Înregistrarea mașinii/anularea înregistrării mașinii nu poate fi finalizată cu succes.	Unitatea wireless nu este instalată în mașină. Unitatea wireless este instalată necorespunzător în mașină.	Instalați corect unitatea wireless.
	Borna unității wireless și/sau fanta este murdară.	Ștergeți delicat praful și murdăria de pe borna unității wireless și curățați fanta.
	Comutatorul de stare de așteptare de pe aspirator nu este setat pe „AUTO”.	Setați comutatorul de stare de așteptare de pe aspirator pe „AUTO”.
	Nicio sursă de alimentare	Alimentați cu energie mașina și aspiratorul.
	Funcționare incorectă	Apăsați scurt butonul de activare wireless și efectuați din nou procedurile de înregistrare/anulare.
	Mașina și aspiratorul se află la distanță unul de celălalt (în afara ariei de transmisie).	Aduceți mașina și aspiratorul mai aproape unul de celălalt. Distanța maximă de transmisie este de aproximativ 10 m, însă aceasta poate varia în funcție de circumstanțe.
	Înainte de a finaliza înregistrarea mașinii/anularea - butonul declanșator de pe mașină este tras sau - butonul de pornire de pe aspirator este activat.	Apăsați scurt butonul de activare wireless și efectuați din nou procedurile de înregistrare/anulare.
	Procedurile de înregistrare a mașinii pentru mașină sau aspirator nu au fost finalizate.	Efectuați procedurile de înregistrare a mașinii atât pentru mașină, cât și aspirator, în același timp.
	Perturbații radioelectrice de la alte aparate care generează unde radio de mare intensitate.	Țineți mașina și aspiratorul la distanță de aparate precum dispozitive Wi-Fi și cuptoare cu microunde.
Aspiratorul nu funcționează odată cu operația de comutare a mașinii.	Unitatea wireless nu este instalată în mașină. Unitatea wireless este instalată necorespunzător în mașină.	Instalați corect unitatea wireless.
	Borna unității wireless și/sau fanta este murdară.	Ștergeți delicat praful și murdăria de pe borna unității wireless și curățați fanta.
	Butonul de activare wireless de pe mașină nu a fost apăsat.	Apăsați scurt butonul de activare wireless și asigurați-vă că lampa de activare wireless luminează intermitent cu albastru.
	Comutatorul de stare de așteptare de pe aspirator nu este setat pe „AUTO”.	Setați comutatorul de stare de așteptare de pe aspirator pe „AUTO”.
	La aspirator sunt înregistrate mai mult de 10 mașini.	Efectuați din nou înregistrarea mașinii. Dacă la aspirator sunt înregistrate mai mult de 10 mașini, mașina înregistrată prima va fi anulată automat.
	Aspiratorul a șters toate înregistrările mașinii.	Efectuați din nou înregistrarea mașinii.
	Nicio sursă de alimentare	Alimentați cu energie mașina și aspiratorul.
	Mașina și aspiratorul se află la distanță unul de celălalt (în afara ariei de transmisie).	Aduceți mașina și aspiratorul mai aproape unul de celălalt. Distanța maximă de transmisie este de aproximativ 10 m, însă aceasta poate varia în funcție de circumstanțe.
	Perturbații radioelectrice de la alte aparate care generează unde radio de mare intensitate.	Țineți mașina și aspiratorul la distanță de aparate precum dispozitive Wi-Fi și cuptoare cu microunde.
Aspiratorul funcționează în timp ce butonul declanșator al mașinii nu este tras.	Alți utilizatori folosesc activarea wireless a aspiratorului cu mașinile acestora.	Oprți butonul de activare wireless al celorlalte mașini sau anulați înregistrarea celorlalte mașini.

## ÎNȚREȚINERE

**⚠️ ATENȚIE:** Asigurați-vă întotdeauna că mașina este oprită și cartușul acumulatorului scos înainte de a executa lucrările de inspecție și întreținere.

**NOTĂ:** Nu utilizați niciodată gazolină, benzină, diluant, alcool sau alte substanțe asemănătoare. În caz contrar, pot rezulta decolorări, deformări sau fisuri.

Pentru a menține SIGURANȚA și FIABILITATEA produsului, reparațiile și orice alte lucrări de întreținere sau reglare trebuie executate de centre de service Makita autorizate sau proprii, folosind întotdeauna piese de schimb Makita.

### Curățarea fanțelor de ventilație

Mașina și fanțele sale de ventilație trebuie păstrate curate. Curățați fanțele de ventilație ale mașinii în mod regulat sau ori de câte ori devin îmbăcșite.

► **Fig.33:** 1. Fanță de evacuare 2. Fanță de aspirație

**⚠️ ATENȚIE:** Curățați fanțele de ventilație atunci când sunt înfundate cu praf sau cu materii străine. Continuarea operării cu fanțele de ventilație înfundate poate declanșa un incendiu.

## ACCESORII OPȚIONALE

**⚠️ ATENȚIE:** Folosiți accesoriile sau piesele auxiliare recomandate pentru mașina dumneavoastră Makita în acest manual. Utilizarea oricăror alte accesorii sau piese auxiliare poate prezenta risc de vătămare corporală. Utilizați accesoriile și piesele auxiliare numai în scopul destinat.

Dacă aveți nevoie de asistență sau de mai multe detalii referitoare la aceste accesorii, adresați-vă centrului local de service Makita.

- Burghiu de ghidare pentru plăci de gips-carton
- Burghiu universal
- Con elastic
- Cheie
- Ghidaj circular
- Capac de aspirare
- Cârlig
- Unitate wireless
- Acumulator și încărcător original Makita

**NOTĂ:** Unele articole din listă pot fi incluse ca accesorii standard în ambalajul de scule. Acestea pot diferi în funcție de țară.

## TECHNISCHE DATEN

<b>Modell:</b>		<b>DCO181</b>
Spannzangenfutterkapazität		3,0 mm, 3,18 mm, 6,0 mm, 6,35 mm
Leerlaufdrehzahl		32.000 min <sup>-1</sup>
Gesamtlänge	mit BL1820B	293 mm
	mit BL1860B	311 mm
Nennspannung		18 V Gleichstrom
Nettogewicht		1,4 - 1,7 kg

- Wir behalten uns vor, Änderungen der technischen Daten im Zuge der Entwicklung und des technischen Fortschritts ohne vorherige Ankündigung vorzunehmen.
- Die technischen Daten und der Akku können von Land zu Land unterschiedlich sein.
- Das Gewicht kann abhängig von dem Aufsatz (den Aufsätzen), einschließlich des Akkus, unterschiedlich sein. Die leichteste und die schwerste Kombination, gemäß dem EPTA-Verfahren 01/2014, sind in der Tabelle angegeben.

### Zutreffende Akkus und Ladegeräte

Akku	BL1815N / BL1820 / BL1820B / BL1830 / BL1830B / BL1840 / BL1840B / BL1850 / BL1850B / BL1860B
Ladegerät	DC18RC / DC18RD / DC18RE / DC18SD / DC18SE / DC18SF / DC18SH

- Einige der oben aufgelisteten Akkus und Ladegeräte sind je nach Ihrem Wohngebiet eventuell nicht erhältlich.

**⚠️ WARNUNG:** Verwenden Sie nur die oben aufgeführten Akkus und Ladegeräte. Bei Verwendung irgendwelcher anderer Akkus und Ladegeräte besteht Verletzungs- und/oder Brandgefahr.

### Vorgesehene Verwendung

Das Werkzeug ist zum Bündigfräsen und Profildrehen von Holz, Kunststoff und ähnlichen Materialien vorgesehen.

### Geräusch

Typischer A-bewerteter Geräuschpegel ermittelt gemäß EN62841-2-17:

Schalldruckpegel (L<sub>pA</sub>): 78 dB (A)  
Messunsicherheit (K): 3 dB (A)

Der Geräuschpegel kann während des Betriebs 80 dB (A) überschreiten.

**HINWEIS:** Der (Die) angegebene(n) Schallemissionswert(e) wurde(n) im Einklang mit der Standardprüfmethode gemessen und kann (können) für den Vergleich zwischen Werkzeugen herangezogen werden.

**HINWEIS:** Der (Die) angegebene(n) Schallemissionswert(e) kann (können) auch für eine Vorbewertung des Gefährdungsgrads verwendet werden.

**⚠️ WARNUNG:** Einen Gehörschutz tragen.

**⚠️ WARNUNG:** Die Schallemission während der tatsächlichen Benutzung des Elektrowerkzeugs kann je nach der Benutzungsweise des Werkzeugs, und speziell je nach der Art des bearbeiteten Werkstücks, von dem (den) angegebenen Wert(en) abweichen.

**⚠️ WARNUNG:** Identifizieren Sie Sicherheitsmaßnahmen zum Schutz des Benutzers anhand einer Schätzung des Gefährdungsgrads unter den tatsächlichen Benutzungsbedingungen (unter Berücksichtigung aller Phasen des Arbeitszyklus, wie z. B. Ausschalt- und Leerlaufzeiten des Werkzeugs zusätzlich zur Betriebszeit).

### Schwingungen

Schwingungsgesamtwert (Drei-Achsen-Vektorsumme) ermittelt gemäß EN62841-2-17:  
Arbeitsmodus: Drehung ohne Last  
Schwingungsemission (a<sub>h</sub>): 2,5 m/s<sup>2</sup> oder weniger  
Messunsicherheit (K): 1,5 m/s<sup>2</sup>



**HINWEIS:** Der (Die) angegebene(n) Vibrationsgesamtwert(e) wurde(n) im Einklang mit der Standardprüfmethode gemessen und kann (können) für den Vergleich zwischen Werkzeugen herangezogen werden.

**HINWEIS:** Der (Die) angegebene(n) Vibrationsgesamtwert(e) kann (können) auch für eine Vorbewertung des Gefährdungsgrads verwendet werden.

**⚠️ WARNUNG:** Die Vibrationsemission während der tatsächlichen Benutzung des Elektrowerkzeugs kann je nach der Benutzungsweise des Werkzeugs, und speziell je nach der Art des bearbeiteten Werkstücks, von dem (den) angegebenen Emissionswert(en) abweichen.

**⚠️ WARNUNG:** Identifizieren Sie Sicherheitsmaßnahmen zum Schutz des Benutzers anhand einer Schätzung des Gefährdungsgrads unter den tatsächlichen Benutzungsbedingungen (unter Berücksichtigung aller Phasen des Arbeitszyklus, wie z. B. Ausschalt- und Leerlaufzeiten des Werkzeugs zusätzlich zur Betriebszeit).

## EG-Konformitätserklärung

### Nur für europäische Länder

Die EG-Konformitätserklärung ist als Anhang A in dieser Bedienungsanleitung enthalten.

## SICHERHEITSWARNUNGEN

### Allgemeine Sicherheitswarnungen für Elektrowerkzeuge

**⚠️ WARNUNG:** Lesen Sie alle mit diesem Elektrowerkzeug gelieferten Sicherheitswarnungen, Anweisungen, Abbildungen und technischen Daten durch. Eine Missachtung der unten aufgeführten Anweisungen kann zu einem elektrischen Schlag, Brand und/oder schweren Verletzungen führen.

### Bewahren Sie alle Warnungen und Anweisungen für spätere Bezugnahme auf.

Der Ausdruck „Elektrowerkzeug“ in den Warnhinweisen bezieht sich auf Ihr mit Netzstrom (mit Kabel) oder Akku (ohne Kabel) betriebenes Elektrowerkzeug.

## Sicherheitswarnungen für Akku-Rotationsschneider

1. Halten Sie das Werkzeug an den isolierten Griffflächen, wenn Sie unter Bedingungen arbeiten, bei denen das Schneidwerkzeug versteckte Verkabelung berühren kann. Bei Kontakt des Trennwerkzeugs mit einem stromführenden Kabel wird der Strom an die Metallteile des Elektrowerkzeugs und dadurch an den Bediener weitergeleitet, und der Bediener erleidet einen Stromschlag.
2. Verwenden Sie Klemmen oder andere geeignete Mittel, um das Werkstück auf einer stabilen Unterlage zu sichern. Wenn Sie das Werkstück von Hand halten oder gegen Ihren Körper pressen, kann dies zu Instabilität und Kontrollverlust führen.
3. Tragen Sie eine Schutzbrille und Staubmaske.
4. Es muss auf eine ausreichende Belüftung des Arbeitsplatzes geachtet werden.
5. Überprüfen Sie den Einsatz vor Gebrauch sorgfältig auf Risse oder Beschädigung. Wechseln Sie einen gerissenen oder beschädigten Einsatz unverzüglich aus.
6. Achten Sie vor dem Schneiden auf genügend Abstand unter dem Werkstück, damit der Einsatz nicht auf eine harte Oberfläche den Boden, die Werkbank usw. schlägt.
7. Schneiden Sie keine metallenen Objekte wie Nägel und Schrauben. Untersuchen Sie das Werkstück auf Nägel, Schrauben und andere Fremdmaterialien, und entfernen Sie diese ggf. vor Arbeitsbeginn.
8. Achten Sie darauf, dass der Einsatz das Werkstück nicht berührt, bevor das Werkzeug eingeschaltet wurde. Halten Sie das Werkzeug beim Einschalten stets mit beiden Händen gut fest. Das Drehmoment des Motors kann das Werkzeug drehen.
9. Bevor Sie das Werkzeug auf das zu bearbeitende Werkstück ansetzen, lassen Sie es einige Zeit ohne Last laufen. Wenn Sie ein Vibrieren oder einen unruhigen Lauf feststellen, prüfen Sie, ob der Einsatz sachgemäß eingesetzt wurde.
10. Vergewissern Sie sich, dass die Spindelarretierung gelöst ist, bevor Sie das Gerät einschalten.
11. Verwenden Sie das Werkzeug immer mit fest angebrachtem Schuh, der flach und fest gegen das Werkstück gedrückt werden muss.
12. Halten Sie das Werkzeug fest in der Hand.
13. Benutzen Sie Ihre Hände nicht dazu, das Werkstück abzustützen oder zu führen.
14. Halten Sie Ihre Hände von beweglichen Teilen fern.
15. Verwenden Sie dieses Werkzeug nicht zum Bohren.
16. Lassen Sie das Werkzeug nicht unbeaufsichtigt laufen. Arbeiten Sie nur mit ihm, wenn Sie es in der Hand halten.
17. Schalten Sie das Werkzeug immer aus und warten Sie auf den völligen Stillstand des Einsatzes, bevor Sie diesen aus dem Werkstück herausziehen.

18. Berühren Sie kurz nach dem Betrieb nicht den Einsatz oder das Werkstück. Diese können extrem heiß sein und zu Verbrennungen führen.
19. Achten Sie darauf, Fräser zu verwenden, die den passenden Schaftdurchmesser besitzen und für die Drehzahl des Werkzeugs geeignet sind.
20. Legen Sie das Werkzeug auf eine ebene und stabile Fläche. Anderenfalls kann das Werkzeug herunterfallen und einen Personenschaden verursachen.
7. Versuchen Sie niemals, den Akku zu verbrennen, selbst wenn er stark beschädigt oder vollkommen verbraucht ist. Der Akku kann im Feuer explodieren.
8. Unterlassen Sie Nageln, Schneiden, Zerquetschen, Werfen, Fallenlassen des Akkus oder Schlagen des Akkus mit einem harten Gegenstand. Eine solche Handlung kann zu einem Brand, übermäßiger Hitzeentwicklung oder einer Explosion führen.
9. Benutzen Sie keine beschädigten Akkus.

## BEWAHREN SIE DIESE ANWEISUNGEN AUF.

**⚠️ WARNUNG:** Lassen Sie sich NIE durch Bequemlichkeit oder (aus fortwährendem Gebrauch gewonnener) Vertrautheit mit dem Werkzeug dazu verleiten, die Sicherheitsregeln für das Werkzeug zu missachten. Bei MISSBRÄUCHLICHER Verwendung des Werkzeugs oder Missachtung der in diesem Handbuch enthaltenen Sicherheitshinweise kann es zu schweren Verletzungen kommen.

### Wichtige Sicherheitsanweisungen für Akku

1. Lesen Sie vor der Benutzung des Akkus alle Anweisungen und Warnhinweise, die an (1) Ladegerät, (2) Akku und (3) Akkuwerkzeug angebracht sind.
2. Unterlassen Sie Zerlegen oder Manipulieren des Akkus. Es kann sonst zu einem Brand, übermäßiger Hitzeentwicklung oder einer Explosion kommen.
3. Falls die Betriebszeit beträchtlich kürzer geworden ist, stellen Sie den Betrieb sofort ein. Anderenfalls besteht die Gefahr von Überhitzung, möglichen Verbrennungen und sogar einer Explosion.
4. Falls Elektrolyt in Ihre Augen gelangt, waschen Sie sie mit sauberem Wasser aus, und begeben Sie sich unverzüglich in ärztliche Behandlung. Anderenfalls können Sie Ihre Sehkraft verlieren.
5. Der Akku darf nicht kurzgeschlossen werden:
  - (1) Die Kontakte dürfen nicht mit leitfähigem Material berührt werden.
  - (2) Lagern Sie den Akku nicht in einem Behälter zusammen mit anderen Metallgegenständen, wie z. B. Nägel, Münzen usw.
  - (3) Setzen Sie den Akku weder Wasser noch Regen aus.

Ein Kurzschluss des Akkus verursacht starken Stromfluss, der Überhitzung, mögliche Verbrennungen und einen Defekt zur Folge haben kann.
6. Lagern und benutzen Sie das Werkzeug und den Akku nicht an Orten, an denen die Temperatur 50 °C erreichen oder überschreiten kann.
11. Entfernen Sie den Akku zum Entsorgen vom Werkzeug, und entsorgen Sie ihn an einem sicheren Ort. Befolgen Sie die örtlichen Vorschriften bezüglich der Entsorgung von Akkus.
12. Verwenden Sie die Akkus nur mit den von Makita angegebenen Produkten. Das Einsetzen der Akkus in nicht konforme Produkte kann zu einem Brand, übermäßiger Hitzeentwicklung, einer Explosion oder Auslaufen von Elektrolyt führen.
13. Soll das Werkzeug längere Zeit nicht benutzt werden, muss der Akku vom Werkzeug entfernt werden.
14. Bei und nach dem Gebrauch kann der Akku heiß werden, was Verbrennungen oder Niedertemperaturverbrennungen verursachen kann. Beachten Sie die Handhabung von heißen Akkus.
15. Berühren Sie nicht den Anschlusskontakt des Werkzeugs unmittelbar nach dem Gebrauch, da er heiß genug werden kann, um Verbrennungen zu verursachen.
16. Achten Sie darauf, dass sich keine Späne, Staub oder Schmutz in den Anschlusskontakten, Löchern und Nuten des Akkus absetzen. Dies kann zu einer Leistungseinbuße oder Betriebsstörung des Werkzeugs oder des Akkus führen.
17. Wenn das Werkzeug den Einsatz in der Nähe einer Hochspannungs-Stromleitung nicht unterstützt, benutzen Sie den Akku nicht in der Nähe einer Hochspannungs-Stromleitung. Dies kann zu einer Funktionsstörung oder Betriebsstörung des Werkzeugs oder des Akkus führen.
18. Halten Sie die Batterie von Kindern fern.

## DIESE ANWEISUNGEN AUFBEWAHREN.

**⚠ VORSICHT:** Verwenden Sie nur Original-Makita-Akkus. Die Verwendung von Nicht-Original-Makita-Akkus oder von Akkus, die abgeändert worden sind, kann zum Bersten des Akkus und daraus resultierenden Bränden, Personenschäden und Beschädigung führen. Außerdem wird dadurch die Makita-Garantie für das Makita-Werkzeug und -Ladegerät ungültig.

## Hinweise zur Aufrechterhaltung der maximalen Akku-Nutzungsdauer

1. Laden Sie den Akku, bevor er vollkommen erschöpft ist. Schalten Sie das Werkzeug stets aus, und laden Sie den Akku, wenn Sie ein Nachlassen der Werkzeulleistung feststellen.
2. Unterlassen Sie erneutes Laden eines voll aufgeladenen Akkus. Überladen führt zu einer Verkürzung der Nutzungsdauer des Akkus.
3. Laden Sie den Akku bei Raumtemperatur zwischen 10 – 40 °C. Lassen Sie einen heißen Akku abkühlen, bevor Sie ihn laden.
4. Wenn Sie den Akku nicht benutzen, nehmen Sie ihn vom Werkzeug oder Ladegerät ab.
5. Der Akku muss geladen werden, wenn er lange Zeit (länger als sechs Monate) nicht benutzt wird.

## Wichtige Sicherheitsanweisungen für Funk-Adapter

1. Unterlassen Sie Zerlegen oder Manipulieren des Funk-Adapters.
2. Halten Sie den Funk-Adapter von kleinen Kindern fern. Suchen Sie bei versehentlichem Verschlucken sofort ärztliche Behandlung auf.
3. Benutzen Sie den Funk-Adapter nur mit Makita-Werkzeugen.
4. Setzen Sie den Funk-Adapter keinem Regen oder Nässe aus.
5. Benutzen Sie den Funk-Adapter nicht an Orten, wo die Temperatur 50 °C überschreitet.
6. Betreiben Sie den Funk-Adapter nicht an Orten, in deren Nähe sich medizinische Geräte, wie z. B. Herzschrittmacher, befinden.
7. Betreiben Sie den Funk-Adapter nicht an Orten, in deren Nähe sich automatisierte Geräte befinden. Bei Betrieb kann in den automatisierten Geräten eine Funktionsstörung oder ein Fehler entstehen.
8. Betreiben Sie den Funk-Adapter nicht an Orten unter hohen Temperaturen oder an Orten, wo statische Elektrizität oder elektrisches Rauschen erzeugt werden könnte.
9. Der Funk-Adapter kann elektromagnetische Felder (EMF) erzeugen, die aber für den Benutzer nicht gesundheitsschädlich sind.
10. Der Funk-Adapter ist ein Präzisionsinstrument. Achten Sie darauf, dass der Funk-Adapter nicht fallen gelassen oder Stößen ausgesetzt wird.
11. Vermeiden Sie Berühren der Kontakte des Funk-Adapters mit bloßen Händen oder Metallgegenständen.
12. Entfernen Sie stets den Akku vom Produkt, bevor Sie den Funk-Adapter installieren.
13. Öffnen Sie den Deckel des Steckplatzes nicht an Orten, wo Staub und Wasser in den Steckplatz eindringen können. Halten Sie den Einlass des Steckplatzes stets sauber.
14. Führen Sie den Funk-Adapter stets in der korrekten Richtung ein.
15. Drücken Sie nicht zu fest und/oder mit einem scharfkantigen Gegenstand auf die Funk-Aktivierungstaste des Funk-Adapters.
16. Halten Sie den Deckel des Steckplatzes beim Betrieb immer geschlossen.
17. Entfernen Sie den Funk-Adapter nicht aus dem Steckplatz, während das Werkzeug mit Strom versorgt wird. Anderenfalls kann eine Funktionsstörung des Funk-Adapters verursacht werden.
18. Entfernen Sie nicht den Aufkleber vom Funk-Adapter.
19. Kleben Sie keinen anderen Aufkleber auf den Funk-Adapter.
20. Lassen Sie den Funk-Adapter nicht an einem Ort liegen, wo statische Elektrizität oder elektrisches Rauschen erzeugt werden könnte.
21. Lassen Sie den Funk-Adapter nicht an einem Ort liegen, der starker Hitze ausgesetzt ist, wie z. B. in einem in praller Sonne geparkten Auto.
22. Lassen Sie den Funk-Adapter nicht an einem Ort liegen, der Staub oder Puder aufweist, oder an dem ein korrosives Gas erzeugt werden könnte.
23. Plötzliche Temperaturschwankungen können den Funk-Adapter betauen. Benutzen Sie den Funk-Adapter nicht eher, bis der Tau vollständig getrocknet ist.
24. Wischen Sie den Funk-Adapter zum Reinigen sachte mit einem trockenen, weichen Tuch ab. Verwenden Sie kein Waschbenzin, kein leitfähiges Fett, keinen Verdünnern oder dergleichen.
25. Bewahren Sie den Funk-Adapter zur Lagerung in der mitgelieferten Schachtel oder einem statikfreien Behälter auf.
26. Führen Sie keine anderen Geräte außer dem Makita-Funk-Adapter in den Steckplatz des Werkzeugs ein.
27. Benutzen Sie das Werkzeug nicht, wenn der Deckel des Steckplatzes beschädigt ist. Wasser, Staub und Schmutz, die in den Steckplatz eindringen, können eine Funktionsstörung verursachen.
28. Ziehen und/oder verdrehen Sie den Deckel des Steckplatzes nicht mehr als nötig. Bringen Sie den Deckel wieder an, falls er sich vom Werkzeug löst.
29. Ersetzen Sie den Deckel des Steckplatzes, falls er verloren geht oder beschädigt wird.

**BEWAHREN SIE DIESE ANLEITUNG AUF.**

# FUNKTIONSBESCHREIBUNG

**⚠ VORSICHT:** Vergewissern Sie sich vor der Durchführung von Einstellungen oder Funktionsprüfungen des Werkzeugs stets, dass das Werkzeug ausgeschaltet und der Akku abgenommen ist.

## Anbringen und Abnehmen des Akkus

**⚠ VORSICHT:** Schalten Sie das Werkzeug stets aus, bevor Sie den Akku anbringen oder abnehmen.

**⚠ VORSICHT:** Halten Sie das Werkzeug und den Akku beim Anbringen oder Abnehmen des Akkus sicher fest. Wenn Sie das Werkzeug und den Akku nicht sicher festhalten, können sie Ihnen aus der Hand rutschen, was zu einer Beschädigung des Werkzeugs und des Akkus und zu Körperverletzungen führen kann.

► **Abb.1:** 1. Rote Anzeige 2. Knopf 3. Akku

Ziehen Sie den Akku zum Abnehmen vom Werkzeug ab, während Sie den Knopf an der Vorderseite des Akkus verschieben.

Richten Sie zum Anbringen des Akkus dessen Führungsfeder auf die Nut im Gehäuse aus, und schieben Sie den Akku hinein. Schieben Sie ihn vollständig ein, bis er mit einem hörbaren Klicken einrastet. Falls die rote Anzeige an der Oberseite des Knopfes sichtbar ist, ist der Akku nicht vollständig verriegelt.

**⚠ VORSICHT:** Schieben Sie den Akku stets bis zum Anschlag ein, bis die rote Anzeige nicht mehr sichtbar ist. Anderenfalls kann er aus dem Werkzeug herausfallen und Sie oder umstehende Personen verletzen.

**⚠ VORSICHT:** Unterlassen Sie Gewaltanwendung beim Anbringen des Akkus. Falls der Akku nicht reibungslos hineingleitet, ist er nicht richtig ausgerichtet.

## Anzeigen der Akku-Restkapazität

**Nur für Akkus mit Anzeige**

► **Abb.2:** 1. Anzeigelampen 2. Prüftaste

Drücken Sie die Prüftaste am Akku, um die Akku-Restkapazität anzuzeigen. Die Anzeigelampen leuchten wenige Sekunden lang auf.

Anzeigelampen			Restkapazität
Erleuchtet	Aus	Blinkend	
■	□	▧	75% bis 100%
■ ■ ■ ■			
■ ■ ■ □			50% bis 75%
■ ■ □ □			25% bis 50%
■ □ □ □			0% bis 25%
▧ □ □ □			Den Akku aufladen.
■ ■ □ □	↑ ↓	□ □ ■ ■	Möglicherweise liegt eine Funktionsstörung im Akku vor.

**HINWEIS:** Abhängig von den Benutzungsbedingungen und der Umgebungstemperatur kann die Anzeige geringfügig von der tatsächlichen Kapazität abweichen.

**HINWEIS:** Die erste (äußerste linke) Anzeigelampe blinkt, wenn das Akku-Schutzsystem aktiv ist.

## Werkzeug/Akku-Schutzsystem

Das Werkzeug ist mit einem Werkzeug/Akku-Schutzsystem ausgestattet. Dieses System schaltet die Stromversorgung des Motors automatisch ab, um die Lebensdauer von Werkzeug und Akku zu verlängern. Das Werkzeug bleibt während des Betriebs automatisch stehen, wenn das Werkzeug oder der Akku einer der folgenden Bedingungen unterliegt:

### Überlastschutz

Wird das Werkzeug oder der Akku auf eine Weise benutzt, die eine ungewöhnlich hohe Stromaufnahme bewirkt, bleibt das Werkzeug ohne jegliche Anzeige automatisch stehen. Schalten Sie in dieser Situation das Werkzeug aus, und brechen Sie die Arbeit ab, die eine Überlastung des Werkzeugs verursacht hat. Schalten Sie dann das Werkzeug wieder ein, um es neu zu starten.

### Überhitzungsschutz

Wenn das Werkzeug oder der Akku überhitzt wird, bleibt das Werkzeug automatisch stehen, und die Lampe beginnt zu blinken. Lassen Sie das Werkzeug und den Akku in diesem Fall abkühlen, bevor Sie das Werkzeug wieder einschalten.

### Überentladungsschutz

Wenn die Akkukapazität unzureichend wird, bleibt das Werkzeug automatisch stehen. Nehmen Sie in diesem Fall den Akku vom Werkzeug ab, und laden Sie ihn auf.

## Einschalten

**⚠ VORSICHT:** Bevor Sie den Akku in das Werkzeug einsetzen, sollten Sie sich stets vergewissern, dass der Schiebeschalter ordnungsgemäß funktioniert und beim Drücken der Rückseite in die AUS-Stellung zurückkehrt.

► **Abb.3:** 1. Schiebeschalter

Um das Werkzeug einzuschalten, schieben Sie den Schiebeschalter in Stellung "I (ON)". Zum Dauerbetrieb muss das vordere Ende des Schiebeschalters gedrückt werden, um den Schalter zu arretieren.

Zum Ausschalten des Werkzeugs drücken Sie das hintere Ende des Schiebeschalters, und schieben Sie diesen dann in Stellung "O (OFF)".

## Einschalten der Frontlampe

► **Abb.4:** 1. Lampe

**⚠ VORSICHT:** Blicken Sie nicht direkt in die Lampe oder die Lichtquelle.

Betätigen Sie den Schalter, um die Lampe einzuschalten. Die Lampe leuchtet, solange der Schalter eingeschaltet wird. Die Lampe erlischt ungefähr 10 Sekunden nach dem Ausschalten des Schalters.

**HINWEIS:** Wischen Sie Schmutz auf der Lampenlinse mit einem trockenen Tuch ab. Achten Sie sorgfältig darauf, dass Sie die Lampenlinse nicht verkratzen, weil sich sonst die Lichtstärke verringert.

**HINWEIS:** Wenn das Werkzeug überhitzt ist, blinkt die Lampe eine Minute lang. Lassen Sie in diesem Fall das Werkzeug abkühlen, bevor Sie die Arbeit fortsetzen.

## Funktion zum Verhindern eines versehentlichen Neustarts

Selbst wenn sich der Schiebeschalter auf der Position "I (ON)" befindet und der Akkublock eingesetzt wurde, wird das Werkzeug nicht gestartet.

Schieben Sie zum Start des Werkzeugs zunächst den Schiebeschalter in die Position "O (OFF)" und anschließend in die Position "I (ON)".

## Elektronikfunktionen

Das Werkzeug ist für komfortablen Betrieb mit Elektronikfunktionen ausgestattet.

- Sanftanlauf  
Die Sanftanlauf-Funktion reduziert Anlaufstöße auf ein Minimum und bewirkt ruckfreies Anlaufen des Werkzeugs.

## MONTAGE

**⚠ VORSICHT:** Vergewissern Sie sich vor der Ausführung von Arbeiten am Werkzeug stets, dass das Werkzeug ausgeschaltet und der Akku abgenommen ist.

## Montage und Demontage des Einsatzes

**ANMERKUNG:** Ziehen Sie die Spannzangenmutter nicht ohne eingesetzten Einsatz an, da sonst der Spannkegel brechen kann.

- **Abb.5:** 1. Spannzangenmutter 2. Schuh  
3. Spindelarretierung 4. Anziehen 5. Lösen

Drücken Sie die Spindelarretierung, damit sich die Spindel beim Montieren oder Demontieren des Einsatzes nicht dreht. Zum Montieren führen Sie den Einsatz bis zum Anschlag in den Spannzangenkonus ein, und ziehen Sie dann die Spannzangenmutter mit dem Schraubenschlüssel oder dem Schuh als Schraubenschlüssel fest. Zum Entnehmen des Einsatzes befolgen Sie die Einbauprozedur rückwärts.

## Austauschen des Spannzangenkonus

### Länderspezifisch

**ANMERKUNG:** Verwenden Sie einen Spannzangenkonus der korrekten Größe für den zu benutzenden Einsatz.

**ANMERKUNG:** Ziehen Sie die Spannzangenmutter nicht ohne eingesetzten Einsatz an, da sonst der Spannkegel brechen kann.

- **Abb.6:** 1. Spannkegel 2. Einsatz  
3. Spannzangenmutter

Zum Austauschen des Spannzangenkonus lösen und entfernen Sie die Spannzangenmutter. Ersetzen Sie den montierten Spannzangenkonus durch den gewünschten Spannzangenkonus. Bringen Sie die Spannzangenmutter wieder an.

## Montieren des Schuhs

Um den Schuh zu montieren, lösen Sie zuerst die Flügelschraube. Bringen Sie den Schuh am Werkzeug an, und befestigen Sie ihn dann sicher mit der Flügelschraube.

- **Abb.7:** 1. Schuh 2. Flügelschraube

## Aufhänger

**⚠ VORSICHT:** Hängen Sie das Werkzeug auf keinen Fall an hoch gelegenen Stellen oder an einer potentiell instabilen Fläche auf.

- **Abb.8:** 1. Nut 2. Aufhänger 3. Schraube

Der Aufhänger ist praktisch, um das Werkzeug vorübergehend aufzuhängen.

Um den Aufhänger anzubringen, führen Sie ihn in die Nut des Werkzeuggehäuses ein, und sichern Sie ihn dann mit einer Schraube. Um ihn zu entfernen, lösen Sie die Schraube, und nehmen Sie dann ihn heraus.

## Riemenöse

Die Riemenöse dient dazu, das Werkzeug mit einem Riemen an der Wand aufzuhängen.

- **Abb.9:** 1. Riemenöse

**⚠ WARNUNG:** Verwenden Sie die Riemenöse nicht für andere Zwecke außer dem Aufhängen des Werkzeugs an der Wand. Anderenfalls kann es zu schweren Verletzungen kommen, weil die Riemenöse nicht für andere Zwecke außer dem Aufhängen des Werkzeugs an der Wand vorgesehen ist.

## ARBEIT

**⚠ VORSICHT:** Vermeiden Sie es, den Einsatz zu verbiegen oder zu verdrehen. Er könnte abbrechen.

**⚠ VORSICHT:** Vergewissern Sie sich vor Einschalten des Werkzeugs, dass Einsatz und Spannzangenmutter gesichert sind.

**⚠ VORSICHT:** Benutzen Sie das Werkzeug immer mit angebrachter Basis, wie z. B. dem Schuh, oder angebrachtem Absaugadapter.

Halten Sie das Werkzeug gut fest, während der Einsatz in eine sichere Richtung weist und keine Oberfläche berührt. Schalten Sie das Werkzeug ein, und warten Sie, bis es die volle Drehzahl erreicht.

- **Abb.10**

Wenn Sie den Trockenwand-Führungseinsatz in die Trockenwand einsetzen, so setzen Sie den Einsatz vorsichtig und gerade ein, sodass die Schuhbasis in vollem Kontakt mit dem Material ist.

Bewegen Sie das Werkzeug mit konstantem Druck langsam im Uhrzeigersinn, um einen Schnitt auszuführen.

► **Abb.11:** 1. Führungsleiste

Um eine gerade Linie zu schneiden, klemmen Sie eine Führungsleiste fest am Material an, und verwenden Sie diese als Führung. Schieben Sie das Werkzeug in Pfeilrichtung vor, während die Schuhbasis eng an der Seitenkante der Führungsleiste anliegt.

Wenn der Schnitt beendet ist, schalten Sie das Werkzeug aus, und warten Sie, bis der Einsatz zum Stillstand kommt, bevor Sie ihn vorsichtig aus dem Material herausziehen.

**ANMERKUNG:** Drücken Sie den Einsatz nicht mit übermäßiger Kraft gegen das Material. Anderenfalls kann der Einsatz stumpf werden oder brechen, oder das Werkzeug kann defekt werden.

**HINWEIS:** Wenn Sie Löcher in Gipskartonplatten um Steckdosen herum ausschneiden, führen Sie das Werkzeug entgegen dem Uhrzeigersinn, um den Schnitt zu erleichtern.

**HINWEIS:** Der im Lieferumfang dieses Werkzeugs enthaltene Standardeinsatz ist nur zum Schneiden von Gipskartonplatten vorgesehen. Wenn Sie andere Materialien außer Gipskartonplatten schneiden, verwenden Sie den standardmäßigen Gipskartonplatten-Führungseinsatz nicht.

## Absaugadapter

Um sauberer zu arbeiten, verwenden Sie den Absaugadapter, und schließen Sie das Werkzeug an ein Makita-Sauggerät an.

► **Abb.12:** 1. Werkzeug 2. Vakuumabdeckung  
3. Schlauch 4. Staubsauger

Lösen Sie die Flügelschraube, und nehmen Sie den Schuh ab. Bringen Sie die Vakuumabdeckung an, und sichern Sie sie mit der Flügelschraube.

► **Abb.13:** 1. Flügelschraube 2. Vakuumabdeckung

**HINWEIS:** Die Kreisführung (optionales Zubehör) kann auf der Vakuumabdeckung montiert werden.

## Verwendung des Mehrzweckesatzes

### Sonderzubehör

Wenn Sie mit dem Vielzweckesatz im Material arbeiten, halten Sie das Werkzeug in einem Winkel von etwa 45 Grad zur Kante der Schuhbasis, die das Material berührt.

► **Abb.14**

Bringen Sie das Werkzeug vorsichtig in eine gerade Position, sodass die Schuhbasis das Material vollständig berührt.

► **Abb.15**

## Kreisführung

### Sonderzubehör

Kreisschnittdurchmesser: 10 cm - 34 cm

## Anbringen der Kreisführung

Entfernen Sie die Flügelschraube, die den Schuh sichert.

► **Abb.16:** 1. Flügelschraube 2. Schuh

Richten Sie die Vorsprünge in der Kreisführung an den Rillen im Schuh aus, und sichern Sie Schuh und Kreisführung mit der Flügelschraube.

► **Abb.17:** 1. Vorstände 2. Schuh

Zum Einstellen der Schnitttiefe lösen Sie die Flügelschraube, und verschieben Sie dann den Schuh mit der Kreisführung. Ziehen Sie die Flügelschraube nach der Einstellung wieder sicher fest.

► **Abb.18:** 1. Flügelschraube 2. Kreisführung  
3. Schuh 4. Lösen 5. Anziehen

## Verwendung der Kreisführung

Lösen Sie den Knopf, und stellen Sie seine Position entsprechend der Größe des zu schneidenden Kreises ein. (Der Radius des zu schneidenden Lochs ist als allgemeine Richtlinie an der Seite der Kreisführung angegeben.) Ziehen Sie den Knopf nach Abschluss der Einstellung wieder sicher fest.

► **Abb.19:** 1. Knopf 2. Anziehen 3. Lösen

Setzen Sie die Spitze des Knopfes in die Mitte des zu schneidenden Kreises ein, und führen Sie den Schnitt im Uhrzeigersinn aus.

► **Abb.20:** 1. Knopf

## FUNK- AKTIVIERUNGSFUNKTION

### Mit der Funk-Aktivierungsfunktion verfügbare Möglichkeiten

Die Funk-Aktivierungsfunktion ermöglicht sauberen und komfortablen Betrieb. Wenn Sie ein unterstütztes Sauggerät an das Werkzeug anschließen, können Sie das Sauggerät automatisch mit der Schalterbetätigung des Werkzeugs betreiben.

► **Abb.21**

Um die Funk-Aktivierungsfunktion zu benutzen, benötigen Sie die folgenden Gegenstände:

- Einen Funk-Adapter (Sonderzubehör)
- Ein Sauggerät, das die Funk-Aktivierungsfunktion unterstützt

Die Übersicht über die Einstellung der Funk-Aktivierungsfunktion ist wie folgt. Ausführliche Verfahren entnehmen Sie bitte dem jeweiligen Abschnitt.

1. Installieren des Funk-Adapters
2. Werkzeugregistrierung für das Sauggerät
3. Starten der Funk-Aktivierungsfunktion

## Installieren des Funk-Adapters

### Sonderzubehör

**⚠ VORSICHT:** Legen Sie das Werkzeug zum Installieren des Funk-Adapters auf eine ebene und stabile Oberfläche.

**ANMERKUNG:** Entfernen Sie Staub und Schmutz vom Werkzeug, bevor Sie den Funk-Adapter installieren. Staub oder Schmutz können eine Funktionsstörung verursachen, falls sie in den Steckplatz des Funk-Adapters gelangen.

**ANMERKUNG:** Um eine durch statische Entladung verursachte Funktionsstörung zu verhindern, berühren Sie ein Statikentladungsmaterial, wie z. B. ein Metallteil des Werkzeugs, bevor Sie den Funk-Adapter anfassen.

**ANMERKUNG:** Achten Sie beim Installieren des Funk-Adapters immer darauf, dass der Funk-Adapter in der korrekten Richtung eingeführt wird und der Deckel vollständig geschlossen ist.

1. Öffnen Sie den Deckel am Werkzeug, wie in der Abbildung gezeigt.

► **Abb.22:** 1. Deckel

2. Führen Sie den Funk-Adapter in den Steckplatz ein, und schließen Sie dann den Deckel.

Wenn Sie den Funk-Adapter einführen, richten Sie die Vorsprünge auf die Vertiefungen des Steckplatzes aus.

► **Abb.23:** 1. Funk-Adapter 2. Vorsprung 3. Deckel 4. Vertiefung

Zum Entfernen des Funk-Adapters öffnen Sie den Deckel langsam. Die Haken an der Rückseite des Deckels heben den Funk-Adapter an, wenn Sie den Deckel hochziehen.

► **Abb.24:** 1. Funk-Adapter 2. Haken 3. Deckel

Bewahren Sie den Funk-Adapter nach der Entnahme in der mitgelieferten Schachtel oder einem statikfreien Behälter auf.

**ANMERKUNG:** Verwenden Sie immer die Haken an der Rückseite des Deckels zum Entfernen des Funk-Adapters. Falls die Haken den Funk-Adapter nicht greifen, schließen Sie den Deckel vollständig, und öffnen Sie ihn dann wieder langsam.

## Werkzeugregistrierung für das Sauggerät

**HINWEIS:** Ein Makita-Sauggerät, das die Funk-Aktivierungsfunktion unterstützt, ist für die Werkzeugregistrierung erforderlich.

**HINWEIS:** Die Installation des Funk-Adapters im Werkzeug muss vollendet sein, bevor mit der Werkzeugregistrierung begonnen wird.

**HINWEIS:** Unterlassen Sie während der Werkzeugregistrierung die Betätigung des Auslöseschalters oder das Einschalten des Ein-Aus-Schalters am Sauggerät.

**HINWEIS:** Nehmen Sie auch auf die Betriebsanleitung des Sauggerätes Bezug.

Wenn Sie das Sauggerät zusammen mit der Schalterbetätigung des Werkzeugs aktivieren möchten, müssen Sie zuvor die Werkzeugregistrierung beenden.

1. Setzen Sie die Akkus in das Sauggerät und das Werkzeug ein.

2. Stellen Sie den Bereitschaftsschalter am Sauggerät auf „AUTO“.

► **Abb.25:** 1. Bereitschaftsschalter

3. Drücken Sie die Funk-Aktivierungstaste am Sauggerät für 3 Sekunden, bis die Funk-Aktivierungslampe in Grün blinkt. Drücken Sie dann die Funk-Aktivierungstaste am Werkzeug in der gleichen Weise.

► **Abb.26:** 1. Funk-Aktivierungstaste  
2. Funk-Aktivierungslampe

Wenn Sauggerät und Werkzeug erfolgreich verbunden werden, leuchten die Funk-Aktivierungslampen 2 Sekunden lang in Grün auf und beginnen dann in Blau zu blinken.

**HINWEIS:** Nach Ablauf von 20 Sekunden hören die Funk-Aktivierungslampen auf, in Grün zu blinken. Drücken Sie die Funk-Aktivierungstaste am Werkzeug, während die Funk-Aktivierungslampe am Staubsauger blinkt. Falls die Funk-Aktivierungslampe nicht in Grün blinkt, drücken Sie die Funk-Aktivierungstaste kurz, und halten Sie sie erneut gedrückt.

**HINWEIS:** Wenn Sie zwei oder mehr Werkzeugregistrierungen für ein Sauggerät durchführen, beenden Sie die Werkzeugregistrierungen nacheinander.

## Starten der Funk-Aktivierungsfunktion

**HINWEIS:** Beenden Sie die Werkzeugregistrierung für das Sauggerät vor der Funk-Aktivierung.

**HINWEIS:** Nehmen Sie auch auf die Betriebsanleitung des Sauggerätes Bezug.

Nachdem Sie ein Werkzeug im Sauggerät registriert haben, läuft das Sauggerät automatisch mit der Schalterbetätigung am Werkzeug an.

1. Installieren Sie den Funk-Adapter im Werkzeug.

2. Schließen Sie den Schlauch des Sauggerätes am Werkzeug an.

► **Abb.27**

3. Stellen Sie den Bereitschaftsschalter am Sauggerät auf „AUTO“.

► **Abb.28:** 1. Bereitschaftsschalter

4. Drücken Sie die Funk-Aktivierungstaste am Werkzeug kurz. Die Funk-Aktivierungslampe blinkt in Blau.

► **Abb.29:** 1. Funk-Aktivierungstaste  
2. Funk-Aktivierungslampe

5. Betätigen Sie den Auslöseschalter des Werkzeugs. Prüfen Sie, ob das Sauggerät läuft, während der Auslöseschalter betätigt wird.

Um die Funk-Aktivierung des Sauggerätes zu stoppen, drücken Sie die Funk-Aktivierungstaste am Werkzeug.

**HINWEIS:** Die Funk-Aktivierungslampe am Werkzeug hört auf, in Blau zu blinken, wenn 2 Stunden lang kein Betrieb erfolgt. Stellen Sie in diesem Fall den Bereitschaftsschalter am Sauggerät auf „AUTO“, und drücken Sie die Funk-Aktivierungstaste am Werkzeug erneut.

**HINWEIS:** Das Sauggerät startet/stoppt mit einer Verzögerung. Es tritt eine Zeitverzögerung auf, wenn das Sauggerät eine Schalterbetätigung des Werkzeugs erkennt.

**HINWEIS:** Die Übertragungreichweite des Funk-Adapters kann abhängig vom Ort und den Umgebungsbedingungen schwanken.

**HINWEIS:** Wenn zwei oder mehr Werkzeuge in einem Sauggerät registriert sind, kann das Sauggerät anlaufen, selbst wenn Sie den Auslöseschalter nicht betätigen, weil ein anderer Benutzer die Funk-Aktivierungsfunktion benutzt.

## Beschreibung des Zustands der Funk-Aktivierungslampe

### ► Abb.30: 1. Funk-Aktivierungslampe

Die Funk-Aktivierungslampe zeigt den Zustand der Funk-Aktivierungsfunktion an. Die Bedeutung des Lampenzustands ist aus der nachstehenden Tabelle ersichtlich.

Zustand	Funk-Aktivierungslampe			Beschreibung	
	Farbe	<input type="checkbox"/> Ein	<input type="checkbox"/> Blinkend		Dauer
Bereitschaft	Blau	<input checked="" type="checkbox"/>		2 Stunden	Die Funk-Aktivierung des Sauggerätes ist verfügbar. Die Lampe erlischt automatisch, wenn 2 Stunden lang kein Betrieb erfolgt.
		<input type="checkbox"/>		Wenn das Werkzeug läuft.	Die Funk-Aktivierung des Sauggerätes ist verfügbar, und das Werkzeug läuft.
Werkzeugregistrierung	Grün	<input checked="" type="checkbox"/>		20 Sekunden	Bereit für die Werkzeugregistrierung. Warten auf die Registrierung durch das Sauggerät.
		<input type="checkbox"/>		2 Sekunden	Die Werkzeugregistrierung ist beendet worden. Die Funk-Aktivierungslampe beginnt, in Blau zu blinken.
Aufheben der Werkzeugregistrierung	Rot	<input checked="" type="checkbox"/>		20 Sekunden	Bereit für die Aufhebung der Werkzeugregistrierung. Warten auf die Aufhebung durch das Sauggerät.
		<input type="checkbox"/>		2 Sekunden	Die Aufhebung der Werkzeugregistrierung ist beendet worden. Die Funk-Aktivierungslampe beginnt, in Blau zu blinken.
Sonstiges	Rot	<input type="checkbox"/>		3 Sekunden	Der Funk-Adapter wird mit Strom versorgt, und die Funk-Aktivierungsfunktion wird gestartet.
	Aus	-		-	Die Funk-Aktivierung des Sauggerätes ist gestoppt.

## Aufheben der Werkzeugregistrierung für das Sauggerät

Führen Sie das folgende Verfahren durch, um die Werkzeugregistrierung für das Sauggerät aufzuheben.

1. Setzen Sie die Akkus in das Sauggerät und das Werkzeug ein.
2. Stellen Sie den Bereitschaftsschalter am Sauggerät auf „AUTO“.

### ► Abb.31: 1. Bereitschaftsschalter

3. Drücken Sie die Funk-Aktivierungstaste am Sauggerät für 6 Sekunden. Die Funk-Aktivierungslampe blinkt in Grün und wird dann rot. Drücken Sie danach die Funk-Aktivierungstaste am Werkzeug in der gleichen Weise.

### ► Abb.32: 1. Funk-Aktivierungstaste 2. Funk-Aktivierungslampe

Wenn die Aufhebung erfolgreich war, leuchten die Funk-Aktivierungslampen 2 Sekunden lang in Rot auf und beginnen dann in Blau zu blinken.

**HINWEIS:** Nach Ablauf von 20 Sekunden hören die Funk-Aktivierungslampen auf, in Rot zu blinken. Drücken Sie die Funk-Aktivierungstaste am Werkzeug, während die Funk-Aktivierungslampe am Staubsauger blinkt. Falls die Funk-Aktivierungslampe nicht in Rot blinkt, drücken Sie die Funk-Aktivierungstaste kurz, und halten Sie sie erneut gedrückt.



## Fehlersuche für Funk-Aktivierungsfunktion

Bevor Sie den Reparaturdienst anrufen, führen Sie zunächst Ihre eigene Inspektion durch. Falls Sie ein Problem finden, das nicht in der Anleitung erläutert wird, versuchen Sie nicht, das Werkzeug zu zerlegen. Wenden Sie sich stattdessen an autorisierte Makita-Kundendienstzentren, und achten Sie darauf, dass stets Makita-Ersatzteile für Reparaturen verwendet werden.

Zustand der Unregelmäßigkeit	Wahrscheinliche Ursache (Funktionsstörung)	Abhilfemaßnahme
Die Funk-Aktivierungslampe leuchtet/blinkt nicht.	Es ist kein Funk-Adapter im Werkzeug installiert. Der Funk-Adapter ist falsch im Werkzeug installiert.	Installieren Sie den Funk-Adapter korrekt.
	Die Kontakte des Funk-Adapters und/oder des Steckplatzes sind verschmutzt.	Wischen Sie Staub und Schmutz an den Kontakten des Funk-Adapters saftig ab, und reinigen Sie den Steckplatz.
	Die Funk-Aktivierungstaste am Werkzeug ist nicht gedrückt worden.	Drücken Sie die Funk-Aktivierungstaste am Werkzeug kurz.
	Der Bereitschaftsschalter am Saugergerät ist nicht auf „AUTO“ eingestellt.	Stellen Sie den Bereitschaftsschalter am Saugergerät auf „AUTO“.
	Keine Stromversorgung	Versorgen Sie Werkzeug und Saugergerät mit Strom.
Die Werkzeugregistrierung/Aufhebung der Werkzeugregistrierung kann nicht erfolgreich beendet werden.	Es ist kein Funk-Adapter im Werkzeug installiert. Der Funk-Adapter ist falsch im Werkzeug installiert.	Installieren Sie den Funk-Adapter korrekt.
	Die Kontakte des Funk-Adapters und/oder des Steckplatzes sind verschmutzt.	Wischen Sie Staub und Schmutz an den Kontakten des Funk-Adapters saftig ab, und reinigen Sie den Steckplatz.
	Der Bereitschaftsschalter am Saugergerät ist nicht auf „AUTO“ eingestellt.	Stellen Sie den Bereitschaftsschalter am Saugergerät auf „AUTO“.
	Keine Stromversorgung	Versorgen Sie Werkzeug und Saugergerät mit Strom.
	Falsche Bedienung	Drücken Sie die Funk-Aktivierungstaste kurz, und führen Sie das Verfahren der Werkzeugregistrierung/Aufhebung der Werkzeugregistrierung erneut durch.
	Der Abstand zwischen Werkzeug und Saugergerät ist zu groß (außerhalb der Übertragungsbereichweite).	Verkleinern Sie den Abstand zwischen Werkzeug und Saugergerät. Die maximale Übertragungsbereichweite beträgt ungefähr 10 m, sie kann aber je nach den Umständen schwanken.
	Vor Beendigung der Werkzeugregistrierung/Aufhebung der Werkzeugregistrierung: - der Auslöseschalter am Werkzeug wird betätigt, oder - die Ein-Aus-Taste am Saugergerät wird eingeschaltet.	Drücken Sie die Funk-Aktivierungstaste kurz, und führen Sie das Verfahren der Werkzeugregistrierung/Aufhebung der Werkzeugregistrierung erneut durch.
	Die Verfahren der Werkzeugregistrierung für das Werkzeug oder das Saugergerät sind nicht beendet.	Führen Sie die Verfahren der Werkzeugregistrierung sowohl für das Werkzeug als auch das Saugergerät zum selben Zeitpunkt durch.
Das Saugergerät läuft bei der Schalterbetätigung des Werkzeugs nicht an.	Es ist kein Funk-Adapter im Werkzeug installiert. Der Funk-Adapter ist falsch im Werkzeug installiert.	Installieren Sie den Funk-Adapter korrekt.
	Die Kontakte des Funk-Adapters und/oder des Steckplatzes sind verschmutzt.	Wischen Sie Staub und Schmutz an den Kontakten des Funk-Adapters saftig ab, und reinigen Sie den Steckplatz.
	Die Funk-Aktivierungstaste am Werkzeug ist nicht gedrückt worden.	Drücken Sie die Funk-Aktivierungstaste kurz, und vergewissern Sie sich, dass die Funk-Aktivierungslampe in Blau blinkt.
	Der Bereitschaftsschalter am Saugergerät ist nicht auf „AUTO“ eingestellt.	Stellen Sie den Bereitschaftsschalter am Saugergerät auf „AUTO“.
	Es sind mehr als 10 Werkzeuge im Saugergerät registriert.	Führen Sie die Werkzeugregistrierung erneut durch. Wenn mehr als 10 Werkzeuge im Saugergerät registriert werden, wird die Registrierung des ersten Werkzeugs automatisch gelöscht.
	Das Saugergerät hat alle Werkzeugregistrierungen gelöscht.	Führen Sie die Werkzeugregistrierung erneut durch.
	Keine Stromversorgung	Versorgen Sie Werkzeug und Saugergerät mit Strom.
	Der Abstand zwischen Werkzeug und Saugergerät ist zu groß (außerhalb der Übertragungsbereichweite).	Verkleinern Sie den Abstand zwischen Werkzeug und Saugergerät. Die maximale Übertragungsbereichweite beträgt ungefähr 10 m, sie kann aber je nach den Umständen schwanken.
	Funktstörungen durch andere Geräte, die starke Funkwellen erzeugen.	Halten Sie das Werkzeug und das Saugergerät von solchen Geräten wie WLAN-Geräten und Mikrowellenöfen fern.

Zustand der Unregelmäßigkeit	Wahrscheinliche Ursache (Funktionsstörung)	Abhilfemaßnahme
Das Sauggerät läuft an, obwohl der Auslöseschalter des Werkzeugs nicht betätigt wurde.	Anderer Benutzer nutzen die Funk-Aktivierung des Sauggerätes mit ihren Werkzeugen.	Schalten Sie die Funk-Aktivierungstaste der anderen Werkzeuge aus, oder heben Sie die Werkzeugregistrierung der anderen Werkzeuge auf.

## WARTUNG

**⚠ VORSICHT:** Vergewissern Sie sich vor der Durchführung von Inspektions- oder Wartungsarbeiten stets, dass das Werkzeug ausgeschaltet und der Akku abgenommen ist.

**ANMERKUNG:** Verwenden Sie auf keinen Fall Benzin, Waschbenzin, Verdünner, Alkohol oder dergleichen. Solche Mittel können Verfärbung, Verformung oder Rissbildung verursachen.

Um die SICHERHEIT und ZUVERLÄSSIGKEIT dieses Produkts zu gewährleisten, sollten Reparaturen und andere Wartungs- oder Einstellarbeiten nur von Makita-Vertragswerkstätten oder Makita-Kundendienstzentren unter ausschließlicher Verwendung von Makita-Originalersatzteilen ausgeführt werden.

## Reinigung der Ventilationsöffnungen

Halten Sie das Werkzeug und seine Ventilationsöffnungen stets sauber. Reinigen Sie die Ventilationsöffnungen des Werkzeugs regelmäßig oder im Anfangsstadium einer Verstopfung.

► **Abb.33:** 1. Auslassöffnung 2. Einlassöffnung

**⚠ VORSICHT:** Reinigen Sie die Ventilationsöffnungen, wenn sie mit Staub oder Fremdkörpern zugesetzt sind. Fortgesetzter Betrieb mit zugesetzten Ventilationsöffnungen kann einen Brand verursachen.

## SONDERZUBEHÖR

**⚠ VORSICHT:** Die folgenden Zubehörteile oder Vorrichtungen werden für den Einsatz mit dem in dieser Anleitung beschriebenen Makita-Werkzeug empfohlen. Die Verwendung anderer Zubehörteile oder Vorrichtungen kann eine Verletzungsgefahr darstellen. Verwenden Sie Zubehörteile oder Vorrichtungen nur für ihren vorgesehenen Zweck.

Wenn Sie nähere Informationen bezüglich dieses Zubehörs benötigen, wenden Sie sich bitte an Ihre örtliche Servicestelle der Firma Makita.

- Trockenwand-Führungseinsatz
- Vielzweck Einsatz
- Spannkegel
- Schlüssel
- Kreisführung
- Vakuumabdeckung
- Aufhänger

- Funk-Adapter
- Originalakku und Ladegerät von Makita

**HINWEIS:** Manche Teile in der Liste können als Standardzubehör im Werkzeugsatz enthalten sein. Sie können von Land zu Land unterschiedlich sein.



**Makita Europe N.V.** Jan-Baptist Vinkstraat 2,  
3070 Kortenberg, Belgium

**Makita Corporation** 3-11-8, Sumiyoshi-cho,  
Anjo, Aichi 446-8502 Japan

[www.makita.com](http://www.makita.com)

885805-970 EN, PL, HU, SK, CS, UK, RO, DE 20200626
-------------------------------------------------------------