

Swing door hinges HAWGOOD 4000 and 4500



Video



Website

For doors up to 26 kg and 30 mm thick

CHARACTERISTICS

- Long service life, with little maintenance necessary
- Shoe available in different materials and colors: nickel-plated, brass, grey or black plastic
- Zinc-plated steel or stainless steel plate
- Integrated hold-open at about 90° in both directions
- The door comes to a stop quickly and therefore makes little noise
- Due to their design, the passage width is only marginally smaller
- The model with stainless steel plate and plastic shoe is also suitable for humid environments and outdoor use



MODELS

- **Door thickness:** Type 4000 is designed for 19 - 24 mm thick doors; type 4500 for 25 - 30 mm thick doors
- **Finish:** For more sophisticated architectural solutions, there are brass shoes available (brushed or nickel-plated). The abrasion-proof plastic (light grey or black) are just as high-quality and durable, and more inexpensive
- **Spring force:** depends on the number of springs (E = 1 spring, D = 2 springs)

SELECTION CRITERIA

This table helps you determine the correct swing door hinge size, depending on the width, height and weight of the door. Generally, you use either a pair of the "E" or "D" type per door.

For swing door hinges type 4000 or 4500 the maximum door weight is 26 kg. In case your door is heavier or has different dimensions to the ones in the table, please contact our technical customer service.

- E = 2 x simple spring (1 pair)
- D = 2 x double spring (1 pair)



Questionnaire

INSTALLATION



Installation instructions

TECHNICAL DATA

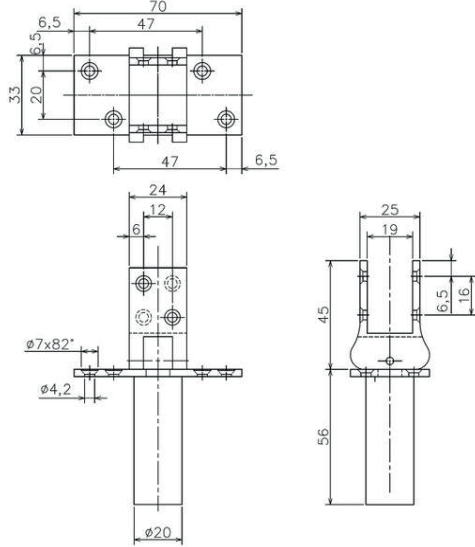
Door thickness	4000: 19 mm (max. 24 mm); 4500: 25 mm (max. 30 mm)
Opening angle	max. 100°
Hold-open	at about 90°
Material	Plastic (shoe), zinc-plated steel (plate); Plastic (shoe), stainless steel AISI 304 (plate); Brushed brass (shoe), zinc-plated steel (plate); Nickel-plated brass (shoe), zinc-plated steel (plate)

Door	E	D	E	D	E	D	E	D	E	D
Width (mm)	300	300	400	400	500	500	600	600	700	700
Height (mm)	Max. door leaf weight [kg]									
500	9	16	6	11	5	9	4	7	3	5,4
600	11	20	8	14	6	11	5	9	4	7
700	12	22	9	16	7	13	6	11	5	9
800	14	25	11	20	8	14	7	13	6	11
900	16	26	12	22	10	18	8	14	7	12
1000	18	26	13	23	11	20	9	16	7	13
1100	20	26	16	26	12	22	10	18	8	15
1200	22	26	16	26	13	23	11	20	9	16
1300	22	26	17	26	14	25	12	22	10	18
1400	22	26	19	26	15	26	12	22	11	20
1500	22	26	20	26	16	26	13	23	11	20
1600	22	26	22	26	17	26	14	25	12	22
1800	22	26	22	26	19	26	16	26	14	25
2000	22	26	22	26	21	26	18	26	15	26

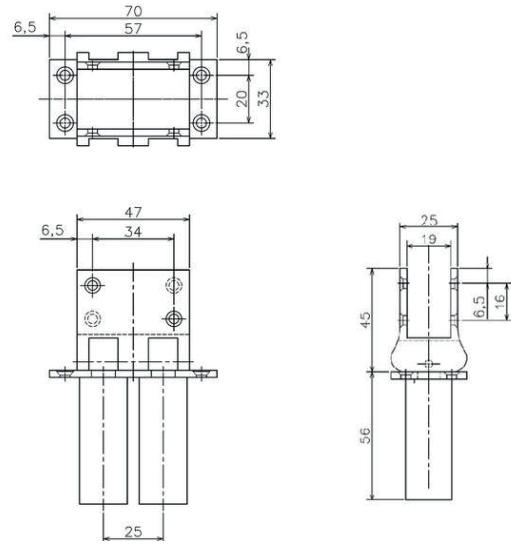
DIMENSIONS

All dimensions in mm

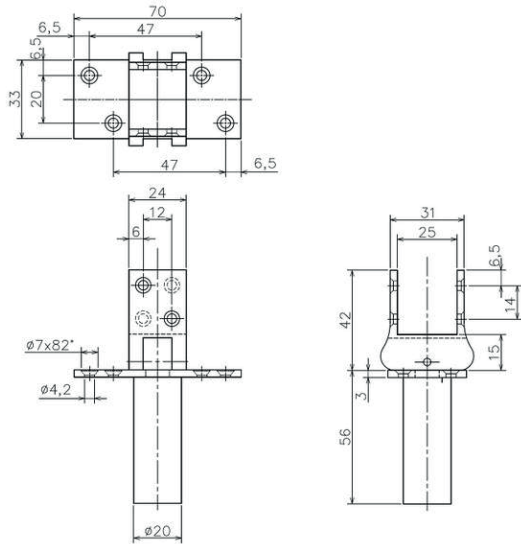
HAWGOOD 4000 E with brass shoe



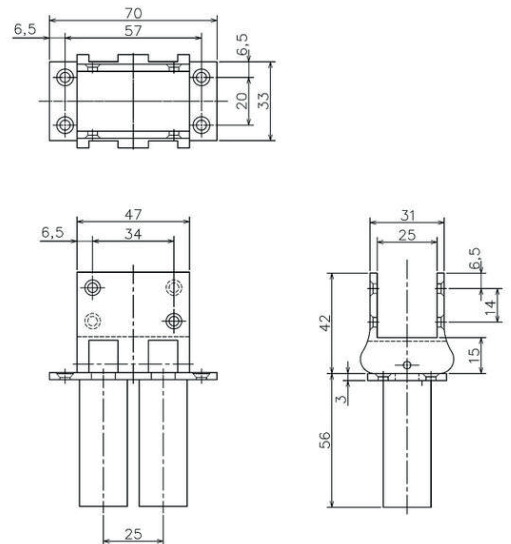
HAWGOOD 4000 D with brass shoe



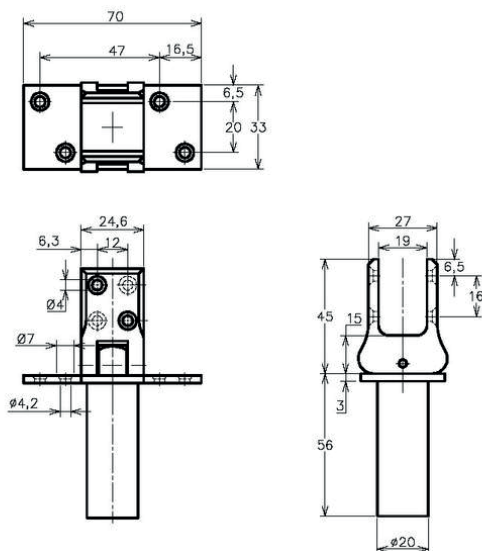
HAWGOOD 4500 E with brass shoe



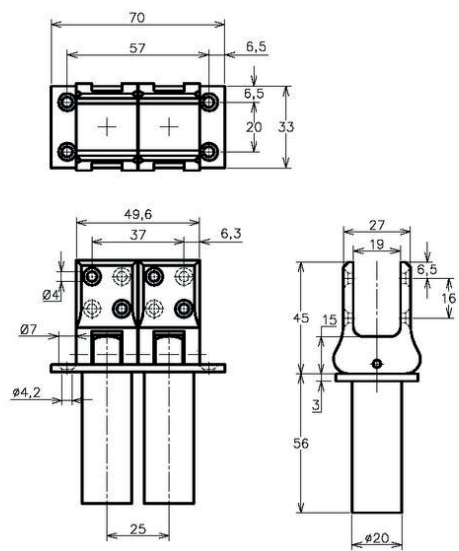
HAWGOOD 4500 D with brass shoe

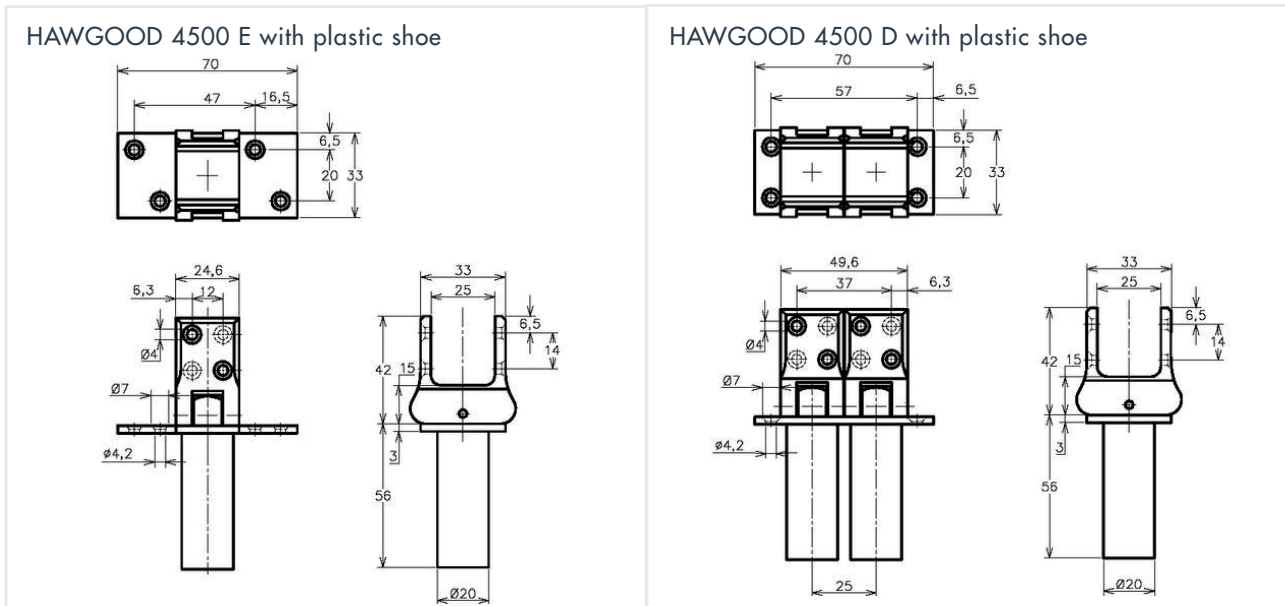


HAWGOOD 4000 E with plastic shoe



HAWGOOD 4000 D with plastic shoe





ORDER INFORMATION

Description	Part no.
HAWGOOD swing door hinge type 4000 E, nickel-plated brass, with hold-open	300350
HAWGOOD swing door hinge type 4000 D, nickel-plated brass, with hold-open	300359
HAWGOOD swing door hinge type 4000 E, brushed brass, with hold-open	300360
HAWGOOD swing door hinge type 4000 D, brushed brass, with hold-open	300361
HAWGOOD swing door hinge type 4000 E, plate zinc-plated, shoe from grey plastics, with hold-open	300350K
HAWGOOD swing door hinge type 4000 D, plate zinc-plated, shoe from grey plastics, with hold-open	300359K
HAWGOOD swing door hinge type 4000 E, plate zinc-plated, shoe from black plastics, with hold-open	301420
HAWGOOD swing door hinge type 4000 D, plate zinc-plated, shoe from black plastics, with hold-open	301421
HAWGOOD swing door hinge type 4000 E, plate stainless steel, shoe from grey plastics, with hold-open	300350KV2A
HAWGOOD swing door hinge type 4000 D, plate stainless steel, shoe from grey plastics, with hold-open	300359KV2A
HAWGOOD swing door hinge type 4500 E, nickel-plated brass, with hold-open	300362
HAWGOOD swing door hinge type 4500 D, nickel-plated brass, with hold-open	300363
HAWGOOD swing door hinge type 4500 E, brushed brass, with hold-open	300364
HAWGOOD swing door hinge type 4500 D, brushed brass, with hold-open	300365
HAWGOOD swing door hinge type 4500 E, plate zinc-plated, shoe from grey plastics, with hold-open	300362K
HAWGOOD swing door hinge type 4500 D, plate zinc-plated, shoe from grey plastics, with hold-open	300363K
HAWGOOD swing door hinge type 4500 E, plate zinc-plated, shoe from black plastics, with hold-open	301422
HAWGOOD swing door hinge type 4500 D, plate zinc-plated, shoe from black plastics, with hold-open	301423
HAWGOOD swing door hinge type 4500 E, plate stainless steel, shoe from grey plastics, with hold-open	300362KV2A
HAWGOOD swing door hinge type 4500 D, plate stainless steel, shoe from grey plastics, with hold-open	300363KV2A