

Swing door hinges HAWGOOD 41 and 42

For doors up to 60 kg, 40 mm thick and 1000 mm wide



Video



Website

CHARACTERISTICS

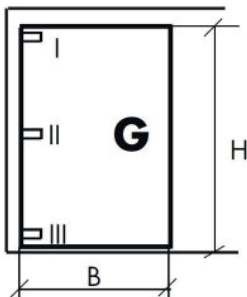
- Designed for larger swing doors
- Types 41 and 42 differ only in their spring force (recognizable by the plastic cover of the spring pin: Type 41 black, Type 42 white)
- When combining types 41 and 42, type 42 must be always placed on top
- Available either with or without hold-open at approx. 90°
- Stainless steel shoe, fixing plate either zinc-plated or stainless steel (ideal for use in the food industry)

SELECTION CRITERIA

Determining the required swing door hinges depends on the size and weight of the door



Questionnaire



$$K = \frac{G \times 1/2 B}{H}$$

Legend:

- K: factor for choosing the type
- G: weight of the door in kg
- H: height of the door in mm
- B: width of the door in mm

1. Calculate factor K by using this formula.
2. Depending on the calculated factor K, look up in the table which type should be installed on top and which on the bottom.
3. You can use up to 4 swing door hinges per door.
4. If your doors are heavier and/or wider than the ones shown on the table, please contact our technical customer service.

K	I	II	III
< 8	1 x 41		1 x 41
8 - 16	1 x 42		1 x 41
16 - 20	1 x 42		1 x 42
20 - 30	1 x 42 + 1 x 41		1 x 42
30 - 50	2 x 42	1 x 41	1 x 42



TECHNICAL DATA

Thickness of the door	40 mm
Door weight	max. 60 kg
Door width	max. 1000 mm
Opening angle	max. 100°
Hold-open	with or without hold-open at about 90°
Material	Stainless steel AISI 304 (shoe), zinc-plated steel (plate); Stainless steel AISI 304 (shoe & plate)

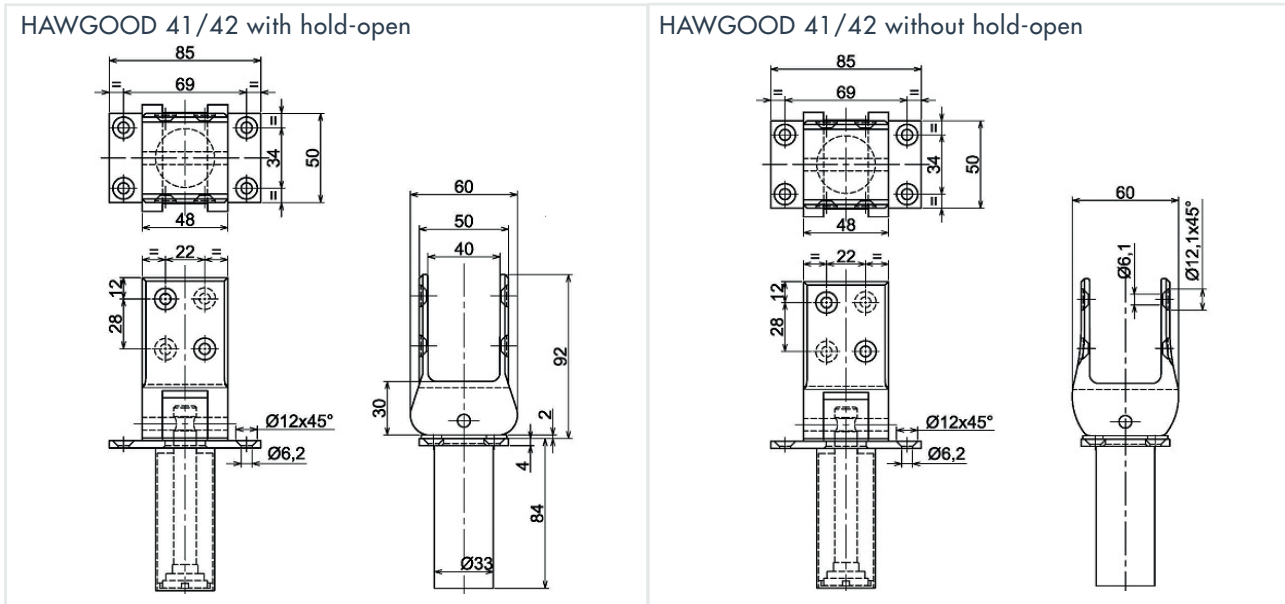
INSTALLATION



Installation instructions

DIMENSIONS

All dimensions in mm



ORDER INFORMATION

Description	Part no.
HAWGOOD swing door hinge type 41, plate zinc-plated, shoe stainless steel, no hold-open	300440
HAWGOOD swing door hinge type 41, plate zinc-plated, shoe stainless steel, with hold-open	300441
HAWGOOD swing door hinge type 41, completely from stainless steel, no hold-open	300442
HAWGOOD swing door hinge type 41, completely from stainless steel, with hold-open	300443
HAWGOOD swing door hinge type 42, plate zinc-plated, shoe stainless steel, no hold-open	300444
HAWGOOD swing door hinge type 42, plate zinc-plated, shoe stainless steel, with hold-open	300445
HAWGOOD swing door hinge type 42, completely from stainless steel, no hold-open	300446
HAWGOOD swing door hinge type 42, completely from stainless steel, with hold-open	300447